



BEKO

Model No: HPS-100

HOME THEATRE SPEAKER SET



Thank you very much for purchasing our product. Please read this instruction manual completely before connecting and operating the machine for best performance and safety.

Contents

1. Contents/Features
2. Precautions
3. Safety Warnings
4. Front Panel Operation
5. Rear Panel Setting
6. Connection with Sound Source and Satellites
7. Operation Instruction
8. Trouble Shooting
9. Specifications

Features

1. 5.1 channel connection to DVD player
2. Compatible with AC-3 & DTS connection
3. Individual Woofer Volume Adjust
4. Master Volume Adjust
5. Ultra slim card-like size remote control
6. Satellites are desk & wall-mountable

Precautions



CAUTION: To reduce the risk of electric shock, do not remove the cover or back. Refer servicing to qualified service personnel.



The lightning flash with arrowhead symbol within an equilateral triangle is intended to alert the user to the presence of uninsulated "dangerous voltage" within the product's enclosure that may be of sufficient magnitude to constitute a risk of electric shock to persons.

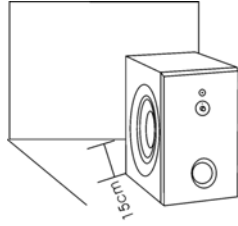


The exclamation point within an equilateral triangle is intended to alert the user to the presence of important operating and maintenance (servicing) instructions in the literature accompanying the appliance.

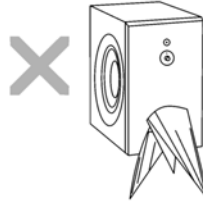
The apparatus should not be exposed to dripping or splashing area. No objects filled with

liquids, such as vases, should be placed on the apparatus.

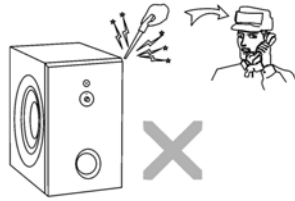
Safety Warnings



Leave 15cm for ventilation.



Do not block the pipe of the subwoofer.



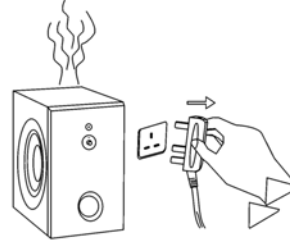
Do not open the cover and do not repair yourself.
Refer servicing to qualified personnel.



Do not function the system when liquid gets into the subwoofer.



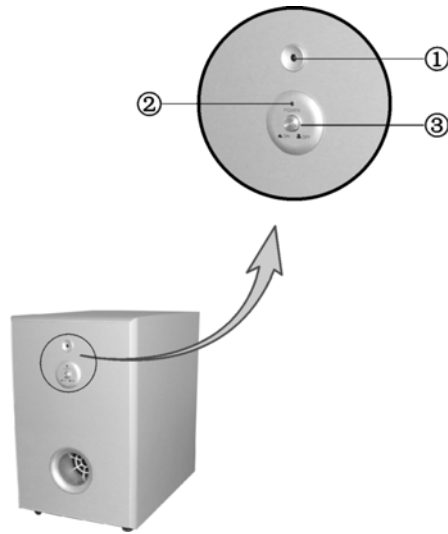
Do not climb on this system.



Pull out the plug while smoke,
particular smell or noise inside.

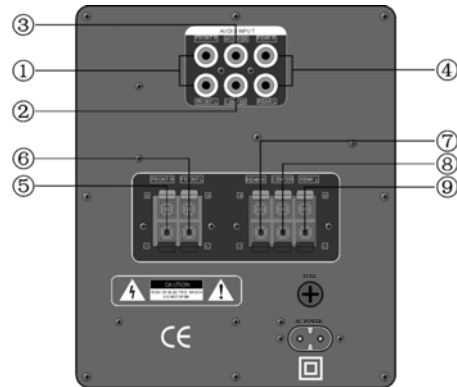
Front panel operation

1. Remote sensor
2. Power LED light
3. Power On/ Off Button



Rear panel setting

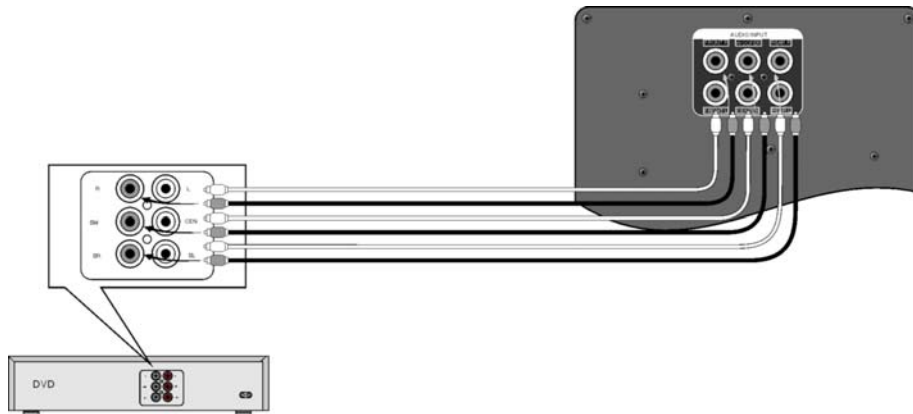
1. Front Left and Right Input terminal
2. Center Input terminal
3. Subwoofer Input terminal
4. Rear Left and Right Input terminal
5. Front Right channel speaker input terminal
6. Front Left channel speaker input terminal
7. Rear right channel speaker input terminal
8. Center channel speaker input terminal



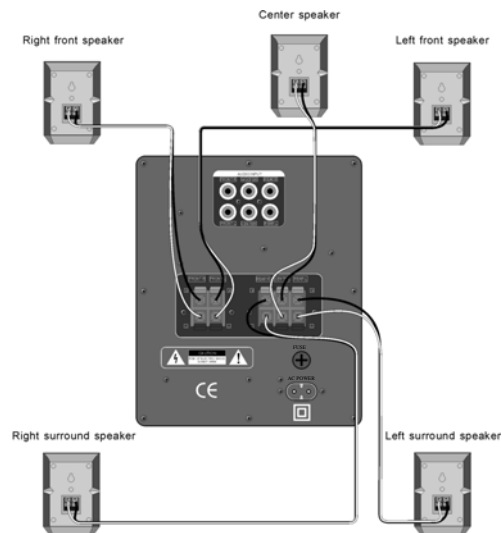
9. Rear left channel speaker input terminal

Connections with sound source and satellites

1. Connection with sound source equipment



2. Connection with satellite speakers



Operation instructions

1. Stereo / 5.1 Mode Selection

For stereo mode, please connect the sound source with Front L and Front R input terminal. This unit is AC-3 and DTS compatible. For 5.1 sound effect, please connect it with 5.1 input terminals.

2. Power On

Front panel operation

Press the Power button and once LED light flickers, this product is connected with power.

3. Master and Woofer Volume adjust

Remote control operation

- ①. Press button of "Master \wedge " or "Master \vee " to increase or decrease the volume of whole speaker system.
- ②. Press button of "Woofer \wedge " or "Woofer \vee " to increase or decrease the volume of whole speaker system.

4. Power off

Front Panel Operation

Press the Power button again and once LED light diminishes, this product is disconnected from power.

Trouble Shooting

Problem	Cause	Solution
No sound	<ul style="list-style-type: none"> ● Improper connection of speaker terminal. ● Improper connection of sound frequency terminal. ● Improper connection of AC plug and the socket. ● Volume is too low. ● The speaker terminal is short-circuited 	<ul style="list-style-type: none"> ● Ensure that the equipment is connected properly. ● Ensure that the sound frequency is connected properly. ● Insert the AC plug securely into the AC outlet. ● Increase the volume with volume controlling button. ● Cut off power, reconnect the speaker, then start the power again.
Sound distortion	<ul style="list-style-type: none"> ● Improper connection of amplifier input terminal. ● The volume is too high. 	<ul style="list-style-type: none"> ● Ensure that the input terminal is connected properly. ● Lower the volume with volume controlling button.
Sound only from one channel	<ul style="list-style-type: none"> ● Improper connection of amplifier input terminal ● Input level is too high 	<ul style="list-style-type: none"> ● Ensure that the input terminal is connected properly ● Adjust the woofer and master volume properly
Remote control fails to work	<ul style="list-style-type: none"> ● The battery has gone off. ● Interference by strong and direct sunlight. 	<ul style="list-style-type: none"> ● Replace with new batteries. ● Keep the sensor away from sunlight.

	<ul style="list-style-type: none">● Obstacle in front of the sensor.	<ul style="list-style-type: none">● Remove the obstacle.
--	--	--

Technical Data

Model No.:

Power/Frequency: 230 V ~50Hz

Watts: Subwoofer: 30W Satellite: 15WX5

Free Manuals Download Website

<http://myh66.com>

<http://usermanuals.us>

<http://www.somanuals.com>

<http://www.4manuals.cc>

<http://www.manual-lib.com>

<http://www.404manual.com>

<http://www.luxmanual.com>

<http://aubethermostatmanual.com>

Golf course search by state

<http://golfingnear.com>

Email search by domain

<http://emailbydomain.com>

Auto manuals search

<http://auto.somanuals.com>

TV manuals search

<http://tv.somanuals.com>