

BELKIN.

AirCast Auto

User Manual

8820tt00529 F4U037/F4U037tt

TABLE OF CONTENTS

Table of Contents	SECTIONS	1	2	3	4	5	6	7
1 Introduction								1
2 Initial Setup								3
3 Daily Use								6
Connecting6
Managing Phone Calls6
Managing Multiple Calls/Call-Waiting7
Managing Music7
Online Audio Services8
Disconnecting8
4 Troubleshooting								9
5 Safety Warnings								10
6 Information								11
7 Tip Sheet for the Button								14

INTRODUCTION

Table of Contents

SECTIONS

1

2

3

4

5

6

7

Features

- Talk hands-free on your iPhone or other *Bluetooth*-enabled phone
- Listen to your iTunes music or other audio files, including Internet radio, from your *Bluetooth*-enabled device wirelessly through your car stereo

INTRODUCTION

Table of Contents

SECTIONS

1

2

3

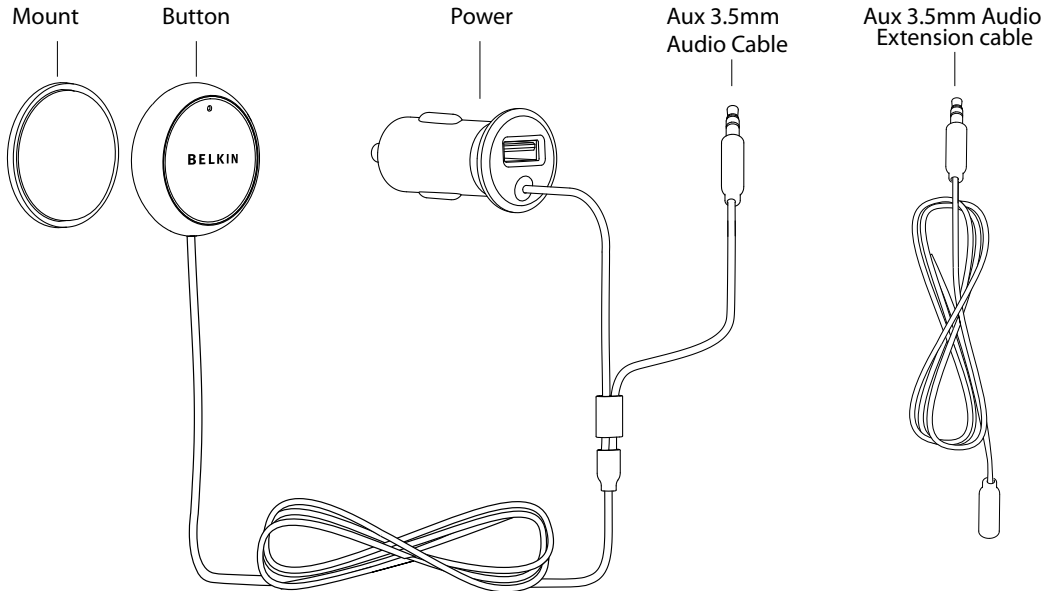
4

5

6

7

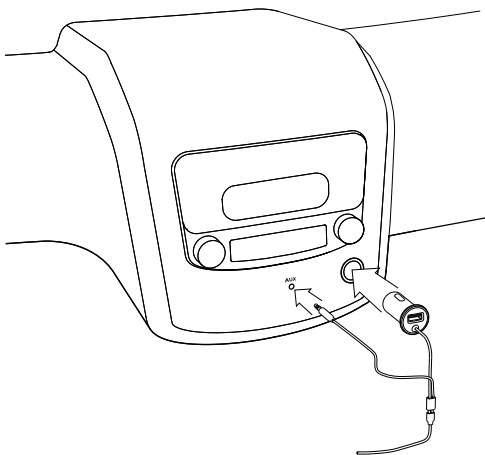
What's in the Box



INITIAL SETUP

Connect to power and AUX:

1. Insert the power plug into your car's 12V power outlet (also known as the cigarette lighter).
2. Insert the audio cable into your car's AUX port. If the cable is too short, use the extension cable included in the package.
3. Turn on your car stereo and set the input source to AUX.

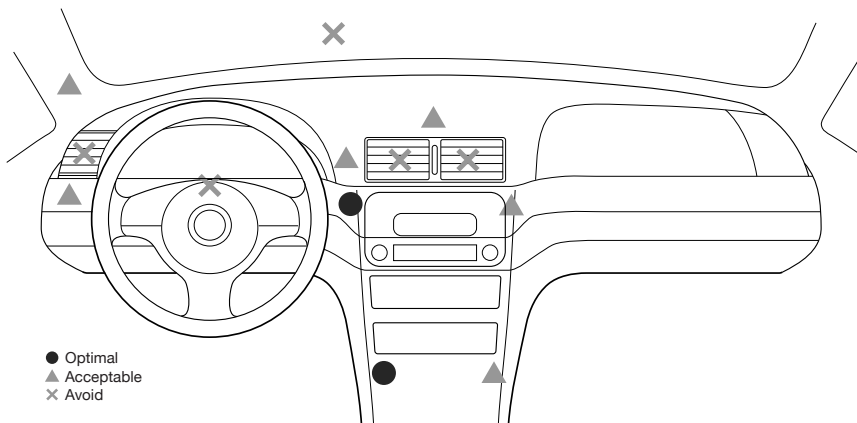


INITIAL SETUP

Place the Button:

1. Find a smooth and flat surface on the dashboard in front of you that is within easy reach but will not interfere with driving. The built-in microphone is housed in the button so it should be as close to your mouth and as directly in front of you as possible. See image for some recommended areas:

2. Make sure the surface is dry and free of dirt.
3. Peel away the back of the mounting disc to expose the adhesive and stick it to the dashboard.
4. The button will magnetically attach to the mounting disc. The button can be easily removed and stored when not in use.



Pair your phone:

1. Press and hold the button until the light ring starts flashing. The button light will briefly turn off before it starts flashing. Do not release the button until it starts flashing.
2. On your phone, go to the *Bluetooth* settings menu.
3. Make sure *Bluetooth* is turned on.
4. On some phones, set your *Bluetooth* to search for new connections.
5. Select the AirCast Auto from the list of accessories.
6. If asked for a pass code, type in "0000".
7. When paired successfully, the light ring will turn solid blue.
8. Some phones may ask if you want to connect. Select "Yes".

Pairing with a different phone:

Only one phone can be paired to the AirCast Auto at any one time. To pair a different phone:

1. Put the AirCast Auto into sleep mode by pressing and holding the button until the light ring turns off, and then immediately let go of the button.
2. Repeat the pairing instructions listed previously.

Connecting

To connect to the AirCast Auto:

1. If you're already on a call or listening to music via a *Bluetooth*[®] headset, turn the headset off so that your phone is free to connect to the AirCast Auto.
2. Turn your car stereo on and set the input source to AUX.
3. Make sure there's power to the AirCast Auto—the light ring will be solid orange.
4. Tap the button and the AirCast Auto will attempt to re-connect with the same phone it last connected to.
5. When successfully connected, the light ring will turn solid blue.
6. If you're already on a call or listening to music, the audio will transfer to your car speakers.

Note: After 10 minutes of inactivity, the AirCast Auto will go into sleep mode and the light ring will turn off. When that happens, tap the button to wake it and it will immediately attempt to connect to the same phone it last connected to.

Managing Phone Calls

Make a call:

- Place calls as you normally do on your phone and the call audio will be heard through your car stereo.

Make a call using voice-dialing:

- If your phone supports voice-dialing, press and hold the button until you hear your phone prompt for a command (about one second).

Answer a call:

- When an incoming call is detected, the light ring will flash blue.
- Tap the button to answer the call and the light ring will return to solid blue.

Managing Multiple Calls/Call-Waiting

Answer a second incoming call:

- Tap the button.

Switch between two calls:

- Tap the button.

End the second call:

- Double-tap the button.

Managing Music

Play:

- Tap the button and your phone will play whatever music was last playing.
- To change the music selection, use the controls on the phone.

To pause/un-pause the music:

- Tap the button and the music will pause.
- If the music is already paused, tapping the button will un-pause it.
- If a call comes in while listening to music, the music will automatically pause.

Skip songs:

- To skip to the next song, double-tap the button.
- This may not work for all phones.

Online Audio Services

If you use audio-streaming services or apps such as Pandora® or iheartradio®, you might be able to use AirCast Auto to enjoy streaming audio through your car stereo. If the sound comes out of your phone instead of the car speakers:

1. Check to make sure the phone is connected to the AirCast Auto.
2. Check the service or app setting to make sure the *Bluetooth* option is enabled and the sound output is set to *Bluetooth*.

Disconnecting

To disconnect from the AirCast Auto, press and hold the button until the light ring goes off, and then immediately release the button.

Note: If you're on a call, the audio will transfer back to the phone after a few seconds. If you're listening to music, depending on the phone, the music will pause or continue playing with the sound coming out of your phone.

TROUBLESHOOTING

You can quickly solve most problems with your AirCast Auto by following the advice in this section.

The audio is not coming out of the stereo speakers.

Solutions:

- Make sure both the car stereo and the AirCast Auto are powered on.
- Make sure the audio cable is correctly and firmly connected to the aux-in jack of your vehicle.
- Make sure your car stereo is set to the AUX input setting.
- Make sure the stereo volume is set to a comfortable listening level.
- Make sure that your iPhone, iPod touch, or other *Bluetooth*-enabled device is connected via *Bluetooth* to the AirCast Auto.

SAFETY WARNINGS

Your AirCast Auto requires full concentration and both hands to install. **Do not attempt to connect your AirCast Auto while driving. Do not attempt to adjust or retrieve an unsecured AirCast Auto while driving.** Adjust the position of your AirCast Auto so that it does not interfere with any of the operating controls of the vehicle or your view of the road.

Do not use this apparatus near water (for example, a bath tub, wash bowl, kitchen sink, laundry tub, wet basement, swimming pool, or other areas located near water).

Unplug this product from the cigarette lighter or power outlet before cleaning. Clean only with a dry cloth.

Unplug this apparatus when unused for long periods of time.

Only use attachments/accessories specified by the manufacturer.

Belkin does not assume any responsibility for personal injury or property damage incurred due to hazardous driving as a result of interaction with the AirCast Auto, iPhone, iPod, or other *Bluetooth*-enabled device.

INFORMATION

FCC Statement

This device complies with part 15 of the FCC Rules. Operation is subject to the following two conditions:

- (1) this device may not cause harmful interference, and
- (2) this device must accept any interference received, including interference that may cause undesired operation.

This equipment has been tested and found to comply with the limits for a Class B digital device, pursuant to part 15 of the FCC Rules. These limits are designed to provide reasonable protection against harmful interference in a residential installation. This equipment generates, uses, and can radiate radio frequency energy and, if not installed and used in accordance with the instructions, may cause harmful interference to radio communications. However, there is no guarantee that interference will not occur in a particular installation. If this equipment does cause harmful interference to radio or television reception, which can be determined by turning the equipment off and on, the user is encouraged to try to correct the interference by one of the following measures:

- Reorient or relocate the receiving antenna.
- Increase the separation between the equipment and receiver.
- Connect the equipment into an outlet on a circuit different from that which the receiver is connected.
- Consult the dealer or an experienced radio/TV technician for help.

Belkin International, Inc., is not responsible for any interference caused by unauthorized modifications to this equipment. Such modifications could void the user's authority to operate this equipment.

FCC Caution: Any changes or modifications not expressly approved by the party responsible for compliance could void the user's authority to operate this equipment.

ICES

This Class B digital apparatus complies with Canadian ICES-003.

IC

This Class B digital apparatus complies with Canada RSS-210.

Europe – EU Declaration of Conformity

This device complies with the essential requirements of the R&TTE Directive 1999/5/EC, the EMC Directive 2004/108/EC, and the low-voltage Directive 2006/95/EC. A copy of the European Union CE marking "Declaration of Conformity" may be obtained at the website: www.belkin.com/doc



Belkin International, Inc., Limited 1-Year Product Warranty

What this warranty covers.

Belkin International, Inc. ("Belkin") warrants to the original purchaser of this Belkin product that the product shall be free of defects in design, assembly, material, or workmanship.

What the period of coverage is.

Belkin warrants the Belkin product for one year.

What will we do to correct problems?

Product Warranty.

Belkin will repair or replace, at its option, any defective product free of charge (except for shipping charges for the product). Belkin reserves the right to discontinue any of its products without notice, and disclaims any limited warranty to repair or replace any such discontinued products. In the event that Belkin is unable to repair or replace the product (for example, because it has been discontinued), Belkin will offer either a refund or a credit toward the purchase of another product from Belkin.com in an amount equal to the purchase price of the product as evidenced on the original purchase receipt as discounted by its natural use.

What is not covered by this warranty?

All above warranties are null and void if the Belkin product is not provided to Belkin for inspection upon Belkin's request at the sole expense of the purchaser, or if Belkin determines that the Belkin product has been improperly installed, altered in any way, or tampered with.

The Belkin Product Warranty does not protect against acts of God such as flood, lightning, earthquake, war, vandalism, theft, normal-use wear and tear, erosion, depletion, obsolescence, abuse, damage due to low voltage disturbances (i.e. brownouts or sags), non-authorized program, or system equipment modification or alteration.

How to get service.

To get service for your Belkin product you must take the following steps:

1. Contact Belkin International, Inc., at 12045 E. Waterfront Drive, Playa Vista, CA 90094, Attn: Customer Service, or call (800)-223-5546, within 15 days of the Occurrence.
Be prepared to provide the following information:
 - a. The part number of the Belkin product.
 - b. Where you purchased the product.
 - c. When you purchased the product.
 - d. Copy of original receipt.
2. Your Belkin Customer Service Representative will then instruct you on how to forward your receipt and Belkin product and how to proceed with your claim.

Table of Contents	SECTIONS	1	2	3	4	5	6	7
-------------------	----------	---	---	---	---	---	---	---

Belkin reserves the right to review the damaged Belkin product. All costs of shipping the Belkin product to Belkin for inspection shall be borne solely by the purchaser. If Belkin determines, in its sole discretion, that it is impractical to ship the damaged equipment to Belkin, Belkin may designate, in its sole discretion, an equipment repair facility to inspect and estimate the cost to repair such equipment. The cost, if any, of shipping the equipment to and from such repair facility and of such estimate shall be borne solely by the purchaser. Damaged equipment must remain available for inspection until the claim is finalized. Whenever claims are settled, Belkin reserves the right to be subrogated under any existing insurance policies the purchaser may have.

How state law relates to the warranty.

THIS WARRANTY CONTAINS THE SOLE WARRANTY OF BELKIN. THERE ARE NO OTHER WARRANTIES, EXPRESSED OR, EXCEPT AS REQUIRED BY LAW, IMPLIED, INCLUDING THE IMPLIED WARRANTY OR CONDITION OF QUALITY, MERCHANTABILITY OR FITNESS FOR A PARTICULAR PURPOSE, AND SUCH IMPLIED WARRANTIES, IF ANY, ARE LIMITED IN DURATION TO THE TERM OF THIS WARRANTY.

Some states do not allow limitations on how long an implied warranty lasts, so the above limitations may not apply to you.

IN NO EVENT SHALL BELKIN BE LIABLE FOR INCIDENTAL, SPECIAL, DIRECT, INDIRECT, CONSEQUENTIAL OR MULTIPLE DAMAGES SUCH AS, BUT NOT LIMITED TO, LOST BUSINESS OR PROFITS ARISING OUT OF THE SALE OR USE OF ANY BELKIN PRODUCT, EVEN IF ADVISED OF THE POSSIBILITY OF SUCH DAMAGES.

This warranty gives you specific legal rights, and you may also have other rights, which may vary from state to state. Some states do not allow the exclusion or limitation of incidental, consequential, or other damages, so the above limitations may not apply to you.

TIP SHEET FOR THE BUTTON

This page can be removed from the manual and placed in your car for easy reference.

Function

Steps

Pairing	Press and hold the button until the light ring flashes orange. The light will briefly turn off before flashing. Do not release until the light starts flashing.
Connect/transfer audio to the car	Tap the button
Disconnect/transfer audio to phone	Press and hold until the light ring turns off Release the button immediately after the light ring turns off
Answer a call	Tap the button
End a call	Tap the button
Answer a 2nd call	Tap the button
Switch between 2 calls	Tap the button
End 2nd call, resume 1st call	Double-tap the button
Initiate voice-dialing	Press and hold until voice prompt
Pause/un-pause music	Tap the button (may not work on all phones)
Skip songs	Double-tap the button (may not work on all phones)
Initiate voice-dialing	Press and hold until phone prompts for a voice command

What the light ring on the button means:

Orange – Not flashing	Powered but not connected
Orange – Flashing	In Pairing mode
Blue – Not flashing	Paired and connected
Blue – Flashing	Incoming call

BELKIN.

AirCast Auto

Guide d'utilisation

8820tt00529 F4U037/F4U037tt

TABLE DES MATIÈRES

Table des matières	SECTIONS	1	2	3	4	5	6	7
1 Introduction		1						
2 Configuration initiale.		3						
3 Utilisation quotidienne		6						
Connexion6						
Gestion des appels téléphoniques.....		.6						
Gestion d'appels multiples/Appel en attente.....		.7						
Gestion de la musique7						
Services audio en ligne.....		.8						
Déconnexion8						
					4 Dépannage			9
					5 Consignes de sécurité			10
					6 Information			11
					7 Fonctions associées au bouton.			14

INTRODUCTION

Caractéristiques

- Parlez en mode Mains libres sur votre iPhone ou autre téléphone doté de la technologie *Bluetooth*
- Écoutez votre musique iTunes ou autres fichiers audio, y compris la radio Internet, à partir de votre appareil *Bluetooth* en utilisant le système stéréo de votre voiture

INTRODUCTION

Table des matières

SECTIONS

1

2

3

4

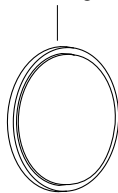
5

6

7

Contenu de la boîte

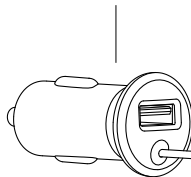
Disque de montage



Bouton



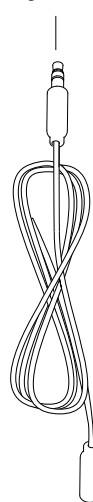
Alimentation



Câble audio Aux de 3,5 mm



Câble audio Aux de rallonge de 3,5 mm

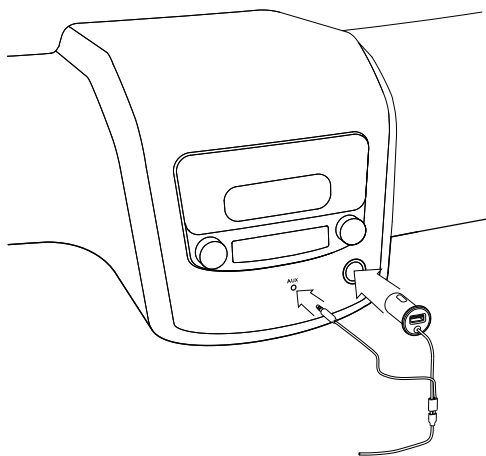


CONFIGURATION INITIALE

Insérez dans la prise de courant et le port AUX :

1. Insérez la fiche d'alimentation dans la prise de courant 12 V de votre voiture (également connue sous le nom d'allume-cigarette).

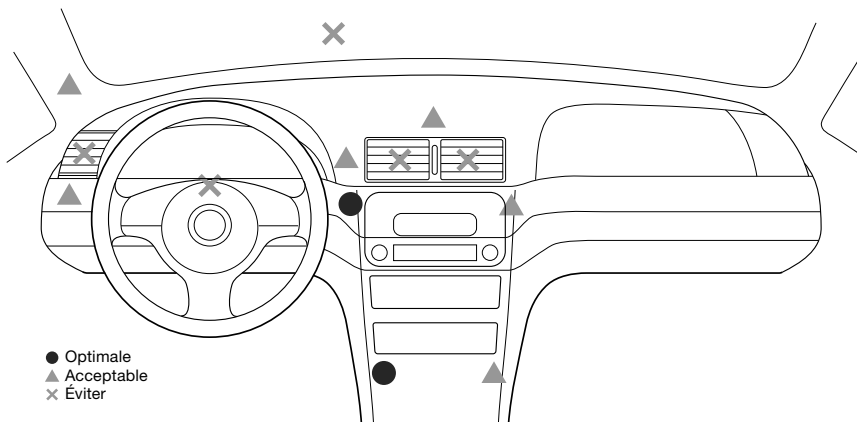
2. Insérez le câble audio dans le port AUX de votre voiture. S'il est trop court, utilisez le câble de rallonge fourni.
3. Allumez votre chaîne stéréo, puis réglez la source d'entrée audio sur AUX.



CONFIGURATION INITIALE

Placez le Bouton :

1. Repérez une surface lisse et plate sur le tableau de bord devant vous, facile d'accès mais qui ne risque pas de gêner votre conduite. Comme le microphone est intégré au bouton, placez-le le plus près possible de votre bouche, directement devant vous. Voir les endroits recommandés sur l'illustration :
2. Assurez-vous que la surface est sèche et exempte de saletés.
3. Détachez la pellicule à l'arrière du disque de montage pour exposer la surface adhésive, puis collez-la sur le tableau de bord.
4. Le bouton se fixera magnétiquement sur le disque de montage. Vous pouvez facilement l'enlever pour le ranger ailleurs lorsque vous ne l'utilisez pas.



Couplage de votre téléphone :

1. Appuyez sur le Bouton et maintenez-le enfoncé jusqu'à ce que l'anneau lumineux commence à clignoter. Il s'éteindra brièvement avant de clignoter. Ne relâchez pas le bouton avant qu'il n'ait commencé à clignoter.
2. Sur votre téléphone, affichez le menu de paramétrage *Bluetooth*.
3. Assurez-vous que votre *Bluetooth* est allumé.
4. Sur certains téléphones, configurez votre *Bluetooth* de façon à ce qu'il cherche de nouvelles connexions.
5. Sélectionnez AirCast Auto dans la liste des accessoires.
6. Si on vous demande un code de passe, tapez « 0000 ».
7. Une fois le couplage réussi, l'anneau lumineux s'allume en bleu (fixe).
8. Certains téléphones vous demanderont si vous voulez vous connecter. Sélectionnez « Oui ».

Couplage avec un autre téléphone :

Une seul téléphone peut être couplé à AirCast Auto à la fois. Pour le coupler à un autre téléphone :

1. Mettez AirCast Auto en mode Sommeil en appuyant sur le bouton et en le maintenant enfoncé jusqu'à ce que l'anneau lumineux s'éteigne, puis relâchez-le immédiatement.
2. Refaites les étapes de couplage indiquées précédemment.

Connexion

Pour vous connecter à AirCast Auto :

1. Si vous êtes déjà au téléphone ou en train d'écouter de la musique via un casque *Bluetooth*[®], éteignez votre casque pour permettre à votre téléphone de se connecter à AirCast Auto.
2. Allumez votre chaîne stéréo, puis réglez la source d'entrée audio sur « AUX ».
3. Assurez-vous que AirCast Auto est alimenté en courant—l'anneau lumineux devrait être de couleur orange (fixe).
4. Toquer le bouton : AirCast Auto essaiera de se connecter au même téléphone que la dernière fois.
5. Lorsque la connexion est établie, l'anneau lumineux s'allume en bleu (fixe).
6. Si vous êtes déjà au téléphone ou en train d'écouter de la musique, la fonction audio se transférera sur les haut-parleurs de votre voiture.

Note : Après 10 minutes d'inactivité, AirCast Auto passera en mode Sommeil et l'anneau lumineux s'éteindra. Lorsque cela se produit, touchez le bouton pour le réveiller : AirCast Auto essaiera aussitôt de se connecter au même téléphone que la dernière fois.

Gestion des appels téléphoniques

Pour faire un appel :

- Faites vos appels comme vous le feriez normalement sur votre téléphone; vous entendrez votre interlocuteur sur la chaîne stéréo de votre voiture.

Pour faire un appel en utilisant la composition vocale :

- Si votre téléphone prend en charge la composition vocale, appuyez sur le bouton et maintenez-le enfoncé jusqu'à ce que vous entendiez une invite vocale (environ une seconde).

Pour répondre à un appel :

- Dès qu'un appel entrant est détecté, l'anneau lumineux clignote en bleu.
- Touchez le bouton pour répondre à un appel – l'anneau lumineux passera au bleu fixe.

Gestion d'appels multiples/Appel en attente

Pour répondre à un deuxième appel entrant :

- Toquez le bouton.

Pour alterner entre deux appels :

- Toquez le bouton.

Pour mettre fin au deuxième appel :

- Toquez deux fois le bouton.

Gestion de la musique

Pour faire l'écoute :

- Toquez le bouton : votre téléphone fera entendre la musique qui jouait la dernière fois.
- Pour changer de choix musical, utilisez les commandes sur le téléphone.

Pour faire une pause ou annuler une pause :

- Toquez le bouton : la musique marquera une pause.
- Si la musique était déjà en pause, toquez le bouton pour annuler la pause.
- Si vous recevez un appel pendant que vous écoutez de la musique, celle-ci fera automatiquement une pause.

Pour sauter des chansons :

- Pour passer à la chanson suivante, toquez deux fois le bouton.
- Cependant, cela pourrait ne pas fonctionner sur tous les téléphones.

Services audio en ligne

Si vous utilisez des services de lecture audio en transit comme Pandora® ou iheartradio®, il se pourrait que vous puissiez utiliser AirCast Auto pour en profiter à partir de la chaîne stéréo de votre voiture. Si le son provient de votre téléphone plutôt que des haut-parleurs de votre voiture :

1. Assurez-vous que le téléphone est branché sur AirCast Auto.
2. Vérifiez les réglages du service ou de l'application pour vous assurer que l'option *Bluetooth* est activée et que la sortie du son est réglée sur *Bluetooth*.

Déconnexion

Pour vous déconnecter d'AirCast Auto, appuyez sur le bouton et maintenez-le enfoncé jusqu'à ce que l'anneau lumineux s'éteigne, puis relâchez-le aussitôt.

Note : Si vous êtes déjà au téléphone, la fonction audio reviendra au téléphone après quelques secondes. Si vous êtes en train d'écouter de la musique, selon le téléphone que vous utilisez, la musique marquera une pause ou continuera à jouer à partir de votre téléphone.

DÉPANNAGE

Vous pouvez rapidement résoudre la plupart des problèmes de votre AirCast Auto en suivant les conseils donnés dans cette section.

Aucun son ne sort des haut-parleurs stéréo.

Solutions :

- Assurez-vous que la chaîne stéréo de la voiture et votre AirCast Auto sont allumés.
- Assurez-vous que le câble audio est branché correctement sur la prise d'entrée AUX de votre véhicule.
- Assurez-vous que votre chaîne stéréo est réglée sur l'entrée AUX.
- Assurez-vous que le volume de la chaîne stéréo est réglé à un niveau d'écoute confortable.
- Assurez-vous que votre iPhone, iPod touch ou autre dispositif ou appareil *Bluetooth* est connecté via *Bluetooth* à AirCast Auto.

CONSIGNES DE SÉCURITÉ

Vous avez besoin de vos deux mains et de toute votre concentration pour installer AirCast Auto. **N'essayez pas de brancher votre AirCast Auto pendant que vous conduisez. N'essayez pas de régler ou de retirer votre AirCast Auto qui serait mal fixé pendant que vous conduisez.** Ajustez la position de votre AirCast Auto de façon qu'il ne gêne pas vos manœuvres au volant ou votre champ de vision sur la route.

N'utilisez pas cet appareil près de l'eau (p. ex. près d'une baignoire, d'un bac de lavage, d'un évier de cuisine, d'une cuve de lessivage, d'un sous-sol humide, d'une piscine ou de tout autre endroit situé près de l'eau).

Débranchez ce produit de l'allume-cigarette ou de la prise murale avant de le nettoyer. Nettoyer uniquement avec un chiffon sec.

Débranchez cet appareil si vous ne prévoyez pas l'utiliser pendant une période prolongée.

N'utilisez que les accessoires indiqués par le fabricant.

Belkin n'assume aucune responsabilité pour les blessures corporelles ou les dommages matériels attribuables à une conduite dangereuse résultant de l'interaction avec AirCast Auto, iPhone, iPod ou tout autre dispositif ou appareil *Bluetooth*.

INFORMATION

Déclaration FCC

Cet appareil répond aux exigences de l'alinéa 15 de la réglementation FCC. Le fonctionnement est assujéti aux deux conditions suivantes :

- (1) cet appareil ne peut pas provoquer d'interférence nuisible et
- (2) ce dispositif doit accepter toute interférence reçue, y compris des interférences pouvant entraîner un fonctionnement non désiré.

L'appareil a été testé et satisfait aux limites de la classe B des appareils numériques, conformément à la partie 15 de la réglementation FCC. Ces limites visent à assurer une protection raisonnable contre les interférences en milieu résidentiel. Cet appareil génère, utilise et peut émettre de l'énergie radioélectrique et s'il n'est pas installé et utilisé selon les directives, peut causer des interférences nuisibles aux communications radio. Cependant, il n'existe aucune garantie que des interférences ne se produiront pas dans une installation particulière. Si cet équipement cause des interférences nuisibles sur le plan de la réception radio ou télévision, pouvant être déterminées en mettant l'appareil sous et hors tension, l'utilisateur est invité à tester et à corriger l'interférence en prenant une des mesures suivantes :

- Réorienter ou changer la position de l'antenne réceptrice.
- Augmenter la distance entre l'équipement et le récepteur.
- Brancher l'équipement sur une prise de courant appartenant à un circuit différent de celui sur lequel est branché le récepteur.
- Demander l'assistance du fournisseur ou d'un technicien de télé ou de radio expérimenté.

Belkin International, Inc. n'est pas responsable des interférences résultant de modifications non autorisées apportées à cet équipement.

De telles modifications peuvent rendre nulle l'autorisation accordée aux utilisateurs de se servir de cet équipement.

Mise en garde de la FCC : Toute modification qui n'a pas été expressément approuvée par la partie responsable des questions de conformité pourrait annuler le droit de l'utilisateur de se servir de cet équipement.

ICES

Ce périphérique numérique de classe B est conforme à la norme canadienne NMB-003.

IC

Cet appareil numérique de classe B est conforme à la norme CNR-210 du Canada.

Europe – Déclaration de conformité CE

Cet appareil répond aux exigences essentielles des directives R&TTE 1999/5/EC et EMC 2004/108/EC et à la directive 2006/95/EC sur les appareils basse tension. Vous pouvez obtenir une copie du marquage CE de la « Déclaration de conformité » de l'Union européenne en vous rendant sur le site Web suivant : www.belkin.com/doc



Garantie limitée d'un (1) an de Belkin International, Inc. sur le produit

Portée de la garantie

Belkin International, Inc. (« Belkin ») garantit à l'acheteur initial que ce produit Belkin sera exempt de tout défaut de conception, d'assemblage, de matériau et de fabrication.

Durée de la garantie

Belkin garantit le produit Belkin pendant une période d'un an.

Que ferons-nous en cas de problème?

Garantie sur le produit

Belkin réparera ou remplacera, à son gré et sans frais, tout produit défectueux (les frais d'expédition ne sont cependant pas compris). Belkin se réserve le droit d'abandonner la fabrication de ses produits sans préavis et rejette toute garantie limitée concernant la réparation ou le remplacement de tels produits. Advenant que Belkin soit incapable de réparer ou de remplacer le produit (parce qu'il en a abandonné la fabrication, par exemple), Belkin offrira soit un remboursement, soit un crédit applicable à l'achat d'un autre produit sur le site Belkin.com d'un montant égal au prix d'achat du produit, attestée par le reçu d'achat initial et actualisé en fonction de l'usure normale.

Qu'est-ce que la présente garantie ne couvre pas?

Toutes les garanties ci-dessus sont nulles et non avenues si le produit Belkin n'est pas expédié à Belkin pour inspection, à sa demande mais aux frais de l'acheteur, ou si Belkin s'aperçoit que le produit a été mal installé, modifié ou altéré de quelque façon.

La garantie Belkin sur le produit ne s'applique pas aux cas de force majeure tels que tremblement de terre, inondation, foudre, guerre, vandalisme, vol, usure normale, érosion, épuisement, obsolescence, abus, dommages causés par des perturbations de tension, programme non autorisé ou modification de système ou d'équipement.

Pour obtenir de l'assistance

Marche à suivre pour obtenir de l'assistance concernant votre produit Belkin :

1. Communiquez avec Belkin International, Inc., au 12045 E. Waterfront Drive, Playa Vista, CA 90094, à l'attention du Service à la clientèle, ou composez le 1 800 223-5546, dans les 15 jours suivant l'événement. Soyez prêt à fournir les renseignements suivants :
 - a. Numéro de produit Belkin.
 - b. Lieu d'achat du produit.
 - c. Date d'achat du produit.
 - d. Copie du reçu d'origine.
2. Le représentant du Service à la clientèle Belkin vous indiquera alors la marche à suivre pour retourner le produit Belkin accompagné du reçu et pour faire votre réclamation.

Belkin se réserve le droit d'examiner le produit endommagé. Tous les coûts d'expédition du produit Belkin aux fins d'inspection seront entièrement assumés par l'acheteur. Si Belkin détermine, à son entière discrétion, qu'il est peu pratique de lui expédier l'équipement endommagé, Belkin peut désigner, à son entière discrétion, un atelier de réparation pour inspecter l'équipement et évaluer les coûts de réparation. Les coûts, le cas échéant, relatifs à l'expédition de l'équipement jusqu'à l'atelier de réparation et au retour, ainsi qu'à l'estimation, seront entièrement assumés par l'acheteur. L'équipement endommagé doit être disponible aux fins d'inspection jusqu'à ce que la demande de réclamation soit réglée. Lorsqu'un règlement intervient, Belkin se réserve le droit d'être subrogé en vertu de quelque police d'assurance que l'acheteur pourrait avoir.

Rapport entre la loi des États et la présente garantie

CETTE GARANTIE CONTIENT LA GARANTIE EXCLUSIVE DE BELKIN. IL N'Y A PAS D'AUTRE GARANTIE EXPRESSE OU, SAUF DANS LES CAS EXIGÉS PAR LA LOI, IMPLICITE, Y COMPRIS DE GARANTIE IMPLICITE OU CONDITION DE QUALITÉ OU DE CONFORMITÉ À UN USAGE PARTICULIER. DE TELLES GARANTIES IMPLICITES, S'IL EN EST, SONT LIMITÉES À LA DURÉE DE LA PRÉSENTE GARANTIE.

Certains États n'autorisent pas de limite quant à la durée d'une garantie implicite; il se pourrait donc que les limites indiquées ci-dessus ne s'appliquent pas dans votre cas.

EN AUCUN CAS BELKIN NE SERA RESPONSABLE DE QUELQUES DOMMAGES-INTÉRÊTS POUR CAUSE DIRECTE, INDIRECTE, SPÉCIALE, FORTUITE OU MULTIPLE, NOTAMMENT MAIS NON EXCLUSIVEMENT, PERTE D'OCCASIONS D'AFFAIRES OU DE PROFITS DÉCOULANT DE LA VENTE OU DE L'UTILISATION DE TOUT PRODUIT BELKIN, MÊME SI ELLE ÉTAIT INFORMÉE DE LA POSSIBILITÉ DE TELS DOMMAGES.

Cette garantie vous confère des droits légaux spécifiques, et vous pouvez aussi avoir d'autres droits pouvant varier d'un état à l'autre. Certains états ne permettent pas l'exclusion ou la limitation des dommages-intérêts pour une cause indirecte, fortuite ou autre; il se pourrait donc que les limites indiquées ci-dessus ne s'appliquent pas dans votre cas.

FONCTIONS ASSOCIÉES AU BOUTON

Vous pouvez retirer cette page du manuel et la laisser dans votre voiture comme référence.

Fonction

Étapes

Couplage	Appuyez sur le Bouton et maintenez-le enfoncé jusqu'à ce que l'anneau lumineux commence à clignoter de couleur orange. Il s'éteindra brièvement avant de clignoter. Ne relâchez pas le bouton avant qu'il n'ait commencé à clignoter.
Connexion/transfert audio vers la chaîne stéréo de la voiture	Toquez le bouton
Déconnexion/transfert audio vers le téléphone	Appuyez sur le bouton et maintenez-le enfoncé jusqu'à ce que le témoin lumineux s'éteigne Relâchez le bouton dès que le lumineux s'éteint
Pour répondre à un appel	Toquez le bouton
Pour mettre fin à un appel	Toquez le bouton
Pour répondre à un deuxième appel	Toquez le bouton
Pour alterner entre deux appels	Toquez le bouton
Pour mettre fin au deuxième appel et revenir au premier	Toquez deux fois le bouton
Pour amorcer la composition vocale	Appuyez sur le bouton et maintenez-le enfoncé jusqu'à ce que vous entendiez une invite vocale
Pour faire une pause ou annuler une pause	Toquez le bouton (pourrait ne pas fonctionner sur certains téléphones)
Pour sauter des chansons	Toquez deux fois le bouton (pourrait ne pas fonctionner sur certains téléphones)
Pour amorcer la composition vocale	Appuyez sur le bouton et maintenez-le enfoncé jusqu'à ce que vous entendiez une invite vocale

Ce que signifie l'anneau lumineux sur le bouton :

Orange (non clignotant)	Sous tension mais non connecté
Orange (clignotant)	En mode couplage
Bleu (non clignotant)	Couplé et connecté
Bleu (clignotant)	Arrivée d'un appel

BELKIN.

AirCast Auto

Manual del usuario

8820tt00529 F4U037/F4U037tt

ÍNDICE

Índice	SECCIONES	1	2	3	4	5	6	7
1	Introducción	5						
2	Instalación inicial	6						
3	Uso diario	6						
	Conectando	6						
	Para hacer y recibir llamadas	6						
	Cómo manejar múltiples llamadas o llamadas en espera	7						
	Cómo manejar su música	7						
	Servicios de audio en línea	8						
	Desconexión	8						
4	Resolución de problemas	9						
5	Advertencias de seguridad	10						
6	Información	11						
7	Instrucciones para el uso del botón	14						

INTRODUCCIÓN

Índice

SECCIONES

1

2

3

4

5

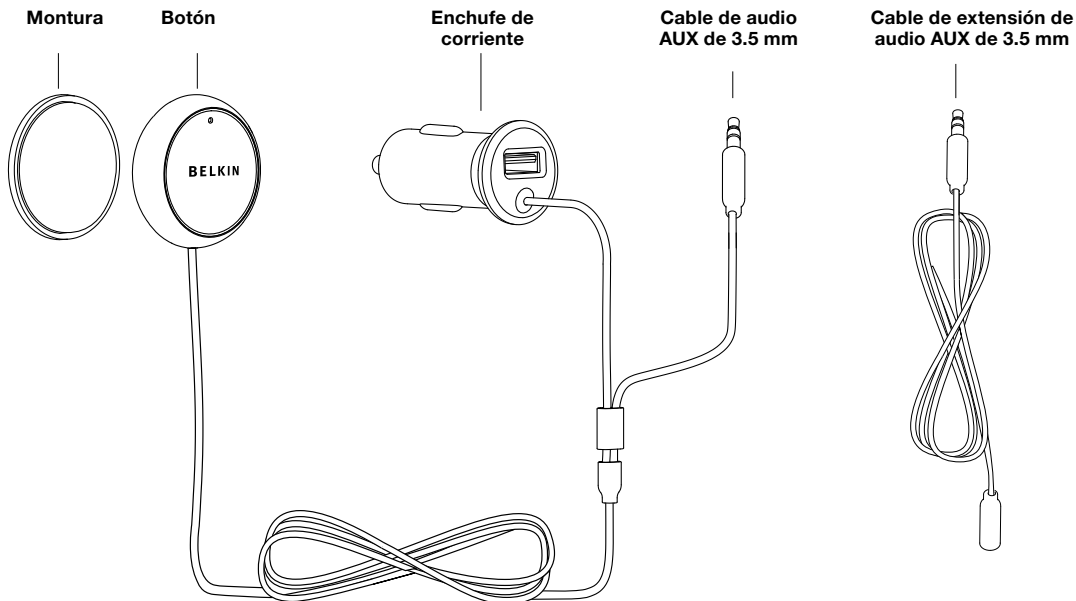
6

7

Funciones

- Para hablar a manos libres en su iPhone u otro teléfono habilitado con *Bluetooth*
- Escuche su música de iTunes u otros archivos de audio, incluyendo radio por Internet, desde su dispositivo habilitado con *Bluetooth* a través del estéreo de su auto de manera inalámbrica

Contenido de la caja



INSTALACIÓN INICIAL

Índice

SECCIONES

1

2

3

4

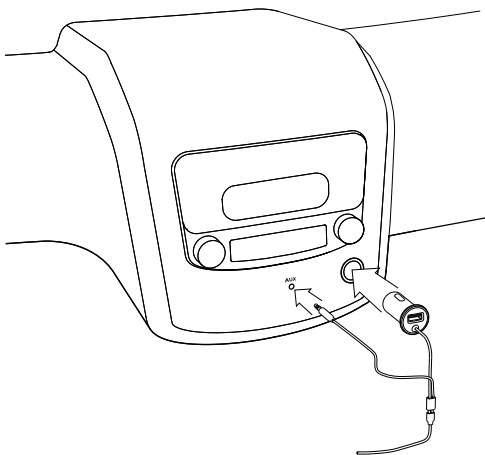
5

6

7

Conecte a la corriente y a AUX:

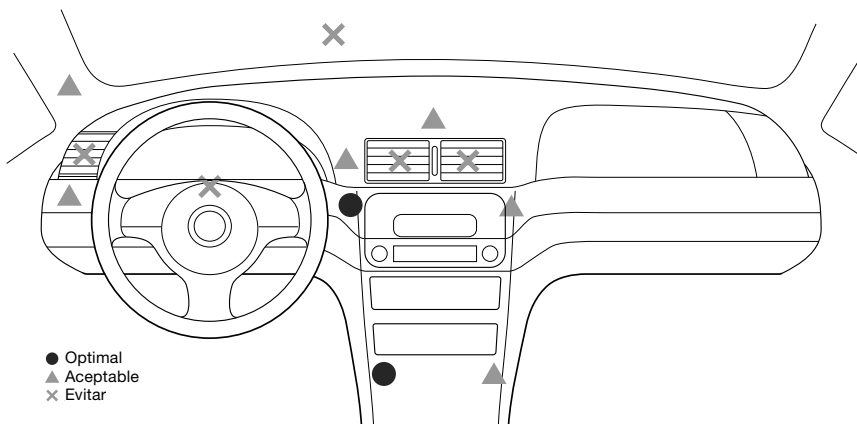
1. Conecte el enchufe de corriente a la salida de corriente de 12 V de su auto (encendedor de cigarrillos)
2. Conecte el cable de audio al puerto AUX del auto. Si el cable es demasiado corto, use el cable de extensión que viene incluido en el paquete.
3. Encienda el estéreo de su auto y configure la fuente de audio a AUX.



Coloque el botón:

1. Encuentre una superficie plana y lisa en tablero frente a usted de tal manera que pueda alcanzarlo fácilmente pero que no interfiera con su habilidad para manejar. El micrófono integrado se ubica en el botón, así que debe colocarlo directamente frente a usted y lo más cercano posible de su boca. Vea la imagen para las áreas recomendadas.

2. Asegúrese que la superficie esté limpia y seca.
3. Desprenda la película protectora de la parte trasera del disco de montaje para exponer el adhesivo y péguelo al tablero.
4. El botón se adhiere magnéticamente al disco de montaje. El botón se puede quitar fácilmente para almacenarlo cuando no está en uso.



Para aparear su teléfono:

1. Oprima el botón hasta que el anillo de luz comience a parpadear. La luz del botón se apagará momentáneamente antes de comenzar a parpadear. No suelte el botón hasta que comience a parpadear.
2. En el teléfono, vaya al menú de configuraciones del *Bluetooth*.
3. Asegúrese que *Bluetooth* esté encendido.
4. En algunos teléfonos, configure el *Bluetooth* para buscar nuevas conexiones.
5. Seleccione AirCast Auto de la lista de accesorios.
6. Si se le pide una contraseña, ingrese "0000".
7. Cuando logre el apareo, el anillo de luz se prenderá en color azul sólido.
8. Tal vez algunos teléfonos le pregunten si quiere conectarse. Seleccione "Yes" (Sí).

Para aparearlo con un teléfono diferente:

Sólo se puede aparear un teléfono a la vez con el AirCast para auto. Para aparearlo con un teléfono diferente:

1. Oprima el botón hasta que el anillo de luz se apague para poner el AirCast Auto en la modalidad de dormir e inmediatamente suelte el botón en cuanto la luz se apague.
2. Repita las instrucciones para aparear el teléfono como se indica arriba.

Conectando

Para conectar el AirCast Auto:

1. Si ya está en una llamada o está escuchando su música con unos auriculares *Bluetooth*[®], apague los auriculares para que su teléfono se pueda conectar al AirCast Auto.
2. Encienda el estéreo del auto y póngalo en AUX.
3. Asegúrese que el AirCast Auto está recibiendo corriente (el anillo de luz se prenderá en color anaranjado sólido).
4. Pulse el botón y el AirCast Auto intentará volverse a conectar al mismo teléfono al cual estaba conectado la última vez.
5. Cuando la conexión tenga éxito, el anillo de luz se tornará color azul sólido.
6. Si usted está en una llamada o escuchando música, el audio se transferirá a los altavoces del auto.

Nota: Después de 10 minutos sin actividad, el AirCast Auto entrará en modalidad de dormir y se apagará el anillo de luz. Cuando eso ocurra, pulse el botón para "despertarlo" e inmediatamente intentará conectarse al mismo teléfono al cual estaba conectado anteriormente.

Para hacer y recibir llamadas

Para hacer una llamada:

- Haga sus llamadas como normalmente lo haría en su teléfono; el audio de la llamada se escuchará a través del estéreo del auto.

Para hacer llamadas con marcación por voz:

- Si su teléfono soporta marcación por voz, oprima el botón hasta que su teléfono le solicite un comando.

Para contestar una llamada:

- Cuando se detecta una llamada de entrada, el anillo de luz parpadeará en azul.
- Pulse el botón para contestar la llamada y el anillo de luz regresará al color azul sólido.

Cómo manejar múltiples llamadas o llamadas en espera

Para contestar una segunda llamada entrante:

- Pulse el botón.

Para conmutar entre dos llamadas:

- Pulse el botón.

Para colgar la segunda llamada:

- Pulse el botón dos veces.

Cómo controlar su música

Reproducción:

- Pulse el botón y su teléfono comenzará a reproducir la música que estaba tocando anteriormente.
- Para cambiar la música, use los controles en el teléfono.

Para poner la música en pausa o para quitar la pausa:

- Pulse el botón y la música se pondrá en pausa.
- Si la música ya está en pausa, pulse el botón de nuevo para quitar la pausa.
- Si entra una llamada mientras escucha música, la música se pondrá en pausa automáticamente.

Para saltar canciones:

- Para saltarse a la siguiente canción, pulse el botón dos veces.
- Es posible que esto no funcione en todos los teléfonos.

Servicios de audio en línea

Si usa aplicaciones o servicios de audio continuo, como Pandora® o iheartradio®, es posible que puede usar AirCast Auto para disfrutar del audio continuo a través del estéreo de su auto. Si el sonido sale por el teléfono en vez de por los altavoces del auto:

1. Verifique que el teléfono esté conectado al AirCast Auto.
2. Verifique la configuración de la aplicación o servicio para asegurarse que la opción *Bluetooth* esté habilitada y que la función de salida de sonido esté configurada al *Bluetooth*.

Desconexión

Para desconectarse del AirCast Auto, oprima el botón hasta que el anillo de luz se apague y luego suelte el botón de inmediato.

Nota: Si está en una llamada, el audio se transferirá de regreso al teléfono después de unos segundos. Si está escuchando música, dependiendo del teléfono, la música se pondrá en pausa o continuará reproduciéndose con el sonido que sale de su teléfono.

RESOLUCIÓN DE PROBLEMAS

Usted puede resolver rápidamente la mayoría de los problemas con su AirCast Auto con los consejos que se presentan en esta sección.

El audio no está saliendo por los los altavoces del estéreo.

Soluciones:

- Asegúrese que tanto el estéreo del auto como el AirCast Auto estén encendidos.
- Asegúrese de que el cable de audio está conectado correctamente hasta el fondo en la entrada auxiliar de su vehículo.
- Asegúrese que el estéreo del auto esté configurado para la entrada AUX.
- Asegúrese que el volumen del estéreo esté a un nivel de volumen cómodo.
- Asegúrese que su iPhone, iPod touch u otro dispositivo habilitado con *Bluetooth* esté conectado al AirCast Auto por medio de *Bluetooth*.

ADVERTENCIAS DE SEGURIDAD

Índice	SECCIONES	1	2	3	4	5	6	7
--------	-----------	---	---	---	---	---	---	---

La instalación de su AirCast Auto exige de su concentración total y el uso de ambas manos. **No intente conectar su AirCast Auto mientras conduce. No intente ajustar o retirar un AirCast Auto no asegurado mientras conduce.** Ajuste la posición de su AirCast Auto de tal manera que no interfiera con cualquiera de los controles de operación del vehículo o con la vista del camino.

No use este aparato cerca del agua (por ejemplo, una tina, lavabo de manos, fregadero, sótano húmedo, piscina u otras áreas cercanas al agua).

Desconecte este producto del encendedor de cigarrillos o de la salida de corriente antes de limpiarlo. Limpie sólo con un paño seco.

Desconecte este aparato cuando no se vaya a usar por periodos de tiempo largos.

Use sólo accesorios especificados por el fabricante.

Belkin no asume ninguna responsabilidad de lesión personal o daño a la propiedad que ocurra debido a la conducción peligrosa como resultado de la interacción con el AirCast Auto, iPhone, iPod o cualquier otro dispositivo habilitado con *Bluetooth*.

INFORMACIÓN

Declaración de la FCC

Este dispositivo cumple con la Parte 15 de las reglas de la FCC. Su operación está sujeta a las siguientes dos condiciones:

- (1) este dispositivo no debe provocar interferencia perjudicial, y
- (2) este dispositivo debe aceptar la interferencia recibida, incluyendo la interferencia que pudiera provocar una operación indeseable.

Este equipo ha sido probado y se encontró que cumple con los límites establecidos para un dispositivo digital Clase B, de conformidad con la sección 15 de las reglas de la FCC. Estos límites están diseñados para ofrecer una protección razonable contra interferencias perjudiciales cuando el equipo es operado en una instalación residencial. Este equipo genera, usa y puede emitir energía de radiofrecuencia y, si no se instala y usa de acuerdo con las instrucciones, podría provocar interferencias perjudiciales en las comunicaciones de radio. Sin embargo, no hay garantía de que dicha interferencia no ocurrirá en una instalación específica. Si este equipo ocasiona interferencia perjudicial a la recepción de radio o televisión, lo cual se puede determinar apagando y encendiendo el equipo, se sugiere que el usuario trate de corregir la interferencia mediante una de las siguientes medidas:

- Colocar u reorientar la antena receptora.
- Aumentar la separación entre el equipo y el receptor.
- Conectar el equipo a una salida en un circuito distinto al que está conectado el receptor.
- Consultar a su proveedor o al técnico de radio o televisión con experiencia para que le ayuden.

Belkin International, Inc. no es responsable por cualquier interferencia causada por modificaciones no autorizadas a este equipo. Dichas modificaciones podría invalidar la autorización del usuario para operar este equipo.

Advertencia de la FCC: Cualquier cambio o modificación que no haya sido aprobada de manera expresa por la parte responsable del cumplimiento podría anular el permiso del usuario para operar este equipo.

ICES

Este aparato digital Clase B cumple con el ICES-003 de Canadá.

IC

Este aparato digital Clase B cumple con el RSS-210 de Canadá.

Europa – Declaración de conformidad EU

Este dispositivo cumple con los requerimientos principales de la directiva R&TTE 1999/5/EC, la directiva EMC 2004/108/EC, y la directiva de bajo voltaje 2006/95/EC. Se puede obtener una copia de la marca CE que indica la "Declaración de Conformidad" de la Unión Europea en el sitio Web: www.belkin.com/doc



Garantía limitada del producto de 1 año de Belkin International, Inc.

Qué cubre esta garantía.

Belkin International, Inc. ("Belkin") garantiza al comprador original de este producto Belkin que el producto estará libre de defectos de diseño, ensamblaje, materiales o mano de obra.

Cuál es el periodo de cobertura.

Belkin garantiza el producto Belkin por un año.

¿Qué haremos para corregir problemas?

Garantía del producto.

Belkin reparará o reemplazará, a su discreción, cualquier producto defectuoso sin costo alguno (excepto por los costos de envío del producto). Belkin se reserva el derecho de discontinuar cualquiera de sus productos sin previo aviso y deniega cualquier garantía limitada de reparar o reemplazar dicho producto discontinuado. En el caso de que Belkin no puede reparar o reemplazar el producto (por ejemplo, porque ha sido discontinuado), Belkin le ofrecerá ya sea un reembolso o un crédito para la compra de otro producto en Belkin.com por un monto igual al precio de compra del producto, como lo indica el recibo de la compra original que fue discontinuado por su uso natural.

¿Qué es lo que no cubre esta garantía?

Todas las garantías de arriba son nulas y quedan sin efecto si el producto Belkin no se entrega a Belkin para su inspección a solicitud de Belkin por cuenta total del comprador, o si Belkin determina que el producto Belkin ha sido instalado incorrectamente, alterado en cualquier forma o que se ha alterado.

La garantía del producto Belkin no protege en contra de casos de fuerza mayor, tales como inundación, rayos, terremoto, guerra, vandalismo, robo, desgaste por uso normal, erosión, depreciación, obsolescencia, abuso, daño debido a alteraciones de voltaje (por ejemplo, baja de tensión), modificación o alteración de programa o equipo de sistemas no autorizado.

Cómo obtener servicio.

Con el fin de obtener servicio para su producto Belkin debe seguir los siguientes pasos:

1. Contacte a Belkin International, Inc. en 12045 E. Waterfront Drive, Playa Vista, CA 90094, Atención.: Servicio al Cliente o llame al (800)-223-5546, dentro de los primeros 15 días después del evento. Esté preparado para proporcionar la siguiente información:
 - a. El número de parte del producto Belkin.
 - b. Lugar donde adquirió el producto.
 - c. Lugar donde adquirió el producto.
 - d. Copia del recibo original.
2. Su representante de servicio al cliente de Belkin le dará instrucciones de cómo enviar su recibo y el producto Belkin, y cómo proceder con su reclamo.

Índice	SECCIONES	1	2	3	4	5	6	7
--------	-----------	---	---	---	---	---	---	---

Belkin se reserva el derecho de revisar el producto Belkin dañado. Todos los costos de embarque a Belkin del producto Belkin, para inspección, correrán exclusivamente por cuenta del comprador. Si Belkin determina, a su entera discreción, que no es práctico enviar el equipo dañado a Belkin, Belkin podrá designar, a su entera discreción, un establecimiento de reparación de equipo para que inspeccione y estime el costo de reparación de dicho equipo. El costo, si lo hay, de envío del equipo a y de retorno desde dicho establecimiento de reparación, así como el costo de dicho presupuesto, será cubierto exclusivamente por el comprador. El equipo dañado debe permanecer disponible para inspección hasta que se concluya el reclamo. Siempre que se pague un reclamo, Belkin se reserva el derecho de ser subrogado bajo cualquier póliza de seguro existente que pueda tener el comprador.

Cómo se relaciona la ley estatal a la garantía.

ESTA GARANTÍA CONTIENE LA GARANTÍA COMPLETA DE BELKIN. NO HAY NINGUNA OTRA GARANTÍA, EXPRESADA, EXCEPTO CONFORME LO EXIGE LA LEY, O IMPLÍCITA, INCLUYENDO LA GARANTÍA O CONDICIÓN DE CALIDAD IMPLÍCITA, COMERCIABILIDAD O ADAPTABILIDAD PARA UN PROPÓSITO PARTICULAR, Y DICHAS GARANTÍAS IMPLÍCITAS, DE HABERLAS, ESTÁN LIMITADAS A LA DURACIÓN DE ESTA GARANTÍA.

Algunos estados no permiten limitaciones al tiempo que dura una garantía implícita, así que las limitaciones arriba mencionadas podrían no aplicar a usted.

EN NINGÚN CASO BELKIN SERÁ RESPONSABLE POR DAÑOS INCIDENTALES, ESPECIALES, DIRECTOS, INDIRECTOS, DERIVADOS O MÚLTIPLES, TALES COMO, PERO SIN LIMITARSE A, LA PÉRDIDA DE NEGOCIO O GANANCIAS PROVENIENTES DE LA VENTA O EL USO DE CUALQUIER PRODUCTO BELKIN, INCLUSO BAJO ADVERTENCIA DE LA POSIBILIDAD DE DICHOS DAÑOS.

Esta garantía le otorga a usted derechos legales específicos; usted podría tener otros derechos que varían de un estado a otro. Algunos estados no permiten la exclusión o limitación por daños incidentales o indirectos u otros daños, por lo que las limitaciones arriba mencionadas podrían no ser aplicables para usted.

HOJA DE CONSEJOS PARA EL USO DEL BOTÓN

Puede retirar esta página del manual y colocarla en su auto para usarla como referencia.

Función

Pasos

Apareamiento	Oprima el botón hasta que el anillo de luz parpadea en color naranja. La luz se apagará momentáneamente antes de comenzar a parpadear. No suelte el botón hasta que la luz comience a parpadear.
Conectar o transferir el audio al auto	Pulse el botón
Desconectar o transferir audio al teléfono	Oprima hasta que el anillo de luz se apague Suelte el botón inmediatamente después de que se apague el anillo de luz
Contestar una llamada	Pulse el botón
Colgar una llamada	Pulse el botón
Contestar una 2da. llamada	Pulse el botón
Conmutar entre 2 llamadas	Pulse el botón
Colgar la 2da. llamada y resumir la 1ra. llamada	Pulse dos veces el botón
Iniciar marcación por voz	Oprima hasta que se le pida instrucciones
Poner en pausa o quitar la pausa de la música	Pulse el botón (es posible que no funcione en todos los teléfonos)
Saltar canciones	Pulse el botón dos veces (es posible que no funcione en todos los teléfonos)
Iniciar marcación por voz	Oprima hasta que se le pida instrucciones

Ce que signifie l'anneau lumineux sur le bouton :

Naranja - Sin parpadeo	Encendido pero no conectado
Naranja - Parpadeando	En modalidad de apareado
Azul - Sin parpadeo	Apareado y conectado
Azul - Parpadeando	Llamada entrante

BELKIN®

www.belkin.com

Belkin Tech Support

US

<http://www.belkin.com/support>

UK

<http://www.belkin.com/uk/support>

Australia

<http://www.belkin.com/au/support>

New Zealand

<http://www.belkin.com/au/support>

Singapore

1800 622 1130

Europe

<http://www.belkin.com/uk/support>

© 2010 Belkin International, Inc. All rights reserved. All trade names are registered trademarks of respective manufacturers listed. iPod, iPhone, iPod touch, and iTunes are trademarks of Apple Inc., registered in the U.S. and other countries. The *Bluetooth* name and the *Bluetooth* trademarks are owned by *Bluetooth* SIG, Inc., and are used by Belkin International, Inc., under license.

© 2010 Belkin International, Inc. Tous droits réservés. Toutes les marques de commerce sont des marques déposées de leurs fabricants respectifs. iPod, iPhone, iPod touch et iTunes sont des marques de commerce d'Apple Inc. enregistrées aux États-Unis et dans d'autres pays. Le nom *Bluetooth* et les marques de commerce *Bluetooth* appartiennent à *Bluetooth* SIG, Inc., et sont utilisés sous licence par Belkin International, Inc.

© 2010 Belkin International, Inc. Todos los derechos reservados. Todas las marcas comerciales son marcas comerciales registradas de los fabricantes respectivos enumerados. iPod, iPhone, iPod touch y iTunes son marcas comerciales de Apple Inc., registradas en EE.UU. y otros países. El nombre *Bluetooth* y las marcas comerciales *Bluetooth* son propiedad de *Bluetooth* SIG, Inc., y son usadas por Belkin International, Inc. bajo licencia.

Free Manuals Download Website

<http://myh66.com>

<http://usermanuals.us>

<http://www.somanuals.com>

<http://www.4manuals.cc>

<http://www.manual-lib.com>

<http://www.404manual.com>

<http://www.luxmanual.com>

<http://aubethermostatmanual.com>

Golf course search by state

<http://golfingnear.com>

Email search by domain

<http://emailbydomain.com>

Auto manuals search

<http://auto.somanuals.com>

TV manuals search

<http://tv.somanuals.com>