

**BenQ**

Joybook A52/C41 Series User Manual

WELCOME

# Copyright

Copyright 2007 by BenQ Corporation. All rights reserved. No part of this publication may be reproduced, transmitted, transcribed, stored in a retrieval system or translated into any language or computer language, in any form or by any means, electronic, mechanical, magnetic, optical, chemical, manual or otherwise, without the prior written permission of this company.

# Disclaimer

BenQ Corporation makes no representations or warranties, either expressed or implied, with respect to the contents hereof and specifically disclaims any warranties, merchantability or fitness for any particular purpose. Further, BenQ Corporation reserves the right to revise this publication and to make changes from time to time in the contents hereof without obligation of this company to notify any person of such revision or changes.

Windows, Internet Explorer and Windows Mail are trademarks of Microsoft Corporation. Others are copyrights of their respective companies or organizations.

# Joybook models covered by this manual

This manual contains the information about the following Joybook models:

- Joybook A52/C41 Series

Please note that the actual hardware or software capabilities will vary according to the model you purchased. To determine your Joybook model, please refer to the label on the packing box, or the printing on your Joybook.

# Table of contents

<b>Overview</b> .....	1	Exit menu .....	20
About this book .....	1	Boot from LAN.....	20
Typography.....	1	<b>Recovering your system</b> .....	<b>21</b>
<b>Getting started</b> .....	<b>2</b>	Using QDataTrove .....	21
Package contents.....	2	Launching QDataTrove: .....	21
Getting your Joybook ready for use.....	2	Backing up your files: .....	21
Expanding the capabilities of your Joybook.....	4	Recovering your backup files: .....	22
<b>Touring your Joybook</b> .....	<b>6</b>	Restoring your backup image:.....	22
Front view .....	6	Restoring your Joybook to factory default settings:.....	22
Left side view.....	7	Recovering your system using the supplied discs.....	22
Right side view .....	8	Step 1: Reinstalling a clean copy of Windows Vista.....	22
Bottom view .....	9	Step 2: Reinstalling drivers and applications .....	23
Rear view .....	10	Protecting your Joybook from viruses and other security	
Indicators .....	11	threats.....	23
<b>Getting started with Windows Vista</b> .....	<b>12</b>	<b>Connecting to external display devices</b> .....	<b>24</b>
Turning off your Joybook properly .....	12	Connecting to a VGA display device.....	24
Using Windows Mobility Center .....	13	<b>Installing additional memory</b> .....	<b>25</b>
<b>Using your Joybook</b> .....	<b>14</b>	<b>FAQ and troubleshooting</b> .....	<b>28</b>
Using the touchpad.....	14	General.....	28
Using the keyboard.....	15	Battery and power .....	28
Function hotkeys .....	15	Connection .....	29
Windows keys and lock keys.....	16	System .....	30
Using built-in wireless connectivity (available on selected		Display .....	33
models).....	17	<b>Information on cleaning and battery maintenance</b> .....	<b>34</b>
Connecting to a wireless network:.....	17	Battery maintenance .....	34
<b>Using BIOS setup</b> .....	<b>18</b>	Cleaning your Joybook .....	34
When and how to use BIOS setup .....	18	<b>Service and support</b> .....	<b>35</b>
Navigating the BIOS setup screen.....	19	BenQ Joybook Global Online Service .....	35
Main menu.....	19	Joybook online registration .....	35
Advanced menu.....	19	<b>Appendix</b> .....	<b>36</b>
Security menu .....	19	General safety information .....	36
Boot menu .....	19		

Safety information about the battery.....	36
Safety information about the AC adapter .....	36
Safety information about the modem .....	37
Caution.....	37
Disposal of Waste Electrical and Electronic Equipment by users in private households in the European Union.....	37
Declaration of Conformity.....	37
Safety instructions for Poland, Romania, Slovenia, Bulgaria, Latvia, and Croatia.....	38

# Overview




## About this book

This book provides you the main information about various components in your Joybook and demonstrates how to use them. The following are the major chapters of this book.

Chapter title	Description
<a href="#">Overview</a>	Introduction to this book.
<a href="#">Getting started</a>	Information about beginning to use your Joybook.
<a href="#">Touring your Joybook</a>	Introduction to the hardware components of your Joybook.
<a href="#">Getting started with Windows Vista</a>	Basic information about Windows Vista.
<a href="#">Using your Joybook</a>	Basic and advanced information about operating your Joybook.
<a href="#">Using BIOS setup</a>	Information about how to use the BIOS setup utility.
<a href="#">Recovering your system</a>	Information about using system recovery tools.
<a href="#">Connecting to external display devices</a>	Information about how to connect your Joybook to external display devices.
<a href="#">Installing additional memory</a>	Information about how to add additional RAM memory.
<a href="#">FAQ and troubleshooting</a>	Information about frequently asked questions and troubleshooting.
<a href="#">Information on cleaning and battery maintenance</a>	Information about cleaning and battery maintenance.
<a href="#">Service and support</a>	Joybook service and support information.
<a href="#">Appendix</a>	Important safety information.

## Typographics

The usage of notes, tips and warnings is specifically for different purposes, which are described as follows.

Icon/Symbol	Item	Meaning
	Warning	Information mainly to prevent the damage to components, data, or personal injury caused by misuse and improper operation or behavior.
	Tip	Useful information for completing a task.
	Note	Supplementary information.
< > or [ ]	Keys on the keyboard; User Interface (UI) on the screen	Indicates a key on the keyboard, or the UI on the screen. Do not actually type the symbols together with the enclosed letters.

# Getting started

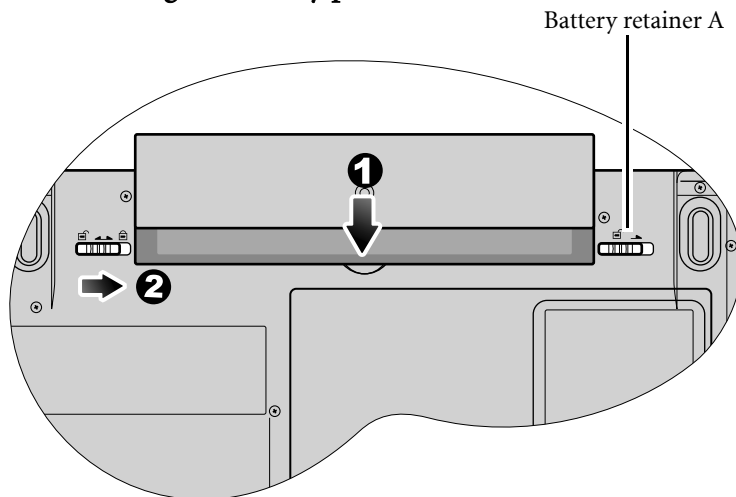
☞ Depending on the model of your Joybook, the appearance may be different from the illustrations shown in this manual.

## Package contents

Before using your Joybook for the first time, please check if you have all the items with you. For details about what should be included in the package, refer to the Package Contents label inside the accessory box. If any of the items are missing or appear damaged, contact your dealer immediately. Save the packaging in case you need to ship your Joybook for service.

## Getting your Joybook ready for use

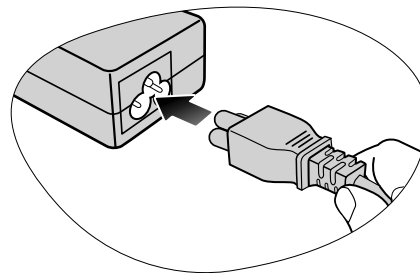
### 1. Installing the battery pack



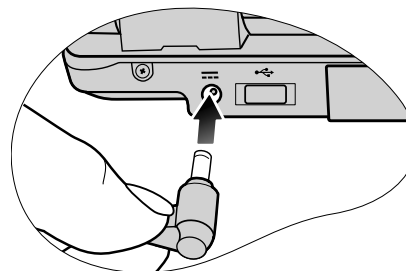
Turn your Joybook upside down and put it on a soft clean cloth. With the label side of the battery pack facing down, slide it gently into the battery compartment until it snaps into place (1). Move the battery retainer A to the left as shown to lock the battery pack into place (2).

### 2. Connecting the power

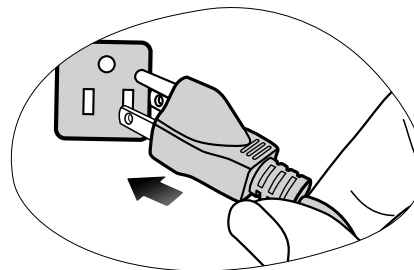
The battery pack is shipped with low charge from the factory. Connect to the power source and start to charge your battery. You can still use your Joybook while the battery is charging.



Connect the power cord to the power adapter.

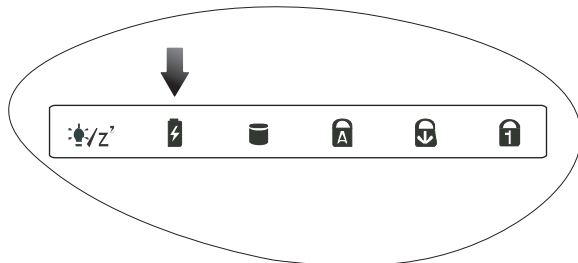


Connect the power adapter to the power socket on your Joybook.



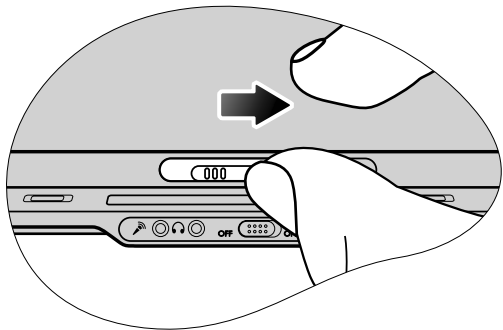
Connect the power cord to a wall outlet. The Joybook will automatically start charging the battery.

- Power systems and plug types may vary depending on your country/region.
- When the battery is charging, the battery indicator appears in amber. When the battery is fully charged, the light goes off.



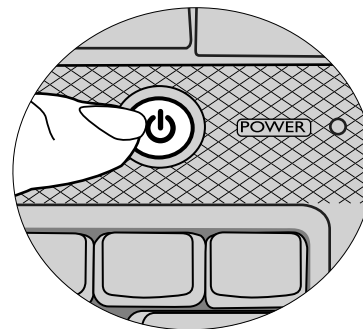
- The battery pack is shipped with low charge from the factory.
- For details about the colors and meanings of the indicators, refer to "Indicators" on page 11.

### 3. Opening your Joybook



To open your Joybook, slide the latch to the right, and then lift the lid up.

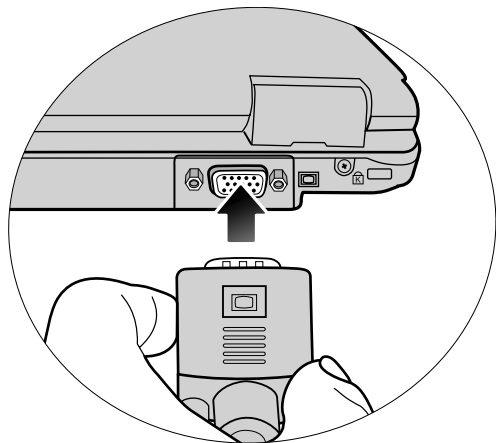
### 4. Performing initial setup



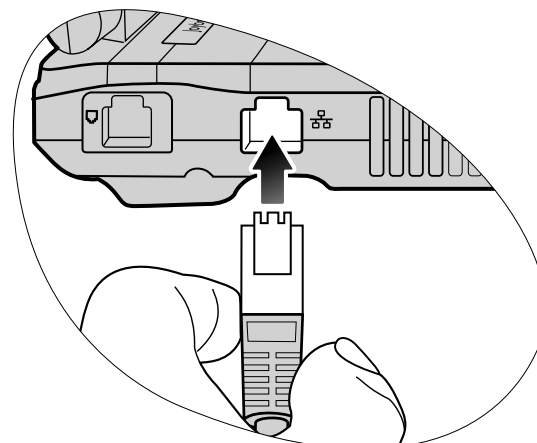
Press the Power button to start up your Joybook, and then follow the on-screen instructions to complete the initial Windows Vista setup.

- Your Joybook A52/C41 Series works best with Windows Vista™ Home Basic. Installing other operating systems that have not been tested is not recommended, and may not only void your warranty but also affect the functionality of your Joybook.
- The actual operating system that comes with your Joybook may vary. For details, refer to the Product Specification label on the product carton.

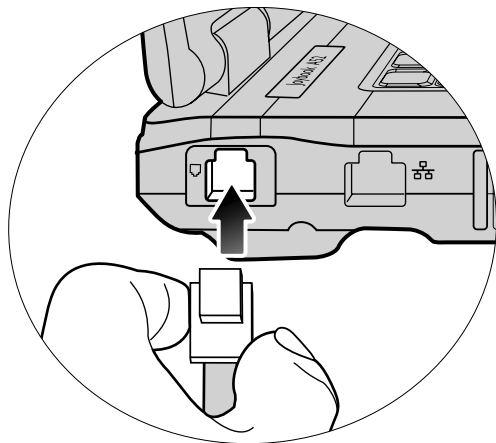
## Expanding the capabilities of your Joybook



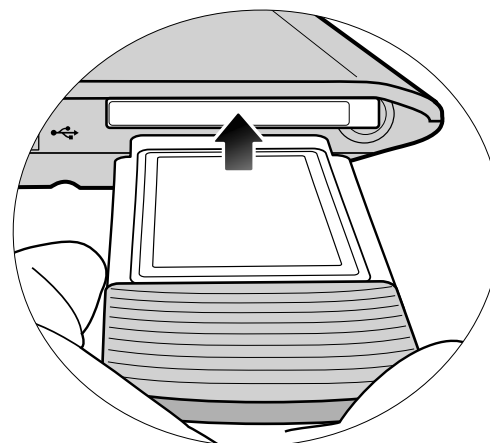
Connect an external display device (such as a monitor or projector) to the 15-pin D-sub video socket of your Joybook.



Access local area network (LAN) by connecting a network cable to the LAN port of your Joybook.

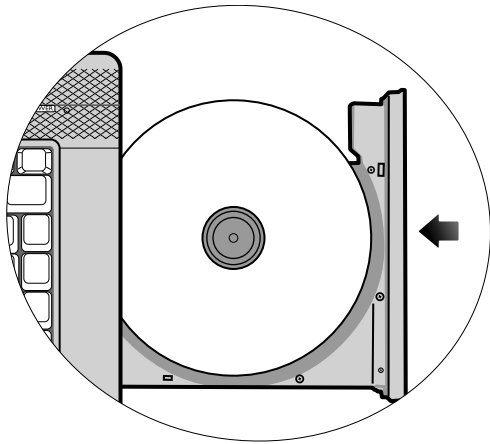


Connect a telephone line to the modem port of your Joybook and dial-up to the Internet or send a fax.

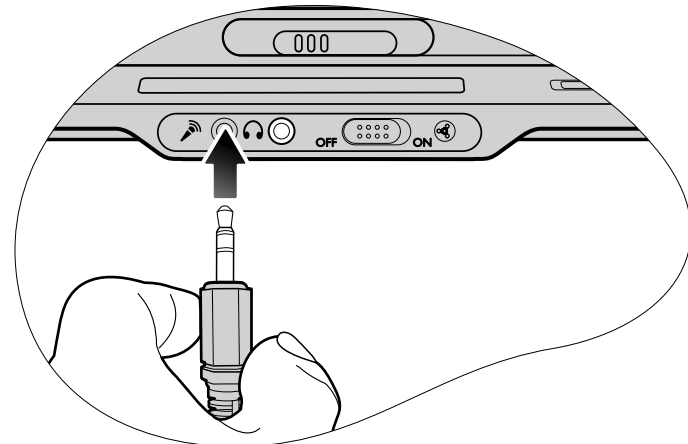


Use various PCMCIA Cards on the market by inserting one into the PCMCIA Card slot of your Joybook.

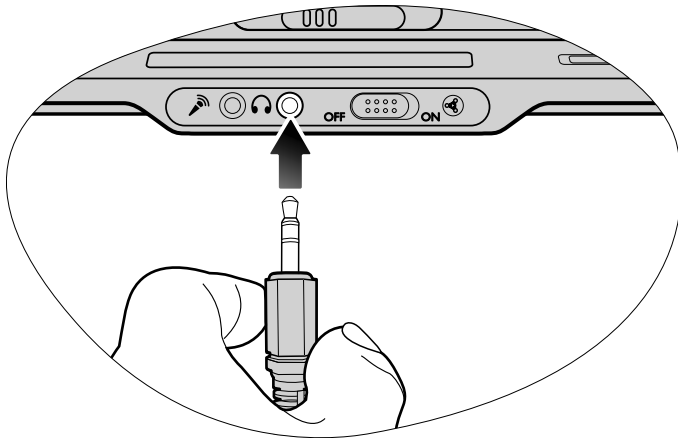




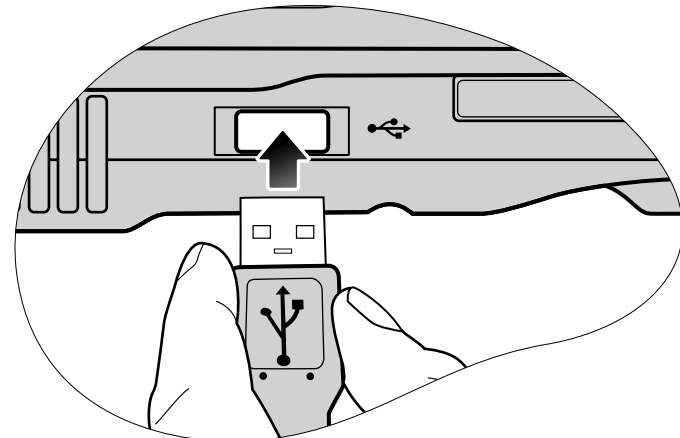
Use the optical drive to access data on various kinds of discs and enjoy movies or music.



Connect a microphone to the microphone socket to record sounds.



Connect an earphone to the audio output socket to output sounds.

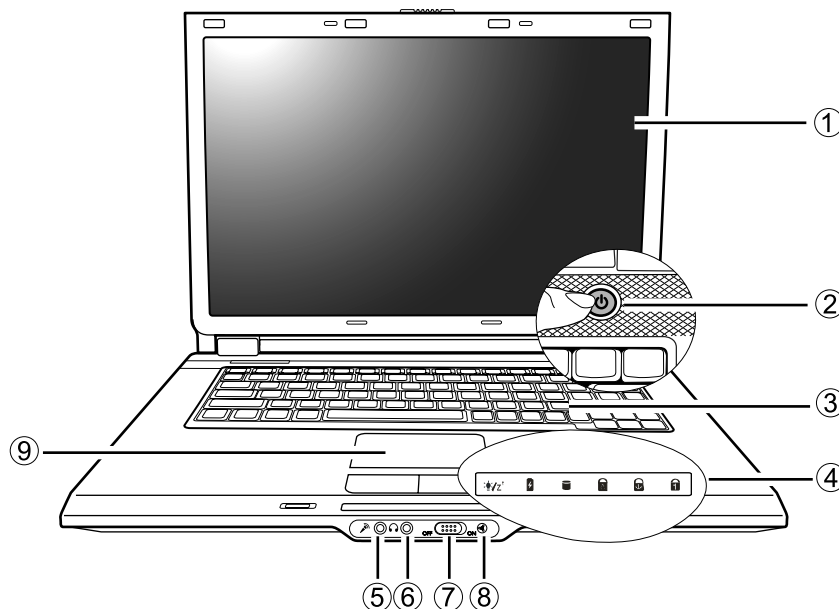


Connect USB peripherals to the USB ports of your Joybook.

# Touring your Joybook

Depending on the model of your Joybook, the appearance may be different from the illustrations shown in this manual.

## Front view



(1) LCD (Liquid Crystal Display) panel

(2)  Power button

Turns your Joybook on or off. Refer to "[Indicators](#)" on page 11 for details about the Power button indicator.


(3) Keyboard


(4) Indicators

Refer to "[Indicators](#)" on page 11 for details.

(5)  Microphone input socket


Can be used to connect to a microphone for recording sounds.

 **This socket is for 3.5mm analog audio plugs. It accepts both mono and stereo plugs.**

(6)  Audio output socket

Can be used to connect to an earphone/headset or external speaker for playing Joybook audio.

(7) Wireless connection switch


 **Wireless LAN (WLAN) is available on selected models. If your Joybook does not come with the WLAN function, this switch has no function.**

Use this switch to activate/deactivate the wireless LAN (WLAN) function.

- To activate WLAN, slide the wireless connection switch to the "ON" position.
- To deactivate WLAN, slide the wireless connection switch to the "OFF" position.

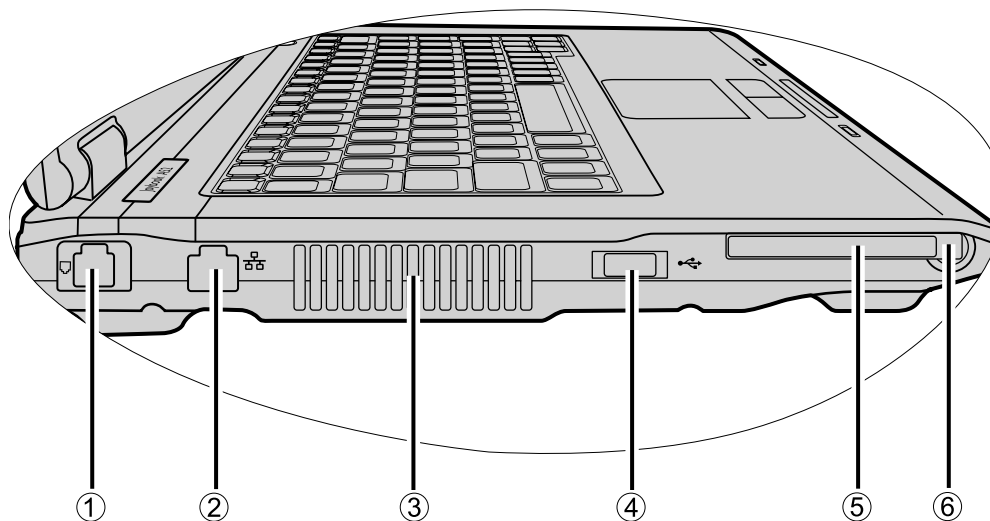
(8) Wireless network indicator

Refer to "[Indicators](#)" on page 11 for details.

 **Wireless LAN (WLAN) is available on selected models. If your Joybook does not come with the WLAN function, the indicator is always off.**

(9) Touchpad

## Left side view



### (1) Modem port (RJ-11 connector)

Accepts an analog telephone line for use with the internal modem.

- ⚠ **To reduce the risk of fire, ensure that your phone cable is of adequate capacity and approved for use with your local telecommunications supplier.**

- **This is the only telecommunications modem port on the Joybook. Please be careful to avoid plugging a narrow RJ-11 phone cable into the similar looking but wider RJ-45 LAN port adjacent.**

### (2) LAN (Local Area Network) port (RJ-45 connector)

Allows Joybook to connect to a 10/100Mbps fast Ethernet 100BASE-T network.

- ⚠ **Please be careful to avoid plugging a RJ-11 phone cable connector in the RJ-45 port. This will damage the LAN port. They look similar, but the RJ-45 connector is wider than the RJ-11 connector, and has more conductors.**

### (3) **Ventilation holes**

For dissipating heat and keeping the computer at an optimal temperature.

### (4) USB port

For connecting peripherals such as mice, digital cameras and MP3 players that use the USB 2.0 interface.

### (5) **PCMCIA Card expansion slot**

This slot accepts one Type-II PCMCIA Card. You can use it and various PCMCIA Cards on the market to further expand the capabilities of your Joybook.

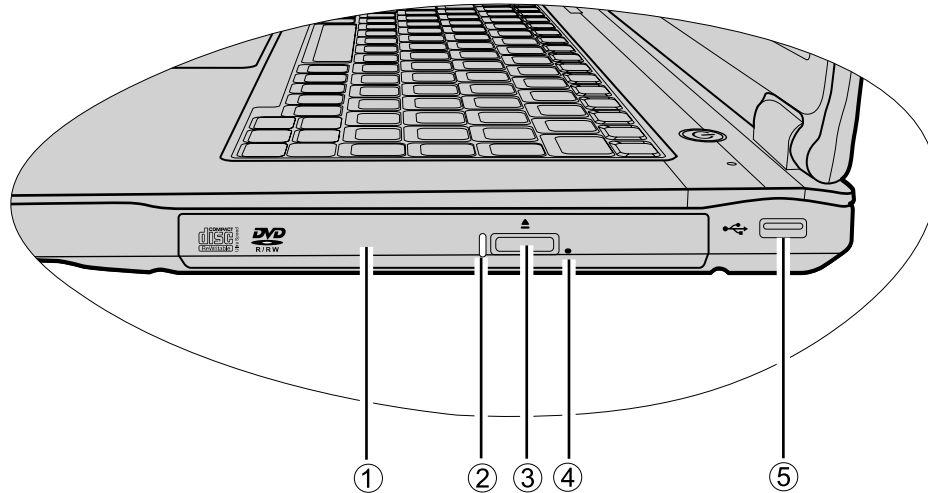
Insert the PCMCIA Card into the slot following the direction indicated on the card. Then, complete related driver settings according to the documentation that came with the card.

### (6) **PCMCIA Card ejection button**


Before ejecting a PCMCIA Card:

1. Quit all PCMCIA Card applications and shut down all PCMCIA Card functions.
2. Push in, and then release the PCMCIA Card eject button, causing it to pop out.
3. When the button has popped out, push it in again to eject the PCMCIA Card.

## Right side view



### (1) DVD/CD-RW Combo/DVD Super-Multi drive (available on selected models)

 **The type of the optical drive varies by model, and the support of disc types depends on the optical drive that comes with your Joybook.**

Supports multi-functional optical module for reading music CDs, VCDs and DVDs or burning CD-R/CD-RW or DVD+R/DVD-R/DVD+RW/DVD-RW/DVD-RAM (optional) discs.

### (2) Optical drive indicator

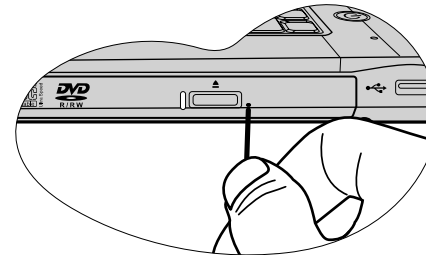
Flashes in green when Joybook is accessing data in the optical drive.

### (3) Optical drive ejection button

Discs can be inserted/ejected by pressing this ejection button.

### (4) Manual tray opening

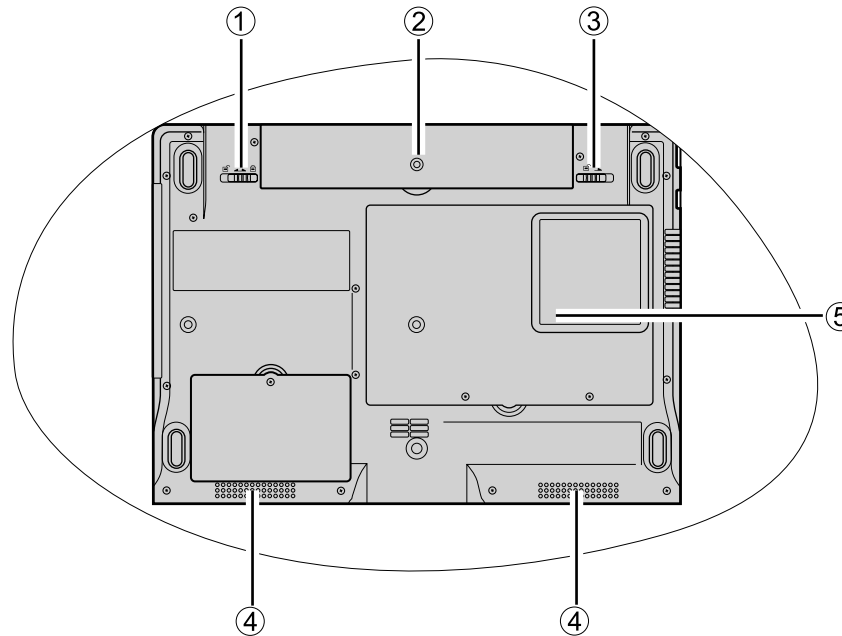
If you wish to open the disc tray when your Joybook power is off, or it can't be opened using the ejection button, insert a pointed object (like an opened paper clip) into the tray ejection hole next to the ejection button to release the disc tray.



### (5) USB port

For connecting peripherals such as mice, digital cameras and MP3 players that use the USB 2.0 interface.

## Bottom view



### (1) Battery retainer B

Secures the battery in place.

### (2) Battery pack

Supplies power to Joybook when external power is not connected.

### (3) Battery retainer A

Secures the battery in place.

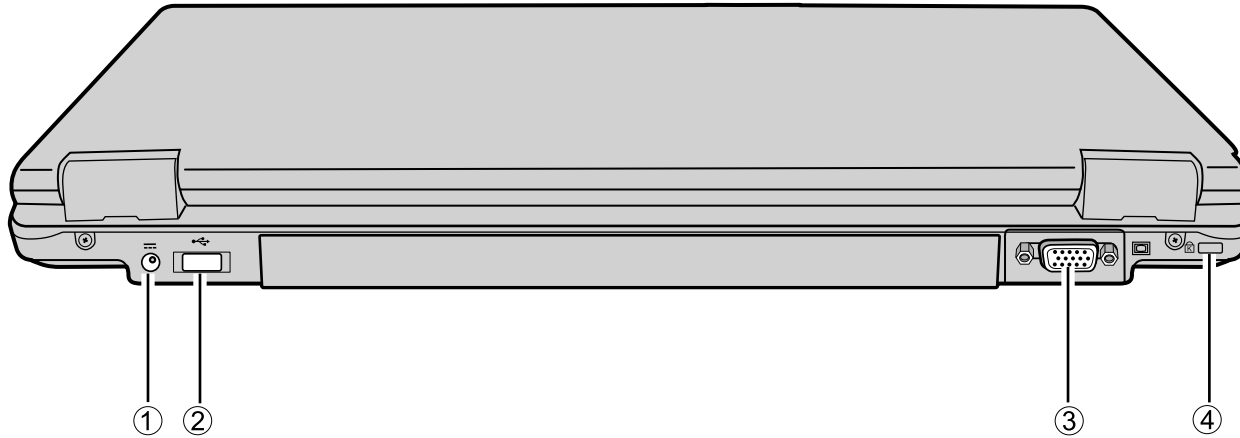
### (4) Speakers

### (5) MiniCard and memory expansion slot cover

Inside the cover, you can find the memory slot of Joybook. There is also a MiniCard slot for using an optional MiniCard.

- A wireless network card in the MiniCard form-factor design may have been pre-installed on selected models.
- To remove the cover, a small Phillips head screwdriver is required.
- For more information about adding additional memory, the limit of maximum memory, or the types of BenQ certified memory modules for your Joybook, refer to ["Installing additional memory" on page 25](#).

## Rear view




**(1)  Power socket**

For connecting AC power supply to power the Joybook and charge the battery.

**(2)  USB port**

For connecting peripherals such as mice, digital cameras and MP3 players that use the USB 2.0 interface.

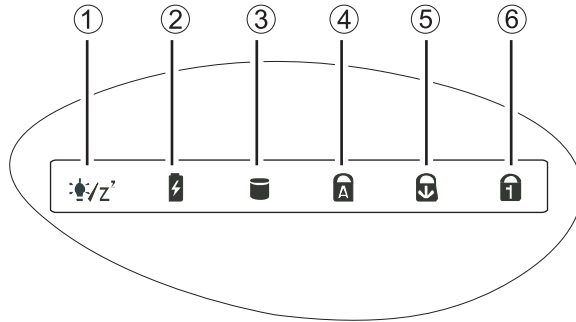
**(3)  15-pin D-sub video socket**

For connecting external display devices, such as monitors and projectors.

**(4)  Anti-theft Kensington lock slot**

You can attach an anti-theft Kensington lock and cable to this slot to help prevent possible theft.

# Indicators



## (1) System status indicator

- When the system is on, it lights up in green.
- When the system is in Suspend mode, it flashes in green.
- When the battery is running low, it lights up in amber.

## (2) Battery indicator

- When the battery is charging, it lights up in amber.
- When the battery is fully charged, and the system is on and connected to the power source, the light goes off.
- Flashing amber indicates that the battery is malfunctioning, in which case you should contact service personnel.

## (3) Hard disk drive activity indicator

Flashes in green when Joybook is accessing data in the hard disk drive.

## (4) Caps Lock indicator

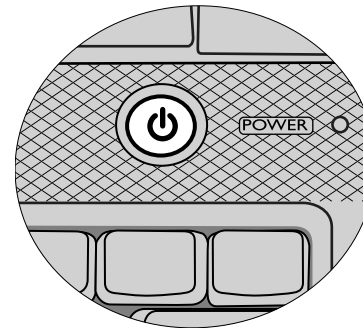
Lights up in green when the Caps Lock is activated.

## (5) Scroll Lock indicator

Lights up in green when the Scroll Lock is activated.

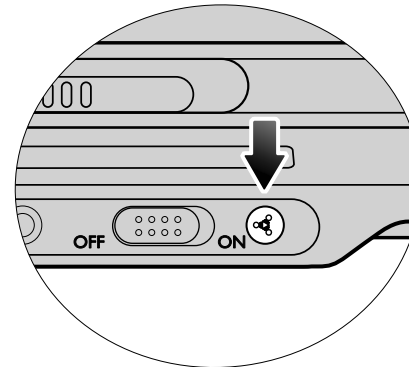
## (6) Num Lock indicator

Lights up in green when the Num Lock is activated.



## Power button indicator

- When the system is on, it lights up in blue.
- When the system is off or in Standby/Hibernation, the light goes off.



## Wireless network indicator

- When the WLAN is on and the network connection is established, it lights up in green.
- If your Joybook does not come with the WLAN function, the indicator is always off.


# Getting started with Windows Vista

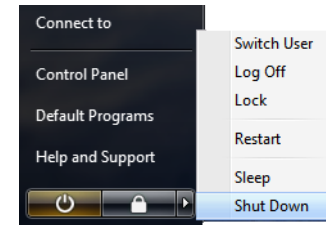
Depending on your purchased model, your Joybook may come pre-installed with the latest Microsoft operating system: Windows Vista™ Home Basic.

When you first set up your Joybook, you may want to find information about the following topics. Refer to the user manual that is supplied with your operating system, or search from **Help and Support** in the **Start** menu.



- How to set the system region settings, date, and time.
- How to set system administrator and user security logins and settings.
- How to install, setup and run anti-virus software.
- How to name the computer for network identification.
- How to connect to a local network wirelessly or by cable.
- How to connect to another computer over a network and share files.
- How to connect with a network or shared printer.
- How to connect to the Internet.
- How to register Windows and other packaged software.
- How to update Windows with the latest service packs and security patches.
- How to synchronize the system clock with an Internet time server.
- How to locate, download, and install latest system device drivers.
- How to setup scheduled events for system maintenance.

## Turning off your Joybook properly

By Windows default, the Start menu power button  puts your Joybook into sleep. Therefore, if you wish to turn off the power of your Joybook completely, click the **Start** menu, click the arrow next to the **Lock** button, and then click **Shut Down**.






Alternatively, you can customize the function of the Start menu power button by following the steps below.

1. Right-click the battery meter icon ( or ) in the notification area located in the lower right corner of the desktop, and then click **Power Options**.
2. On the **Select a power plan** screen, click **Change plan settings** under the selected plan.
3. Click **Change advanced power settings**.
4. On the **Advanced settings** tab, double-click **Power buttons and lid** to expand this category.
5. Then, double-click **Start menu power button** to expand this item.
6. To specify the action to take when you press the Start menu power button, click **On battery** or **Plugged in**, and then select the desired setting from the drop-down list.






The Start menu power button may look different according to your settings

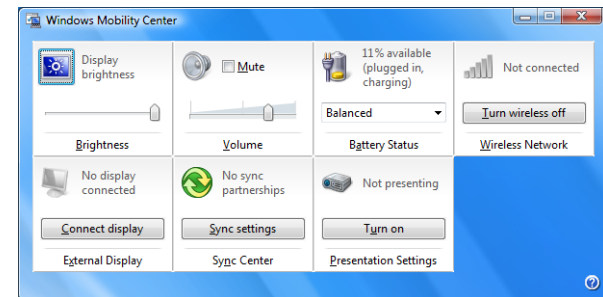
Appearances	Functions
	Puts your Joybook into sleep.
	Shuts down your Joybook.
	Installs the Windows updates when available, and then shuts down your Joybook after the installation is complete. This form of power button is only available when you've set your Joybook to receive updates automatically.

## Using Windows Mobility Center

Windows Mobility Center is a convenient location where you can quickly access your Joybook's settings, such as brightness, volume, battery status, and wireless network, etc.

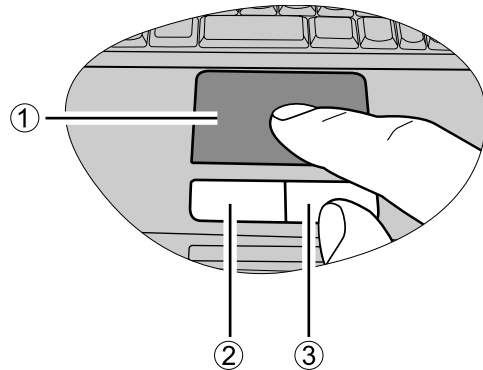
To open Windows Mobility Center, simply press the  + <x> hotkey combination, or do one of the following:

- Click **Start, Control Panel, Mobile PC**, and then click **Windows Mobility Center**.
- Click the battery meter icon ( or ) in the notification area located in the lower right corner of the desktop, and then click **Windows Mobility Center**.



# Using your Joybook

## Using the touchpad



The touchpad with its buttons is a pointing device that functions as an optional external mouse, which can perform navigation, scrolling and selection functions. The components of the touchpad are described as follows.

No.	Component	Function
(1)	Touchpad	Moves the pointer, selects or activates items on the screen.
(2)	Left touchpad button	Equivalent to the left button of an optional external mouse.
(3)	Right touchpad button	Equivalent to the right button of an optional external mouse.

- To use the touchpad as an optional external mouse, press the left and right touchpad buttons, which provide the same click functions as an external mouse does.
- To move the pointer, place your finger with slight pressure on the touchpad and move in the direction as desired.

- ☞ **Do not use a pen, pencil, or marker on the touchpad. Use only your fingertip.**
  - To set the touchpad preferences in Windows Vista, select Start, Control Panel, Hardware and Sound, and Mouse.

Function	Left touchpad button	Right touchpad button	Touchpad
Select	Click once.		Tap once.
Execute	Click twice quickly.		Tap twice quickly.
Drag	Click once and hold the item, and then use your finger on the touchpad to drag.		Tap twice quickly and hold the item, and then move your finger on the touchpad to drag.
Display the context menu		Click once.	

☞ **The touchpad is a pressure sensitive device that requires proper care to avoid damage.**

- Do not rest heavy objects on the touchpad or its buttons.
- Do not scratch the touchpad with sharp-pointed objects or your fingernails.

# Using the keyboard

## Function hotkeys

You can use the function hotkeys to access commonly used functions or make quick settings. To use the hotkeys, press and hold the <Fn> (Function) key at the lower left corner of the keyboard, and then press the desired hotkey.










The appearance of the keyboard legend may vary depending on the country/region of your purchase.

<Fn> + <F1>	Activates or deactivates the speakers.	<Fn> + <F10>	Decreases volume.
<Fn> + <F3>	Switches display between the screen and an external monitor/projector, or allows simultaneous display; switches between internal/external display.	<Fn> + <F11>	Increases volume.
<Fn> + <F6>	Enables or disables system beep. When enabling system beep by pressing <Fn> + <F6>, the system beep once.	<Fn> + <Scr Lk>	Activates or deactivates the scroll lock function. When activated, the screen moves one line up or down when you press the up or down arrow key (↑, ↓). Scroll Lock does not work in all programs.
<Fn> + <F8>	Decreases screen brightness.	<Fn> + <Num Lock>	Activates or deactivates the numeric keypad integrated in the keyboard (indicated by the light gray shade in the illustration above).
<Fn> + <F9>	Increases screen brightness.		

## Windows keys and lock keys



	<b>Windows key</b> Functionally equivalent to clicking the <b>Start</b> button on the Windows desktop.	<b>Shift +  + M</b>	Cancels minimization of all windows.
<b> + Tab</b>	Press and hold the Windows key, and then press <b>Tab</b> to switch between windows.	<b> + R</b>	Activates the <b>Run</b> dialogue box.
<b> + E</b>	Opens the <b>Computer</b> window for browsing disks and files.	<b>Caps Lock</b>	Capitalizes all text entered.
<b> + M</b>	Minimizes all windows.	<b> Application key</b>	Provides the same function as the right touchpad button, bringing up a contextual pop-up menu.

# Using built-in wireless connectivity (available on selected models)

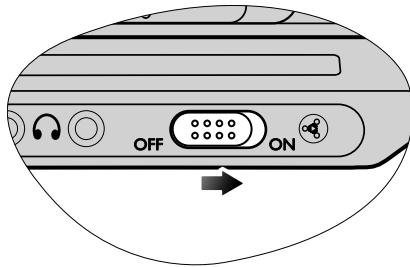
With the built-in wireless connectivity of your Joybook, you can access other wireless network enabled devices (such as Access Point network stations, Notebook computers, Personal Digital Assistants, or digital projectors) wirelessly without the constraints of network cables.

To connect with a Local Area Network (LAN) at home or in the office, you need the details of an access point, which serves as an air station to make transmission possible. Outdoors in places such as in coffee shops or library, you can inquire the service personnel about an account.

- **Wireless LAN (WLAN) is available on selected models.**
- **WLAN connectivity has limited range, depending upon the equipment being used, the chosen frequency band, radio-wave interference, and the physical landscape (including building structure). Circumstances will vary depending upon your particular situation.**

## Connecting to a wireless network:

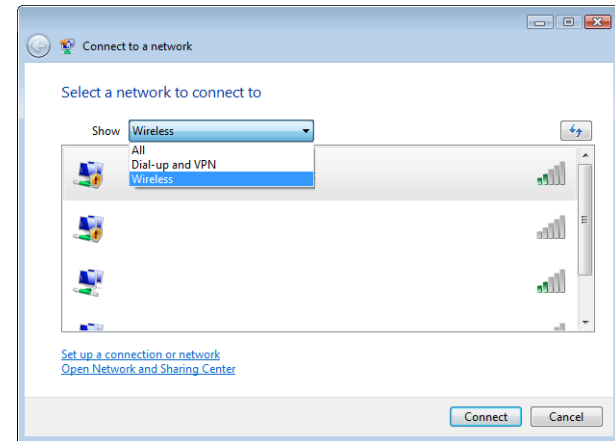
1. Make sure that you are located within the wireless network service area.
2. Slide the “Wireless connection switch” on the Joybook to the right to activate WLAN.



3. Click on the WLAN icon  in the notification area located at the lower right corner of the desktop to display a pop-up menu.
4. From the pop-up menu, click **Connect to a network**.



5. Click **Wireless** in the **Show** list. A list of available wireless networks will be displayed.



6. Click a network and then click **Connect**. If security authentication is not required by the network you are using, there will be a successful message showing that you have connected to the network.
- **To connect to some networks that require security authentication, you may have to undergo another authorization process and enter username and password. For details, please consult your network administrator.**
  - **For further information, refer to Help and Support.**
  - ! **For data security, it is strongly recommended to connect to security-enabled wireless networks whenever possible.**
  - **When travelling by air, please be sure to turn off wireless networking to avoid any possible risks to flight safety.**
  - 💡 **There are other ways for the Joybook to connect with a network. See "LAN (Local Area Network) port (RJ-45 connector)" and "Modem port (RJ-11 connector)" on page 7.**

# Using BIOS setup

BIOS (Basic Input/Output System) is a layer of software, called firmware, that translates instructions from other layers of software into instructions that Joybook hardware can understand. The BIOS settings are needed by Joybook to identify the types of installed devices and establish special features.

**⚠ BIOS settings are specific to your Joybook hardware. Do NOT change existing BIOS settings unless you are sure they need to be changed, and are aware of the consequences. Any incorrect BIOS settings may degrade the performance, operation and functionality of your Joybook.**

**👉 For latest BIOS updates, visit <http://Support.BenQ.com>.**

## When and how to use BIOS setup

You need to use BIOS setup when:

- You see an error message on the screen requesting you to run BIOS setup.
- You want to restore the factory default settings.
- You want to modify some specific settings according to the hardware.
- You want to modify some specific settings to optimize system performance.

**👉 The BIOS setup screen shown in this chapter is for your reference only. The actual items or settings on your Joybook may differ.**

- **The BIOS setup program may have been updated after the publication of this manual.**
- **The settings you select in your operating system might override similar settings in BIOS setup.**

To run BIOS setup, press the <F2> key immediately when the BenQ logo appears on the screen during system startup. The logo shows up on the screen for only a few seconds, so you must press the <F2> key at the time. The BIOS setup main screen will appear as follows.

PhoenixBIOS Setup Utility				
Main	Advanced	Security	Boot	Exit
BIOS Version: 1A07		Item Specific Help		<Tab>, <Shift-Tab>, or <Enter> selects field.
System Time: [12:25:24]				
System Date: [01/12/2007]				
Internal HDD 80GB				
Internal CD/DVD CD/DVD				
Total Memory 1024MB				
CPU Type Intel (R) Celeron(R) M CPU				
CPU Speed 1.73GHz				
F1 Help ↑↓ Select Item F5/F6 Change Values F9 Setup Defaults				
Esc Exit ←→ Select Menu Enter Select ► Sub-Menu F10 Save and Exit				

The BIOS setup screen can be divided into four areas:

- On the top line is the menu bar containing the titles of available menus. Each menu title contains a specific menu.
- The center left column of the menu contains information regarding the current settings of the system. If you open a pull-down menu and select an item that provides multiple options, the left column will display a submenu where you can make further selections.
- The right column of the menu contains Help information about the current menu selected. When a menu item is highlighted, more detailed information is given.
- The bottom lines of the menu provide keyboard instructions for moving around and making selections.

# Navigating the BIOS setup screen

Keyboard information can be found at the bottom of the screen. A brief description of keyboard usage is listed below:

Key	Function
Left and right arrow keys (←, →)	Selects a menu title.
Up and down arrow keys (↑, ↓)	Selects an item or option.
Enter	Displays the sub-menu when an item with the arrow ▶ sign is selected. Opens or closes the option window when an item is selected.
Tab	Jumps from one item to another.
Esc	Exits BIOS setup. Returns to the previous menu if in a sub-menu. Closes the options window if one is open.

## Main menu

The Main menu contains the basic configuration settings of the system and shows some system information, such as the BIOS version, CPU type and speed, and the system memory, etc.

- **System Time:** allows you to set the time of the system. Type in the value and then press <Enter>, <Tab> or <Shift> + <Tab> to change the next value.
- **System Date:** allows you to set the date of the system. Type in the value and then press <Enter>, <Tab> or <Shift> + <Tab> to change the next value.

## Advanced menu

The Advanced menu contains advanced I/O (Input/Output) configuration settings of the system.

- **Quiet Boot:** controls the display of BenQ logo during system boot.
- **Legacy USB Support:** allows the support of legacy USB devices during system boot and under DOS.

- **Frame Buffer Size:** allows you to adjust the size of the video memory in your system.

⚠ **If you are not familiar with the items in Advanced Configuration menu, you are advised to keep the default.**

## Security menu

The Security menu contains the security settings, which safeguard your system against unauthorized use.

⚠ **Do NOT set the BIOS security password without having memorized it or written it down and stored it with your Joybook warranty documentation. Should you happen to forget or mislay the password once set, you will be greatly inconvenienced in gaining subsequent access to your Joybook.**

- **Set Supervisor Password:** This set of password controls access to the whole BIOS setup menu. It must be set before **User Password** can be set. When typing the password, first make sure that Num Lock is off, and then type your password in the entry fields and press <Enter>. Confirm your password by typing it again and pressing <Enter>.
- **Set User Password:** This set of password controls access to part of the BIOS setup menu.
- **Password on boot:** This item determines if a password will be prompted during system boot. When this item is enabled, the password is always required to boot the computer.

👉 **If Set Supervisor Password and Set User Password are both set, you can enter either one of them during the password prompt. To have full privileges in BIOS setup, enter Supervisor Password.**

## Boot menu


The Boot menu contains the boot configuration settings of the system. A list of devices will be displayed under **Boot priority order**.

- Use <↑> or <↓> to select a device, and then press <F6> to move it up or <F5> to move it down.
- To select a boot device manually, press the <F9> key when the BenQ logo appears on the screen during system startup. The Boot Menu will appear. Use the up and down arrow keys (↑, ↓) to select a boot device, and then press <Enter> to confirm.
- To exclude or include a device in the “Boot priority order” list, press the <x> key.

## Exit menu

The Exit menu displays ways of exiting BIOS setup. After finished with your settings, you must save and exit so that the new settings can take effect.

- **Exit Saving Changes:** saves the changes you have made and exits BIOS setup. After finishing with your settings, you must save and exit so that the new settings can take effect.
- **Exit Discarding Changes:** exits BIOS setup without saving the changes you have made.
- **Load Setup Defaults:** loads factory default values for all the items.
- **Discard Changes:** cancels all changes since last save, without exiting the BIOS setup utility.
- **Save Changes:** saves changes without exiting the BIOS setup utility.

 **It is recommended that you go into BIOS to load setup defaults, whenever you have installed new hardware components.**

## Boot from LAN

During system startup, pressing <F12> will activate **Boot from LAN** feature, enabling your Joybook to boot from an OS image via the network.



# Recovering your system

⚠ **System recovery is a data destructive process. You should backup all data and applications prior to restoring. Please make sure your system is connected to AC Power before continuing.**

☞ **The system recovery methods listed below are only available when your Joybook comes pre-installed with a Windows operating system.**

Should your system become unstable and you wish to restore it to its original state or make a backup, you can do so following either of the methods below:

- **Method 1:** The QDataTrove function of your Joybook. For details, refer to "Using QDataTrove" below.
- **Method 2:** The supplied "Operating System Disc" and "Drivers and Applications" discs (available depending on your purchased model). For details, refer to "[Protecting your Joybook from viruses and other security threats](#)" on page 23.

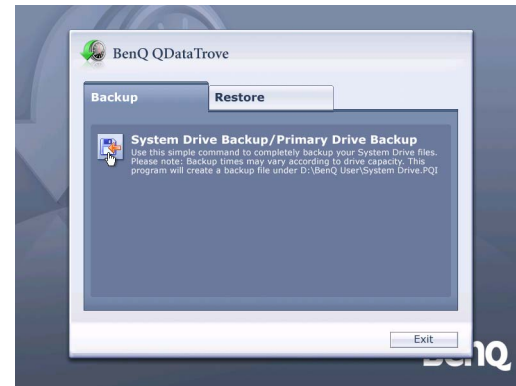
## Using QDataTrove

### Launching QDataTrove:

1. Start your Joybook.
2. During the startup process, press the <F10> key when you see "Press F10 key to enter QDataTrove" on the upper left part of the screen.
3. The following options will then display on the screen. Click **Backup** or **Restore** to proceed according to your need.

### *Backing up your files:*

- ☞ **Make sure your system is connected to AC Power before performing the task.**
- **If you already have a previous backup file on the D: drive, then it will be replaced.**
- **The backup files will occupy a large amount of disk space, over 10GB, so make sure your D: drive has sufficient free space available. Simply click the D: drive under "Computer" in Windows Vista. The total size and available free space appear in the Details pane at the bottom of the folder window.**
  - a. Make sure your D: drive has sufficient free space. For details, refer to the note above.
  - b. To back up your complete system drive files, click **System Drive Backup/Primary Drive Backup** to proceed.



- c. Follow the on-screen instructions to complete the task.
- 💡 **The backup creates a "BenQ user" folder on the D: drive, which can be burnt to disk and archived independently of QDataTrove.**

### *Recovering your backup files:*

- a. To browse your existing backup files or folders, and recover them to the drive you selected, click **Recover Backup Files** to proceed.



- b. Follow the on-screen instructions to complete the task.

### *Restoring your backup image:*

- a. To restore your Joybook from your previous backup image, click **Full System Restore - Backup Image**.
- b. Follow the on-screen instructions to complete the task.

### *Restoring your Joybook to factory default settings:*

This process will ERASE ALL data on your system drive C: and restore the system to default factory configuration.

⚠ **If this option is selected, all programs you installed or data you saved on the C: drive will be erased. However, data on the D: drive will not be affected.**

- a. To restore your Joybook to its factory settings, click **Full System Restore - Factory default settings**.
- b. Follow the on-screen instructions to complete the task.

## Recovering your system using the supplied discs

To recover your system using the “Operating System Disc” and “Drivers and Applications” discs, follow the procedure and instructions below carefully.

### Step 1: Reinstalling a clean copy of Windows Vista

- ⚠ **All programs you installed or data you saved on the C: drive will be erased. However, data on the D: drive will not be affected.**
  - **Recovering your system by using Method 2 (the supplied “Operating System Disc” and “Drivers and Applications” discs) will cause the QDataTrove function to become unavailable. You will also need to install the device drivers manually from the “Drivers and Applications” discs.**
  - **Do not remove discs when the recovery is in progress until prompted to do so.**
  - **Before using the “Operating System Disc” and “Drivers and Applications” discs, make sure the system is not in hibernation mode or turned off. Also make sure the lid of your Joybook is not closed.**
- ☞ **The availability of the supplied discs may vary depending on your purchased model.**
1. Turn on your Joybook.
  2. Press the <F9> key when the BenQ logo appears on the screen during system startup. A **Boot Menu** screen appears.
  3. Insert the supplied “Operating System Disc” into your optical drive.
  4. Use <↑> or <↓> to select **CD-ROM/DVD-ROM**, and then press **Enter**.
  5. Press any key when you are prompted with **Press any key to boot from CD or DVD**. Please wait while Windows is loading files.
  6. The **Install Windows** screen appears. Select the operating system you want to install, and then click **Next**.
  7. On the **Where do you want to install Windows?** screen, select the primary disk partition, and then click **Format**.
  - ⚠ **This will remove all programs and data on the C: drive where Windows Vista is currently installed. However, other drives will not be affected.**
  8. Click **Next**. Your Joybook will restart several times during the installation. Please wait while the installation is in progress.
  9. Follow the remaining on-screen instructions to complete the installation and setup.

When you finish reinstalling the operating system, be sure to remove the “Operating System Disc” from your optical drive.


10. Restart your Joybook.

To make Joybook operate properly, it requires the reinstallation of the drivers and software programs located on the “Drivers and Applications” discs, which would have been erased from your Joybook when the C: drive was formatted.

## Step 2: Reinstalling drivers and applications


1. Insert the “Drivers and Applications” disc into your optical drive.

The main screen will be displayed automatically.

 **If the AutoPlay feature of your optical drive is disabled in your system, the screen will not pop up automatically. Go to the “QAutoCD” folder, and then double-click the “QAutoCD.exe” file to launch the program manually.**

2. You can perform the following tasks on the main page.

- To install drivers, click **Install Joybook Driver**.
- To install applications, click **Install Joybook Application**.
- To view the drivers and applications that are available for your model, click **View Software List**.

 • **When installing drivers, it is recommended to go to “Chipset” and “Audio” to perform the driver installation first.**

• **To make your system work properly, install all drivers and applications that are available for your model.**

3. Follow the remaining on-screen instructions to complete the installation.

## Protecting your Joybook from viruses and other security threats

Your Joybook comes with an Anti-Virus CD, so please be sure to install the anti-virus software from the disc supplied. Doing so helps you to avoid unexpected destruction of your precious data in Joybook and keeps your privacy against any unauthorized access from other computers.

The anti-virus software protects your computer against Internet threats such as viruses, Spyware, hackers, and spam. In addition, you can secure your personal information, block unwanted Web sites, and check e-mail for viruses.


However, we would still recommend that you back up your data regularly on CDs, DVDs or other storage media, since the anti-virus software may not be able to intercept all existing and new viruses, which may lead to destruction of all or some of your data in the Joybook.

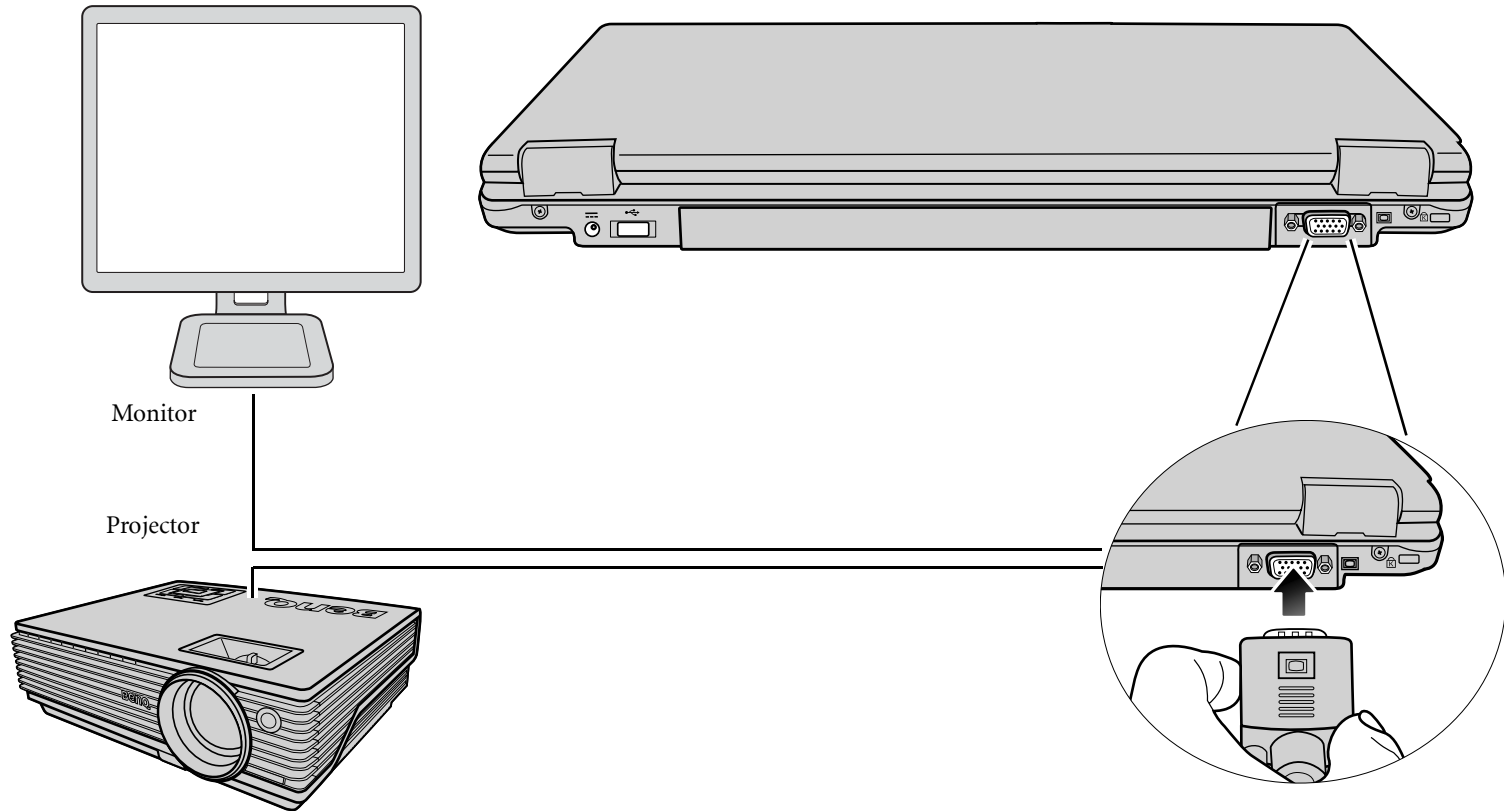
For more information about how to use the anti-virus software installed, please refer to the on-line help that comes with the software.

# Connecting to external display devices

## Connecting to a VGA display device

You can output Joybook's video signal to an external display device, such as a projector or monitor. Once the VGA cable is connected properly, simultaneous display will be available on your Joybook and the external display device automatically.


 Pressing the <Fn> + <F3> hotkey combination allows you to switch between Joybook's own screen and the external display device, or use simultaneous display.



# Installing additional memory

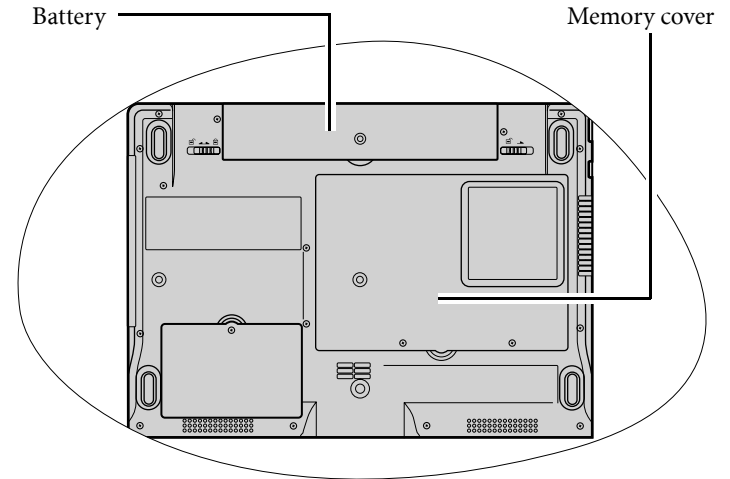
You can replace the existing memory module with a higher-capacity one. Before you upgrade or replace memory, please check on the BenQ web site to determine the module which can be used, or contact BenQ distributor or customer service center. It is recommended that you take your Joybook to the BenQ distributor or customer service center for the upgrade or memory replacement.

For details about the limit of maximum memory, refer to the product information from <http://BenQ.com>.

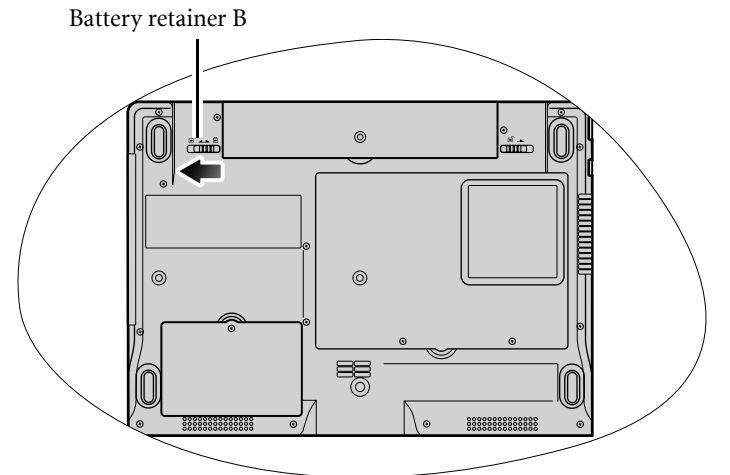
 Please follow the steps below to consult the FAQ information and find out the types of BenQ certified memory modules for your Joybook:


1. Connect to BenQ Online Service and Support (<http://Support.BenQ.com>).
2. Click FAQ.
3. Click Joybook.

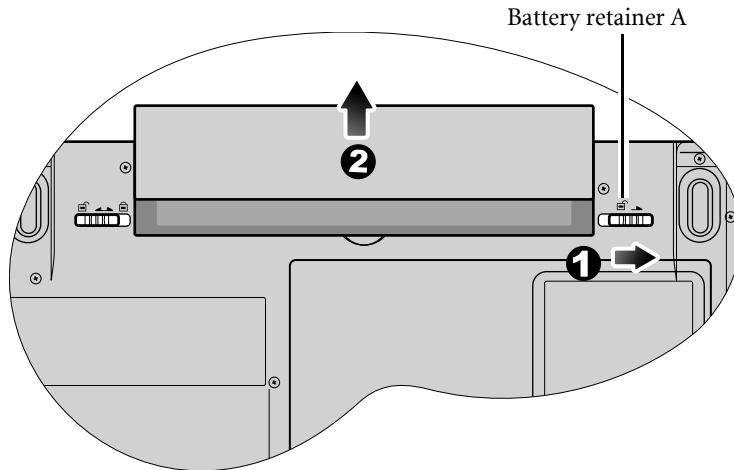
1. Shut down your Joybook completely. Disconnect the AC adapter and turn over your Joybook.



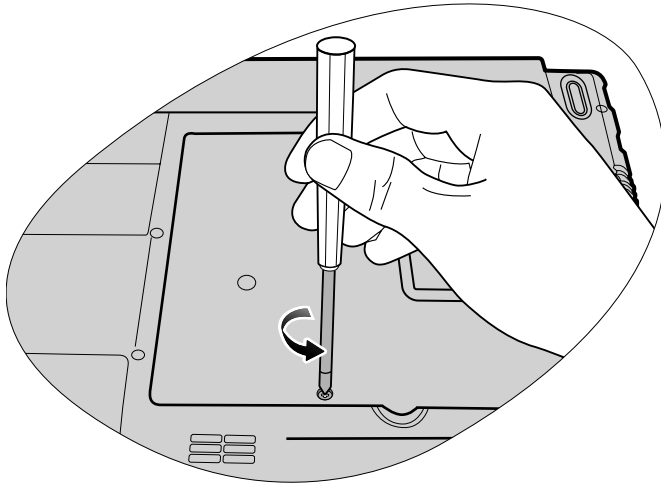
2. Slide the battery retainer B to the unlock  position.



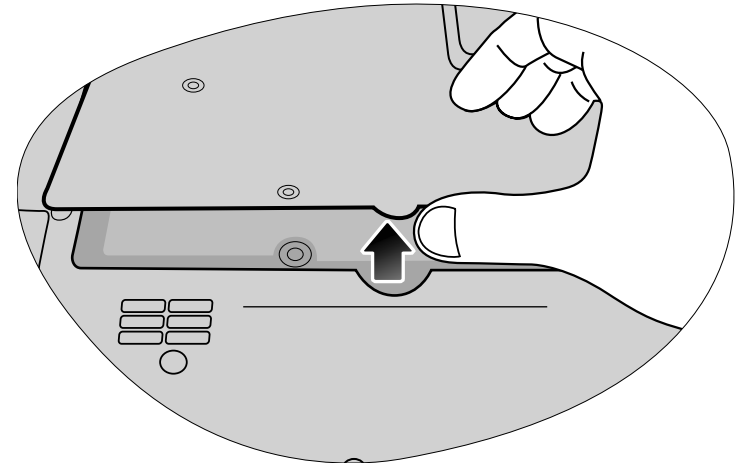
- Slide the battery retainer A to the unlock  position (1) and, while still holding the retainer, pull the battery away from its compartment (2).



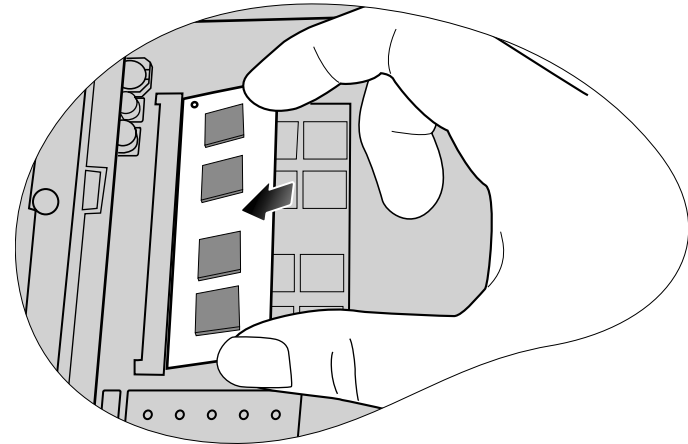
- The memory cover is secured with 2 screws. Use a screwdriver to remove these screws.



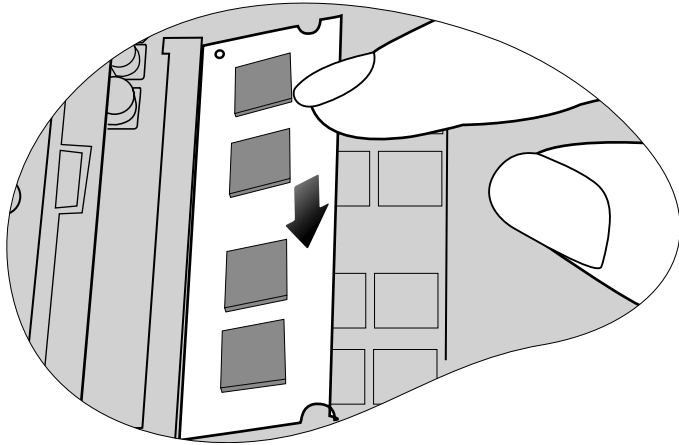
- Open the cover.



- ⚠ • Ground yourself to your Joybook with professional grounding equipment like an anti-static wristband, or touch the metal surface on the inside of your Joybook to discharge any static electricity.
  - Handle the memory module by its edge and avoid touching the contacts.
- Align the memory module with the slot, and then insert it. When inserting, pay attention to the direction of the memory module.

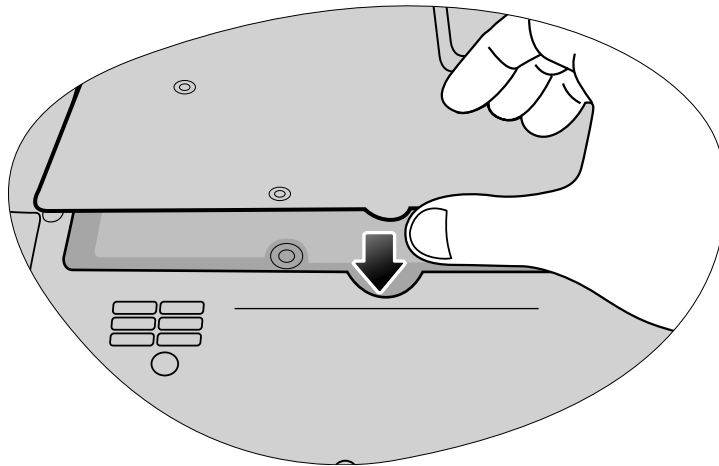


7. Gently push the free edge downwards until the module locks into place.

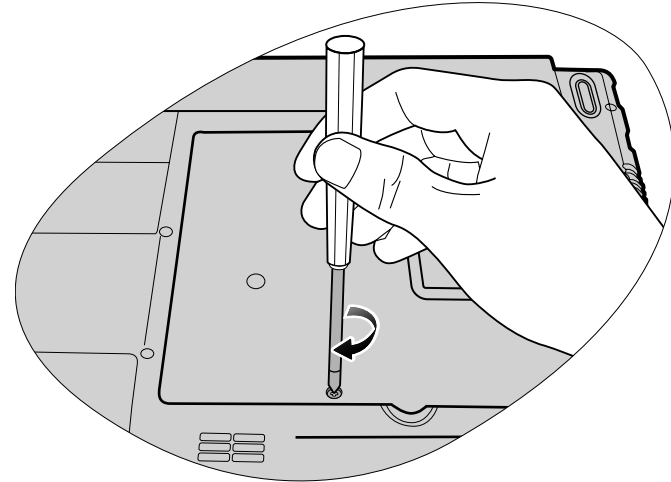



**⚠ If the memory module is not installed properly, your Joybook may not boot properly.**

8. Replace the cover.

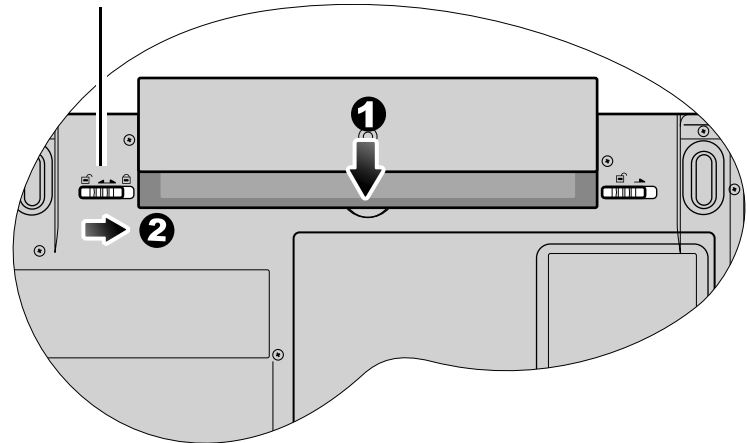


9. Use a screwdriver to secure it with the screws.



10. Place the battery on its original position (1) and then slide the battery retainer B to the to the lock  position (2). Connect the AC adapter. When you start Joybook, it will automatically test and configure the new memory.

Battery retainer B



**⚠ It is recommended that you go into BIOS to load setup defaults after installing additional memory. For details, refer to ["Using BIOS setup"](#) on [page 18](#).**

# FAQ and troubleshooting

The following are descriptions of situations that you may encounter during use of the Joybook, along with basic troubleshooting steps. If you are not able to resolve the issue, immediately contact a BenQ service center for assistance.

## General

### ② What is Joybook? What are the differences between the Joybook and traditional notebooks?

☞ BenQ call it Joybook, because BenQ has combined entertainment and stylish design with traditional notebook's functions. For example, enhanced 3D processing power for gaming and movie viewing. With Joybook, you will be able to enjoy the most exciting audio and visual experience ever!

### ② What is a Wireless LAN (WLAN)?

☞ A WLAN is a type of Local Area Network (LAN) that uses high frequency radio waves rather than wires to communicate and transmit data among nodes. It is a flexible data communication system implemented as an extension to, or as an alternative for, a wired LAN within a building or campus.

## Battery and power

### ② How long should I charge the battery for the first time?

☞ The length of the charging time may depend. When the amber light of the battery indicator goes off, it means that the charging is completed.

### ② My computer won't start up with the battery inserted?

☞

- Make sure the battery is properly inserted.
- Make sure that the battery is fully charged. If this does not work, consult your BenQ dealer.

### ② What should I do with the battery if I will not use my Joybook for a long time?

☞ Recharge the battery or discharge it to about 40% full, and then store it in a dry place at about 15°C to 25°C. Extremely high or low temperature will shorten the life of battery.

### ② When charging the battery, the power indicator on Joybook suggests that the battery is fully charged. When I check it from the Power Manager in Windows, the battery level is only about 95%-99%. Why?

☞ It is the result of the battery protection design of Joybook. When the power indicator on Joybook is off, it means that the battery has reached a saturated voltage: 95%-99%. At this moment, the voltage difference detected by Joybook is very small, so it will reduce the charging current to prevent overcharging the battery with excess current or voltage, which will damage the battery. Moreover, in order to protect the battery from exposing to high voltage and current for a long time during charging, the battery has been equipped with a protection circuit that will charge the battery at low current in the final phase.

### ② How come my notebook is not fully charged even after a full night charge?

☞ Make sure that the Joybook is receiving power. Is the cord plugged in correctly? When the battery is installed in the computer and it is properly plugged in to an AC outlet, check to see if the battery level icon is showing a charge sign. If this does not fix the problem, the battery, the power source in the notebook, or the AC power cord may be defective. Consult your BenQ dealer for help and maintenance.



❓ **What should I do if the battery gets hot in my Joybook?**

☞ Take the battery out and let it cool down. If the problem persists once it is inserted back into the Joybook, the battery could be defective and it may need to be replaced.

❓ **Joybook will not start up, even though the Power button was pressed.**

☞ Check the power indicator.

- If it is not lit up, Joybook is not being supplied by power, either from an external power source via the AC adapter or from the battery. Make sure that the AC adapter is correctly inserted into the power socket of Joybook and a working electrical socket, and allow the battery to begin charging.
- If the power indicator is lit up in blue, the Joybook is being supplied normally with power, meaning that the problem lies elsewhere.
  - If you have added any hardware (memory for example), check if it has been installed correctly.
  - It is possible that certain operating system files are damaged or missing. If so, you may need to first back up all your data and then use the Drivers and Applications disc that came with the Joybook to return the its software to original state. Please note however that doing so will cause all of your personal data on the hard disk drive to be lost!

❓ **Why does the battery on my Joybook seem to last shorter and shorter?**

☞ It is normal for Lithium-Ion (Li-Ion) batteries to decline in capacity over time.

## Connection

❓ **My modem does not connect at 56K speed?**

☞ Several factors can affect connection speed, such as line noise, number of people connecting/connected to your ISP, and the age and condition of the telephone lines. A 56K modem does not guarantee all connections at 56K; rather it s the ability to connect at up to 56K speed.

❓ **Can't connect to the Internet with the built-in network interface on Joybook?**

☞ Check if the network has a fixed MAC address. Contact your network administrator for further solutions.

❓ **When connecting to a local network with Joybook, the connection is unstable.**

☞ The instructions below will guide you through the troubleshooting process.

1. Right-click **Computer** and select **Properties, Device Manager**.
  2. Double click **Network adapters**. When the name of the network adapter of Joybook appears, double-click on it.
  3. The Properties window will pop up. Click the **Advanced** tab, and then click the **Speed & Duplex** item on the left.
  4. Select the appropriate mode according to the settings of your LAN service from the **Value** drop-down menu on the right, and then click **OK**.
- If the situation persists, slide the “Wireless connection switch” to disable WLAN to reduce interference of different network connection modes.

❓ **I have problem setting up wireless network.**

☞ Please follow the instructions below to resolve the problem:

- Have you enabled the WLAN function of the Joybook? Remember to slide the “Wireless connection switch” to enable WLAN.
- Click the **Start** button and select **Control Panel, Network and Internet, Connect to a network**. Make sure the connection status is connected and with appropriate signal strength. If you do not see the connection status, make sure your wireless device is set up correctly so your Joybook can pick up the signal.
- Make sure that your wireless router or access point is broadcasting the SSID. Refer to your wireless device’s documentation for enabling this broadcasting feature.

# System

## ? How should I resolve the “Low on Disk Space” or “Out of Disk Space” error messages.

☞ Windows uses disk space for operations such as caching and virtual memory. The Joybook may not run reliably if the hard drive’s free disk space drops under 100MB or 200 MB. The following instructions will help you free up the disk space.

1. Click **Start** and then **Computer**.
2. Right-click the hard drive icon and then select **Properties**.
3. Observe how much free space is on the hard drive.
4. To free up hard drive space, click Disk Cleanup and follow the instructions that follow to proceed.


## ? How do I update the driver?

☞ Please visit BenQ Online Service and Support (<http://Support.BenQ.com>) to search for driver updates.

## ? My system is running very slow. How can I improve performance?

☞ System resources are the amount of memory and hard drive space that your Joybook can use and can degrade over time slowing the computer. However, you still can improve the system performance by using the methods below:

- Close all open programs not being used. Use software program that are absolutely necessary. Try running virus scans and other tools when away from the desk. Closing software program that are not necessary helps window perform more efficiently.
- Prevent background software programs from loading. As software programs load the small icons in the notification area, they will be running in the background and each one consumes valuable system resources. You can follow the steps below to prevent application programs from running when Windows launches:

1. Press  + **R** to display the **Run** dialog box.
2. Type “msconfig” in the **Open** field. This will open the system configuration utility.

3. Click the **Startup** tab and then uncheck any task that is unwanted.
  4. Click **Apply**, and then click **OK**. Restart your Joybook.
- Remove programs from the Startup folder. Removing programs from the Startup folder also helps to prevent programs from running when Windows starts up. To do so, follow the steps below:
    1. Right-click anywhere in the open area on the desktop and select **New, Folder**. Give the folder a name. This folder will be used later.
    2. Right-click the **Start** button and then select **Open**. A folder named Programs will appear in the Start Menu window.
    3. Double click the **Programs** folder and then the **Startup** folder.
    4. Right-click any icon in the folder and then select **Properties**. The information about the icon will appear. this will help you to judge if the program is necessary to be left in the Startup folder.
    5. Select unwanted program icons, right-click on them and select Cut.
    6. Close the open windows to return to the windows desktop.
    7. Open the folder created in Step 1.
    8. Select the **Edit** and **Paste** commands in the folder window. The icons that were cut from the Startup folder are now placed in the folder.
    9. Restart the Joybook. The programs removed from the Startup folder will no longer run when Windows starts. However, you can still run them by double clicking their icons in the folder created in step 1.
  - Empty the Recycle Bin. You can free up disk space by clearing files you no longer need from the Recycle Bin. To do so, right-click the **Recycle Bin** icon on the desktop and select **Empty Recycle Bin**.
  - Delete temporary files and directories. This will increase hard disk space and reduce the time Window takes to access the hard drive. It will also help to solve problems associated with spooling print job.
    1. Close all running programs.
    2. Click the **Start** button and select **All Programs, Accessories, System Tools**, and then **Disk Cleanup**.
    3. Check the types of files you want to delete (temporary files are safe to delete).
    4. Click **OK**.
  - Use the Scan Disk and Defragment functions. The Scan Disk function checks a hard drive for errors, while the Disk Defragment function takes all the scattered bits of program data and groups them back together in the front of the drive.

1. Click the **Start** button and then select **Computer**.
2. Right-click the hard drive's icon and select **Properties**.
3. Click the **Tools** tab and then the **Check Now** button.
4. Check all check boxes in the dialog that follows.
5. Click **Start**.
6. Restart the computer. It may take a long time to complete.

To run Disk Defragmentation in Windows Vista:

1. Close all running software programs.
2. Right-click the hard drive's icon and select **Properties**.
3. Click the **Tools** tab and then the **Defragment Now** button.
4. Click the **Defragment Now** button. It may take a long time to complete.

If Disk Defragmenter start itself over and over, it means that some hidden background software program is still accessing the hard drive. Restart the computer and try again.

#### ? **USB devices quit working unexpectedly in Windows Vista.**

☞ This is because USB devices such as camera, scanners, or printer loses its connection and stops working unexpectedly. Please follow the steps below to resolve the problem.

1. Click **Start**, and right-click **Computer**.
2. Click **Properties**.
3. Click **Device Manager**.
4. Double-click the **Universal Serial Bus controllers** branch to expand it.
5. Right-click **USB Root Hub**, and then click **Properties**.
6. Click **Power Management**.
7. Deselect **Allow the computer to turn off this device to save power**.
8. Repeat steps 5 through 7 for each USB Root hub.
9. Click **OK**, and then close Device Manager.

#### ? **Why does the keyboard and/or palm rest get warm?**

☞ Typically, the Joybook tends to be slightly warm. The location of the hard disk is typically underneath the palm rest and as a result, the palm rest gets warm. The location of the processor is typically underneath the keyboard and since heat rises, the keyboard may slightly get warm. There is no need to be concerned. However, since your computer has a thermally controlled fan, when the CPU and/or internal temperature of

the notebook reaches a certain temperature level, the fan is turned ON and stays ON until the temperature drops to a pre-defined level.

#### ? **The U, I, O, P, J, K, L keys on my Joybook are coming up as numbers instead of letters?**

☞ The number keys are enabled. Press the **Num Lk** (Number Lock) key once to disable the number lock function, and the letters will return to normal.

#### ? **There is no sound coming from the speakers.**

☞ Check the following:

- The speakers may have been muted. Look at the volume control (speaker icon) on the Windows Taskbar to see if mute has been set. If so, turn off the mute.
- The speakers may have been turned off. Use the <Fn> + <F1> hotkey combination to turn them on.
- The volume may have been set too low. Use the <Fn> + <F11> hotkey combination to increase the volume.
- An earphone or external speakers may be connected to the audio-out socket, automatically turning off the computer's internal speakers.

#### ? **CD or DVD does not function.**

☞ Please verify the following:

- Joybook is turned on, and the CD or DVD discs are properly inserted in the center of the disc tray in the optical drive.
- The disc tray is closed.
- The CD or DVD is not bent or badly scratched.
- Noise from the optical drive when the disk plays shows that the optical drive may be deformed, and the computer needs to be repaired. If the disc tray does not open after the Eject button is pressed, insert a pin into the Emergency Eject hole to force the tray out.

② **DVD movies will not play.**

☞ The region code of the DVD inserted must match that of the DVD playback software used. This region code can be set up to five times. If you have not reached this limit, a prompt will appear that will allow you to change the region code of the software to match that of the move. Otherwise, you can only play back DVDs with the same region code as the last DVD played back successfully.

② **Why is the hard drive capacity displayed by the OS be different from its nominated capacity?**

☞ Most users may have discovered that the capacity of a 10GB hard drive will become 9GB when displayed from the OS; and 20GB become 19GB, 40GB become 38GB..., etc. The bigger the capacity, the bigger the difference. It is because hard drive makers and OS developers calculate hard drive capacity in different ways. As a result, the nominated capacity is different from the exact capacity displayed by the OS.

Calculation of hard drive capacity by drive makers	Calculation of hard drive capacity by OS developers
1GB=1,000MB	1GB=1,024MB
1MB=1,000KB	1MB=1,024KB
1KB=1,000 bytes	1KB=1,024 bytes

Example of a 40GB hard drive:

Calculation by drive makers	Calculation by OS developers
40GB=40,000MB	40GB=40,960MB
=40,000,000KB	=41,943,040KB
=40,000,000,000 bytes	=42,949,672,960 bytes

Exact capacity of a 40GB hard drive displayed in the OS:

$40,000,000,000 \div 1024 \div 1024 \div 1024 = 37.2529$  (GB).

Furthermore, when you partition a hard drive, the system will reserve some space on the drive for system files. Therefore, the total capacity of a hard drive displayed by the OS will never be the same as its nominated capacity.

② **I hear noise when connecting an earphone to Joybook.**

☞ The instructions below will guide you through the troubleshooting process.

- Connect the earphone to other devices, such as a radio to see if you can still hear that noise. If the noise persists, the earphone may be out of order.
- If you can hear the noise only when inserting, it is the result of high instantaneous current. It is a normal phenomenon.

② **How can I reduce the wearing of the screen hinge when I open the screen?**

☞ We suggest that you open and close your screen gently and slowly with both hands. Apply force evenly on both hands to reduce hinge wearing and prevent deformation or breaking of hinge due to uneven force application.

② **What should I do if a program in Windows freezes?**

☞ If your system freezes, press <Ctrl> + <Alt> + <Delete> keys simultaneously, click **Start Task Manager**. Then, click the **Applications** tab under **Windows Task Manager**, and then click on the application that freezes and click **End Task**.

② **Why is my Joybook running so hot? Is it normal?**

☞ Yes. Because all the hardware is in such cramped quarters, it tends to get hot. You should avoid using your Joybook on blankets, bed, or other materials that keeps the heat in.

② **Why does my Joybook seem to turn off itself after a certain period of inactivity?**

☞ This is the default setting of Joybook to conserve battery power. The Joybook is configured to use the power saving feature. You can go to **Control Panel, Mobile PC, and Power Options** in Windows to adjust the setting manually.

② **Should I drain the battery of my Joybook every time before charging to retain its capacity?**

☞ No. Your Joybook comes with an Lithium-Ion (Li-Ion) battery pack. This is one of the newest cell types available. It is also the lightest battery type currently available on a commercial basis and can provide more power than other main cell types. There are no known problems of memory effect with this battery type and it is the easiest battery type to care for.

## Display

② **There is nothing visible on the screen.**

☞ Check the power indicator.

- If it is not lit up, no power is being supplied to Joybook. Connect the AC adapter and restart Joybook.
- If it is lit up in amber, Joybook has entered sleep mode in order to conserve power. Simply pressing the Power button or any key should return Joybook to normal operating mode.
- If it is lit up in blue, Joybook is being supplied normally with power. There are two possible causes for the problem.
  - The screen's brightness may be set too low. Use the <Fn> + <F9> hotkey combination to increase the brightness.
  - The display mode may be set to use an external display. Use the <Fn> + <F3> hotkey combination to switch the display mode to use Joybook's own LCD panel or to use simultaneous display.

② **When I connect the Joybook to an external monitor, the display is abnormal.**

☞ The instructions below will guide you through the troubleshooting process.

- Use the <Fn> + <F3> function key combination to set external video signal enabled.
- Refer to the user's manual of the external monitor to check the settings.

- Connect the cable to the Joybook and reboot the system. If there is no display on the external monitor after system reboot, connect Joybook to a standard VGA monitor and wait until you can see things properly on that VGA monitor. Then connect the target display to Joybook again.

② **How can I judge if my LCD panel is out of order and what should I do if it happens?**

☞ If your Joybook cannot display images at the default resolution, please visit the BenQ web site to download and update the latest Joybook display drivers.

Contact your BenQ dealer if either of the following phenomena occurs:

- The screen shakes when the system started up normally.
- Fonts displayed on the screen are unclear and strange codes appear.
- There is no display when the hard drive is running normally.
- Colors on the screen are strange and turn into white.
- Vertical or horizontal lines appear on the screen.
- When playing back a media file using Windows Media Player, the frame speed is abnormal.
- The sound changes while the screen remains the same when playing games.

# Information on cleaning and battery maintenance

## Battery maintenance

1. Fully charge/discharge battery up to 4 cycles before achieving full capacity of a new battery.
2. Fully discharge and then fully charge the battery every two to three weeks for battery conditions.
3. Remove from the device and stored in a cool, dry, clean place if the battery will not be in use for a month or longer and recharge the battery after a storage period.
4. Do not short-circuit. A short-circuit may cause severe damage to the battery.
5. Do not drop, hit or otherwise abuse the battery as this may result in the exposure of the cell contents, which are corrosive.
6. Do not expose the battery to moisture or rain.
7. Keep battery away from fire or other sources of extreme heat. Do not incinerate. Exposure of battery to extreme heat may result in an explosion.
8. Do not use AC adapters other than the one provided with the Joybook.
9. Do not place the battery within reach of children.
10. Follow the local laws governing the disposal of batteries. As far as possible, submit used batteries to be recycled.
11. Use of improper batteries, or attempting to disassemble a battery, may result in explosions. Follow vendor recommendations in using batteries of the identical or equivalent type as replacements for worn-out batteries.

## Cleaning your Joybook

When cleaning the Joybook, follow these steps:

1. Turn off the Joybook, disconnect the AC adapter, and remove the battery.
2. Use a damp cloth to wipe the outer surface of the Joybook. Do not apply liquid or spray cleaners directly on the Joybook.
3. Do not use cleaners containing alcohol or acetone. Instead, use cleaning fluids specially formulated for LCD screens.

# Service and support

## BenQ Joybook Global Online Service

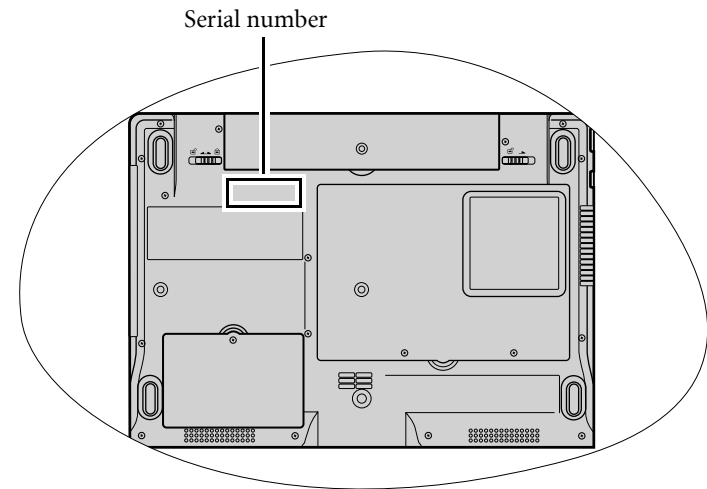
Welcome to BenQ Joybook Global Online Service (<http://Support.BenQ.com>). In order to ensure you an enjoyable experience with your Joybook, the following supports are provided so you can get assisted whenever and wherever you are.

- **Warranty:** Global warranty information of your Joybook product. For local warranty information, please refer to the local warranty documentation in the package.
- **Download Center:** Drivers, documentation and additional software for keeping your Joybook up-to-date.
- **FAQ:** Contains answers to frequently asked questions about the Joybook as well as additional tips.
- **Contact Center:** Here you can directly contact BenQ Customer Service for answers and advice to your questions. You can also obtain the information about the BenQ service stations in your country.

## Joybook online registration

Register now to get free product news and latest information about BenQ! To register, follow the steps below:

1. Refer to the illustration below to locate the 24-digit product serial number on the bottom side of your Joybook and write it down.



2. Connect to <http://service.benq.com/orw/joybook>
3. Click **Register Now** to begin with registration and follow the instructions on the screen to proceed.

# Appendix

## General safety information

When setting up or operating your Joybook, please pay special attention to the following:

1. Keep this manual in a safe place for easy reference when needed.
2. Make sure you follow all instructions and warnings related to the system.
3. Place your Joybook on a stable, level surface, and ensure that the ventilation holes are not obstructed.
4. Do not expose your Joybook to rain or excess humidity, and keep it away from liquids (such as beverages, faucets, and so on).
5. Do not expose your Joybook to direct sunlight, and keep it away from sources of heat (such as radiators, space heaters, stoves, and so on).
6. Do not expose your Joybook to heavy impacts or strong vibrations. When closing the Joybook, do not use excessive force.
7. Don't use your Joybook near a gas leak.
8. Do not store your Joybook in environments where the temperature is below 0°C or above 50°C, nor use your Joybook in environments where the temperature is below 5°C or above 35°C. Otherwise system performance will be adversely affected.
9. Do not use your Joybook near water, for example near a bathtub, wash bowl, kitchen sink or laundry tub, in a wet basement or near a swimming pool.
10. Do not place the Joybook in the vicinity of strong magnetic fields.
11. Use an appropriate electrical outlet, and make sure that no heavy objects are placed on the AC adapter or power cord.
12. The AC adapter is a high-voltage component. Do not attempt to repair it yourself. Should it become damaged, please contact an authorized BenQ distributor or service center.
13. Make sure that the modem port is used only with a regular analog phone line. Do not connect a digital phone line to the modem port, as this will cause damage to the modem.

## Safety information about the battery

Caution: There is a high risk of explosion if the battery is incorrectly replaced. Replace only with the same or equivalent type recommended by the battery equipment manufacturer. Discard used batteries according to battery manufacturer's instructions.

## Safety information about the AC adapter

- Use only the AC adapter supplied with your Joybook. Use of another type of AC adapter will result in malfunction and/or danger.
- Do not use the adapter in a high moisture environment. Never touch the adapter when your hands are wet.
- Allow adequate ventilation around the adapter when using it to operate the device or charge the battery. Do not cover the AC adapter with paper or other objects that will reduce cooling. Do not use the AC adapter while it is inside a carrying case.
- Connect the adapter to a proper power source. The voltage requirements are found on the product case and/or packaging.
- Do not use the adapter if the cord becomes damaged.
- Do not attempt to service the adapter. There are no service parts inside. Replace the unit if it is damaged or exposed to excess moisture.



## Safety information about the modem

### Caution

Never connect telephone wiring during a lightning storm. There may be a remote risk of electric shock from lightning.

## Disposal of Waste Electrical and Electronic Equipment by users in private households in the European Union.



This symbol on the product or on the packaging indicates that this can not be disposed of as household waste. You must dispose of your waste equipment by handing it over to the applicable take-back scheme for the recycling of electrical and electronic equipment. For more information about recycling of this equipment, please contact your city office, the shop where you purchased the equipment or your household waste disposal service. The recycling of materials will help to conserve natural resources and ensure that it is recycled in a manner that protects human health and environment.

## Declaration of Conformity



For the following equipment:

Type of Equipment:

**Notebook PC**

Brand name or mark:

**BenQ**

Model designation(s)/Model no(s):

**DHR503; Joybook A52/C41 Series**

Company name, address, telephone & fax no.

Name: BenQ Europe B.V.

Ekkersrijt 4130, 5692 DC Son Address:

The Netherlands

TEL/Fax: +31 (499) 750 500 /+31 (499) 750-599

is herewith confirmed to comply with the requirements set out in the Council Directive on the Approximation of the Laws of the Member States relating Electromagnetic Compatibility (89/336/EEC) and Low Voltage Directive (73/23/EEC) and R&TTE Directive (99/05/EEC).

For the evaluation regarding the electromagnetic compatibility, the following standards were applied:

**EN55022:1998/A1:2000/A2:2003**

**EN 61000-3-2:2000**

**EN 61000-3-3:1995/A1:2001**

**EN 55024:1998/A1:2001/A2:2003**

**IEC 60950-1 and/or EN60950-1, First Edition**

**EN 301489-1 V1.4.1:2002**

**EN 301489-17 V1.2.1:2002**

**ETSI EN 300328 (V1.5.1:2004-03)**

**ETSI EN 301893 (V1.2.3:2003-08)**

# Safety instructions for Poland, Romania, Slovenia, Bulgaria, Latvia, and Croatia

## Polski

1. Należy upewnić się, że zastosowano się do wszystkich instrukcji i ostrzeżeń dotyczących systemu.
2. Nie należy umieszczać komputera w miejscach oddziaływania silnych pól magnetycznych.
3. Ostrzeżenie: Nieprawidłowa wymiana baterii może spowodować jej wybuch. Baterię można wymienić wyłącznie na baterię tego samego lub zamiennego typu zalecanego przez producenta urządzenia. Zużyte baterie należy usuwać zgodnie z instrukcjami producenta.
4. Podłącz zasilacz do prawidłowego źródła zasilania. Wymagania dotyczące zasilania znajdują się na obudowie produktu i/lub na opakowaniu.
5. Nie należy używać zasilacza jeśli przewód jest uszkodzony.
6. Nie należy próbować naprawiać urządzenia. Wewnątrz nie ma części, które można naprawiać. Urządzenie należy wymienić, jeśli zostanie uszkodzone lub narażone na oddziaływanie nadmiernej wilgoci.
7. Nigdy nie należy instalować kabli telefonicznych podczas burzy z wyładowaniami atmosferycznymi.

## România

1. Asigurați-vă că respectați toate instrucțiunile și avertismentele privitoare la sistem.
2. Nu plasați computerul într-o zonă cu puternice câmpuri magnetice.
3. Pericol de explozie dacă bateria este încercuită. Înlucuiți numai cu același tip sau cu un tip echivalent recomandat de producătorul echipamentului. Aruncați bateriile folosite în conformitate cu instrucțiunile producătorului.
4. Conectați adaptorul la o sursă de tensiune corectă. Cerințele privind tensiunea se găsesc pe carcasa produsului și/sau pe ambalaj.
5. Nu folosiți adaptorul dacă se defectează cordonul.
6. Nu încercați să depanați aparatul. În interior nu există componente depanabile. Înlucuiți aparatul dacă acesta se deteriorează sau este expus la umezeală în exces.
7. Nu instalați niciodată cablu telefonic în timpul unei furtuni cu fulgere.

## Slovensko

1. Glede sistema sledite navodilom in opozorilom.
2. Računalnika ne postavljajte na mesta z močnim magnetnim poljem.
3. V primeru nepravilne namestitve akumulatorja obstaja nevarnost eksplozije. Nadomestite ga le z isto ali ekvivalentno vrsto, priporočeno s strani proizvajalca opreme. Rabljen akumulator odstranite skladno z navodili proizvajalca.
4. Adapter spojite na primeren vir napajanja. Napetostne zahteve so navedene na ohišju izdelka in/ali njegovi embalaži.
5. V primeru, da je napajalni kabel poškodovan, adapterja ne uporabljajte.
6. Ne postopajte se popravljanja enote. Znotraj ni nobenih delov, ki bi jih bilo mogoče popraviti. Če je enota poškodovana ali izpostavljena visoki vlagi, jo nadomestite z novo.
7. Nikoli ne nameščajte telefonske linije med nevihto z grmenjem.

## Български

1. Следвайте всички инструкции и предупреждения относно системата.
2. Не слагайте компютъра на място със силно магнитно поле.
3. Опасност от експлозия при погрешна смяна на батерията. Използвайте само същия или еквивалентен тип батерия, препоръчан от производителя на оборудването. Изхвърляйте старите батерии съгласно инструкциите на производителя.
4. Свържете адаптера към подходящ източник на храняване. Изискванията към напрежението са посочени на корпуса на продукта и/или опаковката.
5. Не използвайте адаптера, ако кабелът се повреди.
6. Не се опитвайте да поправяте продукта. В него няма части, които могат да се поправят. Сменете продукта, ако се повреди или ако бъде изложен на прекомерна влага.
7. Никога не инсталирайте телефонни кабели по време на гръмотевична буря.

## **Latviski**

1. Sekojiet visām sistēmai atbilstošajām norādēm un brīdinājumiem.
2. Nenovietojiet datoru tuvu spēcīgiem magnētiskajiem laukiem.
3. Nepareizi nomainīts akumulators var uzsprāgt. Mainiet akumulatoru tikai pret tādu pašu vai līdzvērtīgu ražotāja ieteiktu akumulatoru. Utilizējiet izlietotos akumulatorus saskaņā ar ražotāja norādēm.
4. Pievienojiet adapteri atbilstoši strāvas padevei. Strāvas padeves parametrus Jūs varat atrast uz produkta korpusa un/vai iepakojuma.
5. Nelietojiet adapteri, ja ir bojāts tā vads.
6. Nemēģiniet labot iekārtu pašrocīgi. Detaļu bojājumu gadījumā vai arī, ja tā bijusi pakļauta mitruma ietekmei, griezieties autorizētā servisa centrā.
7. Nekad nelietojiet un neveiciet telefona līnijas pieslēgumu negaisa laikā.

## **Hrvatski**

1. Pridržavajte se svih uputa i upozorenja u vezi sa sustavom.
2. Ne postavljajte računalo u područje jakih magnetskih polja.
3. Nepravilna zamjena baterije izazvat će opasnost od eksplozije. Prilikom zamjene, koristite istu ili ekvivalentnu vrstu baterije koju je preporučio proizvođač. Rabljene baterije odložite prema uputama proizvođača.
4. Mrežni prilagodnik priključite na odgovarajući izvor napajanja. Propisani napon naveden je na kućištu proizvoda i/ili pakiranju.
5. Ne koristite mrežni prilagodnik kojem je oštećen kabel.
6. Ne pokušavajte servisirati uređaj. U uređaju se ne nalaze dijelovi koje možete popraviti. Uređaj zamijenite u slučaju oštećenja ili izloženosti prekomjernoj vlazi.
7. Nikada ne instalirajte ožičenje telefona za vrijeme grmljavine.

<Memo>

## Free Manuals Download Website

<http://myh66.com>

<http://usermanuals.us>

<http://www.somanuals.com>

<http://www.4manuals.cc>

<http://www.manual-lib.com>

<http://www.404manual.com>

<http://www.luxmanual.com>

<http://aubethermostatmanual.com>

Golf course search by state

<http://golfingnear.com>

Email search by domain

<http://emailbydomain.com>

Auto manuals search

<http://auto.somanuals.com>

TV manuals search

<http://tv.somanuals.com>