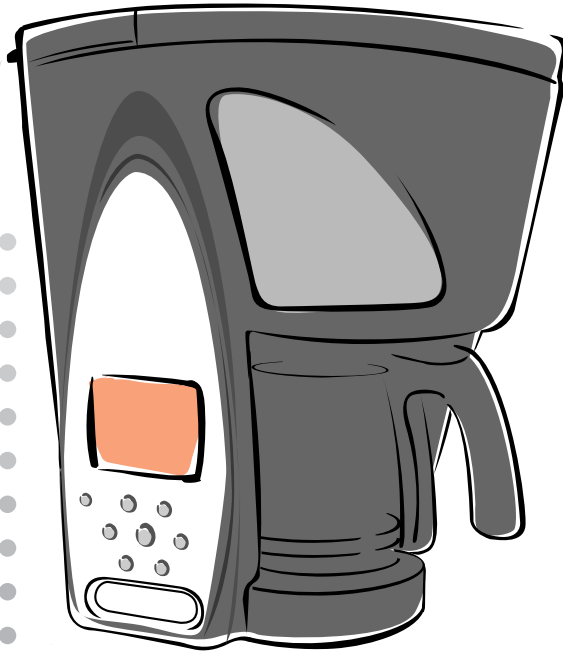


WBYCM2

coffee maker



beyondTM
appliances





Westinghouse®

Download from www.Son Manuals.com. All Manuals Search And Download.



Definition of Terms

| | |
|---|--|
|  WARNING! | Hazards or unsafe practices which could result in serious personal injury or death. |
|  CAUTION! | Hazards or unsafe practices which could result in minor personal injury or product damage. |

Read and Save These Instructions



WARNING!

Risk of fire or electrical shock.

A risk of fire and electrical shock exists in all electrical appliances and may cause personal injury or death. Please follow all safety instructions.



WARNING!

Risk of electrical shock.

Do not remove the bottom cover. The Coffee Maker does not have user-serviceable components. Repairs must be performed by authorized service personnel only.



WARNING!

Risk of burns.

This Coffee Maker generates heat and escaping steam during use. Use proper precautions to prevent the risk of burns, fires or other injury to persons or damage to property.



WARNING!

Risk of burns / hot overflow.

During the brew cycle, to prevent injury from hot overflow, replace the carafe within 20 seconds. Pour slowly when the carafe is full.

1. Important Safeguards

When using electrical appliances, basic safety precautions should always be followed, including the following:

1. Read all instructions.
2. Do not touch hot surfaces. Use handles or knobs
3. To protect against electric shock, do not place cord, plugs, or appliance in water or other liquid.
4. Close supervision is necessary when any appliance is used by or near children.
5. Unplug from outlet when not in use and before cleaning. Allow to cool before putting on or taking off parts, and before cleaning the appliance.
6. Do not operate any appliance with a damaged cord or plug or after the appliance malfunctions, or has been damaged in any manner. Contact Consumer Service for examination, repair or adjustment.
7. The use of an accessory not evaluated for use with this appliance may cause injuries.
8. Do not use outdoors.
9. Do not let cord hang over edge of table or counter, or touch hot surfaces.
10. Do not place on or near a hot gas or electric burner, or in a heated oven.

11. To disconnect, turn the appliance off, then remove plug from wall outlet.
12. Do not use appliance for other than intended use.
13. Be certain Lids are securely in place before operating appliance.
14. Scalding may occur if the lid is removed during the brewing cycles.
15. The carafe is designed for use with this appliance. It must never be used on a range top.
16. Do not set a hot carafe on a wet or cold surface.
17. Do not use a cracked Carafe or a Carafe having a loose or weakened handle.
18. Do not clean carafe with cleansers, steel wool pads, or other abrasive material.
19. Do not operate any damaged appliance. Do not operate with a damaged cord or plug, or after the appliance malfunctions or has been dropped or damaged in any manner. Return the appliance to the nearest authorized service center for examination, repair, electrical or mechanical adjustment.
20. Use accessory attachments only if recommended by manufacturer.
21. Do not use while standing in a damp area.

Save These Instructions

FOR HOUSEHOLD USE ONLY.

Additional Important Safeguards:

WARNING: This appliance generates heat and escaping steam during use. Proper precautions must be taken to prevent the risk of burns, fires, or other injury to persons or damage to property.

1. All users of this appliance must read and understand this Owner's Manual before operating or cleaning this appliance.
2. The cord to this appliance should be plugged into a 120V AC electrical outlet only.
3. Use **water only** in this appliance! Do not put any other liquids or food products in this appliance. Do not mix or add anything to the water placed in this appliance, except as instructed in the User Maintenance Instructions to clean the appliance.
4. **DO NOT** attempt to move an appliance containing hot liquids. Allow appliance to cool completely before moving.
5. Keep appliance at least 4 inches away from walls or other objects during operation. Do not place any objects on top of appliance while it is operating. Place the appliance on a surface that is resistant to heat.
6. If this appliance begins to malfunction during use, immediately unplug the cord. Do not use or attempt to repair the malfunctioning appliance.

7. If this appliance falls or accidentally becomes immersed in water or any other liquid, unplug it immediately. **Do not reach into the water! Do not use this appliance after it has fallen into or has become immersed in water.** Contact Consumer Service for examination and repair.
8. Do not leave this appliance unattended during use.
9. The appliance must be left to cool down sufficiently before adding more water to avoid splattering.
10. Always use fresh, cool water in your appliance. Warm water or other liquids, except as listed in cleaning section, may cause damage to the appliance.
11. **DO NOT** put Carafe into a microwave.
12. **DO NOT** leave empty Carafe on Warming Plate when appliance is turned ON, as the Carafe may crack or become otherwise damaged.
13. **DO NOT** lift Filter Basket Lid until brewing is complete, and all parts have cooled.
14. **CAUTION:** To prevent injury when utilizing Pause and Pour (drip-stop) feature, replace Carafe within 20 seconds of removing during brewing process.

Polarized Plug

This appliance has a polarized plug, (one blade is wider than the other). To reduce the risk of electric shock, this plug is intended to fit into a polarized outlet only one way. If the plug does not fit fully in the outlet, reverse the plug. If it still does not fit, contact a qualified electrician. Do not attempt to modify the plug in any way.

Short Cord Instructions

A short power-supply cord is provided to reduce the risk resulting from becoming entangled in or tripping over a longer cord.

Do not use an extension cord with this product.

Electrical Power

If the electric circuit is overloaded with other appliances, your Coffee Maker may not operate properly. It should be operated on a separate electric circuit from other operating appliances.

2. Introduction

Thank you for purchasing the Beyond Mill & Brew Coffee Maker.

The Beyond Mill & Brew Coffee Maker integrates two products into one space-saving unit. The built-in coffee mill grinds your whole coffee beans to the desired level of coarseness (you can choose from seven settings, or turn the mill off to use pre-ground coffee) -- and then proceeds directly into the brewing process, eliminating the mess of transferring grounds and the countertop clutter of two large appliances.

Using the Coffee Maker's control panel, you can set the system to make coffee immediately or program a brew time up to 24 hours in advance so you have fresh-brewed coffee ready first thing in the morning.

The mill assembly includes a permanent stainless-steel filter basket, so purchasing paper coffee filters is unnecessary. In addition, the Coffee Maker has a 10-cup Water Window for determining how many cups you're making and a hidden cord storage compartment for stowing the electrical cord.

Networking

NOTE: To use the networking features of your Coffee Maker you must also have an iCEBOX™ Kitchen Entertainment Center.

Your Beyond Coffee Maker comes ready to install a SANI™ (Smart Appliance Network Interface) Wireless Network card. When the card is properly installed in the Coffee Maker, your Coffee Maker is able to exchange information with an iCEBOX™. This means you never have to set the time or date on your Coffee Maker and you can use the iCEBOX's easy-to-use touch-screen interface to program different brew times for each day of the week. To purchase a Sani Wireless Network card or other Beyond products, please visit the Beyond website www.beyondconnectedhome.com.

Coffee Maker Features:

- Beyond Connected Appliance communication via the SANI™ Wireless Network Interface
- Built in Mill & Brew capability
- Time of day and week set automatically (network mode only)
- Contemporary stainless steel and black styling
- 10-cup capacity
- LCD with bright blue backlight
- 'Pause & Pour' allows you to pour a cup of coffee during the brew cycle

Before using your Coffee Maker for the first time, please take a few minutes to familiarize yourself with the information in this manual.

3. Unpack Your Beyond Mill & Brew Coffee Maker

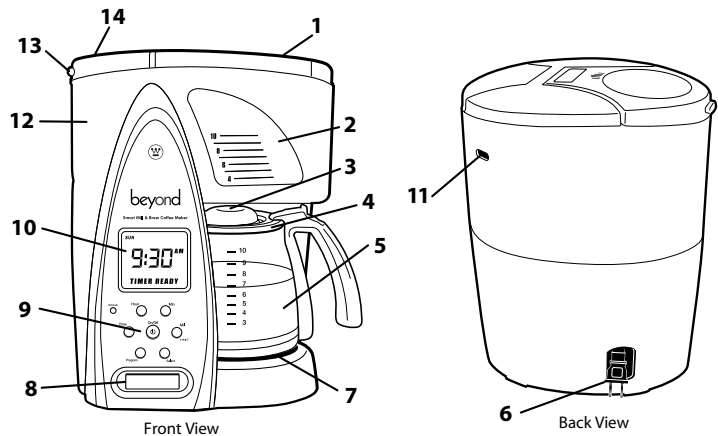
Carefully remove the Beyond Mill & Brew Coffee Maker and all other contents from the carton.



If there is any damage to the Coffee Maker, contact your Beyond retailer or contact Beyond Customer Relations at 1-800-233-9054 (in the US) between 8 - 5:30 CST, Monday through Friday, or by e-mail at consumer_relations@toastmaster.com

4. Coffee Maker Features and Controls

Note: Your product may vary slightly from illustration.



1. Water Reservoir Lid

Lift to pour water into the reservoir

2. Water Window

Markings indicate water needed to make corresponding cups of brewed coffee -10 cups max.

3. Pause and Pour

Stops flow of coffee from brew chamber when carafe is removed from the warming plate so a cup can be poured in mid-brew, if desired. Since the extraction rate varies during the brew cycle, we recommend allowing the brewing cycle to finish before pouring the finished coffee.

4. Carafe Lid (P/N 31190)

Special design minimizes oxygen flow into carafe to help preserve coffee flavor.

5. Carafe w/Lid (P/N 31191)

10 cup capacity with a sturdy, easy-grip handle.

6. Cord Storage

Unused cord may be stored inside the hidden cord storage compartment to keep counters neat.

7. Warming Plate:

Scratch resistant with a non-stick coating to prevent carafe from sticking.

8. SANI Card Slot (Model Number WBYSM2)

When a SANI card is installed (optional, sold separately) the Beyond Coffee Maker can exchange information with an ICEBOX™.

9. Control Panel

Allows you to manually set the clock, automatic brewing times, view/enter your Home Code and to manually start and stop brewing.

10. LCD Display

Shows the time of day, day of the week (network mode, only) and Coffee Maker status.

11. Overflow slot

If too much water is poured into the reservoir the excess drains through this opening

12. Coffee Mill

Includes a permanent stainless steel filter basket with integrated stainless steel blades

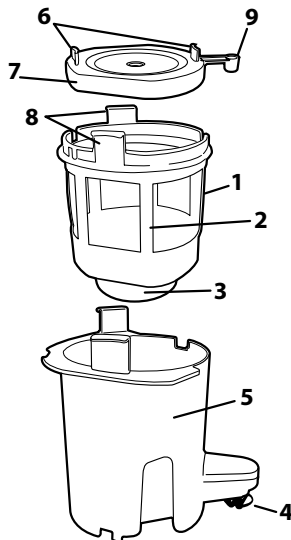
13. Coffee Mill Lid Latch

Press in latch to release lid

14. Coffee Mill Lid:

Press button to open

Coffee Mill Assembly



1. Filter Basket (P/N 30640)

Permanent stainless steel basket makes paper coffee filters unnecessary

2. Maximum Fill Level

To prevent overflows, do not place more than 8 scoops (tablespoons) of coffee beans in the filter basket

3. Blades

Stainless steel blades

4. Pause & Pour Switch

During brewing: when the carafe is seated properly on the warming plate, the Pause & Pour switch is depressed, allowing brewed coffee to flow into the carafe. If the carafe is removed from the warming plate, the Pause & Pour switch is in the 'out' position preventing brewed coffee from leaving the brew chamber.

NOTE: To prevent overflows during the brew cycle, replace the carafe within 20 seconds.

5. Brew Chamber (P/N 31193)

Holds the filter basket and blades and funnels brewed coffee into the carafe.

6. Filter Basket Lid Tabs

Use tabs to remove filter basket lid when hot.

7. Filter Basket Lid (P/N 30639B)

Specially designed openings distribute hot water over coffee grinds for optimal brewing.

8. Filter Basket Tabs

Use tabs to remove filter basket when hot.

9. Safety Interlock Switch

This switch prevents coffee brewing from beginning unless the coffee mill assembly is seated properly in the brew chamber and the Coffee Maker lid is closed securely.

Control Panel

Use the control panel to program all of the Coffee Maker's functions.



On/Off:

Press to toggle Coffee Maker on or off.

Select:

Press to select grind setting (see instructions on page 12).

Hour:

Press to set hours when setting the time manually.

Min:

Press the set minutes when setting time manually.

Time:

Press to set time of day or programmed start time.

Network:

Press to connect your Coffee Maker to an iCEBOX via a wireless network. Please refer to instructions beginning on page 14.

LCD display:

Displays time of day, date and Coffee Maker status.

Program:

Press to enter a preset brew time.

5. Before Using Your Mill & Brew Coffee Maker for the First Time

Clean the Carafe and Coffee Mill Assembly

NOTE: Unplug the Coffee Maker during cleaning!

1. Clean the carafe, carafe lid, the filter basket and filter basket lid in warm soapy water. Rinse thoroughly and dry.
2. Make sure the Coffee Maker is off. **DO NOT USE COFFEE.**
3. Fill the water reservoir to the 10-cup mark with cold water.
4. Insert the filter basket and filter basket lid into the Coffee Maker taking care to seat it properly. Close the Coffee Mill lid

NOTE: The Coffee Mill lid must be closed securely in order for the brew cycle to begin.

5. Plug in the Coffee Maker, a default time setting and GRIND will appear in display. Press On/Off and the Coffee Maker will begin to grind and ON GRIND will appear in the display. After a few seconds, the water will begin to cycle through the Coffee Maker and into the carafe. ON will appear in the display.

NOTE: A time will also appear in the display. To set the clock for the accurate time, follow the procedure in Setting the Clock below.

6. When the carafe is full, HEAT ON will appear on the display.
7. Press On/Off to turn off the Coffee Maker. Discard the water in the carafe. Wait 10 minutes to allow heating elements to cool. Repeat this procedure one more time.

CAUTION: BLADES ARE SHARP. DO NOT ATTEMPT TO DISASSEMBLE COFFEE MILL ASSEMBLY.

Setting the Clock

If your Coffee Maker is NOT on a SANI network, follow these steps to set the clock manually:

NOTE: You do not have to set the clock in order to brew coffee.

1. Press and hold Time until the time display begins to flash, then release. To adjust the hour press Hour repeatedly until the desired hour is displayed. To advance the display rapidly, press and hold Hour. Be sure to set the correct AM or PM hour.
2. To adjust the minute; press minute repeatedly until the desired time is displayed. To advance the display rapidly, press and hold Minute.
3. When the desired time is set the display will flash. Press Time to save your setting **or the setting will automatically be saved** if you don't press the Time button and return to a normal display.

6. Making Coffee

Coffee Yield

A 5-ounce cup is the American industry standard and is used by most coffee maker manufacturers. The Beyond Coffee Maker makes a maximum of 10 five-ounce cups as indicated by the 10 coffee cup markings on the Water Window. Your favorite mug will accommodate approximately two standard "cups" (or 10 ounces) of coffee. For best results, we do not recommend preparing less than four cups (or 20 ounces) of coffee.

Manual Brewing

NOTE: Use this procedure for milling and brewing coffee if you are not using an iCEBOX to interface with your Coffee Maker,;

1. Plug the Coffee Maker into 120V~60Hz outlet.
2. Fill the reservoir with cold, fresh water. The markings on the Water Window indicate level of water required to brew the desired number of cups. Place the carafe securely onto warming plate.

NOTE: Take care to seat the carafe squarely beneath the brew chamber. If it is even slightly off center, the Pause & Pour feature will prevent brewed coffee from flowing into the carafe and the coffee may overflow.

3. Remove the filter basket lid. Using the scoop provided with your Coffee Maker, measure the desired amount of roasted whole-bean coffee into the filter basket. (We recommend one scoop per every two cups of brewed coffee.) Replace the filter basket lid taking care to seat it securely on the filter basket.

NOTE: You may substitute ground coffee for coffee beans. When using ground coffee PRESS Mill and set to "0".

4. Select the desired grind setting by pressing Mill. 4 (medium grind), the default setting, appears in the display. To adjust the grind setting press Mill repeatedly to display the seven different grind settings until the desired setting appears in the display. GRIND will appear in the display. "1" is the coarsest grind, "7" is the finest.
5. Press On/Off. The coffee mill will begin grinding the coffee beans. ON GRIND will appear in the display during grinding. Brewing will begin. ON will appear in the display during brewing.
6. When brewing is complete HEAT ON will appear in the display. The warming plate will keep your coffee at the ideal serving temperature for one hour. The Coffee Maker shuts off automatically after one hour.
7. To turn off the Coffee Maker, press On/Off.

For best results:

- To avoid overflow, do not fill the reservoir past the Max Line.
- Do not make fewer than four cups (20 ounces).
- To keep coffee hot, return the carafe to the warming plate after serving.
- To avoid damage to the carafe, do not allow an empty carafe to remain on a hot warming plate.
- To avoid scalding and burns, do not open the filter basket lid until all liquid has emptied into the carafe.
- Allow Coffee Maker to cool for 10 minutes before brewing another pot.

Pause-and-Pour

Your Coffee Maker is equipped with Pause & Pour. This feature allows you to pour a cup of coffee before your coffee is finished brewing. At any time while your coffee is brewing, you may remove the carafe from the warming plate and pour a cup of hot coffee. No coffee will drip from the brew chamber. To resume brewing, simply place the carafe back on the warming plate.

NOTE:

- To prevent the filter basket from overflowing, do not remove the carafe for longer than 20 seconds.
- Strength of coffee poured mid-cycle may vary in strength from finished brew.

7. Manually Programming a Preset Brewing Time

1. Press and hold **Program** for two seconds. The **TIME** display will flash.
2. Press **Hour and Min** to advance the minutes to the desired time.
3. When the desired time appears, press **Program** to save your automatic brewing time.

To Activate Automatic Brewing

a. Press **Program** to briefly display the time for preset brewing to begin.

TIMER will appear in the display.

b. To activate automatic brewing, press **Select**.

TIMER READY will appear in the display.

The Coffee Maker will begin brewing at the programmed time.

c. When the coffee is ready **ON READY** will appear in the display. The Coffee Maker will stay on for one hour and then automatically shut itself off. You may turn the Coffee Maker off manually at any time by pressing **On/Off**.

NOTE: If TIMER READY appears in the display, the Coffee Maker will attempt to brew at the programmed time each day. If there is no water in the reservoir, the unit will automatically shut off within one minute. To disable automatic brewing, press **Select**.

8. Adding Your Beyond Coffee Maker to Your iCEBOX Appliance Network

Your iCEBOX can act as a network gateway and command center for the Beyond Connected Appliances, including the Beyond Microwave, Bread Maker and Coffee Maker. In order to network your Beyond Appliances, you must connect the SANI antenna to your iCEBOX, and also install SANI cards in the appliances you want to network.

Once the antennas are in place, and your appliances are connected, they can be monitored through the iCEBOX My Kitchen mode.

NOTES:

- If you do not have an **iCEBOX**, skip this procedure.
- A SANI card is available for your Coffee Maker. For more information on using the **SANI Card** please refer to the instruction booklet provided with the **SANI card**.
- Additional information can be found in your **iCEBOX** Owner's Manual and on the Beyond web site at www.beyondconnectedhome.com.

To add your Coffee Maker to your iCEBOX appliance network:

- Make sure that the SANI antenna is connected to the rear of the **iCEBOX**.
- Insert a SANI card into the slot at the base of the Coffee Maker's control panel.



1



4

1. On your iCEBOX front panel, keyboard or remote, press the **Options** button then tap the onscreen **My Kitchen** button. Select **Add Appliance**.
2. On the Appliances Screen, select the **Settings** tab then press **Add Appliance**.
3. On the Coffee Maker control panel, press the **Network** button.
4. The iCEBOX and the Coffee Maker will attempt to connect. The iCEBOX screen will display a **Scanning For Appliances** dialog. Press **OK**.
5. When a connection is established, **NETWORK** will appear in the Coffee Maker's display and the Coffee Maker's time and date will be synchronized with the iCEBOX's time/date settings.
6. The iCEBOX will display a message **Coffee Maker detected**. An active Coffee Maker icon and the Coffee Maker's current status will appear on the screen.



2

NOTE: If your appliance fails to connect, press and hold the Network button on the appliance for 10 seconds, then attempt to connect again.

You are now able to set the Coffee Maker's brew schedule, start or stop brewing and check the Coffee Maker's status from your iCEBOX screen.



9. Using the iCEBOX to Set Your Coffee Maker's Brew Schedule

1. On the iCEBOX: In My Kitchen mode, choose **Appliances**. Tap the Coffee Maker icon to make it active then choose **Set Brew Schedule**.
2. Use the drop down menus to select start time, "keep warm" and grind settings. Make your settings active by clicking the **On** box.
3. To save your settings press **Save Schedule to Coffee Maker**. To cancel or clear your settings, press **Reset**.



NOTES:

- The Coffee Maker must be armed in a ready state (**READY** appears in the Coffee Maker's display) in order for brewing to occur.
- You may override the preset schedule at any time by selecting **Brew Now** on the iCEBOX Appliance screen.
- You can brew coffee manually at any time using the Coffee Maker's control panel. Programmed brew times set on the Coffee Maker's control panel will take precedence over the brew schedule set on the iCEBOX.

10. Removing Your Coffee Maker from the iCEBOX Network

1. On your iCEBOX front panel, keyboard or remote, press the **Options** button then tap the onscreen **My Kitchen** button. Select **Remove Appliance**.
2. In the Remove Appliance dialog, tap **Coffee Maker** to select, then tap **Remove** and **OK**.
3. The Coffee Maker icon will "gray out." On your Coffee Maker display **NETWORK** will disappear.



1

2

11. More About Making a Great Cup of Coffee

There are only two ingredients that go into making a great cup of coffee: water and coffee. The quality and freshness of both ingredients is critical to producing a delicious cup of coffee.

Water

Although a cup of coffee is 98% water, water quality is often taken for granted when brewing coffee. Chemicals added to tap water and minerals that are naturally present in the water will influence the taste and aroma of brewed coffee. The freshest purest water available is essential to brewing a great cup of coffee.

Coffee

To brew a great cup of coffee you need to begin with freshly roasted, high quality coffee beans. Ideally, you should purchase your coffee weekly or bimonthly to make sure that your coffee is as fresh as possible. Always store your coffee in an airtight container away from direct light and heat. The airtight container preserves the volatile flavors of the coffee, maintains the coffee's moisture level and keeps out odors.

In an airtight container, coffee can be stored at room temperature (away from direct light and heat) or in the refrigerator. Storing coffee in the freezer is not recommended. Freezing coagulates the coffee's natural oils and causes ice crystals to form adversely affecting the coffee's flavor and aroma. Since refrigerators and freezers have automatic dehumidifiers to remove moisture from the interior of the appliance, an airtight storage container is crucial.

Grind

The grind is critical in proper flavor extraction. If the grind is too fine, over-extraction and bitterness will result. Too fine a grind may also clog your filter. If grind is too coarse, the water will pass through too quickly and the desired flavors will not be extracted.

Proportion

The cups on the Beyond Coffee Maker are 5 ounces. Add approximately 1 spoon of coffee beans per every two cups of coffee to be brewed.

NOTE: Do not place more than 8 spoons of beans in the mill.

When using ground coffee, the Specialty Coffee Association of America recommends adding 2 rounded tablespoons of coffee per 5 ounces of water, but use more or less to suit your taste.

NOTE: The maximum capacity for ground coffee is 15 tablespoons. Exceeding this amount may cause the filter basket to overflow if the coffee is too finely ground.

12. Cleaning and Maintenance

Coffee is naturally oily. A build up of coffee oils on the Coffee Maker will adversely affect the taste of new pots of coffee. For best results, completely clean and dry all removable parts after every use.

When cleaning your Coffee Maker, please observe the following precautions:

- Make sure the Coffee Maker is off. Unplug and allow the coffee maker to cool completely before cleaning.
- NEVER IMMERSE THE CORD , PLUG OR COFFEE MAKER IN WATER OR OTHER LIQUID.
- Do not use metal cleaning pads or abrasive cleaners.

Daily

Wash all removable parts in warm, soapy water. Rinse thoroughly and dry. If necessary, use a small brush, such as a toothbrush, to clean carafe lid, the bottom of the filter basket and around the Pause & Pour switch.

Monthly

Mineral deposits from tap water can clog the Coffee Maker or reduce its efficiency and adversely affect the taste of the coffee. For best coffee brewing results, the Coffee Maker should be cleaned once a month with a solution of vinegar and water.

To remove mineral deposits from the Coffee Maker:

1. Pour 1/2 cup of vinegar into the carafe. Add cold water up to the 4 cup mark (20 ounces). Pour the vinegar/water mixture into the water chamber.
2. Insert the filter basket. **DO NOT USE COFFEE!**
3. Press On/Off to start the brew cycle.
4. When the brew cycle is finished, turn the Coffee Maker off. Carefully remove the carafe and place on a heat resistant surface.
5. Wait 15 minutes. Pour the same vinegar/water solution back into the Coffee Maker.
6. Turn the Coffee Maker on again. Allow the vinegar/water solution to cycle through the Coffee Maker. When the brew cycle is finished, turn the Coffee Maker off and discard the vinegar/water solution.
7. To rinse: Allow Coffee Maker to cool for 15 minutes. Fill the carafe with cold fresh water. Pour the water into the water chamber and press On/Off. When the brew cycle is complete discard the water. Repeat with another carafe of fresh water. Discard the rinse water and the paper filter.
8. Wash and dry all removable parts. Wipe the exterior of the Coffee Maker with a damp cloth.

NOTE: Any servicing requiring disassembly other than the above cleaning must be performed by a qualified appliance repair technician.



13. Troubleshooting Guide

If the Coffee Maker lid is not closed securely brewing will not begin. If the lid is opened during the brew cycle, brewing will stop. To restart the brewing process, make sure the Coffee Mill lid is positioned correctly then close the Coffee Maker lid pressing down until the latch clicks into place.

14. Contacting Consumer Service

IMPORTANT NOTICE

If any parts are missing or defective, DO NOT return this product. Please call our Consumer Service Department for assistance.

1-800-233-9054 Monday - Friday 8:00 am - 5:30 pm CST

Thank You

15. WARRANTY

LIMITED ONE-YEAR WARRANTY

Warranty Coverage: This product is warranted to be free from defects in materials or workmanship for a period of one (1) year from the original purchase date. This product warranty is extended only to the original consumer purchaser of the product and is not transferable. For a period of one (1) year from the date of original purchase of the product, our Repair Center will, at its option, either (1) repair the product or (2) replace the product with a reconditioned comparable model. These remedies are the purchaser's exclusive remedies under this warranty.



Warranty Service: To obtain warranty service, you must call our warranty service number at 1-800-233-9054 for return instructions on how to deliver the product, in either the original packaging or packaging affording an equal degree of protection to the Repair Center specified below. You must enclose a copy of your sales receipt or other proof of purchase to demonstrate eligibility for warranty coverage.

To return the appliance, ship to:

ATTN: Repair Center
708 South Missouri Street
Macon, MO 63552 USA

To contact us, please write to, call, or email:

Consumer Relations Department
PO Box 7366
Columbia MO 65205-7366 USA
1-800-233-9054

E-mail:

consumer_relations@toastmaster.com

What Is Not Covered: This warranty does not cover damage resulting from misuse, accident, commercial use, improper service or any other damage caused by anything other than defects in material or workmanship during ordinary consumer use. This warranty is invalid if the serial number has been altered or removed from the product. This warranty is valid only in the United States and Canada.

LIMITATION ON DAMAGES: THERE SHALL BE NO LIABILITY FOR ANY INCIDENTAL OR CONSEQUENTIAL DAMAGES FOR BREACH OF ANY EXPRESS OR IMPLIED WARRANTY OR CONDITION ON THIS PRODUCT.

DURATION OF IMPLIED WARRANTIES: EXCEPT TO THE EXTENT PROHIBITED BY APPLICABLE LAW, ALL IMPLIED WARRANTIES AND CONDITIONS, INCLUDING, WITHOUT LIMITATION, IMPLIED WARRANTIES AND CONDITIONS OF MERCHANTABILITY AND FITNESS FOR A PARTICULAR PURPOSE OR USE ON THIS PRODUCT ARE LIMITED IN DURATION TO THE DURATION OF THIS WARRANTY.

Some jurisdictions do not allow the exclusion or limitation of incidental or consequential damages, or allow limitations on how long an implied warranty lasts, so the above limitations or exclusions may not apply to you. This warranty gives you specific legal rights and you may have other rights under the laws of your jurisdiction.

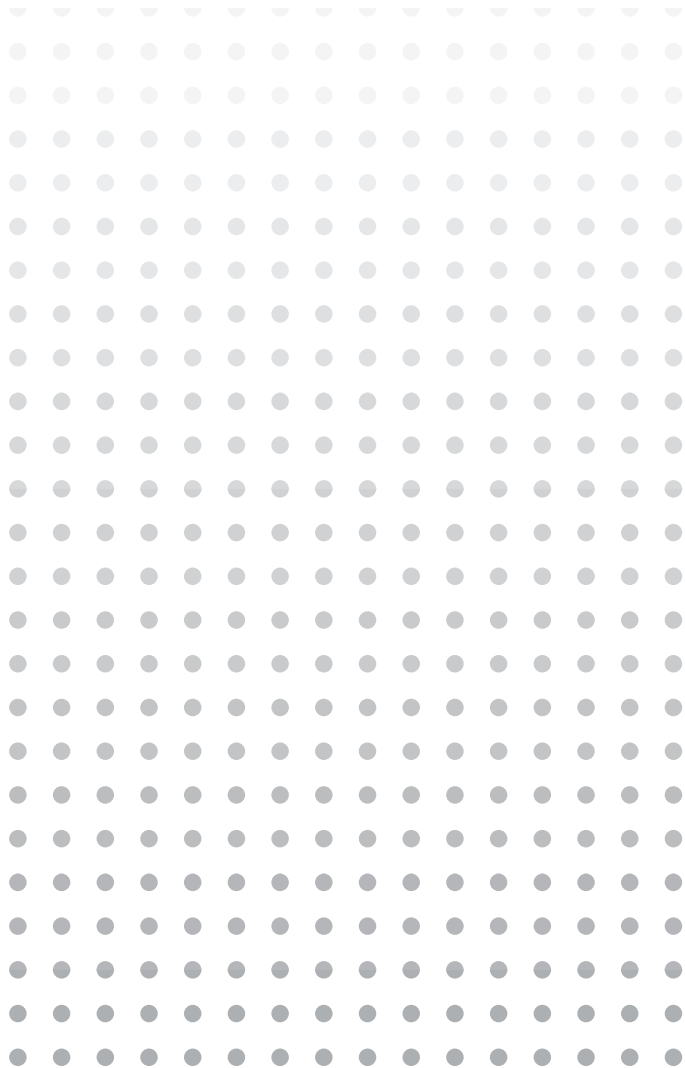
For more information on our products, visit our website: www.maxim-toastmaster.com.

© 2004 Maxim-Toastmaster, Inc.

P/N 61644

All Rights Reserved

Printed in China



Free Manuals Download Website

<http://myh66.com>

<http://usermanuals.us>

<http://www.somanuals.com>

<http://www.4manuals.cc>

<http://www.manual-lib.com>

<http://www.404manual.com>

<http://www.luxmanual.com>

<http://aubethermostatmanual.com>

Golf course search by state

<http://golfingnear.com>

Email search by domain

<http://emailbydomain.com>

Auto manuals search

<http://auto.somanuals.com>

TV manuals search

<http://tv.somanuals.com>