

USB 3.0 4-Port Hub

Connect up to four USB 3.0 devices, such as MP3 players, digital cameras, or printers, to your computer.



1. Specifications

Compliance — FCC Class A, Part 15, Subpart B, CE, RoHS

Connectors — (1) USB Type B upstream port,
(4) USB Type A downstream ports

Power — Self-powered: 5-V, 4-A;
With power adapter: Input: 100–240 V, 50–60 Hz;
Output: 5-V, 4-A

Temperature Tolerance — Operating: +32 to +104° F
(0 to +40° C);
Storage: +14 to +185° F (-10 to +85° C)

Humidity — Up to 95%, noncondensing

Size — 0.9"H x 3.75"W x 2.36"D (2.28 x 9.5 x 5.9 cm)

Weight — Hub only: 2.5 oz. (70.9 g)

2. Overview

Use the USB 3.0 4-Port Hub to connect up to four USB 3.0 devices to your computer at speeds up to 4.8 Gbps.

2.1 Features

- Compatible with the USB 3.0 specification.

- Maintains optimal speeds when using multiple USB devices.
- Automatic self-powered status monitoring
- Plug-and-play
- Has (1) upstream and (4) downstream ports

2.2 What's Included

Your package should contain the following items. If anything is missing or damaged, contact Black Box Technical Support at 724-746-5500 or info@blackbox.com.

- (1) USB 3.0 4-Port Hub
- (1) power adapter
- (1) USB 3.0 cable
- This user's manual

For a typical application diagram and for verify the installation instructions, turn this page over...

Customer Support Information

Order toll-free in the U.S.: Call 877-877-BBOX (outside U.S. call 724-746-5500)
 FREE technical support 24 hours a day, 7 days a week: Call 724-746-5500 or fax 724-746-0746
 Mailing address: Black Box Corporation, 1000 Park Drive, Lawrence, PA 15055-1018
 Web site: www.blackbox.com • E-mail: info@blackbox.com

2.3 Typical Application

Figure 1 shows a typical application.

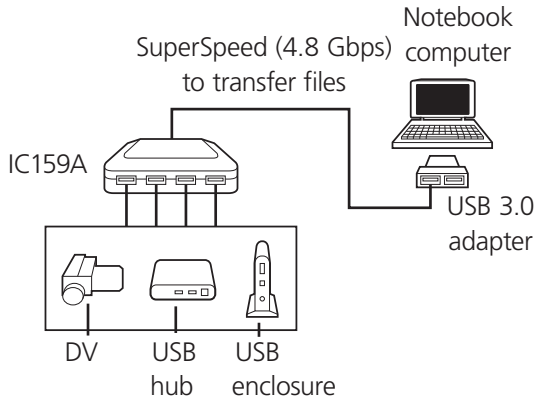


Figure 1. Sample application.

3. Verify the Installation

After you connect this hub to a PC via a USB 3.0 cable, the system will detect the device and install the required drivers automatically. After the installation is finished, go to Device Manager to verify the entire installation. See Figures 2–4.

For Windows® XP:

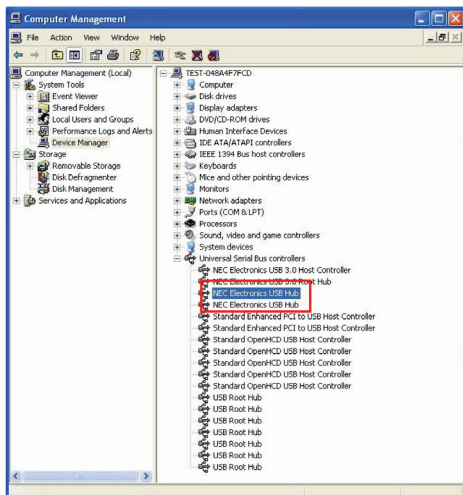


Figure 2. Verify Windows XP installation.

For Windows Vista®:

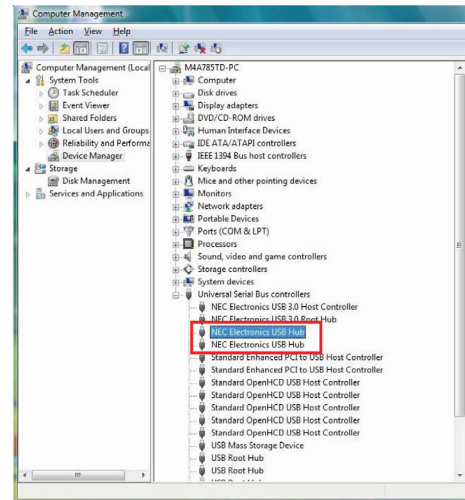


Figure 3. Verify Windows Vista installation.

For Windows 7:

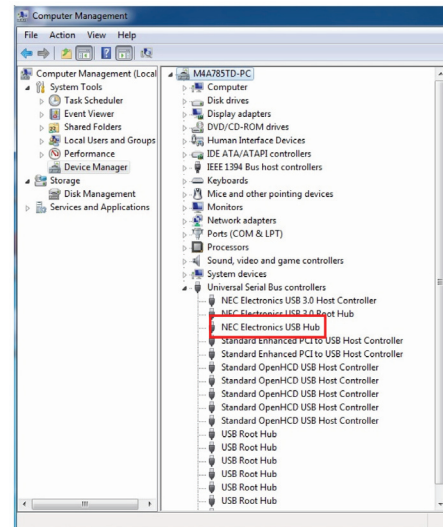


Figure 4. Verify Windows 7 installation.

© Copyright 2011. Black Box Corporation. All rights reserved. Printed in U.S.A. Black Box® and the Double Diamond logo are registered trademarks of BB Technologies, Inc. Windows and Windows Vista are registered trademarks of Microsoft Corporation. Any other third-party trademarks appearing in this publication are acknowledged to be the property of their respective owners.

IC159A, version 1

FREE, live, 24/7 Tech Support is just 30 seconds away.
724-746-5500 | blackbox.com

Download from Www.Somanuals.com. All Manuals Search And Download.

Free Manuals Download Website

<http://myh66.com>

<http://usermanuals.us>

<http://www.somanuals.com>

<http://www.4manuals.cc>

<http://www.manual-lib.com>

<http://www.404manual.com>

<http://www.luxmanual.com>

<http://aubethermostatmanual.com>

Golf course search by state

<http://golfingnear.com>

Email search by domain

<http://emailbydomain.com>

Auto manuals search

<http://auto.somanuals.com>

TV manuals search

<http://tv.somanuals.com>