

GigaTrue® CAT6 Component Level Patch Panels

Make patching transitions from horizontal cable to typical stranded cable.

Meet Category 6 component performance requirements.



Customer Support Information

Order toll-free in the U.S.: Call 877-877-BBOX (outside U.S. call 724-746-5500)
FREE technical support 24 hours a day, 7 days a week: Call 724-746-5500 or fax 724-746-0746
Mailing address: Black Box Corporation, 1000 Park Drive, Lawrence, PA 15055-1018
Web site: www.blackbox.com • E-mail: info@blackbox.com

GigaTrue CAT6 Component Level Patch Panels

1. Specifications

Standards — T568A and T568B

Connectors — JPM610A-R7: (24) RJ-45, (24) 4-pair 110 punchdown;
JPM612A-R7: (48) RJ-45, (48) 4-pair 110 punchdown;
JPM614A-R7: (96) RJ-45, (96) 4-pair 110 punchdown

Size — JPM610A-R7: 1.75"H (1U) x 19"W x 1.25"D (4.4 x 48.3 x 3.2 cm);
JPM612A-R7: 3.5"H (2U) x 19"W x 1.25"D (8.9 x 48.3 x 3.2 cm);
JPM614A-R7: 7"H (4U) x 19"W x 1.25"D (17.8 x 48.3 x 3.2 cm)

Weight — JPM610A-R7: 1.4 lb. (0.6 kg);
JPM612A-R7: 2.8 lb. (1.3 kg);
JPM614A-R7: 5.6 lb. (2.5 kg)

2. Introduction

The Black Box® GigaTrue® CAT6 Patch Panels are component-level panels that enable users to make patching transitions from horizontal cable to typical stranded patch cable. These sturdy panels meet Category 6 component level performance requirements, and universal wiring enables each cable to be terminated to either T568A or T568B wiring schemes. Simply follow the color-coded guides on the panel; they identify the sequence of cable pair terminations.

After ordering a GigaTrue CAT6 Patch Panel, you should have received the following items:

- (1) GigaTrue CAT6 Patch Panel
- (8), (16), or (32) cable ties
- (4) 10-32 cuphead screws
- (4) 12-24 cuphead screws
- (1) bag of stuffer caps
- This users' manual

If anything is missing or damaged, please contact Black Box at 724-746-5500 or info@blackbox.com.

You will also need a punchdown tool (we suggest part number FT025A) to install the patch panel. The punchdown tool is not included with your patch panel.

3. Installation

1. Make sure that the screws on each of the four corners of the patch panel are tightly secured. If necessary, use a screwdriver to tighten each screw.
2. Prepare the cable by stripping about 2 inches (5.1 cm) of the cable jacket. Be careful not to damage the twisted wire!
3. Next, punch down the cable. Place each wire pair next to the appropriate wiring color/label. Refer to Figures 1 and 2 for T568A and T568B color codes.

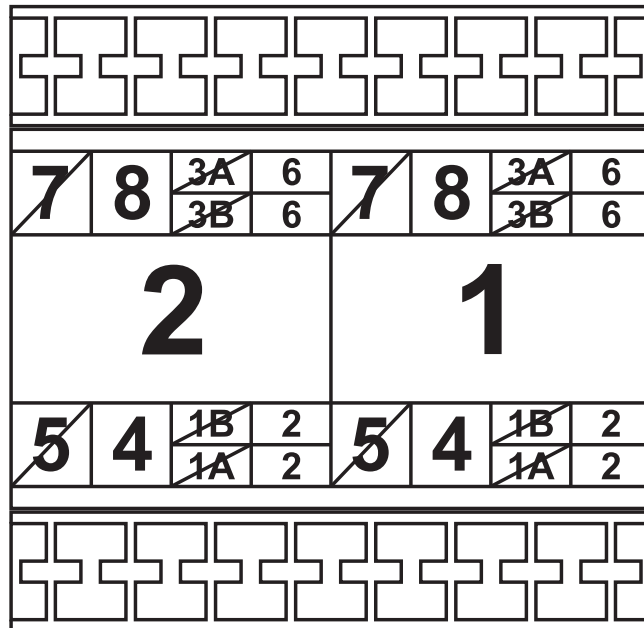


Figure 1. Color codes for T568A/TS568B wiring on the wiring label.

NOTE: For best performance, keep the untwisted part of the wire less than 0.5 inches (1.3 cm) long.

Using a punchdown tool, terminate each wire. Push the 110 punchdown tool to the edge of the 110 connector to trim the conductors. See Figure 2.

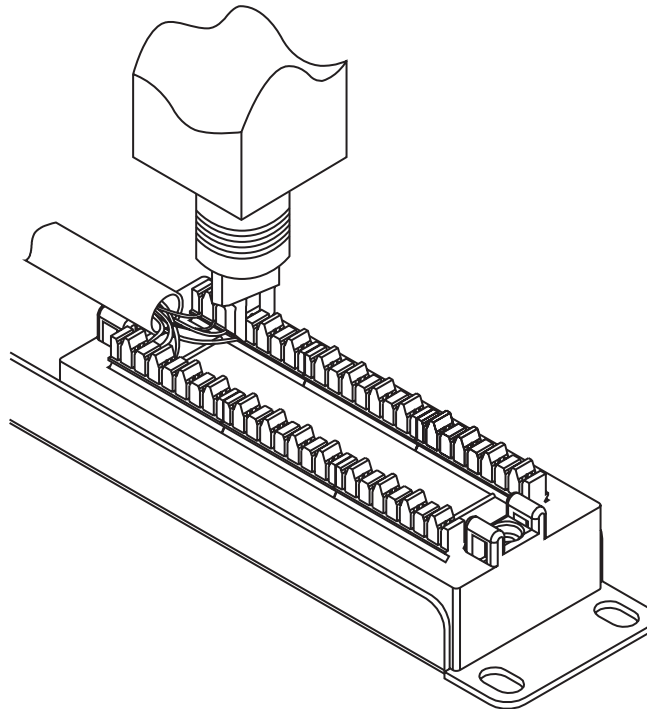


Figure 2. Terminating the wire conductors.

4. Optional: Place the stuffer caps on the terminated 110 blocks for added strain relief.
 5. Finally, connect the patch cord. Plug the patch cord into the patch panel, then connect it to the network equipment.
- Installation is complete.



About Black Box

Black Box provides an extensive range of networking and infrastructure products. You'll find everything from cabinets and racks and power and surge protection products to media converters and Ethernet switches all supported by free, live 24/7 Tech support available in 30 seconds or less.

© Copyright 2012. Black Box Corporation. All rights reserved. Black Box®, the Double Diamond logo, and GigaTrue® are registered trademarks of BB Technologies, Inc. Any third-party trademarks appearing in this manual are acknowledged to be the property of their respective owners.

Free Manuals Download Website

<http://myh66.com>

<http://usermanuals.us>

<http://www.somanuals.com>

<http://www.4manuals.cc>

<http://www.manual-lib.com>

<http://www.404manual.com>

<http://www.luxmanual.com>

<http://aubethermostatmanual.com>

Golf course search by state

<http://golfingnear.com>

Email search by domain

<http://emailbydomain.com>

Auto manuals search

<http://auto.somanuals.com>

TV manuals search

<http://tv.somanuals.com>