

## 5. Installation

### 5.1 Configuration

Place the repeater with the CATx/fiber connectors on the left and the fiber connectors on the right. The main printed circuit board will look like Figure 5.

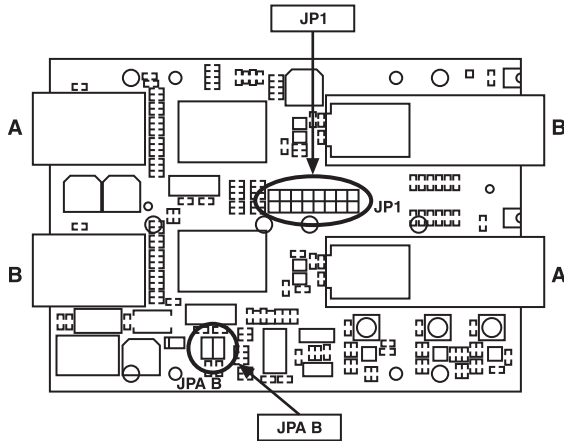


Figure 5. Installation.

#### 5.1.1 Operating Mode, Repeater or Cross Repeater

To change the operating mode from repeater to cross repeater or vice versa, install optical transceivers and reconfigure the repeater.

Table 2. Repeater or cross repeater configuration.

Operating Mode	JP1	JP A B
Repeater or cross repeater		
CATx/fiber cross repeater		

#### 5.1.2 Operating Mode, Dual-Head Cross Repeater

Table 3. Dual-head cross repeater configuration.

Operating Mode	JP1	JP A B
Repeater or cross repeater		
CATx/fiber cross repeater		

## 5.2 Installation Instructions

Attach connectors marked with "A" to cables that link to a local unit. Attach connectors marked with "B" to cables that link to a remote unit.

### 5.2.1 CATx or Fiber Repeater, Multimode/ Single-Mode Cross Repeater

Connect the local device via CATx (or fiber) Connector A and connect the remote device via CATx (or fiber) Connector B.

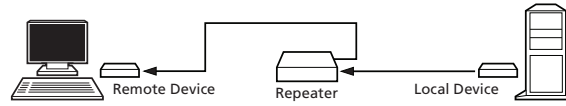


Figure 6. Cross repeater example.

### 5.2.2 CATx/Cross Repeater

Connect the local device via CATx (or fiber) Connector A. Connect Fiber Connector B to Fiber Connector A on the second repeater. Connect the remote device via CATx (or fiber) Connector B.

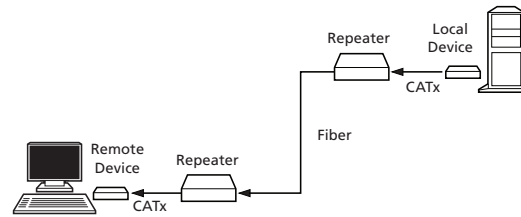


Figure 7. CATx/Cross repeater sample.

### 5.2.3 Dual-Head Cross-Repeater

Connect the local device's CATx port via the connector marked "Cross Repeater Local CATx." Connect the remote device's CATx port via the connector marked "Cross Repeater Remote CATx."

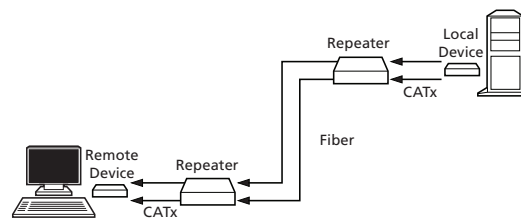


Figure 8. Dual-head cross repeater application.

**Use fiber to extend the distance between two CATx devices.**

READ ME FIRST

### Customer Support Information

Order toll-free in the U.S.:  
 Call 877-877-BBOX  
 (outside U.S. call 1-724-746-5500)

FREE technical support  
 24 hours a day, 7 days a week:  
 Call 724-746-5500 or  
 fax 724-746-0746

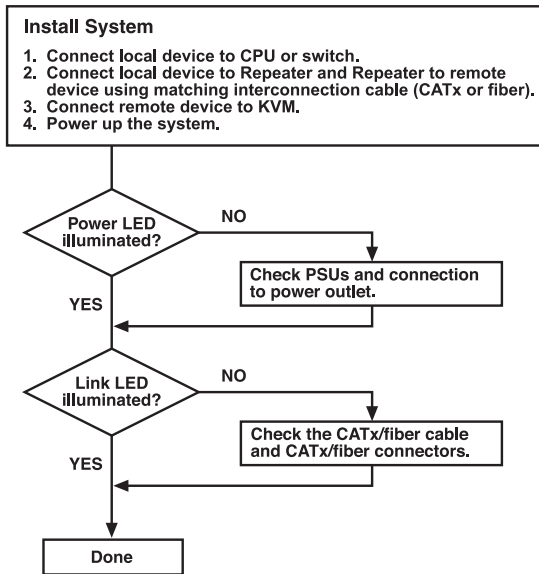
Mailing address:  
 Black Box Corporation  
 1000 Park Drive  
 Lawrence, PA 15055-1018

Web site: [www.blackbox.com](http://www.blackbox.com)  
 E-mail: [info@blackbox.com](mailto:info@blackbox.com)

© Copyright 2010. Black Box Corporation. All rights reserved.  
 Black Box and the Double Diamond logo are registered trademarks of  
 BB Technologies, Inc. Any other trademarks mentioned in this manual  
 are acknowledged to be the property of the trademark owners.

## 1. Quick Setup

This section briefly describes how to install your Repeater or Cross Repeater. Unless you are an experienced user, we recommend that you follow the procedures described in the rest of this guide.



## 2. Installation

For first-time users, we recommend that you carry out a test placement, confined to a single room, before installing it fully. This will enable you to identify and solve any cabling problems, and experiment with the Repeater/Cross Repeater more conveniently.

### 2.1 What's Included

Your package should include the following items. If anything is missing or damaged, contact Black Box Technical Support at 724-746-5500 or info@blackbox.com.

- Repeater/Cross Repeater
- 5-VDC universal power supply
- U.S. power cord
- This Quick Start Guide

## 2.2 System Setup

To install your Repeater/Cross Repeater:

1. Switch off all devices.
2. Connect the interconnect cable to the local device's interconnect socket and the repeater/cross repeater.
3. Connect the interconnect cable to the remote device's interconnect socket and the repeater/cross repeater.
4. Connect the 5-VDC power supply to the repeater.

NOTE: Use only the power supply that you received with this unit or a manufacturer-approved replacement.

## 3. Hardware Description

### 3.1 Device Views

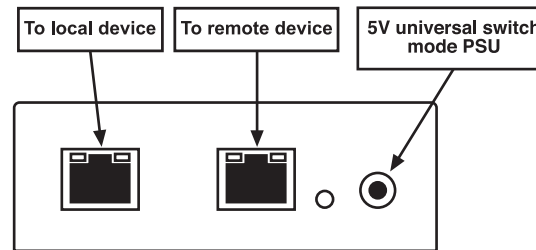


Figure 1. Repeater/cross repeater CATx view.

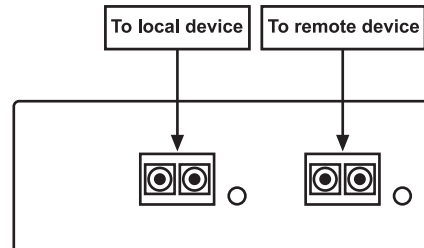


Figure 2. Repeater/cross repeater fiber view.

### 3.2 Diagnostics

Each repeater/cross repeater has three LED indicators: Power, Data Error, and Link Status. The Power LED is next to the power socket.

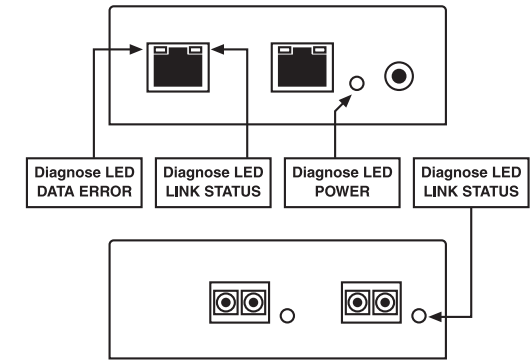


Figure 3. Diagnostic LEDs on the repeater/cross repeater.

Table 1. LED indicators and their functions.

LED	Setting	Description
Power (red)	Off	Device not ready
	On	Device ready
Link Status (green)	Blinking	No interconnect connection via CATx or fiber cable
	On	Device ready
Data Error (green)		Not used

## 4. Service Setup

For most applications, you won't need to make any adjustments to set up your repeater/cross repeater.

For some applications, you may need to open the repeater. Unscrew the UNC-type screws on both sides of the monitor connections. Put the lower and upper shells of the case aside.

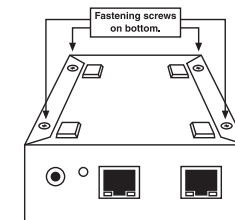


Figure 4. Removing the screws.

## Free Manuals Download Website

<http://myh66.com>

<http://usermanuals.us>

<http://www.somanuals.com>

<http://www.4manuals.cc>

<http://www.manual-lib.com>

<http://www.404manual.com>

<http://www.luxmanual.com>

<http://aubethermostatmanual.com>

Golf course search by state

<http://golfingnear.com>

Email search by domain

<http://emailbydomain.com>

Auto manuals search

<http://auto.somanuals.com>

TV manuals search

<http://tv.somanuals.com>