

Figure 5. IDC slot position.

6. Secure the back cables with the supplied cable ties.

*NOTE: Do not overtighten the cables.*

7. Figure 6 shows a completed installation.

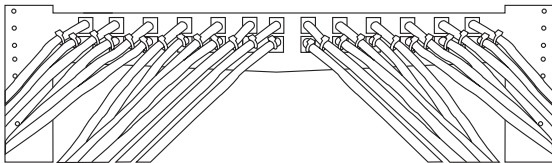


Figure 6. Completed patch panel installation.

Black Box Tech Support: FREE! Live. 24/7. Tech support the way it should be.

Great tech support is just 30 seconds away at 724-746-5500 or [blackbox.com](http://blackbox.com).

### Customer Support Information

Order toll-free in the U.S.:  
Call 877-877-BBOX  
(outside U.S. call 1-724-746-5500)

FREE technical support  
24 hours a day, 7 days a week:  
Call 724-746-5500 or  
fax 724-746-0746

Mailing address:  
Black Box Corporation  
1000 Park Drive  
Lawrence, PA 15055-1018

Web site: [www.blackbox.com](http://www.blackbox.com)

E-mail: [info@blackbox.com](mailto:info@blackbox.com)

© Copyright 2011. Black Box Corporation. All rights reserved.  
Black Box and the Double Diamond logo are registered trademarks of BB Technologies, Inc. Any other trademarks mentioned in this manual are acknowledged to be the property of the trademark owners.

JPMT1024-ANG, rev. 1

JPMT1024-ANG

## 45° Side-Exiting Multimedia Panel

### Angles ports to the sides.

Helps to reduce stress on the ports.  
Horizontal cable management is not required.

## 1. Specifications

**Size:** Without rear base installed: 1.75"H (1U) x 19"W x 0.625"D (4.5 x 48.3 x 1.6 cm);  
With rear base installed: 1.75"H (1U) x 19"W x 5"D (4.5 x 48.3 x 12.7 cm)

**Weight:** 1.5 lb. (0.7 kg)

## 2. Overview

### 2.1 Introduction

The 24-Port 45° Side-Exiting Multimedia Panel angles ports to the sides, which helps reduce stress on the ports and eliminates the need for horizontal cable management. The rear of the panel has an optional cable support bar that provides support to horizontal cables accessing the panel.

## 2.2 What's Included

Your package should include the following items. If anything is missing or damaged, contact Black Box Technical Support at 724-746-5500 or [info@blackbox.com](mailto:info@blackbox.com).

- (1) 45° Side-Exiting Multimedia Patch Panel
- (2) side brackets
- (1) rear cable bar
- (24) cable ties
- (4) 10-32 screws
- (4) 12-24 screws
- This user's manual

## 3. Installation Steps

1. Mount the panel on a 19-inch rack, as shown in Figure 1.

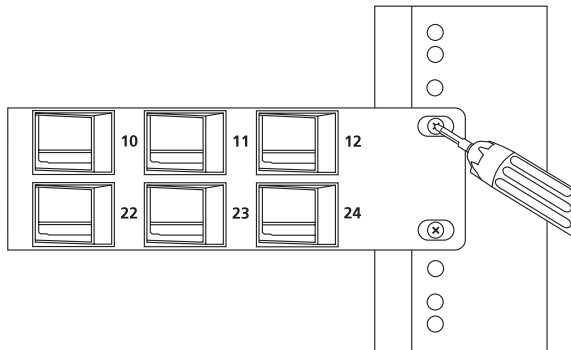


Figure 1. Mounting the panel on a rack.

2. Attach each side bracket to the matching end of the bar according to the same marking. See Figure 2.

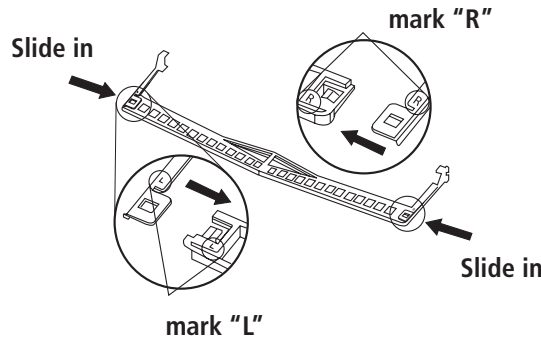


Figure 2. Attaching the side bracket.

3. Snap the rear cable bar into the patch panel, as shown in Figure 3.

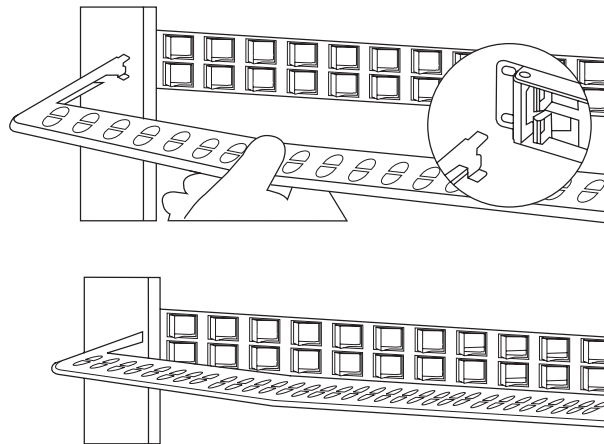


Figure 3. Attaching the rear wire manager.

4. Load the wired keystone jack into the patch panel. Make sure the locking knob is locked first before sliding in the keystone jack or support fitting. See Figure 4.

*NOTE: Ports 1–6 and 13–18 share the same orientation, while ports 7–12 and 19–24 are placed in opposite positions. Be sure to follow the directions during installation.*

*NOTE: For best connector loading sequences, start from the sides and install toward the center.*

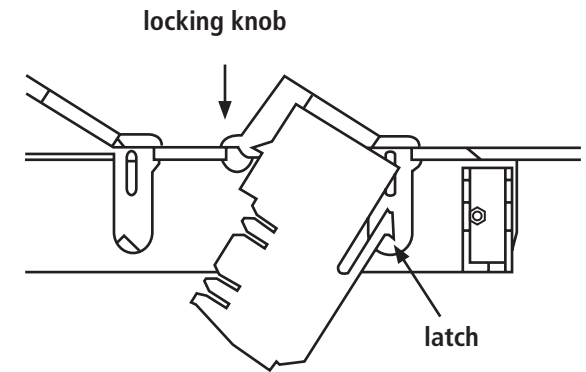


Figure 4. Loading the keystone jack or support fitting.

5. Make sure the IDC slot of the keystone jack faces toward the center of the patch panel, as shown in Figure 5.

## Free Manuals Download Website

<http://myh66.com>

<http://usermanuals.us>

<http://www.somanuals.com>

<http://www.4manuals.cc>

<http://www.manual-lib.com>

<http://www.404manual.com>

<http://www.luxmanual.com>

<http://aubethermostatmanual.com>

Golf course search by state

<http://golfingnear.com>

Email search by domain

<http://emailbydomain.com>

Auto manuals search

<http://auto.somanuals.com>

TV manuals search

<http://tv.somanuals.com>