

Rackmount Remote Power Managers

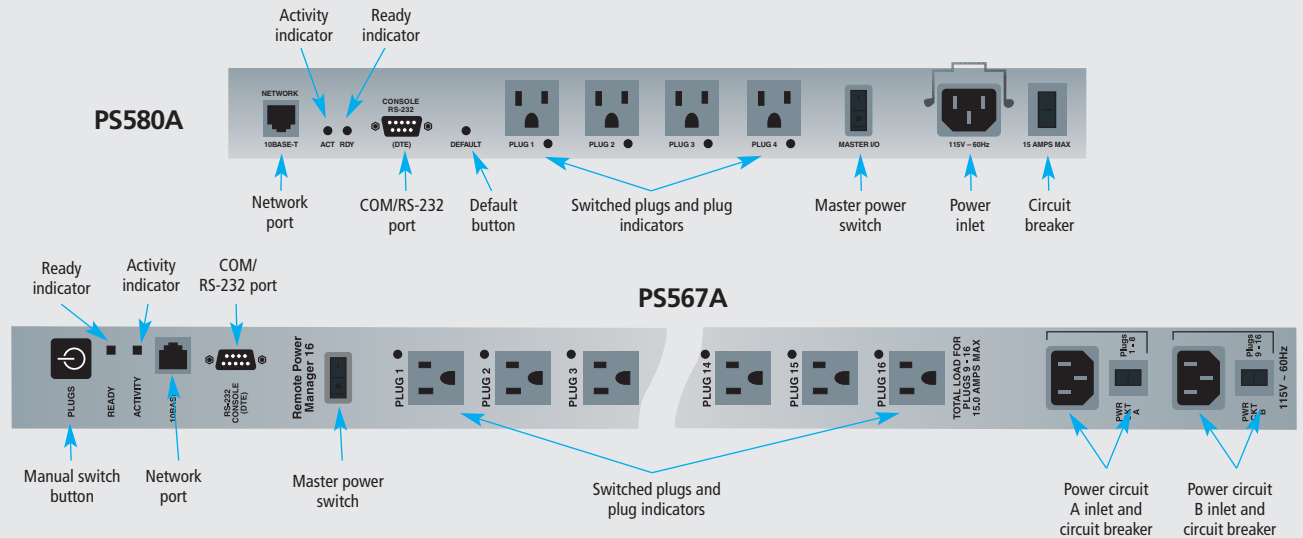


**Control up to 16 devices over a TCP/IP network,
using a modem, or via a PC connection.**

FEATURES

- Work via Telnet over a network, with a browser and a modem, or serial commands from a local console.
- Horizontal models occupy either 1U or 2U of space.
- Vertical models require zero-unit mounting.
- Offer two levels of password security plus encryption.
- Control outlet plugs individually.

Rackmount Remote Power Manager components.



OVERVIEW

Remotely control up to 4, 5, 8, or 16 pieces of powered equipment with BLACK BOX® Rackmount Remote Power Managers.

Use an ASCII command line interface via Telnet™ and a TCP/IP network, a Web browser and a modem, or a local serial PC console that's emulating a terminal. The power manager's 10BASE-T interface is used for network connections, and its RS-232 port is used for modem or console connections.

Because these power managers have a network connection for controlling them remotely, you can avoid having to make a late-night service call simply to reboot a system or flip a power switch. All you do is point your browser to its IP address, enter a password, and power up (or down) or reboot plugged-in equipment from your remote site.

The 4- and 5-outlet power managers each have one power circuit, and the 8- or 16-port managers feature two power circuits (A and B, consisting of Plugs 1-4 or 1-8 for Circuit A or Plugs 5-8 or 9-16 for Circuit B). The maximum amps varies by the model chosen (for details, see TECH SPECS on page 3).

Each outlet plug is individually controllable, so you can switch just one piece of equipment, several devices, or all connected devices at any time.

Choose either a horizontal or vertical power manager. The horizontal models require only 1U or 2U of rack space; the vertical models use zero units of space when mounting to a rack.

You can also choose your power range: 105-120 VAC, 100-120 VAC, 208-240 VAC, or 105-240 VAC.

The power managers feature superior password protection. A user level limits access for regular users to assigned plugs, and an administrator level gives the system administrator access to all configuration and switching functions for maximum control. Plus, encryption protects your valuable data from hackers.

You can configure Rackmount Remote Power Managers over the TCP/IP network, through a modem link, or locally through the console port. A standard JavaScript enabled browser (such as Microsoft® Internet Explorer or Netscape® Navigator) or an ASCII text menu can be used as the interface to communicate with Remote Power Managers.

The power managers are easy to set up and configure. You can assign location names (or numbers) for the plugs, set system parameters, and view plug status using simple commands. A serial parameters menu is used to configure the power managers' console port for baud rate, parity, and modem initialization string. A network parameters menu enables you to assign IP and gateway addresses, define the maximum segment size that will be sent by the power manager, and set a subnet mask and IP security parameters.

Once configured, you can save parameters to memory, so they remain intact even if power to the Rackmount Remote Power Manager is interrupted, and to an ASCII file in order to create a backup of your defined configuration—which is helpful for copying parameters to other power manager units that'll operate with the same parameter settings.

TECH SPECS

Data Format — PS580A–PS581A, PS565A: Serial ASCII, 8 bits, no parity;
PS568A, PS590A-520P, PS590A-L520P, PS569A, PS591A-520P,
PS591A-L520P, PS582A–PS583A: Serial ASCII, 7/8 bits, no parity,
300 bps–38.4 kbps;

PS567A, PS592A-520P, PS592A-L520P, PS584A: Serial ASCII, 8 bits,
no parity; 7 bits, odd/even, 300 bps–38.4 kbps

Protocols — HTTP, Telnet, RS-232

User Controls — PS580A–PS581A, PS565A: (1) manual control button,
(1) circuit breaker;

PS568A, PS590A-520P, PS590A-L520P, PS569A, PS591A-520P,
PS591A-L520P, PS582A–PS583A, PS567A, PS592A-520P,

PS592A-L520P, PS584A: (1) manual control button, (2) circuit breakers

Connectors — All: RS-232C: (1) DB9 M (DTE);
Network: (1) RJ-45 (10BASE-T Ethernet);

PS580A: AC input: (1) IEC 320 inlet;

AC output: (4) NEMA 5-15 outlets;

PS568A, PS590A-520P, PS590A-L520P: AC input: (2) IEC 320-C14 inlets;

AC output: (8) NEMA 5-15 outlets;

PS569A, PS591A-520P, PS591A-L520P: AC input: (2) IEC 320-C14 inlets;

AC output: (16) NEMA 5-15 outlets;

PS581A: AC input: (1) IEC 320-C14 inlet;

AC output: (4) IEC 320-C13 outlets;

PS582A: AC input: (2) IEC 320-C14 inlets;

AC output: (8) IEC 320-C13 outlets;

PS583A: AC input: (2) IEC 320-C14 inlets;

AC output: (16) IEC 320-C13 outlets;

PS565A: AC input: (1) IEC 320 inlet;

AC output: (5) NEMA 5-15 outlets;

PS567A, PS592A-520P, PS592A-L520P: AC input: (2) IEC 320 inlets;

AC output: (16) NEMA 5-15 outlets;

PS584A: AC input: (1) IEC 320-C14 inlet;

AC output: (16) IEC 320-C13 outlets

Indicators — All models: (1) Activity, (1) Ready;

PS580A–PS581A: (4) Plug;

PS565A: (5) Plug;

PS568A, PS590A-520P, PS590A-L520P, PS582A: (8) Plug;

PS569A, PS591A-520P, PS591A-L520P, PS583A, PS592A-520P,

PS592A-L520P, PS567A, PS584A: (16) Plug

Temperature Tolerance — Operating: 32 to 122°F (0 to 50°C)

Humidity Tolerance — 10 to 90%, noncondensing

Power — PS580A: AC input: 105–120 VAC, 60 Hz, 15 amps max.;

AC output: (4) plugs, supporting a load of 15 amps total;

PS568A: AC input: 100–120 VAC, 50/60 Hz, 15 amps max. per circuit;

AC output: (8) plugs split into (2) 15-amp circuits with

Power Circuit A (Plugs 1–4) and Power Circuit B (Plugs 5–8)

supporting a load of 30 amps total;

PS590A-520P, PS590A-L520P: AC input: 100–120 VAC, 50/60 Hz,

20 amps max. per circuit;

AC output: (8) plugs split into (2) 20-amp circuits with

Power Circuit A (Plugs 1–4) and Power Circuit B (Plugs 5–8)

supporting a load of 40 amps total;

PS569A: AC input: 100–120 VAC, 50/60 Hz, 15 amps max. per circuit;
AC output: (16) plugs split into (2) 15-amp circuits with
Power Circuit A (Plugs 1–8) and Power Circuit B (Plugs 9–16)

supporting a load of 30 amps total;

PS591A-520P, PS591A-L520P: AC input: 100–120 VAC, 50/60 Hz,
20 amps max. per circuit;

AC output: (16) plugs split into (2) 20-amp circuits with
Power Circuit A (Plugs 1–8) and Power Circuit B (Plugs 9–16)

supporting a load of 40 amps total;

PS581A: AC input: 208–240 VAC, 50/60 Hz, 10 amps max.;

AC output: (4) plugs, supporting a load of 10 amps total;

PS582A: AC input: 208–240 VAC, 50/60 Hz, 10 amps max. per circuit;
AC output: (8) plugs split into (2) 10-amp circuits with

Power Circuit A (Plugs 1–4) and Power Circuit B (Plugs 5–8)

supporting a load of 20 amps total;

PS583A: AC input: 208–240 VAC, 50/60 Hz, 10 amps max. per circuit;
AC output: (16) plugs split into (2) 10-amp circuits with

Power Circuit A (Plugs 1–8) and Power Circuit B (Plugs 9–16)

supporting a load of 20 amps total;

PS565A: AC input: 105–120 VAC, 60 Hz, 15 amps max.;

AC output: (5) plugs, supporting a load of 15 amps total;

PS567A: AC input: 105–120 VAC, 60 Hz, 15 amps max. per circuit;

AC output: (16) plugs split into (2) 15-amp circuits with

Power Circuit A (Plugs 1–8) and Power Circuit B (Plugs 9–16)

supporting a load of 30 amps total;

PS592A-520P, PS592A-L520P: AC input: 105–120 VAC, 60 Hz,

20 amps max. per circuit;

AC output: (16) plugs split into (2) 20-amp circuits with

Power Circuit A (Plugs 1–8) and Power Circuit B (Plugs 9–16)

supporting a load of 40 amps total;

PS584A: AC input: 105–240 VAC, 50/60 Hz, 10 amps max. per circuit;

AC output: (16) plugs split into (2) 10-amp circuits with

Power Circuit A (Plugs 1–8) and Power Circuit B (Plugs 9–16)

supporting a load of 20 amps total

Size — PS580A–PS581A: 1.75"H x 19"W x 4.5"D (4.4 x 48.3 x 11.4 cm);

PS568A, PS590A-520P, PS590A-L520P, PS582A: 1.75"H x 19"W x 7"D

(4.4 x 48.3 x 17.8 cm);

PS569A, PS591A-520P, PS591A-L520P, PS583A: 3.5"H x 19"W x 7"D

(8.9 x 48.3 x 17.8 cm);

PS565A: 21.25"H x 1.75"W x 3"D (54 x 4.4 x 7.6 cm);

PS567A, PS592A-520P, PS592A-L520P: 43.75"H x 1.75"W x 3"D

(111.1 x 4.4 x 7.6 cm);

PS584A: 43.75"H x 2.13"W x 3"D (111.1 x 5.4 x 7.6 cm)

Weight — PS580A–PS581A, PS565A: 6 lb. (2.7 kg);

PS568A, PS590A-520P, PS590A-L520P, PS582A, PS567A, PS592A-520P,

PS592A-L520P, PS584A: 10 lb. (4.5 kg);

PS569A, PS591A-520P, PS591A-L520P, PS583A: 12 lb. (5.4 kg)



PS590A-520P or PS590A-L520P: rear view

Control the power manager via either an ASCII text interface or a Web browser.



PS591A-520P or PS591A-L520P: rear view

```

Remote Power Manager v1.10           Site ID: Black Box — Lawrence, PA
-----
Plug | Name           | Password | Status | Boot/Seq. Delay
-----
1   | Server_1       | (defined) | ON     | 1 Sec
2   | Server_2       | (defined) | ON     | 1 Sec
3   | Router         | (defined) | ON     | 1 Sec
4   | Ethernet_Switch | (defined) | ON     | 1 Sec
5   | DSU/CSU        | (defined) | ON     | 1 Sec

"/H" for help.
RPM>
    
```

PS565A Plug Status screen text interface

PS565A Plug Status screen Web browser interface

WHAT'S INCLUDED

All models:

- ◆ Horizontal or Vertical Rackmount Remote Power Manager

PS590A-520P-PS592A-520P also include:

- ◆ (2) 100-125 VAC, C19 to NEMA 5-20P power cords

PS590A-L520P-PS592A-L520P also include:

- ◆ (2) 100-125 VAC, C19 to twist-lock NEMA 5-20P power cords

Item	Code
Horizontal Rackmount Remote Power Managers	
105-120 VAC Single Circuit, (4) NEMA 5-15 Outlets, 15-Amp	PS580A
100-120 VAC Dual Circuit, (8) NEMA 5-15 Outlets, 15-Amp Dual Circuit, (8) NEMA 5-15 Outlets, 20-Amp	PS568A PS590A-520P
Dual Circuit, (8) NEMA 5-15 Outlets, 20-Amp Twist-Lock Power Cord	PS590A-L520P
Dual Circuit, (16) NEMA 5-15 Outlets, 15-Amp Dual Circuit, (16) NEMA 5-15 Outlets, 20-Amp	PS569A PS591A-520P
Dual Circuit, (16) NEMA 5-15 Outlets, 20-Amp Twist-Lock Power Cord	PS591A-L520P
208-240 VAC	
Single Circuit, (4) IEC-320-C13 Outlets, 10-Amp Dual Circuit, (8) IEC-320-C13 Outlets, 10-Amp	PS581A PS582A
105-240 VAC Dual Circuit, (16) IEC 60320 Outlets, 10-Amp	PS583A
Vertical Rackmount Remote Power Managers	
105-120 VAC Single Circuit, (5) NEMA 5-15 Outlets, 15-Amp Dual Circuit, (16) NEMA 5-15 Outlets, 15-Amp Dual Circuit, (16) NEMA 5-15 Outlets, 20-Amp	PS565A PS567A PS592A-520P
Dual Circuit, (16) NEMA 5-15 Outlets, 20-Amp	PS592A-L520P
105-240 VAC	
Dual Circuit, (16) IEC 60320 Outlets, 10-Amp	PS584A

Free Manuals Download Website

<http://myh66.com>

<http://usermanuals.us>

<http://www.somanuals.com>

<http://www.4manuals.cc>

<http://www.manual-lib.com>

<http://www.404manual.com>

<http://www.luxmanual.com>

<http://aubethermostatmanual.com>

Golf course search by state

<http://golfingnear.com>

Email search by domain

<http://emailbydomain.com>

Auto manuals search

<http://auto.somanuals.com>

TV manuals search

<http://tv.somanuals.com>