

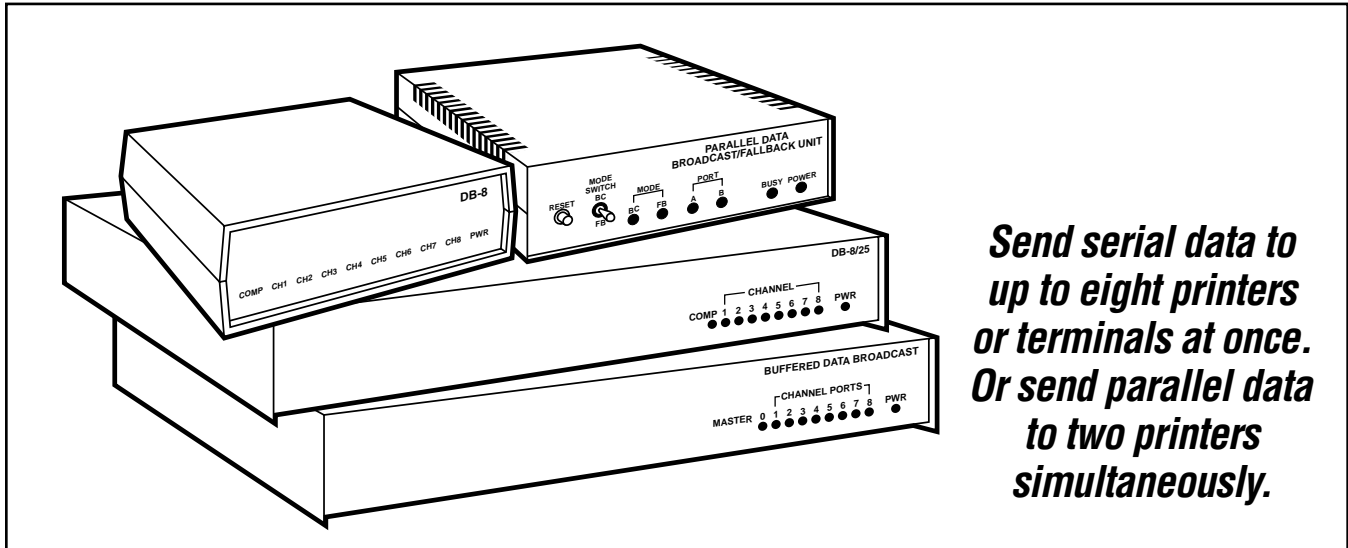
© 2005. All rights reserved.
Black Box Corporation.

BLACK BOX[®]

NETWORK SERVICES

Black Box Corporation • 1000 Park Drive • Lawrence, PA 15055-1018 • Tech Support: 724-746-5500 • www.blackbox.com • e-mail: info@blackbox.com

DATA BROADCAST UNITS



Send serial data to up to eight printers or terminals at once. Or send parallel data to two printers simultaneously.

Key Features

- ▶ **Data Broadcast Units:** Fully regenerate an async host signal and broadcast it out to eight slave ports. Choose from DB25 or RJ-11 versions.
- ▶ **Buffered Data Broadcast Units:** Port buffering lets your connected devices receive data continuously, regardless of their speeds.
- ▶ **Parallel Data Broadcast/Fallback Unit:** Sends parallel data to two printers at once, or "falls back" for continuous data output.

If you want to transmit data to more than one printer or terminal at the same time, choose among our Data Broadcast Units, Buffered Data Broadcast Units, and Parallel Data Broadcast/Fallback Unit. These solutions get the job done—without losing signal strength!

Data Broadcast Units

The Data Broadcast Units enable you to transmit data from any serial async device to up to eight printers, modems, or terminals simultaneously.

The Data Broadcast Units take the RS-232 signal from your async host, divide it among eight slave

ports, and then completely regenerate and broadcast each of those new port signals to their respective devices.

There's a model for DB25 cabling and one for RJ-11 cabling to fit your needs. The DB25 model is available in 115- or 230-VAC versions.

Buffered Data Broadcast Units

The Buffered Data Broadcast Units function in the same way as the Data Broadcast Units, but they also feature individually buffered ports. These let you send async data to devices operating at

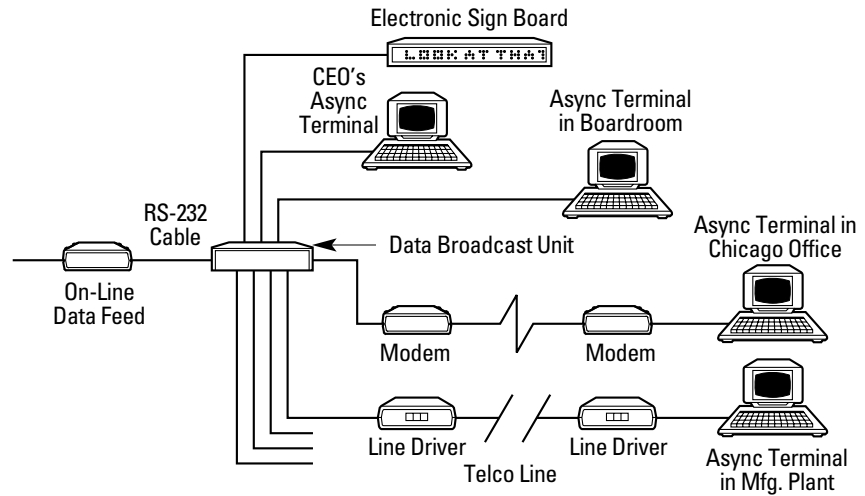
various speeds. You can configure each port for word structure, baud rate, flow control, and DTE or DCE operation.

Versions are available for 115- or 230-VAC power.

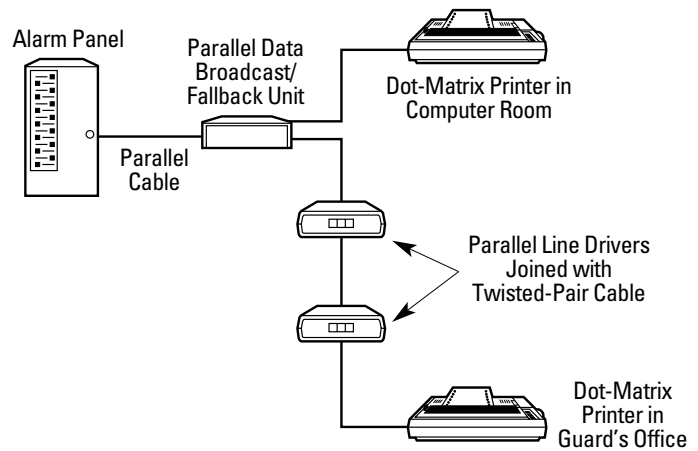
Parallel Data Broadcast/Fallback Unit

This unit lets you send parallel data to two printers simultaneously, or designate a backup printer in case your primary printer fails.

Distribute an on-line data service throughout a corporation using a Data Broadcast Unit.



Enhance a security system with parallel data output using the Parallel Data Broadcast/Fallback Unit.



Technically Speaking

The Data Broadcast Units and Buffered Data Broadcast Units regenerate a serial RS-232 async signal and send it to up to eight terminals or printers simultaneously. The Parallel Data Broadcast/Fallback Unit sends parallel data to two printers at once, or operates in fallback mode to support a backup printer in case your primary printer fails.

Data Broadcast Units

- The DB25 model supports three leads on each port connector: Transmit Data (TXD), Receive Data (RXD), and Signal Ground (SG). Pins 4 and 5 are jumpered internally. Also, pins 6, 8, and 20 are tied internally. The input to the Composite port

is regenerated and simultaneously sent out on the output lead of each of the eight slave ports, channels 1 through 8.

- The RJ-11 model supports pins 2, 3, and 7 only. You will need to order male or female RJ modular adapters for use with this model. See page 4.

Buffered Data Broadcast Units

- These units have an internal buffer that is dynamically allocated to the individual ports. "Dynamic allocation" means that a varying amount of buffer is given to each port as it needs it, instead of having a set size of buffer for each port. Additional buffer amounts can be shifted to

ports that are receiving information faster than they can transmit it out to another port(s). Since this allows the buffer to be used most efficiently, system throughput increases. The dynamic allocation works in both directions—when a host is transmitting to the ports and when the ports are transmitting to the host.

- Buffered Data Broadcast Units support four slave devices and one master device. They have 32 KB of RAM, with approximately 29.4 KB devoted to buffering. You can expand their channel port capacity and/or RAM with the following items:

- A 4-Port Expansion Card that provides 4 additional input ports.
- A 32-KB Memory Expansion Card that also provides 25.4 KB more bytes of buffer.

Parallel Data Broadcast/Fallback Unit

- A front-panel switch lets you select from two modes.
- Broadcast mode enables you to get printouts from two locations at the same time.
- In fallback mode, if your primary printer fails, your output will automatically switch to an identical secondary printer, so you will be sure to get your printout.

Specifications for the Data Broadcast Units

Flow Control: Software only, transparent to speed and data

Pins Supported:

TL158A-R4, TL158AE-R3: 4, 5, 6, 8, and 20;
TL159A: 2, 3, and 7

Protocol: Async

Speed: Transparent

User Channels: 8

CE Approval: TL158AE-R3

Interface: RS-232 (DTE/DCE)

Connectors:

TL158A-R4, TL158AE-R3:
(9) DB25 F;
TL159A: (9) RJ-11 F

Indicators: (10) LEDs: PWR,
Channels 1 through 8 active,
COMP active

Power: TL158A-R4: Wallmount
power supply, 115 VAC, 60 Hz
@ 50 mA, 60 W;

TL158AE-R3: External power
supply (IEC connector),
230 VAC, 50 Hz;

TL159A: Wallmount power supply,
120 VAC, 60 Hz, 6 W

Size: TL158A-R4, TL158AE-R3:

2.3"H x 12.2"W x 11.1"D
(5.8 x 31 x 28.2 cm);

TL159A: 1.5"H x 5.5"W x 8.5"D
(3.8 x 14 x 21.6 cm)

Weight: TL158A-R4, TL158AE-R3:

8.3 lb. (3.8 kg);
TL159A: 2.4 lb. (1.1 kg)

Specifications for the Buffered Data Broadcast Units

Buffer Size: 32 KB (expandable to
64 KB with optional TL484)

Data Format: Each port can be
configured for 7 or 8 bits; odd,
even, or no parity

Flow Control: Hardware or software,
transparent to speed and data

Pins Supported: 1, 2, 3, 4, 5, 6, 7, 8,
20, and 22

Protocol: Async, ASCII

Speed: 110 bps to 19.2 kbps (port
selectable)

User Channels: 4 (expands to 8)

CE Approval:

TL160A-R2, TL160AE-R2, TL160-C

Interface:

RS-232, DTE/DCE selectable

Connectors:

TL160A-R2, TL160AE-R2:
(5) DB25 F;
with TL160-C: (9) DB25 F

Indicators: (10) LEDs: (1) Power,
(9) Port Activity

Operating Environment:

Temperature: 32 to 113°F
(0 to 45°C);

Humidity: Up to 95%
noncondensing

Mean Time Between Failures

(MTBF): TL160A-R2, TL160AE-R2:
20,000 hours;
with TL160-C: 16,000 hours

Power:

TL160A-R2: Wallmount power
supply, 115 VAC, 60 Hz, 175 mA,
20 W;

TL160AE-R2: External power
supply (IEC connector),
230 VAC, 50 Hz, 90 mA, 20 W

Size: TL160A-R2, TL160AE-R2:

2.3"H x 12.2"W x 11.1"D
(5.8 x 31 x 28.2 cm)

Weight: TL160A-R2, TL160AE-R2:

7.5 lb. (3.4 kg);
TL160-C: 8.1 lb. (3.7 kg)

Specifications for the Parallel Data Broadcast/Fallback Unit

Data Format: Parallel, 8 bits

Flow Control: Busy, acknowledge
busy

Speed: 40,000 characters per
second

Switches: (1) Mode toggle switch,
toggles between broadcast (BC)
and fallback (FB)

NOTE: In fallback mode,
use identical parallel printers.
The initialization string sent to
the primary printer does not
carry over to the secondary
printer.

Interface: Centronics® and IBM® PC
parallel compatible

Connectors: (3) DB25 F

Indicators: (6) LEDs: Power, Busy,
Port A, Port B, Broadcast Mode,
Fallback Mode

Power: Wallmount power supply,
115 VAC, 60 Hz

Size: 2.1"H x 6"W x 8.1"D
(5.3 x 15.2 x 20.6 cm)

Weight: 2.1 lb. (1 kg)

What's Included

All models include a power supply
and a users' manual.

Ordering Information

ITEM	CODE
Data Broadcast Units	
DB25	
115-VAC	TL158A-R4
230-VAC	TL158AE-R3
RJ-11	TL159A
<i>To rackmount the DB25 models, order...</i>	
Rackmount Bracket	TL486
<i>The RJ-11 model requires...</i>	
RJ Modular Adapter	
Male.....	FA252
Female.....	FA253
<i>For optimum performance and a 20% savings, order...</i>	
RJ-11 (4-Wire) Modular Cable, Straight-Pinned, 7-ft. (2.1-m)	EL04MS-07
RS-232 Cable, 25-Conductor, 10-ft. (3-m)	ECM25C-0010
Buffered Data Broadcast Units	
115-VAC	TL160A-R2
230-VAC	TL160AE-R2
<i>To enhance your Buffered Data Broadcast Units, order...</i>	
4-Port Expansion Card	TL160-C
32-KB Memory Expansion Card	TL484
<i>For optimum performance and a 20% savings, order...</i>	
RS-232 Cable, 25-Conductor, 10-ft. (3-m)	ECM25C-0010
Parallel Data Broadcast/Fallback Unit	PI070A
<i>For long-distance connections, order a pair of...</i>	
Short-Haul Modem-B Parallel-T (Transmitter)	
Standalone	ME806A
Card.....	ME806-C
Short-Haul Modem-B Parallel-R (Receiver)	
Standalone	ME807A
Card.....	ME807-C
<i>For printer connections...</i>	
Parallel Printer Cable, 10-ft. (3-m), Male/Male.....	EYN600-0010-MM
<i>For CPU connections...</i>	
Extended-Distance/Quiet Cable, 25 Conductors, 10-ft. (3-m), Male/Male.....	EMN25C-0010-MM

Free Manuals Download Website

<http://myh66.com>

<http://usermanuals.us>

<http://www.somanuals.com>

<http://www.4manuals.cc>

<http://www.manual-lib.com>

<http://www.404manual.com>

<http://www.luxmanual.com>

<http://aubethermostatmanual.com>

Golf course search by state

<http://golfingnear.com>

Email search by domain

<http://emailbydomain.com>

Auto manuals search

<http://auto.somanuals.com>

TV manuals search

<http://tv.somanuals.com>