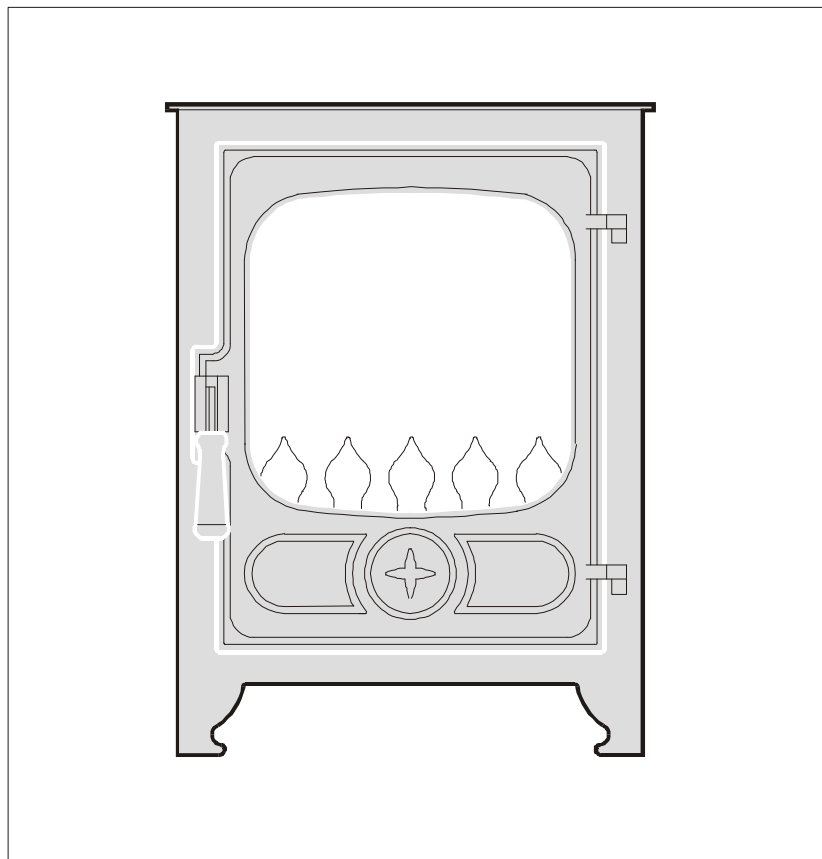


CHARNWOOD GROSVENOR



Operating and Installation Instructions



A. J. WELLS & SONS

Bishops Way, Newport, Isle Of Wight, PO30 5WS, U.K.
Tel: (01983) 537799 Fax: (01983) 5377887

Charnwood Grosvenor Safety Information

Important Information

It is most important that both you, the customer and the installation engineer not only follow the instructions in this booklet, but that you are satisfied that the following conditions have been complied with.

This stove must not be used with any solid fuel, it is only suitable for natural gas or liquefied petroleum gas (LPG) according to the burner unit supplied.

Ensure that the local gas distribution conditions, the nature of the gas pressure and the adjustment of the stove are compatible.

Check that the burner data plate corresponds with the type of gas which is to be used i.e. natural gas or LPG.

The burner unit data plate is attached by a chain to the underside of the burner unit.

The site of the stove i.e. the chimney, the flue and hearth etc., must comply with current Building regulations and Codes of Practice before the stove is installed.

The chimney flue outlet must be correctly positioned to align with the flue outlet on the stove that you have bought. Connection to the chimney, the job of the installation engineer, is detailed in Section 1.

The stove must not be used with the door open.

Safety Reminders

Charnwood stoves are efficient appliances giving off convected, conducted and radiated heat. All the surfaces of the stove (except the controls,) are working surfaces and become hot in use. They must not be touched or have any combustible objects or material placed on or near them. Adequate precautions should always be taken to protect children, the elderly, the infirm and pets, etc. from coming into contact with the stove.

Technical Data

Burner	Gas Flow Rate (m ³ /h)	Input (kW)
Natural Gas (G20)	0.42	4.5
Natural Gas (G25)	0.488	4.5
LPG (G30)	0.103	3.7

Burner	Pilot Model	Injector	Injector Pressure
Nat. Gas (G20)	P4 48 Co Pilot NG20/A/400/M9/BE	BRAY 82/280	14 mbar
Nat. Gas (G25)	P4 48 Co Pilot NG20/A/400/M9/BE	BRAY 82/280	21.5 mbar
LPG (G30)	P4 49 Co Pilot LP37/A/400/M9/BE	BRAY 92/140	16 mbar

Charnwood Grosvenor Operating Instructions

Please go through this section with the installation engineer so that you fully understand all the basic operating and maintenance procedures for your stove.

The engineer will be happy to answer your questions and give you any help you may need.

General Notes

This stove is not for use with any solid fuels. It is only suitable for Natural (mains) Gas or LPG (Liquified Petroleum Gas) when the correct burner is fitted.

Please remember that when the stove is alight it is very hot.

EXCEPT FOR THE CONTROLS NEVER TOUCH THE STOVE WITH YOUR BARE HANDS WHILST IT IS HOT.

The stove must not be touched when it is in operation. However, if you do need to do so after it has been turned off and before it has completely cooled down (usually after about one hour) please make sure that you wear stout oven gloves.

Flue Spillage Safety Monitoring Device A Safety Cut-Off System.

All stoves are fitted with an Oxygen Depletion Sensitive Pilot so that should the flue and/or chimney become blocked at any time, the stove will automatically cut off.

Normally the pilot can be re-ignited after waiting about five minutes for the sensor to cool down, but in the event of the system tripping, have the flue and chimney checked by your installation engineer.

Lighting and controlling the stove.

Remember that the stove is designed to be operated with the door and spinwheel securely closed.

1. Near the stove will be the gas isolation tap. Turn this to the on position.
2. Between the front and rear legs on the right hand side of the stove you will find the burner control knob, as shown in Fig. 1.

a. Switching On/ Ignition.

Depress the control knob and turn counter clockwise. Gas will flow to the pilot burner, the piezo igniter will give off a high voltage spark & the pilot burner will light. (More than one attempt may have to be made on first lighting the fire.) Keep the control knob depressed for approximately 10 seconds to heat up the thermocouple, Turn the control knob fully counter clockwise to release gas to the main burner.

b. Control of Gas Flow.

Turning the control knob clockwise reduces the gas rate from the maximum to the pre-set minimum setting. Turning between maximum & minimum does not actuate the piezo igniter. The control valve can only be set on pilot by depressing the knob & turning it to the pre selected pilot position.

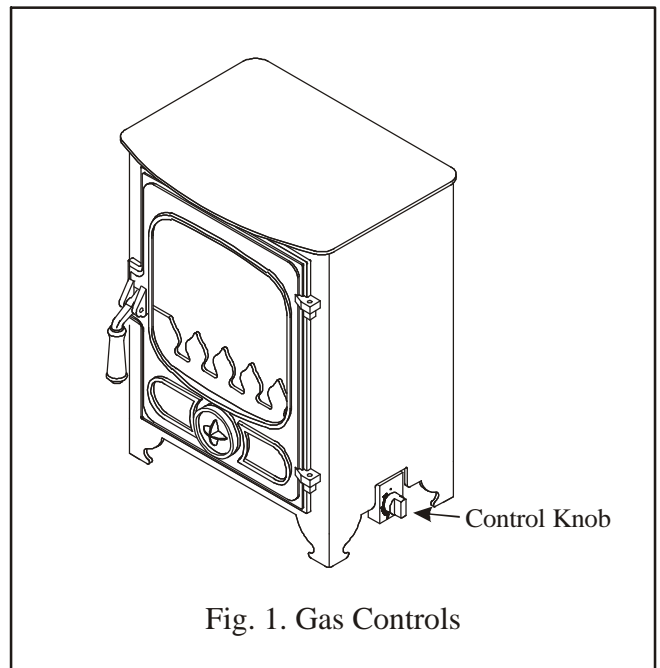


Fig. 1. Gas Controls

c. Switching Off When in Pilot Position.

Press control knob and turn clockwise to off.

IMPORTANT

Interruption of Gas Supply.

Should the stove burner cut out for any reason you should not try to re-light it for at least 5 minutes. If you are then unable to re-light the pilot as described earlier you should contact your stove supplier or engineer.

During normal operation, for example in the winter months when the stove will be in regular use, we advise that the pilot is left running continuously as this will allow for quick and easy lighting, while at the same time helping to prevent condensation. When the stove is not being used for long periods, i.e. in the summer then we advise that the gas supply is turned off at the isolation tap.

PLEASE NOTE: When the stove is first operated it should be run at its maximum setting for several hours to help the painted coating to cure. However, if you are able to run the stove for a minimum of four hours then the full curing process will be completed.

While the paint is curing there may be a little smoke given off the surface of the stove accompanied by a slight smell and traces of vapour. This is perfectly normal and quite harmless. However, for your own comfort keep the room well ventilated until the curing process is completed. The slight smell may linger for the first week or so of operation.

Customer Reminder

IT IS A LEGAL REQUIREMENT THAT THE COMPLETE ASSEMBLY, INSTALLATION AND COMMISSIONING OF GAS FIRED STOVES IS CARRIED OUT BY A PROFESSIONALLY QUALIFIED AND ACCREDITED GAS FITTER. YOU MUST NOT ATTEMPT THIS YOURSELF.

MAINTENANCE & SERVICING PROCEDURES.

Stove Cleaning

The stove surfaces are treated with an extremely durable high temperature resistant paint cleaned by brushing down with a clean shoe brush. If any of the black paint should need retouching you can obtain the correct paint from your stove supplier. Don't wash the stove or let water remain on any surface when it is cold as this may cause rusting.

Glass Cleaning

Under normal use the glass should remain clean. However, if the glass needs cleaning, this can easily be done with a suitable glass cleaner available from your stove supplier.

To The Customer

PLEASE READ THE FOLLOWING PROCEDURES AND SERVICE CHECKS BUT PLEASE NOTE THEY MUST ALL BE CARRIED OUT BY A QUALIFIED INSTALLATION ENGINEER. IF THE DOOR GLASS BECOMES DAMAGED OR BROKEN-DO NOT USE THE STOVE.

Glass Replacement

1. Before carrying out the glass replacement we suggest that, for safety reasons, the gas supply is turned off at the isolation tap.
2. When the stove is cold remove door: See stove assembly instructions.
3. Protect the working surface by laying the door on plenty of newspaper or cardboard.
4. Remove all glass securing clips and all the broken glass.
5. Fit the new glass, ordered from your stove supplier, ensuring that the sealing cord is correctly positioned between the glass and the cast iron door frame. If this sealing cord is damaged in any way a replacement can be obtained from your stove supplier.
6. Re-secure the clips and nuts. Do not over-tighten as this could crack the glass. We suggest hand tight, just enough to ensure a good seal.
7. Re-fit the door making sure it is securely closed, before re-establishing the pilot light as described above.

Fume Spillage Check

This test must be carried out by the installation engineer when the stove is first commissioned and then we suggest every 12 months to ensure that the products of combustion are not spilling into the room. The test is carried out by running the stove for ten minutes and then holding a smoke match close to the diverter box to make sure the smoke is drawn up the into the flue way. Do not use a lighted match or a naked flame. The air flow must be drawn to the chimney with sufficient draught. If the smoke is disturbed then repeat the test a few minutes later. If the smoke is still disturbed by escaping products of combustion turn the stove off and contact your installation engineer

Regular Servicing For Safety And Efficient Operation.

Servicing should be carried out annually by a qualified installation engineer when the stove is cold and the gas supply turned off at the isolation tap. The following points should be checked:

1. Remove all the coals and clean any dust and debris from

the top of the burner unit. Ideally a vacuum cleaner should be used, but if not a soft brush will do.

2. Check the condition of the coals. Any damaged ones will affect the efficient operation of the stove and should be replaced with new ones available from your stove supplier.
3. All gas joints should be checked to make sure they are completely sealed and that the gas supply and pressure is to specification.
4. The pilot jets are correctly set and clear of obstruction.
5. The chimney should also be checked to make sure there are no restrictions or blockages.
6. Finally re-lay the coals and light the stove as described earlier.

Problem Solving

Although we recommend that the customer is familiar with the following it is important that the installation engineer is contacted to rectify any difficulties.

The gas pilot will not stay alight:

1. Ensure there is a gas supply to the property and that the isolation tap is in the "on" position.
2. Hold the control knob in the lighting position for at least 20 seconds once the burner is alight, to ensure adequate heat operation of the safety thermocouple valve.
3. Make sure that the pilot injector is not obstructed or blocked and that it is free from dust or dirt.
4. Finally ensure that the thermocouple, a very delicate electro-mechanical device, has not become damaged in any way. If it is damaged a replacement pilot assembly should be obtained and fitted by your installation engineer.

FINAL REMINDERS

We remind you that it is a legal requirement that the stove is installed by a qualified and accredited installation engineer. Improper installation, adjustment, alteration, service or maintenance can cause injury and/or damage to property.

If you are in the slightest doubt about any aspect of your stove's performance or you require additional information then please contact your stove supplier or qualified installation engineer.

At the risk of stating the obvious, please do not store, keep or use petrol or any other flammable liquids, vapours or substances anywhere near the stove or any other heating appliance.

We hope these instructions have been clear and helpful and you are now able to enjoy the full benefit of your stove. If you have any queries or have found any part not as straightforward as you would like, then please don't hesitate to call us. Any suggestions for improvements are most welcome.

Please keep these instructions handy for future reference.

Most Important: Before installing the stove, check the burner data plate, this must correspond with the type of gas which is to be used, i.e. Natural Gas or LPG.

Charnwood Grosvenor Installation Instructions

Notes to the Installation Engineer: Please make sure the customer is familiar with the initial lighting and operating procedures before leaving the site and that this instruction booklet is left with them when the final commissioning is complete.

Please check that the following components are included before you start on the assembly.

The following stove components are delivered in 2 boxes:

Box 1: 1 Stove Body inc. baffle and flue diverter.

Box 2: 1 Burner Unit and coal set.

Assembly

IMPORTANT: ENSURE THAT THE CONCEALED DOOR LOCK IS REMOVED BEFORE ATTEMPTING TO OPEN THE GLASS DOOR USING THE HANDLE .

- * Remove spinwheel from the bottom centre of door.
- * Remove the lower bolt, using a 13mm spanner or socket, and retain.
- * Open door using handle and remove contents packed inside stove, including front fire bar, noting location for reassembly.
- * Fit draught diverter to rear of stove using nuts and bolts provided.
- * Fit baffle plate by locating on the 4 lugs inside body with the curved edge towards the front of body curving upwards as shown in Fig. 2.
- * Insert burner through door aperture with valve on right hand side.
- * Manoeuvre burner and locate so that rear lugs fit over rear base plate: front lugs sitting on front of base plate and secure with two bolts through top of base plate, the gas valve will then be neatly located through cut out in right hand side of stove body.

Flue Spillage Monitoring System.

Charnwood Grosvenor stoves are fitted with an oxygen depletion sensitive pilot.

Location And Recommended Hearth

And Fire Opening Specification.

The location of Charnwood Grosvenor model stoves should have the following space around them:
The hearth should protrude at least 150mm (6") in front of the stove body and be at least 12mm (1/2") thick.

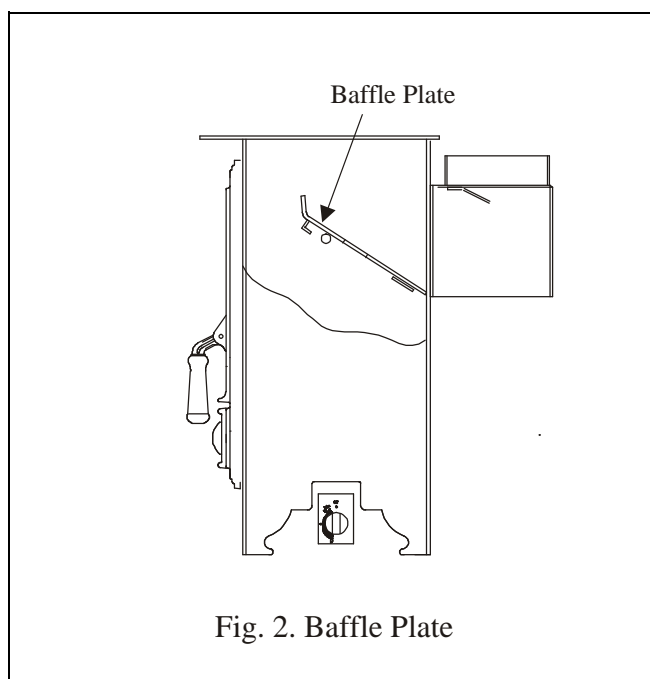
In most buildings with solid concrete floors this requirement will have been met by the floor itself. There should also be a gap of at least 150mm (6") on either side of the stove, more if possible as the greater the space the greater the amount of heat being released into the room. If the stove is to be fitted into an existing opening there should be a minimum of 150mm (6") clearance on both sides, with the back of the flue diverter box 15mm clear of the rear wall.

On all stove installations no combustible material should cover the hearth, or be placed any closer than 225mm (9") from the stove. This includes carpeting and other combustible floor coverings.

Connection To The Chimney.

Use 125mm dia. flue pipe to make the chimney connection. If required, 100mm dia flue pipe may be used.

Before you install the stove make sure the chimney flue outlet is correctly positioned to align with the flue outlet on



the stove and that the chimney is in good condition. If not, a chimney liner must be installed or a suitable class 2 gas flue used. An up-draught is necessary to ensure the products of combustion are fully evacuated.

The stove must be installed in accordance with current gas and building regulations applicable.

Connect and seal the stove flue collar to the chimney with a length of pipe fitting for a depth of at least 20mm (3/4"). A minimum of 610 mm (2ft) of vertical pipe should be established before the flue direction is changed, unless the stove is to be used with a fanned (powered) flue.

The flue must have a minimum height of 3 metres (10ft), however to ensure optimum performance we recommend 3.6 metres (12ft) or higher. The flue must be free of obstruction and any dampers must be fixed in a permanently open position. Ensure the chimney is not closed and that it has been swept prior to the stove being installed.

Make sure that rain, birds or any foreign body cannot get into the chimney to cause damage or a blockage. This problem can normally be overcome by fitting an approved Gas Cowl. It is essential to the effective running of your stove that the chimney draws properly to allow the products of combustion to escape.

Gas Connection.

The gas supply must be properly sized to provide the correct gas rate at running pressure when measured at the inlet valve. The final connection to the stove must be made with a suitable 8mm dia gas pipe.

It is essential that a gas isolation tap is provided upstream of the stove, in a position that is easily accessible.

Gas Pressure.

Make sure that there is adequate gas pressure and volume to the stove. The relevant pressures are on the data plate.

Ensure that the gas pressure to the stove is maintained when it is operating at the same time as other appliances in the building.

The gas pressure can be obtained by unscrewing the pressure test nipple and applying a suitable pressure gauge i.e. a manometer.

Pressures to be as stated on the data plate.

Before any coals are placed in position make sure that the burner is operating correctly. The flame should be fairly even across the burner top.

Ventilation

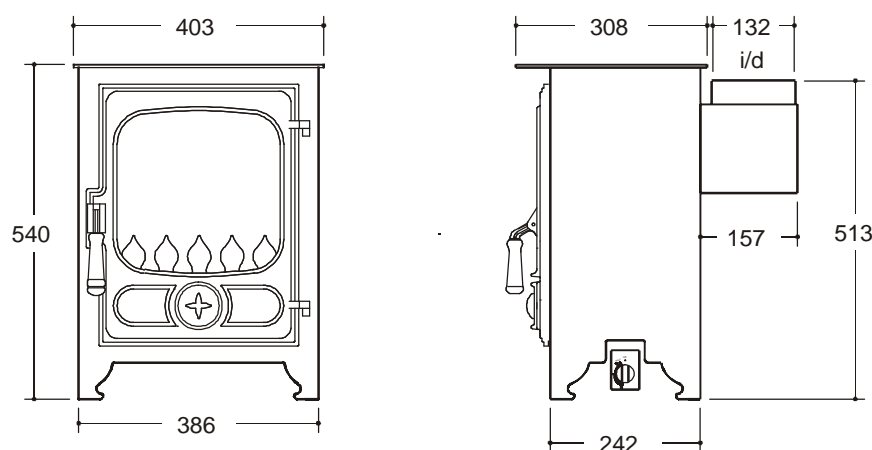
Under normal circumstances no additional room ventilation is needed.

Coals Layout

The approved layout of the coals is shown in Figs. 3, 4, 5 and 6. Adjustments may be made on this basis to give a beautiful looking fire. Spare coals are provided in the pack.

Pre Lighting Checks

1. All building work and flue sealing is complete.
2. The front fire bar is refitted in position.
3. All the coals are correctly placed.



Grosvenor Overall Dimensions
(all dimensions are in mm)

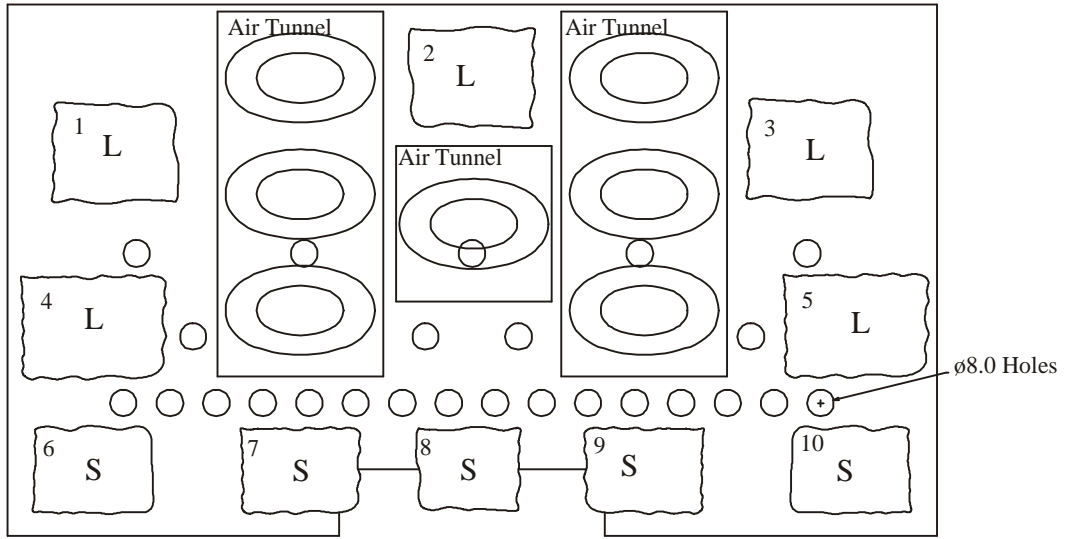


Fig. 3. Coal Layer 1 Natural Gas

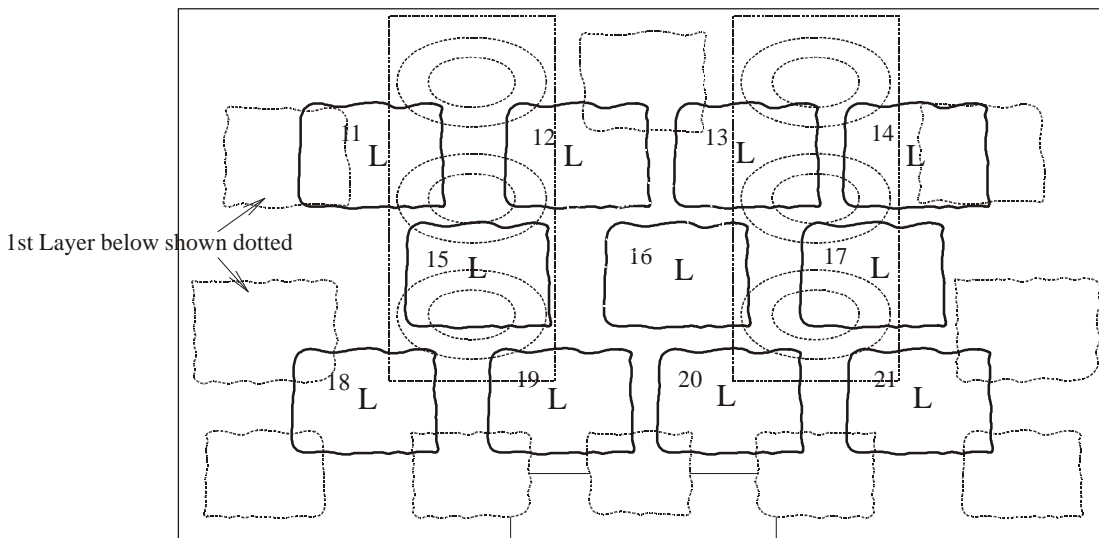


Fig. 4. Coal Layer 2 Natural Gas

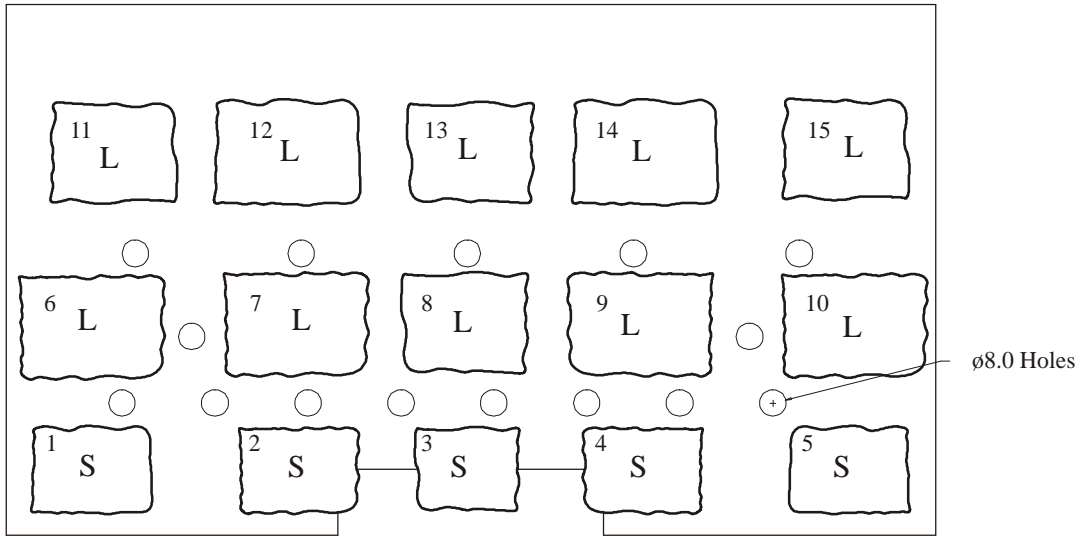


Fig. 5. Coal Layer 1 LPG

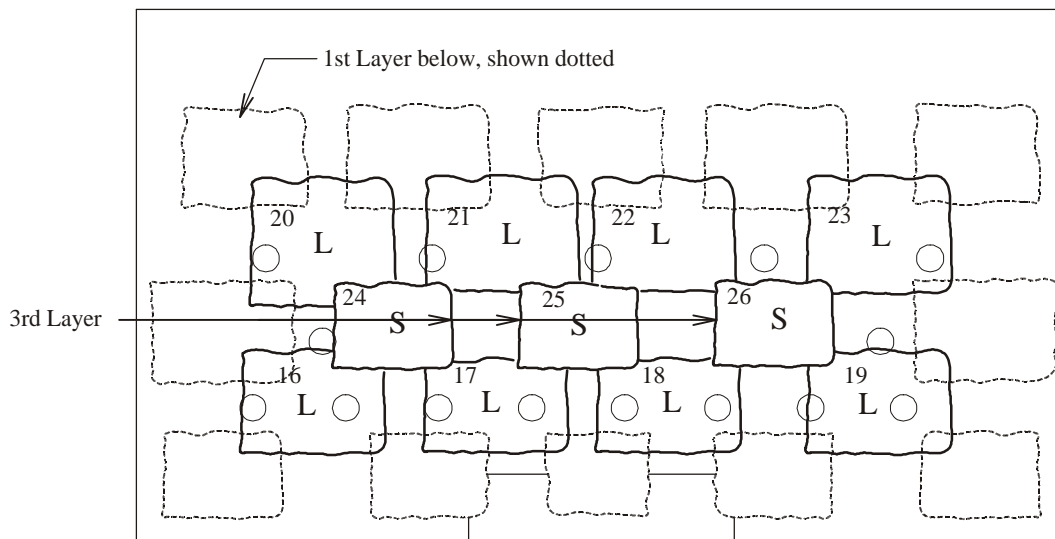


Fig. 6. Coal Layers 2 & 3 LPG

Free Manuals Download Website

<http://myh66.com>

<http://usermanuals.us>

<http://www.somanuals.com>

<http://www.4manuals.cc>

<http://www.manual-lib.com>

<http://www.404manual.com>

<http://www.luxmanual.com>

<http://aubethermostatmanual.com>

Golf course search by state

<http://golfingnear.com>

Email search by domain

<http://emailbydomain.com>

Auto manuals search

<http://auto.somanuals.com>

TV manuals search

<http://tv.somanuals.com>