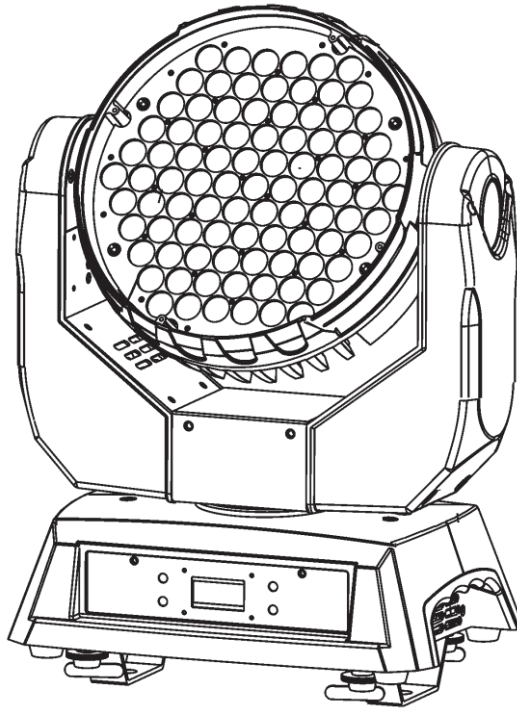


# Q-WASH™ 560Z-LED

## Quick Reference Guide



**CHAUVET®**

*It's Green Thinking*

**About This Guide** The Q-Wash 560Z-LED Quick Reference Guide (QRG) contains the product's connection and mounting information, as well as the menu options and the DMX values.

**Disclaimer**

- Refer to this product's User Manual for detailed information and instructions. You can download the User Manual from the CHAUVET® website: [www.chauvetpro.com](http://www.chauvetpro.com).
- Read ALL the disclaimers and Safety Notes in this document, as well as those in the product's User Manual before installing, operating, or maintaining this product.

**Safety Notes**

- DO NOT open this product unless instructed. It contains no user serviceable parts.
- DO NOT look at the light source when this product is on.
- DO NOT touch the product when it is operating because it may be hot.
- DO NOT cover the ventilation slots when the product is operating to avoid internal overheating.
- DO NOT install or operate this product where there is less than 50 cm to the nearest surface to allow adequate ventilation around it.
- DO NOT leave any flammable material within 50 cm from this product while operating or connected to the power outlet to minimize the risk of fire.
- DO NOT carry this product from the head. Use the handles instead.
- DO NOT mount this product overhead without using a safety cable.
- DO NOT operate this product outdoors or in any location where dust, excessive heat, water, or humidity may affect it.
- DO NOT operate this product if you see damage on the housing, lenses, or cables. In any of these cases, have the damaged parts replaced by an authorized technician at once.
- DO NOT connect this product to a dimmer or rheostat.
- ONLY connect this product to a grounded and protected circuit.

**What Is Included**

- One Q-Wash 560Z-LED
- One IEC Power Cord with Edison Plug (US market)
- One Safety Cable
- Two Omega Brackets
- Warranty Card
- Quick Reference Guide

**Features**

- 12 or 15-channel RGBWA LED moving yoke wash product
- Pan: 540°
- Tilt: 270°
- RGBWA color static mixing with or without DMX control
- Vector speed channel for RGBWA color mixing
- Variable zoom
- Variable electronic strobe
- Continuously variable electronic dimmer (0~100%)
- Built-in automated programs
- Remote product reset and vector speed channel
- 255-step fully customizable program
- Recall auto or custom programs via control panel or DMX
- Color temperature presets (3,200~10,000 K)

**AC Power**

This product has an auto-ranging power supply that works with an input voltage range of 100~240 VAC, 50/60 Hz.

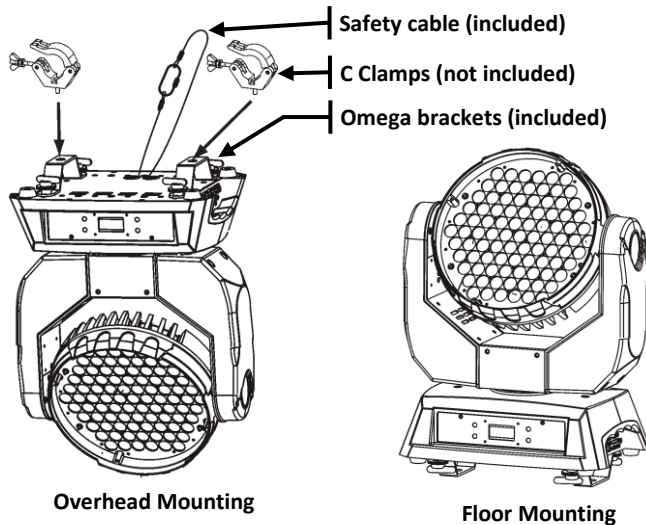
**Fuse Replacement**

1. Disconnect the unit from the power outlet.
2. With a flat head screwdriver, wedge the fuse holder out of the housing and remove the blown fuse from the holder.
3. Replace the blown fuse with a fuse of the exact same type and rating.
4. Insert the fuse holder back in place and reconnect the power.

**Mounting**

Before mounting this product, read the Safety Notes at the beginning of this guide and on page 2 of the product's User Manual. Then, follow the mounting procedure indicated in the *Setup* chapter of the User Manual.

**Product Mounting Diagram**



## Menu Options

1 <sup>st</sup> Level	2 <sup>nd</sup> Level	3 <sup>rd</sup> Level	Description	
INTRO	ADDRESS	001~512	Selects a starting DMX address	
	RESET	NO/YES	Resets the product's custom settings	
	FAN	HIGH		Select the fan's operation mode.
		NORMAL		<b>NOTE:</b> Product's controller will force the fan to <b>High</b> if the product's internal temperature becomes too high, despite any manual or DMX setting
		LOW		
		AUTO		
	RUN	DMX512		Selects DMX running mode
		AUTO 1		Selects the first automatic program
		AUTO 2		Selects the second automatic program
		CUSTOM		Selects the user customizable program
		SLAVE		Selects the Slave running mode
		TEST		Starts the product's test sequence
	CHANNELS	BASIC		Selects the 11-channel DMX mode
		ADVANCED		Selects the 15-channel DMX mode
	DISPLAY	60 CLOSE		Turns off the display after 60 seconds
		BRIGHT		Keeps the display on
KEYLOCK	NO/YES		Activates/deactivates the control panel password	
DIMMER	DIMMER 4~1		Slow ( <b>DIM 4</b> ) to fast ( <b>DIM1</b> ) dimmer curves	
	DIMMER 0		Linear dimmer	
INFO	EDITION		Shows the version of the installed S/W	
INVERT	Pan	NORMAL/ REVERSE	Defines the pan direction	
	Tilt		Defines the tilt direction	
	Dimmer Use	NO/YES	Defines the direction of the dimmer fader Activates the changes	
RANGE	P/Start	000~255	Sets the pan start point (restricted range)	
	P/Finish		Sets the pan end point (restricted range)	
	T/Start		Sets the tilt start point (restricted range)	
	T/Finish		Sets the tilt end point (restricted range)	
	Use		Activates the changes	
SPECIAL	Black delay	NO/YES	Activates the move-in black delay (3 s)	
	Reset	DMX	The DMX controller can reset the product	
		SYSTEM	The control panel can reset the product	
	Power	NORMAL/ HIGH	LEDs illuminate at normal or high intensity <b>NOTE:</b> Product will return to <b>Normal</b> if temperature becomes too high	
	Color	UC		White output matches that of older products
		RGBTOW		White output set by <b>RGB-W</b>
		OFF		White output defined by RGBW faders
	Fan	DMX		The DMX controller can set the fan speed
SYSTEM			The control panel can reset the fan speed	
EDIT	STEP	000~255	Selects the program step	
	PAN		Selects the pan position	
	TILT		Selects the tilt position	
	SPEED		Selects the pan/tilt speed	
	RED		Combines red, green, blue, white, and amber to obtain a custom color	
	GREEN			
	BLUE			
	WHITE			
	AMBER			

Continues in the next page

Continued from previous page

1st Level	2nd Level	3rd Level	Description
EDIT (Cont.)	DIMMER	000~255	Selects the dimmer value
	STROBE		Selects the strobe frequency and mode
	ZOOM		Select the zoom position
	DIMSPEED		Selects the dimmer speed
	TIME		Selects the step duration
	USE		No/Yes
EXTRA	PASSWORD	****	Opens the <b>Extra</b> menu (see below)

Extra Menu

1 <sup>st</sup> Level	2nd Level	3rd Level	4 <sup>th</sup> Level	Description
Calib	3200 K	Red	000~255	Sets color temperature for <b>Macro &gt; White 1</b>
		Green		
		Blue		
	3400 K	Red	000~255	Sets color temperature for <b>Macro &gt; White 2</b>
		Green		
		Blue		
	4200 K	Red	000~255	Sets color temperature for <b>Macro &gt; White 3</b>
		Green		
		Blue		
	4900 K	Red	000~255	Sets color temperature for <b>Macro &gt; White 4</b>
		Green		
		Blue		
	5600 K	Red	000~255	Sets color temperature for <b>Macro &gt; White 5</b>
		Green		
		Blue		
	5900 K	Red	000~255	Sets color temperature for <b>Macro &gt; White 6</b>
		Green		
		Blue		
	6500 K	Red	000~255	Sets color temperature for <b>Macro &gt; White 7</b>
		Green		
		Blue		
	7200 K	Red	000~255	Sets color temperature for <b>Macro &gt; White 8</b>
		Green		
		Blue		
	8000 K	Red	000~255	Sets color temperature for <b>Macro &gt; White 9</b>
		Green		
		Blue		
	8500 K	Red	000~255	Sets color temperature for <b>Macro &gt; White 10</b>
		Green		
		Blue		
10000 K	Red	000~255	Sets color temperature for <b>Macro &gt; White 11</b>	
	Green			
	Blue			
RGB-W	Red	000~255	Sets color temperature for <b>Special &gt; Color &gt; RGBtoW</b>	
	Green			
	Blue			
Default	Default	No/Yes	N/A	Defaults the product to factory settings

**DMX Values**

<b>BASIC</b>	<b>Channel</b>	<b>Function</b>	<b>Value</b>	<b>Percent/Setting</b>
	1	Pan	000 ⇄ 255	0~540°
	2	Tilt	000 ⇄ 255	0~270°
	3	Red	000 ⇄ 255	0~100%
	4	Green	000 ⇄ 255	0~100%
	5	Blue	000 ⇄ 255	0~100%
	6	White	000 ⇄ 255	0~100%
	7	Amber	000 ⇄ 255	0~100%
	8	Power and Color Macro	000 ⇄ 005	No function
			006 ⇄ 010	High power
			011 ⇄ 030	R: 100% G: Up B: 0%
			031 ⇄ 050	R: Down G: 100% B: 0%
			051 ⇄ 070	R: 0% G: 100% B: Up
			071 ⇄ 090	R: 0% G: Down B: 100%
			091 ⇄ 110	R: Up G: 0% B: 100%
			111 ⇄ 130	R: 100% G: 0% B: Down
			131 ⇄ 150	R: 100% G: Up B: Up
			151 ⇄ 170	R: Down G: Down B: 100%
			171 ⇄ 200	R: 100% G: 100% B: 100% W: 100%
			201 ⇄ 205	White 1: 3200 K
			206 ⇄ 210	White 2: 3400 K
			211 ⇄ 215	White 3: 4200 K
			216 ⇄ 220	White 4: 4900 K
			221 ⇄ 225	White 5: 5600 K
			226 ⇄ 230	White 6: 5900 K
	231 ⇄ 235	White 7: 6500 K		
	236 ⇄ 240	White 8: 7200 K		
	241 ⇄ 245	White 9: 8000 K		
	246 ⇄ 250	White 10: 8500 K		
	251 ⇄ 255	White 11: 10,000 K		
	9	Dimmer	000 ⇄ 255	0~100%
	10	Strobe	000 ⇄ 009	No function
			010 ⇄ 255	01~20 Hz
	11	Zoom	000 ⇄ 255	6~37°
	12	Control	000 ⇄ 019	No function
			020 ⇄ 039	Pan/tilt black activation
			040 ⇄ 059	Pan/tilt black deactivation
			060 ⇄ 079	Automatic fan speed
			080 ⇄ 099	Slow fan speed
			100 ⇄ 119	Normal fan speed
			120 ⇄ 139	High fan speed
			140 ⇄ 149	Auto program 1 (3 s activation delay)
			150 ⇄ 159	Auto program 2 (3 s activation delay)
			160 ⇄ 169	Test (3 s activation delay)
			170 ⇄ 179	Custom program (3 s activation delay)
			180 ⇄ 199	No function
			200 ⇄ 219	Reset (3 s activation delay)
			220 ⇄ 235	No function
			236 ⇄ 239	DIM0 (3 s activation delay)
			240 ⇄ 243	DIM1 (3 s activation delay)
			244 ⇄ 247	DIM2 (3 s activation delay)
	248 ⇄ 251	DIM3 (3 s activation delay)		
	252 ⇄ 255	DIM4 (3 s activation delay)		

**ADVANCED**

Channel	Function	Value	Percent/Setting
1	Pan	000 ⇄ 255	0-540°
2	Pan Fine	000 ⇄ 255	Fine movement control
3	Tilt	000 ⇄ 255	0-270°
4	Tilt Fine	000 ⇄ 255	Fine movement control
5	Pan/Tilt Speed	000 ⇄ 255	Fast-Slow
6	Red	000 ⇄ 255	0-100%
7	Green	000 ⇄ 255	0-100%
8	Blue	000 ⇄ 255	0-100%
9	White	000 ⇄ 255	0-100%
10	Amber	000 ⇄ 255	0-100%
11	Power and Color Macro	000 ⇄ 005	No function
		006 ⇄ 010	High power
		011 ⇄ 030	R: 100% G: Up B: 0%
		031 ⇄ 050	R: Down G: 100% B: 0%
		051 ⇄ 070	R: 0% G: 100% B: Up
		071 ⇄ 090	R: 0% G: Down B: 100%
		091 ⇄ 110	R: Up G: 0% B: 100%
		111 ⇄ 130	R: 100% G: 0% B: Down
		131 ⇄ 150	R: 100% G: Up B: Up
		151 ⇄ 170	R: Down G: Down B: 100%
		171 ⇄ 200	R: 100% G: 100% B: 100%
		201 ⇄ 205	White 1: 3200 K
		206 ⇄ 210	White 2: 3400 K
		211 ⇄ 215	White 3: 4200 K
		216 ⇄ 220	White 4: 4900 K
		221 ⇄ 225	White 5: 5600 K
		226 ⇄ 230	White 6: 5900 K
231 ⇄ 235	White 7: 6500 K		
236 ⇄ 240	White 8: 7200 K		
241 ⇄ 245	White 9: 8000 K		
246 ⇄ 250	White 10: 8500 K		
251 ⇄ 255	White 11: 10,000 K		
12	Dimmer	000 ⇄ 255	0-100%
13	Strobe	000 ⇄ 009	No function
		010 ⇄ 255	01-20 Hz
14	Zoom	000 ⇄ 255	6-37°
15	Control	000 ⇄ 019	No function
		020 ⇄ 039	Pan/tilt black activation
		040 ⇄ 059	Pan/tilt black deactivation
		060 ⇄ 079	Automatic fan speed
		080 ⇄ 099	Slow fan speed
		100 ⇄ 119	Normal fan speed
		120 ⇄ 139	High fan speed
		140 ⇄ 149	Auto program 1 (3 s activation delay)
		150 ⇄ 159	Auto program 2 (3 s activation delay)
		160 ⇄ 169	Test (3 s activation delay)
		170 ⇄ 179	Custom program (3 s activation delay)
		180 ⇄ 199	No function
		200 ⇄ 219	Reset (3 s activation delay)
		220 ⇄ 235	No function
		236 ⇄ 239	DIM0 (3 s activation delay)
		240 ⇄ 243	DIM1 (3 s activation delay)
		244 ⇄ 247	DIM2 (3 s activation delay)
248 ⇄ 251	DIM3 (3 s activation delay)		
252 ⇄ 255	DIM4 (3 s activation delay)		

<b>Control Panel Description</b>	<b>Button</b>	<b>Function</b>
	<MENU>	Exits from the current menu or function
	<ENTER>	Enables the currently displayed menu or sets the currently selected value into the selected function
	<UP>	Navigates upwards through the menu list and increases the numeric value when in a function
<DOWN>	Navigates downwards through the menu list and decreases the numeric value when in a function	

**Programming** For details on how to program this product, please refer to the product’s User Manual.

**Password** After being prompted to enter the password, press:  
<UP>, <DOWN>, <UP>, <DOWN>, and <ENTER>

**Contact Us**

**World Headquarters**  
CHAUVET®  
**General Information**

Address: 5200 NW 108th Avenue  
Sunrise, FL 33351  
Voice: (954) 929-1115  
Fax: (954) 929-5560  
Toll free: (800) 762-1084

**Technical Support**

Voice: (954) 929-1115 (Press 4)  
Fax: (954) 756-8015  
Email: tech@chauvetlighting.com

**World Wide Web**

[www.chauvetpro.com](http://www.chauvetpro.com)

**United Kingdom and Ireland**  
CHAUVET® Europe Ltd.  
**General Information**

Address: Unit 1C  
Brookhill Road Industrial Estate  
Pinxton, Nottingham, UK  
NG16 6NT  
Voice: +44 (0)1773 511115  
Fax: +44 (0)1773 511110

**Technical Support**

Email: [uktech@chauvetlighting.com](mailto:uktech@chauvetlighting.com)

**World Wide Web**

[www.chauvetlighting.co.uk](http://www.chauvetlighting.co.uk)

Outside the US, United Kingdom, or Ireland, contact your distributor of record. Follow their instructions to request support or to return a product. Visit our Web site for contact details.

Q-Wash 560Z-LED QRG – Rev. 06

© Copyright 2011 CHAUVET®

All rights reserved.

Printed in the P. R. C.



CONFORMS TO  
UL STD. 1573

CERTIFIED TO  
CSA STD. C22.2  
No. 166

3144482



## Free Manuals Download Website

<http://myh66.com>

<http://usermanuals.us>

<http://www.somanuals.com>

<http://www.4manuals.cc>

<http://www.manual-lib.com>

<http://www.404manual.com>

<http://www.luxmanual.com>

<http://aubethermostatmanual.com>

Golf course search by state

<http://golfingnear.com>

Email search by domain

<http://emailbydomain.com>

Auto manuals search

<http://auto.somanuals.com>

TV manuals search

<http://tv.somanuals.com>