

# DVM-HR DV Wall™

## USER MANUAL



CHAUVET, 3000 N 29<sup>th</sup> Ct, Hollywood, FL 33020 U.S.A  
(800) 762-1084 – (954) 929-1115  
FAX (954) 929-5560  
[www.chauvetlighting.com](http://www.chauvetlighting.com)

2007-02-05/16:45

---

# Table of Contents

---

|   |           |
|---|-----------|
| <b>1. BEFORE YOU BEGIN.....</b>           | <b>3</b>  |
| UNPACKING INSTRUCTIONS.....               | 3         |
| CONTACT US.....                           | 3         |
| IMPORTANT SAFETY INFORMATION.....         | 4         |
| <b>2. INTRODUCTION .....</b>              | <b>5</b>  |
| OVERVIEW .....                            | 5         |
| FEATURES.....                             | 5         |
| COMPUTER SYSTEM REQUIREMENTS.....         | 5         |
| PRODUCT OVERVIEW.....                     | 6         |
| <b>3. HARDWARE SETUP.....</b>             | <b>7</b>  |
| AC POWER .....                            | 7         |
| SYSTEM LIMITATIONS.....                   | 7         |
| MAXIMUM SYSTEM CONFIGURATION .....        | 8         |
| Other Configuration Examples.....         | 8         |
| MOUNTING SYSTEM.....                      | 9         |
| Flying bracket attachment.....            | 10        |
| SIGNAL & POWER CONFIGURATION.....         | 11        |
| DV-WALL DRIVER .....                      | 12        |
| Dipswitch Settings.....                   | 13        |
| JP1 Dipswitch.....                        | 13        |
| JP2 Dipswitch.....                        | 14        |
| TRANSMITTER CARD.....                     | 15        |
| Data Out 1 & Data Out 2 connectors.....   | 15        |
| Aux Port.....                             | 15        |
| DC External Power Input.....              | 15        |
| Transmitter Card Installation.....        | 15        |
| EXAMPLE SYSTEM CONFIGURATIONS.....        | 16        |
| 4:3 Aspect Ratio.....                     | 16        |
| 4 meters by 3 meter .....                 | 16        |
| 8 meters by 6 meters.....                 | 16        |
| 16 meters by 12 meters.....               | 17        |
| 16:9 Aspect Ratio.....                    | 18        |
| 8 meters by 4.5 meters.....               | 18        |
| 16 meters by 9 meters.....                | 18        |
| Special Applications.....                 | 19        |
| Pattern 1.....                            | 19        |
| Pattern 2.....                            | 19        |
| <b>4. APPENDIX.....</b>                   | <b>20</b> |
| RETURNS PROCEDURE.....                    | 20        |
| CLAIMS .....                              | 20        |
| MAINTENANCE.....                          | 20        |
| TECHNICAL SPECIFICATIONS (PER PANEL)..... | 21        |
| TECHNICAL SUPPORT .....                   | 21        |

©CHAUVET, 2006, All Rights Reserved

Information and specifications in this User Manual are subject to change without notice. CHAUVET assumes no responsibility or liability for any errors or inaccuracies that may appear in this manual.

# 1. Before You Begin

---

## Unpacking Instructions

Immediately upon receiving a product, carefully unpack the carton, check the contents to ensure that all parts are present, and have been received in good condition. Notify the shipper immediately and retain packing material for inspection if any parts appear damaged from shipping or the carton itself shows signs of mishandling. **Save the carton and all packing materials.** In the event that a fixture must be returned to the factory, it is important that the fixture be returned in the original factory box and packing.

**Note:** If you should require sending any items back to CHAUVET, call CHAUVET for a (RMA) Return Merchandise Authorization number. The factory will not allow any shipments without an RMA.

### Your shipment may include the following:

#### DV WALL SYSTEM

|                                   |       |
|-----------------------------------|-------|
| DV Wall LED Panel .....           | 4 pcs |
| Power Cables .....                | 4 pcs |
| Signal Cables .....               | 4 pcs |
| Mounting System.....              | 4 pcs |
| User Manual & Warranty Card ..... |       |

#### DV WALL STUDIO (SOFTWARE)

|                                       |       |
|---------------------------------------|-------|
| Transmitter Card.....                 | 1 pc  |
| DVI Signal Cable .....                | 1 pc  |
| RS232 Signal Cable .....              | 1 pc  |
| DV Wall Studio CD ROM.....            | 1 pc  |
| Ethernet Cable.....                   | 1 pc  |
| Signal Cable .....                    | 8 pcs |
| DV Wall Driver (Video Receiver) ..... | 1 pc  |
| DV Wall Driver Power Supply.....      | 1 pc  |

## Contact Us

### World Wide

**General Information**      Chauvet Lighting  
3000 North 29<sup>th</sup> Court  
Hollywood, FL 33020  
voice: 954.929.1115  
fax: 954.929.5560  
toll free: 800.762.1084

**Technical Support**      Chauvet Lighting  
3000 North 29<sup>th</sup> Court  
Hollywood, FL 33020  
voice: 954.929.1115 (**Press 4**)  
fax: 954.929.5560 (**Attention: Service**)

**World Wide Web**      [www.chauvetlighting.com](http://www.chauvetlighting.com)

# Important Safety Information



This product is designed for professional use. This product presents risks of lethal or severe injury due to fire and heat, electric shock, and injury from falls. **Read this manual** before installing or powering the fixture, follow the safety precautions listed below and observe all warnings in this manual and on the fixture. If you have any questions about how to operate the fixture safely, please contact CHAUVET.

## Protection against Electric Shock

- Always disconnect from AC power source before servicing or replacing LED clusters or fuse, and be sure to replace with same type fuse.
- All fixtures must be connected to circuits with a suitable Earth Ground.
- Do not operate the fixture if covers are open or if any internal component is missing or damaged.
- Make sure power cord is never crimped or damaged.
- Never disconnect power cord by pulling or tugging on the cord.

## Protection against Fire & Burns

- Always make sure that you are connecting to the proper voltage and that the line voltage you are connecting to is not higher than that stated on decal or rear panel of the fixture.
- The unit must be installed in a location with adequate ventilation, at least 50cm from adjacent surfaces. Be sure that no ventilation slots are blocked.
- Maintain a minimum distance of 1 meter (3.28 feet) from combustible materials.
- Allow this product to cool for a minimum of 15 minutes before opening, handling or removing the cover in this product.
- Maximum ambient temperature is  $T_a: 40^\circ$ . Do not operate fixture at temperatures higher than this.

## Protection against Injury to persons

- Secure fixture to fastening device using a safety chain.
- Do not open fixture for a minimum of 15 minutes after switching off.
- In the event of serious operating problem, stop using the unit immediately. Never try to repair the unit by yourself. Repairs carried out by unskilled people can lead to damage or malfunction. Please contact the nearest authorized technical assistance center. Always use the same type spare parts.

# 2. Introduction

---

## Overview

The DV Wall is both an indoor and outdoor LED video wall display suitable for a wide range of applications. An IP65 rating ensures reliable and safe operation in most weather conditions. The DV Wall can be seen comfortably during daytime or night time hours.

The DV Wall's modular rugged design provides the user many shape and size building options. The mounting system is easy and quick to assemble and disassemble. It is perfect for outdoor displays and large viewing distances. The DV Wall is available in 31mm resolution providing the greatest economy and value while maintaining optimum brightness.

Range of applications include but not limited to; Architectural, Merchandising & Retail, Rental & Staging, Entertainment Venues, Sports Stadiums and Outdoor Advertising.

## Features

- Durable and weather resistant IP-65 rated housing
- Mounting system has rigging points and flexible configurations
- 16.7 million colors (24bit)
- Video/flash/text/RGB color mixing and any PC based graphics
- Play music videos and DVDs from your computer
- Additional power-con output for daisy chaining units together
- Additional video output for daisy chaining units together
- Works with other manufacturers' software (must have DVI to DVW card installed)
- Direct air convection cooled
- Low power consumption

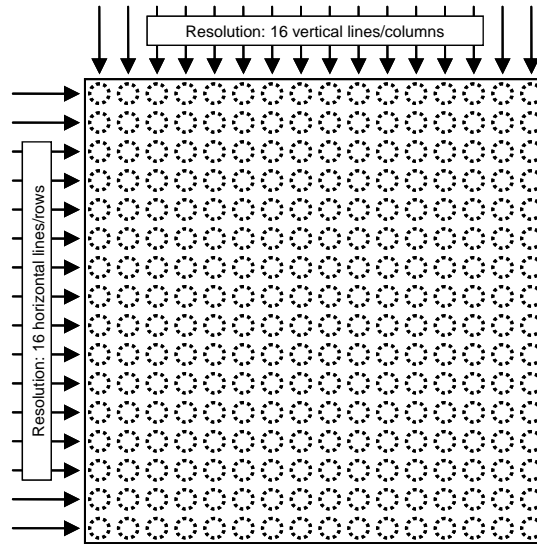
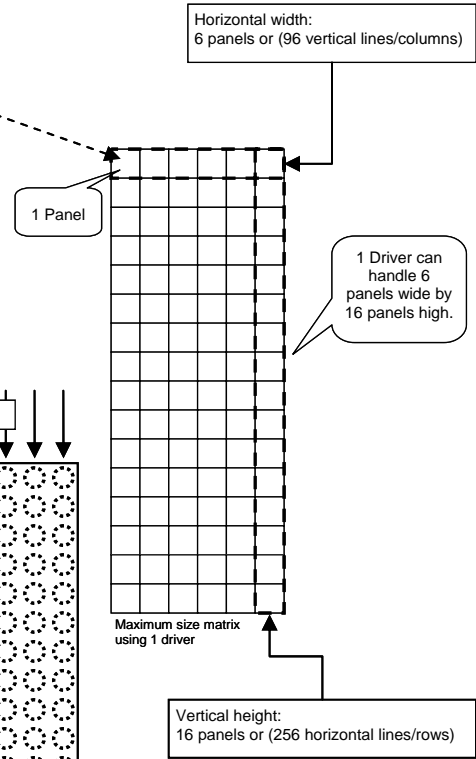
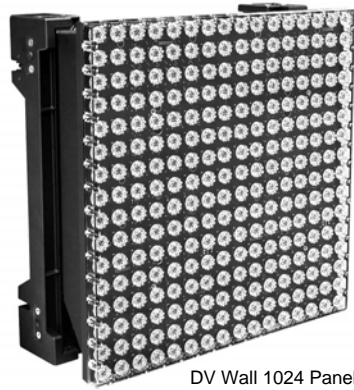
## Requirements

- DV Wall Driver (1 per every 6 panels wide and 16 panels high)
- DV-Wall Studio software and/or ShowXpress Timeline (with DVI to DVW card installed)
- Windows XP computer with an available PCI slot
- ATI graphics card

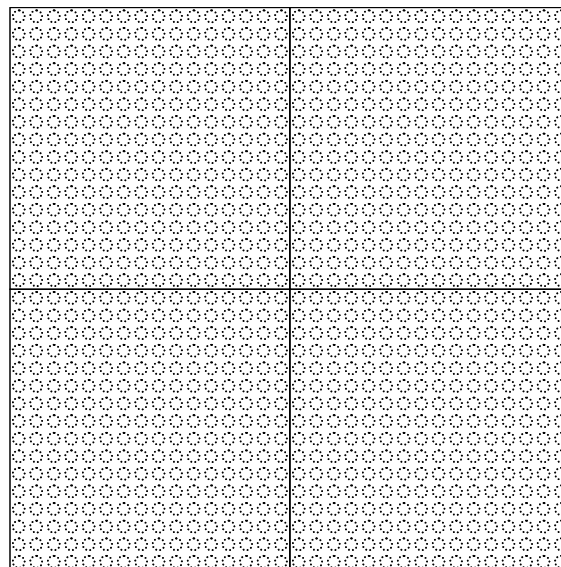
## Computer System Requirements

| EQUIPMENT        | MINIMUM  | RECOMMENDED   |
|------------------|--|---|
| OPERATING SYSTEM | Windows XP SP2   | Windows XP SP2  |
| COMPUTER         | Pentium 200 Mhz processor with at least one free PCI slot  | Pentium 1 Ghz or better with at least one free PCI slot |
| MEMORY           | 128 MB   | 512MB or higher   |
| HARD DISK        | 20 GB 5400 RPM   | 40 GB 7200 RPM or better                                |
| DISPLAY CARD     | ATI Graphics Card with dual display and DVI-I output<br><b>Note:</b> NVIDIA graphics cards are not compatible with this software | Tested on an ATI Radeon 9300                            |

# Product Overview



4 square panels = 1 square meter



# 3. Hardware Setup

---

## AC Power

**Warning!**

**Verify that the power requirement label on your unit matches the line voltage applied. All fixtures must be connected to circuits with a suitable Earth Ground.**

- To determine the power requirements for a particular fixture, see the label affixed to the back plate of the fixture or refer to the fixture's specifications chart.
- A fixture's listed current rating is its average current draw under normal conditions.
- All fixtures must be powered directly off a switched circuit and cannot be run off a rheostat (variable resistor) or dimmer circuit, even if the rheostat or dimmer channel is used solely for a 0% to 100% switch.
- Before applying power to a fixture, check that the source voltage matches the fixture's requirement.
- All fixtures must be connected to circuits with a suitable Earth Ground.

### Power Cable Configuration

| CABLE        | Pin     | International | Screw Color     |
|--------------|---------|---------------|-----------------|
| BROWN        | Live    | L             | Yellow or Brass |
| BLUE         | Neutral | N             | Silver          |
| YELLOW/GREEN | Earth   | EG (Ground)   | Green           |

## System Limitations

### VERTICAL PANELS (DOWN)

|                         |   |
|-------------------------|---|
| MINIMUM                 | 1 panel = 16 rows of LED clusters or 16 vertical pixels/lines     |
| MAXIMUM WITH 1 DRIVER   | 16 panels = 256 rows of LED clusters or 256 vertical pixels/lines |
| MAXIMUM WITH 2+ DRIVERS | 32 panels = 512 rows of LED clusters or 512 vertical pixels       |

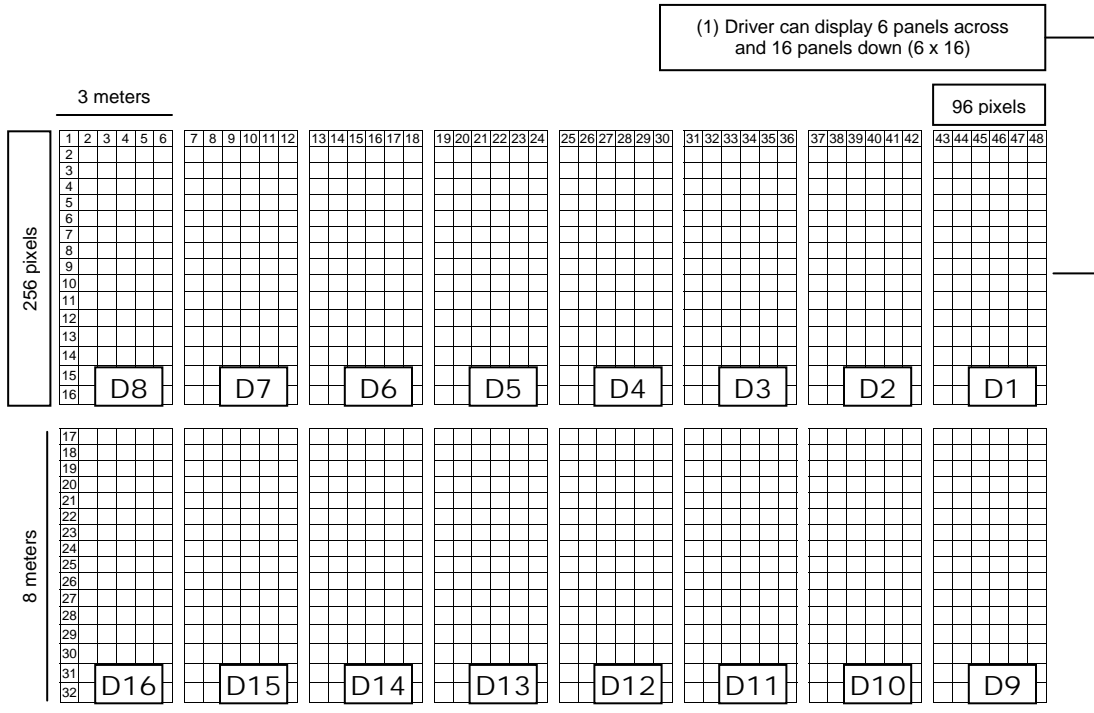
### HORIZONTAL PANELS (ACROSS)

|                         |   |
|-------------------------|---|
| MINIMUM                 | 1 panel = 16 columns of LED clusters or 16 horizontal pixels/lines  |
| MAXIMUM WITH 1 DRIVER   | 6 panels = 96 columns of LED clusters or 96 horizontal pixels/lines |
| MAXIMUM WITH 2+ DRIVERS | 48 panels = 768 columns of LED clusters or 768 horizontal pixels    |

### RESOLUTION

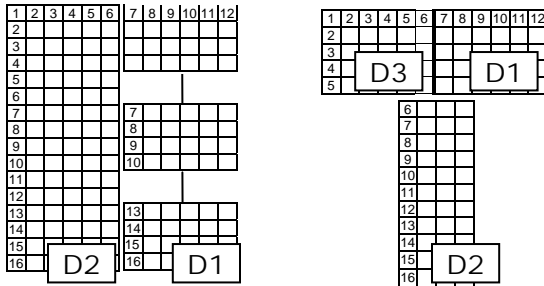
|                         |                         |
|-------------------------|-------------------------|
| MINIMUM                 | 16 pixels X 16 pixels   |
| MAXIMUM WITH 1 DRIVER   | 96 pixels X 128 pixels  |
| MAXIMUM WITH 2+ DRIVERS | 768 pixels X 512 pixels |

# Maximum System Configuration



Gaps between matrix sections are for visual aid only. Panel sections pair up edge to edge to maintain consistent pixel separation across multiple matrix sections.

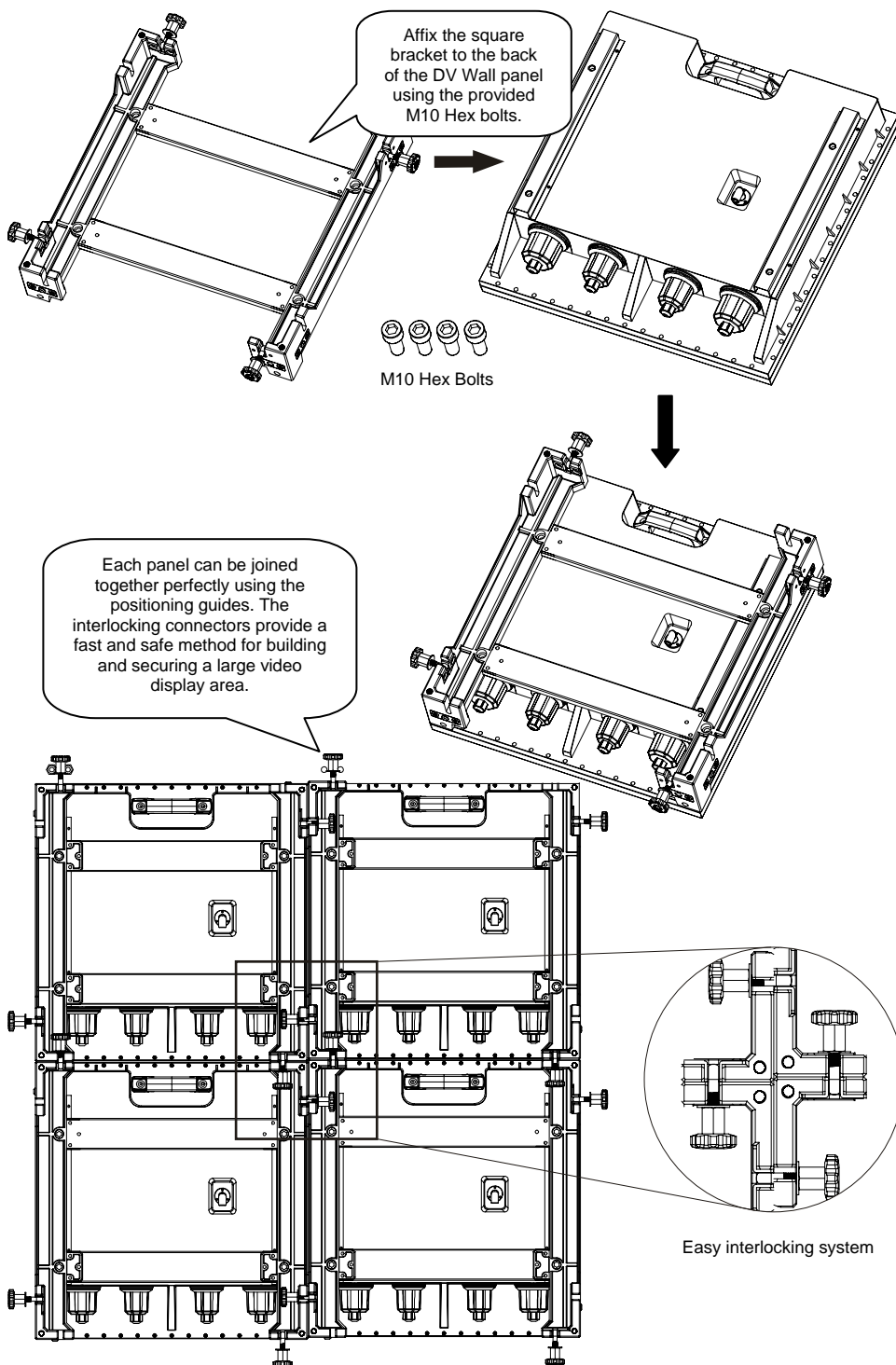
## Other Configuration Examples





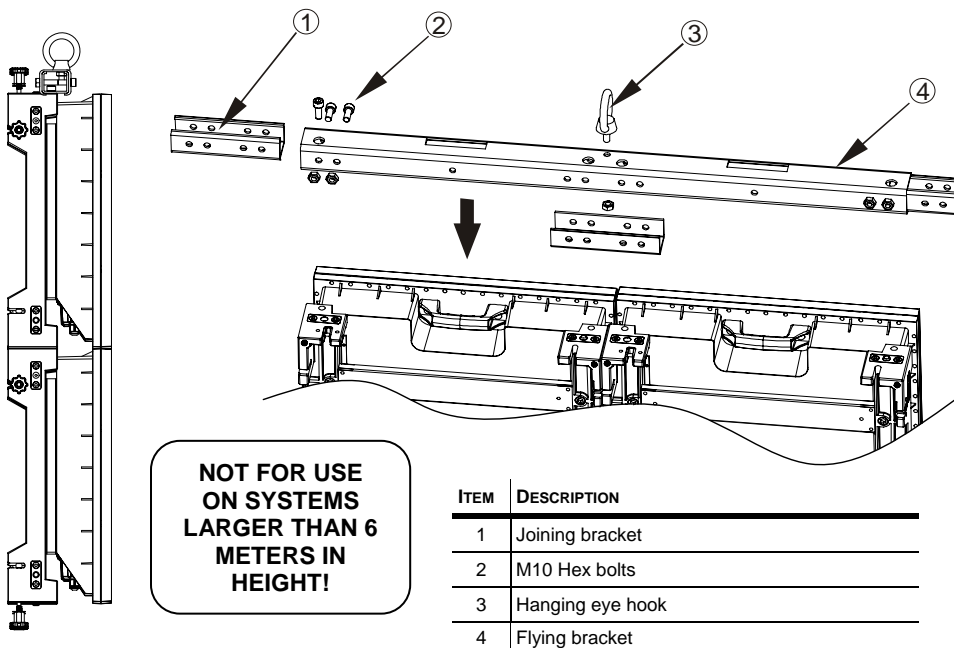
## Mounting System

Each DV Wall panel comes with a square bracket with interlocking connectors that must first be bolted to the two tracks located on opposite sides of the back of the panel using the provided M10 Hex bolts.



## Flying bracket attachment

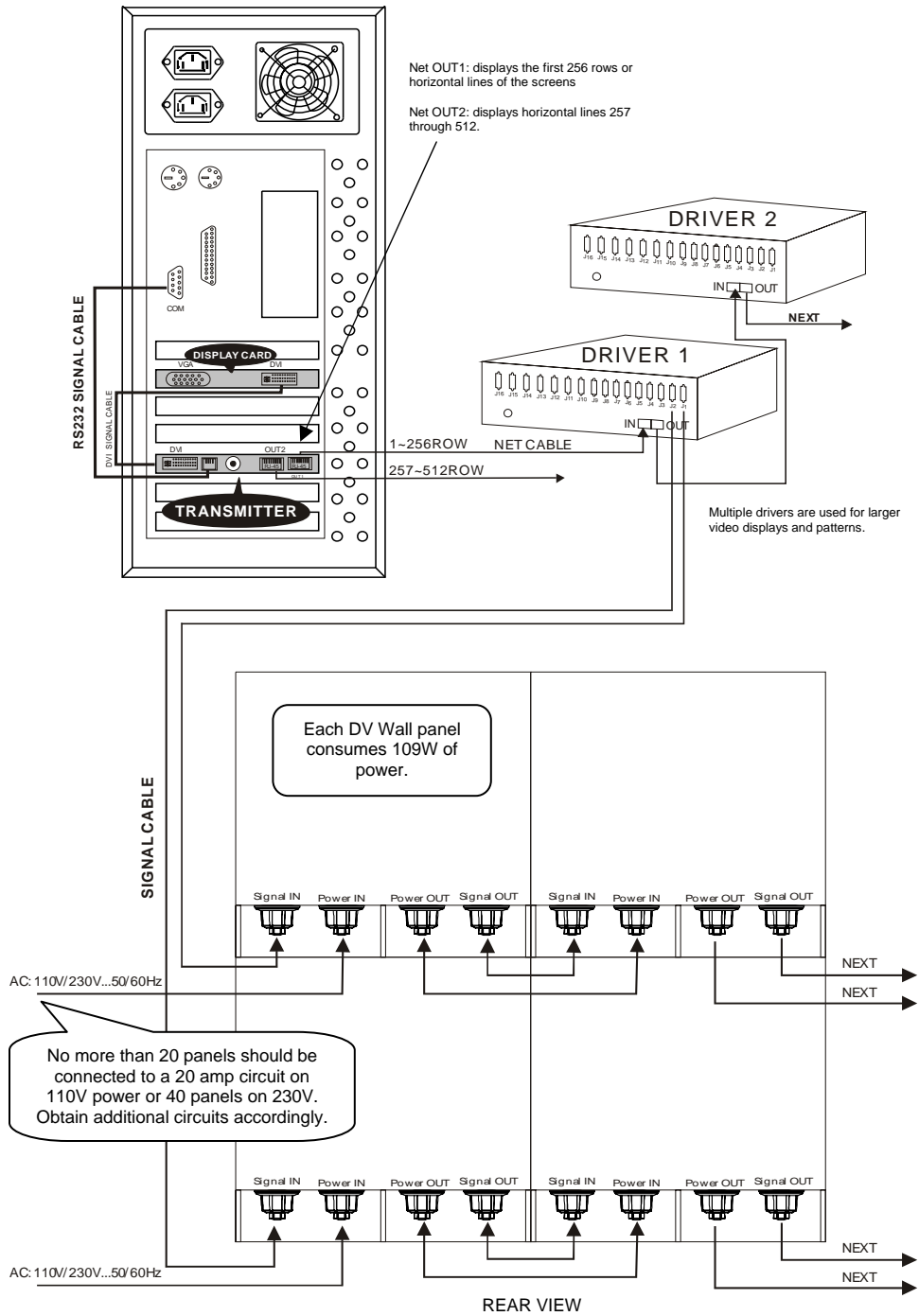
The flying bracket attachment is used to fly or rig a 1 meter width section of a DV wall. It is designed to be attached to the very top row of a 1 meter section. Additional hardware is provided for interconnecting multiple flying brackets.



### Caution!

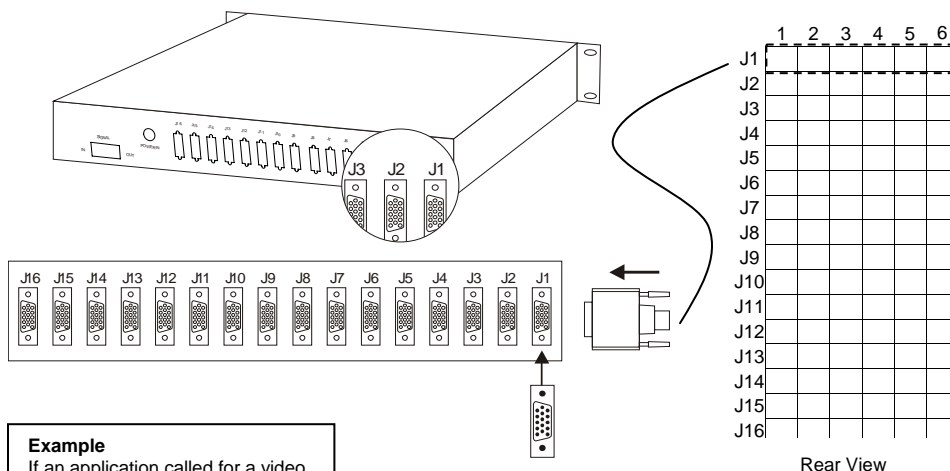
- Always make sure that all bolts are securely fastened.
- For screens measuring 3 meters in height or beyond, use 2 rigging points for every 1 meter section.
- Do not use on systems larger than 6 meters in height.

# Signal & Power Configuration



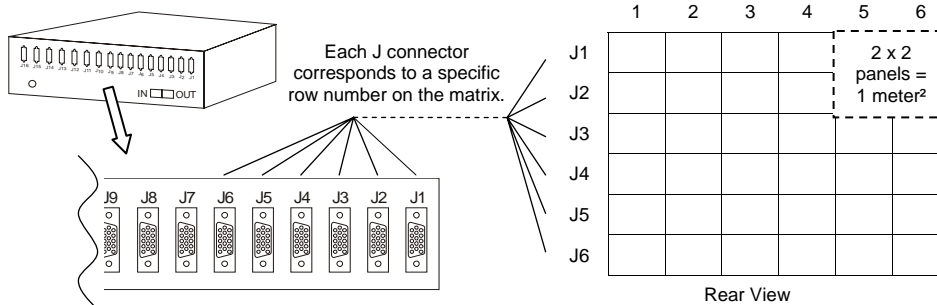
## DV-Wall Driver

Every driver contains 16 output ports (J1 ~ J16). Each output port provides signal source to one horizontal row of panels not exceeding 6 panels wide.



### Example

If an application called for a video wall 3 meters high and 3 meters wide the following connection diagram would apply:



It is also easy to calculate a required number of J output connectors to use so long as you have a specific pixel resolution in mind for your application.

| NUMBER OF HORIZONTAL LINES(ROWS) OR VERTICAL PIXELS | NO. OF PANELS VERTICAL | OUTPUT CONNECTIONS TO USE |
|---|------------------------|---------------------------|
| 16  | 1                      | J1                        |
| 32  | 2                      | J1 ~ J2                   |
| 48  | 3                      | J1 ~ J3                   |
| 64  | 4                      | J1 ~ J4                   |
| 80  | 5                      | J1 ~ J5                   |
| 96  | 6                      | J1 ~ J6                   |
| 112   | 7                      | J1 ~ J7                   |
| 128   | 8                      | J1 ~ J8                   |
| 144   | 9                      | J1 ~ J9                   |
| 160   | 10                     | J1 ~ J10                  |
| 176   | 11                     | J1 ~ J11                  |
| 192   | 12                     | J1 ~ J12                  |
| 208   | 13                     | J1 ~ J13                  |
| 224   | 14                     | J1 ~ J14                  |
| 240   | 15                     | J1 ~ J15                  |
| 256   | 16                     | J1 ~ J16                  |

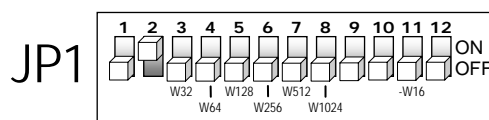
## Dipswitch Settings

A DV-Wall video display matrix may consist of up to 16 drivers or 16 individual grid sections in various pattern configurations. Each driver must be addressed according to your configuration so that the video displayed appears whole and intact. Two internal dipswitches (JP1 & JP2) are addressed according to your system layout and configuration.

|     |  |
|-----|--|
| JP1 | Sets the total width one driver will display. The width can be described in either number of panels or pixel resolution. Possible widths include 1 to 6 panels or 16 to 96 horizontal pixels.  |
| JP2 | Sets the starting vertical line from which this driver will begin to display video. Remember that a matrix may consist of multiple sections across, so in order to display video correctly you will need to set the starting address for each section handled by a driver. |

### JP1 Dipswitch

JP1 dipswitches have their own unique addressing method. For example setting dipswitch 3 to ON adds 32 values to the counter while setting 11 to ON subtracts 16.



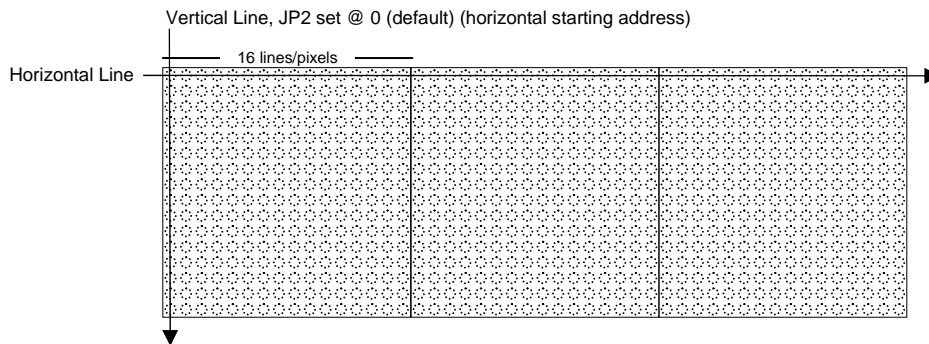
DEFAULT SETTING = 32

You can use the table below to quickly identify the dipswitch settings for your matrix width.

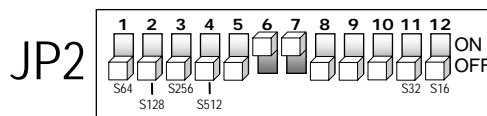
| Horizontal Width in<br>(pixel columns or vertical<br>lines) | Number of<br>panels | JP1 Dipswitches   |              |        |        |         |         |         |          |               |               |             |               |  |
|---|---------------------|---|--------------|--------|--------|---------|---------|---------|----------|---------------|---------------|-------------|---------------|--|
|   |                     | (Default Off)   | (Default On) | add 32 | add 64 | add 128 | add 256 | add 512 | add 1024 | (Default Off) | (Default Off) | subtract 16 | (Default Off) |  |
|   |                     | 1   | 2            | 3      | 4      | 5       | 6       | 7       | 8        | 9             | 10            | 11          | 12            |  |
| 16  | 1                   |   | 1            |        |        |         |         |         |          |               |               |             | 1             |  |
| 32  | 2                   |   | 1            |        |        |         |         |         |          |               |               |             |               |  |
| 48  | 3                   |   | 1            | 1      |        |         |         |         |          |               |               |             | 1             |  |
| 64  | 4                   |   | 1            | 1      |        |         |         |         |          |               |               |             |               |  |
| 80  | 5                   |   | 1            |        | 1      |         |         |         |          |               |               |             | 1             |  |
| 96  | 6                   |   | 1            |        | 1      |         |         |         |          |               |               |             |               |  |
|   |                     | <b>Note:</b> 1 = Dipswitch ON, Blank = Dipswitch OFF<br>The default setting of dipswitch # 2 ON and all others OFF equals 32. |              |        |        |         |         |         |          |               |               |             |               |  |

## JP2 Dipswitch

In order for video to display properly across multiple sections or drivers, each driver must be addressed accordingly. The JP2 dipswitch establishes the horizontal starting address or (vertical line) for each section of matrix.



Just like the JP1 dipswitch, JP2 has different numerical designations for addressing. Dipswitches 6 and 7 always remain in the ON position.



DEFAULT START ADDR = 0

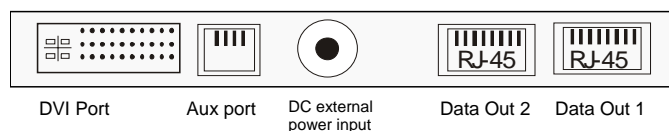
You can use the table below to quickly identify the dipswitch settings for a starting address.

| Vertical Lines<br>(Horizontal starting<br>address) | JP2 Dipswitches |         |         |         |               |              |              |               |               |               |        |        | Vertical Lines<br>(Horizontal starting<br>address) | JP2 Dipswitches |         |         |         |               |              |              |               |               |               |        |        |
|--|-----------------|---------|---------|---------|---------------|--------------|--------------|---------------|---------------|---------------|--------|--------|--|-----------------|---------|---------|---------|---------------|--------------|--------------|---------------|---------------|---------------|--------|--------|
|  | add 64          | add 128 | add 256 | add 512 | (Default Off) | (Default On) | (Default On) | (Default Off) | (Default Off) | (Default Off) | add 16 | add 32 |  | add 64          | add 128 | add 256 | add 512 | (Default Off) | (Default On) | (Default On) | (Default Off) | (Default Off) | (Default Off) | add 16 | add 32 |
|  | 1               | 2       | 3       | 4       | 5             | 6            | 7            | 8             | 9             | 10            | 11     | 12     |  | 1               | 2       | 3       | 4       | 5             | 6            | 7            | 8             | 9             | 10            | 11     | 12     |
| 0  |                 |         |         |         |               | 1            | 1            |               |               |               |        |        | 400  |                 | 1       | 1       |         |               | 1            | 1            |               |               |               | 1      |        |
| 16   |                 |         |         |         |               | 1            | 1            |               |               |               | 1      |        | 416  |                 | 1       | 1       |         |               | 1            | 1            |               |               |               |        | 1      |
| 32   |                 |         |         |         |               | 1            | 1            |               |               |               | 1      |        | 432  |                 | 1       | 1       |         |               | 1            | 1            |               |               |               | 1      | 1      |
| 48   |                 |         |         |         |               | 1            | 1            |               |               |               | 1      | 1      | 448  |                 | 1       | 1       | 1       |               | 1            | 1            |               |               |               |        |        |
| 64   | 1               |         |         |         |               | 1            | 1            |               |               |               | 1      |        | 464  | 1               | 1       | 1       |         |               | 1            | 1            |               |               |               | 1      |        |
| 80   | 1               |         |         |         |               | 1            | 1            |               |               |               | 1      |        | 480  | 1               | 1       | 1       |         |               | 1            | 1            |               |               |               |        | 1      |
| 96   | 1               |         |         |         |               | 1            | 1            |               |               |               | 1      |        | 496  | 1               | 1       | 1       |         |               | 1            | 1            |               |               |               | 1      | 1      |
| 112  | 1               |         |         |         |               | 1            | 1            |               |               |               | 1      | 1      | 512  |                 |         |         | 1       |               | 1            | 1            |               |               |               |        |        |
| 128  |                 | 1       |         |         |               | 1            | 1            |               |               |               |        |        | 528  |                 |         | 1       |         |               | 1            | 1            |               |               |               | 1      |        |
| 144  |                 | 1       |         |         |               | 1            | 1            |               |               |               | 1      |        | 544  |                 |         | 1       |         |               | 1            | 1            |               |               |               | 1      | 1      |
| 160  |                 | 1       |         |         |               | 1            | 1            |               |               |               | 1      |        | 560  |                 |         | 1       |         |               | 1            | 1            |               |               |               | 1      | 1      |
| 176  |                 | 1       |         |         |               | 1            | 1            |               |               |               | 1      | 1      | 576  | 1               |         |         | 1       |               | 1            | 1            |               |               |               |        |        |
| 192  | 1               | 1       |         |         |               | 1            | 1            |               |               |               |        |        | 592  | 1               |         |         | 1       |               | 1            | 1            |               |               |               | 1      |        |
| 208  | 1               | 1       |         |         |               | 1            | 1            |               |               |               | 1      |        | 608  | 1               |         | 1       |         | 1             | 1            |              |               |               |               | 1      |        |
| 224  | 1               | 1       |         |         |               | 1            | 1            |               |               |               | 1      | 1      | 624  | 1               |         |         | 1       |               | 1            | 1            |               |               |               | 1      | 1      |
| 240  | 1               | 1       |         |         |               | 1            | 1            |               |               |               | 1      | 1      | 640  |                 | 1       |         | 1       |               | 1            | 1            |               |               |               |        |        |
| 256  |                 |         | 1       |         |               | 1            | 1            |               |               |               |        |        | 656  |                 | 1       |         | 1       |               | 1            | 1            |               |               |               | 1      |        |
| 272  |                 |         | 1       |         |               | 1            | 1            |               |               |               | 1      |        | 672  |                 | 1       |         | 1       |               | 1            | 1            |               |               |               |        | 1      |
| 288  |                 |         | 1       |         |               | 1            | 1            |               |               |               | 1      |        | 688  |                 | 1       |         | 1       |               | 1            | 1            |               |               |               | 1      | 1      |
| 304  |                 |         | 1       |         |               | 1            | 1            |               |               |               | 1      | 1      | 704  | 1               | 1       |         | 1       |               | 1            | 1            |               |               |               |        |        |
| 320  | 1               |         | 1       |         |               | 1            | 1            |               |               |               |        |        | 720  | 1               | 1       |         | 1       |               | 1            | 1            |               |               |               | 1      |        |
| 336  | 1               |         | 1       |         |               | 1            | 1            |               |               |               | 1      |        | 736  | 1               | 1       |         | 1       |               | 1            | 1            |               |               |               |        | 1      |
| 352  | 1               |         | 1       |         |               | 1            | 1            |               |               |               | 1      |        | 752  | 1               | 1       |         | 1       |               | 1            | 1            |               |               |               | 1      | 1      |
| 368  | 1               |         | 1       |         |               | 1            | 1            |               |               |               | 1      | 1      | 768  |                 |         | 1       |         | 1             | 1            |              |               |               |               |        |        |
| 384  |                 | 1       | 1       |         |               | 1            | 1            |               |               |               |        |        |  |                 |         |         |         |               |              |              |               |               |               |        |        |

**Note:** 1 = Dipswitch ON, Blank = Dipswitch OFF

## Transmitter Card

Install the transmitter card in an available PCI slot in your computer. The transmitter card is the interface between your PC, DV-Wall Studio software and the DV-Wall Screen. You must use the DVI cable provided to connect from the computers DVI output to the DVI port on the transmitter card.



### Data Out 1 & Data Out 2 connectors

The two network output ports transmit 256 rows or horizontal lines. Output 1 transmits rows/lines 1 through 256. Output 2 transmits rows/lines 257 through 512.

### Aux Port

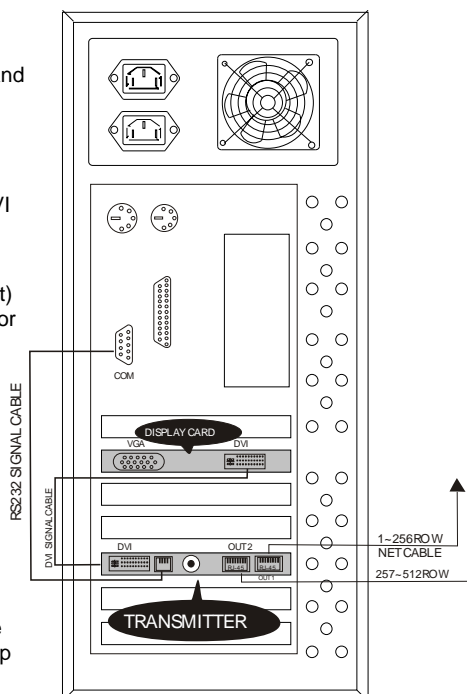
This is a standard 6-pin telephone connector. A cable is provided that connects from the 9-pin DIN RS232 port to the Aux port on the transmitter card. This port allows control of the R variable, gray scale, DV Wall matrix active area, and matrix lock and matrix range.

### DC External Power Input

This input takes a 5V power supply. It is only used if the transmitter card will be operated eternally of the computer.

### Transmitter Card Installation

1. Turn off the computer before opening its case and adding or removing components.
2. Insert the transmitter card into an available PCI slot in your computer.
3. Connect out of your computer's display card DVI output and into the DVI input on the transmitter card using the DVI signal cable provided.
4. Connect out of the serial RS232 (also COM port) connector and into the 6-pin telephone connector on the transmitter card using the RS232 signal cable provided.
5. Plug the provided ethernet cable into the RJ45 connector labeled OUT 1 and into a driver's ethernet IN connector to display rows 1 through 256.
6. If using displaying 512 row lines connect the OUT 2 as well to a new driver.
7. Secure all connections.
8. In order to test the system successfully it will be necessary to address the drivers correctly. Jump to the section in this manual on driver dipswitch settings.
9. Once drivers are assigned, turn on the computer and test the system.



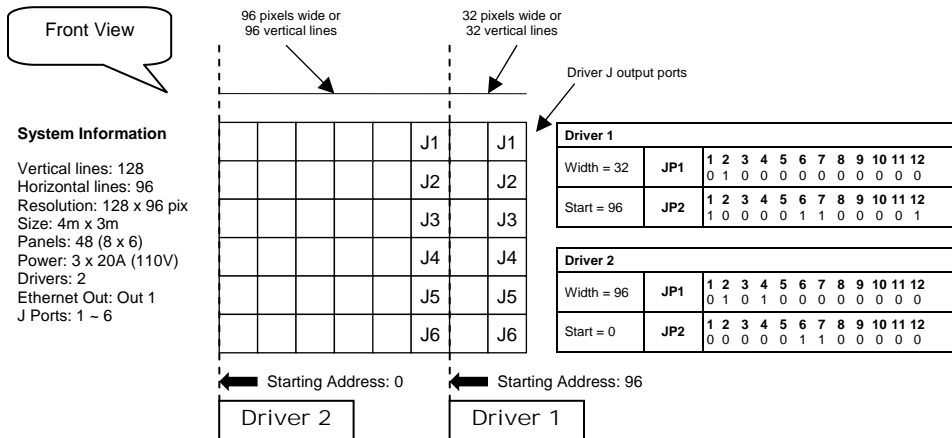
#### Note!

If your computer reboots or turns off abruptly; please remove the DVI cable from the transmitter card and reboot your computer. After Windows loads reconnect the DVI cable.

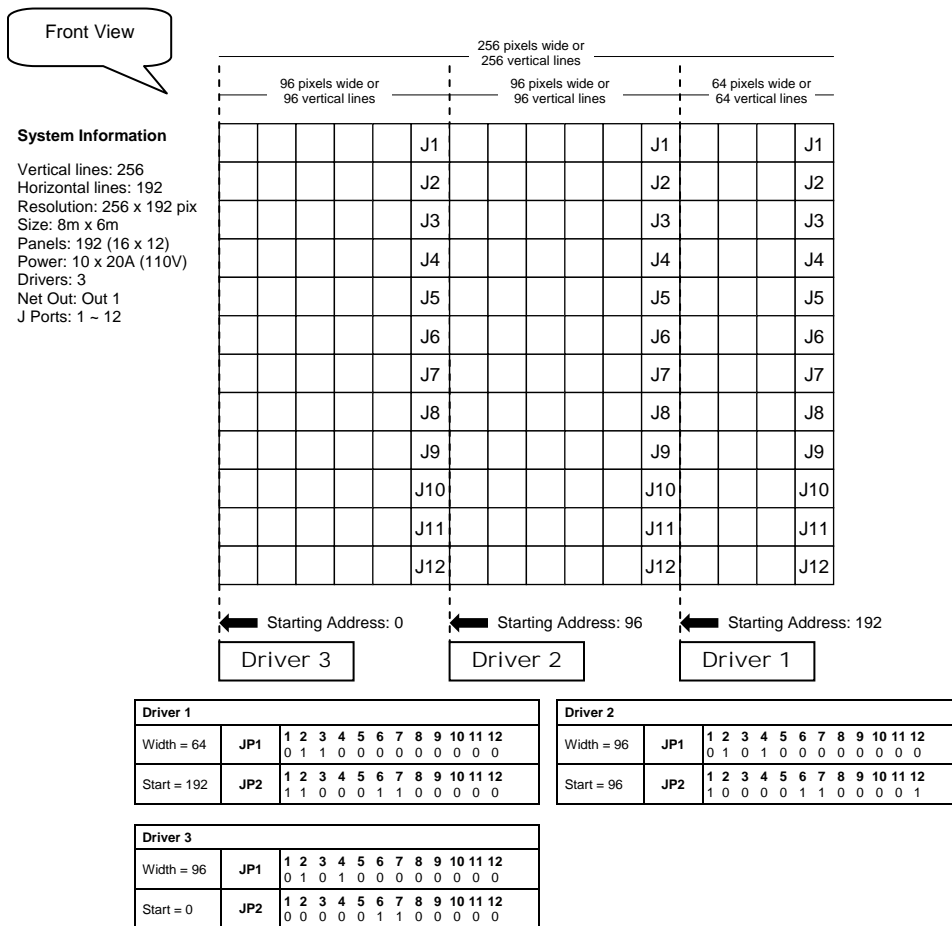
# Example System Configurations

## 4:3 Aspect Ratio

4 meters by 3 meter

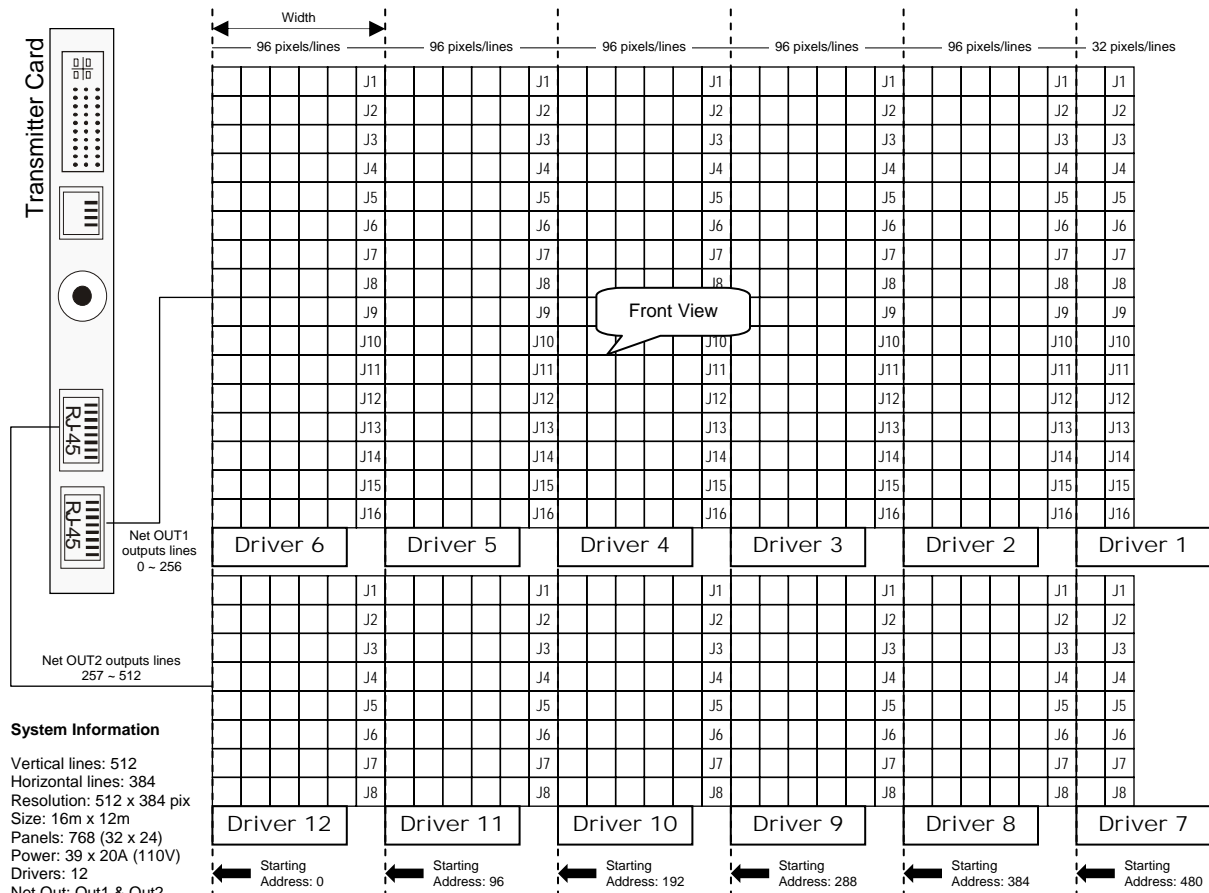


## 8 meters by 6 meters





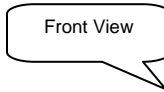
### 16 meters by 12 meters



| Driver           | Width | JP1   | JP2   |
|------------------|-------|---|---|
| <b>Driver 1</b>  | 32    | 1 2 3 4 5 6 7 8 9 10 11 12<br>0 1 0 0 0 0 0 0 0 0 0 0 | 1 2 3 4 5 6 7 8 9 10 11 12<br>1 1 1 0 0 1 1 0 0 0 0 1 |
| <b>Driver 2</b>  | 96    | 1 2 3 4 5 6 7 8 9 10 11 12<br>0 1 0 1 0 0 0 0 0 0 0 0 | 1 2 3 4 5 6 7 8 9 10 11 12<br>0 1 1 0 0 1 1 0 0 0 0 0 |
| <b>Driver 3</b>  | 96    | 1 2 3 4 5 6 7 8 9 10 11 12<br>0 1 0 1 0 0 0 0 0 0 0 0 | 1 2 3 4 5 6 7 8 9 10 11 12<br>0 0 0 0 0 1 1 0 0 0 0 1 |
| <b>Driver 4</b>  | 96    | 1 2 3 4 5 6 7 8 9 10 11 12<br>0 1 0 1 0 0 0 0 0 0 0 0 | 1 2 3 4 5 6 7 8 9 10 11 12<br>1 1 0 0 0 1 1 0 0 0 0 0 |
| <b>Driver 5</b>  | 96    | 1 2 3 4 5 6 7 8 9 10 11 12<br>0 1 0 1 0 0 0 0 0 0 0 0 | 1 2 3 4 5 6 7 8 9 10 11 12<br>1 0 0 0 0 1 1 0 0 0 0 1 |
| <b>Driver 6</b>  | 96    | 1 2 3 4 5 6 7 8 9 10 11 12<br>0 1 0 1 0 0 0 0 0 0 0 0 | 1 2 3 4 5 6 7 8 9 10 11 12<br>0 0 0 0 0 1 1 0 0 0 0 0 |
| <b>Driver 7</b>  | 32    | 1 2 3 4 5 6 7 8 9 10 11 12<br>0 1 0 0 0 0 0 0 0 0 0 0 | 1 2 3 4 5 6 7 8 9 10 11 12<br>1 1 1 0 0 1 1 0 0 0 0 1 |
| <b>Driver 8</b>  | 96    | 1 2 3 4 5 6 7 8 9 10 11 12<br>0 1 0 1 0 0 0 0 0 0 0 0 | 1 2 3 4 5 6 7 8 9 10 11 12<br>0 1 1 0 0 1 1 0 0 0 0 0 |
| <b>Driver 9</b>  | 96    | 1 2 3 4 5 6 7 8 9 10 11 12<br>0 1 0 1 0 0 0 0 0 0 0 0 | 1 2 3 4 5 6 7 8 9 10 11 12<br>0 0 0 0 0 1 1 0 0 0 0 1 |
| <b>Driver 10</b> | 96    | 1 2 3 4 5 6 7 8 9 10 11 12<br>0 1 0 1 0 0 0 0 0 0 0 0 | 1 2 3 4 5 6 7 8 9 10 11 12<br>1 1 0 0 0 1 1 0 0 0 0 0 |
| <b>Driver 11</b> | 96    | 1 2 3 4 5 6 7 8 9 10 11 12<br>0 1 0 1 0 0 0 0 0 0 0 0 | 1 2 3 4 5 6 7 8 9 10 11 12<br>1 0 0 0 0 1 1 0 0 0 0 1 |
| <b>Driver 12</b> | 96    | 1 2 3 4 5 6 7 8 9 10 11 12<br>0 1 0 1 0 0 0 0 0 0 0 0 | 1 2 3 4 5 6 7 8 9 10 11 12<br>0 0 0 0 0 1 1 0 0 0 0 0 |

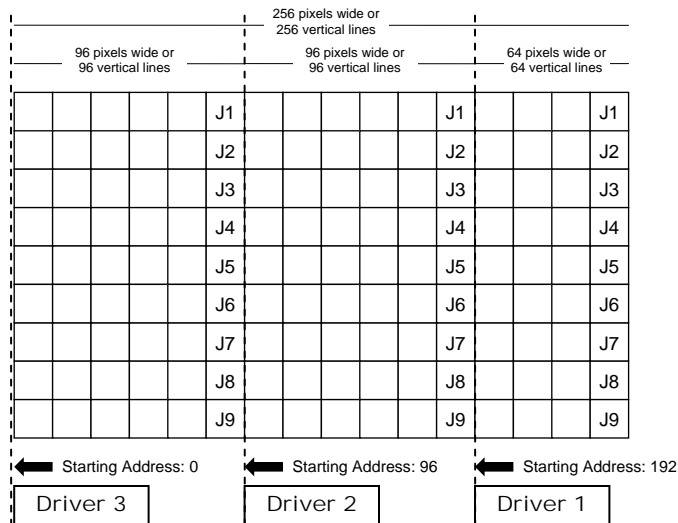
## 16:9 Aspect Ratio

8 meters by 4.5 meters



### System Information

Vertical lines: 256  
 Horizontal lines: 144  
 Resolution: 256 x 144 pix  
 Size: 8m x 4.5m  
 Panels: 144 (16 x 9)  
 Power: 8 x 20A (110V)  
 Drivers: 3  
 Net Out: Out 1  
 J Ports: 1 ~ 9



| Driver 1    |   |
|-------------|---|
| Width = 64  | JP1 1 2 3 4 5 6 7 8 9 10 11 12<br>0 1 1 0 0 0 0 0 0 0 0 0 |
| Start = 192 | JP2 1 2 3 4 5 6 7 8 9 10 11 12<br>1 1 0 0 0 1 1 0 0 0 0 0 |

| Driver 2   |   |
|------------|---|
| Width = 96 | JP1 1 2 3 4 5 6 7 8 9 10 11 12<br>0 1 0 1 0 0 0 0 0 0 0 0 |
| Start = 96 | JP2 1 2 3 4 5 6 7 8 9 10 11 12<br>1 0 0 0 0 1 1 0 0 0 0 1 |

| Driver 3   |   |
|------------|---|
| Width = 96 | JP1 1 2 3 4 5 6 7 8 9 10 11 12<br>0 1 0 1 0 0 0 0 0 0 0 0 |
| Start = 0  | JP2 1 2 3 4 5 6 7 8 9 10 11 12<br>0 0 0 0 0 1 1 0 0 0 0 0 |

| Driver 2   |   |
|------------|---|
| Width = 96 | JP1 1 2 3 4 5 6 7 8 9 10 11 12<br>0 1 0 1 0 0 0 0 0 0 0 0 |
| Start = 96 | JP2 1 2 3 4 5 6 7 8 9 10 11 12<br>1 0 0 0 0 1 1 0 0 0 0 1 |

## 16 meters by 9 meters

By now you should have a good understanding of the steps involved in configuring fairly simple sizes. The following example will not illustrate the grid but will present all dipswitch settings in a table format and relevant system information for a 16 by 9 meter matrix. J1~J8 are used for Net OUT2 only.

| Driver |   |
|--------|---|
| 1      | Width = 64 JP1 1 2 3 4 5 6 7 8 9 10 11 12<br>0 1 0 0 0 0 0 0 0 0 0 0  |
|        | Start = 192 JP2 1 2 3 4 5 6 7 8 9 10 11 12<br>1 1 1 0 0 1 1 0 0 0 0 1 |
| 2      | Width = 64 JP1 1 2 3 4 5 6 7 8 9 10 11 12<br>0 1 0 1 0 0 0 0 0 0 0 0  |
|        | Start = 192 JP2 1 2 3 4 5 6 7 8 9 10 11 12<br>0 1 1 0 0 1 1 0 0 0 0 0 |
| 3      | Width = 64 JP1 1 2 3 4 5 6 7 8 9 10 11 12<br>0 1 0 1 0 0 0 0 0 0 0 0  |
|        | Start = 192 JP2 1 2 3 4 5 6 7 8 9 10 11 12<br>0 0 0 0 0 1 1 0 0 0 0 1 |
| 4      | Width = 64 JP1 1 2 3 4 5 6 7 8 9 10 11 12<br>0 1 0 1 0 0 0 0 0 0 0 0  |
|        | Start = 192 JP2 1 2 3 4 5 6 7 8 9 10 11 12<br>1 1 0 0 0 1 1 0 0 0 0 0 |
| 5      | Width = 64 JP1 1 2 3 4 5 6 7 8 9 10 11 12<br>0 1 0 1 0 0 0 0 0 0 0 0  |
|        | Start = 192 JP2 1 2 3 4 5 6 7 8 9 10 11 12<br>1 0 0 0 0 1 1 0 0 0 0 1 |
| 6      | Width = 64 JP1 1 2 3 4 5 6 7 8 9 10 11 12<br>0 1 0 1 0 0 0 0 0 0 0 0  |
|        | Start = 192 JP2 1 2 3 4 5 6 7 8 9 10 11 12<br>0 0 0 0 0 1 1 0 0 0 0 0 |

| Driver |   |
|--------|---|
| 7      | Width = 64 JP1 1 2 3 4 5 6 7 8 9 10 11 12<br>0 1 0 0 0 0 0 0 0 0 0 0  |
|        | Start = 192 JP2 1 2 3 4 5 6 7 8 9 10 11 12<br>1 1 1 0 0 1 1 0 0 0 0 1 |
| 8      | Width = 64 JP1 1 2 3 4 5 6 7 8 9 10 11 12<br>0 1 0 1 0 0 0 0 0 0 0 0  |
|        | Start = 192 JP2 1 2 3 4 5 6 7 8 9 10 11 12<br>0 1 1 0 0 1 1 0 0 0 0 0 |
| 9      | Width = 64 JP1 1 2 3 4 5 6 7 8 9 10 11 12<br>0 1 0 1 0 0 0 0 0 0 0 0  |
|        | Start = 192 JP2 1 2 3 4 5 6 7 8 9 10 11 12<br>0 0 0 0 0 1 1 0 0 0 0 1 |
| 10     | Width = 64 JP1 1 2 3 4 5 6 7 8 9 10 11 12<br>0 1 0 1 0 0 0 0 0 0 0 0  |
|        | Start = 192 JP2 1 2 3 4 5 6 7 8 9 10 11 12<br>1 1 0 0 0 1 1 0 0 0 0 0 |
| 11     | Width = 64 JP1 1 2 3 4 5 6 7 8 9 10 11 12<br>0 1 0 1 0 0 0 0 0 0 0 0  |
|        | Start = 192 JP2 1 2 3 4 5 6 7 8 9 10 11 12<br>1 0 0 0 0 1 1 0 0 0 0 1 |
| 12     | Width = 64 JP1 1 2 3 4 5 6 7 8 9 10 11 12<br>0 1 0 1 0 0 0 0 0 0 0 0  |
|        | Start = 192 JP2 1 2 3 4 5 6 7 8 9 10 11 12<br>0 0 0 0 0 1 1 0 0 0 0 0 |

### System Information

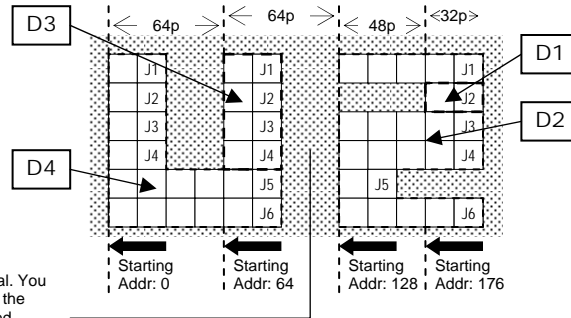
Vertical lines: 512  
 Horizontal lines: 384  
 Resolution: 512 x 384 pix  
 Size: 16m x 9m  
 Panels: 768 (32 x 24)  
 Power: 96 x 20A (110V)  
 Drivers: 12  
 Net Out: Out1 & Out2  
 J Ports: Out1: J1 ~ J16  
 J Ports: Out2: J1 ~ J8

## Special Applications

### Pattern 1

#### System Information

Vertical lines: 208  
 Horizontal lines: 96  
 Resolution: 208 x 96 pix  
 Size: 6.5m x 3m  
 Panels: 52 (pattern)  
 Power: 3 x 20A (110V)  
 Drivers: 4  
 Net Out: Out 1  
 J Ports: 1 ~ 6



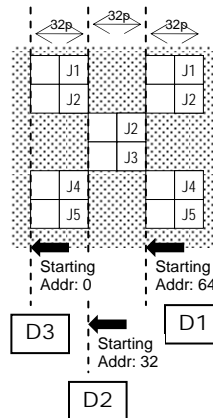
This space is optional. You may choose to have the video signal displayed continuously regardless of the gap.

| Driver |             |     |  | 1 | 2 | 3 | 4 | 5 | 6 | 7 | 8 | 9 | 10 | 11 | 12 |
|--------|-------------|-----|--|---|---|---|---|---|---|---|---|---|----|----|----|
| 1      | Width = 32  | JP1 |  | 0 | 1 | 0 | 0 | 0 | 0 | 0 | 0 | 0 | 0  | 0  | 0  |
|        | Start = 176 | JP2 |  | 1 | 1 | 0 | 0 | 1 | 1 | 0 | 0 | 0 | 0  | 1  |    |
| 2      | Width = 48  | JP1 |  | 0 | 1 | 0 | 1 | 0 | 0 | 0 | 0 | 0 | 0  | 0  | 0  |
|        | Start = 128 | JP2 |  | 0 | 1 | 1 | 0 | 0 | 1 | 1 | 0 | 0 | 0  | 0  | 0  |
| 3      | Width = 64  | JP1 |  | 0 | 1 | 0 | 1 | 0 | 0 | 0 | 0 | 0 | 0  | 0  | 0  |
|        | Start = 64  | JP2 |  | 0 | 0 | 0 | 0 | 0 | 1 | 1 | 0 | 0 | 0  | 0  | 1  |
| 4      | Width = 64  | JP1 |  | 0 | 1 | 0 | 1 | 0 | 0 | 0 | 0 | 0 | 0  | 0  | 0  |
|        | Start = 0   | JP2 |  | 1 | 1 | 0 | 0 | 0 | 1 | 1 | 0 | 0 | 0  | 0  | 0  |

### Pattern 2

#### System Information

Vertical lines: 96  
 Horizontal lines: 96  
 Resolution: 96 x 96 pix  
 Size: 3m x 3m  
 Panels: 20 (pattern)  
 Power: 1 x 20A (110V)  
 Drivers: 3  
 Net Out: Out 1  
 J Ports: 1 ~ 5



| Driver |             |     |  | 1 | 2 | 3 | 4 | 5 | 6 | 7 | 8 | 9 | 10 | 11 | 12 |
|--------|-------------|-----|--|---|---|---|---|---|---|---|---|---|----|----|----|
| 1      | Width = 32  | JP1 |  | 0 | 1 | 0 | 0 | 0 | 0 | 0 | 0 | 0 | 0  | 0  | 0  |
|        | Start = 176 | JP2 |  | 1 | 1 | 0 | 0 | 1 | 1 | 0 | 0 | 0 | 0  | 1  |    |
| 2      | Width = 48  | JP1 |  | 0 | 1 | 0 | 1 | 0 | 0 | 0 | 0 | 0 | 0  | 0  | 0  |
|        | Start = 128 | JP2 |  | 0 | 1 | 1 | 0 | 0 | 1 | 1 | 0 | 0 | 0  | 0  | 0  |
| 3      | Width = 64  | JP1 |  | 0 | 1 | 0 | 1 | 0 | 0 | 0 | 0 | 0 | 0  | 0  | 0  |
|        | Start = 64  | JP2 |  | 0 | 0 | 0 | 0 | 0 | 1 | 1 | 0 | 0 | 0  | 0  | 1  |

a

# 4. Appendix

---

## Returns Procedure

Returned merchandise must be sent prepaid and in the original packing, call tags will not be issued. Package must be clearly labeled with a Return Merchandise Authorization Number (RA #). Products returned without an RA # will be refused. Call CHAUVET and request RA # prior to shipping the fixture. Be prepared to provide the model number, serial number and a brief description of the cause for the return. Be sure to properly pack fixture, any shipping damage resulting from inadequate packaging is the customer's responsibility. CHAUVET reserves the right to use its own discretion to repair or replace product(s). As a suggestion, proper UPS packing or double-boxing is always a safe method to use.

## Claims

Damage incurred in shipping is the responsibility of the shipper; therefore the damage must be reported to the carrier upon receipt of merchandise. It is the customer's responsibility to notify and submit claims with the shipper in the event that a fixture is damaged due to shipping. Any other claim for items such as missing component/part, damage not related to shipping, and concealed damage, must be made within seven (7) days of receiving merchandise.

## Maintenance

To maintain optimum performance and minimize wear, fixtures should be cleaned frequently. Usage and environment are contributing factors in determining frequency. As a general rule, fixtures should be cleaned at least twice a month. Dust build up reduces light output performance and can cause overheating. This can lead to reduced lamp life and increased mechanical wear. Be sure to power off fixture before conducting maintenance.

Unplug fixture from power. Use a vacuum or air compressor and a soft brush to remove dust collected on external vents and internal components. Clean all glass when the fixture is cold with a mild solution of glass cleaner or Isopropyl Alcohol and a soft lint free cotton cloth or lens tissue. Apply solution to the cloth or tissue and drag dirt and grime to the outside of the lens. Gently polish optical surfaces until they are free of haze and lint. Do not touch the lamp glass when cleaning fixture. Oil and dirt can cause damage and premature aging of the lamp. In the event that the lamp is touched or becomes dirty, clean the lamps with an alcohol wipe.

The cleaning of internal and external optical lenses and/or mirrors must be carried out periodically to optimize light output. Cleaning frequency depends on the environment in which the fixture operates: damp, smoky or particularly dirty surrounding can cause greater accumulation of dirt on the unit's optics. Clean with soft cloth using normal glass cleaning fluid. - Always dry the parts carefully. - Clean the external optics at least every 20 days. Clean the internal optics at least every 30/60 days.

## Technical Specifications (per panel)

### WEIGHT & DIMENSIONS

|                                     |                  |
|-------------------------------------|------------------|
| Length.....                         | 19.8 in (501 mm) |
| Width .....                         | 19.8 in (501 mm) |
| Height .....                        | 4.0 in (101 mm)  |
| Weight with mounting hardware ..... | 28 lbs (12.7 kg) |

### POWER

|                         |                          |
|-------------------------|--------------------------|
| Operating Voltage ..... | 110V 60 Hz or 230V 50 Hz |
| Power consumption.....  | 109W peak @ 120V         |
| Inrush power.....       | 136W @ 120V              |

### LIGHT SOURCE

|            |                                     |
|------------|-------------------------------------|
| LED's..... | 2304 (768 red, 768 green, 768 blue) |
|------------|-------------------------------------|

### PHOTO OPTIC

|                       |       |
|-----------------------|-------|
| Viewing Angle.....    | 120°  |
| Pixel Pitch.....      | .31mm |
| Pixels per panel..... | .256  |

### FUSE

|           |                         |
|-----------|-------------------------|
| Main..... | 20mm Glass 8A Fast Blow |
|-----------|-------------------------|

### CONTROL & PROGRAMMING

|                  |               |
|------------------|---------------|
| Data input ..... | VGA connector |
| Data output..... | VGA connector |

### ENVIRONMENTAL

|                           |                           |
|---------------------------|---------------------------|
| Ambient temperature ..... | 14° – 104°F (-10° – 40°C) |
|---------------------------|---------------------------|

### ORDERING INFORMATION

|  |            |
|--|------------|
| DV Wall™ Panel Set (4 panels in flight case) ..... | DVM-HR     |
| DV Wall™ Studio (software, PCI card, cables) ..... | DVW Studio |
| DV Wall™ Driver .....                              | DVW Driver |
| Flying Bracket for DVM-HR .....                    | DVM-BR     |

## Technical Support

Address: Service Dept.  
 3000 N 29th Ct, Hollywood, FL 33020 (U.S.A.)  
 Support (Email): [tech@chauvetlighting.com](mailto:tech@chauvetlighting.com)  
 Telephone: (954) 929-1115 - (Press 4)  
 Fax: (954) 929-5560 - (Attention: Service)  
 Website: <http://www.chauvetlighting.com>

## Free Manuals Download Website

<http://myh66.com>

<http://usermanuals.us>

<http://www.somanuals.com>

<http://www.4manuals.cc>

<http://www.manual-lib.com>

<http://www.404manual.com>

<http://www.luxmanual.com>

<http://aubethermostatmanual.com>

Golf course search by state

<http://golfingnear.com>

Email search by domain

<http://emailbydomain.com>

Auto manuals search

<http://auto.somanuals.com>

TV manuals search

<http://tv.somanuals.com>