

# **HURRICANE**<sup>™</sup> 1100

## User Manual



  
**CHAUVET**<sup>®</sup>  
Value · Innovation · Performance

---

# TABLE OF CONTENTS

<b>1. Before You Begin .....</b>	<b>3</b>
What Is Included .....	3
Unpacking Instructions .....	3
Claims .....	3
Product at a Glance.....	3
Safety Instructions.....	4
<b>2. Introduction .....</b>	<b>5</b>
Product Overview .....	5
Product Dimensions .....	5
<b>3. Setup .....</b>	<b>7</b>
AC Power.....	7
Fuse Replacement .....	7
Mounting .....	8
Orientation .....	8
Rigging .....	8
<b>4. Operating Instructions .....</b>	<b>9</b>
Manual Remote Operation (FC-M) (Standard) .....	9
Timer Remote Operation (FC-T) (Optional).....	9
Wireless Controller (FC-W) (Optional) .....	10
General Troubleshooting .....	11
Contact Information .....	11
<b>5. Technical Information .....</b>	<b>12</b>
General Maintenance .....	12
Storage .....	12
Return Procedure .....	13
<b>Technical Specifications.....</b>	<b>14</b>

---

# 1. BEFORE YOU BEGIN

## What Is Included

- Ø 1 x Hurricane™ 1100
- Ø 1 x FC-M Wired Manual Remote
- Ø Power Cord
- Ø 1 x Warranty Card
- Ø 1 x Quick Reference Guide

## Unpacking Instructions

Immediately upon receiving a fixture, carefully unpack the carton, check the contents to ensure that all parts are present, and have been received in good condition. Notify the shipper immediately and retain packing material for inspection if any parts appear damaged from shipping or the carton itself shows signs of mishandling. Save the carton and all packing materials. In the event that a fixture must be returned to the factory, it is important that the fixture be returned in the original factory box and packing.

## Claims

The carrier is responsible for any damage incurred during shipping to this product or any part that shipped with it. Therefore, if the received merchandise appears to have damages caused during shipping, the customer must submit the damage report and any related claims with the carrier, not CHAUVET®. The customer must submit the report upon reception of the damaged merchandise. Failure to do so in a timely manner may invalidate the customer's claim with the carrier.

For other issues such as missing components or parts, damage not related to shipping, or concealed damage, the customer must make claims to CHAUVET® within seven (7) days of receiving the merchandise.

## Product at a Glance

Use on Dimmer	×	Auto Programs	×
Outdoor Use	×	Auto-ranging Power Supply	×
Sound-Activated	×	Replaceable Fuse	P
DMX	×	User-Serviceable	×
Master/Slave	×	Duty Cycle	×

---

## Safety Instructions



**Please read the following notes carefully because they include important safety information about the installation, usage, and maintenance of this product.**

- Please keep this User Guide for future consultation. If you sell the unit to another user, be sure that they also receive this instruction booklet.
- Always make sure that you are connecting to the proper voltage, and that the line voltage you are connecting to is not higher than that stated on the decal or rear panel of the fixture.
- This product is intended for indoor use only! (If applicable)
- To prevent risk of fire or shock, do not expose fixture to rain or moisture. Make sure there are no flammable materials close to the unit while operating.
- The unit must be installed in a location with adequate ventilation, at least 20in (50cm) from adjacent surfaces. Be sure that no ventilation slots are blocked.
- Always disconnect from power source before servicing or replacing lamp or fuse and be sure to replace with same lamp source.
- Secure fixture to fastening device using a safety chain. Never carry the fixture solely by its head. Use its carrying handles.
- Maximum ambient temperature (Ta) is 104°F (40°C). Do not operate fixture at temperatures higher than this.
- In the event of a serious operating problem, stop using the unit immediately. Never try to repair the unit by yourself. Repairs carried out by unskilled people can lead to damage or malfunction. Please contact the nearest authorized technical assistance center. Always use the same type spare parts.
- Never connect the device to a dimmer pack.
- Make sure the power cord is never crimped or damaged.
- Never disconnect the power cord by pulling or tugging on the cord.
- Avoid direct eye exposure to the light source while it is on.



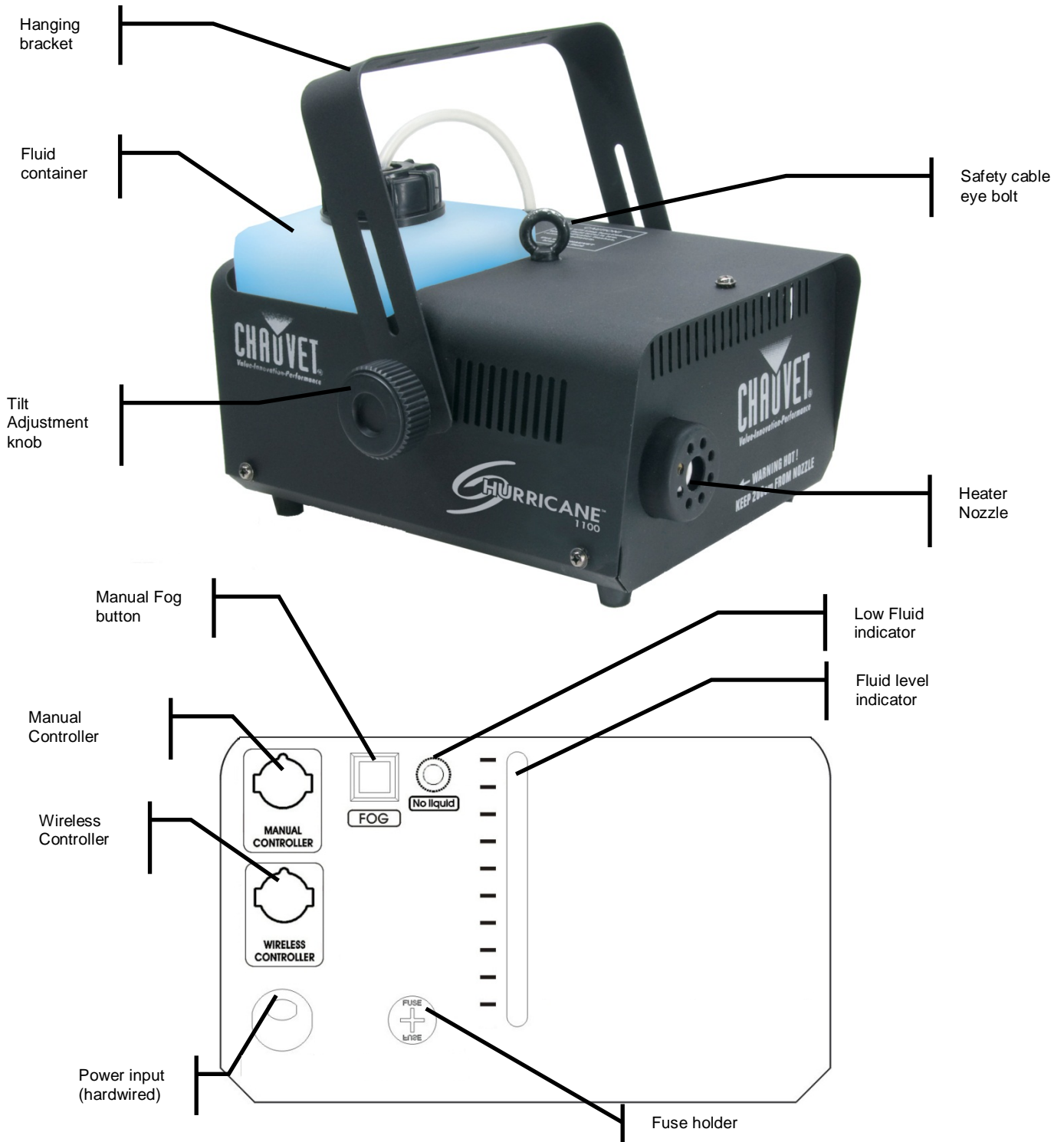
**There are no user serviceable parts inside the unit. Do not open the housing or attempt any repairs yourself. In the unlikely event your unit may require service, please contact CHAUVET at: 954-929-1115.**



**FCQ (Fog Cleaner Quart) was specifically developed by Chauvet to clean your Hurricane™ 1100. Make sure you use FCQ regularly to increase the life of your fogger.**

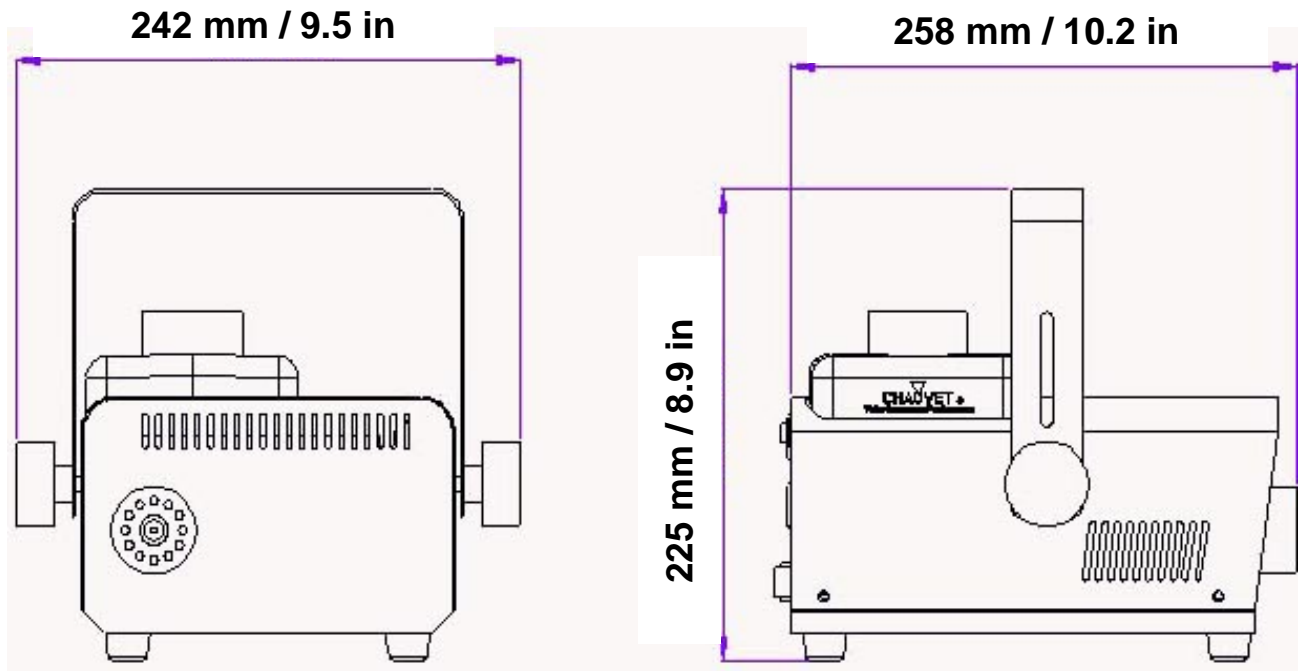
# 2. INTRODUCTION

## Product Overview



---

## Product Dimensions



---

# 3. SETUP

## AC Power

To determine the power requirements for a particular fixture, see the label affixed to the back plate of the fixture or refer to the fixture's specifications chart. A fixture's listed current rating is its average current draw under normal conditions. All fixtures must be powered directly off a switched circuit and cannot be run off a rheostat (variable resistor) or dimmer circuit, even if the rheostat or dimmer channel is used solely for a 0% to 100% switch. Before applying power to a fixture, check that the source voltage matches the fixture's requirement. Check the fixture or device carefully to make sure that if a voltage selection switch exists that it is set to the correct line voltage you will use.

## Fuse Replacement

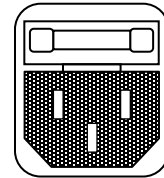


**Unplug the IEC power cable before replacing the fuse! Always replace with same type of fuse.**

This product has a replaceable fuse. In the event that the fuse needs to be replaced, follow the instructions provided below.

1. Using a flat head screwdriver, remove the fuseholder from the IEC housing.
2. Remove the bad fuse from the fuseholder.
3. Insert the new fuse into the fuseholder.
4. Install the fuseholder in the IEC housing.

The fuse is located inside this compartment. Remove using a flat head screwdriver.



---

## Mounting

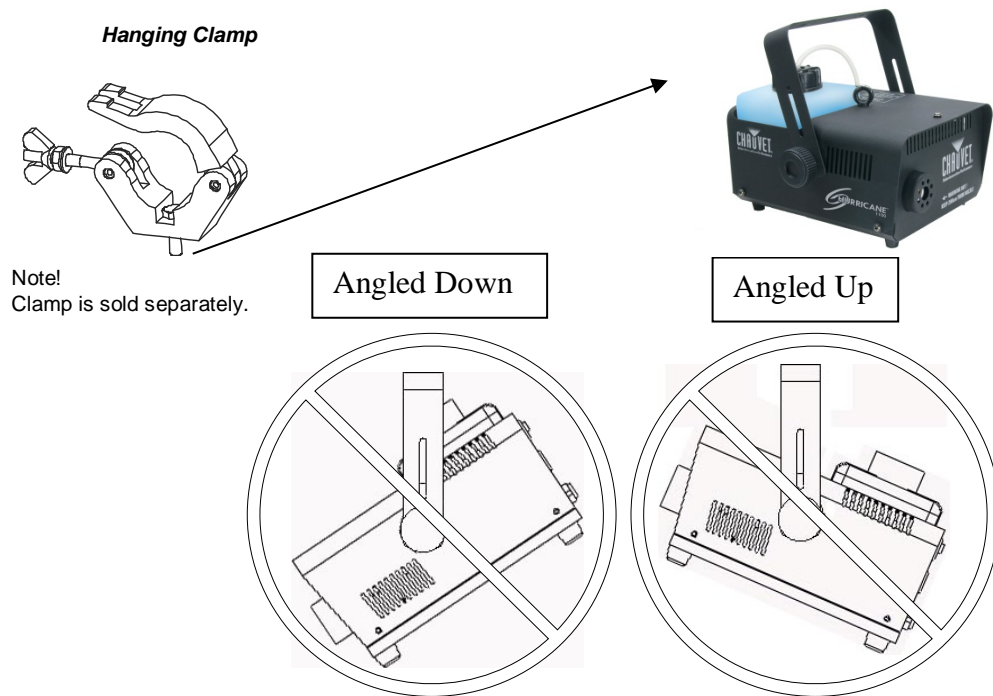
### Orientation

This fixture should only be mounted/used on a flat surface. This fixture may not be tilted.

### Rigging

It is important never to obstruct the vents' pathways. Mount the fixture using a suitable "C" or "O" type clamp.

- When selecting installation location, take into consideration the fluid reservoir access and routine maintenance.
- Safety cables must always be used, utilizing the provided safety eye bolt.
- Never mount in places where the fixture will be exposed to rain, high humidity, extreme temperature changes or restricted ventilation.





# 4. OPERATING INSTRUCTIONS

This mode will allow you to control the fogger manually, set the fog machine to run continuously, or to set the fog machine to run off bursts with adjustable interval and duration settings.

## Manual Remote Operation (FC-M) (Standard)

1. Plug in the fog machine to power.
2. Plug in the M remote to the Manual Controller socket on the rear of the fog machine.
3. Press the single button located on the remote to trigger the fog output.



The button is momentary, which means that the fog machine will only output while the button is pressed. Once the button is released, the fog will stop outputting.

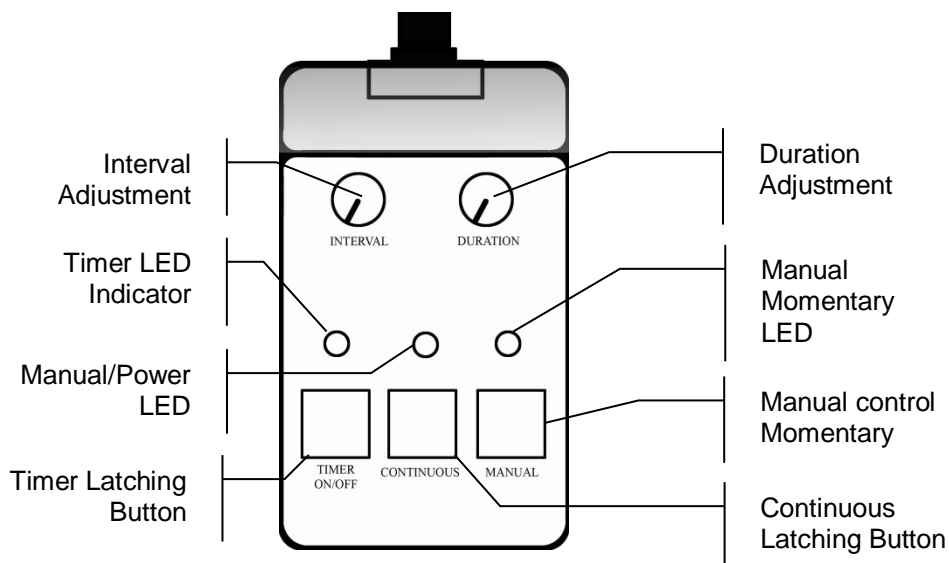
## Timer Remote Operation (FC-T) (Optional)

1. Plug in the fog machine to power.
2. Plug in the timer remote to the Manual Controller socket on the rear of the fog machine.
3. Press the TIMER ON/OFF button on the timer remote. The LED above the button should light, indicating activation of function.
4. You may now set the INTERVAL & DURATION adjustment knobs to the desired position.



The INTERVAL is the time between bursts of fog.

The DURATION is the time that the fog machine will run during the burst.



---

## Wireless Controller (FC-W) (Optional)

This mode will allow you to control the fogger using the optional wireless controller. This consists of the transmitter and the receiver. You may control up to 4 independent fog machines, or many more if you run them simultaneously. See the below instructions on setting up your fogger to operate with the FC-W.

1. Plug the wires receiver into the fog machine 5-pin port labeled "Wireless Controller".
2. There are 4 buttons on the wireless remote transmitter which act as triggers. Each button can be assigned to a different fog machine. You may only choose 1 dipswitch on each receiver. See the below configuration for setting the receivers to operate with the transmitter remote.

Mode	Dipswitches
CH1	1 = On, 2-4 = Off
CH2	2 = On, 1,3,4 = Off
CH3	3 = On, 1,2,4 = Off
CH4	4 = On, 1,2,3 = Off

3. Press the fog button, and the fog machine will output fog momentarily for as long as you hold down the button.



## General Troubleshooting

Symptom	Solution(s)
No Power	Check mains power. Check external fuse. Check internal fuse.
No fog output	Check fluid level. Check remote. If using wireless, check batteries. If using wireless, check dipswitches on receiver.
Breaker/Fuse keeps blowing	Possible electrical short. Contact Chauvet Dealer/distributor for further instruction.
Low fog output	Run a cleaning solution through the fog machine. Check that the fog machine is plugged into the correct voltage.
Fog machine is not heating up	Check the external fuse. Check the internal fuse. Possible bad part. Contact Chauvet or a Chauvet Dealer/distributor for further instruction.
Remote does not work	Make sure connector is firmly connected to device. Try using another controller. Possible bad controller. Check the internal fuse. Check the external fuse.
Fluid indicator states no fog, but the container is full.	Try resetting the fog machine by turning the power off, and then on again. Possible bad part. Contact Chauvet or a Chauvet Dealer/distributor for further instruction.

If you still have a problem after trying the above solutions, please contact **CHAUVET Technical Support** at the location listed below.

## Contact Information

### World Headquarters

CHAUVET®

#### *General Information*

Address: 5200 NW 108th Avenue  
Sunrise, FL 33351  
Voice: (954) 577-4455  
Fax: (954) 929-5560  
Toll free: (800) 762-1084

#### *Technical Support*

Voice: (954) 577-4455 (Press 4)  
Fax: (954) 756-8015

#### *World Wide Web*

[www.chauvetlighting.com](http://www.chauvetlighting.com)

### United Kingdom & Ireland

CHAUVET® Europe Ltd.

#### *General Information*

Address: Unit 1C  
Brookhill Road  
Pinxton, Nottingham, UK  
NG16 6NT  
Voice: +44 (0)1773 511115  
Fax: +44 (0)1773 511110

Email: [uktech@chauvetlighting.com](mailto:uktech@chauvetlighting.com)

#### *World Wide Web*

[www.chauvetlighting.co.uk](http://www.chauvetlighting.co.uk)

---

# 5. TECHNICAL INFORMATION

## General Maintenance

Do not allow the haze machine to become contaminated. After every 40 hours of continuous operation, use Chauvet® Fog Cleaner Quart (or a solution of 80% distilled water and 20% distilled vinegar) through the system to prevent the accumulation of particulate matter in the heating element is recommended.

The recommended cleaning regimen is as follows:

1. Empty all haze liquid from the machine.
2. Add cleaning solution to tank.
3. Plug unit in and allow it to warm up.
4. Run the unit in a well-ventilated area until the tank is almost empty. Do not allow the pump to run dry.
5. Cleaning is now complete. Refill with haze liquid. Run the machine briefly to clear any cleaning solution from the pump and heater.



**Fog Cleaner Quart (FCQ) was specifically developed by Chauvet® to clean your Hurricane™ 1100. Make sure you use FCQ regularly to increase the life of your product.**

## Storage

Before storing this product, FCQ through the system as described in the cleaning method above. This will help to avoid any particles condensing inside the pump or heater.

Test-run your Hurricane™ 1100 on a monthly basis to achieve the best performance.

---

## Return Procedure

Returned merchandise must be sent prepaid and in the original packing, call tags will not be issued. Package must be clearly labeled with a Return Merchandise Authorization Number (RMA #). Products returned without a RMA # will be refused. Call CHAUVET and request a RMA # prior to shipping the fixture. Be prepared to provide the model number, serial number and a brief description of the cause for the return. Be sure to properly pack fixture, any shipping damage resulting from inadequate packaging is the customer's responsibility. CHAUVET reserves the right to use its own discretion to repair or replace product(s). As a suggestion, proper UPS packing or double-boxing is always a safe method to use.

**If you are given an RMA #, please include the following information on a piece of paper inside the box:**

1. Your name
2. Your address
3. Your phone number
4. RMA #
5. A brief description of the symptoms

# TECHNICAL SPECIFICATIONS

## WEIGHT & DIMENSIONS

Length.....	10.2 in (258 mm)
Width .....	9.5 in (242 mm)
Height .....	8.9 in (225 mm)
Weight .....	8.4 lbs (3.8 kg)

## POWER

AC Power.....	120 V 60 Hz AC or 230 V 50 Hz
Fuse (115V) .....	8 A 250 V
Power Consumption.....	774 W (5.9 A) max at 120 V
Inrush Power.....	(6.5A) at 120 V
Power Factor.....	0.99 at 120 V
Fuse (230V) .....	5 A 250 V
Power Consumption.....	750 W (3.3 A) max at 230 V
Inrush Power.....	(3.14 A) at 230 V
Power Factor.....	0.99 at 230 V

## THERMAL

Maximum ambient temperature .....	104°F (40°C)
-----------------------------------	--------------

## CONTROL & PROGRAMMING

Data input .....	5-pin & ground DIN5 female socket
Data pin configuration.....	pin1(LED), pin2(control), pin3(+5V), pin4(ground), pin5(none), ground(none)

## ORDERING INFORMATION

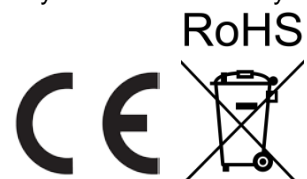
Hurricane™ 1100.....	F1100
Wired manual remote (included)   FC-M	
Wired timer remote (optional) .....	FC-T
Wireless manual remote (optional) .....	FC-W

## SPARE PARTS ORDERING INFORMATION

Master PCB .....	P170-F1MSPCB
Heater   P120-HT7	
Pump .....	P200-F1PUMP
Fluid container .....	P170-F1FLC
Fluid sensor   P170-F1FLOS	
Thermal switch.....	P170-THEF11
Bracket knob.....	P111-F1BKNOB
Fuse holder   P170-FUSEHOL	
Manual fog button .....	P111-F1FOGB

## WARRANTY INFORMATION

Warranty .....	1-year limited warranty
----------------	-------------------------



## Free Manuals Download Website

<http://myh66.com>

<http://usermanuals.us>

<http://www.somanuals.com>

<http://www.4manuals.cc>

<http://www.manual-lib.com>

<http://www.404manual.com>

<http://www.luxmanual.com>

<http://aubethermostatmanual.com>

Golf course search by state

<http://golfingnear.com>

Email search by domain

<http://emailbydomain.com>

Auto manuals search

<http://auto.somanuals.com>

TV manuals search

<http://tv.somanuals.com>