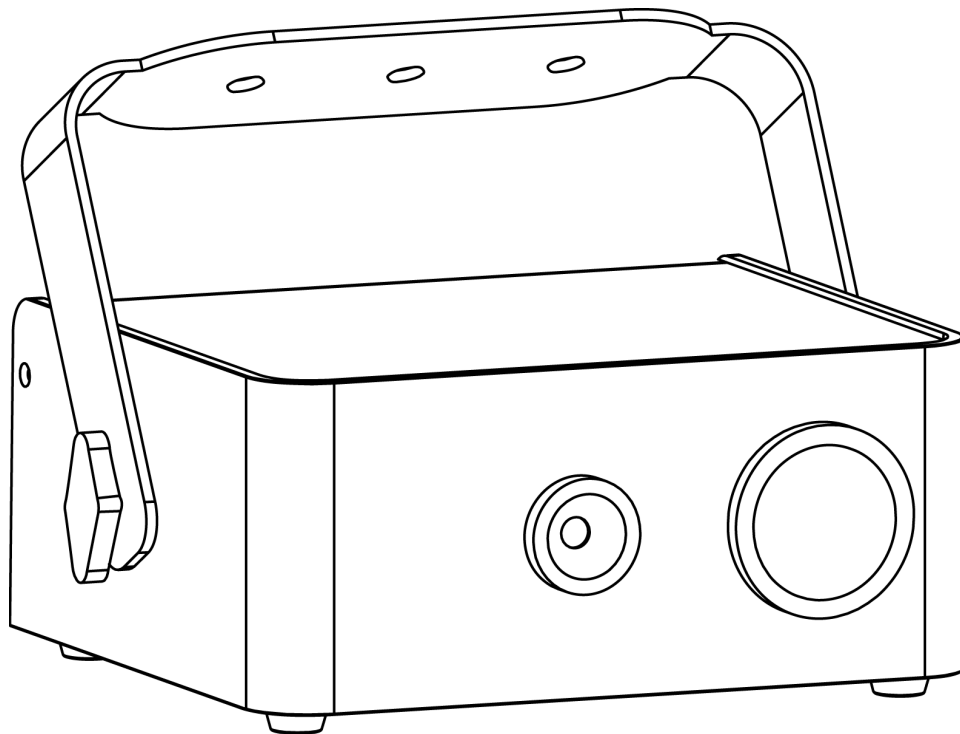


eclipse™ RGB



LASER LIGHT
AVOID DIRECT EYE EXPOSURE
CLASS 3R LASER PRODUCT
CLASSIFIED PER EN/IEC 60825-1:2007
Complies with FDA performance standards
for laser products except for deviations
pursuant to Laser Notice No. 50, dated
June 24, 2007.



CHAUVET®
Value • Innovation • Performance
It's
Green Thinking™

TABLE OF CONTENTS

| | |
|---|-----------|
| 1. BEFORE YOU BEGIN | 4 |
| LASER EMISSION DATA..... | 6 |
| LASER SAFETY LABEL REPRODUCTION..... | 7 |
| LASER COMPLIANCE STATEMENT..... | 8 |
| 2. INTRODUCTION | 9 |
| PRODUCT OVERVIEW..... | 9 |
| PRODUCT DIMENSIONS..... | 9 |
| 3. SETUP | 10 |
| AC POWER..... | 11 |
| MOUNTING..... | 11 |
| PROPER USE..... | 11 |
| 4. OPERATING INSTRUCTIONS | 12 |
| CONTROL PANEL OPERATION..... | 12 |
| MENU MAP..... | 12 |
| CONFIGURATION (DMX)..... | 12 |
| STARTING ADDRESS..... | 12 |
| DMX CHANNEL ASSIGNMENTS AND VALUES..... | 13 |
| CONFIGURATION (STANDALONE)..... | 14 |
| AUTOMATIC MODE..... | 14 |
| SOUND-ACTIVE MODE..... | 14 |
| LED COLOR MIXING..... | 14 |
| LED COLOR FADING..... | 14 |
| MASTER/SLAVE MODE..... | 15 |
| TECHNICAL SPECIFICATIONS..... | 16 |
| RETURNS..... | 17 |
| 1. ANTES DE EMPEZAR | 18 |
| INSTRUCCIONES DE SEGURIDAD..... | 19 |
| REPRODUCCION DE LA ETIQUETA DE SEGURIDAD DEL LASER..... | 21 |
| DATOS DE EMISION LÁSER..... | 22 |
| DECLARACIÓN DE CONFORMIDAD LÁSER..... | 22 |
| 2. INTRODUCCIÓN | 23 |
| VISIÓN GENERAL DEL PRODUCTO..... | 23 |
| DIMENSIONES DEL PRODUCTO..... | 23 |
| 3. INSTALACIÓN | 24 |
| CORRIENTE ALTERNA..... | 25 |
| MONTAJE..... | 25 |
| USO ADECUADO..... | 25 |
| 4. INSTRUCCIONES DE FUNCIONAMIENTO | 26 |
| FUNCIONAMIENTO DEL PANEL DE CONTROL..... | 26 |
| MAPA DE MENÚ..... | 26 |
| CONFIGURACIÓN (DMX)..... | 26 |
| DIRECCIÓN DE INICIO..... | 26 |
| ASIGNACIONES DE CANAL Y VALORES DMX..... | 27 |
| CONFIGURACIÓN (INDEPENDIENTE)..... | 28 |
| MODO AUTOMÁTICO..... | 28 |
| MODO ACTIVO POR SONIDO..... | 28 |
| MEZCLA DE COLOR LED..... | 28 |
| FADING DE COLOR LED..... | 28 |
| MODO MAESTRO/ ESCLAVO..... | 29 |
| ESPECIFICACIONES TÉCNICAS..... | 29 |
| DEVOLUCIONES..... | 30 |

| | |
|--|-----------|
| 1. AVANT DE COMMENCER | 31 |
| CE QUI EST COMPRIS | 31 |
| INSTRUCTIONS RELATIVES AU DEBALLAGE | 31 |
| RECLAMATIONS | 31 |
| CONVENTIONS DE CE MANUEL | 31 |
| SYMBOLES | 31 |
| CONSIGNES DE SECURITE | 32 |
| AVERTISSEMENT BOITIER NON VERROUILLABLE | 32 |
| CONSIGNES DE SECURITE RELATIVES AU LASER..... | 33 |
| REPRODUCTIONS DES ÉTIQUETTES EN MATIERE DE SECURITE DES APPAREILS LASER..... | 34 |
| DONNEES D'ÉMISSION LASER | 35 |
| DECLARATION DE CONFORMITE DU LASER | 35 |
| 2. INTRODUCTION | 36 |
| VUE D'ENSEMBLE DU PRODUIT..... | 36 |
| DIMENSIONS DE L'APPAREIL | 36 |
| 3. CONFIGURATION..... | 37 |
| 4. INSTRUCTIONS DE FONCTIONNEMENT | 39 |
| CONFIGURATION (DMX) | 39 |
| ADRESSE DE DEPART | 39 |
| VALEURS ET ASSIGNATIONS DE CANAUX DMX | 40 |
| CONFIGURATION (AUTONOME)..... | 41 |
| MODE AUTOMATIQUE | 41 |
| MODE MUSICAL..... | 41 |
| MELANGE DE COULEURS LED | 41 |
| FONDU DE COULEUR LED..... | 42 |
| MODE MAITRE/ ESCLAVE | 42 |
| SPECIFICITES TECHNIQUES | 43 |
| RENVOIS | 43 |
| CONTACT Us | 44 |

1. BEFORE YOU BEGIN

What Is Included

- Eclipse™ RGB
- Power Cable
- Warranty Card
- User Manual

Unpacking Instructions

Immediately upon receipt, carefully unpack this product and check the box to make sure you have received all the parts indicated above in good condition.

Claims

If the container or the material inside the container (this product and any other accessory included) appears damaged from shipping, or shows signs of mishandling, notify the carrier immediately, not CHAUVET®, upon receipt of the damaged merchandise. Failure to do so in a timely manner may invalidate your claim with the carrier. In addition, retain the container and all the packing material for inspection.

For other issues such as missing components or parts, damage not related to shipping, or concealed damage, file a claim with CHAUVET® within 7 days of receiving the merchandise.




Manual Conventions

CHAUVET® manuals use the following conventions to differentiate certain types of information from the regular text.

| Convention | Meaning |
|---------------------------|---|
| <Menu> | A key to be pressed on the product's control panel |
| 1~512 | A range of values |
| 50/60 | A set of values of which only one can be chosen |
| Settings | A menu option not to be modified (for example, showing the operating mode/current status) |
| MENU > Settings | A sequence of menu options to be followed |
| ON | A value to be entered or selected |

Symbols

This manual uses the following icons to indicate information that requires special attention on the part of the user.

| Symbols | Meaning |
|---|---|
|  | Critical installation, configuration or operation information. Failure to comply with this information may render the product partially or completely inoperative, cause damage to the product or cause harm to the user. |
|  | Important installation or configuration information. Failure to comply with this information may prevent the product from functioning correctly. |
|  | Useful information. |

Safety Notes



Please read the following notes carefully because they include important safety information about the installation, usage, and maintenance of this product.

- Keep this User Manual for future consultation. If you sell this product to another user, be sure that they also receive this document.
- Always make sure that the voltage of the outlet to which you are connecting this product is within the range stated on the decal or rear panel of the product.
- This product is for indoor use only! To prevent risk of fire or shock, do not expose this product to rain or moisture.
- Make sure there are no flammable materials close to the unit while operating.
- Always install this product in a location with adequate ventilation, at least 20 in (50 cm) from adjacent surfaces. Be sure that no ventilation slots are blocked.
- Always disconnect this product from the power source before cleaning it or replacing fuse.
- Make sure to replace the fuse with another of the same type and rating.
- If mounting it overhead, always secure this product to a fastening device using a safety chain.
- The maximum ambient temperature (Ta) is 104° F (40° C). Do not operate this product at higher temperatures.
- In the event of a serious operating problem, stop using the unit immediately. Never try to repair the unit. Repairs carried out by unskilled people can lead to damage or malfunction. Please contact the nearest authorized technical assistance center.
- Never connect this product to a dimmer pack.
- Make sure the power cord is not crimped or damaged.
- Never disconnect the power cord by pulling or tugging on the cord.
- Never carry a product from the power cord or any moving part. Always use the hanging/mounting bracket or the handles.
- Always avoid direct eye exposure to the light source when this product is on.
- Lasers can be hazardous and have unique safety considerations. Permanent eye injury and blindness is possible if lasers are used incorrectly. Pay close attention to each safety statement in this User Manual. Read all instructions carefully BEFORE operating this device.
- This unit contains high power laser devices internally.
- Do not open the laser housing, due to potential exposure to unsafe levels of laser radiation.
- The laser power levels, accessible if the unit is opened, can cause instant blindness, skin burns, and fires.

Non-Interlocked Housing Warning

Laser Safety Notes



STOP AND READ ALL THE LASER SAFETY NOTES BELOW

Laser Light is different from any other light sources with which you may be familiar. The light from this product can potentially cause eye injury if not set up and used properly. Laser light is thousands of times more concentrated than light from any other kind of light source. This concentration of light can cause instant eye injuries, primarily by burning the retina (the light sensitive portion at the back of the eye). Even if you cannot feel “heat” from a laser beam, it can still potentially injure or blind you or your audience. Even very small amounts of laser light are potentially hazardous even at long distances. Laser eye injuries can happen quicker than you can blink.

It is incorrect to think that because these laser entertainment products split the laser into hundreds of beams that the laser beam is scanned out in high speed, that an individual laser beam is safe for eye exposure. This laser product uses dozens of milliwatts of laser power (Class 3B levels internally) before it splits into multiple beams (Class 3R levels). Many of the individual beams are potentially hazardous to the eyes.

It is also incorrect to assume that because the laser light is moving, it is safe. This is not true. Nor, do the laser beams always move. Since eye injuries can occur instantly, it is critical to prevent the possibility of any direct eye exposure. In the laser safety regulation, it is not legal to aim Class 3R lasers in areas which people can get exposed. This is true even if it is aimed below people's faces, such as on a dance floor.



- Do not operate the laser without first reading and understanding all safety and technical data in this manual.
- Always set up and install all laser effects so that all laser light is at least 3 meters (9.8 ft) above the floor on which people can stand. See “Proper Usage” section later in this manual.
- After set up, and prior to public use, test laser to ensure proper function. Do not use if any defect is detected. Do not use if laser emits only one or two laser beams rather than dozens/hundreds, as this could indicate damage to the diffraction grating optic, and could allow emission of higher laser levels above Class 3R.
- Do not point lasers at people or animals.
- Never look into the laser aperture or laser beams.
- Do not point lasers in areas in which people can potentially get exposed, such as uncontrolled balconies, etc.
- Do not point lasers at highly reflective surfaces, such as windows, mirrors and shiny metal. Even laser reflections can be hazardous.
- Never point a laser at aircraft, this is a federal offense.
- Never point un-terminated laser beams into the sky.
- Do not expose the output optic (aperture) to cleaning chemicals.
- Do not use laser if the laser appears to be emitting only one or two beams.
- Do not use the laser if the housing is damaged, open, or if the optics appear damaged in any way.
- Never open the laser housing. The high laser power levels inside of the protective housing can start fires, burn skin and will cause instant eye injury.
- Never leave this device running unattended.
- The operation of a class 3R laser show is only allowed if the show is controlled by a skilled and well-trained operator, familiar with the data included in this manual.
- The legal requirements for using laser entertainment products vary from country to country. The user is responsible for the legal requirements at the location/country of use.
- Always use appropriate lighting safety cables when hanging lights and effects overhead.

LASER EXPOSURE WARNING



LASER LIGHT AVOID DIRECT EYE EXPOSURE

Further guidelines and safety programs for safe use of lasers can be found in the ANSI Z136.1 Standard “For Safe Use of Lasers,” available from www.laserinstitute.org. Many local governments, corporations, agencies, military, and others, require all lasers to be used under the guidelines of ANSI Z136.1. Laser Display guidance can be obtained via the International Laser Display Association, www.laserist.org.

Laser Emission Data

| | |
|---|-----------------------------|
| Laser Classification | Class 3R |
| Red Laser Medium | LD GaAlAs 650nm, typical |
| Green Laser Medium | DPSS Nd:YVO4, 532nm |
| Beam Diameter | <5mm at aperture |
| Pulse Data | All pulses < 4Hz (>0.25sec) |
| Divergence (each beam) | <2 mrad |
| Divergence (total light) | <160 degrees |
| Laser Power of Each Beam from Aperture* | <5mW |

*As measured under IEC measurement conditions for classification.

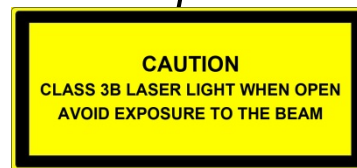
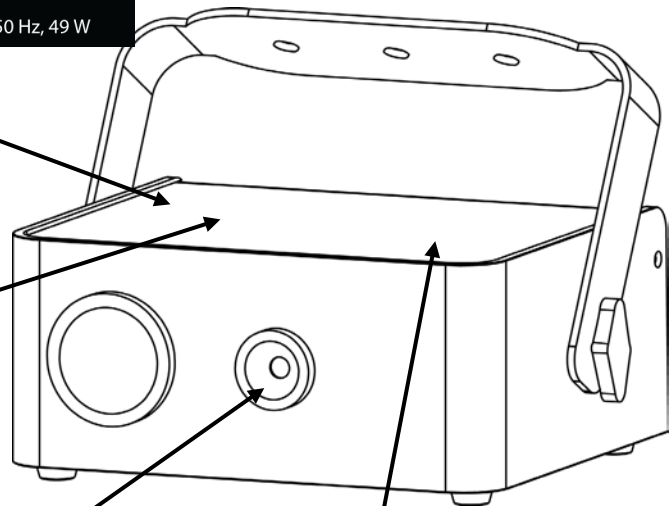
Laser Safety Label Reproduction

| | | |
|---|--|--|
| <p>LASER LIGHT AVOID DIRECT EYE EXPOSURE CLASS 3R LASER PRODUCT <5 mW, 532 nm & 650 nm, 15 mSec - CW</p> <p>CLASSIFIED PER EN/IEC 60825-1:2007</p> | | <p>CHAUVET Lighting 5200 NW 108th Avenue Sunrise, FL 33351</p> |
| <p>Complies with FDA performance standards for laser products except for deviations pursuant to Laser Notice No. 50, dated June 24, 2007.</p> | | |
| <p>CHAUVET <i>Value - Innovation - Performance</i></p> | | <p>Complies with UL 1573 CSA C22.2, No. 166</p> <p>CE</p> <p>RoHS</p> |
| <p>PRODUCT NAME: Eclipse™ RGB ITEM CODE: 10060474 FUSE: T1A 250V LIGHT SOURCE: LASER ORIGIN: MADE IN P.R.C. MANUFACTURING DATE:</p> | <p>THIS APPLIANCE MUST BE GROUNDED USE ONLY FUSE OF SAME TYPE & RATING NOT FOR RESIDENTIAL USE IMPROPRE A L'USAGE DOMESTIQUE FOR INDOOR USE ONLY EMBLACEMENTS SECS DISCONNECT POWER BEFORE SERVICING</p> | |
| <p>USA/ CANADA Power: AC 100~125 V, 60 Hz, 43 W</p> | <p>WORLDWIDE Power: AC 100~240 V, 50 Hz, 49 W</p> | |

EXPLANATORY,
 MANUFACTURER'S ID &
 CERTIFICATION LABEL



LASER APERTURE LABEL



NON-INTERLOCKED
 HOUSING LABEL

Laser Compliance Statement

This laser product complies with EN/IEC 60825-1 Ed 2, 2007-03.

Safety Notes This device was shipped in perfect condition. In order to maintain this condition and to ensure safe operation, follow the safety instructions and warning notes written in this manual. Every person involved with installation and maintenance of this device has to:

- Be qualified.
- Follow the instructions in this manual.



CAUTION! Be careful when operating. DO NOT touch the housing or wires when the product is on to avoid a dangerous electric shock!



Important! CHAUVET® will not accept liability for any resulting damage caused by the non-observance of this manual or any unauthorized modification to the device. Any modifications to the product will void any warranty.

- **This product is not intended for permanent installation.**
- DO NOT mount this product within 50 cm of surrounding walls or large obstacles to allow for ventilation.
- Never let the power-cord come into contact with other cables! Handle the power-cord and all connections with the mains with particular caution!
- Make sure that the available voltage is not higher than stated on the rear panel.
- Make sure that the power-switch is set to off-position before you connect the device to the mains. Make sure the power plug is accessible after mounting the device.
- Make sure that the power-cord is never crimped or damaged by sharp edges. Check the device and the power-cord from time to time.
- Always disconnect from power before cleaning or changing the fuse.
- Never disconnect from power by tugging on the power cord.
- It is essential to connect the yellow/green conductor to a ground (earth).
- DO NOT attempt any repairs. The electric connection, repairs, and servicing must be carried out by a certified technician.
- Do not switch the fixture on and off in short intervals as this will reduce the laser diode life.
- Use fuses of same type and rating only.
- The ambient temperature must be between 10°C to 40°C. Do not operate at temperatures outside this range.
- If the product has been exposed to drastic temperature fluctuations, do not switch it on immediately. The arising water condensation might damage the product. Leave the device switched off until it has reached the ambient temperature.
- Do not shake the device. Avoid brute force when mounting or operating the product.
- When choosing the mounting location, make sure the product is not exposed to extreme heat, moisture, or dust.
- Keep cables clear of vehicles and people. Otherwise you endanger your own and the safety of others!
- ALWAYS use a safety cable attached to the safety eye hook when mounting the product overhead.
- Use the original packaging when transporting.
- **Unauthorized modifications are forbidden for safety reasons!**



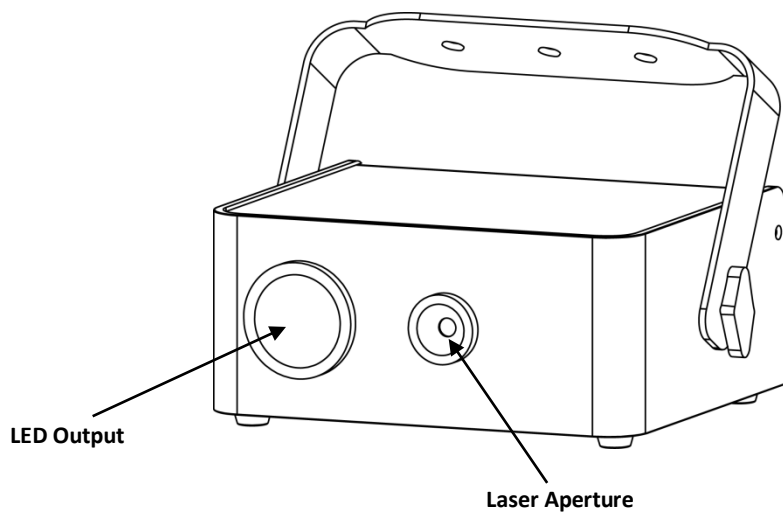
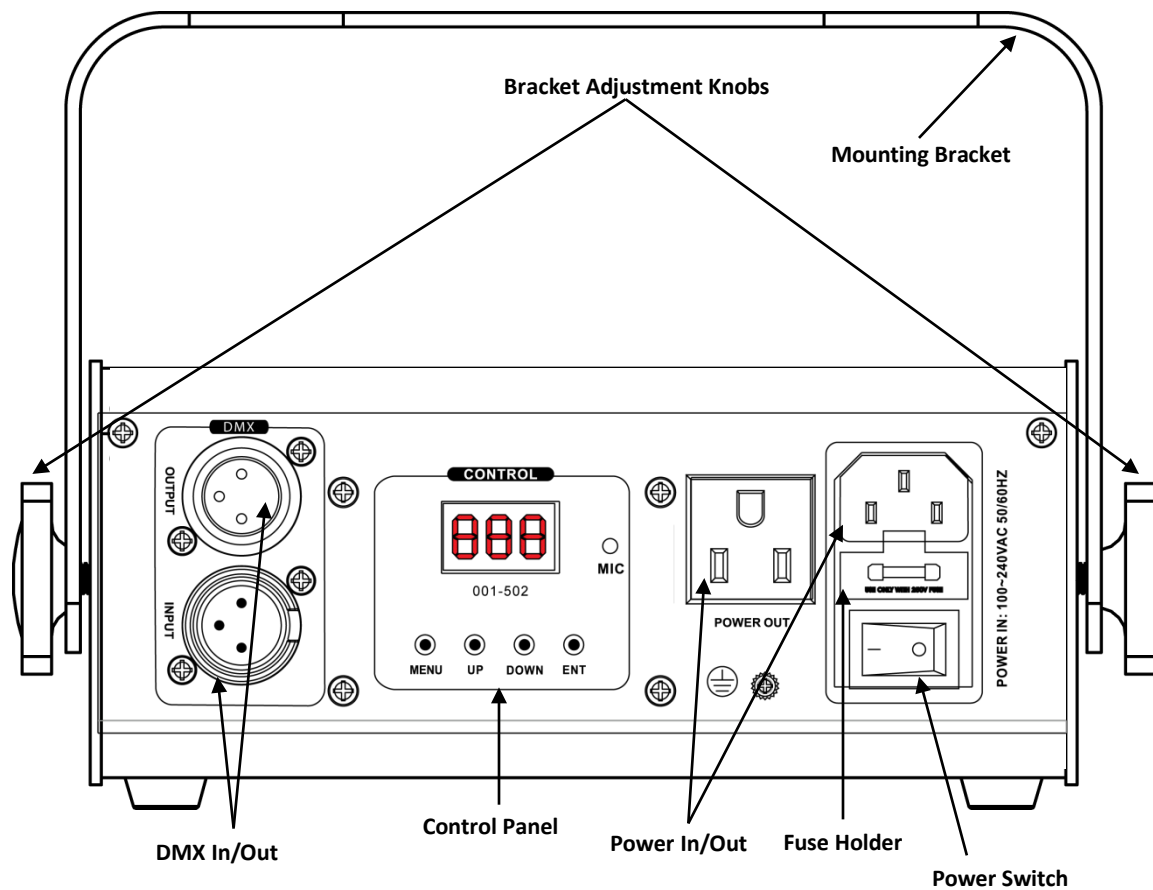
CAUTION! Operate the device only after having familiarized yourself with its functions. Do not permit operation by unqualified persons. Most damages are the result of unprofessional operation.



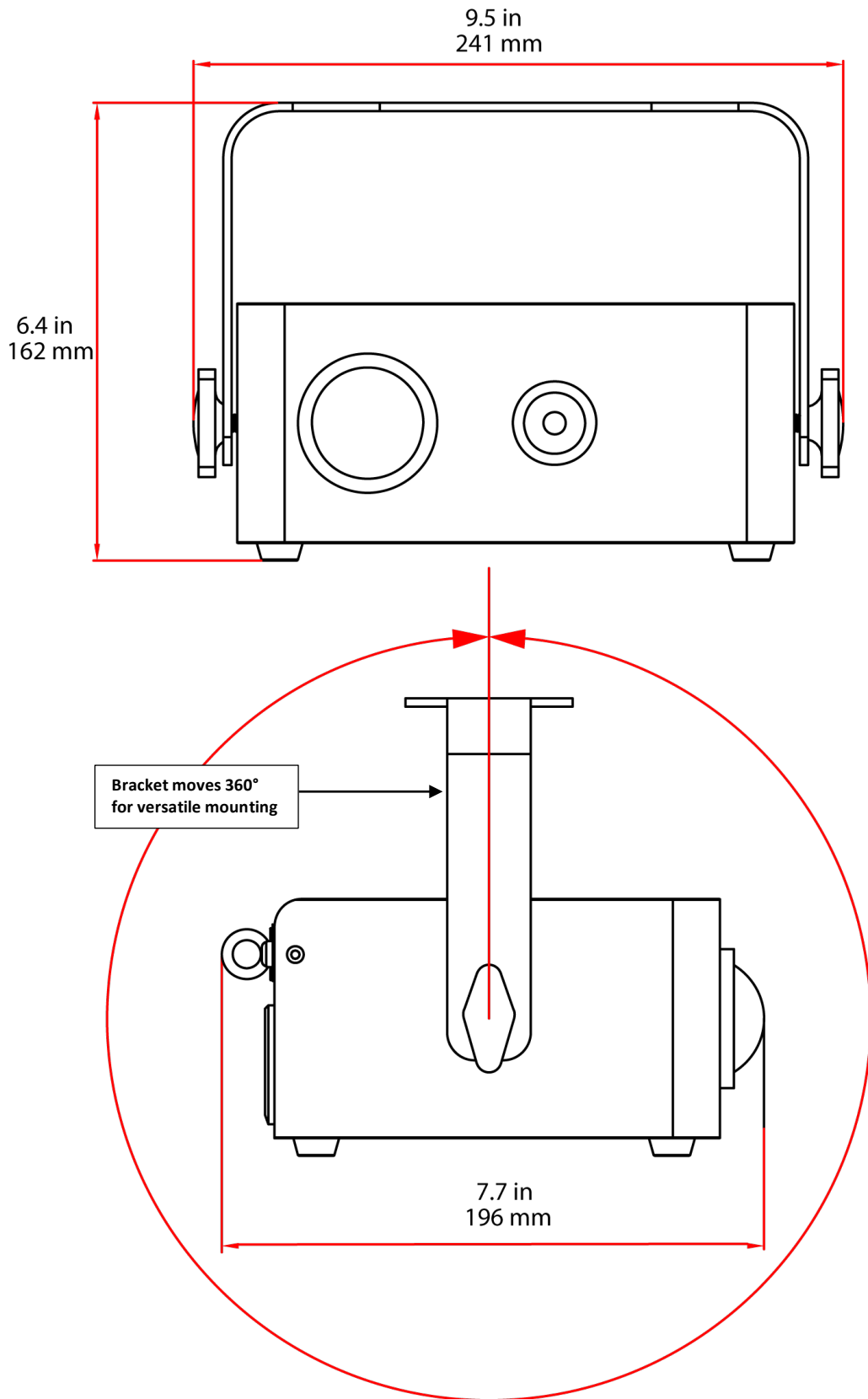
CAUTION! DO NOT operate this device in ways not specified in this User Manual. Failure to follow the guidance in this manual will void the warranty, may damage the product, and injure the user or the audience.

2. INTRODUCTION

Product Overview



Product Dimensions



3. SETUP

AC Power

This product has an auto-ranging power supply that can accommodate a wide range of input voltages. The only thing necessary to do before powering on the unit is to make sure the line voltage you are applying is within the range of accepted voltages. This product will accommodate between 100~240V AC 50/60 Hz. All products must be powered directly off a switched circuit and cannot be run off a rheostat (variable resistor) or dimmer circuit, even if the rheostat or dimmer channel is used solely for a 0 to 100% switch.

Mounting

Orientation

This product may be mounted in any safe position, provided there is adequate room for ventilation.

Rigging

It is important never to obstruct the fan or vents pathway. Mount the product using, a suitable "C" or "O" type clamp. Adjust the angle of the product by loosening both knobs and tilting the product. After finding the desired position, retighten both knobs.

When selecting installation location, take into consideration access and routine maintenance.

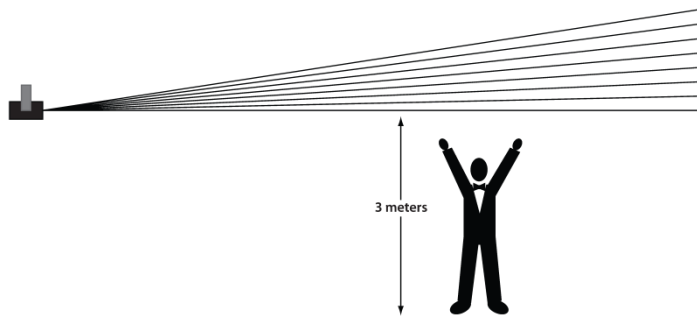
Safety cables must always be used.

Never mount in places where the product will be exposed to rain, high humidity, extreme temperature changes or restricted ventilation.

Proper Use

This product is for overhead mounting only. For safety purposes, CHAUVET® recommends mounting your lighting effect products on steady elevated platforms or sturdy overhead supports using suitable hanging clamps. In all cases, you must use safety cables. You can obtain appropriate mounting hardware from your lighting vendor.

International laser safety regulations require that laser products must be operated in the fashion illustrated below, with a minimum of 3 meters (9.8 ft) of vertical separation between the floor and the lowest laser light vertically. Additionally, 3 meters of horizontal separation is required between laser light and audience or other public spaces.



CAUTION - USE OF CONTROLS OR ADJUSTMENTS OR PERFORMANCE OF PROCEDURES OTHER THAN THOSE SPECIFIED HEREIN MAY RESULT IN HAZARDOUS RADIATION EXPOSURE

4. OPERATING INSTRUCTIONS

Control Panel

To access the control panel functions, use the four buttons located underneath the display. Please refer to the Product Overview to see the button locations on the control panel.

Operation

| Button | Function |
|---------|---|
| <MENU> | Press to find an operation mode or to back out of the current menu option |
| <UP> | Press to scroll up the list of options or to find a higher value |
| <DOWN> | Press to scroll down the list of options or to find a lower value |
| <ENTER> | Press to activate a menu option or a selected value |

Menu Map

| Mode | Programming Steps | | Description |
|--------------------|-------------------|---|--|
| Automatic Programs | AuF | | Automatic Mode, Fast |
| | AuS | | Automatic Mode, Slow |
| | Sou | | Sound Active Mode |
| | rdn | | Random Effect Mode |
| Sound Sensitivity | S 0 | S 0-S 9 | Adjust sound sensitivity for Sound-Active Mode |
| Manual LED Control | LEd | rgb (r 0-r 9) (g 0-g 9) (b 0-b 9) (Sr0-Sr9) | Manually adjust the LED color and strobe rate |
| | | FdE (Sp0-Sp9) | Manually adjust the LED color fade speed |
| DMX Addressing | 001 | 001-509 | Set DMX starting address |
| Slave Mode | SLA | | Sets Slave Mode |

Configuration (DMX)

Set the product in DMX mode to control with a DMX controller.

1. Connect the product to a suitable power outlet.
2. Turn the product on.
3. Connect a DMX cable from the DMX output of the DMX controller to the DMX input socket on the product.

Starting Address

When selecting a starting DMX address, always consider the number of DMX channels the selected DMX mode uses. If you choose a starting address that is too high, you could restrict the access to some of the product's channels.

The Eclipse™ RGB uses up to 12 DMX channels in its 12-channel DMX mode, which defines the highest configurable address to **500**.

If you are not familiar with the DMX protocol, download the DMX Primer from the www.chauvetlighting.com.

To select the starting address, do the following:

1. Press <MENU> repeatedly until **001** shows on the display.
2. Press <ENTER>.
3. Use <UP> or <DOWN> to select the starting address.
4. Press <ENTER>.

DMX Channel Assignments and Values

| 12-CH | Channel | Function | Value | Setting |
|-----------|--------------------------------|-----------|--|---------|
| 1 | Auto Mode | 000 ⇔ 049 | DMX Mode | |
| | | 050 ⇔ 099 | Automatic Slow | |
| | | 100 ⇔ 149 | Automatic Fast | |
| | | 150 ⇔ 199 | Sound Active | |
| | | 200 ⇔ 255 | Random Effect | |
| 2 | Color | 000 ⇔ 004 | Blackout | |
| | | 005 ⇔ 028 | Red | |
| | | 029 ⇔ 056 | Green | |
| | | 057 ⇔ 084 | Red + Green | |
| | | 085 ⇔ 112 | Red off + Green strobe | |
| | | 113 ⇔ 140 | Red strobe + Green off | |
| | | 141 ⇔ 168 | Red on + Green strobe | |
| | | 169 ⇔ 197 | Red strobe + Green on | |
| | | 198 ⇔ 224 | Red + Green strobe | |
| 225 ⇔ 255 | Red + Green alternating strobe | | | |
| 3 | Strobe (laser) | 000 ⇔ 004 | No function | |
| | | 005 ⇔ 249 | Strobe (slow to fast) | |
| | | 250 ⇔ 255 | Strobe (sound active) | |
| 4 | Rotation (laser) | 000 ⇔ 004 | No function | |
| | | 005 ⇔ 127 | Clockwise rotation (slow to fast) | |
| | | 128 ⇔ 133 | No function | |
| | | 134 ⇔ 255 | Counterclockwise rotation (slow to fast) | |
| 5 | Vibration | 000 ⇔ 004 | No function | |
| | | 005 ⇔ 255 | Vibration (slow to fast) | |
| 6 | Flash | 000 ⇔ 004 | No function | |
| | | 005 ⇔ 255 | Flash (slow to fast) | |
| 7 | Red | 000 ⇔ 127 | Red | |
| | | 128 ⇔ 169 | Fade in (0~100%) | |
| | | 170 ⇔ 209 | Fade out (100%~0) | |
| | | 210 ⇔ 255 | Alternating fade (100%~0~100%...) | |
| 8 | Green | 000 ⇔ 127 | Green | |
| | | 128 ⇔ 169 | Fade in (0~100%) | |
| | | 170 ⇔ 209 | Fade out (100%~0%) | |
| | | 210 ⇔ 255 | Alternating fade (100%~0~100%...) | |
| 9 | Blue | 000 ⇔ 127 | Blue | |
| | | 128 ⇔ 169 | Fade in (0~100%) | |
| | | 170 ⇔ 209 | Fade out (100%~0) | |
| | | 210 ⇔ 255 | Alternating fade (100%~0~100%...) | |
| 10 | Dimmer | 000 ⇔ 255 | 0~100% | |
| 11 | Strobe (LED) | 000 ⇔ 004 | No function | |
| | | 005 ⇔ 249 | Strobe (slow to fast) | |
| | | 250 ⇔ 255 | Strobe (sound active) | |
| 12 | Rotation (LED) | 000 ⇔ 004 | No function | |
| | | 005 ⇔ 127 | Clockwise rotation (slow to fast) | |
| | | 128 ⇔ 133 | No function | |
| | | 134 ⇔ 255 | Counterclockwise rotation (slow to fast) | |

Configuration (Standalone)

Set the product in one of the standalone modes to control without a DMX controller.

1. Connect the product to a suitable power outlet.
2. Turn the product on.



Never connect a product that is operating in any standalone mode (either Static, Automatic, or Sound) to a DMX string connected to a DMX controller. Products in standalone mode may transmit DMX signals that could interfere with the DMX signals from the controller.

Automatic Mode

To enable the Automatic modes, do the following:

1. Press **<MENU>** repeatedly until **AuF**, **AuS**, **Sou**, or **rdn** shows on the display.
2. Press **<UP>** or **<DOWN>** to choose **AuF** (for a fast show), **AuS** (for a slow show) or **rdn** (for a random show).
3. Press **<ENTER>**.

Sound-Active Mode

To enable the Sound-Active mode, do the following:

1. Press **<MENU>** repeatedly until **AuF**, **AuS**, **Sou**, or **rdn** shows on the display.
2. Press **<UP>** or **<DOWN>** to choose **Sou**.
3. Press **<ENTER>**.
4. Turn the music on and adjust the microphone sensitivity knob until the product starts responding to the beat of the music.

1. To adjust the sound sensitivity of the Sound Active mode, do the following:

1. Press **<MENU>** repeatedly until **S 0** shows on the display.
2. Press **<UP>** or **<DOWN>** to choose between no sound activation and high sound activation (**S 0-S 9**).
3. Press **<ENTER>**.

LED Color Mixing

You are able to manually mix the colors and strobe rate of the LED portion of the product. To do so, follow the steps below:

1. Press **<MENU>** repeatedly until **LEd**, **rGb**, or **FdE** shows on the display.
2. Press **<UP>** or **<DOWN>** to choose **rGb**.
3. Press **<ENTER>**.
4. Press **<UP>** or **<DOWN>** to adjust between full off and on for red (**r 0-r 9**).
5. Press **<ENTER>**.
6. Press **<UP>** or **<DOWN>** to adjust between full off and on for green (**G 0-G 9**).
7. Press **<ENTER>**.
8. Press **<UP>** or **<DOWN>** to adjust between full off and on for blue (**b 0-b 9**).
9. Press **<ENTER>**.
10. Press **<UP>** or **<DOWN>** to adjust the strobe rate (**Sr0-Sr9**).
11. Press **<ENTER>**.

LED Color Fading

You are able to manually adjust the fade speed of the LED portion of the product. To do so, follow the steps below:

1. Press **<MENU>** repeatedly until **LEd**, **rGb**, or **FdE** shows on the display.
2. Press **<UP>** or **<DOWN>** to choose **FdE**.
3. Press **<ENTER>**.
4. Press **<UP>** or **<DOWN>** to adjust the fade speed between slow and fast (**SP0-SP9**).
5. Press **<ENTER>**.

Master/Slave Mode

The Master/Slave mode allows a single Eclipse™ RGB unit (the “master”) to control the actions of one or more Eclipse™ RGB units (the “slaves”) without the need of a DMX controller. The master unit will be set to operate in either Automatic or Sound Active mode, while the slave units will be set to operate in Slave Mode. Once set and connected, the slave units will operate in unison with the master unit.

Configure the units as indicated below.

Slave units:

1. Press **<MENU>** repeatedly until **SLA** shows on the display.
2. Press **<ENTER>** to accept.
3. Set the DMX address to **001**.
4. Connect the DMX input of the first slave unit to the DMX output of the master unit.
5. Connect the DMX input of the subsequent slave units to the DMX output of the previous slave unit.
6. Finish setting and connecting all the slave units.

Master unit:

1. Set the master unit to operate in either Automatic or Sound mode.
2. Make the master unit the first unit in the DMX daisy chain.



- **Configure all the slave units before connecting the master unit to the DMX daisy chain.**
- **Never connect a DMX controller to a DMX string configured for Master/Slave operation because the controller may interfere with the signals from the master unit.**
- **Do not connect more than 31 slave units to the master unit.**



- **The lasers cannot be turned off. They can be set to a slow strobe.**
- **At higher rotation speeds, the operation noise may increase from the product. This is normal.**

Technical Specifications

WEIGHT & DIMENSIONS

| | |
|-------------|------------------|
| Length..... | 7.7 in (196 mm) |
| Width..... | 9.5 in (241 mm) |
| Height..... | 6.4 in (162 mm) |
| Weight..... | 3.7 lbs (1.7 kg) |

POWER

| | |
|---------------------------------|--|
| Autoswitching power supply..... | 100~240 VAC 50/60 Hz |
| Fuse..... | T 1 A 250 V (slow-blow) |
| Power Consumption..... | 43 W (0.4 A) max @ 120 V |
| Power Consumption..... | 49 W (0.6 A) max @ 230 V |
| Power Output..... | .22 units max @ 120 V, 42 units @ 230V |

LIGHT SOURCE

| | |
|----------|---------------------------------------|
| LED..... | 8 W (700 mA x 3) tri-color 50,000 hrs |
|----------|---------------------------------------|

LASER

| | |
|------------------|---------------|
| Green diode..... | 532 nm/40 mW |
| Red diode..... | 650 nm/100 mW |
| Laser Type..... | DPSS |
| Cooling..... | Fan Cooled |

RANGE

| | |
|---------------------|-----|
| Coverage Angle..... | 70° |
|---------------------|-----|

THERMAL

| | |
|----------------------------------|----------------|
| Maximum ambient temperature..... | 104° F (40° C) |
|----------------------------------|----------------|

ORDERING INFORMATION

| | |
|-------------------|------------|
| Eclipse™ RGB..... | ECLIPSERGB |
|-------------------|------------|

WARRANTY INFORMATION

| | |
|---------------|-------------------------|
| Warranty..... | 2-year limited warranty |
|---------------|-------------------------|



UL 1573
CSA C22.2 No. 166
E113093



Returns

Call the corresponding CHAUVET® Tech Support office and request a Return Merchandise Authorization (RMA) number before shipping the product. Be prepared to provide the model number, serial number, and a brief description of the cause for the return.

You must send the merchandise prepaid, in its original box, and with its original packing and accessories. CHAUVET® will not issue call tags.

Clearly label the package with the RMA number. CHAUVET® will refuse any product returned without an RMA number.



DO NOT write the RMA number directly on the box. Instead, write it on a properly affixed label.

Note: If you are given an RMA #, please include the following information on a piece of paper inside the box:

1. Your name
2. Your address
3. Your phone number
4. The RMA #
5. A brief description of the symptoms

CHAUVET® reserves the right to use its own discretion to repair or replace product(s). FedEx packing or double-boxing are recommended.



If you live outside the U.S., United Kingdom, or Ireland, contact your distributor of record and follow their instructions on how to return CHAUVET® products to them. Visit www.chauvetlighting.com for contact details.

1. ANTES DE EMPEZAR

¿Qué va Incluido?

- Scorpion™ Storm RGB EU
- Cable de alimentación
- Tarjeta de garantía
- Manual de usuario

Reclamaciones

Desembale el producto inmediatamente y compruebe la caja para asegurarse de que todas las piezas están presentes y en buen estado. Si la caja o los contenidos parecen dañados por el transporte, notifíquese al transportista inmediatamente, no a CHAUVET®. Guarde la caja y todo el material de embalaje para su inspección. Para partes que falten o daños no relacionados con el transporte, presente una reclamación a CHAUVET® en el plazo de 7 días de la recepción del producto.

Instrucciones de Desembalaje

Inmediatamente después de recibirlo, desempaquete este producto y compruebe el contenedor para asegurarse de que ha recibido las partes que se indican arriba en buenas condiciones.

Exención de Responsabilidad

Este manual está sujeto a cambio sin previo aviso. CHAUVET® no asume responsabilidad de ningún tipo por cualquier error u omisión y se reserva el derecho a hacer correcciones sin previo aviso. Descargue la última versión de este manual de www.chauvetlighting.com.

© Copyright 2012 CHAUVET® Todos los derechos reservados. Impreso en la R. P. China. Publicación en formato electrónico por CHAUVET® en EE.UU.

Reclamaciones

Si el contenedor o el material dentro del contenedor (este producto y cualquier accesorio incluido) parecen dañados a causa del transporte o muestran signos de manipulación inadecuada, notifíquese inmediatamente al transportista, y no a CHAUVET®, en el momento de recibir la mercancía dañada. Si no lo hace oportunamente, puede quedar invalidada su reclamación al transportista. Además, guarde la caja y todo el material de embalaje para su inspección.

Para otras incidencias, como componentes o piezas que falten, daños no relacionados con el transporte o daños no evidentes, presente una reclamación a CHAUVET® en el plazo de siete (7) días de la recepción de la mercancía.




Convenciones del Manual

Los manuales de CHAUVET® usan las siguientes convenciones para diferenciar ciertos tipos de información del texto normal.

| Convención | Significado |
|----------------------|--|
| <Menu> | Una tecla que se tiene que pulsar en el panel de control del producto |
| 1~512 | Un rango de valores |
| 50/60 | Un conjunto de valores de los cuales solo se puede escoger uno |
| Configuración | Una opción de menú que no se modifica (por ejemplo, mostrar el modo de funcionamiento/estado actual) |
| MENÚ > Configuración | Una secuencia de opciones de menú que ha de seguirse |
| ON | Un valor que se tiene que introducir o seleccionar |

Símbolos

Este manual utiliza los siguientes iconos para indicar qué información requiere especial atención por parte del usuario.

| Símbolo | Significado |
|---|--|
|  | Información crítica sobre instalación, configuración o funcionamiento. Este producto podría no funcionar en parte o totalmente, averiarse o causar daños al usuario si no se sigue esta información. |
|  | Instalación o información de configuración importante. Hacer caso omiso puede provocar que el producto no funcione correctamente. |
|  | Información útil. |

Instrucciones de Seguridad



Las notas siguientes incluyen información importante de seguridad sobre la instalación, uso y mantenimiento de este producto.

- Guarde este Manual de Usuario para futuras consultas. Si vende este producto a otro usuario, asegúrese de que este recibe también el presente documento.
- Asegúrese siempre de que la tensión del enchufe al que conecte este producto está en el rango establecido en el grabado o en el panel posterior del producto.
- ¡Este producto es para uso en interiores solamente! Para evitar riesgos de incendio o descarga, no exponga este producto a la lluvia o la humedad.
- Asegúrese de que no hay materiales inflamables cerca de la unidad cuando esté en funcionamiento.
- Instale siempre este producto en una ubicación con ventilación adecuada, al menos a 20" (50 cm) de superficies adyacentes. Asegúrese de que no se han bloqueado las ranuras de ventilación.
- Desconecte siempre este producto de la fuente de alimentación antes de limpiarlo o cambiar el fusible.
- Asegúrese de sustituir el fusible con otro del mismo tipo y categoría.
- Si lo monta en alto, asegure siempre este producto a un dispositivo de seguridad usando una cadena de seguridad.
- La máxima temperatura ambiente (T_a) es de 104° F (40° C). No haga funcionar este producto a temperaturas más altas.
- En caso de un problema grave de funcionamiento, deje de usar la unidad inmediatamente. Nunca intente reparar la unidad. Las reparaciones llevadas a cabo por personal no cualificado pueden provocar averías o funcionamiento defectuoso. Póngase en contacto con el centro de asistencia técnica autorizado más cercano.
- Nunca conecte este producto a un regulador de intensidad.
- Asegúrese de que el cable de alimentación no está retorcido ni estropeado.
- Nunca desconecte el cable de alimentación agarrando o tirando del cable.
- Nunca arrastre un producto agarrando por el cable de alimentación o por cualquier parte móvil. Use siempre el soporte de montaje/colgar para el manejo.
- Evite siempre la exposición directa de los ojos a la fuente de luz mientras este producto esté encendido.
- Los láseres pueden ser peligrosos y tienen consideraciones de seguridad particulares. Puede producirse lesión ocular permanente y ceguera si los láseres se usan incorrectamente. Ponga máxima atención a todos los COMENTARIOS y ADVERTENCIAS de seguridad de este manual de usuario. Lea atentamente todas las instrucciones ANTES de poner en funcionamiento este dispositivo.



- Evite el contacto directo de los ojos con la luz del láser. Nunca exponga intencionadamente sus ojos o los de otras personas a la luz directa del láser.
- Este producto láser puede causar lesiones oculares al instante, o ceguera, si la luz del láser incide directamente en los ojos.
- Es ilegal y peligroso alumbrar con este láser zonas de espectadores en las que el público u otro personal pueda recibir rayos láser o reflejos de su brillo directamente en los ojos.
- En los EEUU es un delito federal dirigir cualquier láser hacia un avión.
- El uso de controles, ajustes o procedimientos de operación distintos a los especificados aquí pueden causar exposición peligrosa a la radiación.
- No hay piezas reparables por el usuario dentro de la unidad. No abra la carcasa ni intente ninguna reparación por sí mismo. En el caso improbable de que su unidad requiera reparación, póngase en contacto con su distribuidor más cercano.
- Evite el contacto directo de los ojos con la luz del láser. Nunca exponga intencionadamente sus ojos o los de otras personas a la luz directa del láser.

Advertencia Sobre Carcasa no Enclavada

- Esta unidad contiene internamente dispositivos láser de alta potencia.
- No abra la carcasa del láser, debido a la potencial exposición a niveles no seguros de radiación láser.
- Los niveles de láser a los que se tiene acceso si se abre la unidad pueden causar ceguera instantánea, quemaduras en la piel e incendios.

Notas de Seguridad Sobre Láser



DETÉNGASE Y LEA TODAS LAS NOTAS DE SEGURIDAD SOBRE EL LÁSER SIGUIENTES

La luz láser es diferente de cualquier otra fuente de luz que usted conozca. La luz de este producto puede potencialmente causar lesión ocular si el producto no se instala y usa adecuadamente. La luz láser es miles de veces más concentrada que la luz de cualquier otro tipo de fuente. Esta concentración de luz puede causar lesiones instantáneas en el ojo, fundamentalmente por quemadura de la retina (la zona sensible a la luz en la parte posterior del ojo). Aunque usted no pueda sentir el "calor" de un haz de láser, este puede aún potencialmente lesionar o cegarle a usted o al público. Incluso cantidades de luz láser muy pequeñas son potencialmente peligrosas, incluso a largas distancias. Las lesiones oculares por láser pueden ocurrir más rápido de lo que se tarda en parpadear.

No es correcto pensar que porque estos productos recreativos de láser dividen el láser en cientos de haces, o porque el haz de láser se lanza a alta velocidad, es segura la exposición del ojo a cualquier haz individual de láser. Este producto de láser utiliza docenas de milivatios de potencia láser (niveles clase 3B internamente) antes de dividirlo en múltiples haces (niveles clase 3R). Muchos de los haces individuales son potencialmente peligrosos para los ojos.

También es incorrecto asumir que porque la luz láser está en movimiento, es segura. Esto no es cierto. Ni tampoco que los haces de láser se mueven siempre. Puesto que las lesiones oculares pueden producirse instantáneamente, es crítico prevenir la posibilidad de cualquier exposición directa al ojo. En las disposiciones de seguridad láser, no es legal apuntar con láseres Clase 3R hacia áreas en las que las personas puedan quedar expuestas. Esto se aplica incluso si se apunta por debajo de las caras de la gente, por ejemplo hacia la pista de baile.

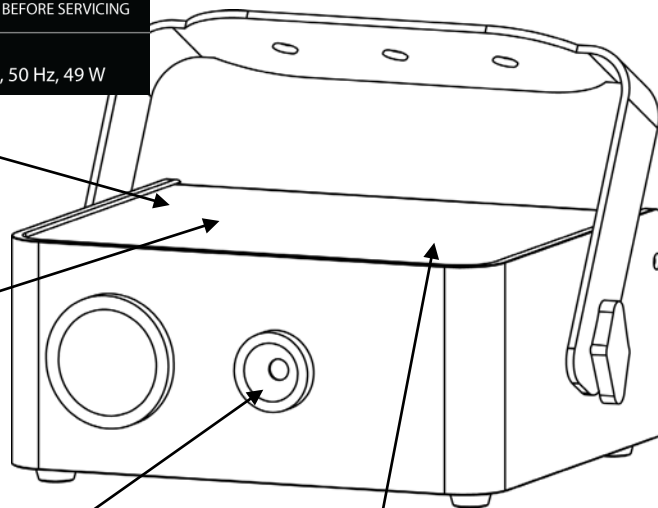


- No ponga en funcionamiento el láser sin primero leer y comprender todos los datos técnicos y de seguridad de este manual.
- Ubique e instale todos los efectos láser siempre de forma que toda la luz láser está al menos a 3 m (9,8 pies) sobre el nivel del suelo en el que se encuentra la gente. Vea el apartado "Uso adecuado" más adelante en este manual.
- Después de la instalación, y antes de su uso público, pruebe el láser para asegurarse de que funciona adecuadamente. No lo use si detecta cualquier defecto. No lo use si el láser emite solo uno o dos haces de láser en lugar de docenas o centenares, pues esto podría indicar una avería en la óptica de la rejilla de difracción, y podría permitir la emisión de niveles de láser por encima de la clase 3R.
- No apunte con láser a personas o animales.
- Nunca mire a la apertura del láser o a los haces de láser.
- No apunte con el láser hacia áreas en las que las personas pudieran quedar expuestas, como balcones sin vigilancia, etc.
- No apunte con láseres a superficies muy reflectantes como ventanas, espejos y metal pulido. Incluso los reflejos del láser pueden ser peligrosos.
- Nunca apunte con el láser a un avión, pues constituye un delito federal.
- Nunca apunte hacia el cielo con haces láser sueltos.
- No exponga la óptica de salida (apertura) a productos de limpieza químicos.
- No utilice el láser si parece estar emitiendo solo uno o dos haces.
- No use el láser si la carcasa está averiada o abierta, o si la óptica parece dañada de cualquier modo.
- Nunca abra la carcasa del láser. Los altos niveles de potencia láser dentro de la carcasa protectora pueden originar incendios, quemaduras en la piel y causar lesiones oculares al instante.
- Nunca deje este dispositivo en funcionamiento sin vigilancia.
- El funcionamiento de un láser de espectáculo de Clase 3R solo se permite si el espectáculo es controlado por un operador experimentado y bien formado, familiarizado con los datos contenidos en este manual.
- Los requisitos legales para usar productos de láser recreativo varían de un país a otro. El usuario es responsable de los requisitos legales del lugar/país en que lo utilice.
- Use siempre los cables de seguridad apropiados cuando cuelgue estas luces y efectos sobre las cabezas.

Reproducción de la Etiqueta de Seguridad del Láser

| | | |
|---|--|--|
| <p>LASER LIGHT AVOID DIRECT EYE EXPOSURE CLASS 3R LASER PRODUCT <5 mW, 532 nm & 650 nm, 15 mSec - CW</p> <p>CLASSIFIED PER EN/IEC 60825-1:2007</p> | | <p>CHAUVET Lighting 5200 NW 108th Avenue Sunrise, FL 33351</p> |
| <p>Complies with FDA performance standards for laser products except for deviations pursuant to Laser Notice No. 50, dated June 24, 2007.</p> | | |
|   <p>Complies with UL 1573 CSA C22.2, No. 166</p>   | | |
| <p>PRODUCT NAME: Eclipse™ RGB ITEM CODE: 10060474 FUSE: T1A 250V LIGHT SOURCE: LASER ORIGIN: MADE IN P.R.C. MANUFACTURING DATE:</p> | <p>THIS APPLIANCE MUST BE GROUNDED USE ONLY FUSE OF SAME TYPE & RATING NOT FOR RESIDENTIAL USE IMPROPRE A L'USAGE DOMESTIQUE FOR INDOOR USE ONLY EMPLACEMENTS SECS DISCONNECT POWER BEFORE SERVICING</p> | |
| <p>USA/ CANADA Power: AC 100~125 V, 60 Hz, 43 W</p> | <p>WORLDWIDE Power: AC 100~240 V, 50 Hz, 49 W</p> | |

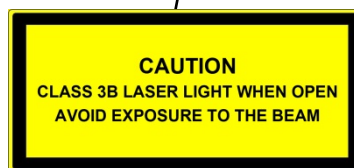
ETIQUETA EXPLICATIVA,
 IDENTIFICACIÓN DEL
 FABRICANTE Y
 CERTIFICACIÓN



ETIQUETA DE
 ADVERTENCIA PELIGRO
 LÁSER



ETIQUETA APERTURA
 LÁSER



ETIQUETA CARCASA NO
 ENCLAVADA



ADVERTENCIA SOBRE EXPOSICIÓN AL LÁSER



Luz láser - ¡Evite el contacto directo con los ojos!

Se pueden encontrar más directrices y programas de seguridad para el uso seguro de láseres en la Normativa ANSI Z136.1 "Para uso seguro de Láseres," disponible en el Laser Institute of America: www.laserinstitute.org. Muchos gobiernos locales, corporaciones, agencias, ejército y otros requieren que todos los láseres se usen bajo las directrices de ANSI Z136.1. La guía Laser Display puede obtenerse de la International Laser Display Association, www.laserist.org.

Datos de Emisión Láser

| | |
|--|---------------------------------|
| Clasificación láser | Clase 3R |
| Láser Rojo Medio | LD GaAlAs 650nm, típico |
| Láser Verde Medio | DPSS Nd:YVO4, 532nm |
| Diámetro del haz | <5mm en la apertura |
| Datos de pulso | Todos los pulsos < 4Hz (>0,25s) |
| Divergencia (cada haz) | <2 mrad |
| Divergencia (luz total) | <160 grados |
| Potencia láser de cada haz en la apertura* | <5mW |

*Según medida bajo condiciones de medición IEC para clasificación.

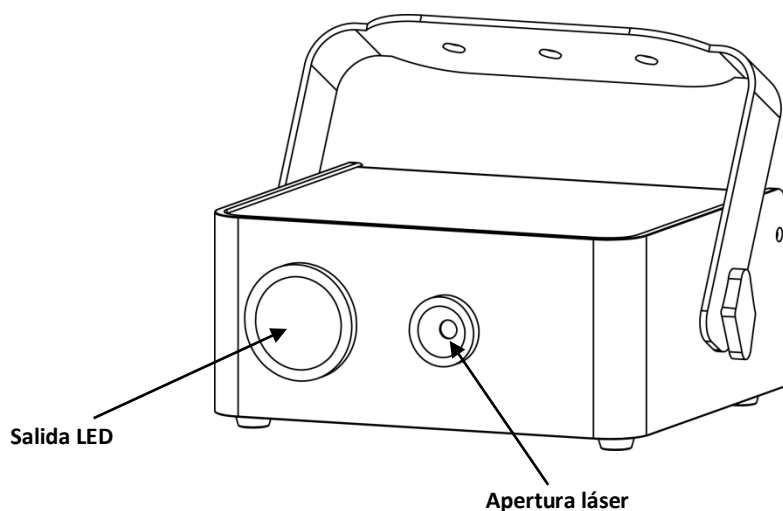
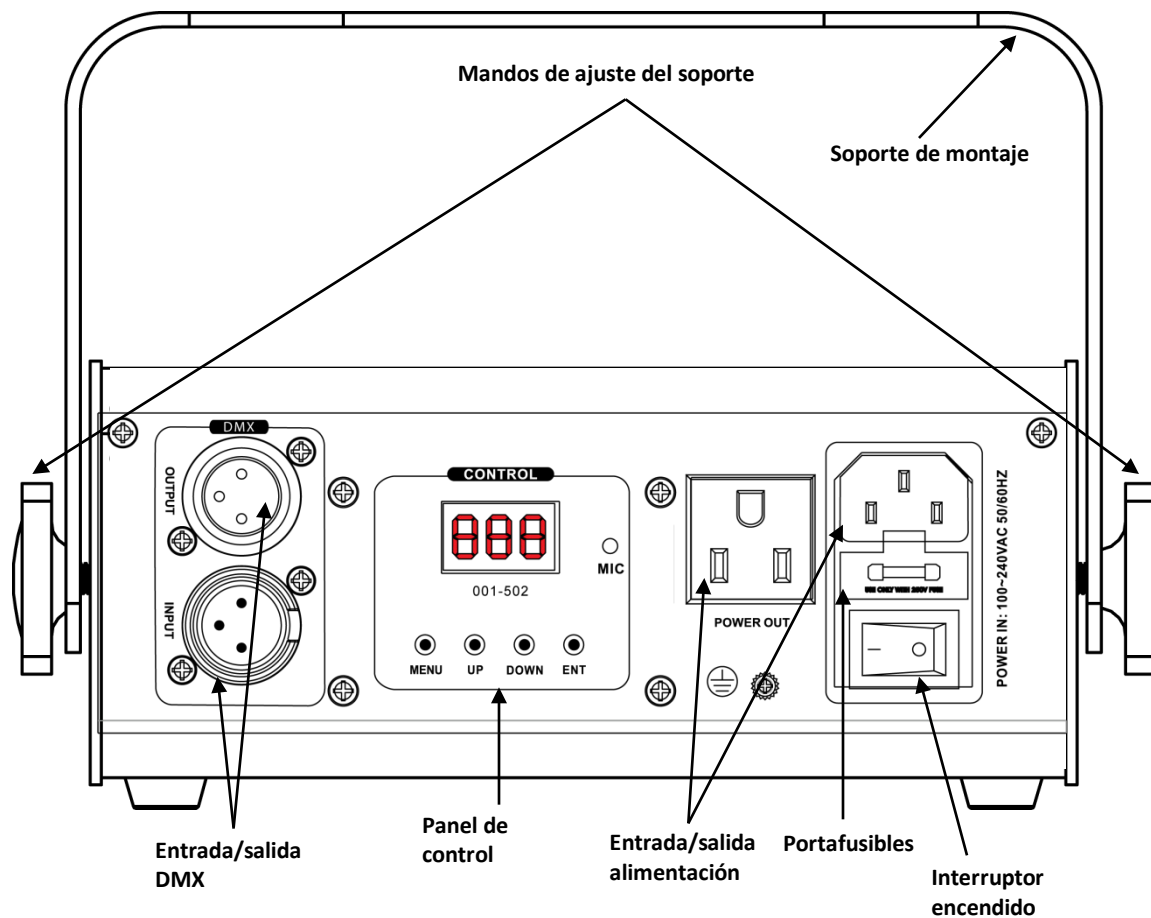
Declaración de Conformidad Láser



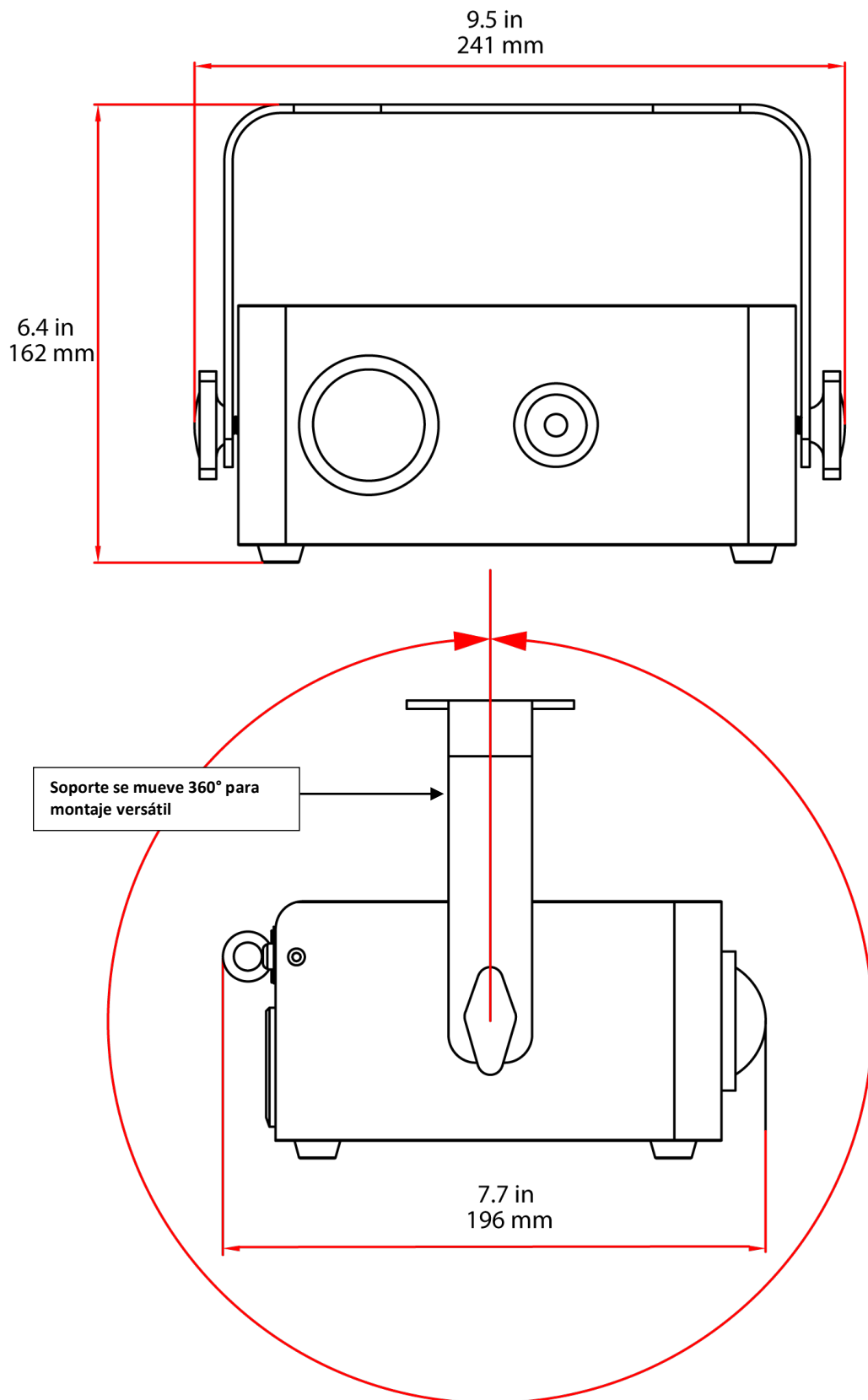
Este producto láser cumple las directivas EN/IEC 60825-1 Ed 2, 2007-03, y US FDA/CDRH FLPPS mediante las condiciones de Laser Notice No. 50 de fecha 24 de junio de 2007. Este dispositivo láser está clasificado como 3R. (La clase 3R es el equivalente internacional a la clase IIIa de EEUU). No es necesario ningún mantenimiento para que este producto siga cumpliendo los estándares de rendimiento láser.

2. INTRODUCCIÓN

Visión General del Producto



Dimensiones del Producto



3. INSTALACIÓN

Corriente Alternada

Este producto incluye una fuente de alimentación externa con detección automática que funciona con alimentación 100~240 VCA, 50/60 Hz. ¡Utilice solo la fuente de alimentación incluida! Para obtener una fuente de alimentación de sustitución, contacte con Chauvet®. Para determinar las necesidades de alimentación para un producto en concreto, vea la etiqueta pegada a la placa posterior del producto o consulte la tabla de especificaciones del producto. La especificación de corriente de un producto listada indica su consumo de corriente promedio en condiciones normales.



Montaje

Conecte siempre el producto a un circuito conmutado. Nunca conecte el producto a un reostato (resistor variable) o circuito de atenuación, incluso si el canal del reostato o atenuador sirve solo como conmutador 0 a 100%.

Orientación

Este producto puede montarse en cualquier posición segura, mientras haya espacio adecuado para la ventilación.

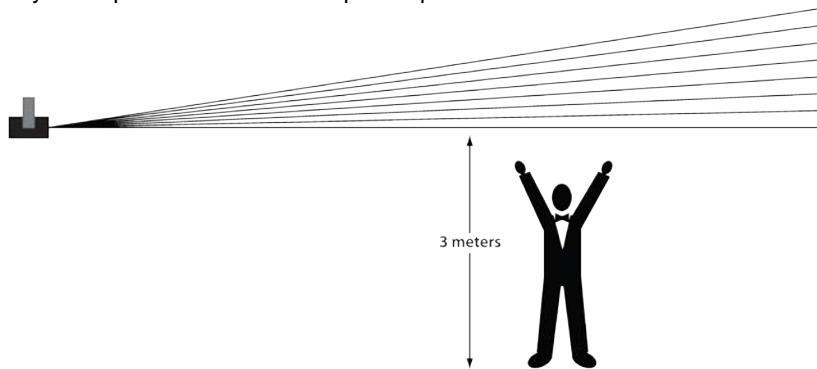
Es importante no obstruir nunca el camino del ventilador o las ranuras de aireación. Monte el producto utilizando un soporte adecuado, tipo gancho C o abrazadera de montaje. Ajuste el ángulo del producto aflojando los dos mandos e inclinando el producto. Después de encontrar la posición deseada, vuelva a apretar los dos mandos.

Colocación

- Al seleccionar la ubicación de instalación, tenga en cuenta el acceso y el mantenimiento de rutina.
- Siempre se tienen que utilizar cables de seguridad.
- Nunca monte el producto en lugares en los que estará expuesto a la lluvia, humedad elevada, cambios extremos de temperatura o ventilación limitada.

Uso Adecuado

Este producto es para montaje en alto solamente. Por seguridad, CHAUVET® recomienda montar sus productos de efectos de iluminación sobre plataformas estables y elevadas, o en soportes en alto sólidos utilizando abrazaderas apropiadas para colgar. En todos los casos, debe utilizar cables de seguridad. Puede obtener material de fijación apropiado en su proveedor de iluminación. Las disposiciones internacionales de seguridad láser precisan que los productos de láser se manejen de la forma mostrada a continuación, con una separación vertical mínima de 3 metros (9,8 pies) entre el suelo y la luz láser más baja. Además, se requiere una separación horizontal de 3 metros entre la luz láser y los espectadores u otros espacios públicos.



CUIDADO– EL USO DE CONTROLES, AJUSTES O PROCEDIMIENTOS DE OPERACION DISTINTOS A LOS ESPECIFICADOS AQUI PUEDEN CAUSAR EXPOSICION PELIGROSA A LA RADIACION.

4. INSTRUCCIONES DE FUNCIONAMIENTO

Funcionamiento del Panel de Control Para acceder a las funciones del panel de control, use los cuatro botones ubicados bajo la pantalla. Consulte la Visión General del producto para ver la posición de los botones en el panel de control.

| Botón | Función |
|---------|---|
| <MENU> | Pulse para encontrar un modo de funcionamiento o para volver a la opción de menú actual |
| <UP> | Pulse para desplazarse hacia arriba por la lista de opciones o para encontrar un valor más alto |
| <DOWN> | Pulse para desplazarse hacia abajo por la lista de opciones o para encontrar un valor menor |
| <ENTER> | Pulse para activar una opción de menú o un valor seleccionado |

Mapa de Menú

| Modo | Pasos de programación | | Descripción |
|-------------------------------|-----------------------|---|--|
| Programas Automáticos | AuF | | Modo Automático, Rápido |
| | AuS | | Modo Automático, Lento |
| | Sou | | Modo Activo por Sonido |
| | rdn | | Modo Efecto Aleatorio |
| Sensibilidad al Sonido | S 0 | S 0-S 9 | Ajustar sensibilidad al sonido en Modo Activo por Sonido |
| Control Manual LED | LEd | rgb (r 0-r 9) (g 0-g 9) (b 0-b 9) (Sr0-Sr9) | Ajustar manualmente el color del LED y la frecuencia del estroboscopio |
| | | FdE (Sp0-Sp9) | Ajustar manualmente la velocidad de fade del color del LED |
| Asignación de direcciones DMX | 001 | 001-509 | Configurar la dirección inicial DMX |
| Modo Esclavo | SLA | | Configura el Modo Esclavo |

Configuración (DMX)

Configure el producto en modo DMX para controlarlo con un controlador DMX.

1. Conecte el producto a una toma de corriente adecuada.
2. Encienda el producto.
3. Conecte un cable DMX de la salida DMX del controlador DMX al conector de entrada DMX del producto.

Dirección de Inicio

Cuando seleccione una dirección DMX de inicio, tenga en cuenta siempre el número de canales DMX que usa el modo seleccionado. Si escoge una dirección de inicio que es demasiado alta, podría estar restringiendo el acceso a alguno de los canales del producto. El Eclipse™ RGB usa hasta 12 canales DMX en su modo DMX de 12 canales, lo cual establece la dirección **500** como la más alta que se puede configurar.

Si no está familiarizado con el protocolo DMX, descargue el Manual DMX de www.chauvetlighting.com.

Para seleccionar la dirección de inicio, haga lo siguiente:

1. Pulse <MENU> repetidamente hasta que aparezca **001** en la pantalla.
2. Pulse <ENTER>.
3. Utilice <UP> o <DOWN> para seleccionar la dirección de inicio.
4. Pulse <ENTER>.

Asignaciones de Canal y Valores DMX

| 12-C | Canal | Función | Valor | Configuración |
|-----------|------------------------------------|-----------|--|---------------|
| 1 | Modo Automático | 000 ⇔ 049 | Modo DMX | |
| | | 050 ⇔ 099 | Automático Lento | |
| | | 100 ⇔ 149 | Automático Rápido | |
| | | 150 ⇔ 199 | Activo por Sonido | |
| | | 200 ⇔ 255 | Efecto Aleatorio | |
| 2 | Color | 000 ⇔ 004 | Blackout | |
| | | 005 ⇔ 028 | Rojo | |
| | | 029 ⇔ 056 | Verde | |
| | | 057 ⇔ 084 | Rojo + Verde | |
| | | 085 ⇔ 112 | Rojo apagado + Estroboscopio verde | |
| | | 113 ⇔ 140 | Estroboscopio rojo + Verde apagado | |
| | | 141 ⇔ 168 | Rojo encendido + Estroboscopio verde | |
| | | 169 ⇔ 197 | Estroboscopio rojo + Verde encendido | |
| | | 198 ⇔ 224 | Estroboscopio Rojo + Verde | |
| 225 ⇔ 255 | Estroboscopio alterno Rojo + Verde | | | |
| 3 | Estroboscopio (láser) | 000 ⇔ 004 | Sin función | |
| | | 005 ⇔ 249 | Estroboscopio (lento a rápido) | |
| | | 250 ⇔ 255 | Estroboscopio (activo por sonido) | |
| 4 | Rotación (láser) | 000 ⇔ 004 | Sin función | |
| | | 005 ⇔ 127 | Rotación en el sentido de las agujas del reloj (lento a rápido) | |
| | | 128 ⇔ 133 | Sin función | |
| | | 134 ⇔ 255 | Rotación en el sentido contrario a las agujas del reloj (lento a rápido) | |
| 5 | Vibración | 000 ⇔ 004 | Sin función | |
| | | 005 ⇔ 255 | Vibración (lento a rápido) | |
| 6 | Flash | 000 ⇔ 004 | Sin función | |
| | | 005 ⇔ 255 | Flash (lento a rápido) | |
| 7 | Rojo | 000 ⇔ 127 | Rojo | |
| | | 128 ⇔ 169 | Fade in (0~100%) | |
| | | 170 ⇔ 209 | Fade out (100%~0) | |
| | | 210 ⇔ 255 | Fade alterno (100%~0~100%...) | |
| 8 | Verde | 000 ⇔ 127 | Verde | |
| | | 128 ⇔ 169 | Fade in (0~100%) | |
| | | 170 ⇔ 209 | Fade out (100%~0) | |
| | | 210 ⇔ 255 | Fade alterno (100%~0~100%...) | |
| 9 | Azul | 000 ⇔ 127 | Azul | |
| | | 128 ⇔ 169 | Fade in (0~100%) | |
| | | 170 ⇔ 209 | Fade out (100%~0) | |
| | | 210 ⇔ 255 | Fade alterno (100%~0~100%...) | |
| 10 | Atenuador | 000 ⇔ 255 | 0~100% | |
| 11 | Estroboscopio (LED) | 000 ⇔ 004 | Sin función | |
| | | 005 ⇔ 249 | Estroboscopio (lento a rápido) | |
| | | 250 ⇔ 255 | Estroboscopio (activo por sonido) | |
| 12 | Rotación (LED) | 000 ⇔ 004 | Sin función | |
| | | 005 ⇔ 127 | Rotación en el sentido de las agujas del reloj (lento a rápido) | |
| | | 128 ⇔ 133 | Sin función | |
| | | 134 ⇔ 255 | Rotación en el sentido contrario a las agujas del reloj (lento a rápido) | |

Configuración (Independiente)

Configure el producto en uno de los modos independientes para controlarlo sin controlador DMX.

1. Conecte el producto a una toma de corriente adecuada.
2. Encienda el producto.



Nunca conecte un producto que está funcionando en cualquier modo independiente (sea Estático, Automático o por Sonido) a una línea DMX conectada a un controlador DMX. Los productos en modo independiente pueden transmitir señales DMX que podrían interferir con las señales DMX del controlador.

Modo Automático

Para habilitar los modos automáticos, haga lo siguiente:

1. Pulse <MENU> repetidamente hasta que aparezca **AuF**, **AuS**, **Sou** o **rdn** en la pantalla.
2. Pulse <UP> o <DOWN> para escoger **AuF** (para un espectáculo rápido), **AuS** (para un espectáculo lento) o **rdn** (para un espectáculo aleatorio).
3. Pulse <ENTER>.

Modo Activo por Sonido

Para seleccionar el modo Activo por Sonido, haga lo siguiente:

1. Pulse <MENU> repetidamente hasta que aparezca **AuF**, **AuS**, **Sou** o **rdn** en la pantalla.
2. Pulse <UP> o <DOWN> para escoger **Sou**.
3. Pulse <ENTER>.
4. Encienda la música y ajuste el mando de sensibilidad del micrófono hasta que el producto empiece a responder al ritmo de la música.

Para ajustar la sensibilidad al sonido del modo Activo por Sonido, haga lo siguiente:

1. Pulse <MENU> repetidamente hasta que aparezca **S 0** en la pantalla.
2. Pulse <UP> o <DOWN> para escoger una activación por sonido de inexistente a elevada (**S 0-S 9**).
3. Pulse <ENTER>.

Mezcla de Color LED

Usted puede mezclar manualmente los colores y la frecuencia de estroboscopio de la parte LED del producto. Para hacerlo, siga los pasos siguientes:

1. Pulse <MENU> repetidamente hasta que aparezca **LEd**, **rGb** o **FdE** en la pantalla.
2. Pulse <UP> o <DOWN> para escoger **rGb**.
3. Pulse <ENTER>.
4. Pulse <UP> o <DOWN> para ajustar el rojo de completamente apagado a completamente encendido (**r 0-r 9**).
5. Pulse <ENTER>.
6. Pulse <UP> o <DOWN> para ajustar el verde de completamente apagado a completamente encendido (**G 0-G 9**).
7. Pulse <ENTER>.
8. Pulse <UP> o <DOWN> para ajustar el azul de completamente apagado a completamente encendido (**b 0-b 9**).
9. Pulse <ENTER>.
10. Pulse <UP> o <DOWN> para ajustar la frecuencia del estroboscopio (**Sr0-Sr9**).
11. Pulse <ENTER>.

Fading de Color LED

Usted puede ajustar manualmente la velocidad de fade de la parte LED del producto. Para hacerlo, siga los pasos siguientes:

1. Pulse <MENU> repetidamente hasta que aparezca **LEd**, **rGb** o **FdE** en la pantalla.
2. Pulse <UP> o <DOWN> para escoger **FdE**.
3. Pulse <ENTER>.
4. Pulse <UP> o <DOWN> para ajustar la velocidad de fade de lenta a rápida (**SP0-SP9**).
5. Pulse <ENTER>.

Modo Maestro/Esclavo

El modo Maestro/Esclavo permite que una sola unidad Eclipse™ RGB (el "maestro") controle las acciones de una o más unidades Eclipse™ RGB (los "esclavos") sin necesidad de un controlador DMX. La unidad maestro se configurará para funcionar bien en modo Automático bien en modo Activo por Sonido, mientras que las unidades esclavo se configurarán para funcionar en Modo Esclavo. Una vez configuradas y conectadas, las unidades esclavo funcionarán al unísono con la unidad maestro. Configure las unidades como se indica a continuación.

Unidades esclavo:

1. Pulse <MENU> repetidamente hasta que aparezca **SLA** en la pantalla.
2. Pulse <ENTER> para aceptar.
3. Configure la dirección DMX en **001**.
4. Conecte la entrada DMX de la primera unidad esclavo a la salida DMX de la unidad maestro.
5. Conecte la entrada DMX de las siguientes unidades esclavo a la salida DMX de la unidad esclavo precedente.
6. Termine de configurar y conectar todas las unidades esclavo.

Unidad maestro:

1. Configure la unidad maestro para funcionar en modo Automático o por Sonido.
2. Ponga la unidad maestro como la primera unidad de la cascada DMX.
 - **Configure todas la unidades esclavo antes de conectar la unidad maestro a la cascada DMX.**
 - **Nunca conecte un controlador DMX a una línea DMX configurada para funcionamiento Maestro/Esclavo, porque el controlador puede interferir con las señales de la unidad maestro.**
 - **No conecte más de 31 unidades esclavo a la unidad maestro.**
 - **Los láseres no pueden apagarse. Se pueden configurar como estroboscopio lento.**
 - **Con velocidades de rotación superiores, puede aumentar el ruido de funcionamiento del producto. Esto es normal.**



Especificaciones Técnicas

PESO Y DIMENSIONES

| | |
|---------------|------------------|
| Longitud..... | 7,7" (196 mm) |
| Ancho..... | 9,5" (241 mm) |
| Alto..... | 6,4" (162 mm) |
| Peso..... | 3,7 lbs (1,7 kg) |

POTENCIA

| | |
|--|--|
| Fuente de alimentación autoconmutable..... | 100~240 VCA 50/60 Hz |
| Fusible..... | T 1 A 250 V (lento) |
| Consumo de Energía..... | 43 W (0,4 A) máx. @ 120 V |
| Consumo de Energía..... | 49 W (0,6 A) máx. @ 230 V |
| Salida de alimentación..... | 22 unidades máx. @ 120 V, 42 unidades @ 230V |

FUENTE DE LUZ

| | |
|----------|--|
| LED..... | 8 W (700 mA x 3) tricolor 50,000 horas |
|----------|--|

LÁSER

| | |
|--------------------|------------------------------|
| Diodo verde..... | 532 nm/40 mW |
| Diodo rojo..... | 650 nm/100 mW |
| Tipo de Láser..... | DPSS |
| Refrigeración..... | Refrigeración por Ventilador |

RANGO

| | |
|--------------------------|-----|
| Ángulo de cobertura..... | 70° |
|--------------------------|-----|

TERMICA

| | |
|----------------------------------|----------------|
| Máxima temperatura ambiente..... | 104° F (40° C) |
|----------------------------------|----------------|

INFORMACION DE PEDIDOS

| | |
|-------------------|------------|
| Eclipse™ RGB..... | ECLIPSERGB |
|-------------------|------------|

INFORMACIÓN DE GARANTÍA

| | |
|---------------|-----------------------------|
| Garantía..... | Garantía Limitada de 2 Años |
|---------------|-----------------------------|

Devoluciones

Llame a la oficina de Asistencia Técnica CHAUVET® correspondiente y pida un número de Autorización de Devolución de la mercancía (RMA) antes de enviar el producto. Está preparado para proporcionar el número de modelo, número de serie y una breve descripción de la causa de la devolución.

Debe enviar la mercancía a portes pagados, en su caja original y con su embalaje y accesorios originales. CHAUVET® no expedirá etiquetas de devolución.

Etiquete el paquete claramente con el número de RMA. CHAUVET® rechazará cualquier producto devuelto sin un número de RMA.



NO escriba el número de RMA directamente sobre la caja. En vez de ello, escríbalo en una etiqueta convenientemente adherida.

Nota: Si ha recibido un número de RMA, por favor incluya la siguiente información en una hoja de papel dentro de la caja:

1. Su nombre
2. Su dirección
3. Su número de teléfono
4. El número de RMA
5. Una breve descripción de los síntomas

CHAUVET® se reserva el derecho de usar su propio criterio para reparar o reemplazar el(los) producto(s). Se recomienda embalaje FedEx o doble caja.



Si vive fuera de los EE.UU., Reino Unido o Irlanda, póngase en contacto con su distribuidor de registro y siga sus instrucciones sobre cómo devolverle los productos CHAUVET®. Visite www.chauvetlighting.com para detalles de contacto.

1. AVANT DE COMMENCER

Ce qui est Compris Instructions Relatives au Déballage Réclamations

- Un Eclipse™ RGB
- Une source d'alimentation
- Une fiche de garantie
- Un manuel d'utilisation

Dès réception, déballer l'appareil avec soins et vérifiez le contenu afin de vous assurer que rien ne vous manque et que tout est en bon état.

Si l'emballage ou son contenu (aussi bien l'appareil que tout autre accessoire livré) semble avoir été endommagé pendant le transport, ou s'il présente des signes de manipulation sans précaution, veuillez dès réception en notifier immédiatement le transporteur et non CHAUVET®. Ne pas enregistrer votre réclamation auprès du transporteur en temps et en heure peut entraîner une non validation de celle-ci. De plus, gardez l'emballage et tous les matériaux d'emballage pour inspection.

Pour tout autre problème comme la non livraison de pièces ou composants, des dommages non en rapport avec la livraison ou des vices cachés, veuillez déposer votre réclamation auprès de CHAUVET® dans les sept (7) jours après réception de la marchandise.




Conventions de ce Manuel

Les manuels de CHAUVET® utilisent les conventions suivantes afin de différencier certains types d'informations du texte en général.

| Convention | Signification |
|-----------------|--|
| <Menu> | Un bouton sur lequel appuyer sur le panneau de commande de l'appareil |
| 1 à 512 | Une plage de valeurs |
| 50/60 | Un ensemble de valeurs parmi lequel on ne peut en choisir qu'une |
| Settings | Une option de menu à ne pas modifier (par exemple montrant le statut actuel/le mode de fonctionnement) |
| MENU > Settings | Une séquence d'options de menu à suivre |
| ON | Une valeur à saisir ou à sélectionner |

Symboles

Ce manuel utilise les icônes suivants afin de mettre en valeur les informations importantes auquel l'utilisateur doit porter une attention particulière.

| Symbole | Signification |
|---|--|
|  | Consignes importantes en matière d'installation, de configuration et de fonctionnement. Le non-respect de ces consignes peut entraîner le non fonctionnement de l'appareil, en partialité ou en totalité, ou lui causer des dommages. De même, l'utilisateur pourrait s'en trouver affecter. |
|  | Consignes importantes en matière d'installation ou de configuration. Le non-respect de ces consignes peut entraîner le non fonctionnement de l'appareil. |
|  | Informations utiles. |

Consignes de Sécurité



Les consignes concernant la sécurité reprennent d'importantes informations en matière d'installation, d'utilisation et de maintenance de l'appareil.

- Conservez ce manuel d'utilisation pour référence future. Si vous étiez amené à vendre cet appareil à un autre utilisateur, veuillez à leur remettre ce document également.
- Veillez toujours à ce que la tension de la prise à laquelle vous branchez l'appareil soit comprise dans la plage indiquée sur l'étiquette ou l'arrière de l'appareil.
- Cet appareil doit être utilisé en intérieur uniquement ! Afin d'éviter tout risque d'incendie ou de décharge électrique, veillez à n'exposer cet appareil ni à la pluie ni à l'humidité.
- Ne laissez aucun produit inflammable près de l'appareil lorsque celui-ci fonctionne.
- Installez toujours cet appareil dans un endroit bien ventilé, à au moins 20 pouces (50 cm) des surfaces adjacentes. Assurez-vous qu'aucune fente de ventilation ne soit obstruée.
- Déconnectez toujours cet appareil de l'alimentation principale avant de procéder à tout entretien ou remplacement le fusible.
- Veillez à remplacer le fusible avec un de même type et même ampérage.
- Lorsque vous montez cet appareil en hauteur, utilisez toujours une élingue de sécurité pour le sécuriser au dispositif de fixation.
- La température ambiante (Ta) maximale supportée par cet appareil est de 104° F (40° C). Ne le faites pas fonctionner à des températures plus élevées.
- En cas de sérieux problèmes de fonctionnement, arrêtez l'unité immédiatement. N'essayez jamais de réparer l'unité vous-même. Toute réparation effectuée par une personne non qualifiée peut entraîner des dommages ou un fonctionnement erratique de l'appareil. Mettez-vous en relation avec le centre d'assistance technique autorisé le plus près de chez vous.
- Ne connectez jamais cet appareil à un pack gradateur.
- Assurez-vous que le cordon d'alimentation n'est ni tordu ni endommagé.
- Ne débranchez jamais cet appareil en tirant sur le cordon.
- Ne transportez jamais l'appareil par son cordon d'alimentation ou toute pièce mobile. Utilisez toujours la lyre de suspension ou les poignées.
- Quand cette unité est en marche, évitez tout contact des yeux avec la source lumineuse.
- Les lasers peuvent s'avérer dangereux et font l'objet de consignes de sécurité spécifiques. Une mauvaise utilisation des lasers pourrait entraîner une cécité totale ou causer des lésions oculaires. Portez une attention particulière aux libellés portant la mention AVERTISSEMENT ou REMARQUE dans ce manuel d'utilisation. Lisez et assimilez toutes les consignes AVANT de mettre cet appareil en marche pour la première fois.
- Lumière laser : évitez tout contact direct avec les yeux ! N'exposez jamais intentionnellement directement vos yeux ou ceux d'autres personnes à la lumière du laser.
- Cet appareil laser peut entraîner une cécité totale ou causer des lésions oculaires instantanées si le laser entre en contact direct avec les yeux;
- Il est illégal et dangereux de diriger ce laser vers les zones destinées au public, zones où les yeux des membres du public ou du personnel pourraient être en contact direct avec les rayons laser ou des réfléchissements lumineux.
- Ne pointez pas de laser sur les avions, ceci est répréhensible par la loi.
- Le non-respect des procédures de fonctionnement, des commandes ou des ajustements repris dans ce manuel pourrait résulter en une exposition dangereuse au laser.
- Cet appareil ne contient aucun composant susceptible d'être réparé par l'utilisateur. N'ouvrez pas le boîtier du laser et n'essayez pas de la réparer vous-même. Au cas improbable où votre unité devrait être amenée en réparation, veuillez prendre contact avec le revendeur le plus proche de chez vous.
- Lumière laser : évitez tout contact direct avec les yeux ! N'exposez jamais intentionnellement directement vos yeux ou ceux d'autres personnes à la lumière du laser.



Avertissement Boîtier non Verrouillable

Cet appareil renferme un laser très puissant. N'ouvrez jamais le boîtier du laser, vous pourriez être exposé à des niveaux dangereux de radiation laser. L'intensité du laser à l'ouverture du boîtier peut entraîner une cécité, des brûlures cutanées ou des incendies instantanément.

Consignes de Sécurité Relatives au Laser



PRENEZ LE TEMPS DE LIRE ET ASSIMILEZ LES CONSIGNES DE SÉCURITÉ RELATIVES AU LASER CI-DESSOUS

La lumière d'un laser est très différente de toute autre source de lumière que vous pouvez connaître. La lumière émise par cet appareil peut entraîner des lésions oculaires si celui-ci n'est pas correctement installé et utilisé. Elle est de milliers de fois plus concentrée que toute autre source lumineuse. Cette concentration de lumière peut causer des blessures oculaires instantanées, essentiellement par une brûlure de la rétine (l'arrière de votre œil contient des cellules extrêmement sensibles à la lumière). Même si vous ne ressentez pas de "chaleur" provenant du faisceau lumineux, il peut quand même être à l'origine de blessure ou de cécité, pour vous ou votre public. Une faible radiation en provenance du faisceau lumineux du laser peut s'avérer potentiellement dangereuse, même à de longues distances. Des blessures oculaires dues au laser peuvent survenir avant même que vous n'ayez eu le temps de cligner des yeux.

Il serait erroné de croire que puisque les appareils laser destinés au divertissement divisent le faisceau en centaines de faisceaux et que le faisceau laser est balayé rapidement, un faisceau laser individuel est sans danger pour les yeux. Ce laser utilise des dizaines de milliwatts de puissance (niveaux internes de classe 3B) avant de se diviser en de multiples faisceaux (niveaux de classe 3R). De nombreux faisceaux individuels sont potentiellement dangereux pour les yeux.

Il serait également erroné de croire que puisque la lumière laser est mobile, elle est inoffensive. Tout au contraire. Par ailleurs, elle n'est pas toujours mobile. Puisque les blessures oculaires peuvent apparaître instantanément, il est indispensable d'empêcher la moindre exposition directe des yeux. Selon la réglementation de sécurité relative aux lasers, il est interdit de diriger des lasers de classe 3R là où le public pourrait être en contact avec ces faisceaux. Ceci est également valable s'ils sont dirigés en dessous du visage des gens, tels qu'une piste de danse.

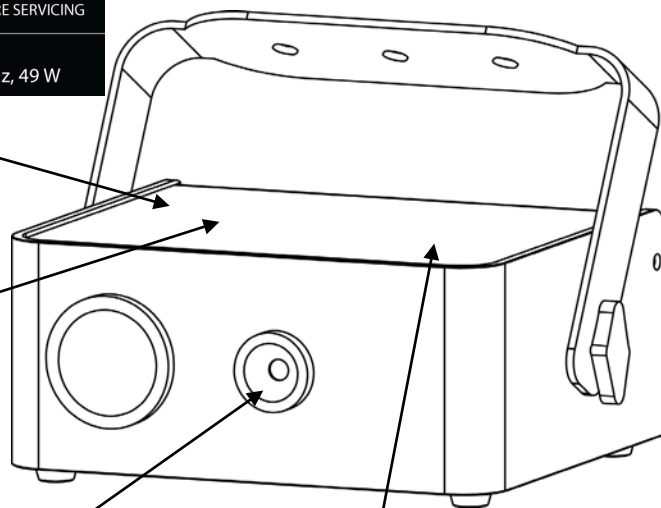


- Ne faites pas fonctionner le laser avant d'avoir lu et compris toutes les données techniques et de sécurité contenues dans ce manuel.
- Veuillez toujours configurer et installer les effets laser de manière à ce que leur lumière soit projetée à minimum 3 mètres (9,8 pieds) au-dessus du sol sur lequel les gens se tiennent. Voir le chapitre "Utilisation adéquate" ci-après dans ce manuel.
- Après installation et avant utilisation publique, veuillez tester le laser afin de vous assurer de son bon fonctionnement. Ne l'utilisez pas si vous détectez un défaut. Ne l'utilisez pas non plus si le laser émet uniquement un ou deux faisceaux au lieu de dizaines ou de centaines, car cela pourrait endommager votre diffraction optique et permettrait l'émission de niveaux de laser plus élevés.
- Ne pointez pas le laser sur les gens ou les animaux.
- Ne regardez jamais l'ouverture ou les faisceaux laser.
- Ne pointez pas de lasers dans les endroits où les gens pourraient potentiellement y être exposés, tels que les balcons, etc.
- Ne pointez pas de laser sur des surfaces réfléchissantes, telles que fenêtres, miroirs, métal réverbérant. Même les reflets des lasers peuvent être dangereux.
- Ne pointez jamais de laser sur les avions, ceci est répréhensible par la loi.
- Ne pointez pas des faisceaux de laser très longue portée dans le ciel.
- N'exposez pas la sortie optique (ouverture) à des produits chimiques.
- N'utilisez pas le laser s'il apparaît qu'il n'émet qu'un ou deux faisceaux.
- N'utilisez pas le laser si le boîtier est endommagé, ouvert, ou si l'optique semble endommagée en quoique ce soit.
- N'ouvrez pas le boîtier du laser. La forte intensité du laser à l'intérieur du boîtier de protection peut entraîner des incendies, des brûlures corporelles ou des blessures oculaires instantanées.
- Ne laissez jamais l'appareil fonctionner sans surveillance.
- Le fonctionnement d'appareils laser de classe 3R n'est autorisé que s'il est contrôlé par un utilisateur expérimenté et adéquatement formé, ayant assimilé les données présentées dans ce manuel.
- Les obligations légales d'utilisation des produits laser pour les loisirs varient de pays en pays. L'utilisateur est tenu de respecter les obligations légales du pays/de la salle dans lequel il l'utilise.
- Utilisez toujours des élingues de sécurité pour éclairage lors de la suspension d'appareils d'éclairage et de projecteurs à effets en hauteur.

Reproductions des Étiquettes en Matière de Sécurité des Appareils Laser

| | | |
|---|--|--|
| <p>LASER LIGHT AVOID DIRECT EYE EXPOSURE CLASS 3R LASER PRODUCT <5 mW, 532 nm & 650 nm, 15 mSec - CW</p> <p>CLASSIFIED PER EN/IEC 60825-1:2007</p> | | <p>CHAUVET Lighting 5200 NW 108th Avenue Sunrise, FL 33351</p> |
| <p>Complies with FDA performance standards for laser products except for deviations pursuant to Laser Notice No. 50, dated June 24, 2007.</p> | | |
| <p>CHAUVET Value • Innovation • Performance</p> | | <p>Complies with UL 1573 CSA C22.2, No. 166</p> |
| <p>PRODUCT NAME: Eclipse™ RGB ITEM CODE: 10060474 FUSE: T1A 250V LIGHT SOURCE: LASER ORIGIN: MADE IN P.R.C. MANUFACTURING DATE:</p> | | <p>THIS APPLIANCE MUST BE GROUNDED USE ONLY FUSE OF SAME TYPE & RATING NOT FOR RESIDENTIAL USE IMPROPRE A L'USAGE DOMESTIQUE FOR INDOOR USE ONLY EMPLACEMENTS SECS DISCONNECT POWER BEFORE SERVICING</p> |
| <p>USA/ CANADA Power: AC 100~125 V, 60 Hz, 43 W</p> | | <p>WORLDWIDE Power: AC 100~240 V, 50 Hz, 49 W</p> |

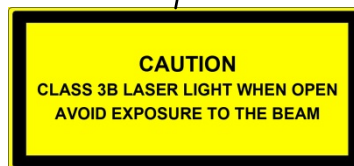
ÉTIQUETTES DE CERTIFICATION, D'IDENTIFICATION DU FABRICANT ET D'EXPLICATIONS



ÉTIQUETTES D'AVERTISSEMENT DE DANGERS LIÉS AU LASER



ÉTIQUETTE D'OUVERTURE DU LASER



AVERTISSEMENT DE BOÎTIER NON VERROUILLABLE



AVERTISSEMENT D'EXPOSITION AU LASER



Lumière laser : évitez tout contact direct avec les yeux !

Des lignes directrices et programmes de sécurité supplémentaires pour une utilisation des lasers en toute sécurité peuvent être consultés dans le texte de la norme ANSI Z136.1 "For Safe Use of Lasers" ("Pour une utilisation des lasers en toute sécurité"), disponible sur le site www.laserinstitute.org du Laser Institute of America. Une multitude de gouvernements, grandes entreprises, agences, forces armées et autres, exige que les utilisateurs d'appareils laser suivent les lignes directrices de la norme ANSI Z136.1. Le guide des spectacles laser peut être obtenu auprès de l'International Laser Display Association (l'association internationale du spectacle laser) sur leur site www.laserist.org.

Données d'Émission Laser

| | |
|--|---|
| Classification du laser | Classe 3R |
| Laser rouge | Diode laser GaAlAs 650 nm, spécifique |
| Laser vert | DPSS (laser solide pompé par diode) Nd:YVO4, 532 nm |
| Diamètre de faisceau | <5 mm à l'ouverture |
| Données d'impulsion | Toutes les impulsions <4 Hz (>0,25 s) |
| Divergence (chaque faisceau) | <2 mrad |
| Divergence (éclairage dans son ensemble) | <160° |
| Puissance de laser de chacune Faisceau depuis ouverture* | <5 mW |

* Comme mesuré selon les conditions de mesure CEI pour la classification.

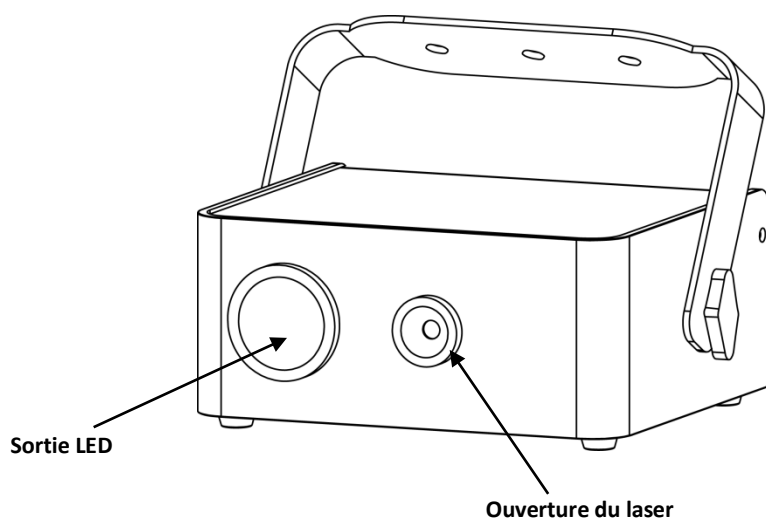
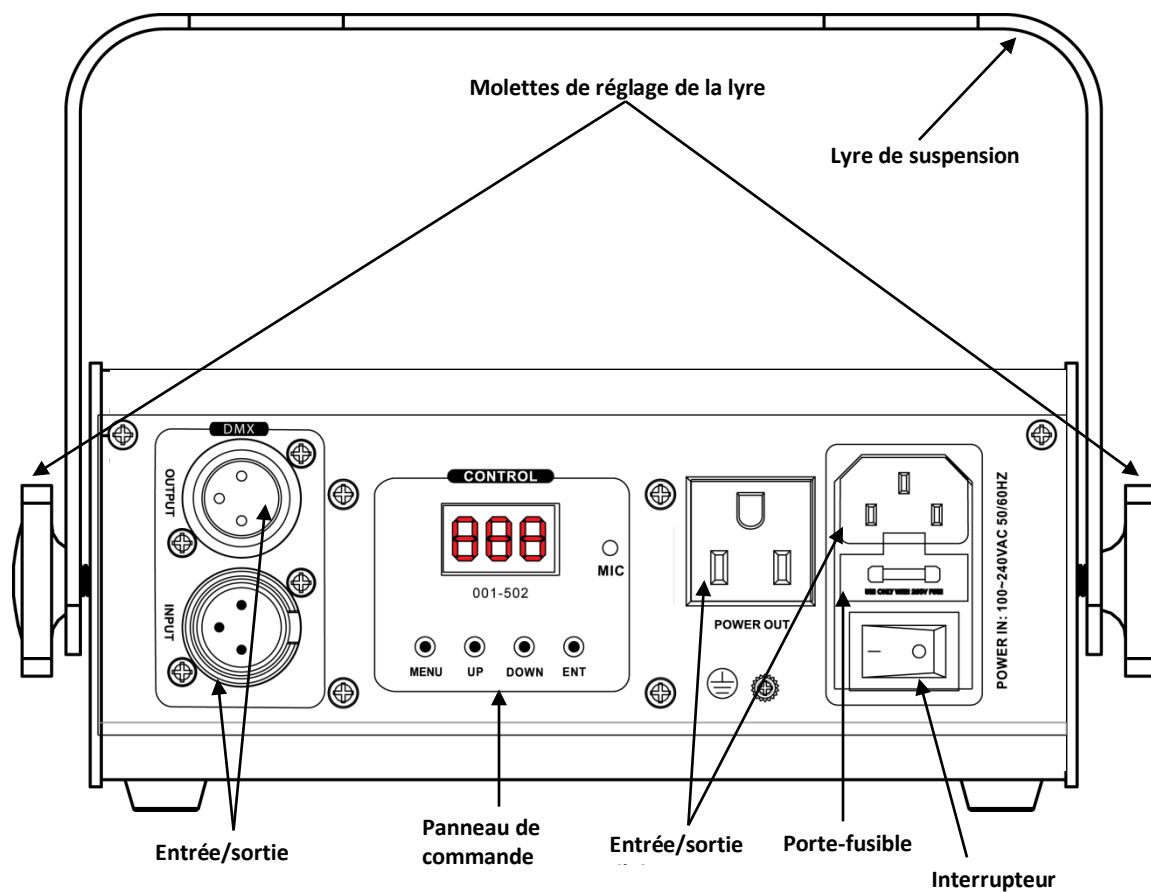
Déclaration de Conformité du Laser



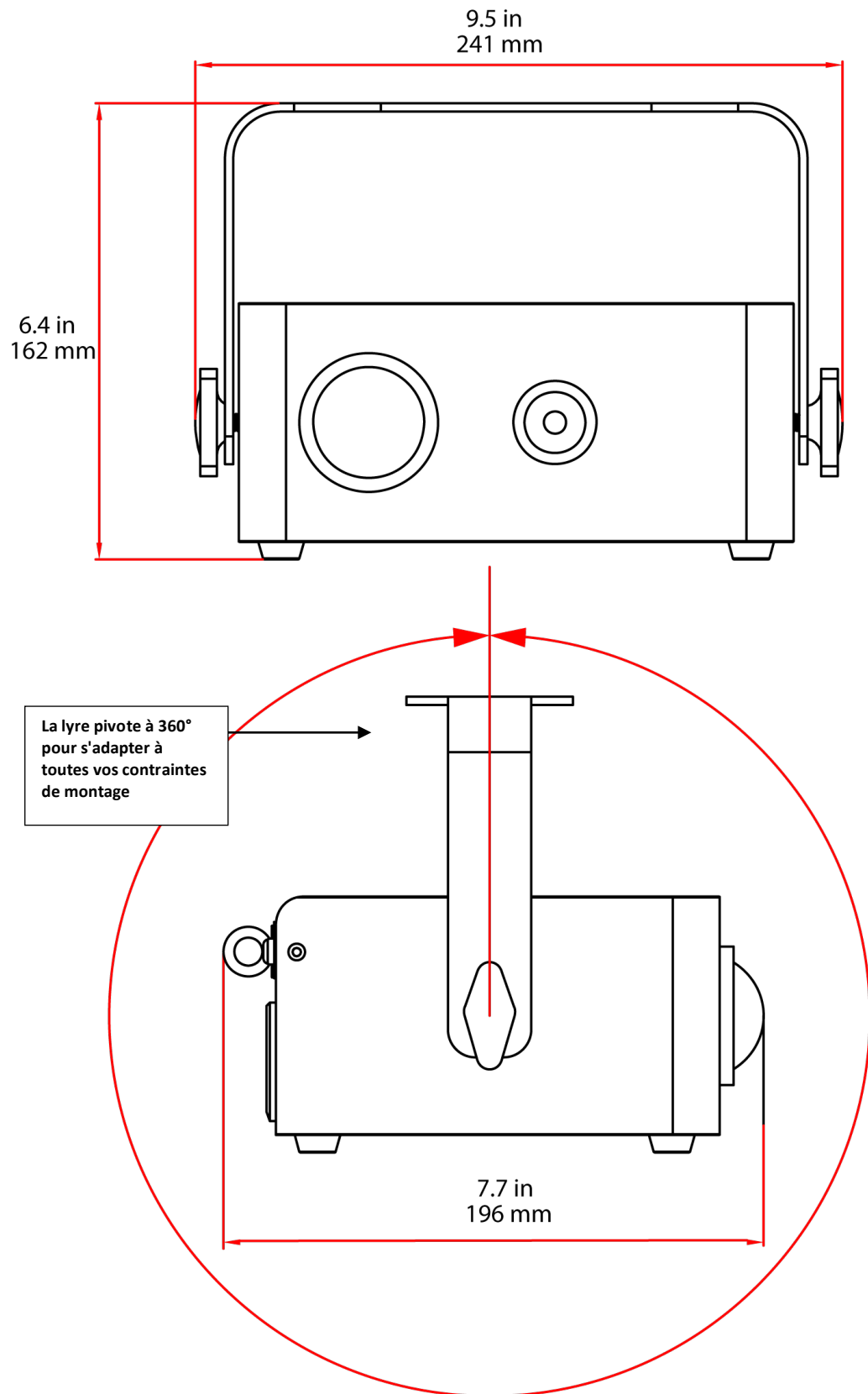
Cet appareil laser répond aux normes EN/CEI 60825-1 Ed 2, 2007-03 et US FDA/CDRH FLPPS selon les termes de la notice de laser n°50 en date du 24 juin 2007. Cet appareil laser est classé 3R. (La classe 3R est la classe équivalente à la classe IIIa aux États-Unis). Aucune maintenance n'est nécessaire pour le maintien de la conformité aux normes de performance laser de cet appareil.

2. INTRODUCTION

Vue d'Ensemble du Produit



Dimensions de l'Appareil



3. CONFIGURATION

Une Alimentation CA Cet appareil est doté d'une alimentation universelle pouvant prendre en charge une multitude de tensions d'entrée. Avant de mettre l'unité sous tension, assurez-vous que la tension de la ligne utilisée est comprise dans la plage des tensions acceptées. Cet appareil prend en charge des tensions comprises entre 100 et 240 VCA et 50/60 Hz. Tous les appareils doivent être alimentés directement par un système de commutation de circuit et ne peuvent être reliés à un rhéostat (résistance variable) ou un circuit voileur, même si vous n'avez l'intention de vous servir du rhéostat ou canal de gradation que comme interrupteur 0 à 100 %.

Installation

Orientation Cet appareil doit être monté de manière sûre et sécurisée, laissant un espace adéquat pour la ventilation.

Suspension Il est important de ne jamais obstruer le ventilateur ou les fentes de ventilations. Monter cet appareil en utilisation des fixations adéquates de type C ou O. Ajustez l'angle de l'appareil en dévissant les deux molettes et en l'inclinant. Une fois trouvée la position désirée, resserrez les deux molettes.

- Au moment de choisir l'emplacement de l'installation, prenez en considération l'accès à l'appareil notamment pour son entretien régulier.
- Il est impératif d'utiliser des élingues de sécurité.

Ne jamais monter l'appareil là où il pourrait être exposé à de la pluie, une forte humidité, des changements extrêmes de températures voire une ventilation réduite.

4. INSTRUCTIONS DE FONCTIONNEMENT

Fonctionnement du Panneau de Commande Pour accéder aux fonctions du panneau de commande, utilisez les quatre boutons situés sous l'écran. Veuillez vous référer à la vue d'ensemble de l'appareil pour voir où se trouvent les boutons sur le panneau de commande.

| Bouton | Fonction |
|---------|--|
| <MENU> | Appuyez pour trouver un mode de fonctionnement ou pour sortir de l'option de menu en cours |
| <UP> | Appuyez pour parcourir vers le haut la liste des options ou trouver une valeur supérieure |
| <DOWN> | Appuyez pour parcourir vers le bas la liste des options ou trouver une valeur inférieure |
| <ENTER> | Appuyez pour activer une option de menu ou une valeur sélectionnée |

Tableau du Menu

| Mode | Étapes de programmation | | Description |
|--------------------------------|-------------------------|---|---|
| Programmes automatiques | AuF | | Mode automatique, rapide |
| | AuS | | Mode automatique, lent |
| | Sou | | Sound Active Mode |
| | rdn | | Mode d'effets aléatoires |
| Sensibilité au son | S 0 | S 0 à S 9 | Ajuste la sensibilité au son en mode musical |
| Commande de LED manuelle | LEd | rgb (r 0 à r 9) (g 0 à g 9) (b 0 à b 9) (Sr0 à Sr9) | Ajuste manuellement la couleur de la LED et la cadence de clignotement du stroboscope |
| | | FdE (Sp0 à Sp9) | Ajuste manuellement la vitesse de fondu de la couleur de la LED |
| Configuration des adresses DMX | 001 | 001-509 | Définit l'adresse DMX de départ |
| Mode esclave | SLA | | Configure le mode esclave |

Configuration (DMX) Mettez l'appareil en mode DMX pour permettre la commande depuis le jeu d'orgues.

1. Branchez l'appareil à une prise adéquate.
2. Mettez-le sous tension.
3. Connectez un câble DMX de la sortie DMX du jeu d'orgues DMX à l'entrée DMX sur le produit.

Adresse de Départ Au moment de sélectionner une adresse DMX de départ, gardez toujours à l'esprit le nombre de canaux DMX que le mode DMX sélectionnée utilise. Si vous choisissez une adresse de départ trop élevée, vous pourriez restreindre l'accès à certains canaux de l'appareil. L'Eclipse™ RGB utilise jusqu'à 12 canaux DMX dans son mode DMX 12 canaux qui permet la configuration de l'adresse la plus élevée en **500**.

Si vous n'êtes pas familier avec le protocole DMX, téléchargez l'introduction au DMX sur le site Web www.chauvetlighting.com.

Pour sélectionner l'adresse de départ, faites comme suit :

1. Appuyez sur <MENU> plusieurs fois jusqu'à ce que s'affiche **001**.
2. Appuyez sur <ENTER>.
3. Utilisez <UP> ou <DOWN> pour sélectionner l'adresse de départ.
4. Appuyez sur <ENTER>.

Valeurs et Assignations de Canaux DMX

| 12 Canaux | Canal | Fonction | Valeur | Configuration |
|-----------|---|-----------|---|---------------|
| 1 | Mode auto | 000 ⇔ 049 | Mode DMX | |
| | | 050 ⇔ 099 | Automatique lent | |
| | | 100 ⇔ 149 | Automatique rapide | |
| | | 150 ⇔ 199 | Mode musical | |
| | | 200 ⇔ 255 | Effet aléatoire | |
| 2 | Couleur | 000 ⇔ 004 | Noir général | |
| | | 005 ⇔ 028 | Rouge | |
| | | 029 ⇔ 056 | Vert | |
| | | 057 ⇔ 084 | Rouge + vert | |
| | | 085 ⇔ 112 | Stroboscope vert et rouge éteint | |
| | | 113 ⇔ 140 | Stroboscope rouge et vert éteint | |
| | | 141 ⇔ 168 | Rouge allumé et stroboscope vert | |
| | | 169 ⇔ 197 | Stroboscope rouge et vert allumé | |
| 198 ⇔ 224 | Stroboscope rouge et vert | | | |
| 225 ⇔ 255 | Stroboscope rouge et vert en alternance | | | |
| 3 | Stroboscope (laser) | 000 ⇔ 004 | Pas de fonction | |
| | | 005 ⇔ 249 | Stroboscope (de lent à rapide) | |
| | | 250 ⇔ 255 | Stroboscope (mode musical) | |
| 4 | Rotation (laser) | 000 ⇔ 004 | Pas de fonction | |
| | | 005 ⇔ 127 | Rotation dans le sens des aiguilles d'une montre (de lent à rapide) | |
| | | 128 ⇔ 133 | Pas de fonction | |
| | | 134 ⇔ 255 | Rotation dans le sens contraire des aiguilles d'une montre (de lent à rapide) | |
| 5 | Vibration | 000 ⇔ 004 | Pas de fonction | |
| | | 005 ⇔ 255 | Vibration (de lent à rapide) | |
| 6 | Flash | 000 ⇔ 004 | Pas de fonction | |
| | | 005 ⇔ 255 | Flash (de lent à rapide) | |
| 7 | Rouge | 000 ⇔ 127 | Rouge | |
| | | 128 ⇔ 169 | Fondu avant (0 à 100 %) | |
| | | 170 ⇔ 209 | Fondu arrière (100 % à 0) | |
| | | 210 ⇔ 255 | Fondu en alternance (100 % à 0 à 100 %...) | |
| 8 | Vert | 000 ⇔ 127 | Vert | |
| | | 128 ⇔ 169 | Fondu avant (0 à 100 %) | |
| | | 170 ⇔ 209 | Fondu arrière (100 % à 0) | |
| | | 210 ⇔ 255 | Fondu en alternance (100 % à 0 à 100 %...) | |
| 9 | Bleu | 000 ⇔ 127 | Bleu | |
| | | 128 ⇔ 169 | Fondu avant (0 à 100 %) | |
| | | 170 ⇔ 209 | Fondu arrière (100 % à 0) | |
| | | 210 ⇔ 255 | Fondu en alternance (100 % à 0 à 100 %...) | |
| 10 | Gradateur | 000 ⇔ 255 | 0 à 100 % | |
| 11 | Stroboscope (LED) | 000 ⇔ 004 | Pas de fonction | |
| | | 005 ⇔ 249 | Stroboscope (de lent à rapide) | |
| | | 250 ⇔ 255 | Stroboscope (mode musical) | |
| 12 | Rotation (LED) | 000 ⇔ 004 | Pas de fonction | |
| | | 005 ⇔ 127 | Rotation dans le sens des aiguilles d'une montre (de lent à rapide) | |
| | | 128 ⇔ 133 | Pas de fonction | |
| | | 134 ⇔ 255 | Rotation dans le sens contraire des aiguilles d'une montre (de lent à rapide) | |

Configuration (Autonome)

Mettez l'appareil en l'un des modes autonome pour permettre la commande sans jeu d'orgues.

1. Branchez l'appareil à une prise adéquate.
2. Mettez-le sous tension.



Ne connectez jamais un appareil en fonctionnement en mode autonome (qu'il s'agisse du mode statique, automatique ou musical) à une chaîne DMX reliée à un jeu d'orgues DMX. Les unités en mode autonome peuvent transmettre un signal DMX pouvant interférer avec les signaux DMX du jeu d'orgues.

Mode Automatique

Pour activer le mode automatique, faites comme suit :

1. Appuyez sur **<MENU>** plusieurs fois jusqu'à ce que s'affiche AuF, AuS, Sou ou rdn.
2. Appuyez sur **<UP>** ou **<DOWN>** pour choisir **AuF** (pour un jeu rapide), **AuS** (pour un jeu lent) ou **rdn** (pour un jeu aléatoire).
3. Appuyez sur **<ENTER>**.

Mode Musical

Pour activer le mode musical, faites comme suit :

1. Appuyez sur **<MENU>** plusieurs fois jusqu'à ce que s'affiche AuF, AuS, Sou ou rdn.
2. Appuyez sur **<UP>** ou **<DOWN>** pour choisir **Sou**.
3. Appuyez sur **<ENTER>**.
4. Lancez la musique et ajustez la molette de sensibilité du microphone jusqu'à ce que l'unité commence à réagir au rythme de la musique.
5. Pour ajuster la sensibilité au son du mode musical, faites comme suit :
 4. Appuyez sur **<MENU>** plusieurs fois jusqu'à ce que s'affiche **S 0**.
 5. Appuyez sur **<UP>** ou **<DOWN>** pour choisir entre "aucune réaction au son" ou "forte réaction au son" de (**S 0 à S 9**).
6. Appuyez sur **<ENTER>**.

Mélange de Couleurs LED

Il vous est possible de mélanger manuellement les couleurs et la cadence de clignotement du stroboscope de la partie LED de l'appareil. Pour ce faire, procédez comme suit :

1. Appuyez sur **<MENU>** plusieurs fois jusqu'à ce que s'affiche **LEd, rGb** ou **FdE**.
2. Appuyez sur **<UP>** ou **<DOWN>** pour choisir **rGb**.
3. Appuyez sur **<ENTER>**.
4. Appuyez sur **<UP>** ou **<DOWN>** pour ajuster entre rouge totalement éteint ou rouge totalement allumé (**r 0-r 9**).
5. Appuyez sur **<ENTER>**.
6. Appuyez sur **<UP>** ou **<DOWN>** pour ajuster entre vert totalement éteint ou vert totalement allumé (**r 0-r 9**).
7. Appuyez sur **<ENTER>**.
8. Appuyez sur **<UP>** ou **<DOWN>** pour ajuster entre bleu totalement éteint ou bleu totalement allumé (**r 0-r 9**).
9. Appuyez sur **<ENTER>**.
10. Appuyez sur **<UP>** ou **<DOWN>** pour ajuster la cadence de clignotement du stroboscope (**Sr0-Sr9**).
11. Appuyez sur **<ENTER>**.

Fondu de Couleur LED

Il vous est possible d'ajuster manuellement la vitesse de fondu de la partie LED de l'appareil. Pour ce faire, procédez comme suit :

1. Appuyez sur **<MENU>** plusieurs fois jusqu'à ce que s'affiche **LEd, rGb** ou **FdE**.
2. Appuyez sur **<UP>** ou **<DOWN>** pour choisir **FdE**.
3. Appuyez sur **<ENTER>**.
4. Appuyez sur **<UP>** ou **<DOWN>** pour ajuster la vitesse de fondu entre lent et rapide (**SP0-SP9**).
5. Appuyez sur **<ENTER>**.

Mode Maître/Esclave

Le mode maître/esclave permet à une seule Eclipse™ RGB (la "maître") de commander les actions d'une ou plusieurs Eclipse™ RGB (les "esclaves") sans avoir recours à un jeu d'orgues DMX. L'unité maître sera configurée de manière à fonctionner soit en mode automatique soit en mode musical, tandis que les unités esclaves seront configurées en mode esclave. Une fois configurées et connectées, les unités esclaves fonctionneront à l'unisson avec l'unité maître.

Configurez les unités comme indiqué ci-dessous.

Unités esclaves :

1. Appuyez sur **<MENU>** plusieurs fois jusqu'à ce que s'affiche **SLA**.
2. Pressez **<ENTER>** pour accepter.
3. Configurez l'adresse DMX sur **001**.
4. Connectez l'entrée DMX de la première unité esclave à la sortie DMX de l'unité maître.
5. Connectez l'entrée DMX de l'unité esclave suivante à la sortie DMX de l'unité esclave précédente.
6. Terminez la configuration et raccordez toutes les unités esclaves.

Unité maître :

1. Configurez l'unité maître afin qu'elle fonctionne soit en mode automatique soit en mode musical.
2. Placez l'unité maître en début de la chaîne DMX.



- **Configurez toutes les unités esclaves afin de connecter l'unité maître à la chaîne DMX.**
- **Ne connectez jamais de jeu d'orgues DMX à une chaîne DMX configurée en fonctionnement maître/esclave car le jeu d'orgues pourrait interférer avec les signaux de l'unité maître.**
- **Ne connectez jamais plus de 31 unités esclave à l'unité maître.**



- **Il est impossible d'éteindre les lasers. Ils peuvent être configurés sur stroboscope lent.**
- **À une vitesse de rotation élevée, le bruit lié au fonctionnement peut augmenter. Ceci est tout à fait normal.**

Spécificités Techniques

POIDS ET DIMENSIONS

| | |
|----------------|---------------------|
| Longueur | 7,7 pouces (196 mm) |
| Largeur | 9,5 pouces (241 mm) |
| Hauteur | 6,4 pouces (162 mm) |
| Poids | 3,7 lb (1,7 kg) |

ALIMENTATION

| | |
|--|--|
| Alimentation universelle | 100 à 240 VCA, 50/60 Hz |
| Fusible | T 1 A, 250 V (fusion temporisée) |
| Consommation électrique à 120 V, | 43 W (0,4 A) max |
| Consommation électrique à 230 V, | 49 W (0,6 A) max |
| Sortie d'alimentation | 22 unités au max. à 120 V; 42 unités à 230 V |

SOURCE LUMINEUSE

| | |
|-----------|--|
| LED | de 8 W, 700 mA (tricolore), chacune ayant une durée de vie de 50 000 h |
|-----------|--|

LASER

| | |
|-----------------------|-----------------|
| Diode verte | 532 nm, 40 mW |
| Diode rouge | 650 nm, 100 mW |
| Type de laser | DPSS |
| Refroidissement | par ventilateur |

PLAGE

| | |
|-------------------------|-----|
| Angle d'éclairage | 70° |
|-------------------------|-----|

THERMIQUE

| | |
|--|-----------------|
| La température ambiante maximale supportée par cet appareil est de | 104° F (40° C). |
|--|-----------------|

INFORMATIONS DE COMMANDE

| | |
|--------------------|------------|
| Eclipse™ RGB | ECLIPSERGB |
|--------------------|------------|

INFORMATIONS SUR LA GARANTIE

| | |
|----------------|---------------------------|
| Garantie | Garantie Limitée de 2 ans |
|----------------|---------------------------|

Renvois

Téléphonez au centre d'assistance technique de CHAUVET® correspondant et demandez un numéro d'autorisation de retour (NAR) avant de nous réexpédier l'appareil. Pour l'obtenir, il vous sera demandé de fournir le numéro du modèle, le numéro de série ainsi qu'une brève description de l'objet du retour.

Vous devez nous retourner la marchandise en port prépayé, dans ses boîte et emballage d'origine et avec tous ses accessoires. CHAUVET® ne délivrera pas d'étiquettes de renvoi.

Indiquez lisiblement le NAR sur une étiquette apposée sur le colis. CHAUVET® refusera la réception de tout appareil pour lequel aucun NAR n'a été demandé.



N'écrivez PAS le NAR directement sur le colis. Inscrivez-le plutôt sur une étiquette apposée.

Remarque : S'il vous est communiqué un numéro NAR, veuillez inclure les informations suivantes sur une feuille de papier et la joindre à votre colis :

1. Votre nom
2. Votre adresse
3. Votre numéro de téléphone
4. Le numéro NAR
5. Une courte description des problèmes

CHAUVET® se réserve le droit, à sa discrétion, de réparer ou remplacer toute unité. Nous vous recommandons d'utiliser un emballage double ou celui de FedEx.



Si vous résidez en dehors des États-Unis, du Royaume-Uni et de l'Irlande, contactez votre revendeur et suivez leurs instructions quant à la procédure à suivre pour renvoyer votre appareil. Consultez le site www.chauvetlighting.com pour trouver nos coordonnées.

Contact Us

World Headquarters

CHAUVET®

General Information

Address: 5200 NW 108th Avenue
Sunrise, FL 33351
Voice: (954) 929-1115
Fax: (954) 929-5560
Toll free: (800) 762-1084

Technical Support

Voice: (954) 929-1115 (Press 4)
Fax: (954) 756-8015
Email: tech@chauvetlighting.com

World Wide Web

www.chauvetlighting.com

United Kingdom & Ireland

CHAUVET® Europe Ltd.

General Information

Address: Unit 1C
Brookhill Road Industrial Estate
Pinxton, Nottingham, UK
NG16 6NT
Voice: +44 (0)1773 511115
Fax: +44 (0)1773 511110
Email: uktech@chauvetlighting.com

World Wide Web

www.chauvetlighting.co.uk

Free Manuals Download Website

<http://myh66.com>

<http://usermanuals.us>

<http://www.somanuals.com>

<http://www.4manuals.cc>

<http://www.manual-lib.com>

<http://www.404manual.com>

<http://www.luxmanual.com>

<http://aubethermostatmanual.com>

Golf course search by state

<http://golfingnear.com>

Email search by domain

<http://emailbydomain.com>

Auto manuals search

<http://auto.somanuals.com>

TV manuals search

<http://tv.somanuals.com>