

Foot Master™ 4200

FS-4200



USER MANUAL



CHAUVET, 3000 N 29th Ct, Hollywood, FL 33020 U.S.A
(800) 762-1084 – (954) 929-1115
FAX (954) 929-5560
www.chauvetlighting.com

2007-02-13/14:05

Table of Contents

1. BEFORE YOU BEGIN.....	3
UNPACKING INSTRUCTIONS.....	3
CONTACT US.....	3
SAFETY INSTRUCTIONS.....	4
2. INTRODUCTION	5
FEATURES.....	5
PRODUCT OVERVIEW.....	6
3. SETUP	7
AC POWER	7
MOUNTING	7
4. OPERATING INSTRUCTIONS.....	8
USING THE FS-4200.....	8
CONNECTION DIAGRAM	8
5. APPENDIX.....	9
RETURNS PROCEDURE	9
CLAIMS	9
MAINTENANCE	9
TECHNICAL SPECIFICATIONS.....	10
TECHNICAL SUPPORT	10

©CHAUVET, 2006, All Rights Reserved

Information and specifications in this User Manual are subject to change without notice. CHAUVET assumes no responsibility or liability for any errors or inaccuracies that may appear in this manual.

1. Before You Begin

Unpacking Instructions

Immediately upon receiving a product, carefully unpack the carton, check the contents to ensure that all parts are present, and have been received in good condition. Notify the shipper immediately and retain packing material for inspection if any parts appear damaged from shipping or the carton itself shows signs of mishandling. **Save the carton and all packing materials.** In the event that a fixture must be returned to the factory, it is important that the fixture be returned in the original factory box and packing.

Note: If you should require sending any items back to CHAUVET, call CHAUVET for a (RA) Return Authorization number. The factory will not allow any shipments without an RA.

Your shipment includes the following:

1 x Foot Master Switch
1 x Foot Master Relay Pack
1 x Power cable
1 x Serial link cable
Warranty Card
Users Manual

Contact Us

World Wide

General Information Chauvet Lighting
3000 North 29th Court
Hollywood, FL 33020
voice: 954.929.1115
fax: 954.929.5560
toll free: 800.762.1084

Technical Support Chauvet Lighting
3000 North 29th Court
Hollywood, FL 33020
voice: 954.929.1115 **(Press 4)**
fax: 954.929.5560 **(Attention: Service)**

World Wide Web www.chauvetlighting.com

Safety Instructions



Please read these instructions carefully, which includes important information about the installation, usage and maintenance of this product.

- Please keep this User Guide for future consultation. If you sell the unit to another user, be sure that they also receive this instruction booklet.
- Always make sure that you are connecting to the proper voltage, and that the line voltage you are connecting to is not higher than that stated on the decal or rear panel of the fixture.
- This product is intended for indoor use only!
- To prevent risk of fire or shock, do not expose fixture to rain or moisture. Make sure there are no flammable materials close to the unit while operating.
- The unit must be installed in a location with adequate ventilation, at least 20in (50cm) from adjacent surfaces. Be sure that no ventilation slots are blocked.
- Always disconnect from power source before servicing or replacing lamp or fuse and be sure to replace with same lamp source.
- Secure unit to fastening device using a safety chain.
- Maximum ambient temperature (Ta) is 95°F (35°C). Do not operate unit at temperatures higher than this.
- In the event of a serious operating problem, stop using the unit immediately. Never try to repair the unit by yourself. Repairs carried out by unskilled people can lead to damage or malfunction. Please contact the nearest authorized technical assistance center. Always use the same type spare parts.
- Don't connect the device to a dimmer pack.
- Make sure the power cord is never crimped or damaged.
- Never disconnect the power cord by pulling or tugging on the cord.
- Avoid direct eye exposure to the light source while it is on.
- Do not daisy chain power to more than 4 units.

Caution!

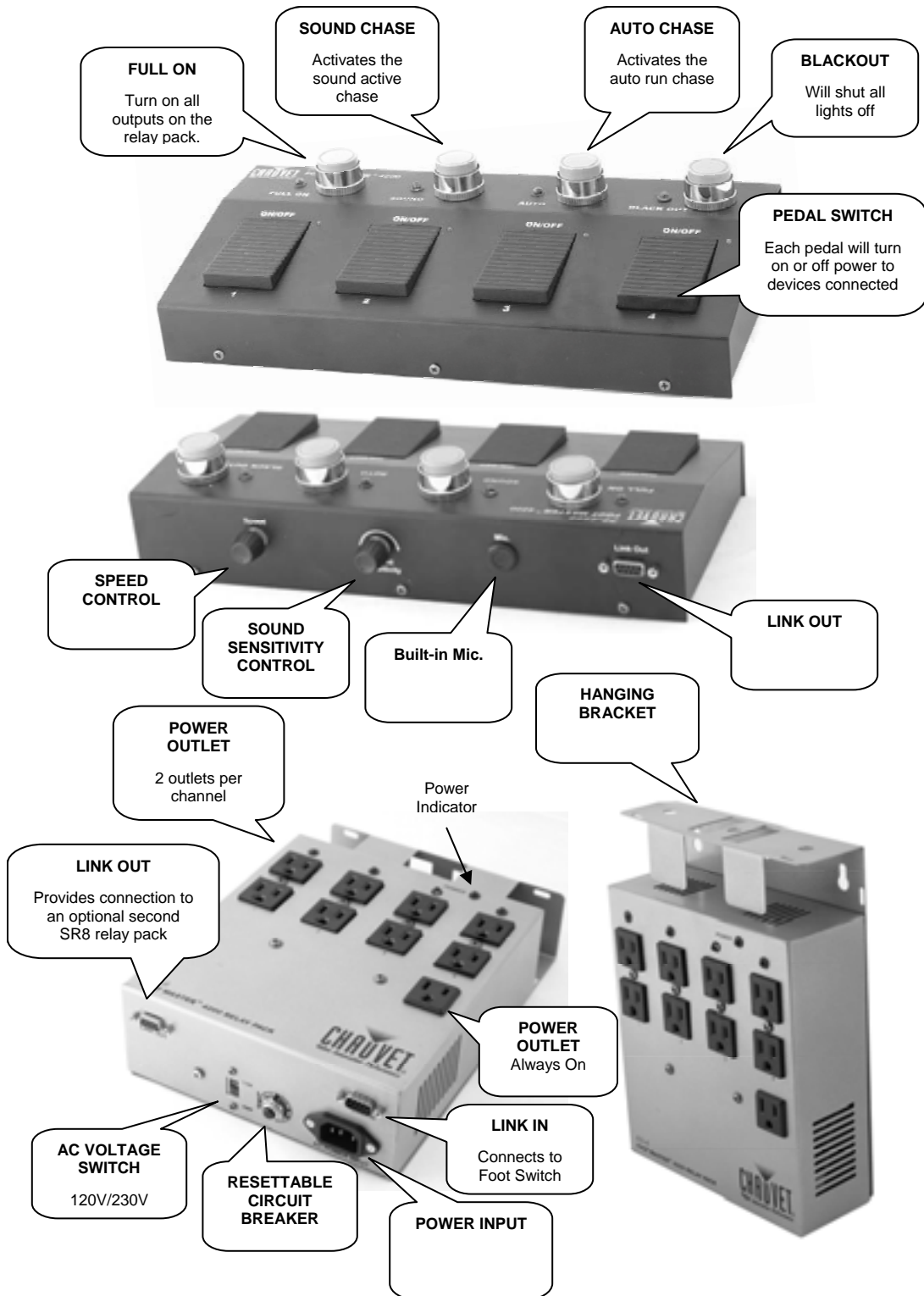
There are no user serviceable parts inside the unit. Do not open the housing or attempt any repairs yourself. In the unlikely event your unit may require service, please contact CHAUVET at: 954-929-1115.

2. Introduction

Features

- Pre-programmed foot controller
- Foot controller powered through included relay pack
- 4 channels with on/off switches
- Four chase options:
 - a) 16 pattern sound activation with sensitivity adjustment
 - b) Adjustable timed chase
 - c) Full on override
 - d) Blackout override
- Manual override available for all control options
- Includes 1 relay pack with 8 sockets (2 sockets per channel) and SF-EXCB linking cable
- Additional linkable relay packs available (max 4 units, model: SR-8)
- Additional power output for daisy chaining packs together

Product Overview



3. Setup

AC Power

Warning! *Verify that the power requirement label on your unit matches the line voltage applied. All fixtures must be connected to circuits with a suitable Earth Ground.*

- To determine the power requirements for a particular fixture, see the label affixed to the back plate of the fixture or refer to the fixture's specifications chart.
- A fixture's listed current rating is its average current draw under normal conditions.
- All fixtures must be powered directly off a switched circuit and cannot be run off a rheostat (variable resistor) or dimmer circuit, even if the rheostat or dimmer channel is used solely for a 0% to 100% switch.
- Before applying power to a fixture, check that the source voltage matches the fixture's requirement.
- All fixtures must be connected to circuits with a suitable Earth Ground.

Power Cable Configuration

CABLE	Pin	International	Screw Color
BROWN	Live	L	Yellow or Brass
BLUE	Neutral	N	Silver
YELLOW/GREEN	Earth	EG (Ground)	Green

Mounting

Orientation

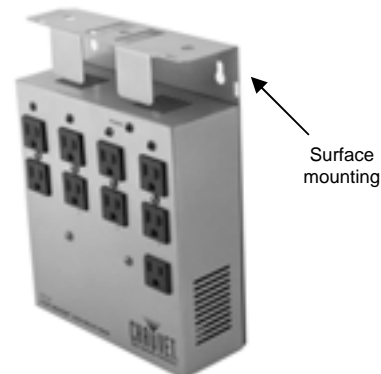
This power relay-pack can be mounted on a truss using a clamp in any position or against a flat surface using the screw holes

Rigging

The relay pack includes (3) clamp mounting holes for convenience of placement. You only need to use one to adhere to a truss or light stand. You must supply your own clamp and make sure the clamp is capable of supporting the weight of the relay pack. You can order C-clamps from any CHAUVET dealer or distributor.

1. Block access below the work area and use suitable and stable platform when installing or servicing the relay pack.
2. Affix clamp to relay-pack using any of the (3) clamp holes provided.
3. Verify the structure can hold 10 times the weight of all to-be installed fixtures.
4. Always use a safety cable or chain as a secondary source of attachment. The safety cable must hold 10 times the weight of the accessory. If safety cable attachment point is provided that is permanently affixed to the surface or body of the fixture, use that instead of looping through a hanging yoke/arm.

Hanging Clamp



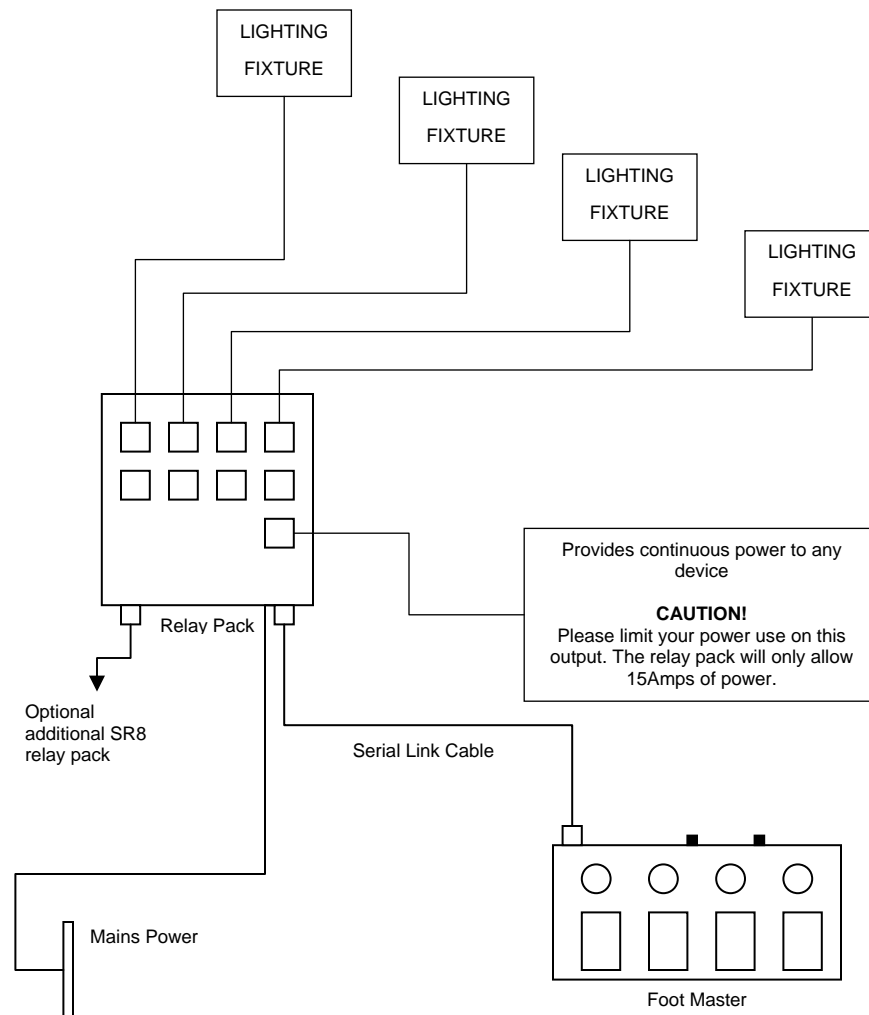
4. Operating Instructions

Using the FS-4200

The Foot Master™ 4200 comes with a relay pack and foot controller. The relay pack has 16 built in chase patterns that can be triggered either by sound or automatically using the foot controller. The foot controller provides additional control options such as;

- **Full On** : Will turn on all power on all receptacles
- **Sound** : All chase patterns will be triggered via sound, the sensitivity to sound can be adjusted
- **Auto** : Chase patterns will be triggered at a pre-determined speed
- **Blackout** : All lights will be turned off momentarily or for as long as you hold the foot button
- **Individual ON/OFF pedals** : Each output can be turned on or off independently.

Connection Diagram



5. Appendix

Returns Procedure

Returned merchandise must be sent prepaid and in the original packing, call tags will not be issued. Package must be clearly labeled with a Return Merchandise Authorization Number (RA #). Products returned without an RA # will be refused. Call CHAUVET and request RA # prior to shipping the fixture. Be prepared to provide the model number, serial number and a brief description of the cause for the return. Be sure to properly pack fixture, any shipping damage resulting from inadequate packaging is the customer's responsibility. CHAUVET reserves the right to use its own discretion to repair or replace product(s). As a suggestion, proper UPS packing or double-boxing is always a safe method to use.

Claims

Damage incurred in shipping is the responsibility of the shipper; therefore the damage must be reported to the carrier upon receipt of merchandise. It is the customer's responsibility to notify and submit claims with the shipper in the event that a fixture is damaged due to shipping. Any other claim for items such as missing component/part, damage not related to shipping, and concealed damage, must be made within seven (7) days of receiving merchandise.

Maintenance

To maintain optimum performance and minimize wear, fixtures should be cleaned frequently. Usage and environment are contributing factors in determining frequency. As a general rule, fixtures should be cleaned at least twice a month. Dust build up reduces light output performance and can cause overheating. This can lead to reduced lamp life and increased mechanical wear. Be sure to power off fixture before conducting maintenance.

Unplug fixture from power. Use a vacuum or air compressor and a soft brush to remove dust collected on external vents and internal components. Clean all glass when the fixture is cold with a mild solution of glass cleaner or Isopropyl Alcohol and a soft lint free cotton cloth or lens tissue. Apply solution to the cloth or tissue and drag dirt and grime to the outside of the lens. Gently polish optical surfaces until they are free of haze and lint. Do not touch the lamp glass when cleaning fixture. Oil and dirt can cause damage and premature aging of the lamp. In the event that the lamp is touched or becomes dirty, clean the lamps with an alcohol wipe.

The cleaning of internal and external optical lenses and/or mirrors must be carried out periodically to optimize light output. Cleaning frequency depends on the environment in which the fixture operates: damp, smoky or particularly dirty surrounding can cause greater accumulation of dirt on the unit's optics. Clean with soft cloth using normal glass cleaning fluid. - Always dry the parts carefully. - Clean the external optics at least every 20 days. Clean the internal optics at least every 30/60 days.

Technical Specifications

WEIGHT & DIMENSIONS

	Relay Pack
Length.....	8.25 in (210 mm)
Width.....	7.65 in (194 mm)
Height.....	2.75 in (70 mm)
Weight.....	5 lbs (2.2 kg)

	Foot Switch
Length.....	12.0 in (304.8 mm)
Width.....	6.5 in (165.1 mm)
Height.....	3.0 in (76.2 mm)
Weight.....	3.56 lbs (1.59 kg)

POWER

Operating Voltage.....	110V 60 Hz or 230V 50 Hz
AC input.....	IEC 60320 C14
Load (110V).....	(10A, 1100W) per channel, (15A, 1650W) maximum
Load (220V).....	(10A, 2200W) per channel, (15A, 3300W) maximum

FUSE

Main.....	Resettable Circuit Breaker
-----------	----------------------------

ORDERING INFORMATION

Foot Master™ 4200.....	FS-4200
------------------------	---------

Technical Support

Address: Service Dept.
 3000 N 29th Ct, Hollywood, FL 33020 (U.S.A.)
 Support (Email): tech@chauvetlighting.com
 Telephone: (954) 929-1115 - (Press 4)
 Fax: (954) 929-5560 - (Attention: Service)
 Website: <http://www.chauvetlighting.com>

Free Manuals Download Website

<http://myh66.com>

<http://usermanuals.us>

<http://www.somanuals.com>

<http://www.4manuals.cc>

<http://www.manual-lib.com>

<http://www.404manual.com>

<http://www.luxmanual.com>

<http://aubethermostatmanual.com>

Golf course search by state

<http://golfingnear.com>

Email search by domain

<http://emailbydomain.com>

Auto manuals search

<http://auto.somanuals.com>

TV manuals search

<http://tv.somanuals.com>