
INSTALLATION INSTRUCTIONS

Flat Panel Display Security Kit (FSA-1009 and KSA-1009)

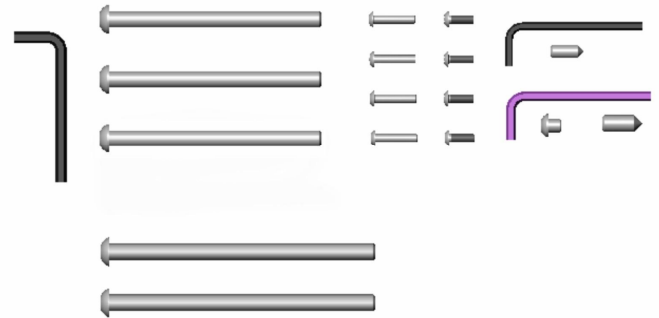
The flat panel display security kit replaces exposed hardware with security hardware.

NOTE: In some installations (i.e. single arm mount) not all fasteners included in this kit will be required.

The security accessory kit can be used on most flat panel configurations.

The pivot/pitch mount and mounts that are equipped with a swing arm use the 4-inch security pivot bolts. Mounts that are equipped with a height-adjustable arm use the 5-inch security pivot bolts. Some configurations can use both the 4-inch and 5-inch security pivot bolts.

The security accessory kit is available for F-Series mounts and K-Series mounts.



Security Parts Kit

BEFORE YOU BEGIN

- **CAUTION:** To prevent damage to the mount, which could affect or void the Factory warranty, thoroughly study all instructions and illustrations before you begin to install the mount brackets. Pay particular attention to the “Important Warnings and Cautions” on Page 2.
- If you have any questions about this installation, contact Chief Manufacturing at 1-800-582-6480 or 952-894-6280.



CHIEF MANUFACTURING INC.
1-800-582-6480 952-894-6280 FAX 952-894-6918
8401 EAGLE CREEK PARKWAY, STE. 700
SAVAGE, MINNESOTA 55378 USA

8807-000025 (Rev. C)
©2006 Chief Manufacturing
www.chiefmfg.com
06/06



IMPORTANT WARNINGS and CAUTIONS!

- WARNING** A **WARNING** alerts you to the possibility of serious injury or death if you do not follow the instructions.
- CAUTION** A **CAUTION** alerts you to the possibility of damage or destruction of equipment if you do not follow the corresponding instructions.
- **WARNING** **Be aware of the potential for personal injury or damage to the mount if the accessory kit is not properly installed.**
 - **WARNING** **Watch for pinch points. Do not put your fingers between movable parts.**
 - **CAUTION** Check the accessory kit for missing parts before you begin the installation.
 - **CAUTION** Over-tightening security screws may damage your display.

CONTENTS

TOOLS REQUIRED FOR INSTALLATION3
 PARTS.....3
 DISPLAY SECURITY SCREWS.....4
 Flush Mount.....4
 Recessed Mount.....4
 INSTALL SECURITY PIVOT BOLTS.....5
 Install 4-inch Security Pivot Bolts5
 Install 5-inch Security Pivot Bolts5
 Install 4-inch and 5-inch Security Pivot Bolts5
 INSTALL SECURITY SET SCREWS.....6
 Option I.....6
 Option II.....6

TOOLS REQUIRED FOR INSTALLATION

- 1/8" Hex key wrench
- 5/32" Hex key wrench
- 3/16" Hex Key wrench

NOTE: Other tools may be required depending on the method of installation.

PARTS

Prior to installing the security kit, unpack carton completely and verify the contents listed in Table 1. If you are missing any of the parts, contact Customer Service at 1.800.582.6480.

Table 1. Security Parts Kit

ITEM	DESCRIPTION	QTY	ITEM	DESCRIPTION	QTY
10	Security Pivot Bolt, 4"	3	60	M4 x 12mm Security Screw	4
20	Security Pivot Bolt, 5"	2	70	M4 x 20mm Security Screw	4
30	1/4-20 x 1/4" Security Screw	1	80	1/8" Hex Key	1
40	1/4-20 x 5/8" Set Screw	1	90	5/32" Security Hex Key	1
50	5/16-18 x 3/4" Security Set Screw	1	100	3/16" Security Hex Key	1

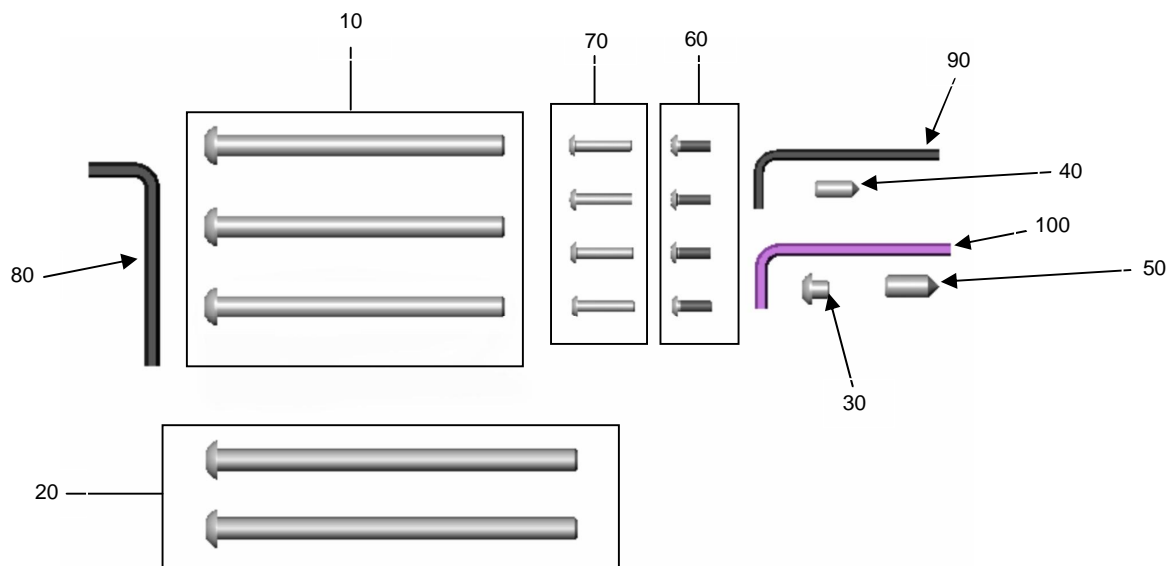


Figure 1. Security Kit Parts

DISPLAY SECURITY SCREWS

Select the appropriate hardware from the security kit to secure your display. Select the procedure, listed below, that applies to your application.

- Flush Mount (no spacers required)
- Recessed Mount (spacers required)

Flush Mount

1. Verify that you have the correct parts.
2. Remove two M4 x 12mm screws from the top mounting holes on the display.
3. Install two M4 x 12mm security screws (60) into the top mounting holes on the display (see Figure 2).
4. Repeat Steps 2 and 3 to install the two remaining M4 x 12mm security screws (60) into the bottom mounting holes on the display.

Recessed Mount

1. Verify that you have the correct parts.

NOTE: If your display uses a screw size other than M4 x 20mm, DO NOT use the M4 x 20mm security screws. Using the wrong screws could result in damage to your display.

2. Remove two M4 x 20mm screws from the top mounting holes on the display, exercising care to retain the two spacers beneath the Centris mount.
3. Install two M4 x 20mm security screws (70) and two spacers into the top mounting holes on the display (see Figure 2).
4. Repeat Steps 2 and 3 to install the two remaining M4 x 20mm security screws (70) into the bottom mounting holes on the display.

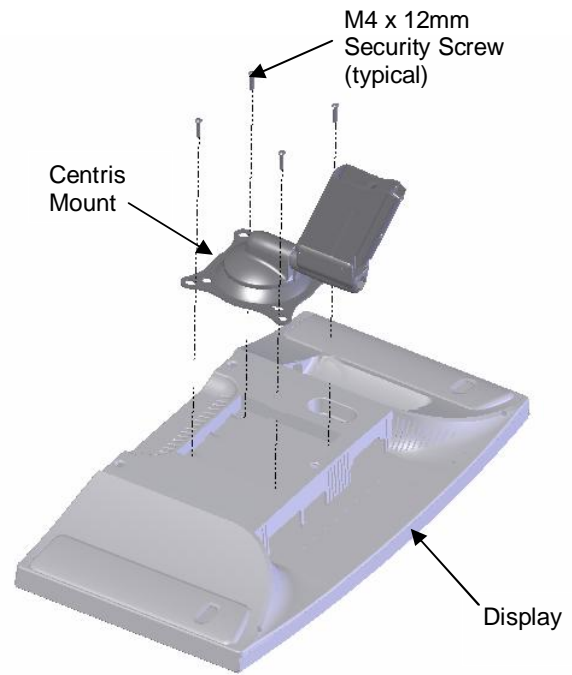


Figure 2. Flushed Mount

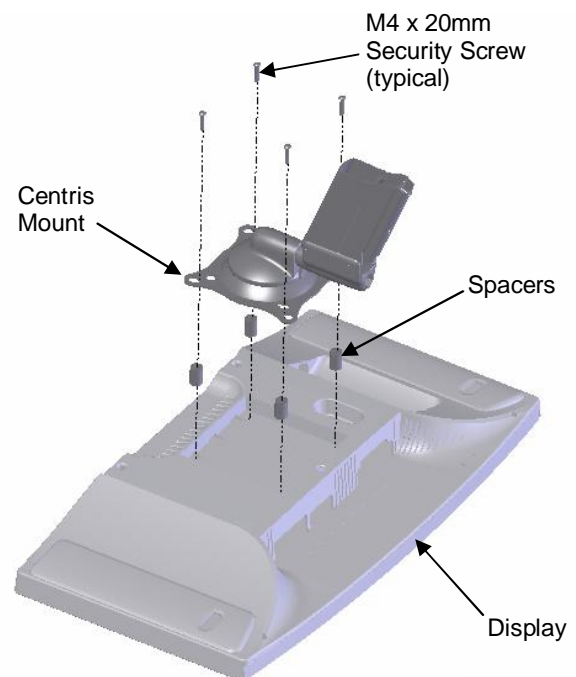


Figure 3. Recessed Mount

INSTALL SECURITY PIVOT BOLTS

Perform the applicable procedure to replace the regular pivot bolts with security pivot bolts. You will need the security hex keys (provided) to complete the installation.

Install 4-inch Security Pivot Bolts

For swing arm models, replace the standard pivot bolts with security pivot bolts, as follows:

NOTE: Do not remove the display (not shown) from the Centris mount.

1. Verify that you have the correct parts.
2. Remove the 4-inch pivot bolt from the Centris mount. Exercise care to retain the other parts shown in Figure 4.
3. Install the 4-inch security pivot bolt (10) at the Centris mount. Make sure the other parts are installed in place as shown in Figure 4.
4. Repeat Steps 2 and 3 to install the second 4-inch security pivot bolt (10) into the other end of the mount.

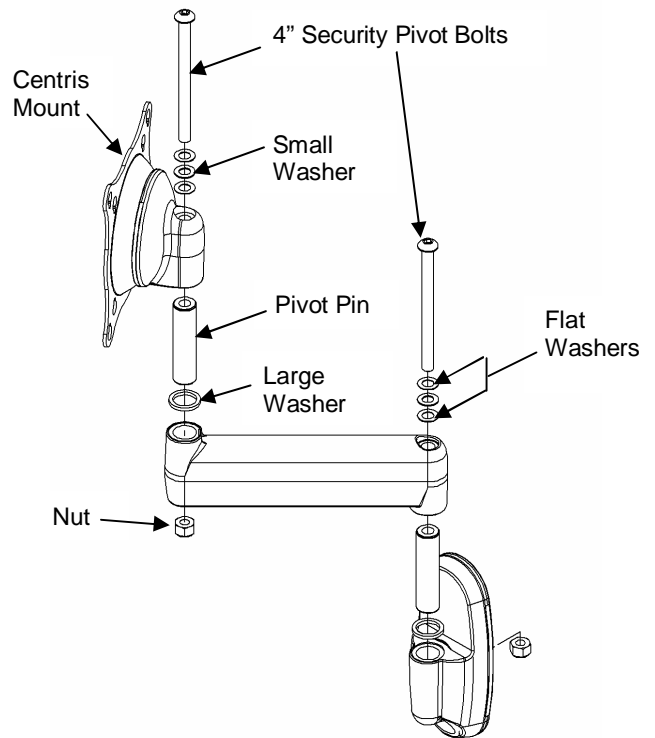


Figure 4. Install 4-inch Security Pivot Bolt (Swing Arm Example)

Install 5-inch Security Pivot Bolts

For lift arm models, replace the standard pivot bolts with security pivot bolts, as follows:

NOTE: Do not remove the display (not shown) from the Centris mount.

1. Verify that you have the correct parts.
2. Remove the 5-inch pivot bolt from the Centris mount. Exercise care to retain the other parts shown in Figure 5.
3. Install the 5-inch security pivot bolt (20) at the Centris mount. Make sure the other parts are installed in place as shown in Figure 5.
4. Repeat Steps 2 and 3 to install the second 5-inch security pivot bolt (20) into the other end of the mount.

Install 4-inch and 5-inch Security Pivot Bolts

For models that have both 4-inch and 5-inch pivot bolts, do the following:

NOTE: Do not remove the display (not shown) from the Centris mount.

1. Verify that you have the correct parts.
2. Remove and replace the regular pivot bolt with the applicable security pivot bolt (see Figure 5).

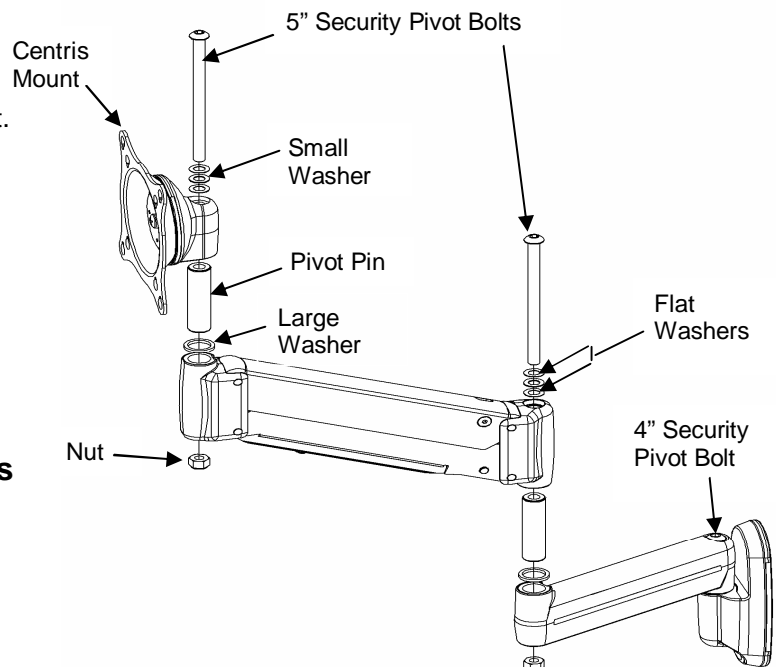


Figure 5. Install 5-inch Security Pivot Bolt (Lift Arm Example)

INSTALL SECURITY SET SCREWS

The security set screw is used to secure the pivot-pitch wall mount. You will need the security hex keys (provided) to install the security set screws.

There are two different wall plates, which require different security requirements. Select the option that applies to your configuration.

Option I

NOTE: If your wall plate uses a 1/4-20 set screw, replace it with a 1/4-20 x 5/8" security set screw (40) and a 1/4-20 x 1/4" security screw (30). The existing set screw in the wall plate is too long to be used with the 1/4-20 x 1/4" security screw.

1. Verify that you have the correct parts.
2. Remove the existing 1/4-20 x 1/4" set screw from the wall plate.
3. Install a 1/4-20 x 5/8" security set screw (40) and a 1/4-20 x 1/4" security screw (30) into the wall plate in the order shown in Figure 6.

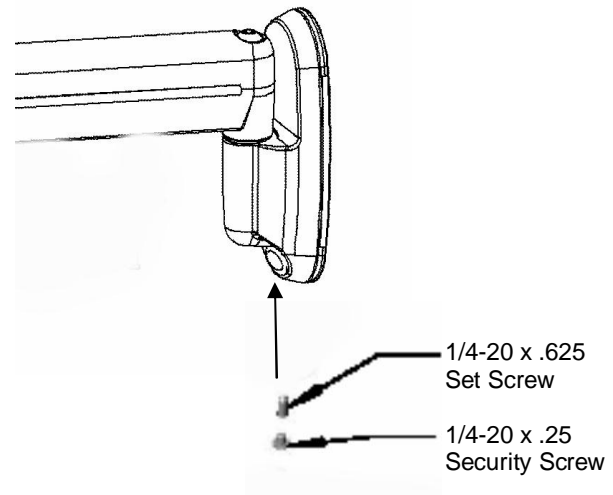


Figure 6. Install Security Set Screws (Option I)

Option II

1. Verify that you have the correct parts.
2. Remove the existing 5/16-18 x 3/4" set screw from the wall plate.
3. Install the 5/16-18 x 3/4" security screw (50) in the wall plate (see Figure 7).

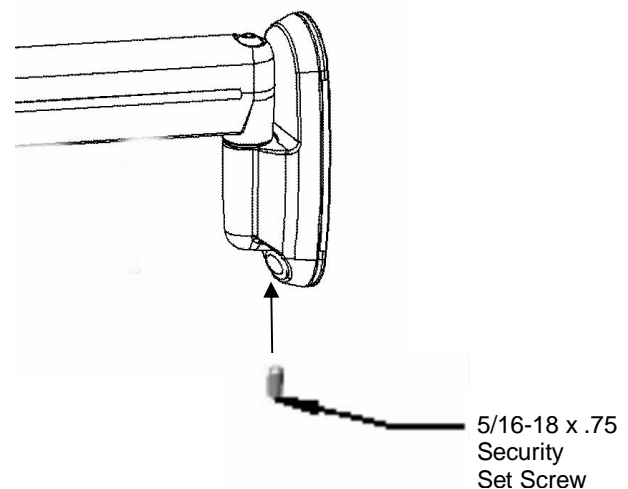


Figure 7. Install Security Set Screws (Option II)

Free Manuals Download Website

<http://myh66.com>

<http://usermanuals.us>

<http://www.somanuals.com>

<http://www.4manuals.cc>

<http://www.manual-lib.com>

<http://www.404manual.com>

<http://www.luxmanual.com>

<http://aubethermostatmanual.com>

Golf course search by state

<http://golfingnear.com>

Email search by domain

<http://emailbydomain.com>

Auto manuals search

<http://auto.somanuals.com>

TV manuals search

<http://tv.somanuals.com>