



IN-WALL MOUNTS MAC501™ & JWDIW™ □ IN-WALL BOX & SWING ARM

26–40" LCDs



FEATURES

- 1 LOW PROFILE**
Designed to ensure mount remains concealed behind the screen.
- 2 CENTRIS™ FINGERTIP TILT**
PATENTED FEATURE
Provides smooth fingertip tilt in all directions using the screen's center of gravity. Screen angle stays set until you decide to re-adjust.
- 3 EASY INSTALLATION**
Center flat panel at any position on wall between 16" center studs without cutting studs. No header/footer necessary!
- 4 SMOOTH EXTENSION**
Extends 21.2" (538 mm) to achieve ideal viewing angle.

WHAT YOU NEED TO KNOW

ORDERING INFORMATION

MAC501 and JWDIW must be ordered separately. Available in Universal or Custom:

- **UNIVERSAL:** Order MAC501 and JWDIW210B
Compatible with VESA 100 x 100 mm and 200 x 200 mm. Also includes 200 x 400 mm interface.
- **CUSTOM:** Order MAC501, JWDIW210B + MSB-xxxx
See MountFinder™ PRO on www.chiefmfg.com for custom MSB model numbers.

SPECIFICATIONS

Roll	+/-5°
Tilt	±15°
Swivel*	90° Left/Right
Extension	21.2" (538 mm)
Box Dimensions (HxWxD)	14.5" x 14.5" x 4.2" (368 x 368 x 107 mm)
Color	Black
Weight Capacity	75 lbs (34 kg)

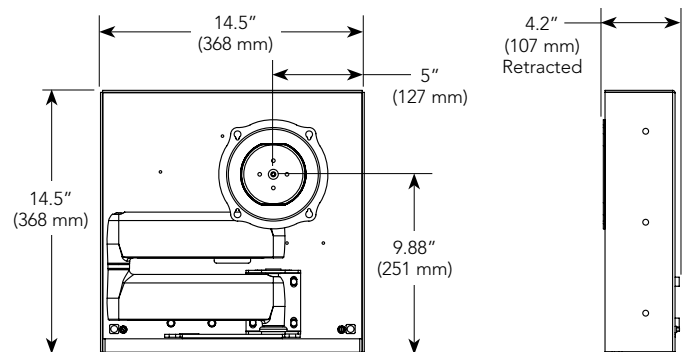
* With 30" flat panel. Swivel range varies with screen size.

RECOMMENDED ACCESSORIES



PACPC1 ■ Power Filter

TECHNICAL DRAWINGS



For a complete list of flat panel mount accessories see page 73.

Free Manuals Download Website

<http://myh66.com>

<http://usermanuals.us>

<http://www.somanuals.com>

<http://www.4manuals.cc>

<http://www.manual-lib.com>

<http://www.404manual.com>

<http://www.luxmanual.com>

<http://aubethermostatmanual.com>

Golf course search by state

<http://golfingnear.com>

Email search by domain

<http://emailbydomain.com>

Auto manuals search

<http://auto.somanuals.com>

TV manuals search

<http://tv.somanuals.com>