



# DUAL MONITOR DESK MOUNTS KCG220™ HEIGHT ADJUSTABLE SWING ARM



## FEATURES

- 1 CENTRIST™ TECHNOLOGY**  
**PATENTED FEATURE**  
Provides smooth fingertip tilt in all directions using the screen's center of gravity. Screen angle stays set until you decide to re-adjust.
- 2 EASY 3-STEP INSTALLATION**  
Ships fully assembled, clamp option can be installed from top of desk, grommet bolt through hardware included.
- 3 INDEPENDENT ADJUSTMENT**  
Adjust each screen independently for ergonomic alignment.
- 4 FINGERTIP HEIGHT ADJUSTMENT**  
Adjust viewing height up to 13.25" (337 mm). Optimize height adjustment for any display with customizable tension.

## WHAT YOU NEED TO KNOW

### INSTALLING THE MONITOR MOUNT

The mounting surface thickness must not exceed 3.2" (81 mm).

### OTHER PRODUCT OPTIONS



**KCD220**  
Dual Monitor Swing Arm Desk Mount



**KCD320**  
Triple Monitor Swing Arm Desk Mount

## SPECIFICATIONS

Depth from Wall	6.4" (163 mm)
Max. Extension	24" (610 mm)
Height Adjustment	13.25" (337 mm)
Tilt	±15°
Weight Capacity	9.5 lbs (4.3 kg)
Max. Screen Width	22.7" (577 mm)
Grommet size	.38 - 3" (10 - 76 mm)
Colors	Black, Silver

## RECOMMENDED ACCESSORIES



**KSA1007** ■ Centris Quick Release Interface



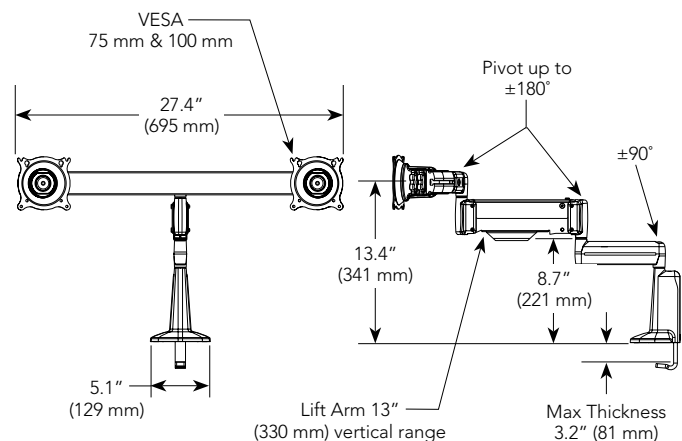
**KSA1008** ■ Extended Desk Clamp Bracket  
– Compatible with 2.5" - 5" thick surfaces



**KSA1012** ■ Extended Reach Desk Clamp Bracket

For a complete list of monitor mount accessories see page 108.

## TECHNICAL DRAWINGS



## Free Manuals Download Website

<http://myh66.com>

<http://usermanuals.us>

<http://www.somanuals.com>

<http://www.4manuals.cc>

<http://www.manual-lib.com>

<http://www.404manual.com>

<http://www.luxmanual.com>

<http://aubethermostatmanual.com>

Golf course search by state

<http://golfingnear.com>

Email search by domain

<http://emailbydomain.com>

Auto manuals search

<http://auto.somanuals.com>

TV manuals search

<http://tv.somanuals.com>