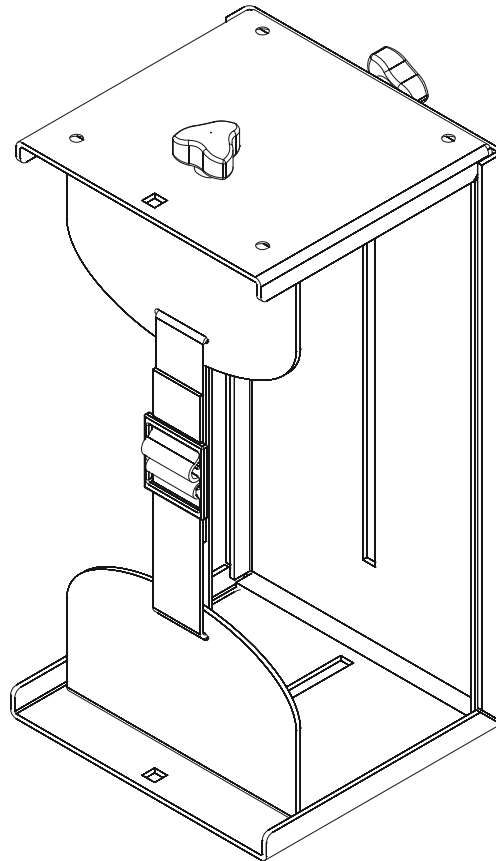


---

# INSTALLATION INSTRUCTIONS

---



---

## Wall and Desk CPU Mount

---

## DISCLAIMER

Milestone AV Technologies, and its affiliated corporations and subsidiaries, (collectively, Milestone) intend to make this manual accurate and complete. However, Milestone makes no claim that the information contained herein covers all details, conditions or variations, nor does it provide for every possible contingency in connection with the installation or use of this product. The information contained in this document is subject to change without notice or obligation of any kind. Milestone makes no representation of warranty, expressed or implied, regarding the information contained herein. Milestone assumes no responsibility for accuracy, completeness or sufficiency of the information contained in this document.

Chief® is a registered trademark of Milestone AV Technologies. All rights reserved.

## IMPORTANT WARNINGS AND CAUTIONS!

**WARNING:** A WARNING alerts you to the possibility of serious injury or death if you do not follow the instructions.

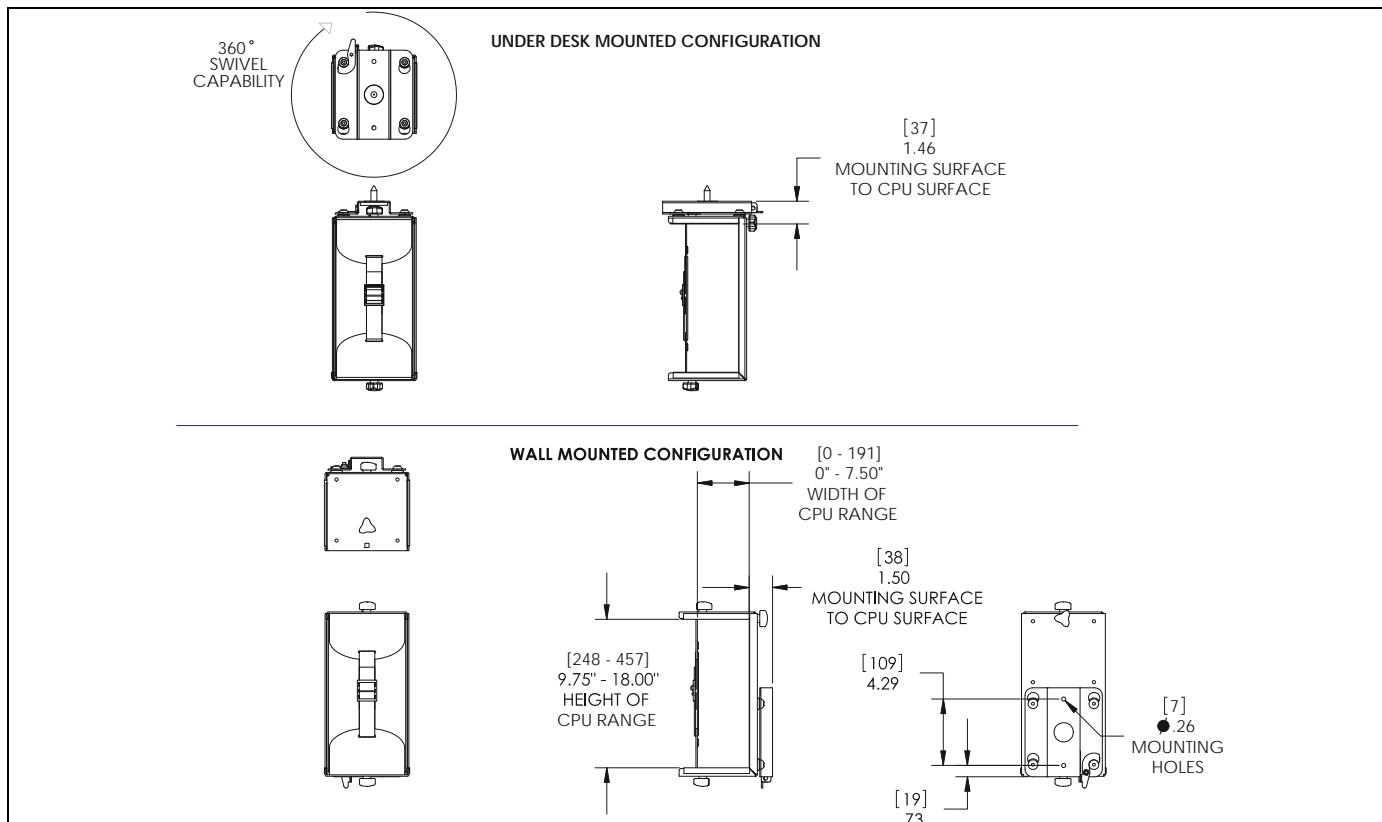
**CAUTION:** A CAUTION alerts you to the possibility of damage or destruction of equipment if you do not follow the corresponding instructions.

**WARNING:** Failure to read, thoroughly understand, and follow all instructions can result in serious personal injury, damage to equipment, or voiding of factory warranty! It is the installer's responsibility to make sure all components are properly assembled and installed using the instructions provided.

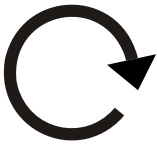

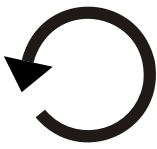









**WARNING:** Failure to provide adequate structural strength for this component can result in serious personal injury or damage to equipment! It is the installer's responsibility to make sure the structure to which this component is attached can support five times the combined weight of all equipment. Reinforce the structure as required before installing the component.

**WARNING:** Exceeding the weight capacity can result in serious personal injury or damage to equipment! It is the installer's responsibility to make sure the combined weight of all components attached to this accessory does not exceed 40 lbs (18.1 kg).

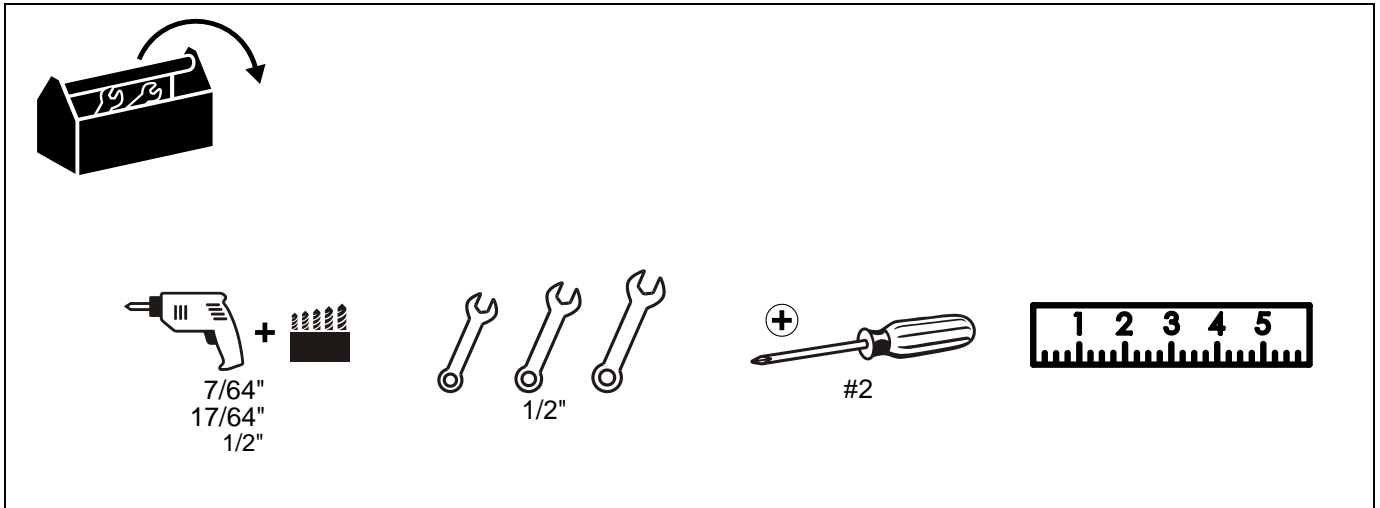
## DIMENSIONS



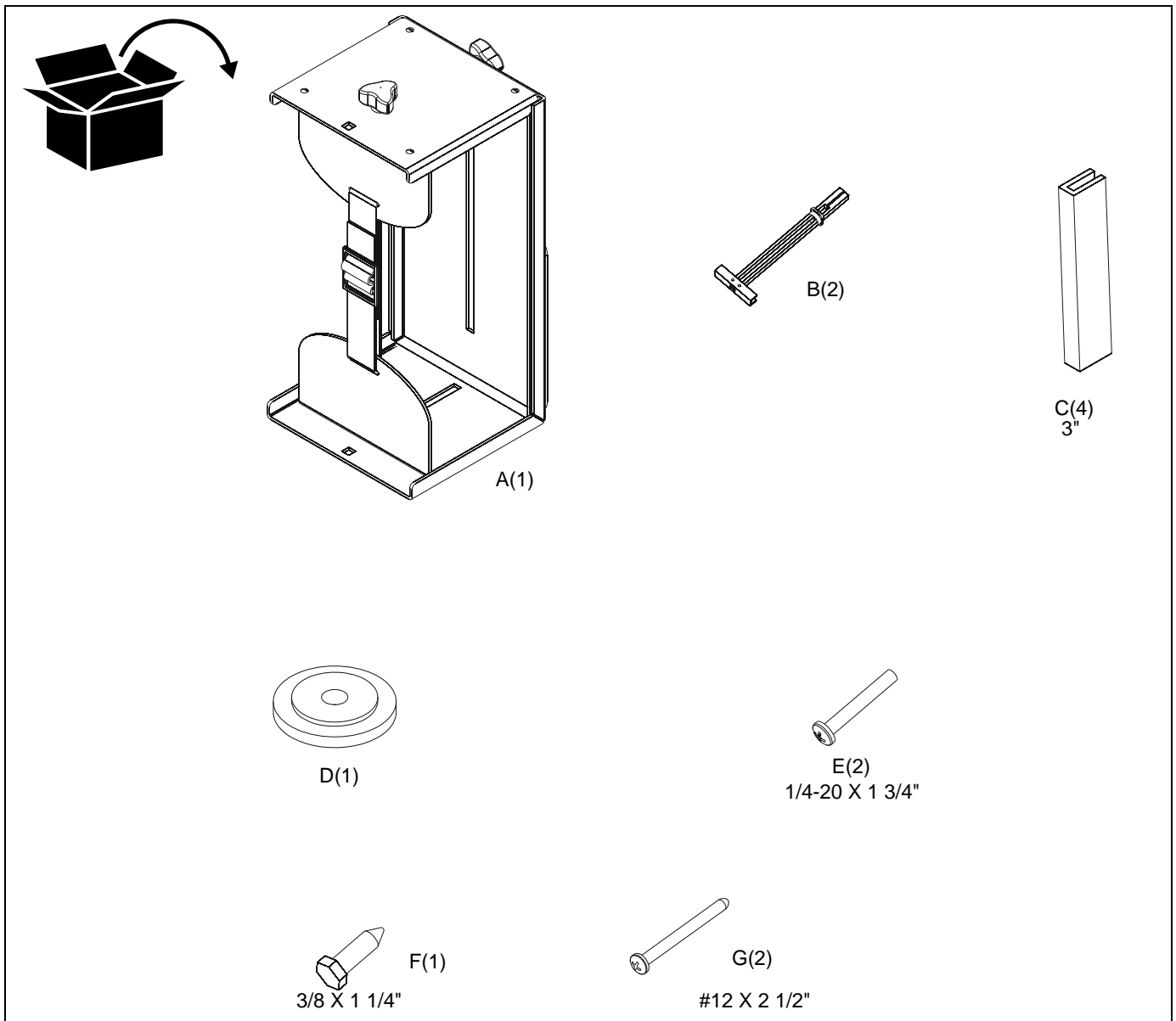
**LEGEND**

|   |  |  |  |
|---|--|--|--|
|    | <p><b>Tighten Fastener</b><br/>                     Apretar elemento de fijación<br/>                     Befestigungsteil festziehen<br/>                     Apertar fixador<br/>                     Serrare il fissaggio<br/>                     Bevestiging vastdraaien<br/>                     Serrez les fixations</p>                  |    | <p><b>Pencil Mark</b><br/>                     Marcar con lápiz<br/>                     Stiftmarkierung<br/>                     Marcar com lápis<br/>                     Segno a matita<br/>                     Potloodmerkten<br/>                     Marquage au crayon</p>                   |
|    | <p><b>Loosen Fastener</b><br/>                     Aflojar elemento de fijación<br/>                     Befestigungsteil lösen<br/>                     Desapertar fixador<br/>                     Allentare il fissaggio<br/>                     Bevestiging losdraaien<br/>                     Desserrez les fixations</p>                 |    | <p><b>Drill Hole</b><br/>                     Perforar<br/>                     Bohrloch<br/>                     Fazer furo<br/>                     Praticare un foro<br/>                     Gat boren<br/>                     Percez un trou</p>   |
|   | <p><b>Phillips Screwdriver</b><br/>                     Destornillador Phillips<br/>                     Kreuzschlitzschraubendreher<br/>                     Chave de fendas Phillips<br/>                     Cacciavite a stella<br/>                     Kruiskopschroevendraaier<br/>                     Tournevis à pointe cruciforme</p> |   | <p><b>Adjust</b><br/>                     Ajustar<br/>                     Einstellen<br/>                     Ajustar<br/>                     Regolare<br/>                     Afstellen<br/>                     Ajuster</p>   |
|  | <p><b>Open-Ended Wrench</b><br/>                     Llave de boca<br/>                     Gabelschlüssel<br/>                     Chave de bocas<br/>                     Chiave a punte aperte<br/>                     Steeksleutel<br/>                     Clé à fourche</p>   |  | <p><b>Remove</b><br/>                     Quitar<br/>                     Entfernen<br/>                     Remover<br/>                     Rimuovere<br/>                     Verwijderen<br/>                     Retirez</p>  |
|  | <p><b>By Hand</b><br/>                     A mano<br/>                     Von Hand<br/>                     Com a mão<br/>                     A mano<br/>                     Met de hand<br/>                     À la main</p>   |  | <p><b>Optional</b><br/>                     Opcional<br/>                     Optional<br/>                     Opcional<br/>                     Opzionale<br/>                     Optie<br/>                     En option</p>  |
|  | <p><b>Hex-Head Wrench</b><br/>                     Llave de cabeza hexagonal<br/>                     Sechskantschlüssel<br/>                     Chave de cabeça sextavada<br/>                     Chiave esagonale<br/>                     Zeskantsleutel<br/>                     Clé à tête hexagonale</p>                                 |  | <p><b>Security Wrench</b><br/>                     Llave de seguridad<br/>                     Sicherheitsschlüssel<br/>                     Chave de segurança<br/>                     Chiave di sicurezza<br/>                     Veiligheidsleutel<br/>                     Clé de sécurité</p> |

**TOOLS REQUIRED FOR INSTALLATION**



**PARTS**



## ASSEMBLY AND INSTALLATION

### Installation of Protective Rubber Edging

1. Place four strips of protective rubber edging (C) over the sharp edges located on the top and bottom of the mount (A). (See Figure 1)

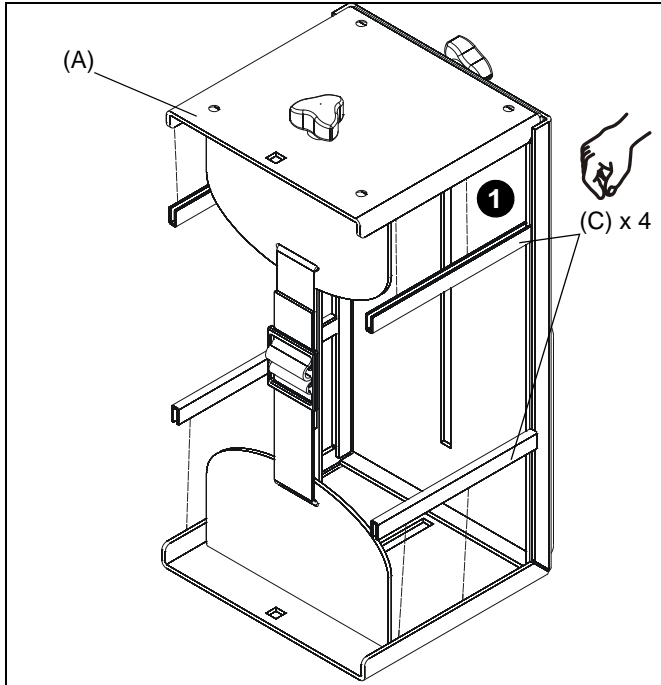


Figure 1

### CPU Installation

1. Release bracket from mount by moving the flag to the open position. (See Figure 2)
2. Remove bracket from mounting buttons on back of mount. (See Figure 2)

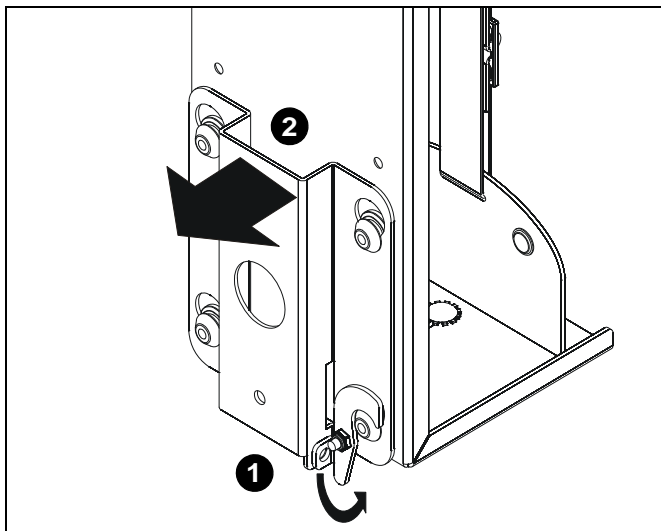


Figure 2

3. If hanging mount underneath desk, remove mounting

buttons to reinstall them in the holes in which they will be used.

- If mounting vertically, move mounting buttons in the four holes on top of the mount. (See Figure 3)
- If mounting horizontally, move mounting buttons in the top four holes on the back. (See Figure 3)

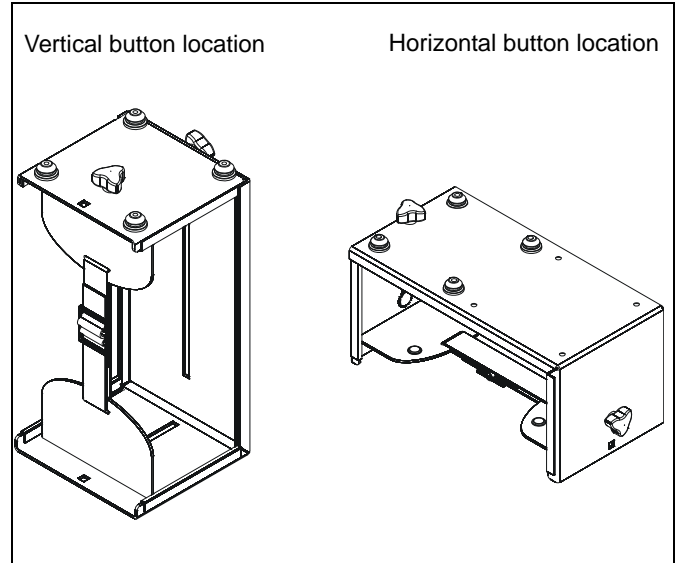


Figure 3

4. Loosen adjustment knob at the back of the mounting unit and adjust height of mount to a height greater than the height of the CPU to be installed. Loosen strap at the front of the mount if necessary. (See Figure 4)

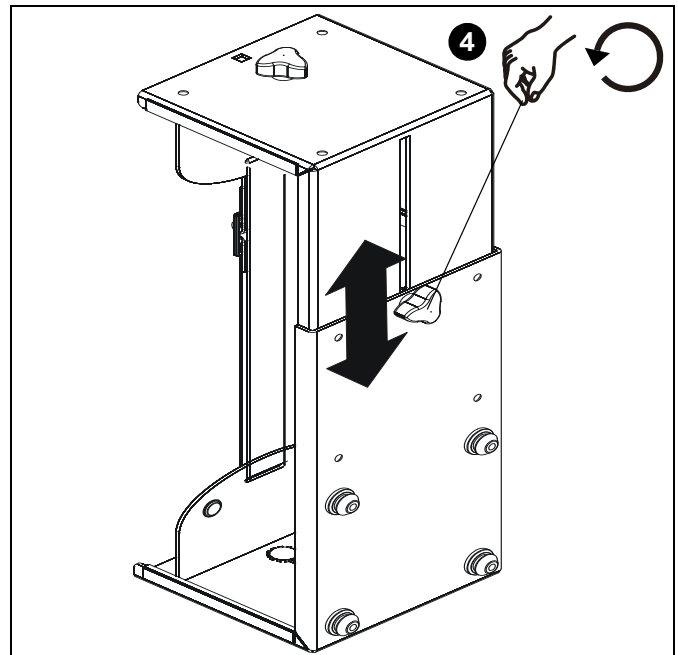


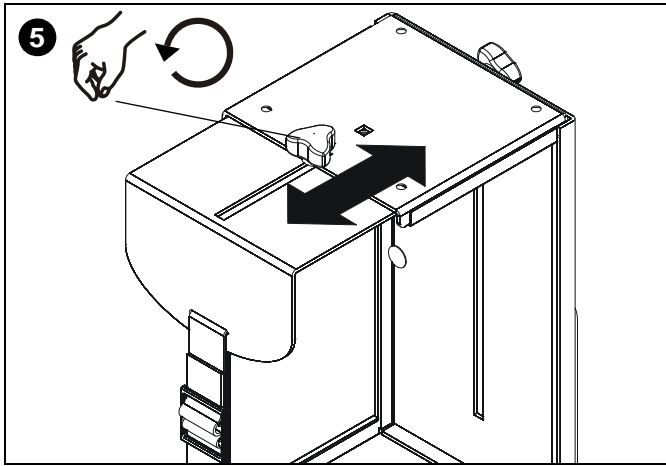
Figure 4

5. Loosen adjustment knobs on top and bottom of the mount and slide flanges in order to allow for the CPU to be inserted for mounting. (See Figure 5)

**NOTE:** Top and bottom knobs can be removed and inserted into the front square holes in order to allow for large

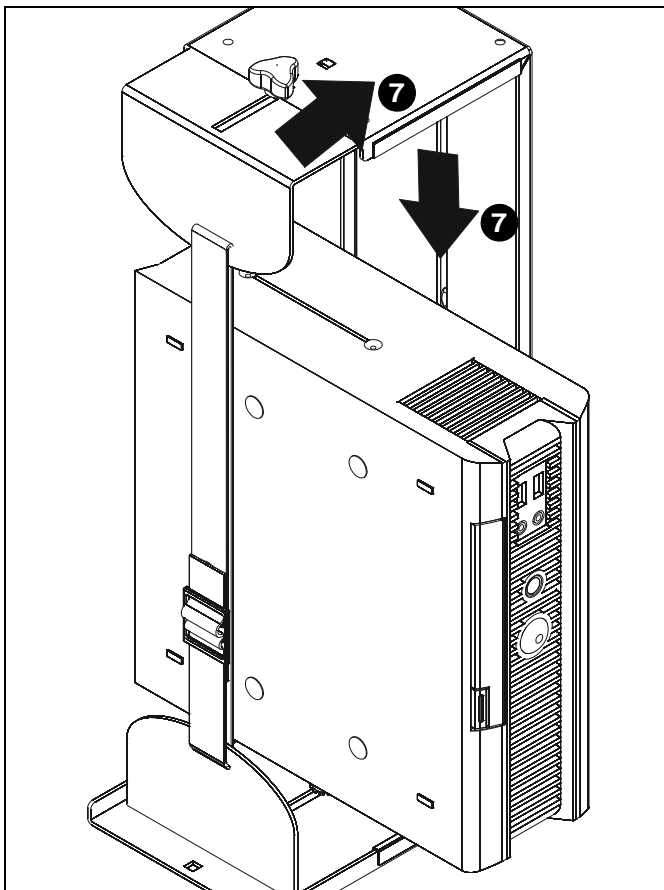
CPU's to be installed. (See Figure 5)

**NOTE:** Flanges may be reversed in order to allow for narrow CPU's to be installed in a secure manner. If this is done, be sure to also to remove and reinstall strap so that the buckle is facing out for easy adjustment.



**Figure 5**

6. Set CPU within mount (A). (See Figure 6)
7. Use adjustment knobs to compress mount around CPU until CPU is tightly secured within mount (A). (See Figure 6)



**Figure 6**

8. Tighten front strap to desired tension.

## WALL MOUNT INSTALLATION

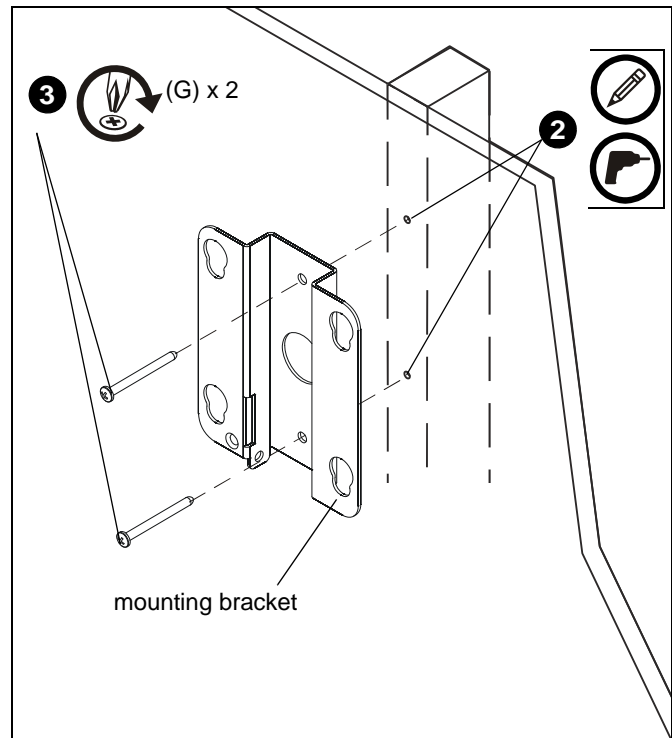


**WARNING:** FAILURE TO PROVIDE ADEQUATE STRUCTURAL STRENGTH FOR THIS MOUNT CAN RESULT IN SERIOUS PERSONAL INJURY OR DAMAGE TO EQUIPMENT! It is the installer's responsibility to make sure the structure to which this mount is attached can support five times the combined weight of the mount and all equipment attached to it. Reinforce the structure as required before installing the mount.

**NOTE:** Mount may be installed using wood studs, steel studs or it may be installed directly into drywall. For steel stud and drywall installation, proceed ahead to Site Requirements for Using Steel Studs section. For desk mounting, proceed ahead to Desk Mounting Installation section.

### Mount Installation Using Wood Studs

1. Determine location for mount keeping in mind CPU size and safety requirements.
2. Using the removed mounting bracket as a template, mark and then drill two 7/64" diameter pilot holes through top and bottom holes of wall bracket into wall structure. (See Figure 7)



**Figure 7**

3. Install two #12 x 2 1/2" round Phillips wood screws (G) through bracket and drywall into wood stud. (See Figure 7)
4. Ensure bracket is vertical, then tighten screws (G).

**NOTE:** Proceed ahead to Mounting CPU to Wall section to complete installation.

### Site Requirements for Using Steel Studs



**WARNING:** IMPROPER INSTALLATION CAN LEAD TO EQUIPMENT FALLING CAUSING SERIOUS PERSONAL INJURY OR DAMAGE TO EQUIPMENT! The figure below identifies the minimum requirements for installation of display mounts onto a steel stud structure. If the structure or its components do not meet these requirements contact the mount manufacturer for specific instructions before attempting installation. It should also be noted that no other equipment should be mounted to the same stud.

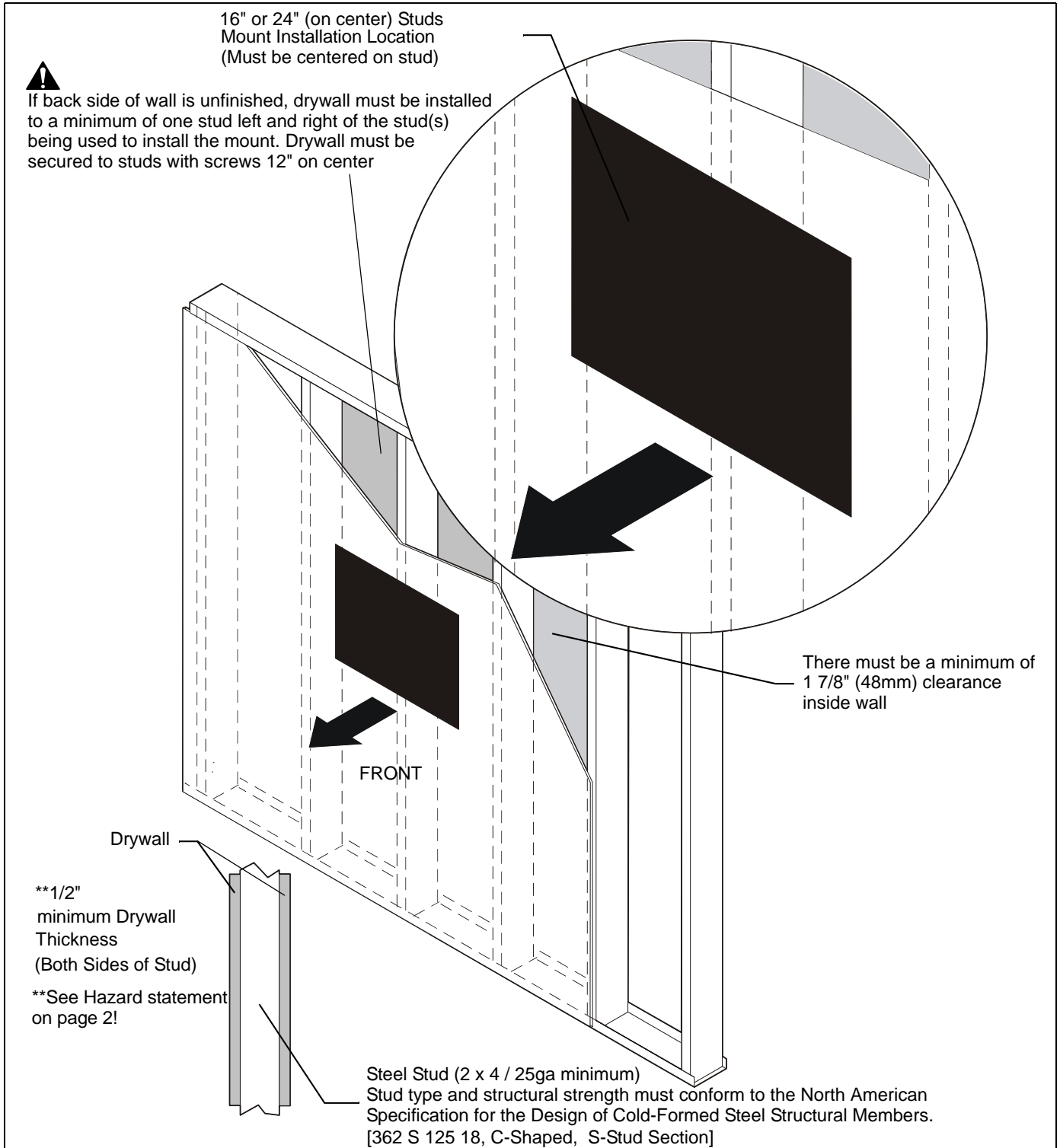


Figure 8

## Wall Mounting Using Steel Studs or Drywall

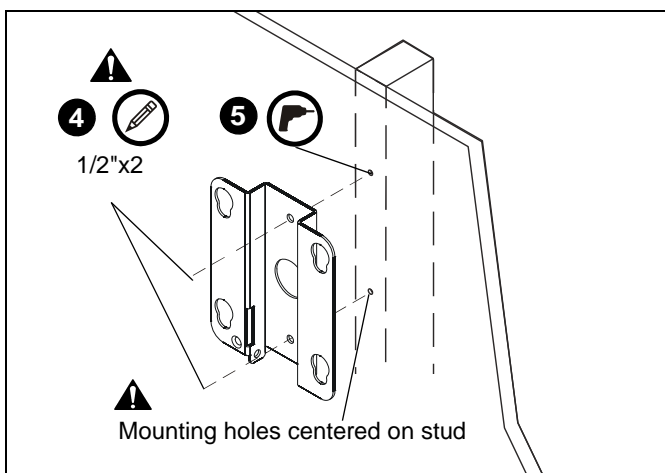
After determining the site meets the installation requirements:

1. Identify desired mounting location on wall.
2. Using a stud finder or similar method locate stud.
3. Align mounting holes in mount with stud making sure mounting holes are centered on stud. (See Figure 9)



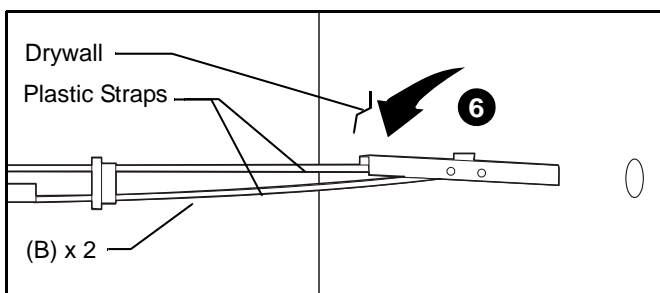
**WARNING:** IMPROPER INSTALLATION CAN LEAD TO EQUIPMENT FALLING CAUSING SERIOUS PERSONAL INJURY OR DAMAGE TO EQUIPMENT!

4. Mark location of two mounting holes on wall using the wall plate as a template. Mark holes where the top and bottom holes of the bracket will be connected. (See Figure 9)
5. Drill two 1/2" holes. (See Figure 9)



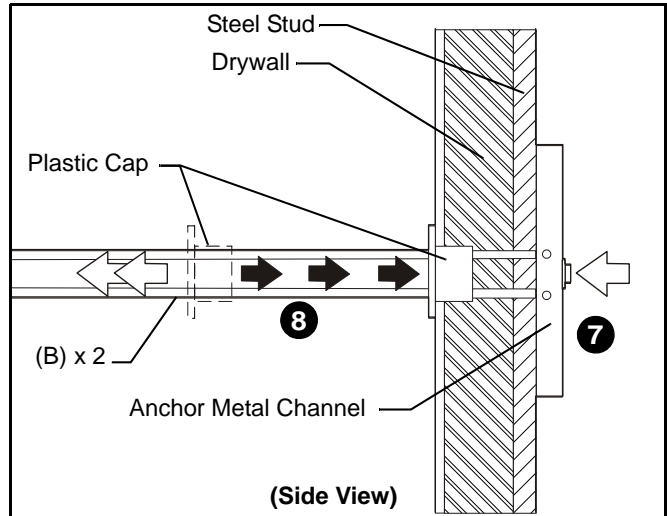
**Figure 9**

6. Hold metal channel on anchor (B) flat alongside plastic straps and slide channel through hole. (See Figure 10)



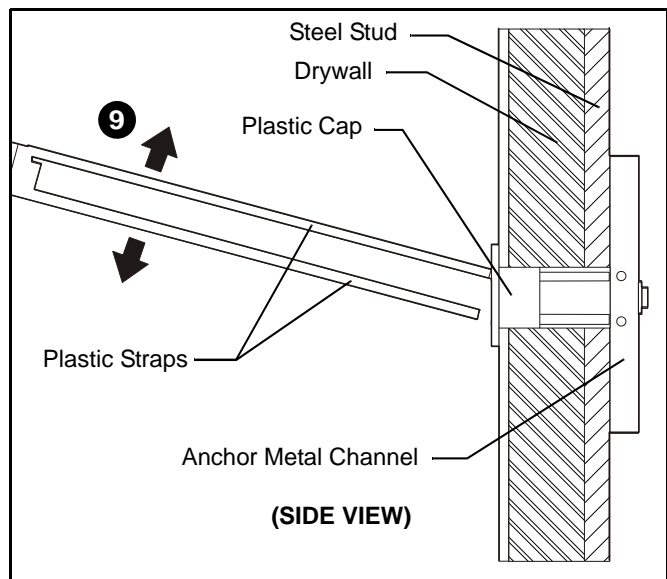
**Figure 10**

7. Holding plastic straps on anchor (B), pull anchor away from wall until channel rests flush behind wall making sure anchor channel is positioned vertically on stud. (See Figure 11)
8. Slide plastic cap on anchor (B) towards wall until flange of cap is flush with wall. (See Figure 11)



**Figure 11**

9. Snap off plastic straps on anchor at wall by pushing side to side, snapping off straps level with flange of plastic cap. (See Figure 12)
10. Repeat steps 6 through 9 for remaining mounting hole.



**Figure 12**

11. Place mounting bracket over anchors and align mounting holes in display mount with holes in anchors. (See Figure 13)
12. Insert 1/4-20 x 1-3/4" Phillips pan head screw (E) into mounting hole on mounting bracket and into anchor (B) and tighten until flush against mounting bracket. DO NOT overtighten! (See Figure 13)
13. Repeat steps 11 through 13 for remaining mounting hole.



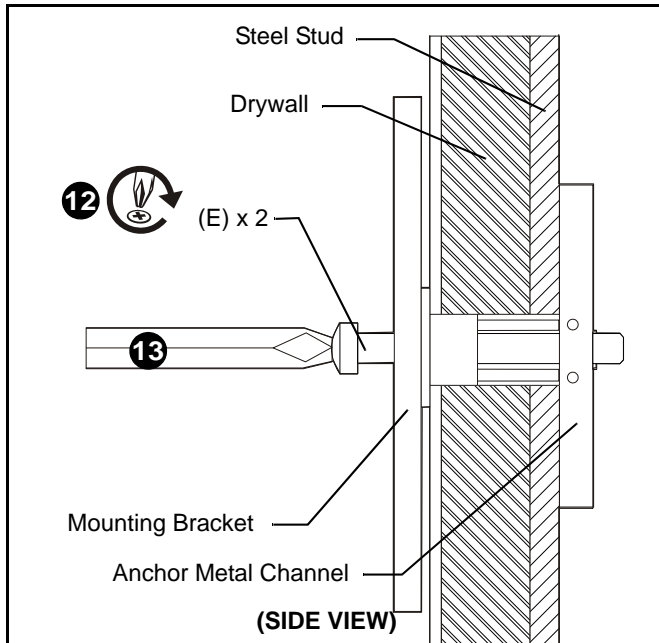


Figure 13

**Mounting CPU to Wall**



**CAUTION:** Overtightening screws may cause wall bracket to compress into soft wall surface resulting in difficult mount installation.

1. Ensure bracket flag is in the open position. (See Figure 2)
2. Insert mounting buttons into the four large mounting holes on the bracket. (See Figure )

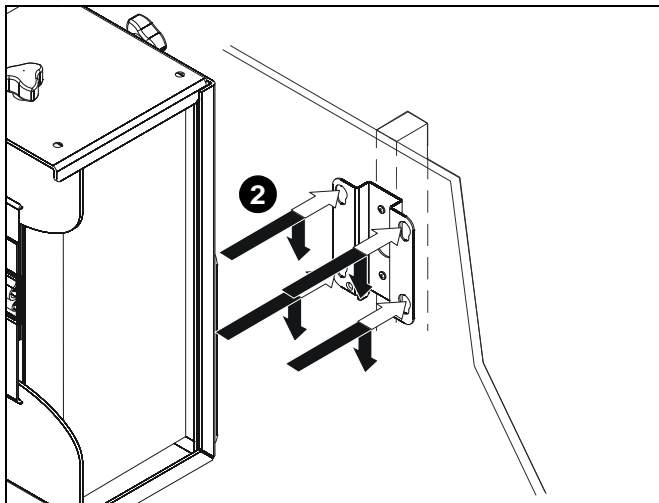


Figure 14

3. Move flag to closed position in order to fully secure mount to bracket. (See Figure 15)

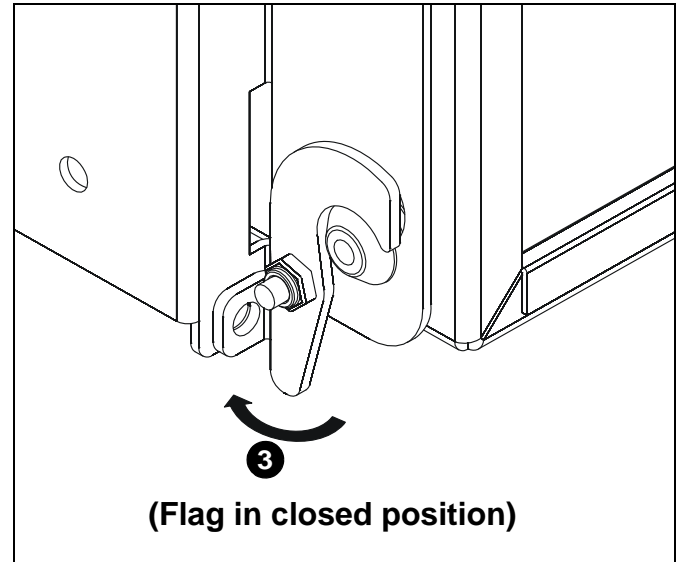


Figure 15

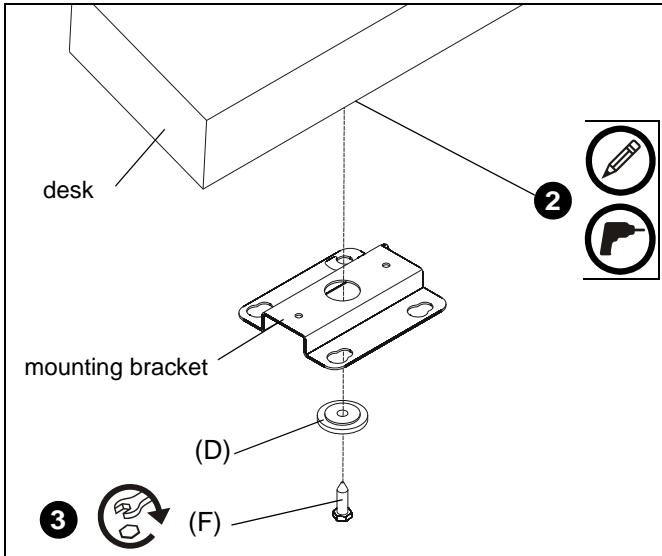
**Desk Mount Installation**



**WARNING:** Failure to provide adequate structural strength for this component can result in serious personal injury or damage to equipment! It is the installer's responsibility to make sure the desk to which this component is attached can support five times the combined weight of all equipment. Reinforce the structure as required before installing the component.

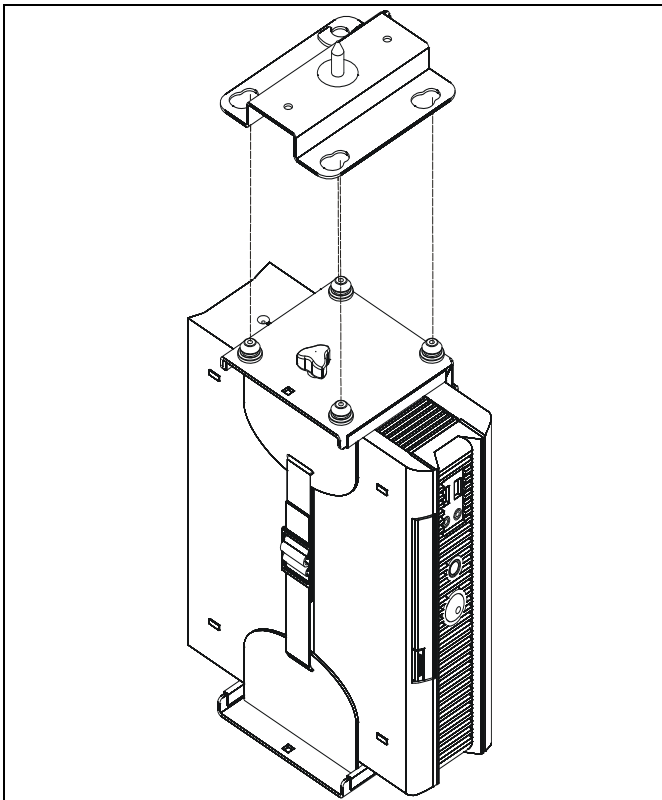
**NOTE:** The following instructions are for mounting with full 360° swivel capability for easy cord access. If this capability is not desired, connect mounting bracket using two screws as demonstrated in the wall mounting instructions.

1. Determine location for mount keeping in mind CPU size and safety requirements.
2. Using bracket and bearing (D) as a template, mark and drill one 17/64" diameter pilot hole through underside of desk at desired mounting location. Ensure entire mount will clear the outer edge of desk. (See Figure 16)



**Figure 16**

3. Install 3/8 x 1 1/4" hex head lag screw (F) through bearing (D) and bracket into hole drilled in Step 2. (See Figure 16)
4. Ensure bracket flag is in the open position.
5. Insert four mounting buttons into four mounting holes on the bracket. (See Figure 17)



**Figure 17**

6. Slide buttons into locked position within holes.
7. Move flag to closed position in order to fully secure mount to bracket. (See Figure 15)





Our Mounts. **Your Vision.**

Chief Manufacturing, a division of  
Milestone AV Technologies

8834-000003  
©2008 Milestone AV Technologies  
[www.chiefmfg.com](http://www.chiefmfg.com)  
10/08

|                          |  |
|--------------------------|--|
| <b>USA/International</b> | <b>A</b> 8401 Eagle Creek Parkway, Savage, MN 55378<br><b>P</b> 800.582.6480 / 952.894.6280<br><b>F</b> 877.894.6918 / 952.894.6918  |
| <b>Europe</b>            | <b>A</b> Fellenoord 130 5611 ZB EINDHOVEN, The Netherlands<br><b>P</b> +31 (0)40 2668620<br><b>F</b> +31 (0)40 2668615   |
| <b>Asia Pacific</b>      | <b>A</b> Room 24F, Block D, Lily YinDu International Building<br>LuoGang, BuJi Town, Shenzhen, CHINA.<br>深圳市布吉罗岗村百合银都国际大厦D栋24F<br><b>P</b> +86-755-8996 9226<br><b>F</b> +86-755-8996 9217 |

## Free Manuals Download Website

<http://myh66.com>

<http://usermanuals.us>

<http://www.somanuals.com>

<http://www.4manuals.cc>

<http://www.manual-lib.com>

<http://www.404manual.com>

<http://www.luxmanual.com>

<http://aubethermostatmanual.com>

Golf course search by state

<http://golfingnear.com>

Email search by domain

<http://emailbydomain.com>

Auto manuals search

<http://auto.somanuals.com>

TV manuals search

<http://tv.somanuals.com>