



## FEATURES

- 1 CENTRIS™ TECHNOLOGY**  
**PATENTED FEATURE**  
Provides smooth fingertip tilt in all directions using the screen's center of gravity. Screen angle stays set until you decide to re-adjust.
- 2 ADVANCED DISPLAY MOUNTING**  
Teardrop hole pattern makes mounting the screen quick and easy.
- 3 INDEPENDENT ADJUSTMENT**  
Adjust each screen independently for ergonomic alignment.
- 4 CABLE MANAGEMENT**  
Conceal and protect cables using snap-on covers and cable clip



## SPECIFICATIONS

Pole Height	14" (356 mm)
Max. Width Per Monitor	22.7" (577 mm)
Max. Height Per Monitor	26" (660 mm)
Tilt	±15°
Weight Capacity Per Monitor*	35 lbs (15.9 kg)
Grommet size	.38 - 3" (10 - 76 mm)
Colors	Black, Silver

\*Weight capacity given for KTG220. See [www.chieffmfg.com](http://www.chieffmfg.com) for more information on other product options.

## WHAT YOU NEED TO KNOW

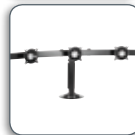
### OTHER PRODUCT OPTIONS



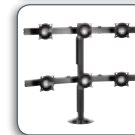
**KTG225**  
Widescreen Dual  
Hor. Grommet Mount



**KTG230**  
Dual Vertical  
Grommet Mount



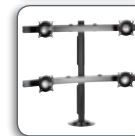
**KTG320**  
Triple Horizontal  
Grommet Mount



**KTG330**  
Six Monitor  
Grommet Mount

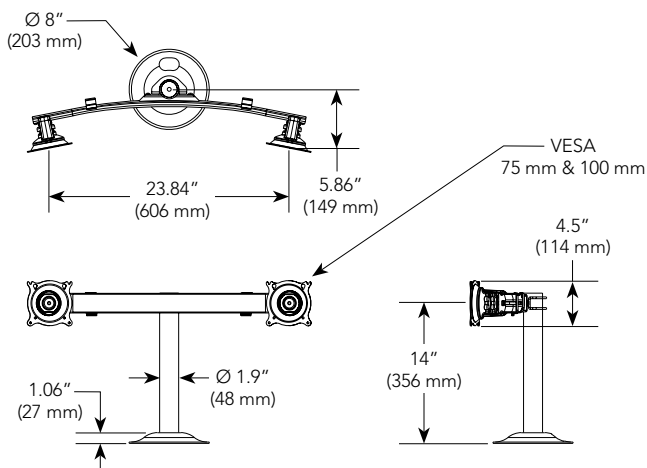


**KTG440**  
Triple Horizontal  
Grommet Mount



**KTG445**  
Quad Monitor  
Grommet Mount

## TECHNICAL DRAWINGS



## RECOMMENDED ACCESSORIES



**KSA1007** □ Centris Quick  
Release Interface



**KTA1001** □ Array Connector



**KTA1028** □ 28" Extension Column

For a complete list of monitor mount accessories see page 108.



CLICK

[www.chiefmfg.com](http://www.chiefmfg.com) Download from [Www.Somanuals.com](http://Www.Somanuals.com)



CALL

877.894.6918



FAX

877.894.6918

## Free Manuals Download Website

<http://myh66.com>

<http://usermanuals.us>

<http://www.somanuals.com>

<http://www.4manuals.cc>

<http://www.manual-lib.com>

<http://www.404manual.com>

<http://www.luxmanual.com>

<http://aubethermostatmanual.com>

Golf course search by state

<http://golfingnear.com>

Email search by domain

<http://emailbydomain.com>

Auto manuals search

<http://auto.somanuals.com>

TV manuals search

<http://tv.somanuals.com>