



DUAL MONITOR MOUNTS KTP220™ □ HORIZONTAL TABLE STAND



FEATURES

- 1 CENTRISTM TECHNOLOGY**
PATENTED FEATURE
Provides smooth fingertip tilt in all directions using the screen's center of gravity. Screen angle stays set until you decide to re-adjust.
- 2 ADVANCED DISPLAY MOUNTING**
Teardrop hole pattern makes mounting the screen quick and easy
- 3 STABLE BASE**
Heavy-duty, solid steel base and oversized pole for unmatched stability.
- 4 INDEPENDENT ADJUSTMENT**
Position each screen separately for ergonomic, horizontal alignment.
- 5 CABLE MANAGEMENT**
Conceal and protect cables using snap-on covers and cable clips.

WHAT YOU NEED TO KNOW

OTHER PRODUCT OPTIONS



KTP225
Widescreen Dual
Hor. Table Stand



KTP230
Dual Vertical
Table Stand



KTP320
Triple Horizontal
Table Stand



KTP440
Quad Monitor
Table Stand



KTP445
Widescreen Quad Monitor Table Stand

SPECIFICATIONS

Pole Height	14" (356 mm)
Max. Width Per Monitor	22.7" (577 mm)
Max. Height Per Monitor	26" (660 mm)
Tilt	±15°
Weight Capacity Per Monitor*	35 lbs (15.9 kg)
Colors	Black, Silver

* Weight capacity given for KTP220.
See www.chiefmfg.com for more information on other product options.

RECOMMENDED ACCESSORIES



KSA1007 □ Centris Quick
Release Interface

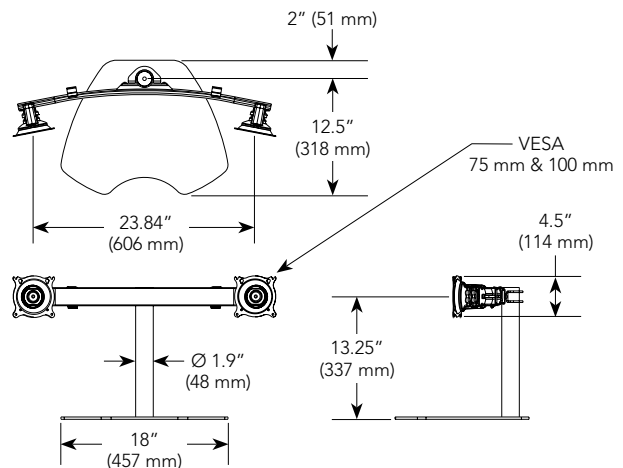


KTA1000 □ Grommet Bolt
Through Accessory



KTA1001 □ Array Connector

TECHNICAL DRAWINGS



For a complete list of monitor mount accessories see page 108.

Free Manuals Download Website

<http://myh66.com>

<http://usermanuals.us>

<http://www.somanuals.com>

<http://www.4manuals.cc>

<http://www.manual-lib.com>

<http://www.404manual.com>

<http://www.luxmanual.com>

<http://aubethermostatmanual.com>

Golf course search by state

<http://golfingnear.com>

Email search by domain

<http://emailbydomain.com>

Auto manuals search

<http://auto.somanuals.com>

TV manuals search

<http://tv.somanuals.com>