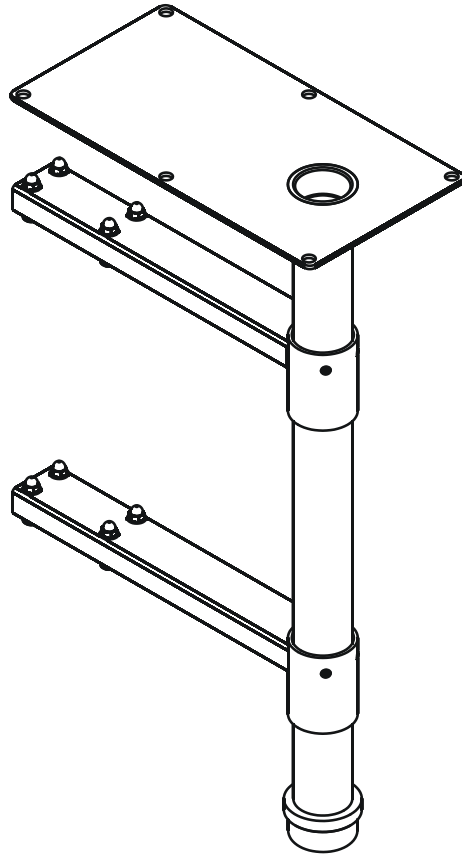


---

# INSTALLATION INSTRUCTIONS

---



---

## Multiple Projector Stacking System - Ceiling Mount

---

## DISCLAIMER

CSAV, Inc., and its affiliated corporations and subsidiaries (collectively, "CSAV"), intend to make this manual accurate and complete. However, CSAV makes no claim that the information contained herein covers all details, conditions or variations, nor does it provide for every possible contingency in connection with the installation or use of this product. The information contained in this document is subject to change without notice or obligation of any kind. CSAV makes no representation of warranty, expressed or implied, regarding the information contained herein. CSAV assumes no responsibility for accuracy, completeness or sufficiency of the information contained in this document.

## ! IMPORTANT WARNINGS AND CAUTIONS!



**WARNING:** A WARNING alerts you to the possibility of serious injury or death if you do not follow the instructions.



**CAUTION:** A CAUTION alerts you to the possibility of damage or destruction of equipment if you do not follow the corresponding instructions.



**WARNING:** Failure to read, thoroughly understand, and follow all instructions can result in serious personal injury, damage to equipment, or voiding of factory warranty! It is the installer's responsibility to make sure all components are properly assembled and installed using the instructions provided.

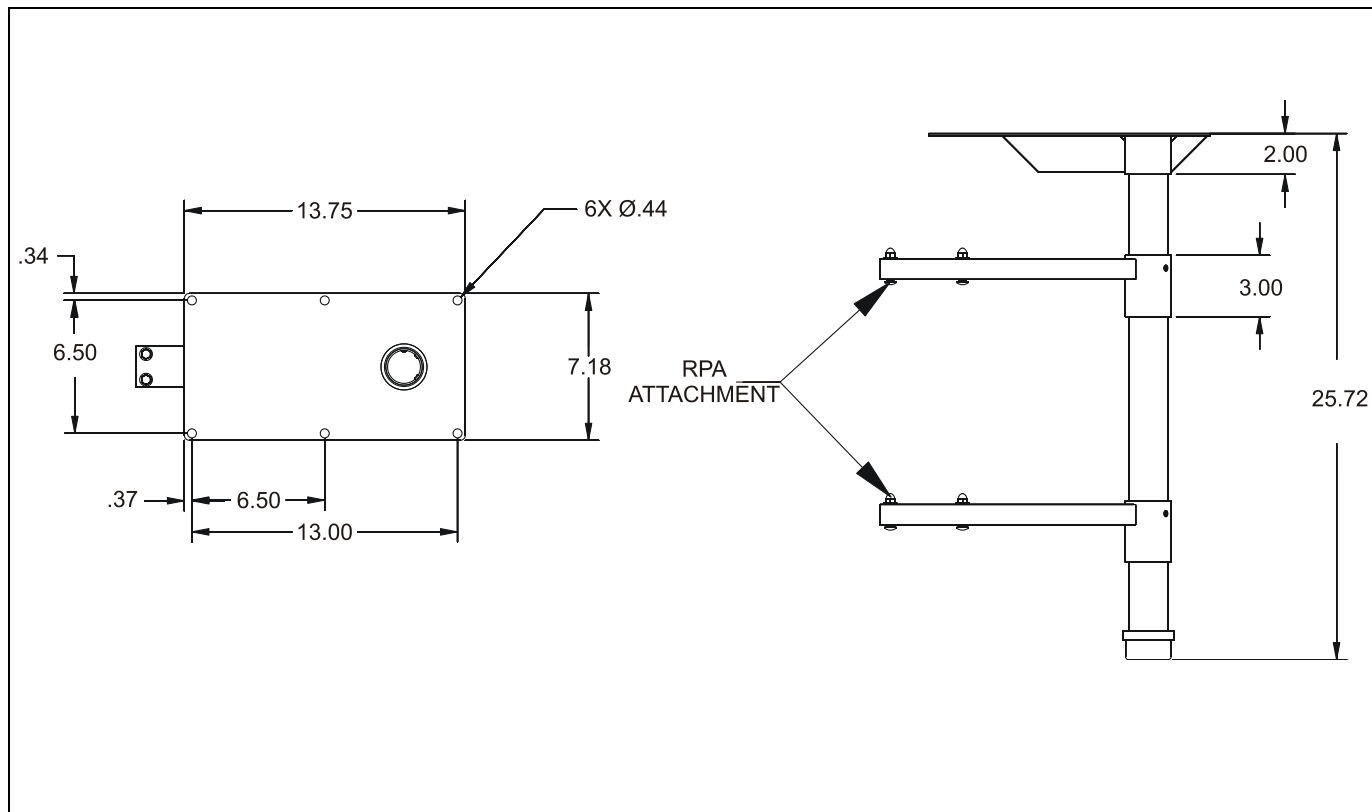


**WARNING:** Failure to provide adequate structural strength for this component can result in serious personal injury or damage to equipment! It is the installer's responsibility to make sure the structure to which this component is attached can support five times the combined weight of all equipment. Reinforce the structure as required before installing the component.



**WARNING:** Exceeding the weight capacity can result in serious personal injury or damage to equipment! It is the installer's responsibility to make sure the combined weight of all components including the display/projector does not exceed 100 lbs (45.4 kg).

## DIMENSIONS



**LEGEND**

	<b>Tighten Fastener</b>
	Apretar elemento de fijación
	Befestigungsteil festziehen
	Apertar fixador
	Serrare il fissaggio
	Bevestiging vastdraaien
	Serrez les fixations

	<b>Loosen Fastener</b>
	Aflojar elemento de fijación
	Befestigungsteil lösen
	Desapertar fixador
	Allentare il fissaggio
	Bevestiging losdraaien
	Desserrez les fixations

	<b>Phillips Screwdriver</b>
	Destornillador Phillips
	Kreuzschlitzschraubendreher
	Chave de fendas Phillips
	Cacciavite a stella
	Kruiskopschroevendraaier
	Tournevis à pointe cruciforme

	<b>Open-Ended Wrench</b>
	Llave de boca
	Gabelschlüssel
	Chave de bocas
	Chiave a punte aperte
	Steeksleutel
	Clé à fourche

	<b>By Hand</b>
	A mano
	Von Hand
	Com a mão
	A mano
	Met de hand
	À la main

	<b>Hex-Head Wrench</b>
	Llave de cabeza hexagonal
	Sechskantschlüssel
	Chave de cabeça sextavada
	Chiave esagonale
	Zeskantsleutel
	Clé à tête hexagonale

	<b>Pencil Mark</b>
	Marcar con lápiz
	Stiftmarkierung
	Marcar com lápis
	Segno a matita
	Potloodmerkten
	Marquage au crayon

	<b>Drill Hole</b>
	Perforar
	Bohrloch
	Fazer furo
	Praticare un foro
	Gat boren
	Percez un trou

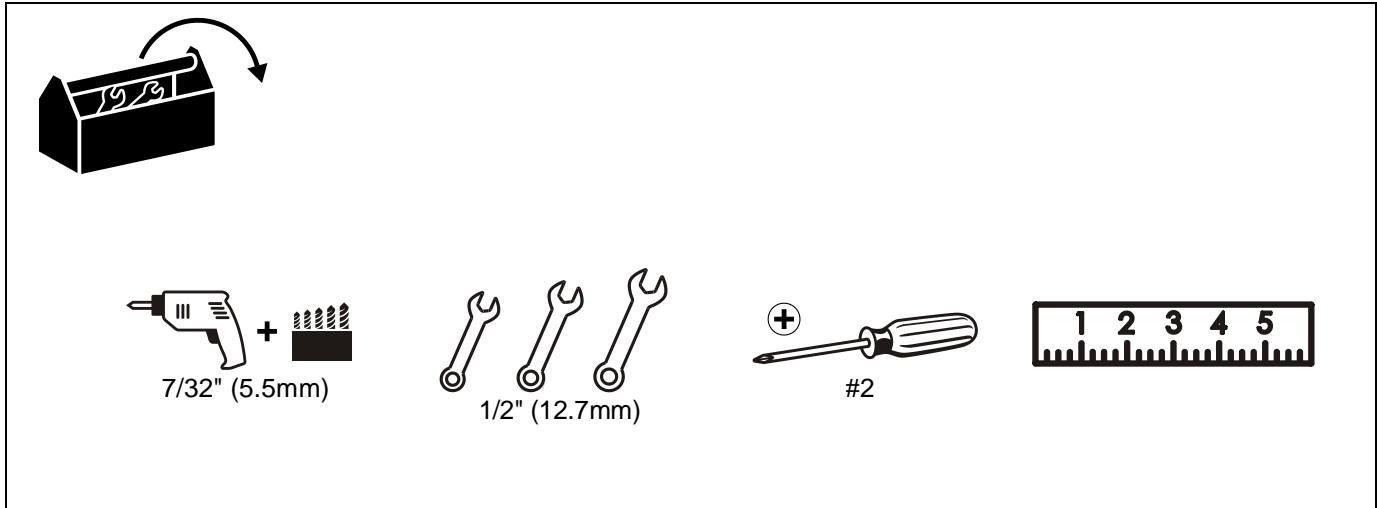
	<b>Adjust</b>
	Ajustar
	Einstellen
	Ajustar
	Regolare
	Afstellen
	Ajuster

	<b>Remove</b>
	Quitar
	Entfernen
	Remover
	Rimuovere
	Verwijderen
	Retirez

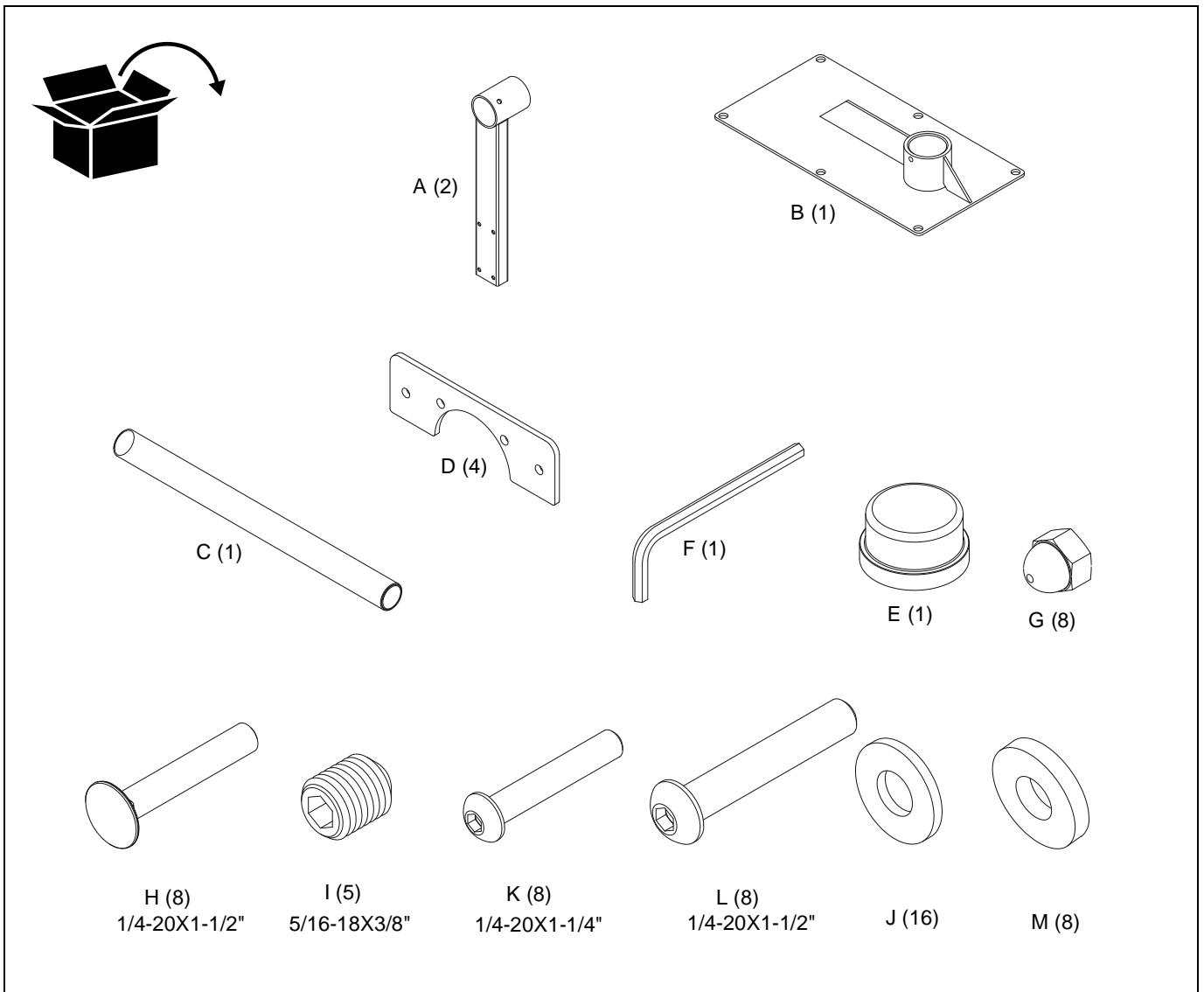
	<b>Optional</b>
	Opcional
	Optional
	Opcional
	Opzionale
	Optie
	En option

	<b>Security Wrench</b>
	Llave de seguridad
	Sicherheitsschlüssel
	Chave de segurança
	Chiave di sicurezza
	Veiligheidssleutel
	Clé de sécurité

**TOOLS REQUIRED FOR INSTALLATION**



**PARTS**



## Assembly And Installation

### For RPA Models Only



**WARNING:** Failure to provide adequate structural strength for this component can result in serious personal injury or damage to equipment! It is the installer's responsibility to make sure the structure to which this component is attached can support five times the combined weight of all equipment. Reinforce the structure as required before installing the component.

1. Mark the six mounting hole locations through the ceiling plate. (See Figure 1)
2. Drill six 7/32" holes.
3. Use six fasteners (not provided) to mount the ceiling plate to the appropriate structural ceiling. The 1-1/2" NPT pipe must be pointing down. (See Figure 1)

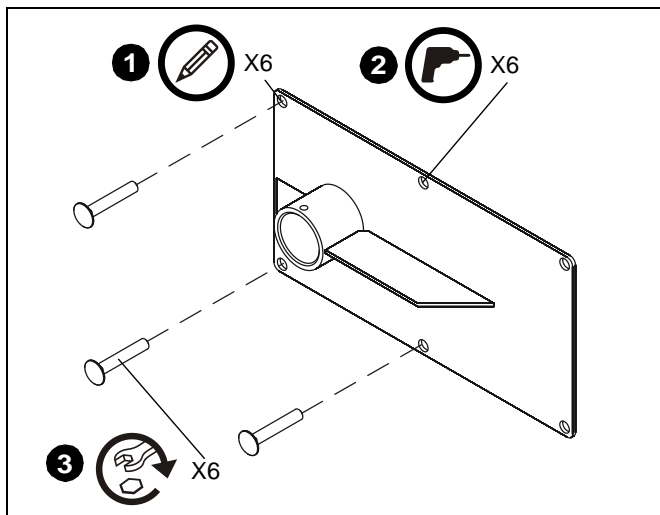


Figure 1

4. Thread the 1-1/2" NPT pipe (C) into the ceiling plate and tighten securely.
5. Secure NPT pipe to ceiling plate using one 5/16-18x3/8" set screw (I).
6. Attach RPA to projector arm (A) using four 1/4-20 X 1-1/2" carriage bolts (H), four 1/4-20 acorn nuts (G) and 1/4" flat washers (J). (See Figure 2)

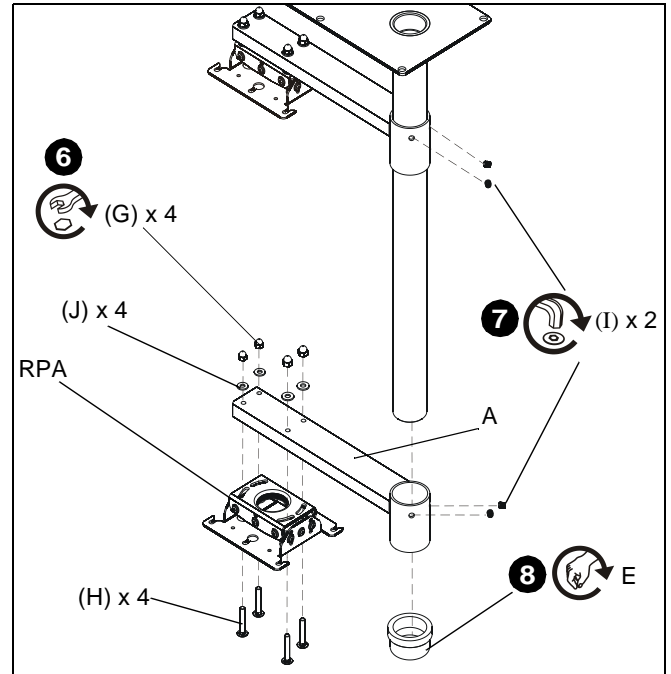


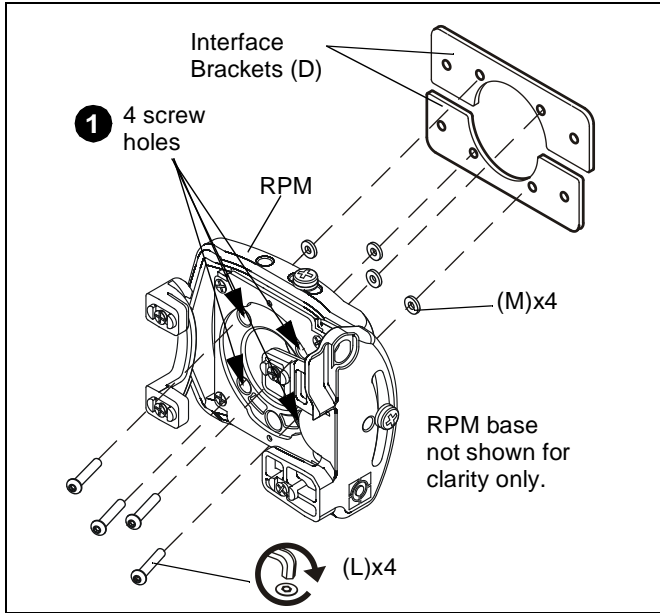
Figure 2

7. Slide both projector arms (A) onto the 1-1/2" vertical pipe section and secure using two 5/16-18 x 3/8" set screws (I) on each arm.
8. Thread 1-1/2" safety nut (E) onto threaded end of the 1-1/2" pipe section.
9. Mount projector hanging bracket to your projector (see RPA instructions).
10. Partially thread 10-24 thumbscrews onto 10-24 studs at top of hanger bracket plate. The quantity of thumbscrews may vary from three to six.
11. Align studs with key slots of RPA, slide RPA into place, and secure RPA by tightening thumbscrews.
12. Adjust projector for correct registration.

### For RPM Models Only

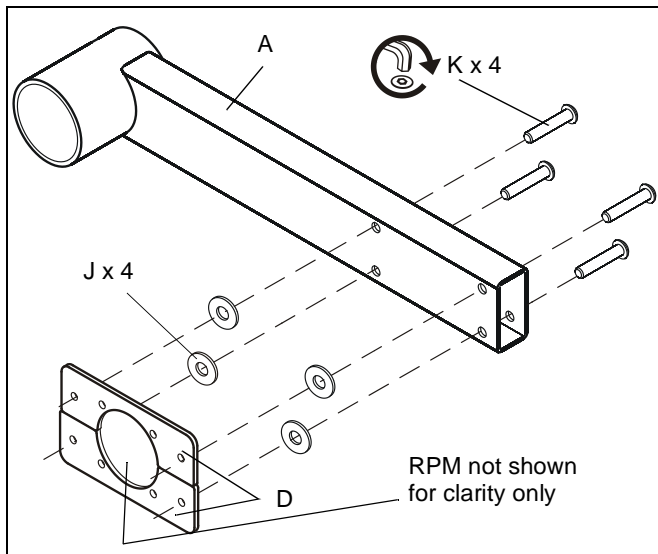
1. Proceed with Steps 1-5 under **For RPA Models Only**.
2. Place RPM on its top so that four screw holes are visible through the square in the RPM base. (See Figure 3)
3. Insert four 1/4"-20x1-1/2" (L) button head cap screws into the bottom of the RPM. (See Figure 3)

**NOTE:** The RPM base is not shown in Figure 3 for clarity only. It should NOT be removed for this installation process.



**Figure 3**

4. Place four nylon spacers (M) onto the screws as shown in Figure 3.
5. Tighten the screws through the nylon spacers and into the two interface brackets (D). (See Figure 3)
6. Insert four 1/4"-20x1-1/4" (K) button head cap screws from the top of the projector arm. (See Figure 4)



**Figure 4**

7. Place a 1/4" flat washer (J) onto each screw.
8. Hold the RPM (with interface brackets attached) to the bottom of the projector arm and tighten the screws through the washers and into the interface brackets.
9. Proceed with Steps 7 - 12 from **For RPA Models Only** section.





8804-000052 RevB  
©2006 Chief Manufacturing  
[www.chiefmfg.com](http://www.chiefmfg.com)  
11/06

<b>USA/International</b>	<b>A</b> 8401 Eagle Creek Parkway, Savage, MN 55378 <b>P</b> 800.582.6480 / 952.894.6280 <b>F</b> 877.894.6918 / 952.894.6918
<b>Europe</b>	<b>A</b> Fellenoord 130 5611 ZB EINDHOVEN, The Netherlands <b>P</b> +31 (0)40 2668620 <b>F</b> +31 (0)40 2668615
<b>Asia Pacific</b>	<b>A</b> Room 30I, Block D, Lily YinDu International Building LuoGang, BuJi Town, Shenzhen, CHINA. Post Code: 518112 深圳市布吉罗岗百合银都国际大厦D栋30I <b>P</b> +86-755-8996 9226 ; 8996 9236 ; 8996 9220 <b>F</b> +86-755-8996 9217



## Free Manuals Download Website

<http://myh66.com>

<http://usermanuals.us>

<http://www.somanuals.com>

<http://www.4manuals.cc>

<http://www.manual-lib.com>

<http://www.404manual.com>

<http://www.luxmanual.com>

<http://aubethermostatmanual.com>

Golf course search by state

<http://golfingnear.com>

Email search by domain

<http://emailbydomain.com>

Auto manuals search

<http://auto.somanuals.com>

TV manuals search

<http://tv.somanuals.com>