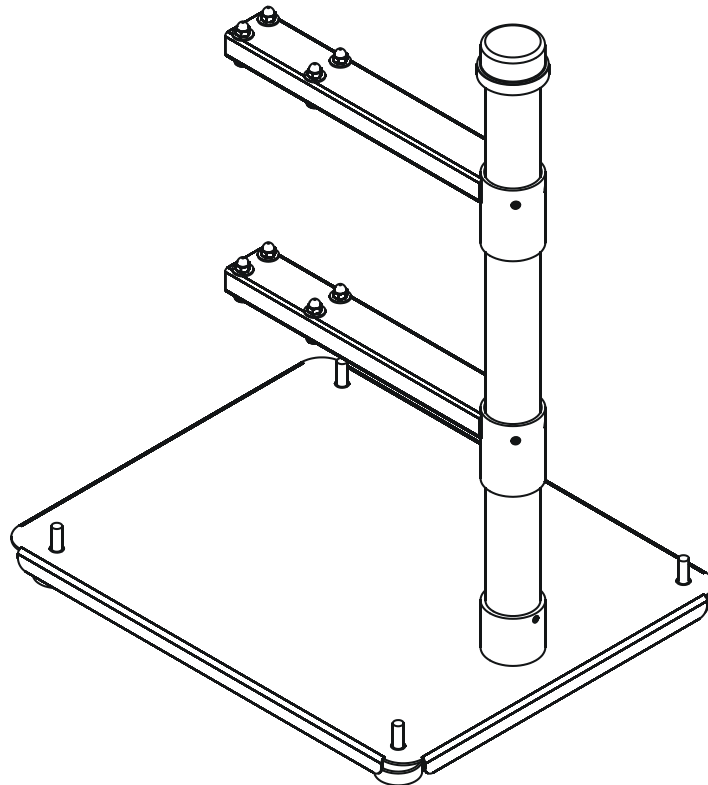

INSTALLATION INSTRUCTIONS



Multiple Projector Stacking System - Table Stand

DISCLAIMER

CSAV, Inc., and its affiliated corporations and subsidiaries (collectively, "CSAV"), intend to make this manual accurate and complete. However, CSAV makes no claim that the information contained herein covers all details, conditions or variations, nor does it provide for every possible contingency in connection with the installation or use of this product. The information contained in this document is subject to change without notice or obligation of any kind. CSAV makes no representation of warranty, expressed or implied, regarding the information contained herein. CSAV assumes no responsibility for accuracy, completeness or sufficiency of the information contained in this document.

! IMPORTANT WARNINGS AND CAUTIONS!

! WARNING: A WARNING alerts you to the possibility of serious injury or death if you do not follow the instructions.

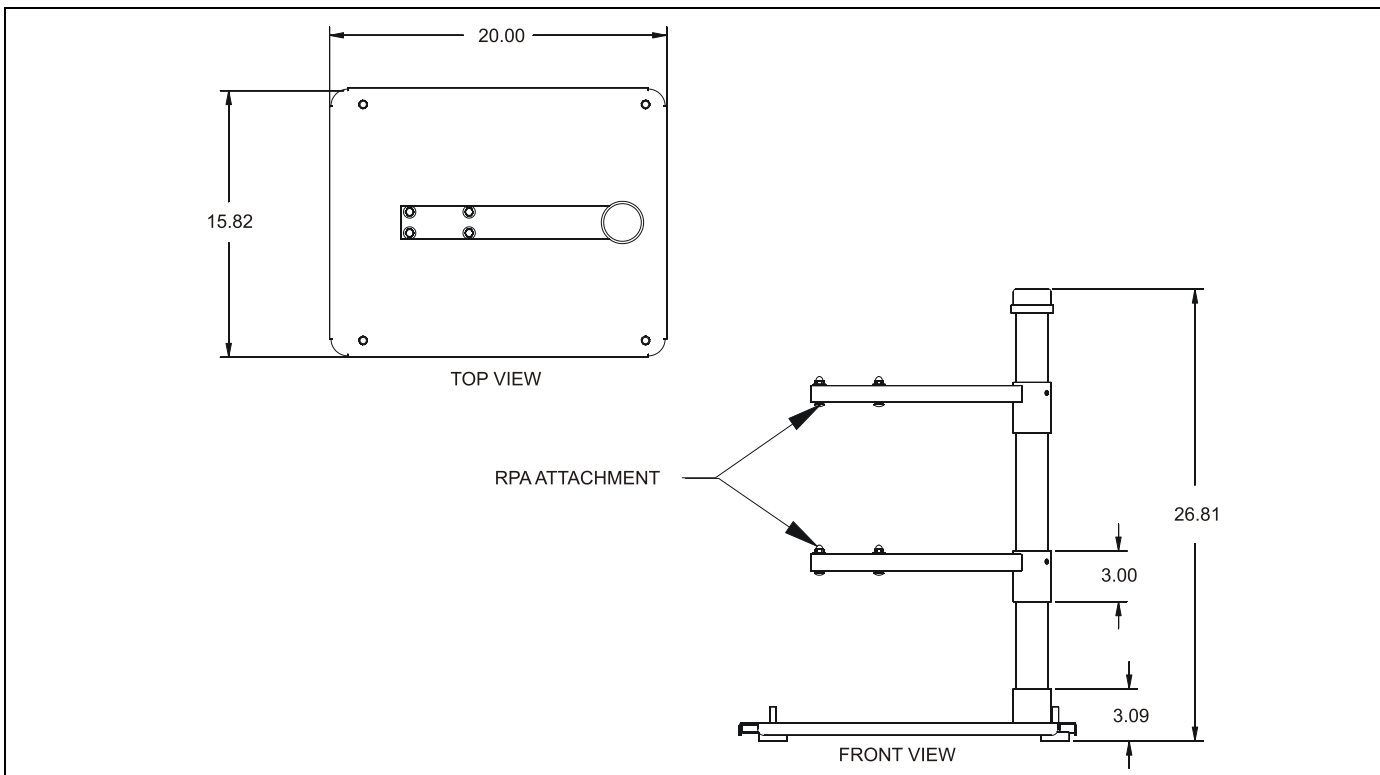
! CAUTION: A CAUTION alerts you to the possibility of damage or destruction of equipment if you do not follow the corresponding instructions.

! WARNING: Failure to read, thoroughly understand, and follow all instructions can result in serious personal injury, damage to equipment, or voiding of factory warranty! It is the installer's responsibility to make sure all components are properly assembled and installed using the instructions provided.

! WARNING: Failure to provide adequate structural strength for this component can result in serious personal injury or damage to equipment! It is the installer's responsibility to make sure the structure to which this component is attached can support five times the combined weight of all equipment. Reinforce the structure as required before installing the component.

! WARNING: Exceeding the weight capacity can result in serious personal injury or damage to equipment! It is the installer's responsibility to make sure the combined weight of all components including the display/projector does not exceed 100 lbs (45.4 kg).

DIMENSIONS



LEGEND

| | |
|--|------------------------------|
| | Tighten Fastener |
| | Apretar elemento de fijación |
| | Befestigungsteil festziehen |
| | Apertar fixador |
| | Serrare il fissaggio |
| | Bevestiging vastdraaien |
| | Serrez les fixations |

| | |
|--|--------------------|
| | Pencil Mark |
| | Marcar con lápiz |
| | Stiftmarkierung |
| | Marcar com lápis |
| | Segno a matita |
| | Potloodmerkten |
| | Marquage au crayon |

| | |
|--|------------------------------|
| | Loosen Fastener |
| | Aflojar elemento de fijación |
| | Befestigungsteil lösen |
| | Desapertar fixador |
| | Allentare il fissaggio |
| | Bevestiging losdraaien |
| | Desserrez les fixations |

| | |
|--|-------------------|
| | Drill Hole |
| | Perforar |
| | Bohrloch |
| | Fazer furo |
| | Praticare un foro |
| | Gat boren |
| | Percez un trou |

| | |
|--|-------------------------------|
| | Phillips Screwdriver |
| | Destornillador Phillips |
| | Kreuzschlitzschraubendreher |
| | Chave de fendas Phillips |
| | Cacciavite a stella |
| | Kruiskopschroevendraaier |
| | Tournevis à pointe cruciforme |

| | |
|--|---------------|
| | Adjust |
| | Ajustar |
| | Einstellen |
| | Ajustar |
| | Regolare |
| | Afstellen |
| | Ajuster |

| | |
|--|--------------------------|
| | Open-Ended Wrench |
| | Llave de boca |
| | Gabelschlüssel |
| | Chave de bocas |
| | Chiave a punta aperte |
| | Steeksleutel |
| | Clé à fourche |

| | |
|--|---------------|
| | Remove |
| | Quitar |
| | Entfernen |
| | Remover |
| | Rimuovere |
| | Verwijderen |
| | Retirez |

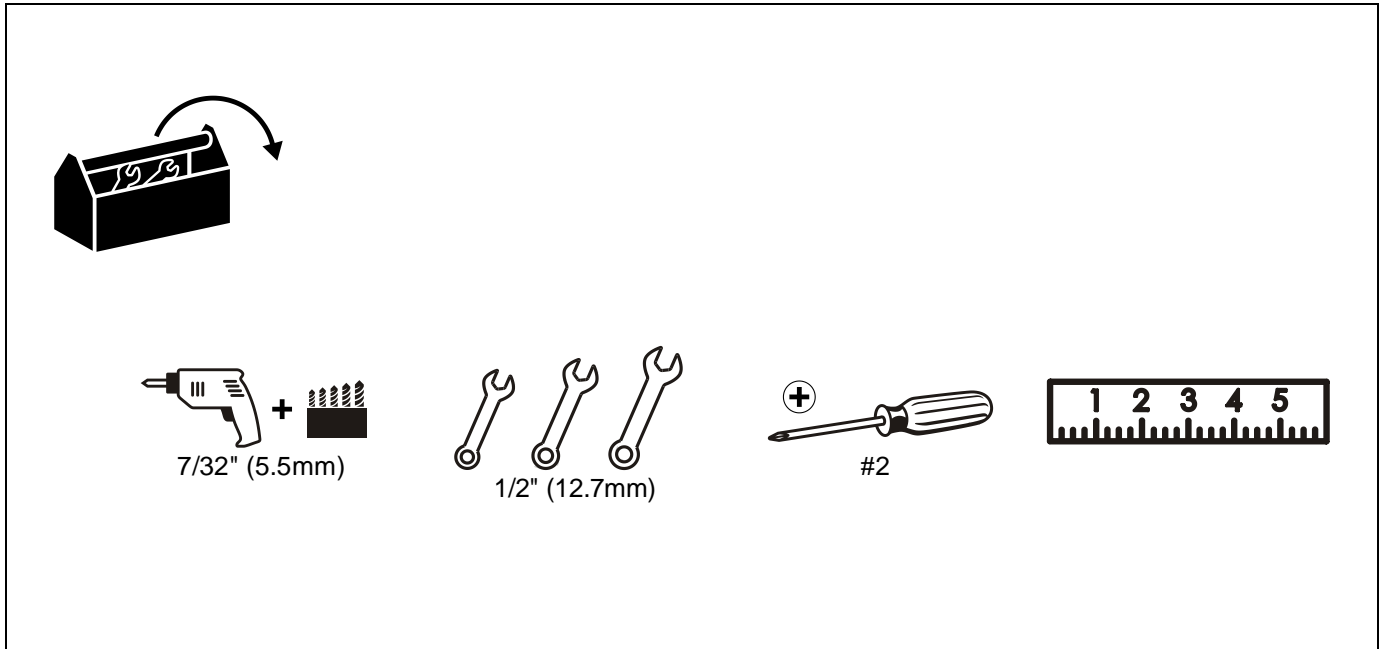
| | |
|--|----------------|
| | By Hand |
| | A mano |
| | Von Hand |
| | Com a mão |
| | A mano |
| | Met de hand |
| | À la main |

| | |
|--|-----------------|
| | Optional |
| | Opcional |
| | Optional |
| | Opcional |
| | Opzionale |
| | Optie |
| | En option |

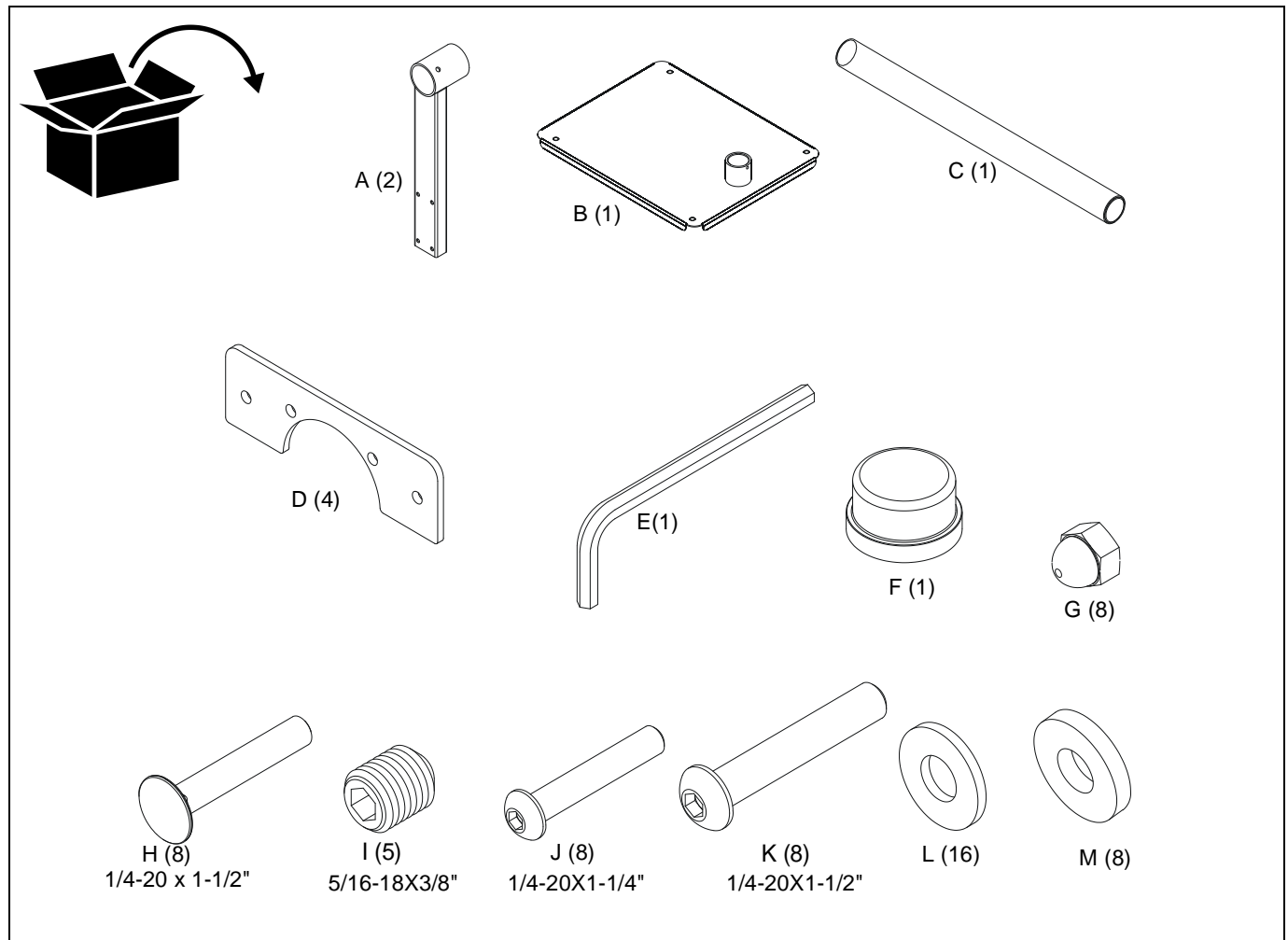
| | |
|--|---------------------------|
| | Hex-Head Wrench |
| | Llave de cabeza hexagonal |
| | Sechskantschlüssel |
| | Chave de cabeça sextavada |
| | Chiave esagonale |
| | Zeskantsleutel |
| | Clé à tête hexagonale |

| | |
|--|------------------------|
| | Security Wrench |
| | Llave de seguridad |
| | Sicherheitsschlüssel |
| | Chave de segurança |
| | Chiave di sicurezza |
| | Veiligheidsleutel |
| | Clé de sécurité |

TOOLS REQUIRED FOR INSTALLATION



PARTS



Assembly And Installation

For RPA Models Only



WARNING: Failure to provide adequate structural strength for this component can result in serious personal injury or damage to equipment. It is the installer's responsibility to make sure the structure to which this component is attached can support five times the combined weight of all equipment. Reinforce the structure as required before installing the component.

1. Set the base plate (B) on a flat stable work surface and adjust the feet as necessary.
2. Thread the 1-1/2" pipe section (C) into the base plate and tighten.
3. Secure NPT pipe to base plate using one 5/16-18 x 3/8" set screw (I).
4. Attach RPA to projector arm (A) using four 1/4-20 X 1-1/2" carriage bolts (H), four 1/4-20 acorn nuts (G) and 1/4" flat washers (L). (See Figure 1)

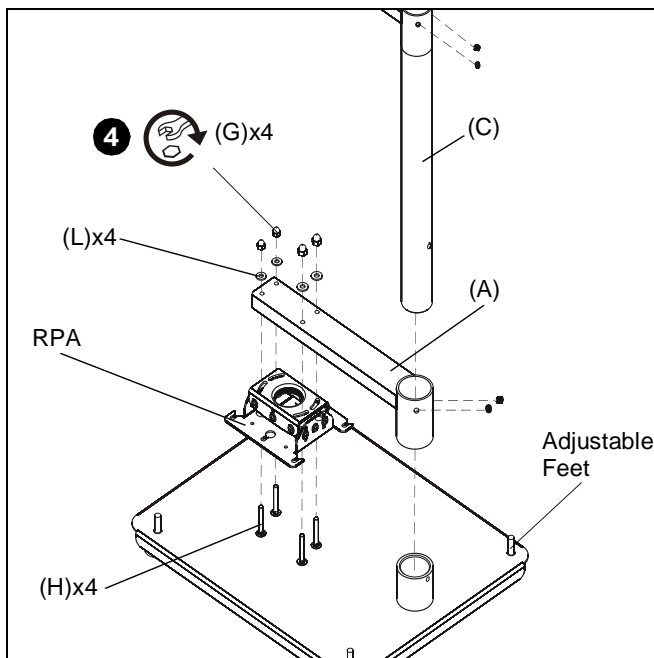


Figure 1

5. Slide both projector arms (A) onto the 1-1/2" vertical pipe section (C) and secure using two 5/16-18 x 3/8" set screws (I) on each arm. (See Figure 2)
6. Thread 1-1/2" safety nut (F) onto threaded end of the 1-1/2" pipe section. (See Figure 2)
7. Mount projector hanging bracket to your projector (see RPA instructions).
8. Partially thread 10-24 thumbscrews onto 10-24 studs at top of hanger bracket plate. The quantity of thumbscrews may vary from three to six.
9. Align studs with key slots of RPA, slide RPA into place, and secure RPA by tightening thumbscrews.

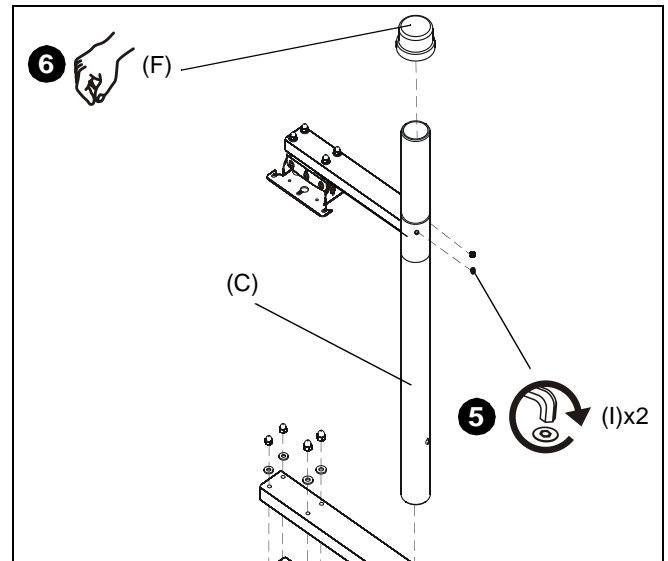


Figure 2

10. Adjust projector for correct registration.

For RPM Models Only

1. Proceed with Steps 1-3 under **For RPA Models Only**.
2. Place RPM on its top so that four screw holes are visible through the square in the RPM base. (See Figure 3)
3. Insert four 1/4"-20x1-1/2" (K) button head cap screws into the bottom of the RPM. (See Figure 3)

NOTE: The RPM base is not shown in Figure 3 for clarity only. It should NOT be removed for this installation process.

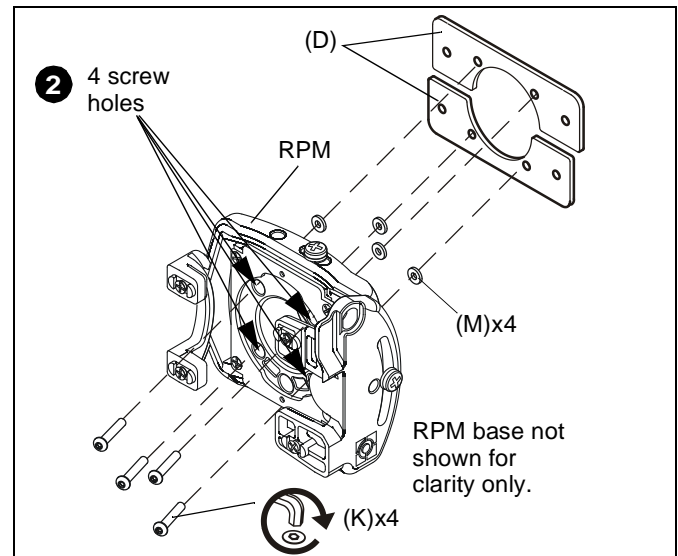


Figure 3

4. Place four nylon spacers (M) onto the screws as shown in Figure 3.
5. Tighten the screws through the nylon spacers and into the two interface brackets (D). (See Figure 3)

6. Insert four 1/4"-20x1-1/4" (J) button head cap screws from the top of the projector arm. (See Figure 4)

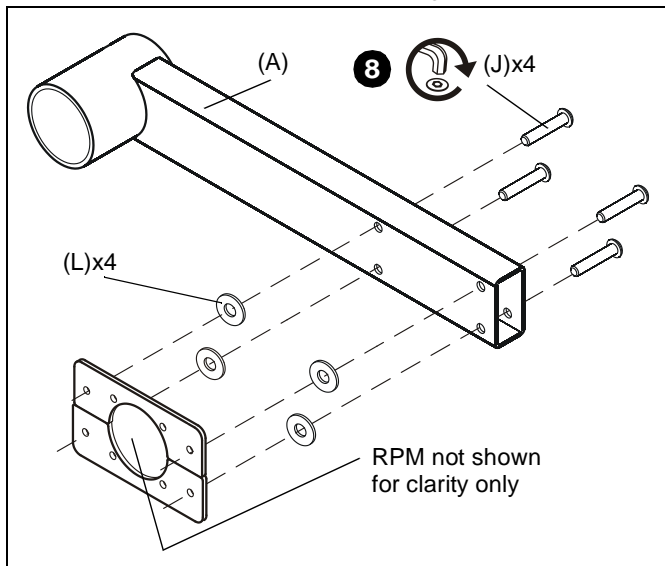


Figure 4

7. Place a 1/4" flat washer (L) onto each screw.
8. Hold the RPM (with interface brackets attached) to the bottom of the projector arm and tighten the screws through the washers and into the interface brackets.
9. Proceed with Steps 5 - 10 from **For RPA Models Only** section



8804-000053 RevA
©2006 Chief Manufacturing
www.chiefmfg.com
11/06

| | |
|--------------------------|---|
| USA/International | A 8401 Eagle Creek Parkway, Savage, MN 55378 P 800.582.6480 / 952.894.6280 F 877.894.6918 / 952.894.6918 |
| Europe | A Fellenoord 130 5611 ZB EINDHOVEN, The Netherlands P +31 (0)40 2668620 F +31 (0)40 2668615 |
| Asia Pacific | A Room 30I, Block D, Lily YinDu International Building LuoGang, BuJi Town, Shenzhen, CHINA. Post Code: 518112 深圳市布吉罗岗百合银都国际大厦D栋30I P +86-755-8996 9226 ; 8996 9236 ; 8996 9220 F +86-755-8996 9217 |

Free Manuals Download Website

<http://myh66.com>

<http://usermanuals.us>

<http://www.somanuals.com>

<http://www.4manuals.cc>

<http://www.manual-lib.com>

<http://www.404manual.com>

<http://www.luxmanual.com>

<http://aubethermostatmanual.com>

Golf course search by state

<http://golfingnear.com>

Email search by domain

<http://emailbydomain.com>

Auto manuals search

<http://auto.somanuals.com>

TV manuals search

<http://tv.somanuals.com>