

MOBILE CARTS AND STANDS



- Display Stands
- Display Carts
- Confidence Monitor Carts

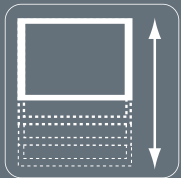
MOBILE CARTS AND STANDS

Convert any space into center stage! FUSION™ flat panel mobile carts and stands maximize flat panel display technology! Perfect for a wide range of applications, these products are packed with innovative features that put your presentation in focus. A light-weight collapsible design allows for easy positioning and transport.

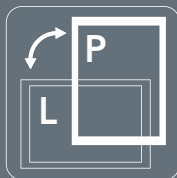
ORDERING OPTION

Universal (-U)

Mounts ending in "U" include an adjustable interface to adapt to random hole patterns.



Height Adjustment



Landscape to Portrait



Centris® Technology



Cable Management

OPTIONAL ACCESSORIES

PAC700™ CUSTOM TRAVEL CASE

This custom-designed travel case provides a convenient method for both storage and transportation of Chief's new mobile carts and stands.

- Tough, durable design
- Custom-designed interior cutouts
- Supports up to two PAC710 accessory shelves
- Integrated storage bin for hardware and tools



PAC710™ ACCESSORY SHELF

This new height-adjustable accessory shelf is designed specifically for use with Chief's new mobile carts and stands. Installs quickly without the use of tools.

- Infinitely height adjustable
- All steel construction
- Ships fully assembled – no tools required

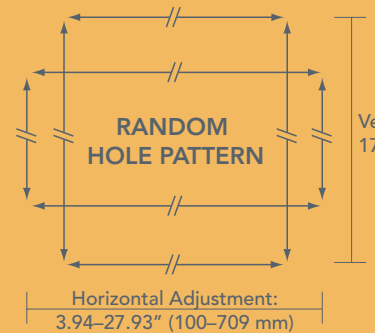


Custom product options also available

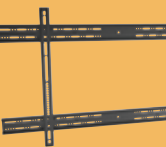
Large LCD & Plasma TVs



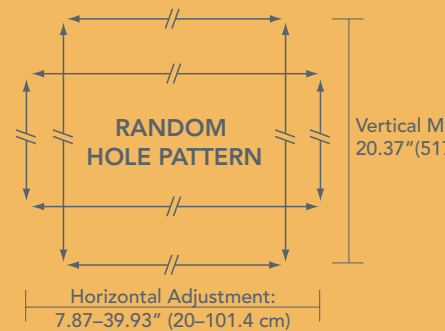
MSBU Universal Interface Bracket



Extra-Large LCD & Plasma TVs



PSBU Universal Interface Bracket



To specify color options, add S (silver) or B (Black).
FOR A COMPLETE LIST OF FLAT PANEL ACCESSORIES



DISPLAY STANDS

MF1U™

Display Stand, Single Display

W: 125 lbs (56.7 kg)
D: 28.6" x 7.6' x 31"
(79 x 19.3 x 81 cm)

T: +/-15°
H: 4 - 7' (1.2 - 2.1 m)
C: ■ □



MF2U (not pictured)
Display Stand Dual Display



DISPLAY CARTS

MFCU™

Mobile Cart, Single Display

W: 125 lbs (56.7 kg)
D: 31.1" x 6.6' x 32"
(79 x 16.7 x 81 cm)

T: +/-15°
H: 4 - 6' (1.2 - 1.8 m)
C: ■ □



PF2U™

Display Stand, Dual Display

W: 200 lbs (90.7 kg)
D: 28.6" x 7.8' x 31"
(79 x 19.8 x 81 cm)

T: +/-15°
H: 4 - 7' (1.2 - 2.1 m)
C: ■ □



PF1U (not pictured)
Display Stand, Single Display

PFCU™

Mobile Cart, Single Display

W: 200 lbs (90.7 kg)
D: 31.1" x 6.8' x 32"
(79 x 17.2 x 81 cm)

T: +/-15°
H: 4 - 6' (1.2 - 1.8 m)
C: ■ □





CONFIDENCE MONITOR CARTS

MFMU™

Confidence Monitor Cart

W: 125 lbs (56.7 kg)

D: 36.1" x 54.9" x 25.2"
(91.8 x 139.3 x 64.0 cm)

T: +45°/+15°

H: 3 - 4' (.9 - 1.2 m)

C: ■ □



MFQU (not pictured)

Flat Panel 2' - 2.5' Confidence Monitor Cart

PFQU™

Confidence Monitor Cart

W: 200 lbs (90.7 kg)

D: 36.1" x 29.5" x 25.2"
(91.8 x 75.1 x 64.0 cm)

T: +45°/+15°

H: 2 - 2.5' (.6 - .8 m)

C: ■ □



PFMU (not pictured)

Flat Panel 3' - 4' Confidence Monitor Cart



ACCESSORIES

PAC150™

Video Conferencing Shelf



PAC700™

Custom Designed
Travel Case



PAC710™

Accessory Shelf



PAC720™

Dual Display Accessory



PAC770™

Heavy Duty Casters



MOBILE CARTS AND STANDS



PORTRAIT/LANDSCAPE
DISPLAY POSITIONING



CENTRIS™ TECHNOLOGY
FINGERTIP ADJUSTABLE TILT



TELESCOPING HEIGHT
ADJUSTMENT



DUAL DISPLAY OPTION
(PAC720)

PFCU™

Mobile Cart, Single Display

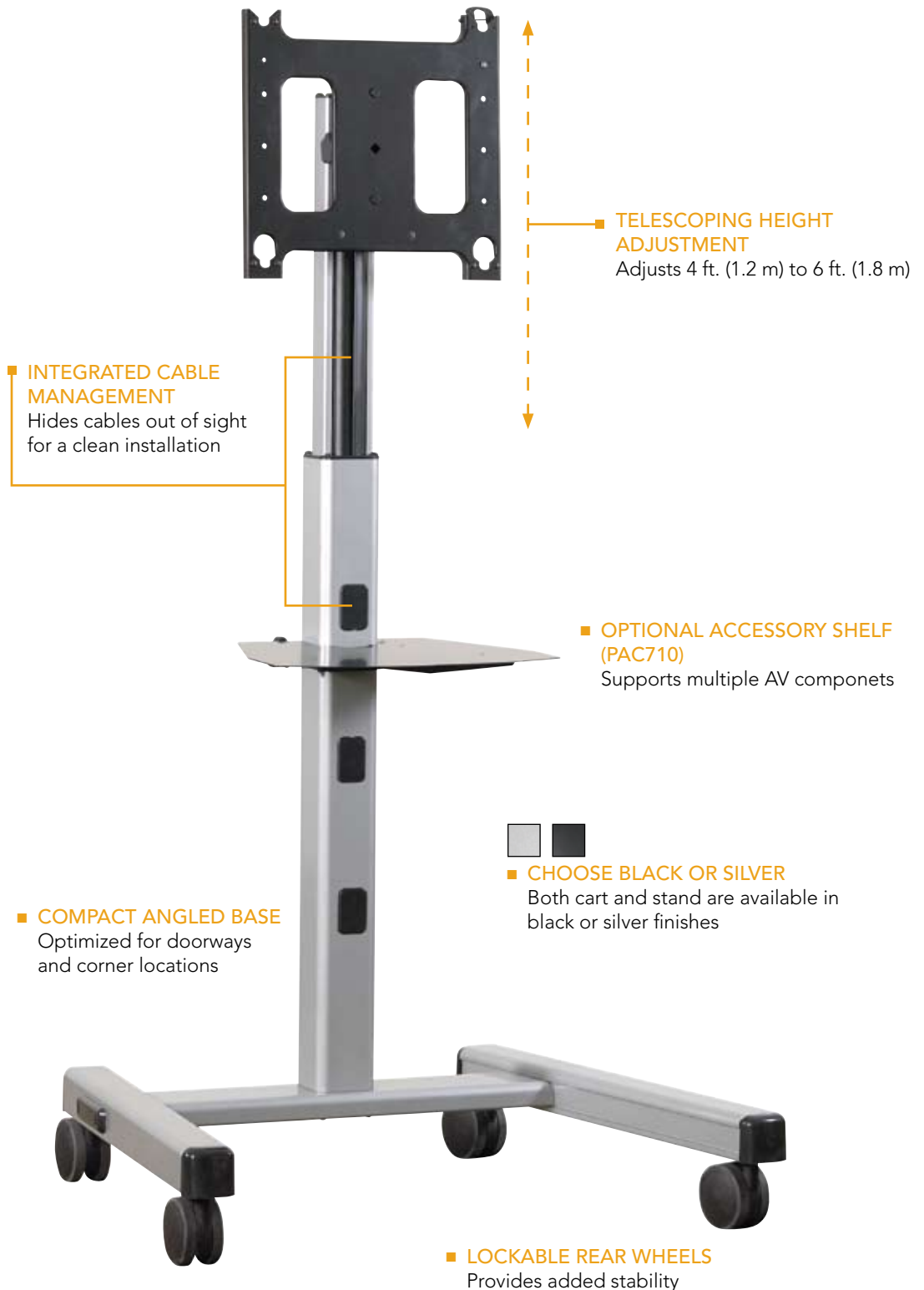
W: 200 lbs (90.7 kg)

D: 31.1" x 6.8" x 32"
(79 x 17.2 x 81 cm)

T: +/-15°

H: 4 - 6' (1.2 - 1.8 m)

C: ■ ■



FUSION FLAT PANEL DISPLAY CARTS AND STANDS

MORE ACCESSORIES

The FUSION lineup also includes a selection of accessories to further enhance the presentation experience.

PACLR1 LEFT/RIGHT SPEAKER ADAPTER

Easily attaches to Chief extra large flat panel mounting solutions. Provides width and height adjustment. (Shown with PDR Wall Mount)



PACCC1 CENTER CHANNEL SPEAKER ADAPTER

Attaches between the display and the wall mount. Provides height adjustment. (Shown with PWR Wall Mount)



PAC251 CPU ADAPTER

Securely hides the device behind the display, allowing easy access to drives and input/output ports.



FOCUSING ON SERVICE EXCELLENCE

Chief products are backed by the best in customer service. Contact any of our Customer Service team members M-F, 7am to 7pm (CST) for assistance.

PPC™ CONFERENCING & PRESENTATION CART

Designed specifically for presentations, this heavy-duty display cart provides easy, mobile video conferencing in a streamlined solution.

- Tough, durable design
- Portrait/landscape screen positioning
- Height adjustable
- Supports up to two accessory shelves
- Integrated cable management
- PPD™ Dual display model available



Display Height Adjustment: 45" – 59" (in 2" increments)

Dimensions: 42.38" x 64.6 x 29.75" (108mm x 75.6mm)
W x H x D

Color: Black

Weight Capacity: 200 lbs (90.9 kg)

CHIEF'S FULL LINE SOLUTIONS

Chief has a full line of projector and flat panel mounting solutions to fit a wide variety of projects. The lineup includes **wall, ceiling, truss, pole, and swing arm mounts** for plasma and LCD displays. Speciality products such as Chief's PWC and MWC Tilting wall mounts with CPU holder are also available.

Solid Steel Construction ■ Easy Installation ■ Exclusive Features ■ Optional Security ■ Full Line of Supporting Accessories



PNR™ Swing Arm Mount



PST™ Fixed Wall Mount



PCS™ Single Ceiling Mount



RPA™ Elite Projector Mount



PWC™ Tilting Wall Mount with CPU Storage

CHIEF MANUFACTURING

USA/INTERNATIONAL

CHIEF MOUNTS CANADA

MILESTONE EUROPE B.V.

MILESTONE ASIA PACIFIC LTD

■ A DIVISION OF MILESTONE AV TECHNOLOGIES ■ www.chiefmfg.com

■ P 800.582.6480/952.894.6280 ■ F 877.894.6918/952.894.6918 ■ chief@milestone.com

■ P 877.345.4329 ■ F 888.377.5314 ■ info@chiefmounts.ca

■ P 31 (0)40 2668620 ■ F 31 (0)40 2668615 ■ europe.chief@milestone.com

■ P 86 755 8996 9226 ■ F 86 755 8996 9217 ■ asia.chief@milestone.com

©2008 Milestone AV Technologies. Printed in the USA. 800007A 2/08. Chief is a registered trademark of Milestone. All other brand names or marks are used for identification purposes and are trademarks of their respective owners. All patents are protected under existing designations. Other patents pending.
Download from www.Somanuals.com. All Manuals Search And Download.

Free Manuals Download Website

<http://myh66.com>

<http://usermanuals.us>

<http://www.somanuals.com>

<http://www.4manuals.cc>

<http://www.manual-lib.com>

<http://www.404manual.com>

<http://www.luxmanual.com>

<http://aubethermostatmanual.com>

Golf course search by state

<http://golfingnear.com>

Email search by domain

<http://emailbydomain.com>

Auto manuals search

<http://auto.somanuals.com>

TV manuals search

<http://tv.somanuals.com>