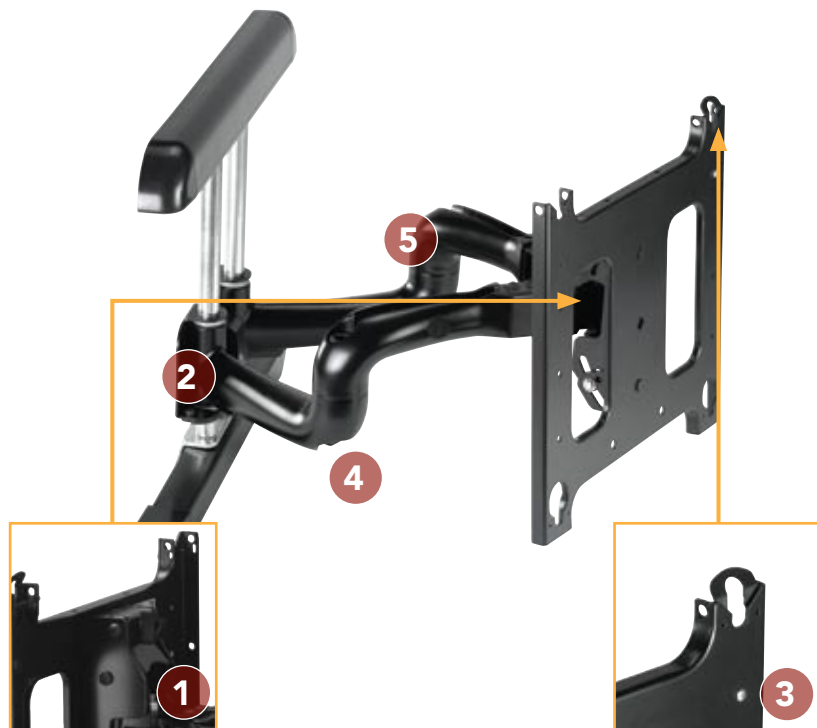




FEATURES

- 1 CENTRIS™ FINGERTIP TILT**
Select the perfect tension for your screen's center of gravity to achieve smooth fingertip tilt. Screen angle stays set until you decide to re-adjust.
- 2 POST-INSTALLATION HEIGHT ADJUSTMENT**
Adjust height up to 1" (25 mm) after mount is installed for ultimate flexibility.
- 3 CLICKCONNECT™ TECHNOLOGY**
PATENT-PENDING
An audible click confirms flat panels are locked in place. Easy to connect/disconnect - no tools needed! Protect display by adding a padlock.
- 4 EXTENDS UP TO 25"**
Extends over 25" (635 mm) for viewing from any angle!
- 5 CABLETRAC™ SYSTEM**
Channeled cable management provides quick and easy routing of cables.



SPECIFICATIONS

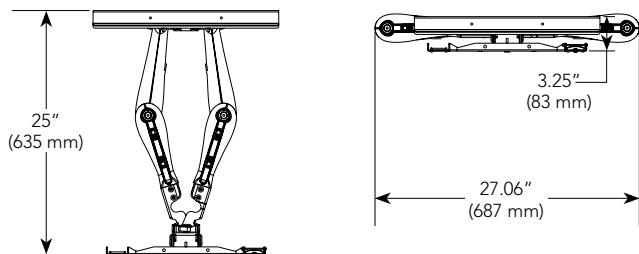
Extension	25" (635 mm)
Tilt*/Roll	+5°, -17° ±2.5°
Height Adjustment	1" (25 mm)
Dimensions** (HxWxD)	22.04" x 27.06" x 3.25" (560 x 687 x 83 mm)
Color	Black, Silver
Weight Capacity	200 lbs (90.7 kg)

* The range of adjustment will vary with different size screens

** Dimensions don't include interface bracket



TECHNICAL DRAWINGS



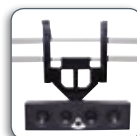
WHAT YOU NEED TO KNOW

ORDERING OPTIONS

Available in custom and universal.

- PNRU = Universal 42 - 63"
- PNR-XXXX = Custom (see MountFinder at www.chiefmfg.com)

RECOMMENDED ACCESSORIES



PACCC1 ■ Center Channel Speaker Adapter



PACLR1 ■ Left/Right Speaker Adapter

For a complete list of flat panel mount accessories see page 69.



CLICK

www.chiefmfg.com Download from Www.Somanuals.com



CALL

877.894.6918



FAX

877.894.6918

Free Manuals Download Website

<http://myh66.com>

<http://usermanuals.us>

<http://www.somanuals.com>

<http://www.4manuals.cc>

<http://www.manual-lib.com>

<http://www.404manual.com>

<http://www.luxmanual.com>

<http://aubethermostatmanual.com>

Golf course search by state

<http://golfingnear.com>

Email search by domain

<http://emailbydomain.com>

Auto manuals search

<http://auto.somanuals.com>

TV manuals search

<http://tv.somanuals.com>