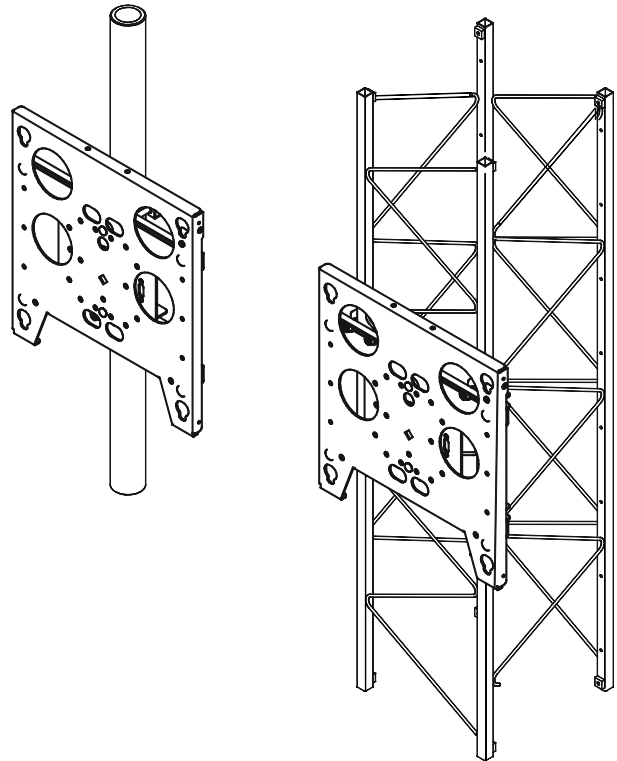

INSTALLATION INSTRUCTIONS

TRUSS/POLE STATIC MOUNT

Model: TPS-2000 SERIES 

The TPS-2000 Series is designed for both pole and truss installations quick and easy. This versatile mount accommodates a large range of truss and pole dimensions, includes security options and provides flexible features perfect for exhibit, retail and digital signage applications.



BEFORE YOU BEGIN



WARNING: ALL COMPONENTS MUST BE SECURELY FASTENED TO A STRUCTURAL MEMBER CAPABLE OF SUPPORTING 4 TIMES THE COMBINED WEIGHT OF ALL COMPONENTS PLUS THE EQUIPMENT BEING MOUNTED. IF IT CANNOT SUPPORT THIS WEIGHT, THE STRUCTURE MUST BE REINFORCED.



WARNING: THE MAXIMUM WEIGHT TO BE INSTALLED ON THE MOUNT IS 150 POUNDS (68.04 KG).



CHIEF MANUFACTURING INC.
1-800-582-6480 952-894-6280 FAX 952-894-6918
8401 EAGLE CREEK PARKWAY, STE 700
SAVAGE, MINNESOTA 55378 USA

8807-000010 (Rev. B)
©2005 Chief Manufacturing
www.chiefmfg.com
12/05

Parts

Unpack the carton, and verify contents shown in Figure 1 below. If you are missing any of the listed components, please contact Customer Service at 1-800-582-6480.

Available Mounting Clamp Kits

If a clamp kit was not ordered at the time of mount purchase, or an alternate clamp kit is required, choose the appropriate kit from the table below and contact a Chief Customer Service representative at 1-800-582-6480.

Table 1: Clamp Kits

KIT NUMBER	INCLUDES
TPK-1 POLE KIT	2 clamps for 1-2" OD round or square poles
TPK-2 POLE KIT	2 clamps for 2-3" OD round or square poles
TPK-3 TRUSS KIT	4 clamps for 1" or smaller OD round or square truss
TPK-4 TRUSS KIT	4 clamps for 1-2" OD round or square truss
TPK-5 TRUSS KIT	4 clamps for 2-3" OD round or square truss

Table 2: Parts

10	PLATE, Truss	1
20	PLATE ASSEMBLY, Face	1
30	NUT, Lock, Stover, 3/8"	2
40	WASHER, Flat, 3/8"	2
50	WASHER, UHMW	1
60	SPACER, Nylon	2

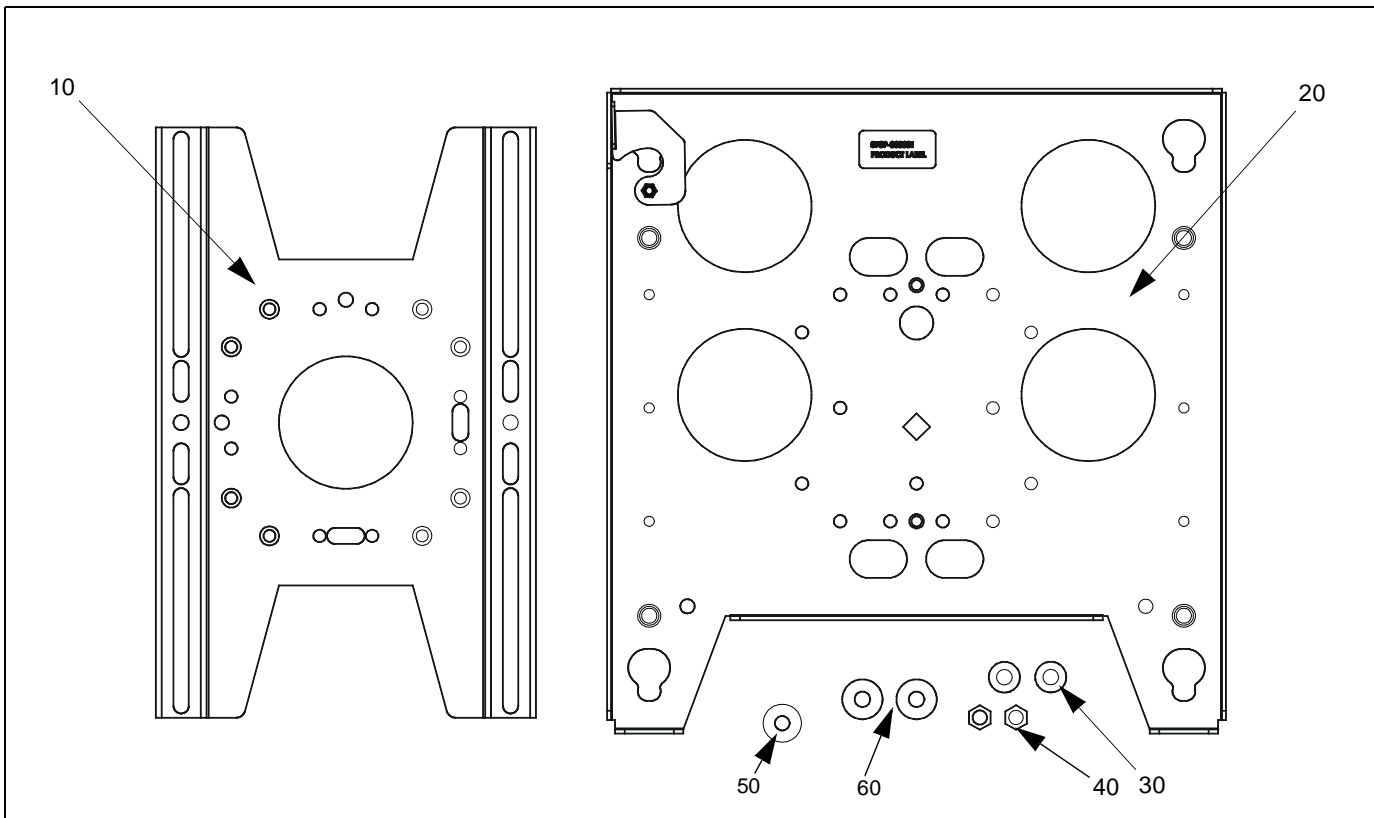


Figure 1: PARTS

INSTALLATION

Pole Mount



WARNING: THE STRUCTURAL MEMBER MUST BE CAPABLE OF SUPPORTING 4 TIMES THE COMBINED WEIGHT OF ALL COMPONENTS PLUS THE EQUIPMENT BEING MOUNTED.

1. Verify truss plate (10) is properly oriented for installation.

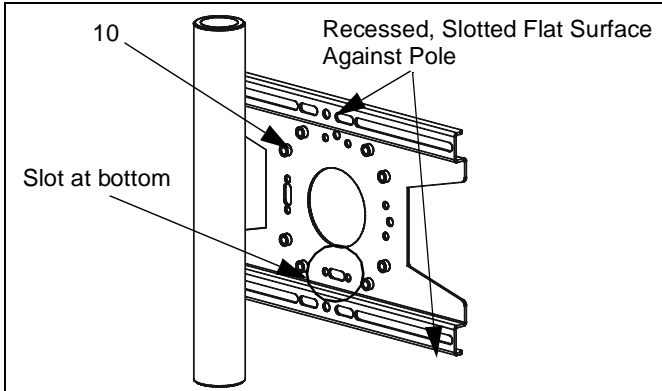


Figure 2: Truss Plate Orientation for Pole Installation

2. Attach truss plate (10) to pole using Chief accessory clamps or equivalent. (See Figure 3)

NOTE: Contact Chief Customer Service at 1-800-582-6480 to identify the proper mounting clamp for the installation.

3. Adjust truss plate (10) vertical and horizontal position until desired location is obtained. (See Figure 4)
4. Secure truss plate to pole by tightening clamp hardware. (See Figure 4)

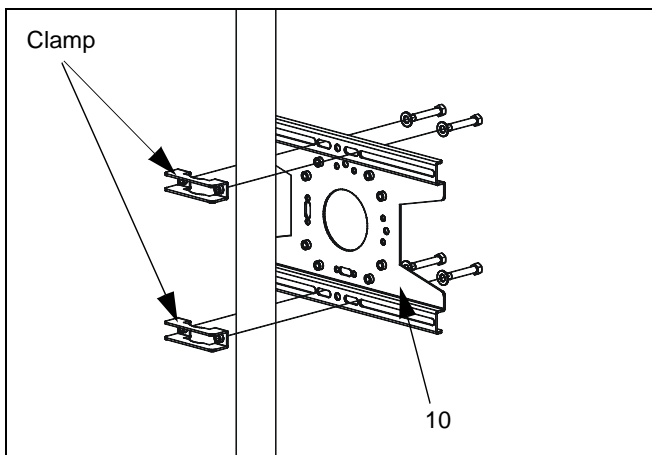


Figure 3: Install Back Plate to Pole

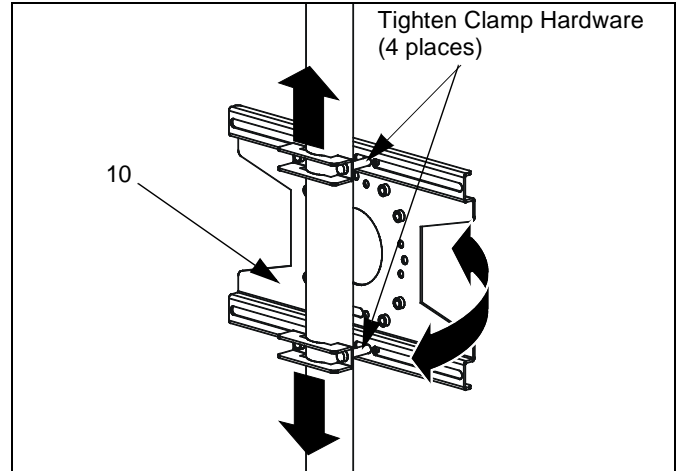


Figure 4: Position and Secure Back Plate

Truss Mount



WARNING: THE STRUCTURAL MEMBER MUST BE CAPABLE OF SUPPORTING 4 TIMES THE COMBINED WEIGHT OF ALL COMPONENTS PLUS THE EQUIPMENT BEING MOUNTED.

1. Verify truss plate (10) is properly oriented for installation.

NOTE: The orientation of the truss plate when mounted on a truss is the same as when mounted on a pole. (See Figure 2)

2. Locate mount location on truss.
3. Attach truss plate (10) to truss using Chief accessory clamps or equivalent. (See Figure 3)

NOTE: Refer to page 2 of this document for available Chief mounting clamp kits. See Available Mounting Clamp Kits on page -2

4. Adjust truss plate (10) vertical position until desired location is obtained. (See Figure 4)
5. Secure truss plate to truss by tightening clamp hardware. (see Figure 5)

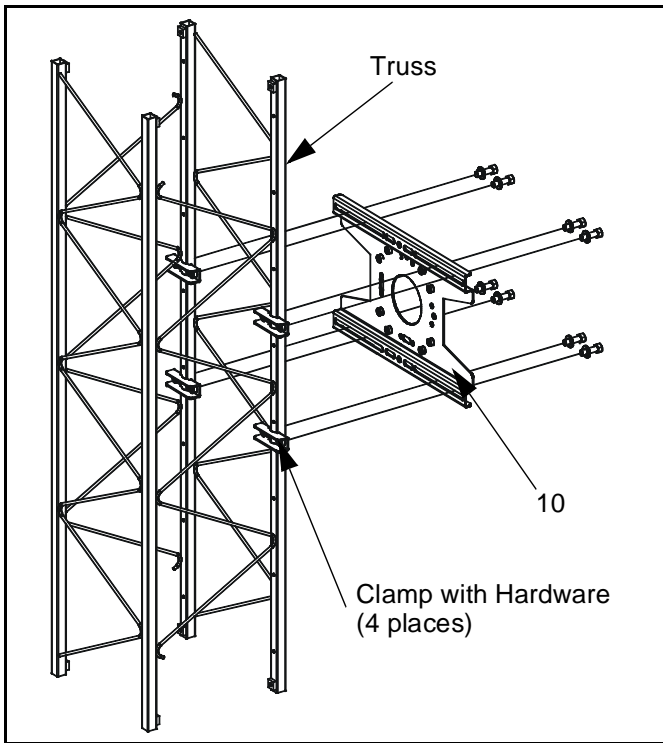


Figure 5: Install Truss Plate to Truss

Install Face Plate to Truss Plate

1. Verify face plate (20) is properly oriented for installation. (See Figure 7)

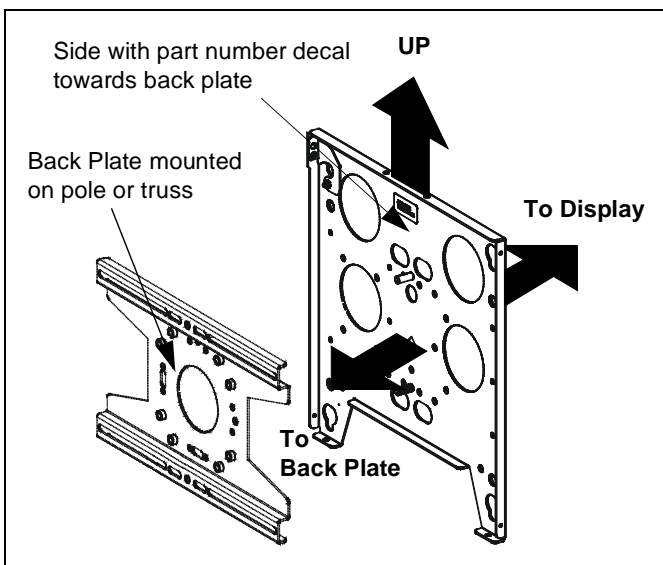


Figure 6: Face Plate Orientation to Truss plate

2. Install two .64" x .327" Nylon Spacers (60) onto mounting studs on face plate (20) back.
3. Align mounting studs on face plate (20) with center upper mounting hole and lower center slot in truss plate (10). (See Figure 7)
4. Place studs on face plate back into, and through,

center upper mounting hole and lower center slot in truss plate (10).

5. Secure face plate (20) top to truss plate (10) using one 3/8" flat washer (40), and one 3/8" Nylock Nut (30).

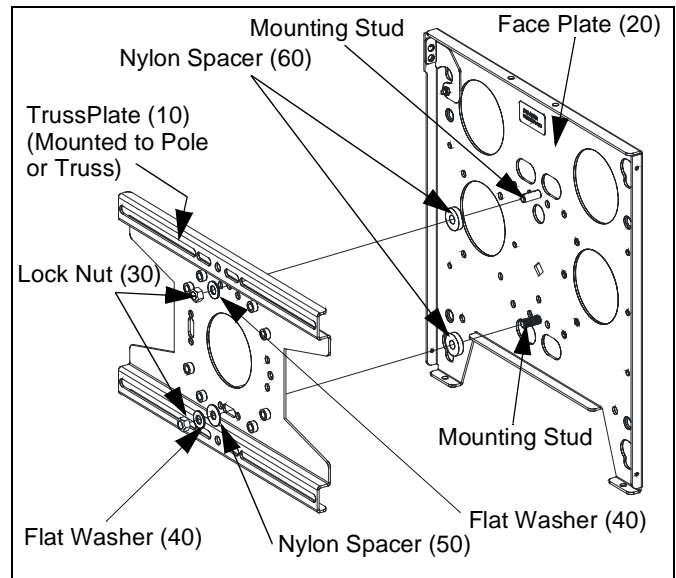


Figure 7: Install Face Plate to Truss Plate

6. Secure face plate (20) bottom to truss plate (10) using one UHMW Washer (50), one 3/8" flat washer (40), and one 3/8" Nylock Nut (30). (See Figure 7)

DISPLAY INSTALLATION



WARNING: DO NOT attempt to hang display on stand with one person.

1. Make sure Q-Latch is in the OPEN position so it will not obstruct display installation (See Figure 8).

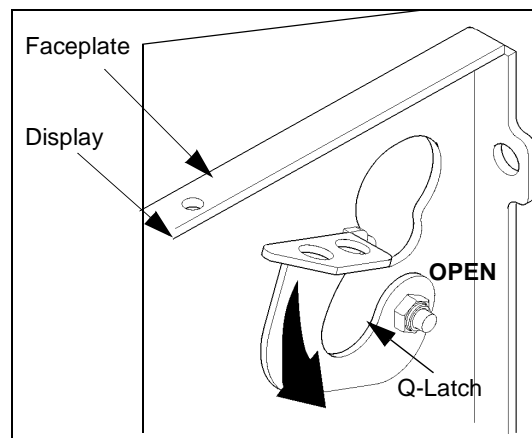


Figure 8: Open Q-Latch

2. With one person supporting each side of the display, align the four mounting buttons with the four teardrop slots in faceplate (See Figure 9).

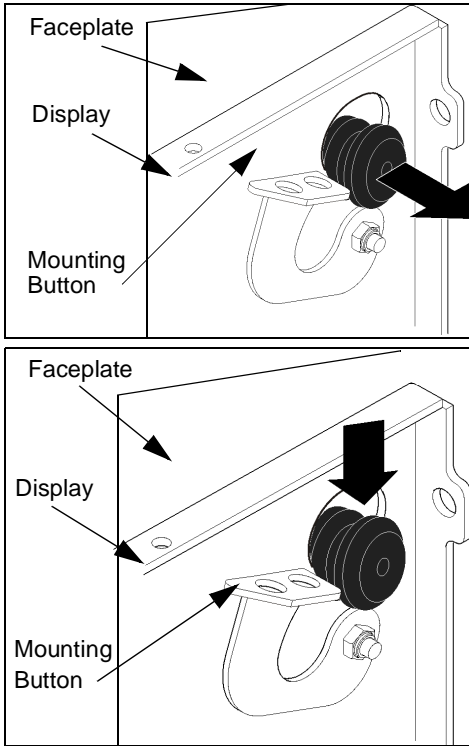


Figure 9: Align Display

- Secure display by placing the Q-Latch in the "Latched" position (See Figure 10).

NOTE: A hole is provided in the Q-Latch and faceplate to accommodate the insertion of a padlock or similar locking device.

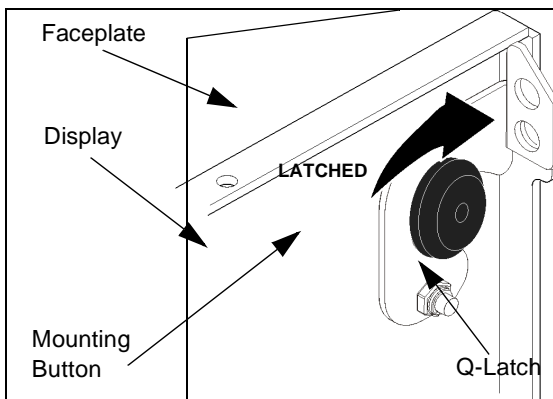


Figure 10: Close Q-Latch

ADJUSTMENTS

The TPS-2000 Series mount provides for limited roll adjustment to level the display after installation.

To adjust display roll:

- Loosen roll adjustment nuts. (See Figure 11)
- Level Display.
- Tighten roll adjustment nuts. (See Figure 11)

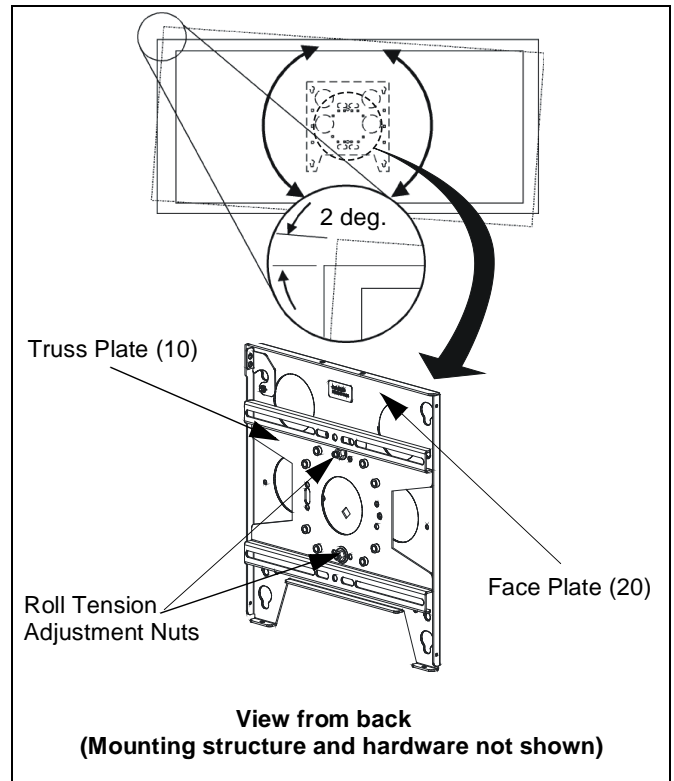


Figure 11: Display Roll Adjustment

Free Manuals Download Website

<http://myh66.com>

<http://usermanuals.us>

<http://www.somanuals.com>

<http://www.4manuals.cc>

<http://www.manual-lib.com>

<http://www.404manual.com>

<http://www.luxmanual.com>

<http://aubethermostatmanual.com>

Golf course search by state

<http://golfingnear.com>

Email search by domain

<http://emailbydomain.com>

Auto manuals search

<http://auto.somanuals.com>

TV manuals search

<http://tv.somanuals.com>