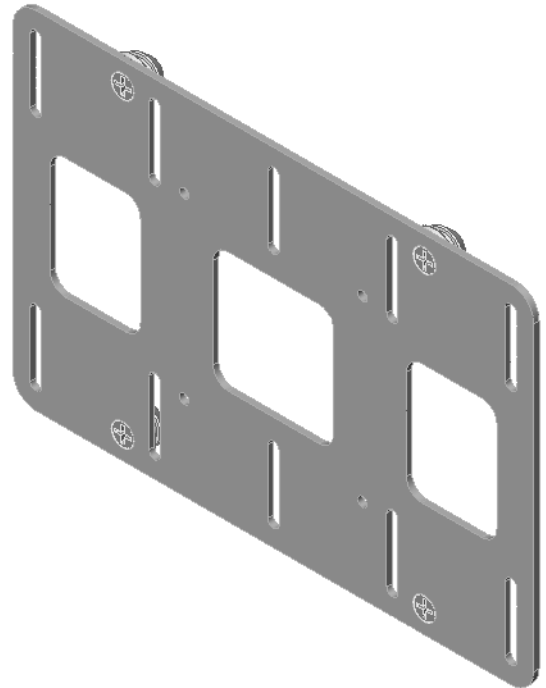

INSTALLATION INSTRUCTIONS

Model FSB-4101 INTERFACE BRACKET

VESA 200mm x 100mm / 100mm x 100mm



BEFORE YOU BEGIN

Prior to assembly, unpack carton completely and verify contents.

If you are missing any of the following components, or you have any questions about this installation, contact Chief Manufacturing Customer Service at 1-800/582-6480



CHIEF MANUFACTURING INC.
1-800-582-6480 952-894-6280 FAX 952-894-6918
8401 EAGLE CREEK PARKWAY, STE 700
SAVAGE, MINNESOTA 55378 USA

PART NO. 8804-000034 (Rev. E)
©2005 Chief Manufacturing
www.chiefmfg.com
Printed in USA 09/05

WARNING: FLAT PANEL DISPLAYS ARE EXTREMELY FRAGILE. If Display Uses a Screw Size Other Than M4, DO NOT USE M4 Screws provided. Monitor Damage Could Occur.

ITEM	DESCRIPTION	QTY.
10	Interface Bracket	1
20	3/8" Nylon Spacers	6
30	3/4" Nylon Spacers	6
40	1/8" Nylon Spacers	6
50	M4 X 12mm Phillips Pan Head Screws	6
60	M4 X 20mm Phillips Pan Head Screws	6
70	M4 X 30mm Phillips Pan Head Screws	6
80	M4 X 6mm Phillips Pan Head Screws	6

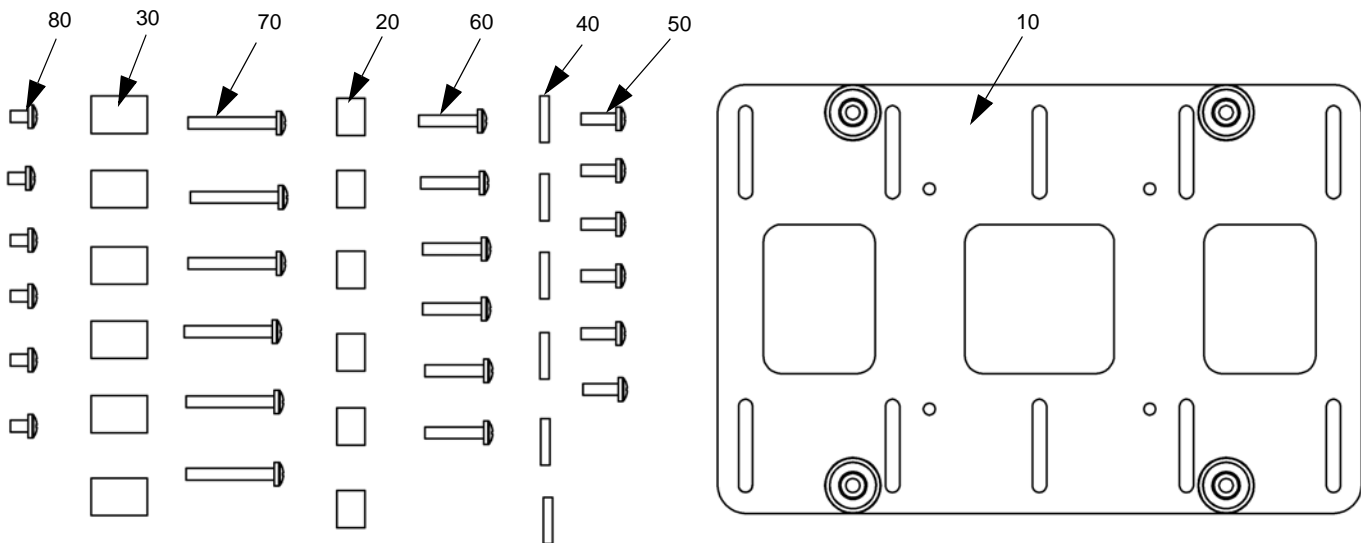


Figure 1:

NOTE: If the flat panel display has a table stand attached, remove existing stand.

Flush Mount Installation

1. Secure the Interface Bracket to the Display using 1/8" Nylon Spacers and M4 x 12mm screws (see Figure 2).

NOTE: Length of mounting screws is dependant upon length of spacer used.

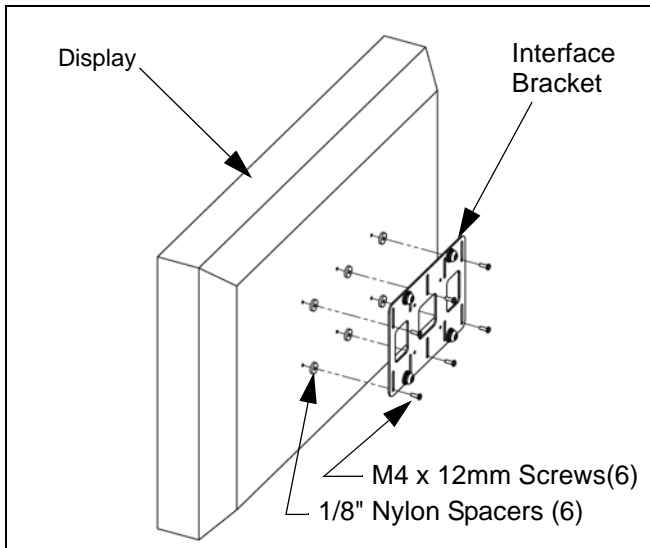


Figure 2:

Recessed Mount Installation

1. Place four Nylon spacers (3/8" or 3/4" as necessary) over four mounting holes in Display (see Figure 3).
2. Secure the Interface Bracket to the Display using M4 x 20mm or M4 x 30mm screws depending upon spacer used. (see Figure 3).

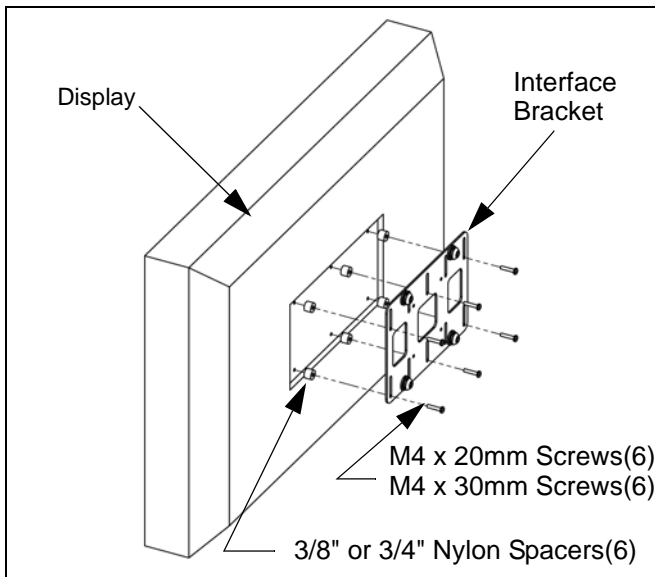


Figure 3:

Mount to Q2 System

1. Install flat panel display, with interface plate attached, on Q2 mount (see Figure 4).
2. Move latching flag of Q2 mount to secure display.

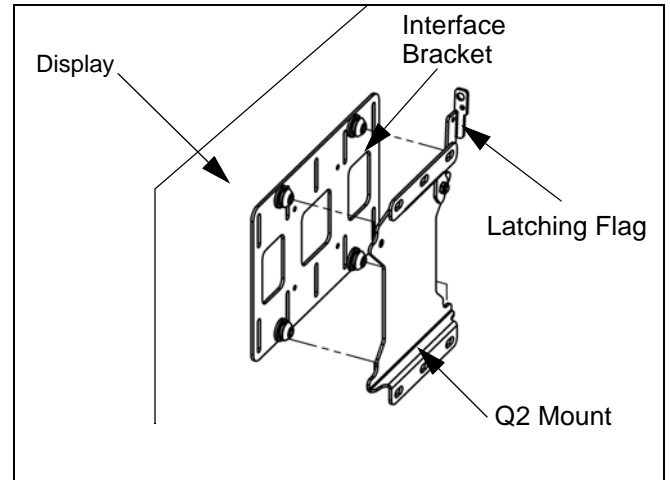


Figure 4:

Conversion to VESA 75mm Mounting/Centris® Mounts

1. Remove Phillips head screws and mounting buttons from the interface bracket.

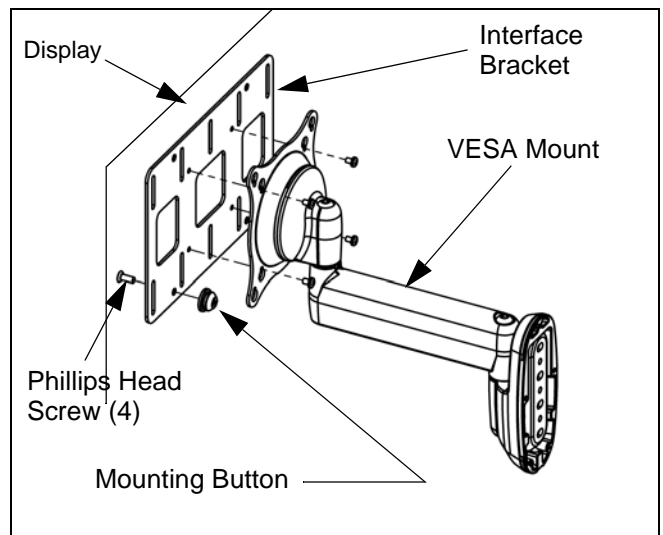


Figure 5:

2. Using M4 x 6mm screws, attach the interface bracket to any VESA 75mm x 75mm mounting device.



Free Manuals Download Website

<http://myh66.com>

<http://usermanuals.us>

<http://www.somanuals.com>

<http://www.4manuals.cc>

<http://www.manual-lib.com>

<http://www.404manual.com>

<http://www.luxmanual.com>

<http://aubethermostatmanual.com>

Golf course search by state

<http://golfingnear.com>

Email search by domain

<http://emailbydomain.com>

Auto manuals search

<http://auto.somanuals.com>

TV manuals search

<http://tv.somanuals.com>