
INSTALLATION INSTRUCTIONS

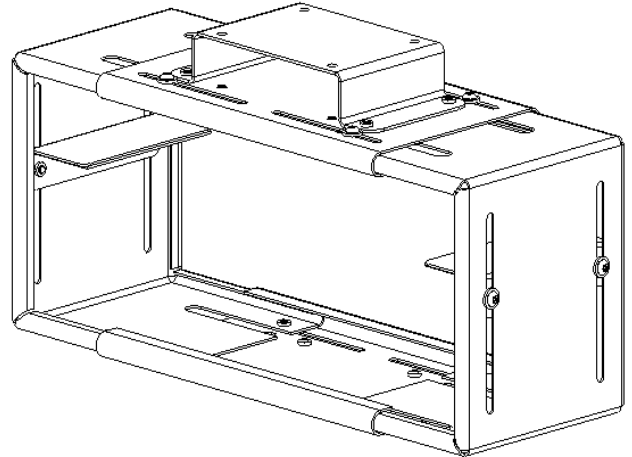
CTA-100 VCR / DVD / Cable Box Adapter

The CTA-100 provides a centralized mounting solution for a VCR/DVD/cable box.

The shelf on the CTA-100 can be adjusted to fit the width and height of most VCR/DVD/Cable Boxes. The maximum weight capacity for the CTA-100 is 50lbs. (22.7 kg).

The CTA-100 was specifically designed to mount underneath any CTV Series TV/Monitor mount.

Depending upon the weight limitations of the TV/Monitor mount, the CTA-100 is a stackable unit. Up to three CTA-100 units can be stacked. The weight of the stacked units cannot exceed 50lbs. (22.7 kg).



BEFORE YOU BEGIN

- **CAUTION:** To prevent damage to your equipment, which could affect or void the Factory warranty, thoroughly study all instructions and illustrations before you begin to install the CTA-100. Pay particular attention to the Warnings and Cautions in this document.
- If you have any questions about this installation, contact Chief Manufacturing at 1-800-582-6480 or 952-582-6480.



CHIEF MANUFACTURING INC.
1-800-582-6480 952-894-6280 FAX 952-894-6918
8401 EAGLE CREEK PARKWAY, STE. 700
SAVAGE, MINNESOTA 55378 USA

8809-000022 (Rev. A)
2004 Chief Manufacturing
www.chiefmfg.com

10/04

CTA-100 SPECIFICATIONS

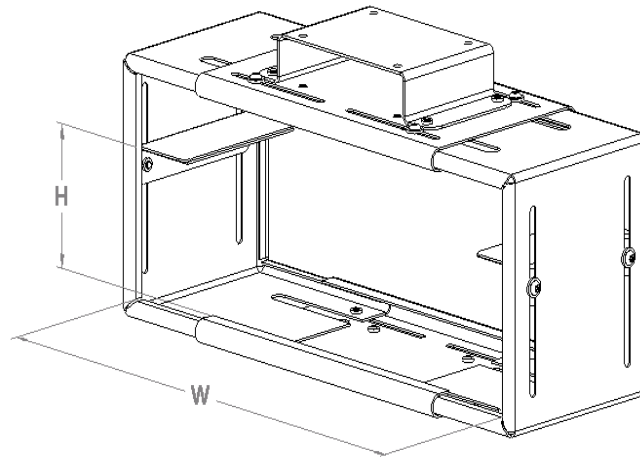


Table 1. CTA-100 Specifications

Model	Inside Dimensions		Max Support Weight
	W-Width Adjustment	H-Height Adjustment	
CTA-100	10-1/4" – 17-3/8"	1" – 5-3/4"	50 lbs (22.7kg)

 **IMPORTANT WARNINGS and CAUTIONS!**

WARNING	A WARNING alerts you to the possibility of serious injury or death if you do not follow the instructions.
CAUTION	A CAUTION alerts you to the possibility of damage or destruction of equipment if you do not follow the corresponding instructions.
WARNING	Improper installation can result in serious personal injury! Make sure that the mounting surface can support a redundant weight factor <i>five times</i> the total weight of the equipment: if not, reinforce the mounting surface structural members before installing the mount.
WARNING	Be aware of the potential for personal injury or damage to the equipment if it is not adequately mounted. Refer to the specifications described in Table 1, on page 2.
WARNING	The installer is responsible for verifying that the mounting surface to which the mount is anchored will safely support the combined load of all attached components or other equipment.
WARNING	The combined weight of the equipment placed on the CTA-100 must not exceed the maximum support weight of the mount. Refer to the specifications described in Table 1, on page 2.
WARNING	Watch for pinch points. Do not put your fingers between movable parts.
CAUTION	Check the unit for shipping damage before you begin the installation.

CONTENTS

CTA-100 SPECIFICATIONS.....2

TOOLS REQUIRED FOR INSTALLATION4

SHIPPING CONTENTS.....4

PARTS4

INSTALLATION INSTRUCTIONS.....5

 Assembling the Center Plates and Side Plates.....5

 Attaching the Center Plates and Side Plates.....5

 Installing Pads on Adjustment Plates6

 Installing Adjustment Plates.....6

 Installing Top Attachment Plate.....7

 Connecting CTA-100 to TV/Mount.....7

 Making Adjustments8

 Stacking Two Units.....9

 Stacking Three Units.....9

TOOLS REQUIRED FOR INSTALLATION

The tools required for installation are as follows:

- Allen Wrench (supplied)

NOTE: Other tools may be required depending on your method of installation.

SHIPPING CONTENTS

BEFORE PROCEEDING: Unpack the carton. Verify contents listed in Table 2.

Read installation instructions completely. If you are missing any of the listed components, contact Customer Service at: 1-800/582-6480.300.

Table 2. CTA-100 Parts List

ITEM	DESCRIPTION	QTY
10	Top Attachment Plate	1
20	Center Plate	2
30	Side Plate	2
40	Adjustment Plate	2
50	Foam Pad	2
60	M5 X 8mm Button Head Cap screw	20
70	Flat Washer	20
80	Allen Wrench	1

PARTS

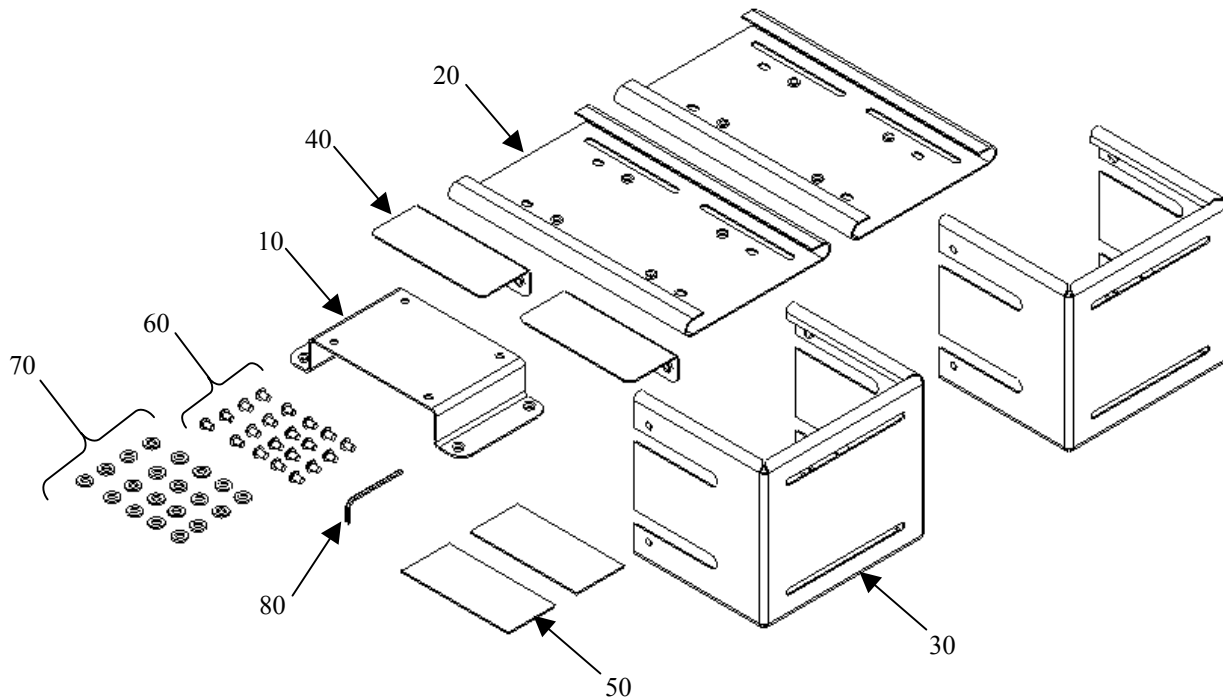


Figure 1. CTA-100 Component Parts

INSTALLATION INSTRUCTIONS

STEP 1

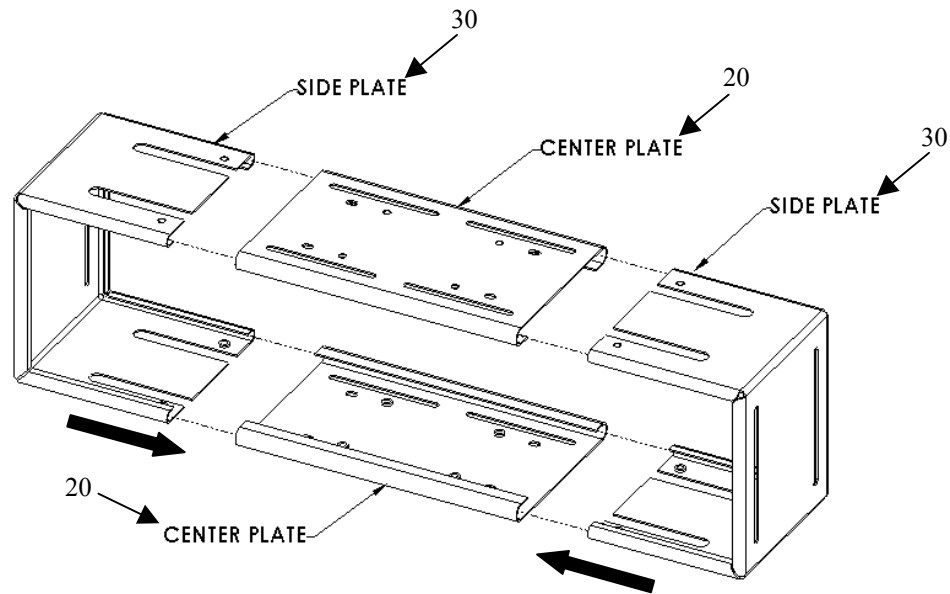


Figure 2. Assemble Center Plates and Side Plates

Assembling the Center Plates and Side Plates

Assemble center plates and side plates, as follows:

1. Locate two center plates (20) and two side plates (30). See Figure 2.

NOTE: The two side plates fit inside the two center plates. To assemble the unit, slide the two side plates into the cuffed center plates.

2. Interconnect the first side plate (30) with both center plates (20) as shown in Figure 2.
3. Repeat step 2 to interconnect the second side plate (30) with the center plates (20).

Attaching the Center Plates and Side Plates

Attach center plates and side plates, as follows:

1. On the top, install four flat washers (70) and four M5 X 8mm button head cap screws (60) into the threaded holes in the side plates (30). See Figure 3.
2. Repeat step 1 to attach the side plates on the bottom of the unit.

NOTE: The screws can be adjusted later when the width of the VCR/DVD is apparent.

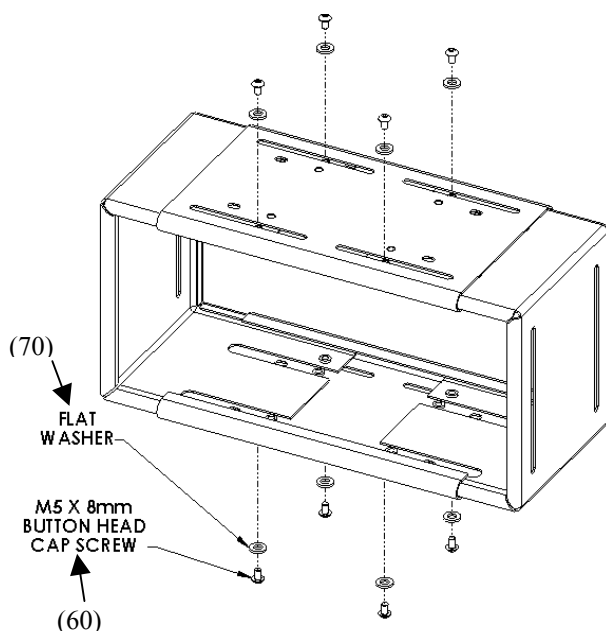
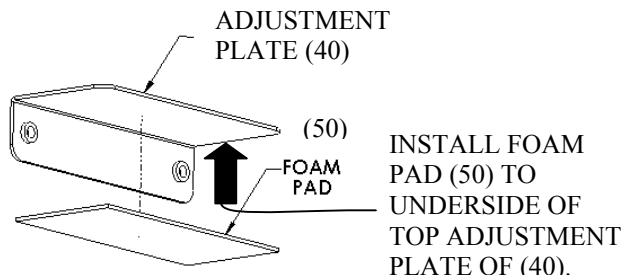
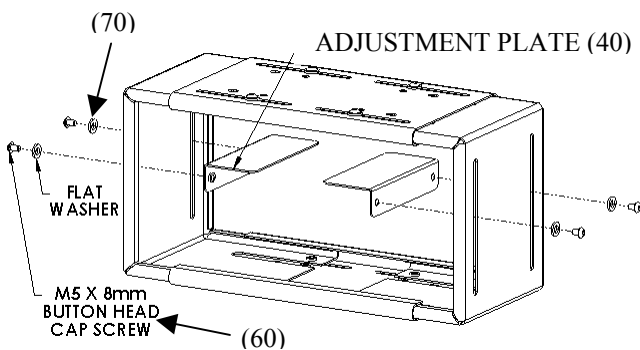


Figure 3. Attach Center Plates and Side Plates

STEP 2**Figure 4. Install Pads on Adjustment Plates****Installing Pads on Adjustment Plates**

Install foam pads on adjustment plates, as follows:

1. Locate two foam pads (50) and two adjustment plates (40). See Figure 4.
2. Remove protective tape from foam pad (50) to expose the bond side.
3. Install foam pad (50) on underside of top adjustment plate (40).
4. Repeat steps 2 and 3 to install the foam pad (50) on the second adjustment plate (40).

**Figure 5. Install Adjustment Plates****Installing Adjustment Plates**

Install top adjustment plates, as follows:

1. Install two flat washers (70) and two M5 X 8mm button head cap screws (60) into the threaded holes in the side plates (30). See Figure 5.
2. Repeat step 1 to install the second adjustment plate.

NOTE: The screws can be adjusted later when the height of the VCR/DVD is apparent.

STEP 3

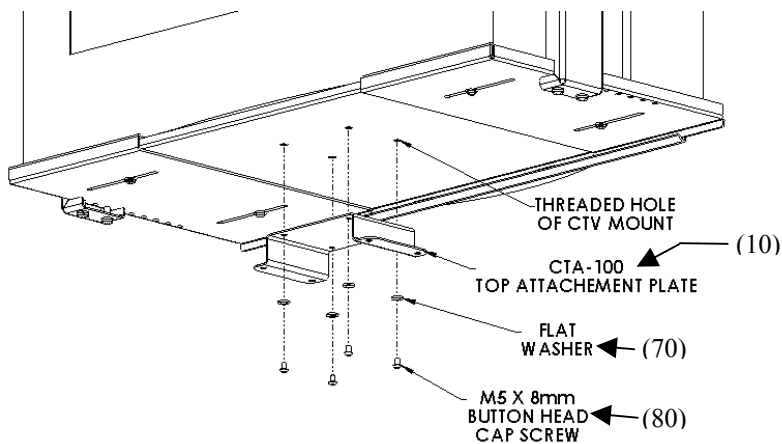


Figure 6. Install Top Attachment Plate

Installing Top Attachment Plate

Install top attachment plate, as follows:

1. Locate the top attachment plate (10).

WARNING

Failure to install and tighten the screws securing the top attachment plate can result in personal injury and/or equipment damage.

2. Install four flat washers (70), four M5 X 8mm button head cap screws (60), and the top attachment plate (10) onto the bottom of the TV/Monitor mount as shown in Figure 6. Tighten the screws.

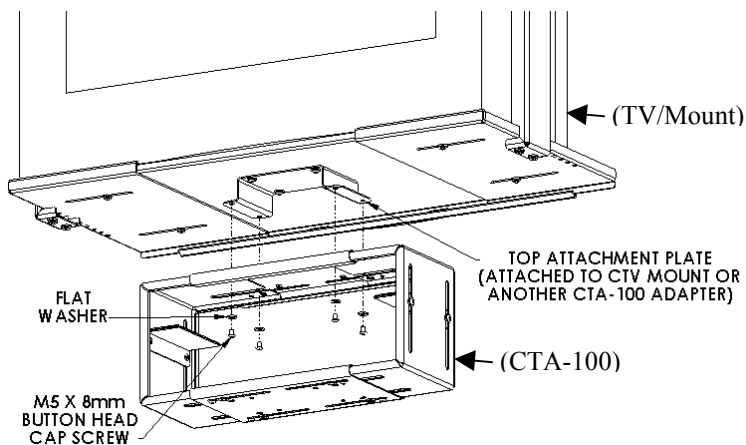


Figure 7. Connect CTA-100 to TV/Mount

Connecting CTA-100 to TV/Mount

Connect the CTA-100 to the TV/Mount, as follows:

1. Align CTA-100 with top attachment plate (10) as shown in Figure 6.
2. Install four flat washers (70), four M5 X 8mm button head cap screws (60) into the top attachment plate (10). Tighten the screws. See Figure 7.

STEP 4

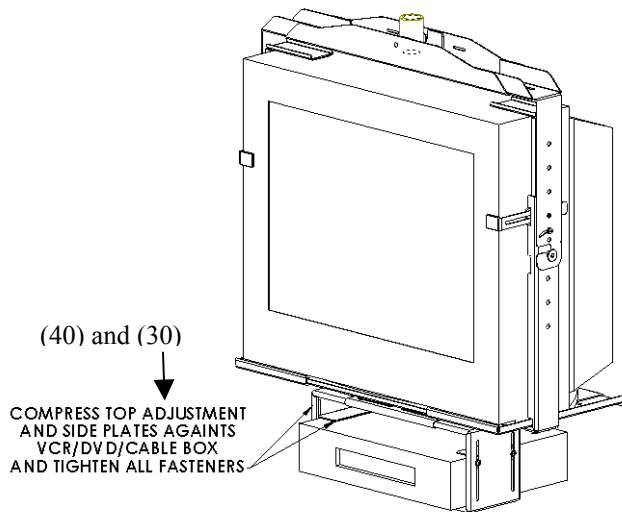


Figure 8. Make Adjustments to Unit

Making Adjustments

1. Install your VCR/DVD into the CTA-100.
2. Adjust the side plates (30) and adjustment plates (40) as needed to secure your VCR/DVD safely in the CTA-100. See Figure 8.
3. Tighten all cap screws (60).

WARNING

Failure to install and tighten the screws to secure your VCR/DVD can result in personal injury and/or equipment damage.

4. Check the CTA-100 to ensure that the side plates (30) and adjustment plates (40) are adjusted correctly. The unit should fit tightly around your VCR/DVD. If not, repeat steps 2 and 3 until your VCR/DVD is secure.

STEP 5 (OPTIONAL)

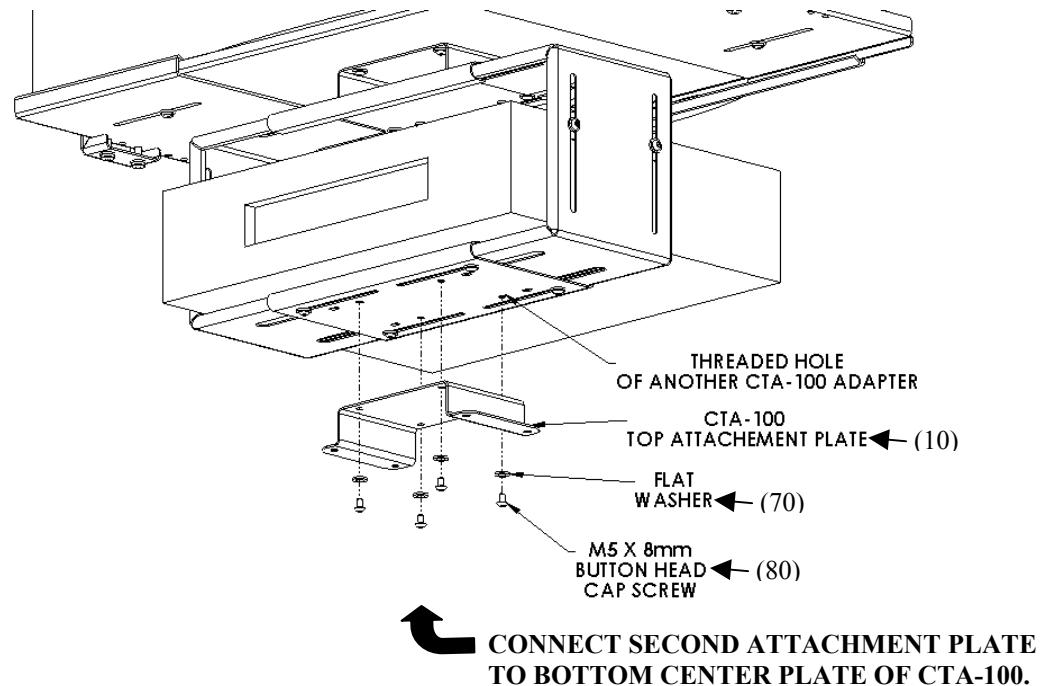


Figure 9. Install Second Attachment Plate

Stacking Two Units

Stack two units, as follows:

1. Locate the top attachment plate (10) for the second unit.

CAUTION

The stacked load cannot exceed 50lbs. (22.7kg).

2. Install the second attachment plate (10) on the center plate (20) of the first CTA-100 unit. Use four flat washers (70) and four M5 X 8mm button head cap screws (60). Tighten the screws. See Figure 9.
3. Attach the second CTA-100 to the second attachment plate (10). Use four flat washers (70), four M5 X 8mm button head cap screws (60). Tighten the screws.
4. Install your VCR/DVD into the CTA-100.
5. Adjust the side plates (30) and adjustment plates (40) as needed to secure your VCR/DVD safely in the CTA-100.

6. Tighten all cap screws (60).

WARNING

Failure to install and tighten the screws to secure your VCR/DVD can result in personal injury and/or equipment damage.

7. Check the CTA-100 to ensure that the side plates (30) and adjustment plates (40) are adjusted correctly. The unit should fit tightly around your VCR/DVD. If not, repeat steps 5 and 6 until your VCR/DVD is secure.

Stacking Three Units

Stack three units, as follows:

1. Perform the “Stacking Two Units” procedure to install the third CTA-100.

CAUTION

Do not stack more than three VCR/DVD mounts from a TV/Monitor mount. The stacked load cannot exceed 50lbs. (22.7kg).

2. Verify that all three units are secure.

Free Manuals Download Website

<http://myh66.com>

<http://usermanuals.us>

<http://www.somanuals.com>

<http://www.4manuals.cc>

<http://www.manual-lib.com>

<http://www.404manual.com>

<http://www.luxmanual.com>

<http://aubethermostatmanual.com>

Golf course search by state

<http://golfingnear.com>

Email search by domain

<http://emailbydomain.com>

Auto manuals search

<http://auto.somanuals.com>

TV manuals search

<http://tv.somanuals.com>