

INSTALLATION INSTRUCTIONS

Pole Static Mount Finishing Cover (TPA-100)

The TPA-100 is an esthetically pleasing, functional cover for the pole static mount.

PARTS LIST

Unpack the shipping carton and check for the contents listed in Table 1 and shown in Figure 1.

Table 1. Parts List

REF	DESCRIPTION	QTY
10	COVER, pole mount	1
20	COVER, top/bottom	2
30	WRENCH, Allen, security, 5/32"	1
40	SCREW, pan head cap 10-24 x 3/8"	6
50	SCREW, button head security 10-24 x 3/8"	6
60	SCREW, pan head self-tapping, 10-24 x 3/8"	4
70	SCREW, sheet metal security, 10-24 x 1/2"	4

PARTS

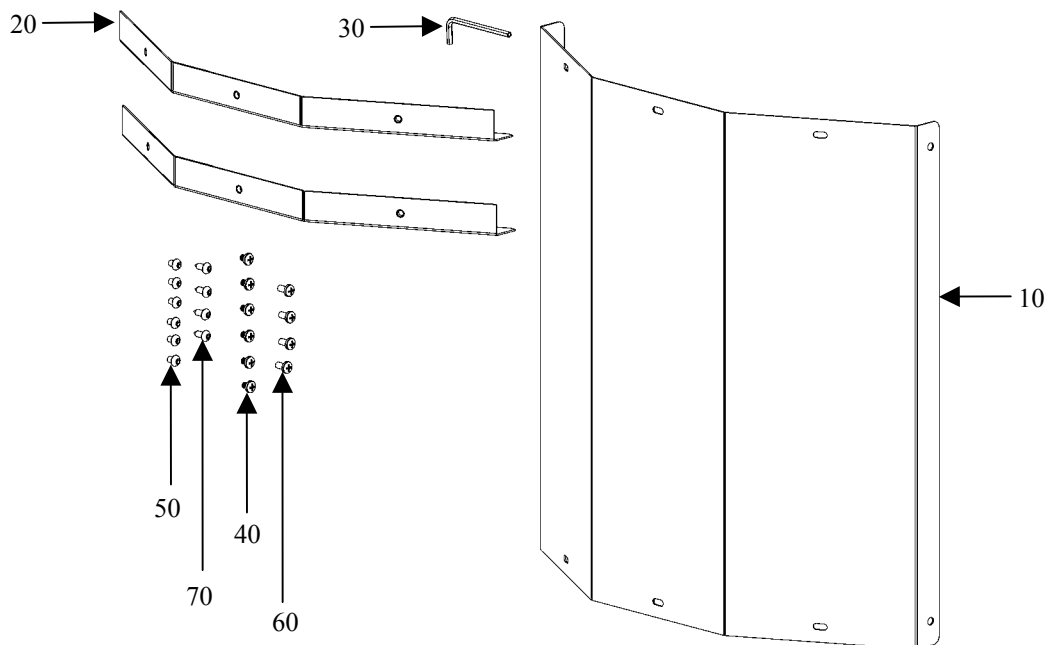


Figure 1. Parts



CHIEF MANUFACTURING INC.
1-800-582-6480 952-894-6280 FAX 952-894-6918
8401 EAGLE CREEK PARKWAY, STE. 700
SAVAGE, MINNESOTA 55378 USA

8807-000002 (Rev. B)
©2003 Chief Manufacturing
www.chiefmfg.com
08/05

TOOLS REQUIRED FOR INSTALLATION

- 5/32" Allen wrench, security (provided)
- Phillips screwdriver

INSTALLATION

To install the finishing cover, do the following:

Assemble the Finishing Cover

Assemble the finishing cover, as follows:

NOTE: If security screws are used, use the 5/32" security Allen wrench (30).

1. Using three 10-24 x 3/8" pan head cap screws (40) or three 10-24 x 3/8" button head cap screws (50), attach the top cover (20) frame onto the pole mount cover (10). See Figure 2.
2. Repeat Step 1 to attach the bottom cover (20) frame to the pole mount cover (10).

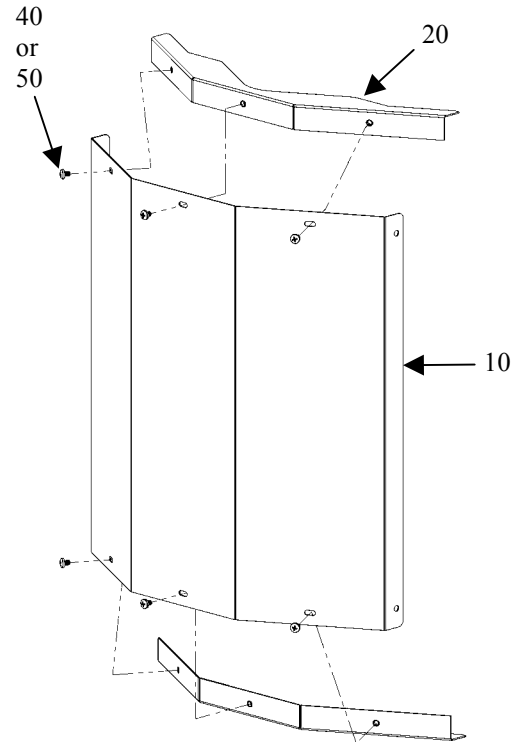


Figure 2. Assemble the Finishing Cover

Install the Finishing Cover

Install the finishing cover, as follows:

1. Place the pole mount cover (10) over the pole mount and pole (see Figure 3).

NOTE: If security screws are used, use the 5/32" security Allen wrench (30).

2. Using two 10-24 x 3/8" pan head self-tapping screws (60) or two 10-24 x 1/2" sheet metal security screws (70), attach the assembled pole mount cover (10) to the mount at the top. See Figure 3.
3. Repeat Step 2 to attach the assembled pole mount cover (10) to the mount at the bottom.

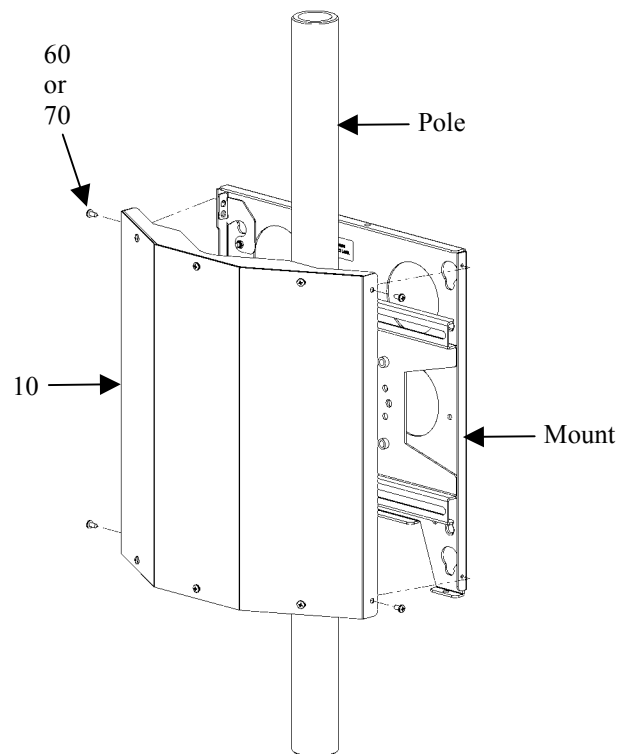


Figure 3. Install the Finishing Cover

Free Manuals Download Website

<http://myh66.com>

<http://usermanuals.us>

<http://www.somanuals.com>

<http://www.4manuals.cc>

<http://www.manual-lib.com>

<http://www.404manual.com>

<http://www.luxmanual.com>

<http://aubethermostatmanual.com>

Golf course search by state

<http://golfingnear.com>

Email search by domain

<http://emailbydomain.com>

Auto manuals search

<http://auto.somanuals.com>

TV manuals search

<http://tv.somanuals.com>