

# INSTALLATION INSTRUCTIONS

## EVCM-100D

### Magna Lift™ Electric Ceiling Mount

Prior to assembly, unpack carton completely and verify contents.  
If you are missing any of the following components, please contact Customer Service at 1-800/582-6480

**BEFORE PROCEEDING, READ INSTALLATION INSTRUCTIONS COMPLETELY**

**WARNING! IMPROPER INSATLLATION MAY RESULT IN SERIOUS PERSONAL INJURY!** All components must be securely fastened to each other and to the ceiling. The overhead support must be capable of supporting five times the weight of the mount and equipment combined. If it cannot is **MUST** be reinforced.

#### Unit Specifications

##### Motor Operation Limits

- Run Time - 12 Minutes\*
- Cool Time - 25 Minutes
- Run Time - 12 Minutes

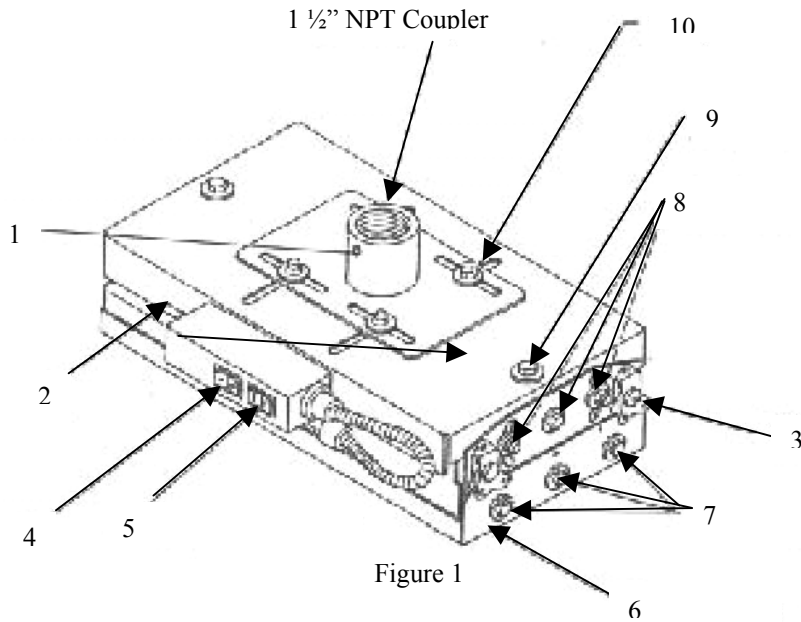
Do not exceed two cycles without an extended cooling period of 45 minutes. To prevent damage to the Magna Lift, the unit will shut down for cooling if overheated.

\* It will take approximately 11 minutes to fully lower and raise 20 feet of cable under maximum load.

Maximum Weight Capacity .....	250 lbs. (113.5)
Maximum Travel .....	20 feet (609.6 cm)
Unit Weight .....	48 lbs. (21.6 kg)
Electrical Requirements .....	115 volts, 60 Hz, 1.6 amps continuous

**Read instructions completely before installing unit and connecting power.**

1. Ensure 115-volt electrical power is readily available at the installation location.
2. Ensure support for the EVCM-100 ceiling mount is securely installed to the ceiling; if not the ceiling must be reinforced. Improper installation may result in serious personal injury.
3. Use the optional QD-1 for simplified installation or attach the EVCM-100 Magna-Lift directly to the NPT 1 1/2" column installed in your ceiling as follows:
  - A Thread the unit on the NPT 1 1/2" column and tighten securely using pipe wrench.
  - B After unit is tightened securely, install the thread locking set screw [Figure 1, Item (1) into the coupler, tightening it against threads on column.



- |                          |                           |
|--------------------------|---------------------------|
| 1. Thread Locking Screw  | 6. Adapter Plate          |
| 2. Power Inlet           | 7. Hanging Bracket Bolts  |
| 3. (4x) Locking Hasp     | 8. Pitch Adjustment Bolts |
| 4. Power Switch          | 9. Adjustment             |
| 5. Rocker/Control Switch | 10. Adjustment Nuts       |

4. Using the appropriate power cord, provide power to the EVCM-100. The power inlet is a general-purpose IEC-320 power inlet for Class 1 applications rated at 10A international, 15A North America. The main plug to the appliance inlet shall be used as the primary disconnect device.
5. Make sure the area directly below the unit is clear of all individuals and obstructions and lower it to floor/service level as follows:
  - A Unlock the four locking clasps [See Fig. 1, Item (3)] on each side of housing, making sure the locking clasps are clear of the keeper plates, by turning them 180° counter-clockwise.
  - B Turn power switch (4) to ON.
  - C Depress and hold the down arrow side of rocker/control switch (5) until the adapter plate (6) is to floor/service level.
  - D With unit resting on floor or service platform, depress the down arrow side for approximately four seconds. This will provide slack in the cable for easy movement of adapter plate.
6. Attach hanging bracket to the projector. See the enclosed HB instructions (projector Model determines which hanging bracket is required for your EVCM-100).
7. After attaching the hanging bracket to the projector, install the adapter plate to the hanging bracket using six hanging bracket bolts (7) (three on each side) through the holes in the hanging bracket and tighten securely into the adapter plate.

8. Before raising projector to ceiling, make sure all fasteners are securely tightened to the projector and the adapter plate.
9. Raise unit to ceiling as follows:
  - A Depress and hold the arrow side of rocker/control switch [Figure 1, Item (5)] until the adapter plate is seated to the ceiling mount housing.
  - B When adapter plate is properly seated, the unit will turn off.
  - C After the adapter plate is seated to ceiling housing, make sure hasps connect with keeper plates and lock the four locking hasps.
  - D Turn clockwise to lock adapter plate to ceiling mount housing and turn the power switch (4) to OFF. You can now attach power and cables to the projector.

**See projector alignment sheet for projector alignment.**

10. To lower projector for servicing, disconnect all power cables and signal cables from the projector. Repeat step 5 to lower.

### **Projector Alignment Instructions**

<p><b>WARNING!</b> During projection alignment, loosen mounting hardware only enough to allow for necessary movement. Loosening or removal of mounting hardware may result in serious damage to equipment or personal injury.</p>
---

**Vertical Elevation (pitch):** Adjust pitch by loosening six-pitch adjustment bolts (See Figure 1, Item 8). Loosen both sides and adjust pitch by tilting projector in the desired direction. When desired pitch is obtained, securely tighten bolts on both sides.

**Horizontal Tilt (roll):** Adjusted roll by loosening six-pitch adjustment bolts (8) and turning adjustment bolt (9) clockwise to raise and counter clockwise to lower. Roll adjustment can be done on both sides of unit. When desired roll is obtained, securely tighten the six-pitch adjustment bolts.

**Positive Registration Lock:** Tighten pitch adjustment bolts. You can now lower the unit to the ground and remove the projector, without losing projector registration, by removing six bolts (7) holding the HB hanging bracket to the EVCM.

**Horizontal Adjustments:** Loosen, but do not remove, nuts holding the top slide bracket (10). When nuts are loose, adjust unit 1 1/2" in any direction.

## Free Manuals Download Website

<http://myh66.com>

<http://usermanuals.us>

<http://www.somanuals.com>

<http://www.4manuals.cc>

<http://www.manual-lib.com>

<http://www.404manual.com>

<http://www.luxmanual.com>

<http://aubethermostatmanual.com>

Golf course search by state

<http://golfingnear.com>

Email search by domain

<http://emailbydomain.com>

Auto manuals search

<http://auto.somanuals.com>

TV manuals search

<http://tv.somanuals.com>