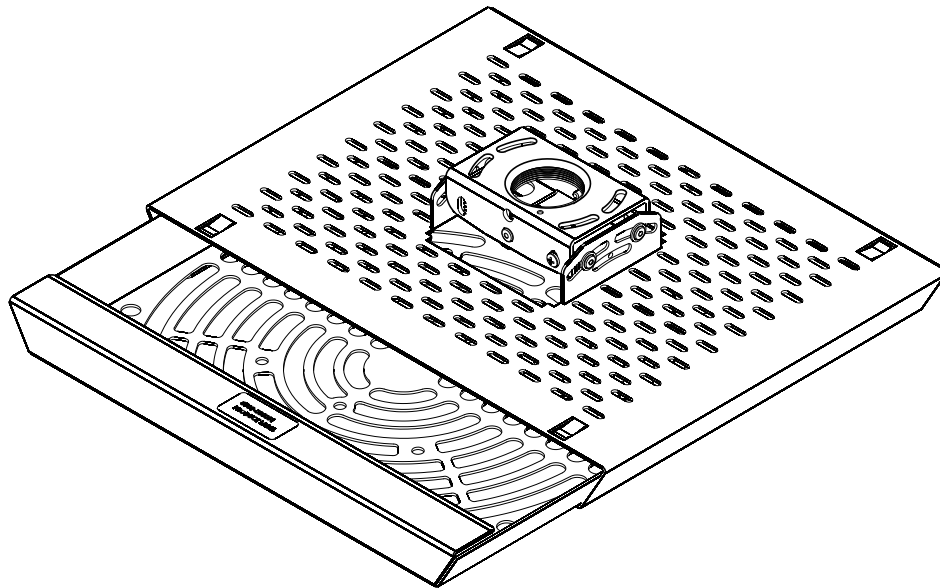

INSTALLATION INSTRUCTIONS



Locking Projector Mount

 **CHIEF**[®]

RPAA1, B1, C1

DISCLAIMER

CSAV, Inc., and its affiliated corporations and subsidiaries (collectively, "CSAV"), intend to make this manual accurate and complete. However, CSAV makes no claim that the information contained herein covers all details, conditions or variations, nor does it provide for every possible contingency in connection with the installation or use of this product. The information contained in this document is subject to change without notice or obligation of any kind. CSAV makes no representation of warranty, expressed or implied, regarding the information contained herein. CSAV assumes no responsibility for accuracy, completeness or sufficiency of the information contained in this document.

IMPORTANT WARNINGS AND CAUTIONS!

WARNING: A WARNING alerts you to the possibility of serious injury or death if you do not follow the instructions.

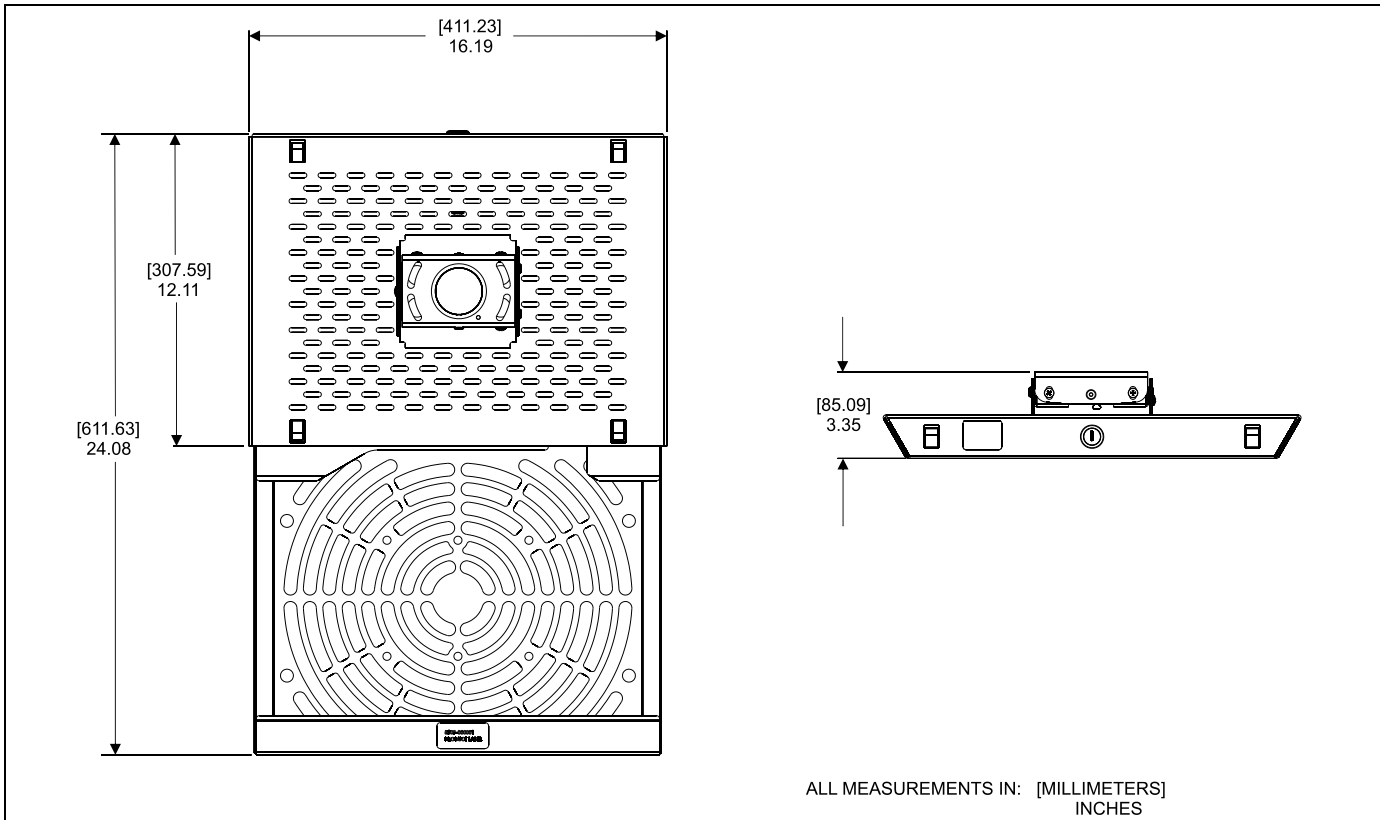
CAUTION: A CAUTION alerts you to the possibility of damage or destruction of equipment if you do not follow the corresponding instructions.

WARNING: Failure to read, thoroughly understand, and follow all instructions can result in serious personal injury, damage to equipment, or voiding of factory warranty! It is the installer's responsibility to make sure all components are properly assembled and installed using the instructions provided.

WARNING: Failure to provide adequate structural strength for this component can result in serious personal injury or damage to equipment! It is the installer's responsibility to make sure the structure to which this component is attached can support five times the combined weight of all equipment. Reinforce the structure as required before installing the component.

WARNING: Exceeding the weight capacity can result in serious personal injury or damage to equipment! It is the installer's responsibility to make sure the combined weight of all components attached to the PM1 does not exceed 50 lbs (22.68 kg).

DIMENSIONS



LEGEND

	Tighten Fastener
	Apretar elemento de fijación
	Befestigungsteil festziehen
	Apertar fixador
	Serrare il fissaggio
	Bevestiging vastdraaien
	Serrez les fixations

	Loosen Fastener
	Aflojar elemento de fijación
	Befestigungsteil lösen
	Desapertar fixador
	Allentare il fissaggio
	Bevestiging losdraaien
	Desserrez les fixations

	Phillips Screwdriver
	Destornillador Phillips
	Kreuzschlitzschraubendreher
	Chave de fendas Phillips
	Cacciavite a stella
	Kruiskopschroevendraaier
	Tournevis à pointe cruciforme

	Open-Ended Wrench
	Llave de boca
	Gabelschlüssel
	Chave de bocas
	Chiave a punte aperte
	Steeksleutel
	Clé à fourche

	By Hand
	A mano
	Von Hand
	Com a mão
	A mano
	Met de hand
	À la main

	Hex-Head Wrench
	Llave de cabeza hexagonal
	Sechskantschlüssel
	Chave de cabeça sextavada
	Chiave esagonale
	Zeskantsleutel
	Clé à tête hexagonale

	Pencil Mark
	Marcar con lápiz
	Stiftmarkierung
	Marcar com lápis
	Segno a matita
	Potloodmerkteken
	Marquage au crayon

	Drill Hole
	Perforar
	Bohrloch
	Fazer furo
	Praticare un foro
	Gat boren
	Percez un trou

	Adjust
	Ajustar
	Einstellen
	Ajustar
	Regolare
	Afstellen
	Ajuster

	Remove
	Quitar
	Entfernen
	Remover
	Rimuovere
	Verwijderen
	Retirez

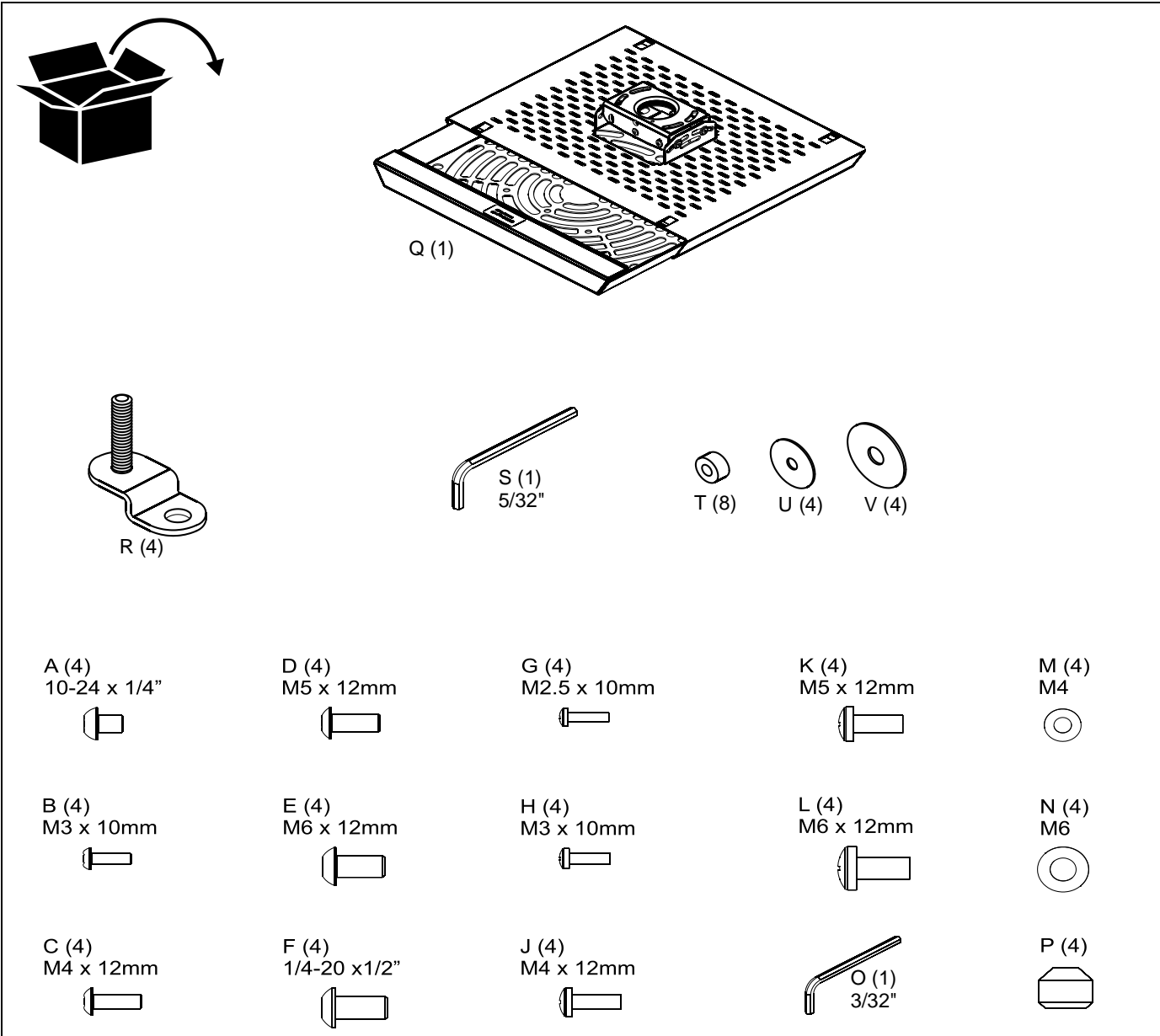
	Optional
	Opcional
	Optional
	Opcional
	Opzionale
	Optie
	En option

	Security Wrench
	Llave de seguridad
	Sicherheitsschlüssel
	Chave de segurança
	Chiave di sicurezza
	Veiligheidssleutel
	Clé de sécurité

TOOLS REQUIRED FOR INSTALLATION



PARTS



ASSEMBLY AND INSTALLATION

Installing Threaded Pipe and RPAA1 Outer Sleeve



WARNING: IMPROPER INSTALLATION CAN RESULT IN SERIOUS PERSONAL INJURY OR DAMAGE TO EQUIPMENT! Structural members **MUST** be capable of supporting five times the combined weight of all equipment being mounted.

1. Install ceiling plate and extension accessories following installation instruction provided by manufacturer.
2. Remove drawer from RPAA1 outer sleeve. (See Figure 1)

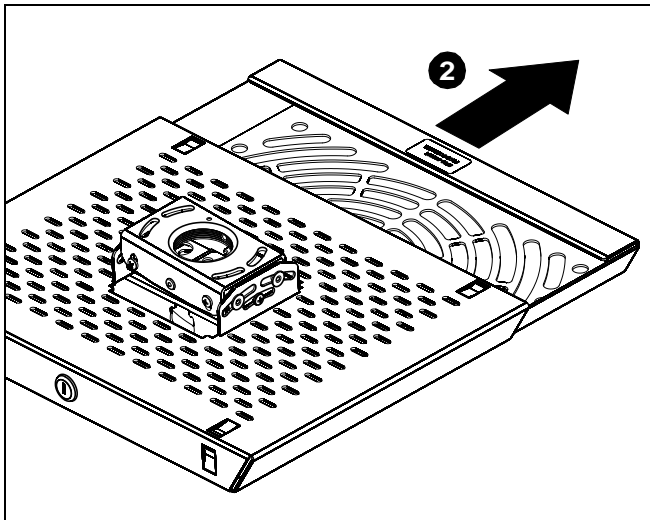


Figure 1

3. Remove and keep security screw from bottom of RPAA1 sleeve. (See Figure 2)

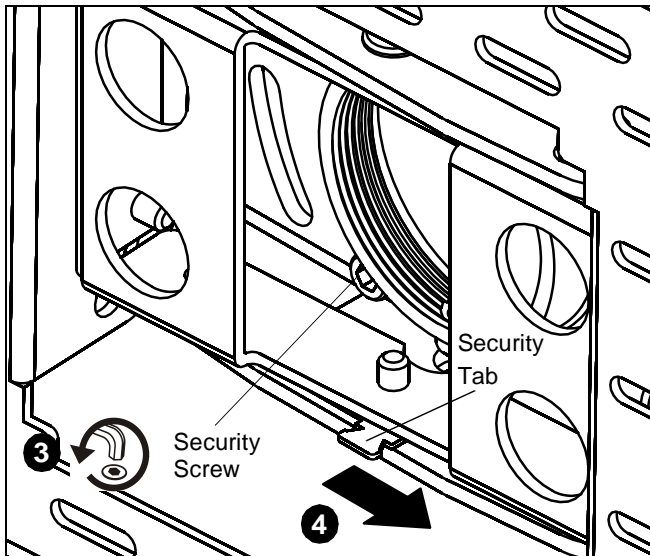


Figure 2

4. Move security tab to right. (See Figure 2)
5. Align RPAA1 outer sleeve with end of NTP pipe. (See Figure 3)

6. Thread RPAA1 sleeve up onto pipe by turning counterclockwise until hand tight. (See Figure 3)

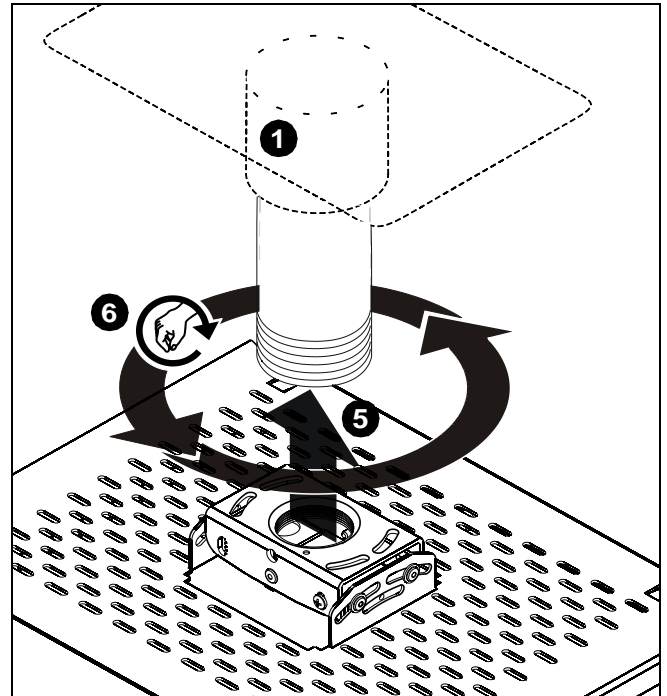


Figure 3

Rough Alignment of RPAA1

1. Turn RPAA1 sleeve clockwise or counterclockwise until the front of the RPAA1 is facing target. (See Figure 4)

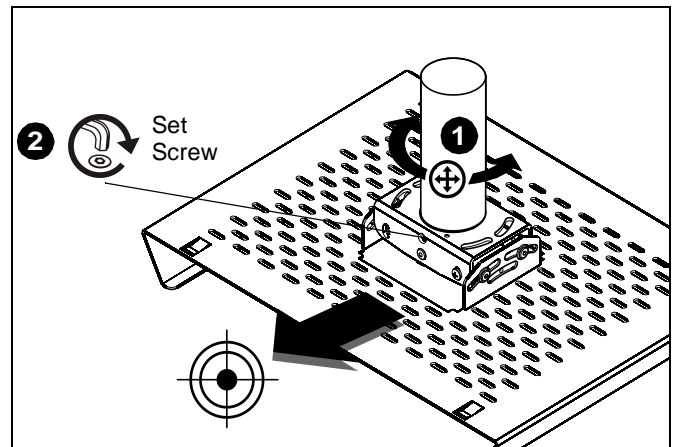


Figure 4

2. Tighten set screw. (See Figure 4)
3. Return security tab to left side (See Figure 5).
4. Replace and tighten security screw (See Figure 5).

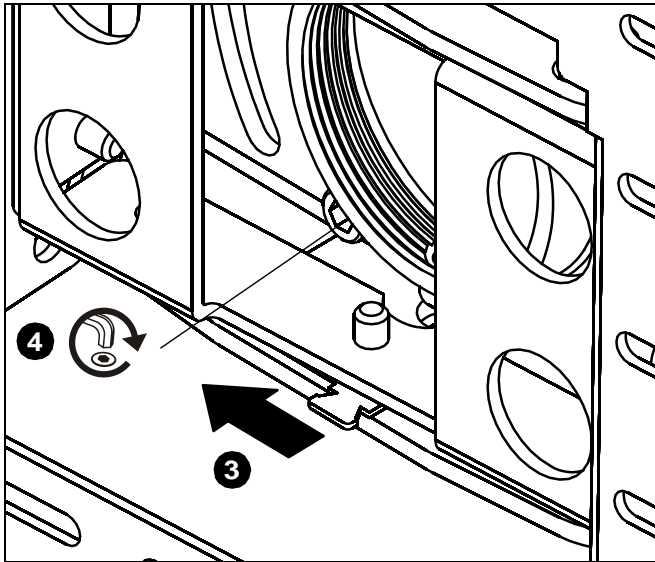


Figure 5

Attaching Projector Security Legs

1. Attach the projector security legs (R) to the projector, using the correct size screws and washers for your specific projector. (See Figure 6)

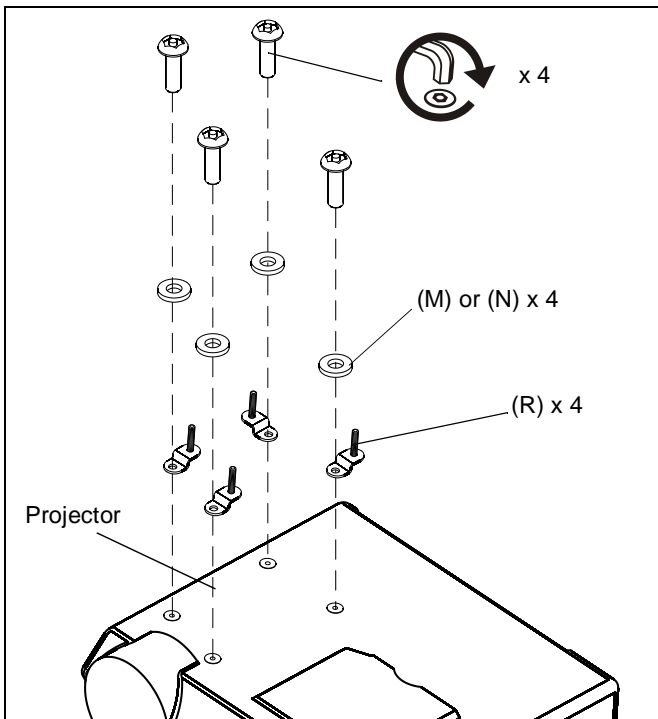


Figure 6

2. Add washers (U) to the projector security legs (R). Add spacers (T) as necessary to the projector security legs (R). (See Figure 7)

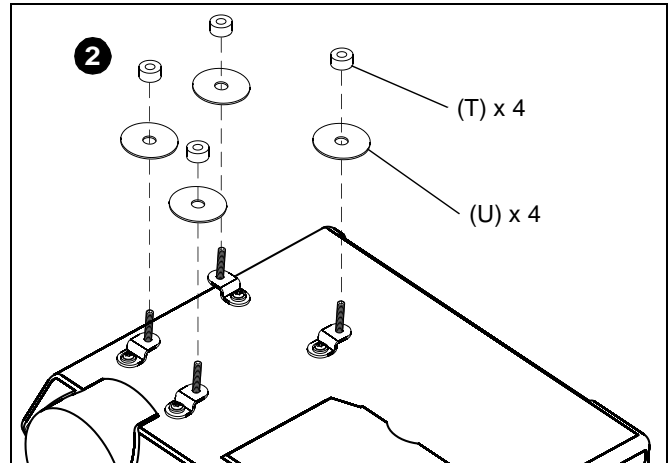


Figure 7

Attaching Projector to Security Mount Drawer

1. Align projector and security mount drawer so that the projector is oriented correctly.
2. Remove the paper backing from the adhesive washers (V) and attach projector to drawer using adhesive washers (V) and thumbnuts (P) over the security legs (R). (See Figure 8)

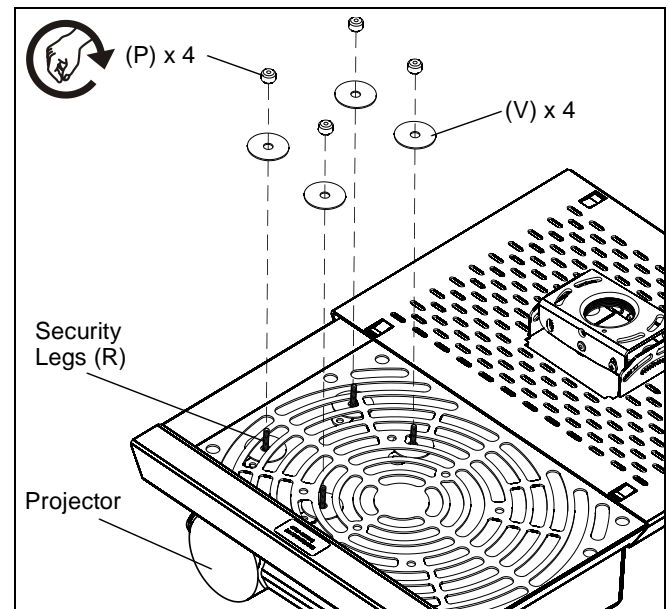


Figure 8

3. Slide the security mount drawer into the RPAA1 outer sleeve. (See Figure 9)

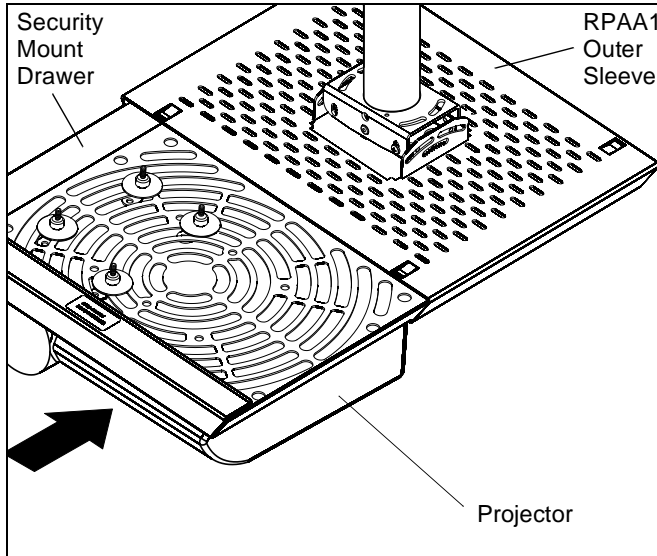


Figure 9

Aligning Projector

The RPAA1 can be adjusted for vertical elevation (pitch), horizontal tilt (roll), and rotation (yaw).

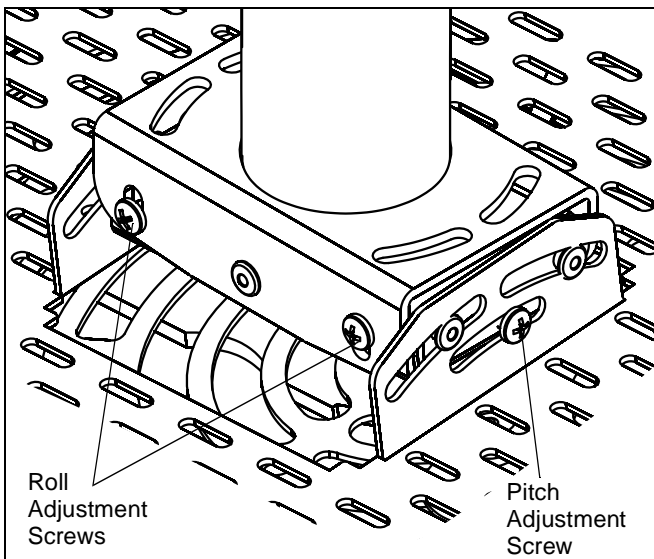


Figure 10

Pitch

Adjust pitch using the adjustment screw on the end of the adjustment plate. (See Figure 10)

1. Loosen the adjustment screw.
2. Adjust projector angle to desired pitch.
3. Tighten adjustment screw.

Roll

Adjust roll using the two adjustment screws on the back of the adjustment plate. (See Figure 10)

4. Loosen the two adjustment screws.

5. Adjust projector to desired roll.
6. Tighten adjustment screws.

Yaw

The yaw was adjusted when the RPAA1 was attached to the pipe. If the yaw needs to be adjusted further, follow Steps 1-4 under **Rough Alignment of RPAA1**.

Locking the RPAA1

After all installation and adjustment steps have been completed, lock the RPAA1. (See Figure 11)

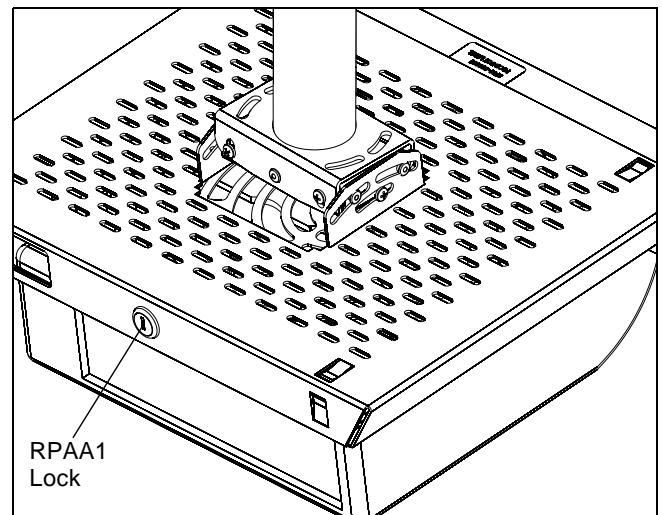


Figure 11



8802-000253
©2007 Chief Manufacturing
www.chiefmfg.com
04/07

USA/International	A 8401 Eagle Creek Parkway, Savage, MN 55378 P 800.582.6480 / 952.894.6280 F 877.894.6918 / 952.894.6918
Europe	A Fellenoord 130 5611 ZB EINDHOVEN, The Netherlands P +31 (0)40 2668620 F +31 (0)40 2668615
Asia Pacific	A Room 30I, Block D, Lily YinDu International Building LuoGang, BuJi Town, Shenzhen, CHINA. Post Code: 518112 深圳市布吉罗岗百合银都国际大厦D栋30I P +86-755-8996 9226 ; 8996 9236 ; 8996 9220 F +86-755-8996 9217

Free Manuals Download Website

<http://myh66.com>

<http://usermanuals.us>

<http://www.somanuals.com>

<http://www.4manuals.cc>

<http://www.manual-lib.com>

<http://www.404manual.com>

<http://www.luxmanual.com>

<http://aubethermostatmanual.com>

Golf course search by state

<http://golfingnear.com>

Email search by domain

<http://emailbydomain.com>

Auto manuals search

<http://auto.somanuals.com>

TV manuals search

<http://tv.somanuals.com>