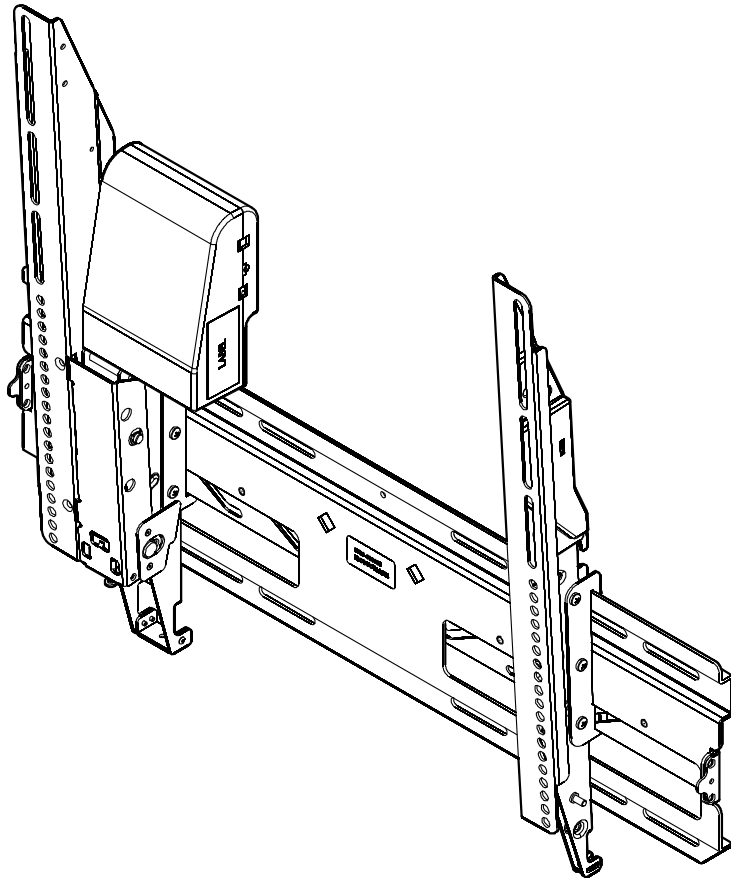

INSTALLATION INSTRUCTIONS



Automated Tilt Mounting System

 **CHIEF**[®]
Our Mounts. **Your Vision.**

CM8

DISCLAIMER

Milestone AV Technologies, and its affiliated corporations and subsidiaries (collectively, "Milestone"), intend to make this manual accurate and complete. However, Milestone makes no claim that the information contained herein covers all details, conditions or variations, nor does it provide for every possible contingency in connection with the installation or use of this product. The information contained in this document is subject to change without notice or obligation of any kind. Milestone makes no representation of warranty, expressed or implied, regarding the information contained herein. Milestone assumes no responsibility for accuracy, completeness or sufficiency of the information contained in this document.

Chief® is a registered trademark of Milestone AV Technologies. All rights reserved.



IMPORTANT WARNINGS AND CAUTIONS!



WARNING: A WARNING alerts you to the possibility of serious injury or death if you do not follow the instructions.



CAUTION: A CAUTION alerts you to the possibility of damage or destruction of equipment if you do not follow the corresponding instructions.



WARNING: Failure to read, thoroughly understand, and follow all instructions can result in serious personal injury, damage to equipment, or voiding of factory warranty! It is the installer's responsibility to make sure all components are properly assembled and installed using the instructions provided.



WARNING: Failure to provide adequate structural strength for this component can result in serious personal injury or damage to equipment! It is the installer's responsibility to make sure the structure to which this component is attached can support five times the combined weight of all equipment. Reinforce the structure as required before installing the component.



WARNING: Exceeding the weight capacity can result in serious personal injury or damage to equipment! It is the installer's responsibility to make sure the combined weight of all components attached to the CM8 does not exceed 150 lbs (68 kg).

LEGEND

	Tighten Fastener	
	Apretar elemento de fijación	Stram fastspændingsbeslag
	Befestigungsteil festziehen	Skruva åt fäste
	Apertar fixador	Kiristä kiinnike
	Serrare il fissaggio	Dokrećić element mocujący
	Bevestiging vastdraaien	Σφίξιμο Συνδέσμου
	Serrez les fixations	Bağlantıyı Sıkıştırın
	Сожмите Застежку	Rögzítő meghúzás

	Pencil Mark	
	Marcar con lápiz	Blyantmærke
	Stiftmarkierung	Pennmarkering
	Marcar com lápis	Piirretty merkki
	Segno a matita	Oznaczenie ołówkiem
	Potloodmerkteken	Σημάδι με μολύβι
	Marquage au crayon	Kalem İşareti
	Марка Карандаша	Ceruzajelölés

	Loosen Fastener	
	Aflojar elemento de fijación	Løsgør fastspændingsbeslag
	Befestigungsteil lösen	Lossa fäste
	Desapertar fixador	Irrota kiinnike
	Allentare il fissaggio	Poluzować element mocujący
	Bevestiging losdraaien	Χαλάρωση Συνδέσμου
	Desserrez les fixations	Bağlantıyı Gevşetin
	Ослабьте Застежку	Rögzítő kilazítás

	Drill Hole	
	Perforar	Borehul
	Bohrloch	Borra hål
	Fazer furo	Porausreikä
	Praticare un foro	Otwór wiercony
	Gat boren	Διάρθρωση οπής
	Percez un trou	Matkap Deligi
	Отверстие Тренировки	Lyukfúrás

	Phillips Screwdriver	
	Destornillador Phillips	Stjerneskuetrækker
	Kreuzschlitzschraubendreher	Krysskruvmejsel
	Chave de fendas Phillips	Ristipääruuviavain
	Cacciavite a stella	Śrubokręt krzyżakowy
	Kruiskopschroevendraaier	Κατσαβίδι Phillips
	Tournevis à pointe cruciforme	Phillips Tornavida
	Отвертка	Csillagfejű csavarhúzó

	Adjust	
	Ajustar	Juster
	Einstellen	Justera
	Ajustar	Säätää
	Regolare	Wyregulować
	Afstellen	Προσαρμογή
	Ajuster	Ayar
	Приспособьтесь	Beállítás

	Open-Ended Wrench	
	Llave de boca	Åben skruenøgle
	Gabelschlüssel	Fast nyckel
	Chave de bocas	Kiintoavain
	Chiave a punte aperte	Klucz płaski
	Steeksleutel	Κλειδί με ανοιχτό άκρο
	Clé à fourche	Açık Uçlu Anahtar
	Открытый Рывок	Villáskulcs

	Hex-Head Wrench	
	Llave de cabeza hexagonal	Sekskantet skruenøgle
	Sechskantschlüssel	Insexnyckel
	Chave de cabeça sextavada	Kuusiokoloavain
	Chiave esagonale	Klucz z 6bema sześciokątym
	Zeskantsleutel	Κλειδί εξαγωνικής κεφαλής
	Clé à tête hexagonale	Altigen Kafalı (Allen) Anahtar
	Главный ведемой Рывок	Hatszögfejű kulcs

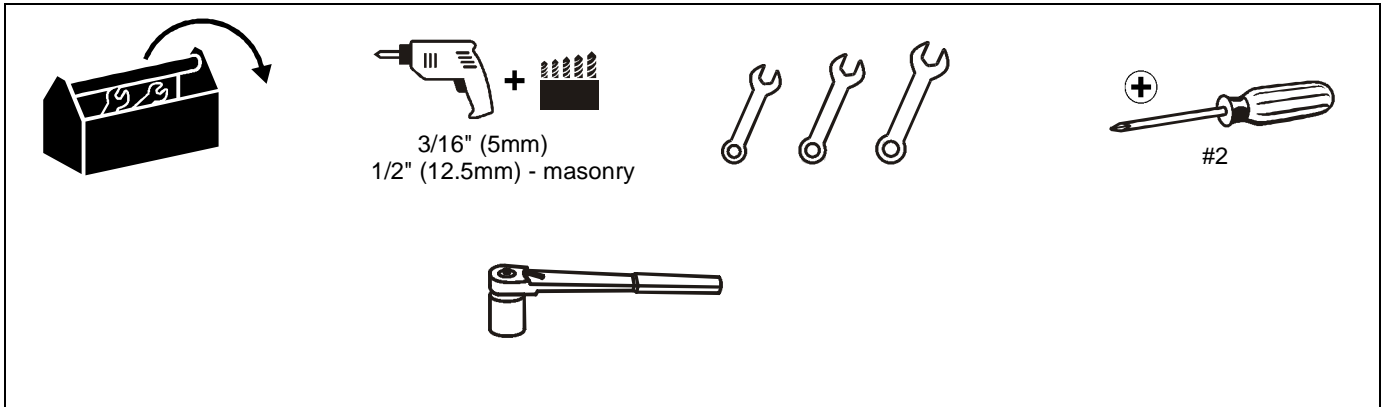
	By Hand	
	A mano	Med hånden
	Von Hand	För hand
	Com a mão	Käsin
	A mano	Ręcznie
	Met de hand	Με το χέρι
	À la main	El ile
	Вручную	Kézzel

	Socket Wrench	
	Llave de cubo	Hylseskruenøgle
	Steckschlüssel	Hylsnyckel
	Chave de caixa	Hylsyavain
	Chiave a brugola	Klucz nasadowy
	Dopsleutel	Σωληνωτό Κλειδί
	Clé à douilles	Lokma Anahtar
	Торцовый ключ	Csőkulcs

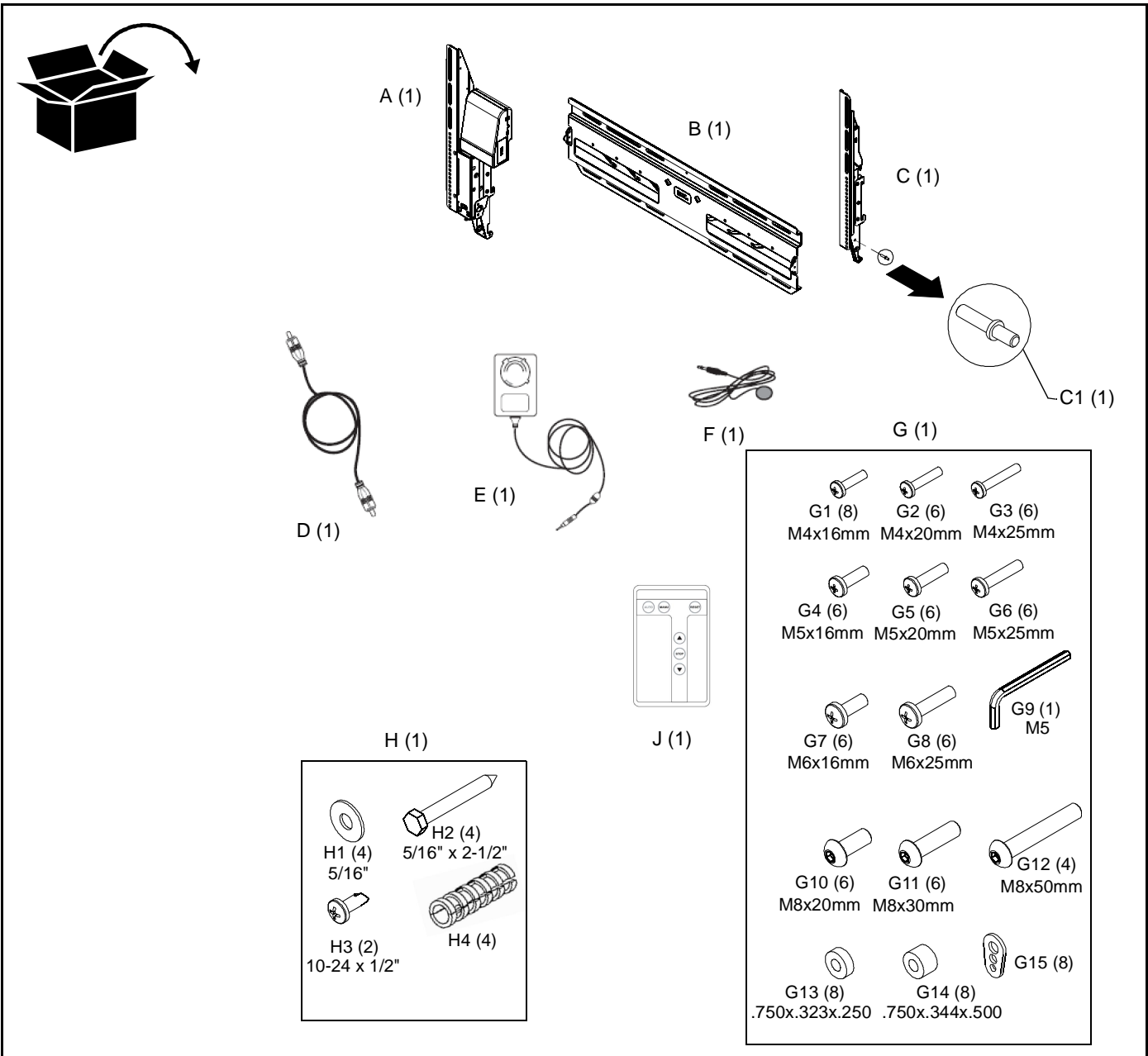
	Hammer	
	Martillo	Hammer
	Hammer	Hammare
	Martelo	Vasara
	Martello	Młotek
	Hamer	Σφυρί
	Marteau	Çekiç
	Молоток	Kalapács

	Measure	
	Medir	Mål
	Messen	Mät
	Medir	Mitta
	Misurare	Przymiar
	Meten	Μέτρο
	Mesurer	Ölçüm
	Мера	Mérték

TOOLS REQUIRED FOR INSTALLATION

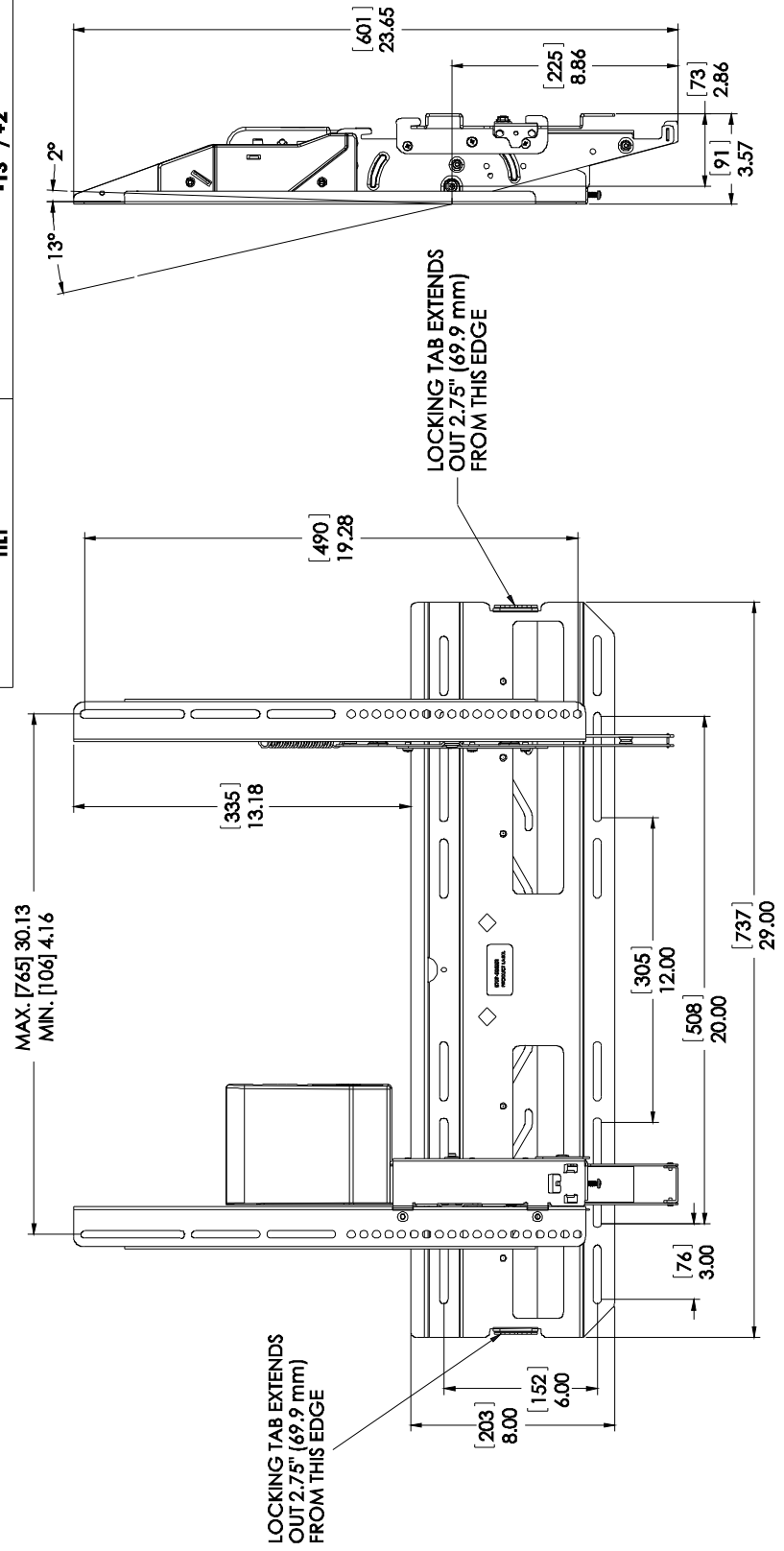


PARTS



DIMENSIONS

PRODUCT FEATURES	
WEIGHT CAPACITY	150 LBS (68 Kg)
MOUNTING PATTERN	WIDTH - 4.14" TO 30.13" (106 mm TO 765 mm) HEIGHT - UP TO 19.28" (490 mm)
TILT	-13° / +2°



ALL MEASUREMENTS ARE IN THE FOLLOWING FORMAT:
[MILLIMETERS]
INCHES

1

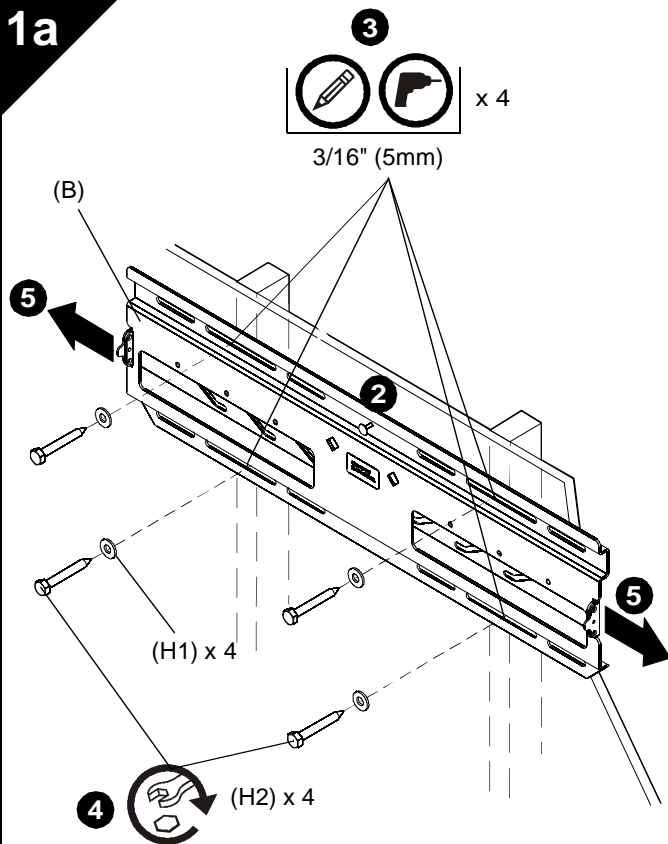
INSTALLATION



WARNING: IMPROPER INSTALLATION CAN LEAD TO MOUNT FALLING CAUSING SEVERE PERSONAL INJURY OR DAMAGE TO EQUIPMENT! It is the installers responsibility to make certain the structure to which the mount is being attached is capable of supporting five times the weight of the CM8 and all attached equipment not to exceed 150 lbs (68 kg).

NOTE: Instructions are included for installing the CM8 in a wood stud wall or a solid concrete wall application. Proceed to the appropriate section for further information.

1a

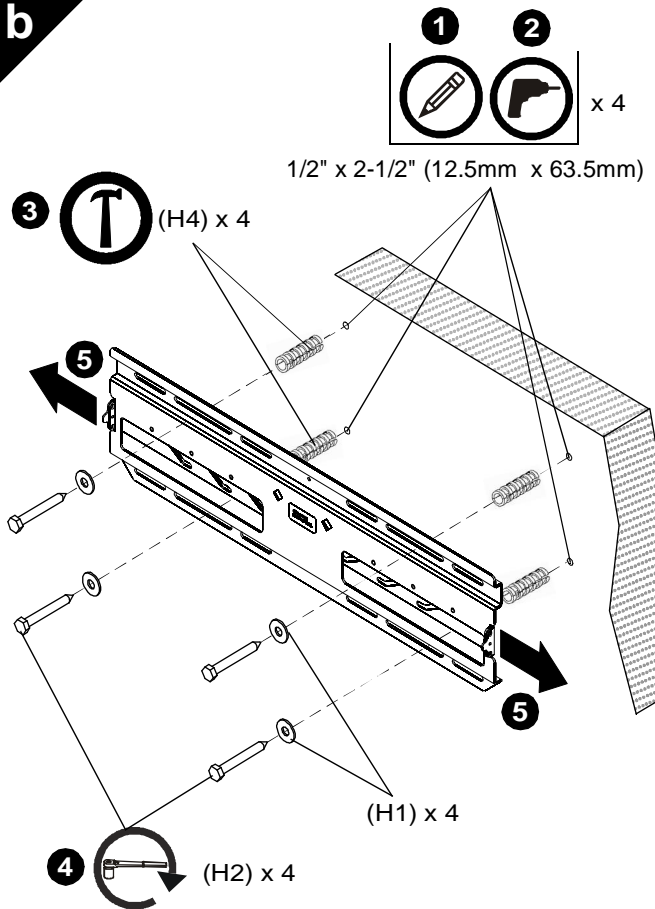


Wood Stud Installation

NOTE: Mount the wall bracket to at least two wooden studs spaced a minimum of 12" (30.4 cm) to a maximum of 24" (61.0 cm) apart.

1. Using a stud finder, locate and mark the two studs to which the CM8 will be installed.
2. Using a nail through the center hole of the wall bracket (B), temporarily hang the wall bracket on the wall at the install location.
3. Level wall bracket (B), mark and drill four 3/16" (5mm) mounting holes.
4. Fasten wall bracket to wall studs using four 5/16 x 2-1/2" hex head lag screws (H2) and four 5/16" flat washers (H1).
5. Slide latches to outside.

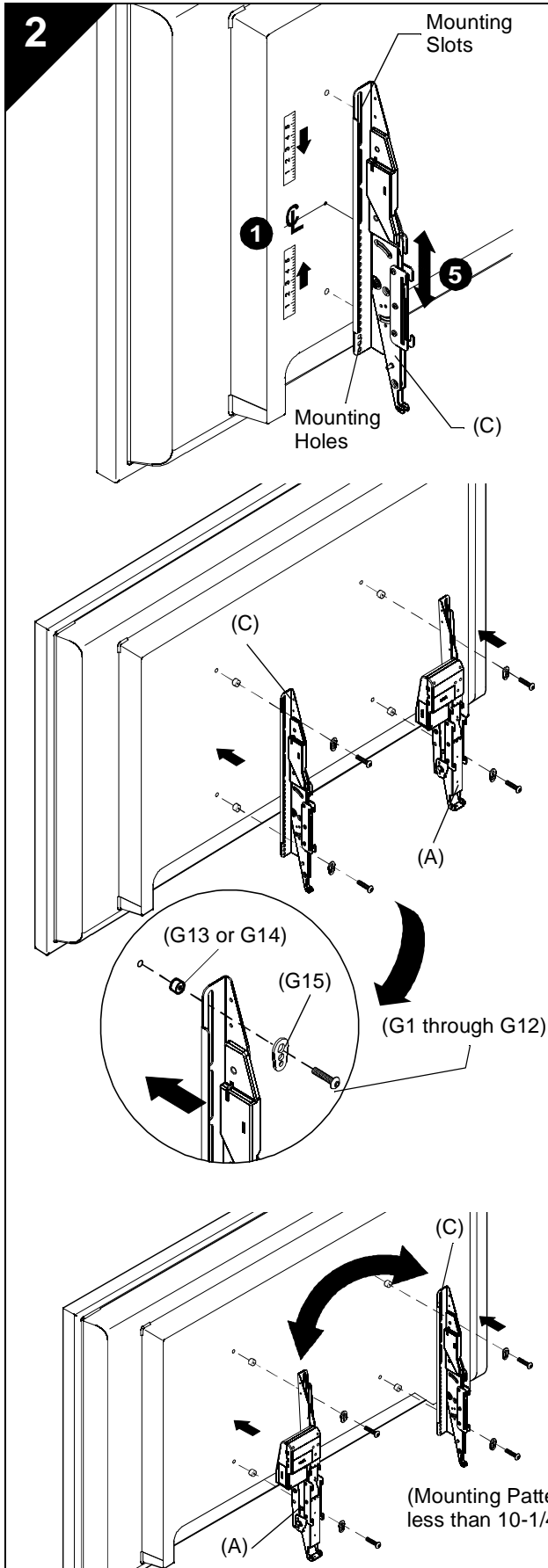
1b



Concrete Installation

NOTE: Mount the wall bracket in four spots, spaced a minimum horizontal distance of 12" (30.5cm).

1. Level wall bracket (B) and mark locations of pilot holes.
2. Drill four 1/2" x 2-1/2" (12.5mm x 63.5mm) pilot holes into mounting surface.
3. Install four anchors (H4) into pilot holes, inserting end that opens slightly first. Tap with hammer until flush with concrete surface.
4. Using a socket wrench, install four 5/16" x 2-1/2" hex head lag screws (H2) and four 5/16" flat washers (H1).
5. Slide latches to outside.



Attaching Brackets to Display



WARNING: IMPROPER INSTALLATION CAN LEAD TO MOUNT FALLING CAUSING SERIOUS PERSONAL INJURY OR DAMAGE TO EQUIPMENT! DO NOT substitute hardware. Only use hardware provided or specified by manufacturer.

NOTE: Locate Digital Optical Audio Output on back of display (if available).

1. Determine and mark the vertical center position between the left side upper and lower mounting holes in display.
2. Determine and mark the vertical center position between the right side upper and lower mounting holes in display.
3. Orient non-motorized mounting bracket (C) so that mounting holes are on bottom and mounting slots are on top.
4. Align mounting holes and slots in bracket (C) with upper and lower mounting holes on left side of display.

NOTE: For mounting pattern widths less than 10-1/4", reverse location of brackets (A) and (C).

5. Adjust mounting bracket (C) position until mark made in Step 1 aligns with center mark in bracket (C)

NOTE: Vertical center of mounting bracket is at bottom of third slot.

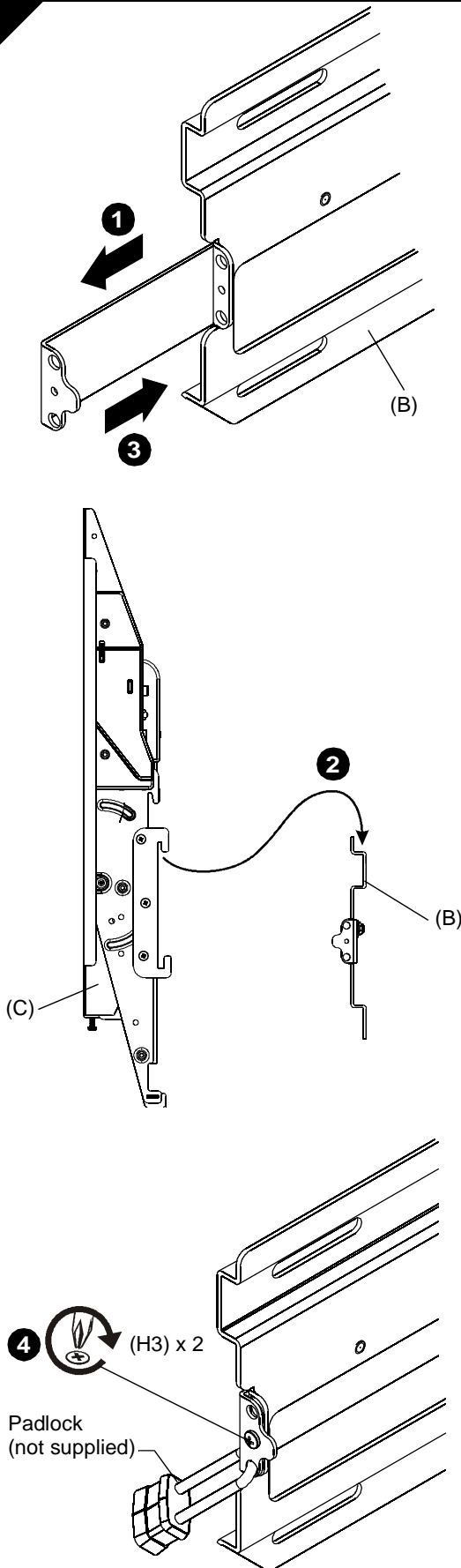
6. Secure bracket (C) to display using the screws provided (G1 through G12).

NOTE: Also use universal washers (G15) if using screws (G1 through G8).

NOTE: If the display has a recessed mounting surface, protrusions or a power box, a spacer and longer mounting hardware must be placed between the display and mounting bracket (C).

7. Repeat Steps 3 through 6 for motorized mounting bracket (A) using the same hole locations to align brackets horizontally.

3



Installing Display

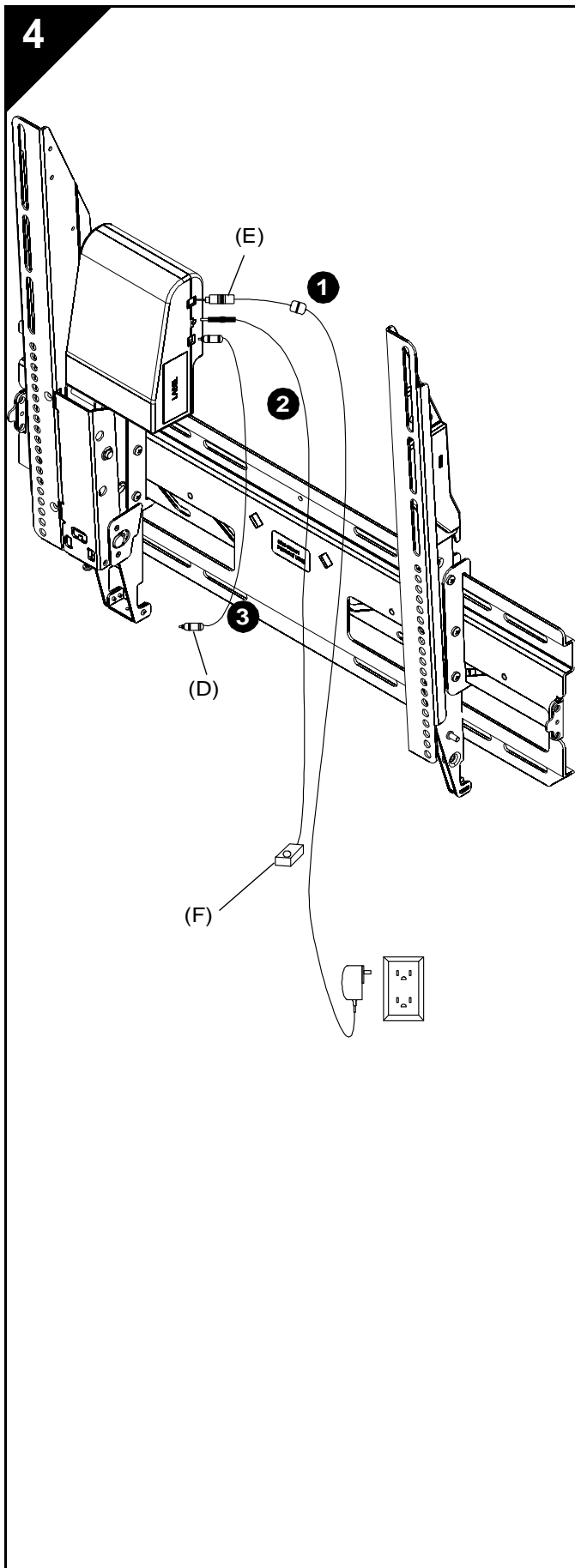


WARNING: IMPROPER INSTALLATION CAN LEAD TO DISPLAY FALLING CAUSING SERIOUS PERSONAL INJURY OR DAMAGE TO EQUIPMENT! Ensure mounting bracket hooks are completely engaged over wall bracket.



CAUTION: DISPLAY MAY WEIGH IN EXCESS OF 40 LBS! Always use two people and proper lifting techniques when installing or positioning display on wall bracket.

1. Slide wall bracket (B) side latches out.
2. Place display on wall bracket (B) by hooking the bracket hooks over the top of the wall bracket.
3. Secure display by sliding side latches in.
4. (Optional): For additional security, install two 10-24 x 1/2" Phillips head self-tapping screws (H3) and/or padlocks (not provided) into the slide latches.



Connecting Electrical Components

Electrical Rating: DC 12V; 0.4A



CAUTION: DAMAGE TO CABLES POSSIBLE! Do not run cables or wires near the moving parts of this mount.

1. Plug the AC adapter (E) into the CM8 control box and the home's electrical socket.
2. Plug the IR receiver (F) into the CM8 control box, and attach the head to bottom side of display.

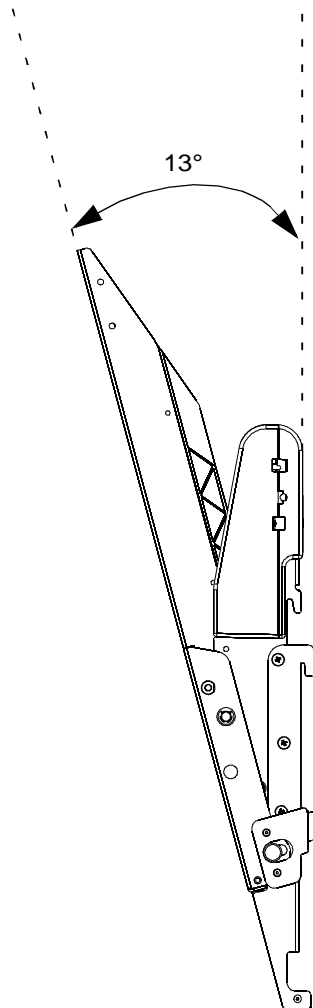
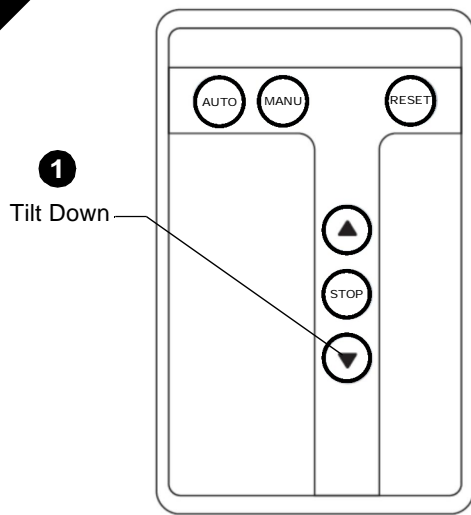
NOTE: The CM8 detects whether the display is ON or OFF by detecting whether the LED light (red) from the Digital Optical Audio Output is ON or OFF. In Auto-Mode the CM8 tilts the display down when the LED light is ON, and returns the display to the upright position when the LED light is OFF.

NOTE: Use an optical splitter (not provided) to send signals to the control box if the Audio Digital Optical Output of the display is being used to drive speakers.

3. (Optional) Plug the optical cable (D) into the CM8 control box and the Digital Optical Audio Output on the back of the display.

NOTE: IR receiver (F) must be visible from front of display.

5



Adjusting Tilt

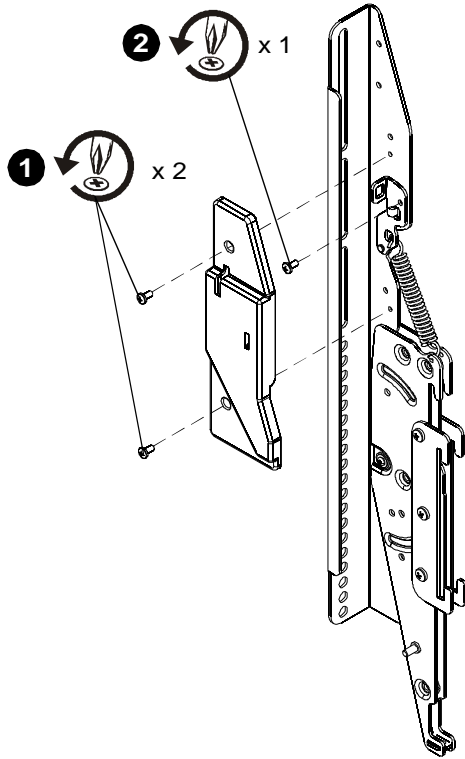
NOTE: Remove plastic tab from remote control (J) before use.

1. Use the down arrow button on the remote control (J) to fully tilt down the display.

NOTE: The CM8 is designed to tilt the display down a maximum of 13°. The maximum tilt angle may vary depending on the application.

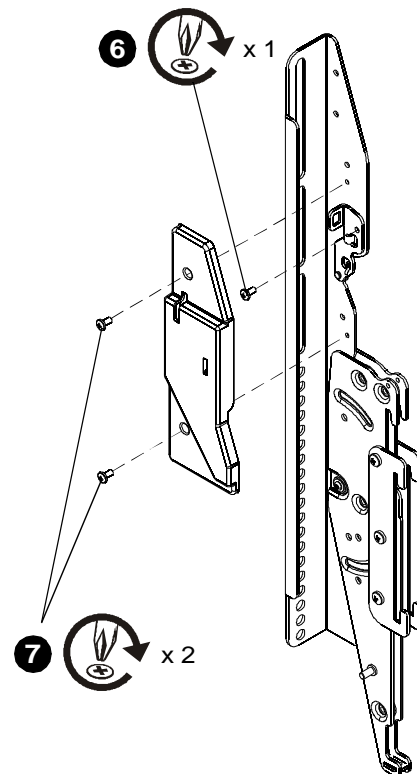
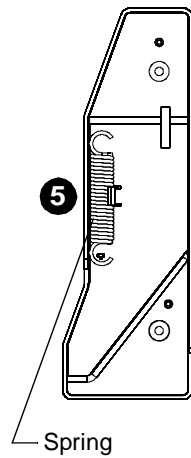
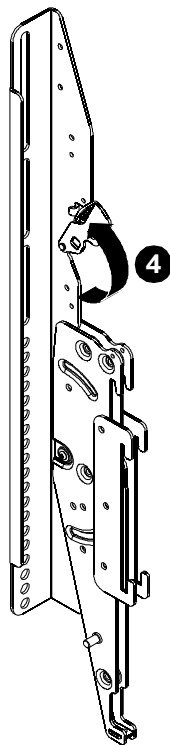
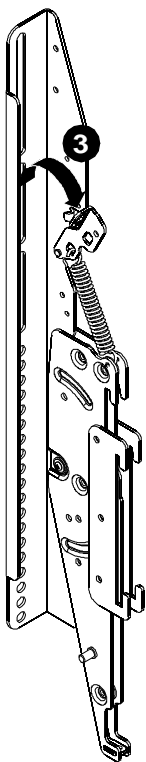
2. Visually check to see if the display tilts down fully.
 - If the display does NOT tilt down fully, proceed to Section 6.
 - If the display DOES tilt down fully, proceed to Section 7.

6

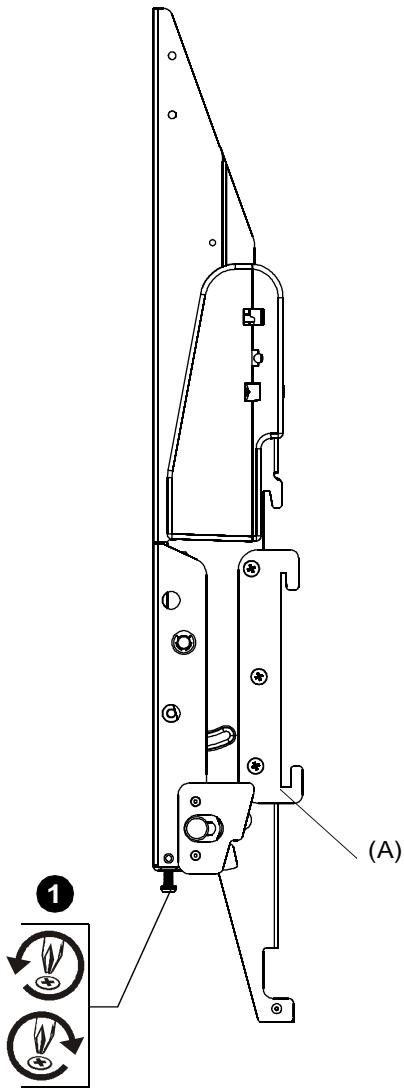


Removing Spring to Tilt Display

1. Remove and keep two Phillips screws from plastic cover on non-motorized bracket (C).
2. Remove and keep one Phillips screw from latch.
3. Lower latch to remove spring.
4. Return latch to original position.
5. Store spring in plastic cover.
6. Reinsert screw holding the latch.
7. Reinstall plastic cover using two screws removed in Step 1.
8. Use the down arrow button on the remote control (J) to tilt down the display. The display should now tilt down fully.



7



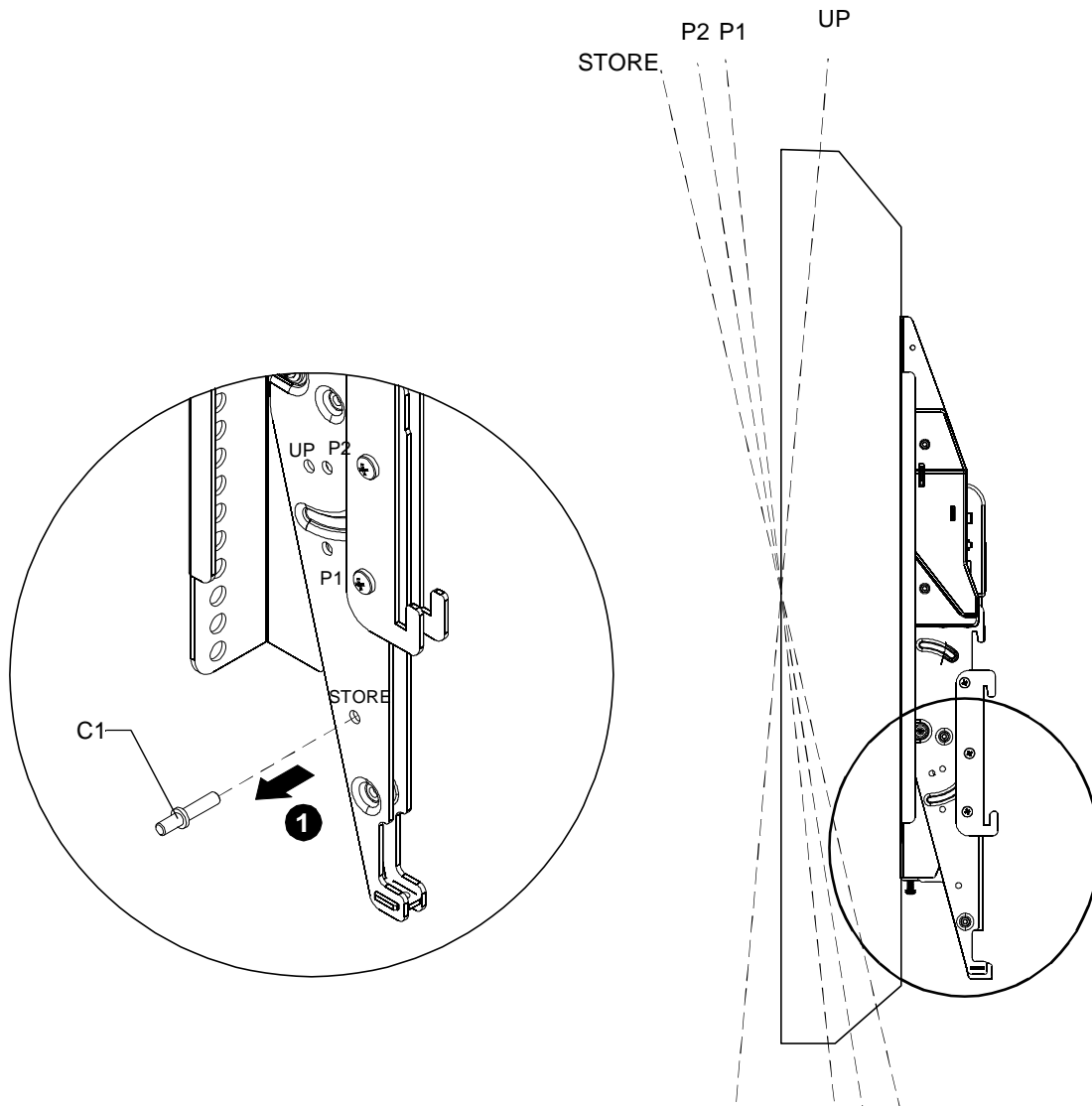
Adjusting Upright Position of Display (Optional)

1. Adjust upright position of display (+/- 2°) by turning the bottom screw on the motorized bracket (A).

8

Setting Preset Position

1. Remove pin (C1) from STORE opening.
2. Insert pin into appropriate opening dependent on tilt angle desired:
 - Insert pin into "P1" for maximum preset tilt angle of approximately 6°.
 - Insert pin into "P2" for maximum preset tilt angle of approximately 9°.
 - Insert pin into "STORE" for full tilt angle of 13°.
 - Insert pin into "UP" to lock the display in the up position (approximately 5°).





Our Mounts. **Your Vision.**

Chief Manufacturing, a division of
Milestone AV Technologies

8820-000037
©2008 Milestone AV Technologies
www.chiefmfg.com
08/08

USA/International	A 8401 Eagle Creek Parkway, Savage, MN 55378 P 800.582.6480 / 952.894.6280 F 877.894.6918 / 952.894.6918
Europe	A Fellenoord 130 5611 ZB EINDHOVEN, The Netherlands P +31 (0)40 2668620 F +31 (0)40 2668615
Asia Pacific	A Room 24F, Block D, Lily YinDu International Building LuoGang, BuJi Town, Shenzhen, CHINA. 深圳市布吉罗岗村百合银都国际大厦D栋24F P +86-755-8996 9226 F +86-755-8996 9217

Free Manuals Download Website

<http://myh66.com>

<http://usermanuals.us>

<http://www.somanuals.com>

<http://www.4manuals.cc>

<http://www.manual-lib.com>

<http://www.404manual.com>

<http://www.luxmanual.com>

<http://aubethermostatmanual.com>

Golf course search by state

<http://golfingnear.com>

Email search by domain

<http://emailbydomain.com>

Auto manuals search

<http://auto.somanuals.com>

TV manuals search

<http://tv.somanuals.com>