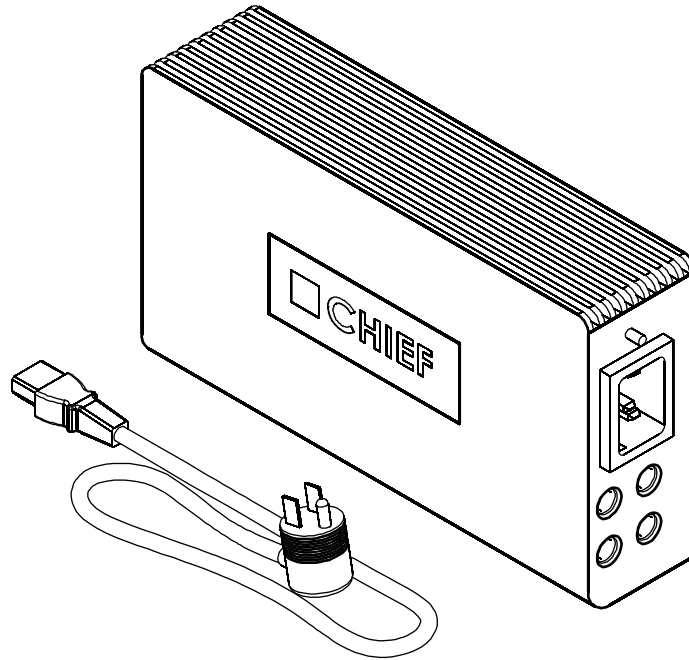


# INSTALLATION INSTRUCTIONS



## Power Conditioner Accessory

 **CHIEF**<sup>®</sup>

**PACPC1**

### DISCLAIMER

CSAV, Inc., and its affiliated corporations and subsidiaries (collectively, "CSAV"), intend to make this manual accurate and complete. However, CSAV makes no claim that the information contained herein covers all details, conditions or variations, nor does it provide for every possible contingency in connection with the installation or use of this product. The information contained in this document is subject to change without notice or obligation of any kind. CSAV makes no representation of warranty, expressed or implied, regarding the information contained herein. CSAV assumes no responsibility for accuracy, completeness or sufficiency of the information contained in this document.

### IMPORTANT WARNINGS AND CAUTIONS!

**WARNING:** A WARNING alerts you to the possibility of serious injury or death if you do not follow the instructions.

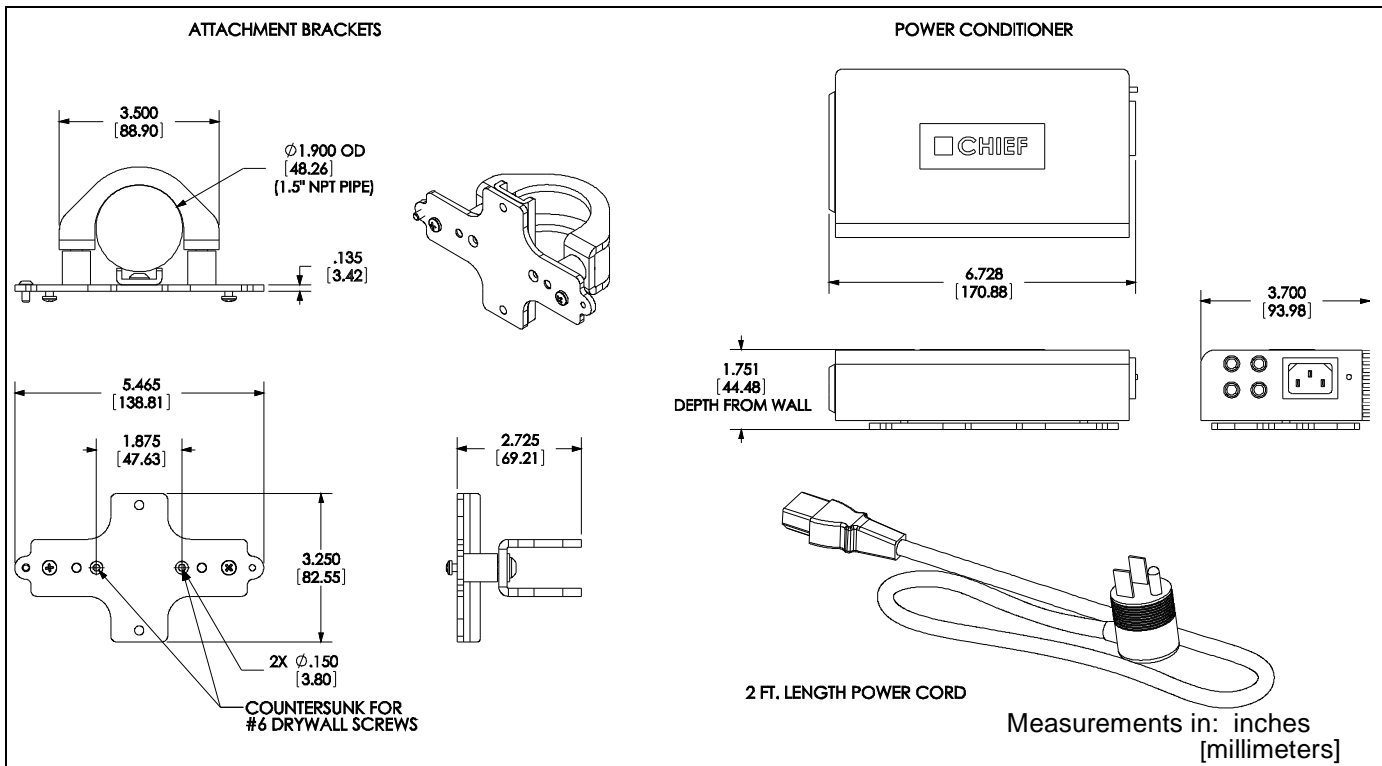
**CAUTION:** A CAUTION alerts you to the possibility of damage or destruction of equipment if you do not follow the corresponding instructions.

**WARNING:** Failure to read, thoroughly understand, and follow all instructions can result in serious personal injury, damage to equipment, or voiding of factory warranty! It is the installer's responsibility to make sure all components are properly assembled and installed using the instructions provided.

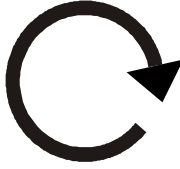
**WARNING:** Failure to provide adequate structural strength for this component can result in serious personal injury or damage to equipment! It is the installer's responsibility to make sure the structure to which this component is attached can support five times the combined weight of all equipment. Reinforce the structure as required before installing the component.


**WARNING:** Exceeding weight capacity can result in serious personal injury or damage to equipment! It is the installer's responsibility to make sure the combined weight of all components does not exceed the maximum allowable weight of the mount to which this accessory is being installed.

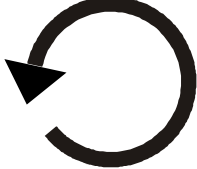
### DIMENSIONS




**LEGEND**

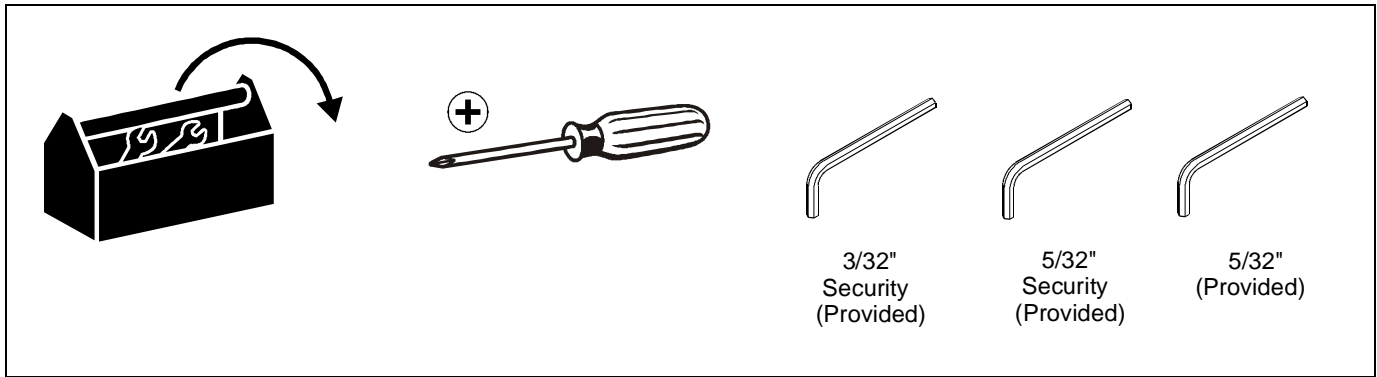
|   |                              |
|---|------------------------------|
|  | <b>Tighten Fastener</b>      |
|   | Apretar elemento de fijación |
|   | Befestigungsteil festziehen  |
|   | Apertar fixador              |
|   | Serrare il fissaggio         |
|   | Bevestiging vastdraaien      |
| Serrez les fixations  |                              |

|  |                        |
|--|------------------------|
|  | <b>Security Wrench</b> |
|  | Llave de seguridad     |
|  | Sicherheitsschlüssel   |
|  | Chave de segurança     |
|  | Chiave di sicurezza    |
|  | Veiligheidssleutel     |
| Clé de sécurité  |                        |

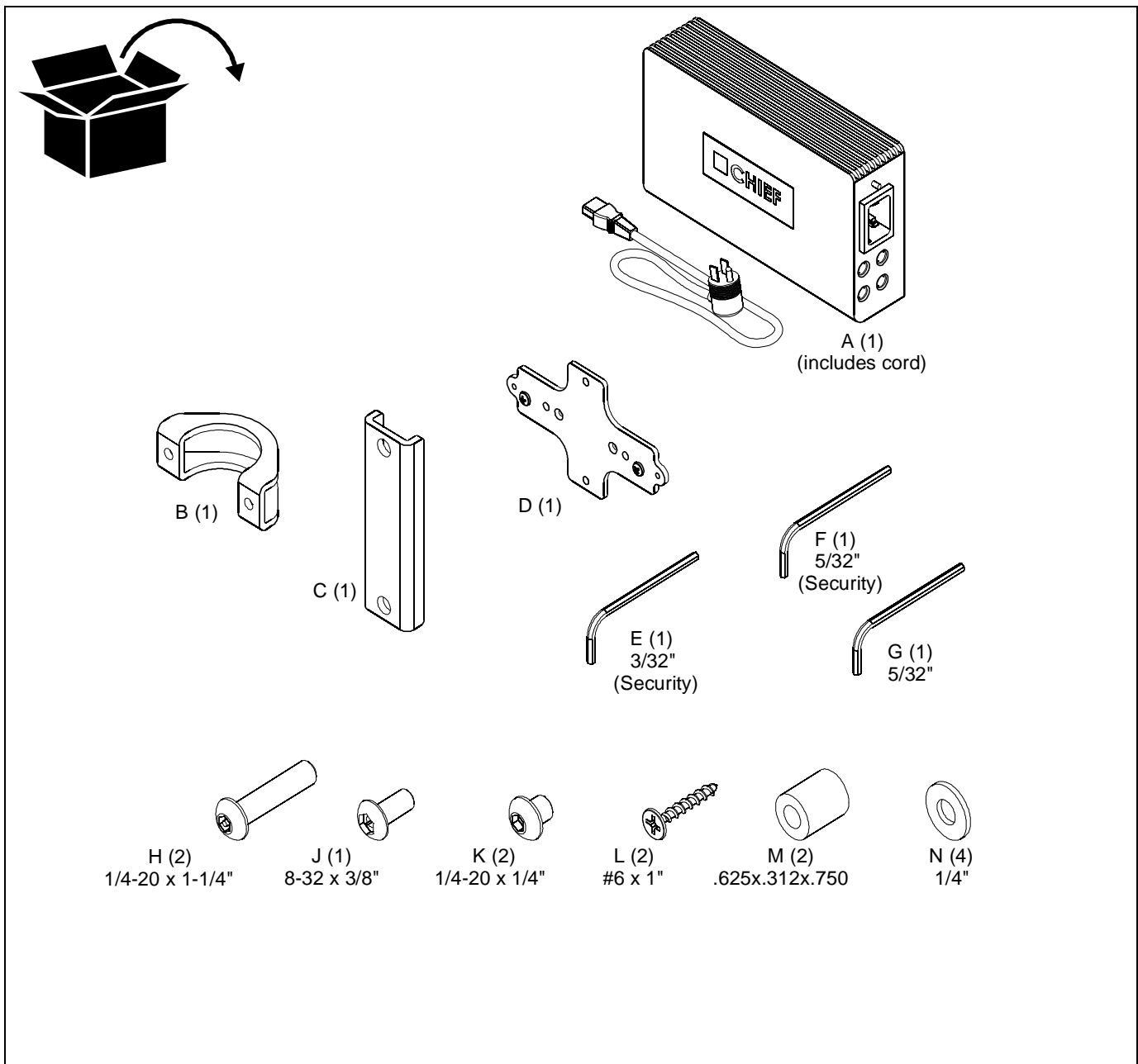
|   |                              |
|---|------------------------------|
|  | <b>Loosen Fastener</b>       |
|   | Aflojar elemento de fijación |
|   | Befestigungsteil lösen       |
|   | Desapertar fixador           |
|   | Allentare il fissaggio       |
|   | Bevestiging losdraaien       |
| Desserrez les fixations   |                              |

|  |                |
|--|----------------|
|  | <b>By Hand</b> |
|  | A mano         |
|  | Von Hand       |
|  | Com a mão      |
|  | A mano         |
|  | Met de hand    |
| À la main  |                |

### TOOLS REQUIRED FOR INSTALLATION



### PARTS



## INSTALLATION

### Attaching to Drywall

1. Attach bracket (D) to drywall using two #6 x 1" drywall screws (L). (See Figure 1)

**NOTE:** Do NOT overtighten drywall screws.

2. Proceed to **Installing Conditioner.**

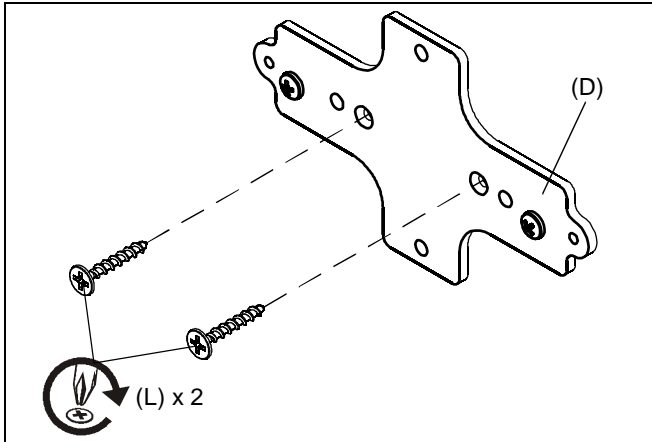


Figure 1

### Attaching to Wood Stud

1. Drill two 0.08" pilot holes into wood stud. (See Figure 2)
2. Attach bracket (D) to wall using two #6 x 1" drywall screws (L).
3. Proceed to **Installing Conditioner.**

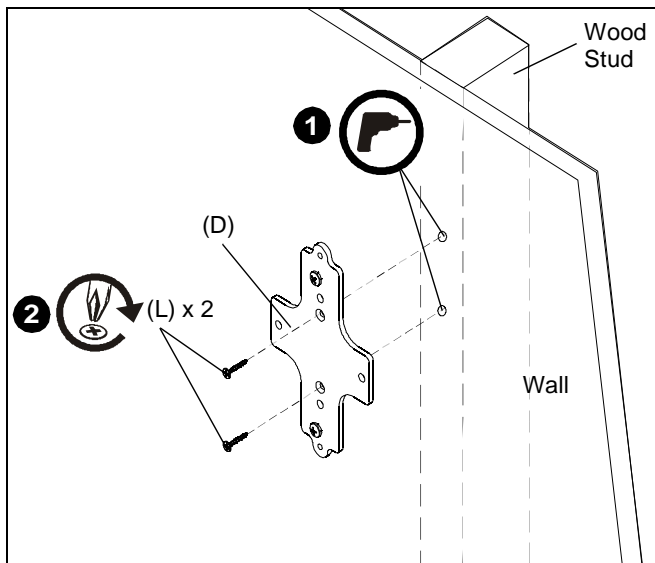


Figure 2

### Attaching to 1-1/2" NPT Pole

1. Attach bracket (D) to pole mount bracket (C) using two 1/4-20 x 1/4" buttonhead screws (K). (See Figure 3)

**NOTE:** The bracket can be installed for either horizontal or vertical attachment of the conditioner. (See Figure 3)

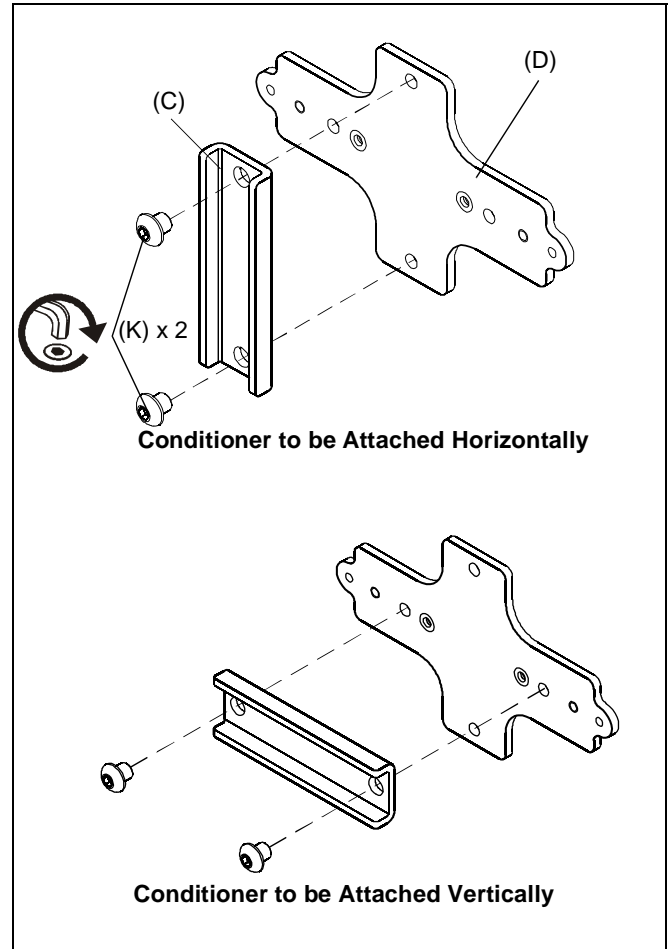


Figure 3

2. Attach pole clamp (B) around the pole to the pole mount bracket using two 1/4-20 x 1-1/4" buttonhead security screws (H), four 1/4" washers (N), and two spacers (M). (See Figure 4)

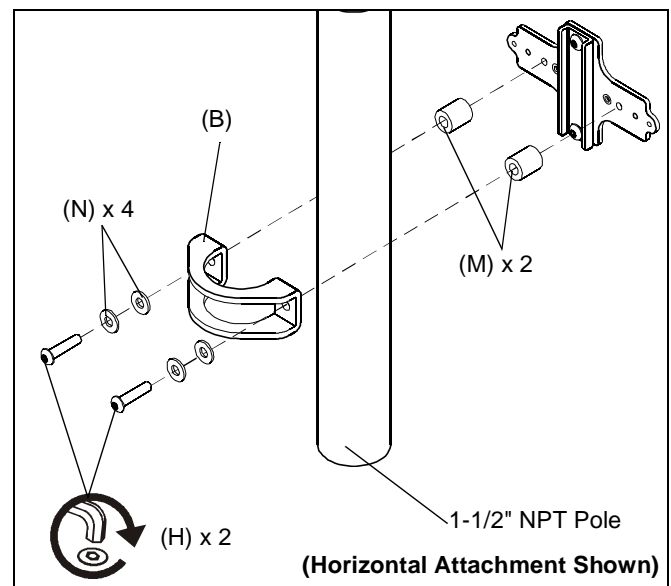


Figure 4

## Installing Conditioner

1. Insert conditioner slots onto Phillips screws in bracket.  
(See Figure 5)
2. Slide conditioner left or right. (See Figure 5)
3. Remove conditioner to adjust Phillips screws in bracket as necessary for desired tension in mount.

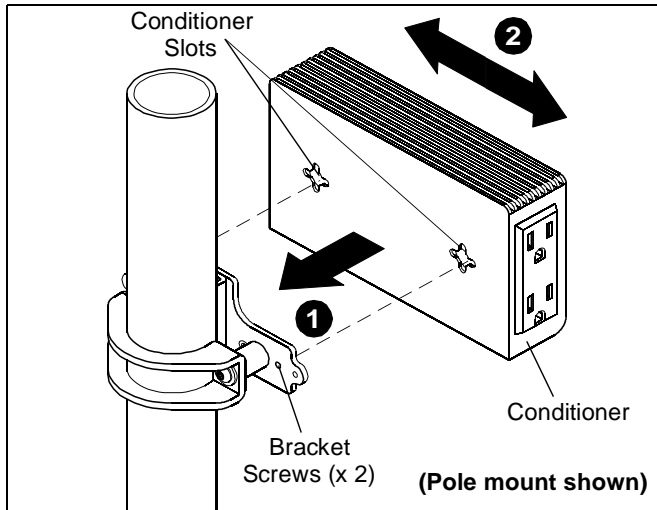


Figure 5

4. OPTIONAL: For additional security, insert and tighten one 8-32 x 3/8" buttonhead security screw (J) through the bracket into the conditioner. (See Figure 6)

**NOTE:** Use optional security screw in pole mount application only.

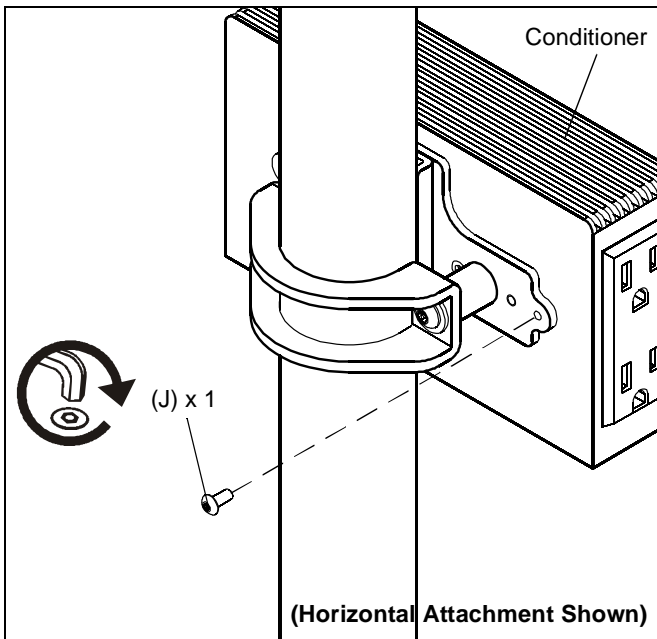


Figure 6





8832-000240

©2007 Chief Manufacturing  
www.chiefmfg.com  
09/07

|                          |   |
|--------------------------|---|
| <b>USA/International</b> | <b>A</b> 8401 Eagle Creek Parkway, Savage, MN 55378<br><b>P</b> 800.582.6480 / 952.894.6280<br><b>F</b> 877.894.6918 / 952.894.6918   |
| <b>Europe</b>            | <b>A</b> Fellenoord 130 5611 ZB EINDHOVEN, The Netherlands<br><b>P</b> 31 (0)20 5708923<br><b>F</b> 31 (0)20 5708989  |
| <b>Asia Pacific</b>      | <b>A</b> Room 30I, Block D, Lily YinDu International Building<br>LuoGang, BuJi Town, Shenzhen, CHINA. Post Code: 518112<br>深圳市布吉罗岗百合银都国际大厦D栋30I<br><b>P</b> +86-755-8996 9226 ; 8996 9236 ; 8996 9220<br><b>F</b> +86-755-8996 9217 |



## Free Manuals Download Website

<http://myh66.com>

<http://usermanuals.us>

<http://www.somanuals.com>

<http://www.4manuals.cc>

<http://www.manual-lib.com>

<http://www.404manual.com>

<http://www.luxmanual.com>

<http://aubethermostatmanual.com>

Golf course search by state

<http://golfingnear.com>

Email search by domain

<http://emailbydomain.com>

Auto manuals search

<http://auto.somanuals.com>

TV manuals search

<http://tv.somanuals.com>