

LX900

Boardrooms
Houses of worship
Large conference rooms
Rental/Staging
Small auditoriums



Bright and flexible, designed to fit any installation

Christie's latest digital projector provides high brightness at 9000 ANSI lumens and a 2000:1 contrast ratio from a dual lamp, optical engine. The Christie LX900 boasts high performance, low maintenance and an overall low cost of ownership.

The Christie LX900 features inorganic LCD technology that provides a long life optical engine designed for exceptional image performance without compromise. Enhanced by 10-bit video processing, the Christie LX900 produces natural, color tone reproduction, picture stability (without image noise) and flawless video playback.

Dual lamps deliver the same incredible brightness as the competition achieves with four lamps, with less maintenance and lower cost of operation. Auto-switching lamps in single-lamp mode allows for

redundancy in critical operations as well as ease of use by providing intuitive technology for continued operation.

Service intervals are extended using a new AutoFilter air filtration system. This easy-to-use cartridge system automatically rotates a new sheet of filter for up to 10,000 hours (in typical conditions) before requiring replacement.

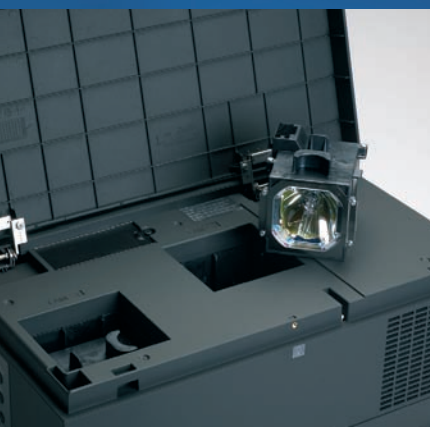
With a suite of optional high performance lenses and a range of input modules, you can match the capabilities of the LX900 to the signals you require – including HD-SDI sources. The Christie LX900 is flexible enough for virtually any installation including large conference rooms, medium-size auditoriums and staging applications. With stacking capability, you can easily increase brightness by combining two units.

CHRISTIE®

LX900



▲ AutoFilter system provides 10,000 hours of hassle-free operation (typical use), before having to replace the cartridge, reducing the total cost of ownership of the projector.



▲ The LX900 new dual lamp design provides high brightness and increased uniformity even in a single lamp mode.

Image	brightness	<ul style="list-style-type: none"> • 9000 ANSI lumens (dual lamp) 	
	contrast	<ul style="list-style-type: none"> • 2000:1 (full on/off) 	
	uniformity	<ul style="list-style-type: none"> • 90% brightness uniformity (corner to center) 	
Display	type	<ul style="list-style-type: none"> • 3 x 1.8" Inorganic LCDs 	
	native resolution	<ul style="list-style-type: none"> • True XGA 1024 x 768 	
Lamp	type	<ul style="list-style-type: none"> • Dual 330W NSHA 	
	life	<ul style="list-style-type: none"> • Normal mode: 2000 hours, Eco mode: 3000 hours 	
Input	signals	<ul style="list-style-type: none"> • VGA through to UXGA (1600 x 1200) • NTSC, NTSC 4.43, PAL, PAL M, SECAM, PAL-N, PAL 60 • Accepts current HDTV/DTV formats (480i, 480p, 575i, 575p, 720p, 1035i and 1080i (1080p via Digital connection only) • 10-bit digital processing (1.07 billion color reproduction capability) 	
		pixel clock	<ul style="list-style-type: none"> • 230 MHz
	scan rates	<ul style="list-style-type: none"> • Horizontal: 15 to 120 kHz, Vertical: 48 to 120 Hz 	
Inputs, control and networking	<ul style="list-style-type: none"> • Input 1: DVI-D x 1, HD15 x 1 • Input 2: BNC x 5 (R,G,B,H,V & Y,Pb/Cb, Pr/Cr & Composite), Mini DIN 4-pin (S-Video) • Serial input: Dsub-9 x 1, Serial output: Dsub-9 x 1 • R/C jack - mini jack x 1 		
	Optical system	<ul style="list-style-type: none"> • Motorized zoom, focus and lens shift • Lens shift: horizontal left/right 10%; vertical up/down ±50% (calculations based on center lens center image using Standard Zoom Lens) • Mechanical light shutter 	
Lenses	<ul style="list-style-type: none"> • Short Fixed: 0.8:1 • Short Fixed: 1.2:1 • Short Zoom: 1.4–1.8:1 • Short Zoom: 1.5–2.0:1 • Short Zoom: 1.2–1.5:1 • Standard Zoom: 2.0–2.6:1 • Standard Zoom: 2.6–3.5:1 • Semi Long Zoom: 3.5–4.5:1 • Long Zoom: 4.4–6.2:1 • Long Zoom: 6.3–9.0:1 	part numbers	<ul style="list-style-type: none"> • 38-809043-52 • 38-809036-52 • 38-809037-52 • 38-809094-51 • 103-103101-01 • 38-809039-52 • 38-809044-52 • 38-809040-52 • 38-809042-52 • 38-809070-51
			Accessories
Option boards	<ul style="list-style-type: none"> • DVI/Dsub15 module • 5-BNC/Video module • DVI module • 5-BNC module • Dsub-15 module • Warp and blending module • SDI-Dual module 	part numbers	<ul style="list-style-type: none"> • 103-113106-01 • 103-114107-01 • 103-104101-01 • 38-804716-54 • 38-804718-52 • 103-102101-01 • 38-804790-51
			Replacement lamp

Enhanced feature sets

- Customizable start-up logo
- Auto-switching lamp feature (single lamp mode)
- Digital keystone feature: $\pm 50^\circ$ vertical (max); $\pm 10^\circ$ horizontal (max)
- Intuitive graphical user interface
- Built-in keypad (power on/standby, menu, up, down, left, right arrows)
- Front and rear infrared sensors for IR keypad
- Built-in RS-232 port
- Carrying handle
- Auto Discoloration Prevention with 3D-AUCC technology

Power requirements

- operating voltage • 100–120V and 200–240V $\pm 10\%$
- operating current • 4.6A max @ 100–120 VAC 50/60 Hz; 2.3A max @ 200–240 VAC 50/60 Hz
- power • 430W
- dissipation • 1590 BTU/hr

Dimensions

- size • (LxWxH) 29.8 x 20.9 x 10.3" (757 x 530 x 267.5 mm) - includes feet protrusion
- shipping dimensions • (LxWxH) 37.4 x 33.3 x 21.3" (951 x 846 x 542 mm)
- weight • 60.85 lb (27.6 kg)
- shipping weight • 83.8 lb (38.0 kg)

Noise

- Normal mode: 47 dBA, Eco mode: 46 dBA

Operating environment

- Temperature: 41 to 104° F (5 to 40° C)
- Storage temperature: 14 to 140° F (-10 to 60° C)
- Humidity: 20 – 80% non-condensing
- Altitude: 0–8858ft (0–2700m)

Regulatory approvals

This product conforms to the following regulations related to product safety, environmental requirements and electromagnetic compatibility (EMC):

- FCC Part 15, Subpart B Class A
- CISPR22/EN55022
- CISPR24/EN55024
- UL 60950-1 First edition
- CAN/CSA-C22.2 No 60950-1-03 First edition
- IEC60950-1:2001
- 2002/95/EC RoHS

Limited warranty

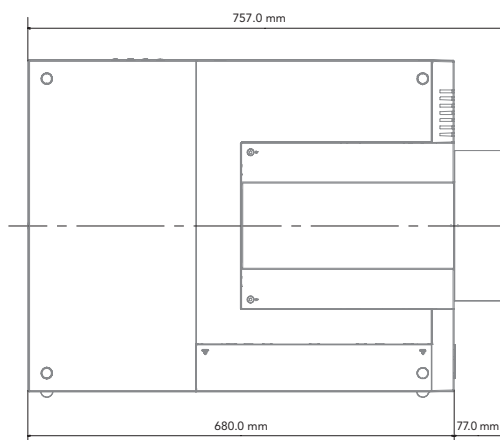
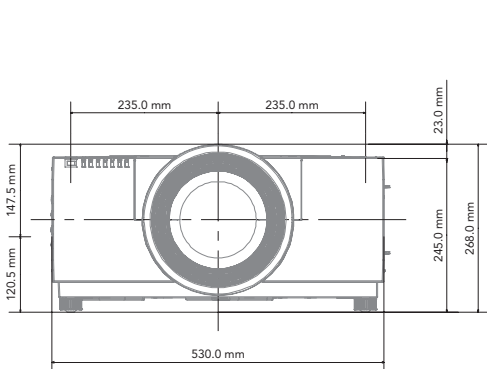
- Projector: 3 years parts and labor
- Lamp: 120 days or 500 hours, whichever comes first
- Contact an authorized Christie representative for full details of our limited warranty



▲ Easy to use key pad allows for direct access to the projector's menu, lens shift, focus, mechanical shutter and input selections.



▲ The LX900 offers input flexibility by providing two option board slots to allow for additional signal connectivity from a variety of option cards.



Corporate offices

USA – Cypress
ph: 714-236-8610
Canada – Kitchener
ph: 519-744-8005

Worldwide offices


United Kingdom
ph: +44 118 977 8000
Germany
ph: +49 2161 664540
France
ph: +33 (0) 1 41 21 44 04

Hungary/Eastern Europe
ph: +36 (0) 1 47 48 100
Singapore
ph: +65 6877 8737
Shanghai
ph: +86 21 6278 7708

Beijing
ph: +86 10 6561 0240
Korea
ph: +82 2 702 1601
Japan
ph: +81 3 3599 7481



For the most current specification information, please visit www.christiedigital.com

 Copyright 2008 Christie Digital Systems, Inc. All rights reserved. All brand names and product names are trademarks, registered trademarks or tradenames of their respective holders. Canadian manufacturing facility is ISO 9001 and 14001 certified. Performance specifications are typical. Due to constant research, specifications are subject to change without notice. Printed in Canada on recycled paper. 2333 Mar 08

CHRISTIE®

Free Manuals Download Website

<http://myh66.com>

<http://usermanuals.us>

<http://www.somanuals.com>

<http://www.4manuals.cc>

<http://www.manual-lib.com>

<http://www.404manual.com>

<http://www.luxmanual.com>

<http://aubethermostatmanual.com>

Golf course search by state

<http://golfingnear.com>

Email search by domain

<http://emailbydomain.com>

Auto manuals search

<http://auto.somanuals.com>

TV manuals search

<http://tv.somanuals.com>