

Chromalox®

Installation, Operation

and

RENEWAL PARTS IDENTIFICATION

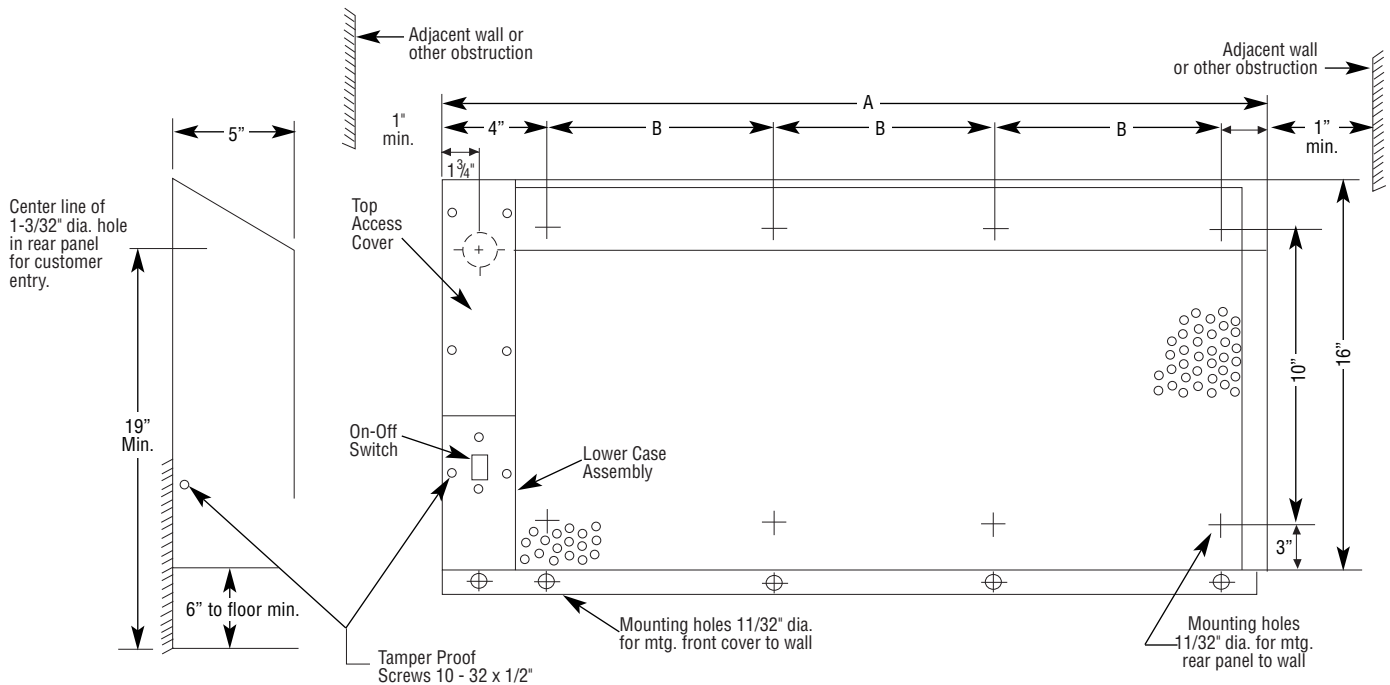
SERVICE REFERENCE

DIVISION 4	SECTION ICH
SALES REFERENCE (Supersedes PF443)	PF443-1
161-511739-001	
DATE OCTOBER, 2004	

Type ICH Convection Heater

NOTICE: Carefully remove heater from carton and check for shipping damage. Any damage claims should be entered immediately with the carrier.

DANGER: This heater is not intended for use in hazardous atmospheres where flammable vapors, gases, liquids or other combustible atmospheres are present as defined in the National Electrical Code. Failure to comply can result in explosion or fire.



Specifications

Model	Voltage	Wattage	Phase	Dimensions (In.)	
				A	B
ICH-18025	120, 208, 240, 277	250	1	18	12
ICH-28050		500	1	28	22
ICH-38075		750	1	38	16
ICH-45100		1000	1	48	14
ICH-60125		1250	1	60	18
ICH-72100		1500	1	72	16 1/2

MOUNTING

WARNING: Hazard of Electric Shock. Disconnect all power before installing heater.

1. Locate on vertical wall with length of heater positioned horizontally.
2. When selecting a mounting location, the following minimum distances must be observed to insure proper operation.
 - A. Six (6") inches from bottom of heater to floor.
 - B. One (1") inch from wall or other obstruction to the right or left side of heater.
3. Do not mount heater in a recess, since such mounting interferes with free air circulation, increases temperatures and prevents proper thermostat operation.
4. Mount the rear panel assembly of the heater to the wall using the $\frac{11}{32}$ " dia. holes (bolts to be supplied by customer).

5. Install the perforated cover by hooking the top edge of the cover over the top edge of rear panel.
6. Attach the bottom lip of the perforated cover to the wall using the $\frac{1}{4}$ -20x1" tamper proof screws.
7. On lower cover assembly connect wires T1-T1 and T2-T2 with wire nuts provided. Install cover assembly with (2) 10-32x $\frac{1}{2}$ and (1) $\frac{1}{4}$ -20x1" tamper proof screws. Use special magnetic bits provided. (Use standard $\frac{5}{16}$ socket or variable speed drill when attaching screws.
8. Wire power lines to pigtail leads marked L1 and L2. Connect ground wire to the green pigtail lead.
9. Adjust thermostat to the desired setting. Install top access cover with (4) 10-32x $\frac{1}{2}$ tamper proof screws using spanner tool bits provided.

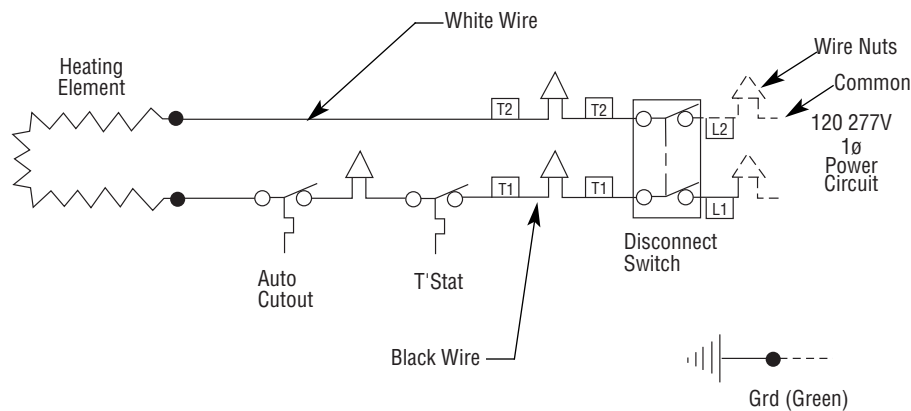
WIRING

WARNING: Hazard of Electrical Shock. Any installation involving electric heaters must be grounded to earth to eliminate shock hazard.

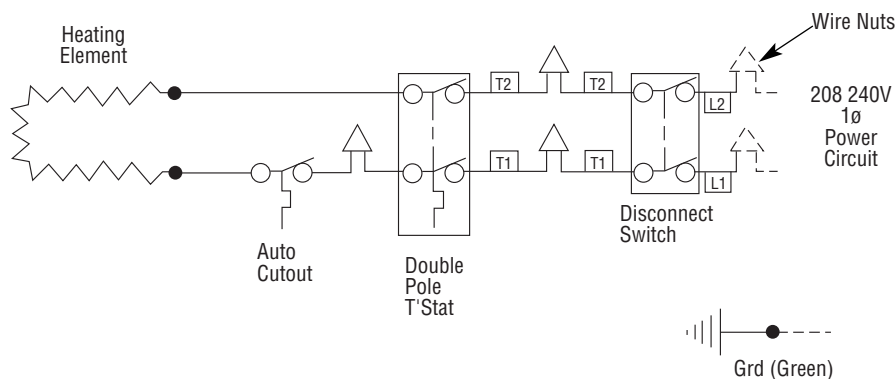
Note: Electrical wiring is to be in accordance with National Electrical Code and local codes using at least 75°C (167°) type RH, THW or equivalent insulated wire.

1. Electrical wiring must be brought into heater through $\frac{13}{32}$ " dia. hole located in the rear panel.
2. Grounding conductor with green insulation must be connected to the green pigtail lead.
3. Make the proper connections using the appropriate wiring diagram below. Use diagram A for 120 and 277V heaters and use diagram B for 208 and 240V heaters. These diagrams apply to all size heaters.

Wiring Diagram A



Wiring Diagram B



OPERATION

DANGER: Hazard of Fire. Keep combustible materials and temperature sensitive fabrics at least 4" away from front of cover or above cover.

WARNING: Users should install adequate back-up controls and safety devices with their electric heating equipment. Where the consequences of failure may be severe, back-up controls are essential. Although the safety of the installation is the responsibility of the user, Chromalox will be glad to make equipment recommendations.

MAINTENANCE

WARNING: Hazard of Severe Shock. Disconnect all power to heater before servicing or replacing heaters.

1. Following long periods of idleness, heater should be vacuumed before start-up, to remove accumulated combustible particles

- which will incinerate causing smoking and consequent wall discoloration.
2. If heater is located in areas of heavy traffic, furnish suitable heater guard (wall mounted pipe rail in front of case, for example) to prevent damage to heater.

RENEWAL PARTS IDENTIFICATION

Model	Volts	Watts	Heating Element	Switch	Thermostat	Overtemp Cut-Out	Front Case
ICH-18025	120	250	118-553632-001	292-511857-001	300-049198-001	300-053610-001	080-511673-001
	208	250	118-553632-022	292-511857-002	300-049198-002	300-053610-001	080-511673-001
	240	250	118-553632-023	292-511857-002	300-049198-002	300-053610-001	080-511673-001
	277	250	118-553632-024	292-511857-001	300-049198-001	300-053610-001	080-511673-001
ICH-28050	120	500	118-553632-002	292-511857-001	300-049198-001	300-053610-001	080-511673-002
	208	500	118-553632-003	292-511857-002	300-049198-002	300-053610-001	080-511673-002
	240	500	118-553632-004	292-511857-002	300-049198-002	300-053610-001	080-511673-002
	277	500	118-553632-005	292-511857-001	300-049198-001	300-053610-001	080-511673-002
ICH-38075	120	750	118-553632-006	292-511857-001	300-049198-001	300-053610-001	080-511673-003
	208	750	118-553632-007	292-511857-002	300-049198-002	300-053610-001	080-511673-003
	240	750	118-553632-008	292-511857-002	300-049198-002	300-053610-001	080-511673-003
	277	750	118-553632-009	292-511857-001	300-049198-001	300-053610-001	080-511673-003
ICH-48100	120	1000	118-553632-010	292-511857-001	300-049198-001	300-053610-002	080-511673-004
	208	1000	118-553632-011	292-511857-002	300-049198-002	300-053610-002	080-511673-004
	240	1000	118-553632-012	292-511857-002	300-049198-002	300-053610-002	080-511673-004
	277	1000	118-553632-013	292-511857-001	300-049198-001	300-053610-002	080-511673-004
ICH-60125	120	1250	118-553632-014	292-511857-001	300-049198-001	300-053610-002	080-511673-005
	208	1250	118-553632-015	292-511857-002	300-049198-002	300-053610-002	080-511673-005
	240	1250	118-553632-016	292-511857-002	300-049198-002	300-053610-002	080-511673-005
	277	1250	118-553632-017	292-511857-001	300-049198-001	300-053610-002	080-511673-005
ICH-72150	120	1500	118-553632-018	292-511857-001	300-049198-001	300-053610-002	080-511673-006
	208	1500	118-553632-019	292-511857-002	300-049198-002	300-053610-002	080-511673-006
	240	1500	118-553632-020	292-511857-002	300-049198-002	300-053610-002	080-511673-006
	277	1500	118-553632-021	292-511857-001	300-049198-001	300-053610-002	080-511673-006

Limited Warranty:

Please refer to the Chromalox limited warranty applicable to this product at <http://www.chromalox.com/customer-service/policies/termsofsale.aspx>.

Chromalox[®]
PRECISION HEAT AND CONTROL

2150 N. RULON WHITE BLVD., OGDEN, UT 84404
Phone: 1-800-368-2493 www.chromalox.com

Free Manuals Download Website

<http://myh66.com>

<http://usermanuals.us>

<http://www.somanuals.com>

<http://www.4manuals.cc>

<http://www.manual-lib.com>

<http://www.404manual.com>

<http://www.luxmanual.com>

<http://aubethermostatmanual.com>

Golf course search by state

<http://golfingnear.com>

Email search by domain

<http://emailbydomain.com>

Auto manuals search

<http://auto.somanuals.com>

TV manuals search

<http://tv.somanuals.com>