



RSP4+ Bootflash Memory Upgrade to 16MB Installation and Configuration Guide

Product Numbers: **MEM-16F-RSP4+ =**
Customer Order Number: **DOC-7812288 =**

Introduction

An 8 MB bootflash image is supplied with the RSP4+, RSP4, RSP2, RSP1 and RSP7000 on the Cisco 7500 series routers. This image is insufficient to store newer, larger Cisco IOS Releases, such as 12.1(4.4)T2 and 12.1(5)T, and future releases on the RSP4+. Use the instructions in this document to upgrade to a 16-MB bootflash. Alternatively, you can use Cisco IOS Release 12.0(13)S rsp-boot-mz image or other image, which is less than 7.7 MB in size. Contact the Technical Assistance Center (see Technical Assistance Center, page 19) for more information on this latter alternative.

Note: The RSP8 has 16 MB of Flash memory and does not encounter this problem.

Objectives

The purpose of this document is to explain how to perform the following procedures:

- Remove the 8-MB SIMM and install a 16-MB SIMM
- Upgrade the bootflash memory image

Contents

This document includes the following sections:

- Related Documentation, page 2
- Installation Requirements, page 3
- Overview, page 9



- Confirming the Bootflash Memory Size, page 9
- Removing the RSP4+, page 9
- Removing the SIMM, page 11
- Installing the SIMM, page 13
- Installing the RSP4+, page 15
- Loading and Configuring the Bootflash Image, page 15
- Obtaining Documentation, page 18
- Obtaining Technical Assistance, page 19

Related Documentation

Your router and the Cisco IOS software running on it contain extensive features and functionality, which are documented in the following resources:

- Cisco IOS software:

For configuration information and support, refer to the modular configuration and modular command reference publications in the Cisco IOS software configuration documentation set that corresponds to the software release installed on your Cisco hardware.



Note

You can access Cisco IOS software configuration and hardware installation and maintenance documentation on the World Wide Web at <http://www.cisco.com>, <http://www-china.cisco.com>, or <http://www-europe.cisco.com>.

- Cisco 7500 series routers:

For hardware installation and maintenance information on the Cisco 7500 series routers, refer to the *Cisco 7500 Installation and Configuration Guide* that shipped with your router.

- For international agency compliance, safety, and statutory information for WAN interfaces:
 - *Site Preparation and Safety Guide*
 - *Regulatory Compliance and Safety Information for the Cisco 7500 Series Routers*
- To view Cisco documentation or obtain general information about the documentation, refer to the following sources:
 - World Wide Web, page 18
 - Documentation CD-ROM, page 18
 - Ordering Documentation, page 18
 - Documentation Feedback, page 19
 - Cisco.com, page 19
 - Technical Assistance Center, page 19

Installation Requirements

Before upgrading the bootflash SIMM, pay attention to the following sections:

- Software and Bootflash Prerequisites, page 3
- Tools and Parts Required, page 4
- Safety Guidelines, page 4

Software and Bootflash Prerequisites

The minimum software and bootflash requirements are listed in Table 1. The Cisco IOS releases listed in Table 1 apply to all Cisco 7500 series routers except for the Cisco 7576, which requires Cisco IOS Release 11.1(22) CC or a later release of 11.1 CC.

Table 1 RSP4+ Minimum Software and Bootflash Memory Requirements

Cisco IOS Release Version	Minimum Cisco IOS Supported Release ¹	Minimum Bootflash Memory
Cisco IOS Release 11.1(8)CA	Cisco IOS Release 11.1(8)CA or later release of Cisco IOS Release 11.1 CA	8 MB
Cisco IOS Release 11.1(17)CC	Cisco IOS Release 11.1(17)CC or later release of Cisco IOS Release 11.1 CC	8 MB
Cisco IOS Release 11.2(6)P	Cisco IOS Release 11.2(6)P or later release of Cisco IOS Release 11.2 P	8 MB
Cisco IOS Release 11.3(1)T	Cisco IOS Release 11.3(1)T or later release of Cisco IOS Release 11.3 T	8 MB
Cisco IOS Release 11.3(1)	Cisco IOS Release 11.3(1) or later release of Cisco IOS Release 11.3	8 MB
Cisco IOS Release 12.0(1)T	Cisco IOS Release 12.0(1)T or later release of Cisco IOS Release 12.0T	8 MB
Cisco IOS Release 12.0(1)	Cisco IOS Release 12.0(1) or later release of Cisco IOS Release 12.0	8 MB
Cisco IOS Release 12.0(2)XE3	Cisco IOS Release 12.0(2)XE3 or later release of Cisco IOS Release 12.0 XE3	8 MB
Cisco IOS Release 12.0(4)XE1	Cisco IOS Release 12.0(4)XE1 or later release of Cisco IOS Release 12.0 XE1	8 MB
Cisco IOS Release 12.0(5)S	Cisco IOS Release 12.0(5)S or later release of Cisco IOS Release 12.0 S	8 MB
Cisco IOS Release 12.1(1)E	Cisco IOS Release 12.1(1)E or later release of Cisco IOS Release 12.1 E	8 MB
Cisco IOS Release 12.1(1)	Cisco IOS Release 12.1(1) or later release of Cisco IOS Release 12.1	8 MB
Cisco IOS Release 12.1(5)T	Cisco IOS Release 12.1(5)T or later release of Cisco IOS Release 12.1 T	16 MB

1. Applies to all platforms that support the RSP4+ except Cisco 7576, which requires Cisco IOS Release 11.1(22)CC or a later release of 11.1 CC.

Tools and Parts Required

You need the following tools and parts to install or upgrade the bootflash SIMM:

- Number 1 Phillips and a 3/16-inch flat-blade screwdriver
- ESD-prevention equipment or disposable grounding wrist strap included with all Cisco products
- Antistatic mat, foam pad, or bag for the removed SIMM

If you need additional equipment, contact a service representative for ordering information.

Safety Guidelines

Following are safety guidelines that you should follow when working with any equipment that connects to electrical power or telephone wiring.

Safety Warnings

Safety warnings appear throughout this publication in procedures that, if performed incorrectly, may harm you. A warning symbol precedes each warning statement.



Warning

This warning symbol means danger. You are in a situation that could cause bodily injury. Before you work on any equipment, be aware of the hazards involved with electrical circuitry and be familiar with standard practices for preventing accidents. To see the translations of the warnings that appear in this publication, refer to the *Regulatory Compliance and Safety Information* document that accompanied this device.

Waarschuwing

Dit waarschuwingssymbool betekent gevaar. U verkeert in een situatie die lichamelijke letsel kan veroorzaken. Voordat u aan enige apparatuur gaat werken, dient u zich bewust te zijn van de bij elektrische schakelingen betrokken risico's en dient u op de hoogte te zijn van standaard maatregelen om ongelukken te voorkomen. Voor vertalingen van de waarschuwingen die in deze publicatie verschijnen, kunt u het document *Regulatory Compliance and Safety Information* (Informatie over naleving van veiligheids- en andere voorschriften) raadplegen dat bij dit toestel is ingesloten.

Varoitus

Tämä varoitusmerkki merkitsee vaaraa. Olet tilanteessa, joka voi johtaa ruumiinvammaan. Ennen kuin työskentelet minkään laitteiston parissa, ota selvää sähkökytkentöihin liittyvistä vaaroista ja tavanomaisista onnettomuuksien ehkäisykeinoista. Tässä julkaisussa esiintyvien varoitusten käännökset löydät laitteen mukana olevasta *Regulatory Compliance and Safety Information* -kirjasesta (määräysten noudattaminen ja tietoa turvallisuudesta).

- Attention** Ce symbole d'avertissement indique un danger. Vous vous trouvez dans une situation pouvant causer des blessures ou des dommages corporels. Avant de travailler sur un équipement, soyez conscient des dangers posés par les circuits électriques et familiarisez-vous avec les procédures couramment utilisées pour éviter les accidents. Pour prendre connaissance des traductions d'avertissements figurant dans cette publication, consultez le document *Regulatory Compliance and Safety Information* (Conformité aux règlements et consignes de sécurité) qui accompagne cet appareil.
- Warnung** Dieses Warnsymbol bedeutet Gefahr. Sie befinden sich in einer Situation, die zu einer Körperverletzung führen könnte. Bevor Sie mit der Arbeit an irgendeinem Gerät beginnen, seien Sie sich der mit elektrischen Stromkreisen verbundenen Gefahren und der Standardpraktiken zur Vermeidung von Unfällen bewußt. Übersetzungen der in dieser Veröffentlichung enthaltenen Warnhinweise finden Sie im Dokument *Regulatory Compliance and Safety Information* (Informationen zu behördlichen Vorschriften und Sicherheit), das zusammen mit diesem Gerät geliefert wurde.
- Avvertenza** Questo simbolo di avvertenza indica un pericolo. La situazione potrebbe causare infortuni alle persone. Prima di lavorare su qualsiasi apparecchiatura, occorre conoscere i pericoli relativi ai circuiti elettrici ed essere al corrente delle pratiche standard per la prevenzione di incidenti. La traduzione delle avvertenze riportate in questa pubblicazione si trova nel documento *Regulatory Compliance and Safety Information* (Conformità alle norme e informazioni sulla sicurezza) che accompagna questo dispositivo.
- Advarsel** Dette varselsymbolet betyr fare. Du befinner deg i en situasjon som kan føre til personskade. Før du utfører arbeid på utstyr, må du være oppmerksom på de faremomentene som elektriske kretser innebærer, samt gjøre deg kjent med vanlig praksis når det gjelder å unngå ulykker. Hvis du vil se oversettelser av de advarslene som finnes i denne publikasjonen, kan du se i dokumentet *Regulatory Compliance and Safety Information* (Overholdelse av forskrifter og sikkerhetsinformasjon) som ble levert med denne enheten.
- Aviso** Este símbolo de aviso indica perigo. Encontra-se numa situação que lhe poderá causar danos físicos. Antes de começar a trabalhar com qualquer equipamento, familiarize-se com os perigos relacionados com circuitos eléctricos, e com quaisquer práticas comuns que possam prevenir possíveis acidentes. Para ver as traduções dos avisos que constam desta publicação, consulte o documento *Regulatory Compliance and Safety Information* (Informação de Segurança e Disposições Reguladoras) que acompanha este dispositivo.

- ¡Advertencia!** Este símbolo de aviso significa peligro. Existe riesgo para su integridad física. Antes de manipular cualquier equipo, considerar los riesgos que entraña la corriente eléctrica y familiarizarse con los procedimientos estándar de prevención de accidentes. Para ver una traducción de las advertencias que aparecen en esta publicación, consultar el documento titulado *Regulatory Compliance and Safety Information* (Información sobre seguridad y conformidad con las disposiciones reglamentarias) que se acompaña con este dispositivo.
- Varning!** Denna varningssymbol signalerar fara. Du befinner dig i en situation som kan leda till personskada. Innan du utför arbete på någon utrustning måste du vara medveten om farorna med elkretsar och känna till vanligt förfarande för att förebygga skador. Se förklaringar av de varningar som förekommer i denna publikation i dokumentet *Regulatory Compliance and Safety Information* (Efterrättelse av föreskrifter och säkerhetsinformation), vilket medföljer denna anordning.

Installation Warning



- Warning** Only trained and qualified personnel should be allowed to install, replace, or service this equipment.
- Waarschuwing** Deze apparatuur mag alleen worden geïnstalleerd, vervangen of hersteld door bevoegd geschoold personeel.
- Varoitus** Tämän laitteen saa asentaa, vaihtaa tai huoltaa ainoastaan koulutettu ja laitteen tunteva henkilökunta.
- Attention** Il est vivement recommandé de confier l'installation, le remplacement et la maintenance de ces équipements à des personnels qualifiés et expérimentés.
- Warnung** Das Installieren, Ersetzen oder Bedienen dieser Ausrüstung sollte nur geschultem, qualifiziertem Personal gestattet werden.
- Avvertenza** Questo apparato può essere installato, sostituito o mantenuto unicamente da un personale competente.
- Advarsel** Bare opplært og kvalifisert personell skal foreta installasjoner, utskiftninger eller service på dette utstyret.
- Aviso** Apenas pessoal treinado e qualificado deve ser autorizado a instalar, substituir ou fazer a revisão deste equipamento.
- ¡Advertencia!** Solamente el personal calificado debe instalar, reemplazar o utilizar este equipo.
- Varning!** Endast utbildad och kvalificerad personal bör få tillåtelse att installera, byta ut eller reparera denna utrustning.

Electrical Equipment Guidelines

Follow these basic guidelines when working with any electrical equipment:

- Before beginning any procedures requiring access to the router interior, locate the emergency power-off switch for the room in which you are working.
- Disconnect all power and external cables before moving a router.
- Do not work alone when potentially hazardous conditions exist.
- Never assume that power has been disconnected from a circuit; always check.
- Do not perform any action that creates a potential hazard or makes the equipment unsafe.
- Carefully examine your work area for possible hazards such as moist floors, ungrounded power extension cables, and missing safety grounds.

Preventing Electrostatic Discharge Damage

Electrostatic discharge (ESD) damage, which can occur when electronic cards or components are improperly handled, results in complete or intermittent failures.

Use the following guidelines for preventing ESD damage:

- Always use an ESD wrist or ankle strap and ensure that it makes good skin contact.
- Connect the equipment end of the strap to an unfinished chassis surface.
- When installing a component, use any available ejector levers or captive installation screws to properly seat the bus connectors in the backplane.
- When removing a component, use any available ejector levers or captive installation screws to release the bus connectors from the backplane or midplane.
- Handle carriers by available handles or edges only; avoid touching the printed circuit boards or connectors.
- Place a removed board component-side-up on an antistatic surface or in a static shielding container; otherwise, immediately place it in a static shielding container.
- Avoid contact between the printed circuit boards and clothing. The wrist strap only protects components from ESD voltages on the body; ESD voltages on clothing can still cause damage.
- Never attempt to remove the printed circuit board from the metal carrier.



Caution

For safety, periodically check the resistance value of the antistatic strap. The measurement should be between 1 and 10 megohms (Mohm).

Wrist Strap Warning



-
- Warning** During this procedure, wear grounding wrist straps to avoid ESD damage to the card. Do not directly touch the backplane with your hand or any metal tool, or you could shock yourself.
- Waarschuwing** Draag tijdens deze procedure aardingspolsbanden om te vermijden dat de kaart beschadigd wordt door elektrostatische ontlading. Raak het achterbord niet rechtstreeks aan met uw hand of met een metalen werktuig, omdat u anders een elektrische schok zou kunnen oplopen.
- Varoitus** Käytä tämän toimenpiteen aikana maadoitettuja rannesuojia estääksesi kortin vaurioitumisen sähköstaattisen purkauksen vuoksi. Älä kosketa taustalevyä suoraan kädelläsi tai metallisella työkalulla sähköiskuvaaran takia.
- Attention** Lors de cette procédure, toujours porter des bracelets antistatiques pour éviter que des décharges électriques n'endommagent la carte. Pour éviter l'électrocution, ne pas toucher le fond de panier directement avec la main ni avec un outil métallique.
- Warnung** Zur Vermeidung einer Beschädigung der Karte durch elektrostatische Entladung während dieses Verfahrens ein Erdungsband am Handgelenk tragen. Bei Berührung der Rückwand mit der Hand oder einem metallenen Werkzeug besteht Elektroschockgefahr.
- Avvertenza** Durante questa procedura, indossare bracciali antistatici per evitare danni alla scheda causati da un'eventuale scarica elettrostatica. Non toccare direttamente il pannello delle connessioni, né con le mani né con un qualsiasi utensile metallico, perché esiste il pericolo di folgorazione.
- Advarsel** Bruk jordingsarmbånd under prosedyren for å unngå ESD-skader på kortet. Unngå direkte berøring av bakplanet med hånden eller metallverktøy, slik at di ikke får elektrisk støt.
- Aviso** Durante este procedimento e para evitar danos ESD causados à placa, use fitas de ligação à terra para os pulsos. Para evitar o risco de choque eléctrico, não toque directamente na parte posterior com a mão ou com qualquer ferramenta metálica.
- ¡Advertencia!** Usartiras conectadas a tierra en las muñecas durante este procedimiento para evitar daños en la tarjeta causados por descargas electrostáticas. No tocar el plano posterior con las manos ni con ninguna herramienta metálica, ya que podría producir un choque eléctrico.
- Varning!** Använd jordade armbandsremmar under denna procedur för att förhindra elektrostatisk skada på kortet. Rör inte vid baksidan med handen eller metallverktyg då detta kan orsaka elektrisk stöt.
-

Overview

Bootflash is a single inline memory module (SIMM) with a bootloader image that allows the router to access the Cisco IOS image when powering up or initializing the system. Bootloader images can be downloaded over the network, or from a local server. Refer to Table 1 for a list of IOS images that require a 16MB bootflash.

In this document, you will perform the following steps to upgrade the bootflash to 16MB:

- Confirm the bootflash size
- Remove the RSP4+
- Remove the 8-MB SIMM
- Install the 16-MB SIMM
- Reinstall the RSP4+
- Load and configure the new bootflash

Confirming the Bootflash Memory Size

To check the bootflash memory size on your RSP4+, use the **show version** command. The following example indicates that the bootflash memory size is insufficient for Cisco IOS Release 12.1(4.4)T2 and 12.1(5)T, and later releases.

```
Router# show version
Cisco Internetwork Operating System Software
IOS (tm) 7500 Software (C7200-J-M), Released Version 12.0(2)
Copyright (c) 1986-1998 by cisco Systems, Inc.

20480K bytes of Flash PCMCIA card at slot 0 (Sector size 128K).
8192K bytes of Flash internal SIMM (Sector size 256K)
```

Removing the RSP4+

The first step in upgrading the bootflash is to remove the RSP4+ from the Cisco 7500 series router.

-
- Step 1** Attach an ESD-preventive wrist strap between you and any unpainted chassis surface.
 - Step 2** Turn off the system power.
 - Step 3** Disconnect the cables from the RSP4+.
 - Step 4** Use a screwdriver to loosen the captive installation screws at both ends of the board. (See Figure 1.)



Caution Use the ejector levers to remove or install the RSP4+. Failure to do so can cause erroneous system error messages indicating a board failure.

- Step 5** Place your thumbs on the ejector levers and simultaneously pull both of the ejectors outward (in the opposite direction from that show in c in Figure 1) to release the RSP4+ from the backplane connector.

- Step 6 Use the RSP4+ handle to carefully pull it straight out of the slot, keeping your other hand under the carrier to guide it. (See Figure 2.) Keep the RSP4+ parallel to the backplane. Avoid touching the board or any connector pins.
- Step 7 Place the removed RSP4+ on an antistatic mat or foam pad for installation later in this procedure.

Figure 1 Ejector Levers and Captive Installation Screws on the RSP4+—Vertical Orientation Shown

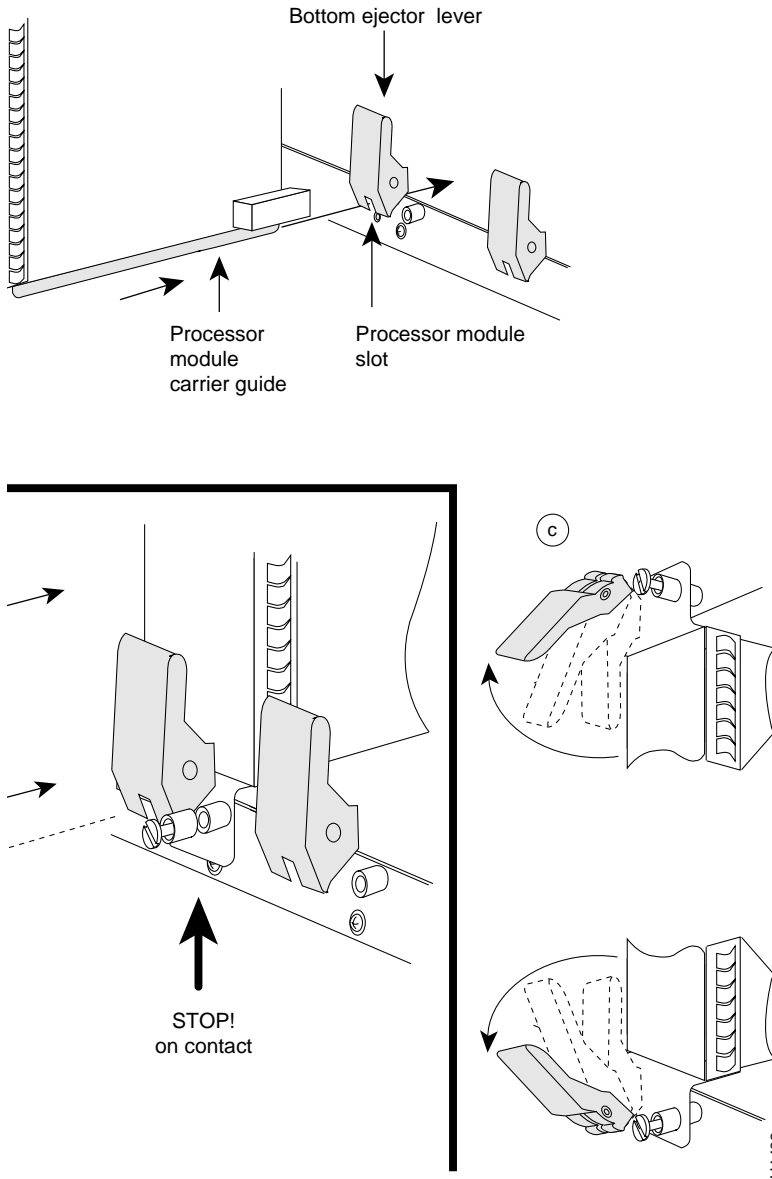
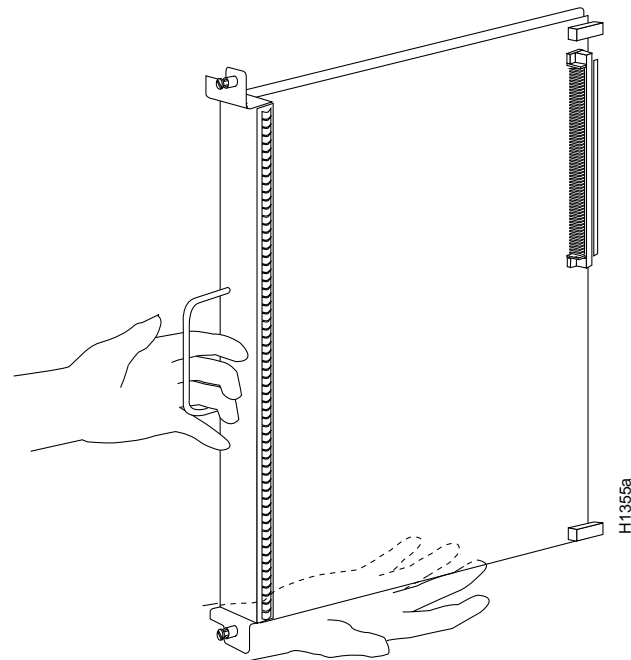


Figure 2 *Handling the RSP4+ During Removal and Installation*



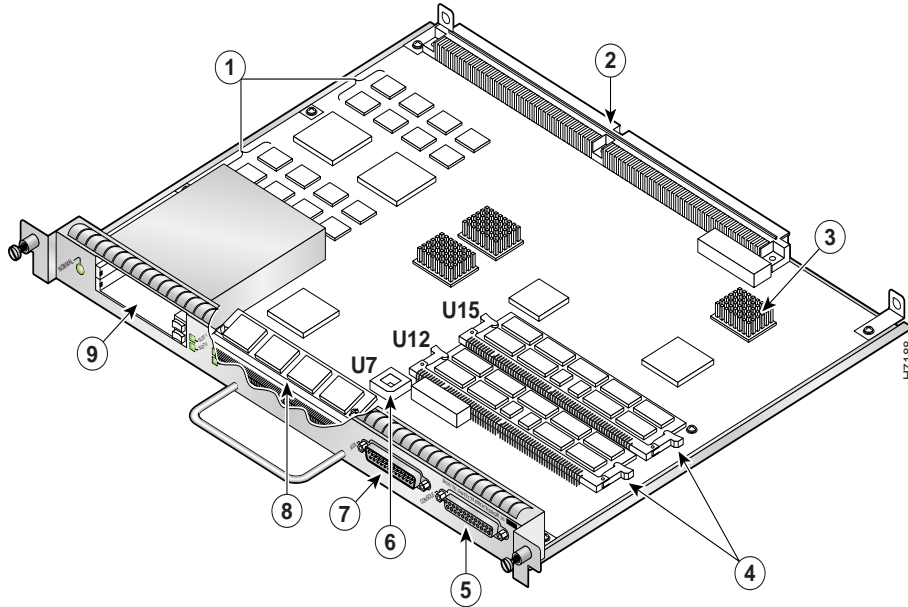
This completes the RSP4+ removal procedure.

Removing the SIMM

After removing the RSP4+ from the Cisco 7500 series router, remove the 8-MB SIMM, using the following procedure.

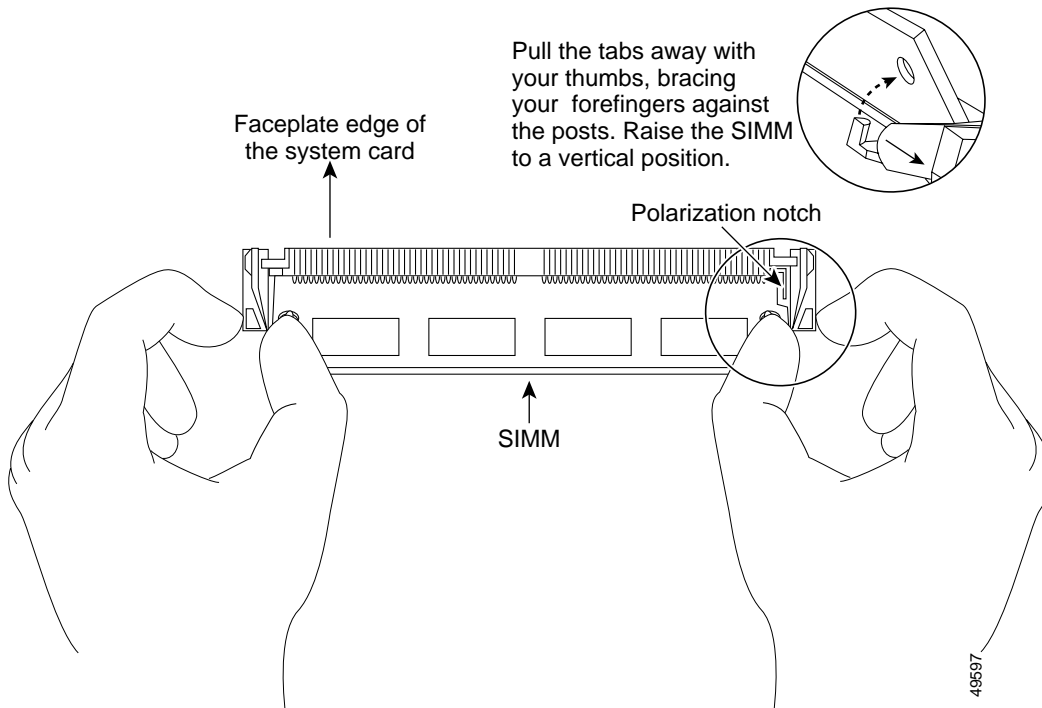
- Step 1** Position the RSP4+ so that the handle is away from you and the bus connector is toward you—opposite of the position shown in Figure 2.

Figure 3 Location of SIMM on the RSP4+



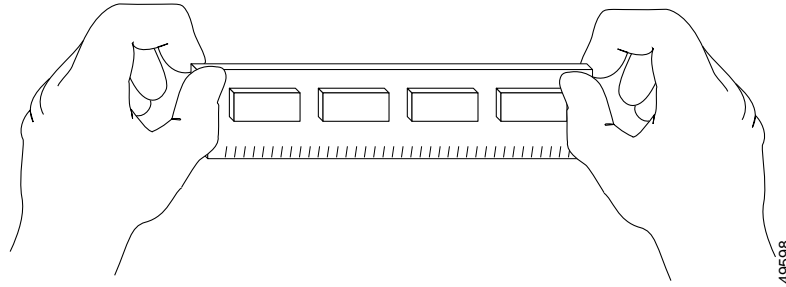
- Step 2 Locate the SIMM. The SIMM occupies socket U1. (See Figure 3.)
- Step 3 Remove the SIMM from its socket by pulling the locking spring clips on both sides outward and tilting the SIMM free of the clips. (See Figure 4.) Be careful not to break the clips on the SIMM connector.

Figure 4 Releasing the SIMM Spring Clips



- Step 4 Grasp the ends of the SIMM with your thumbs and forefingers and lift it out of the socket. (See Figure 5.)

Figure 5 Handling a SIMM

**Caution**

To prevent ESD damage, handle the edges of the SIMM only; avoid touching the memory module, pins, or traces (the metal *fingers*) along the socket edge.

Step 5

Place the SIMM in an antistatic bag to protect it from ESD damage.

This completes the SIMM removal procedure. Proceed to the next section to install the new SIMM.

Installing the SIMM

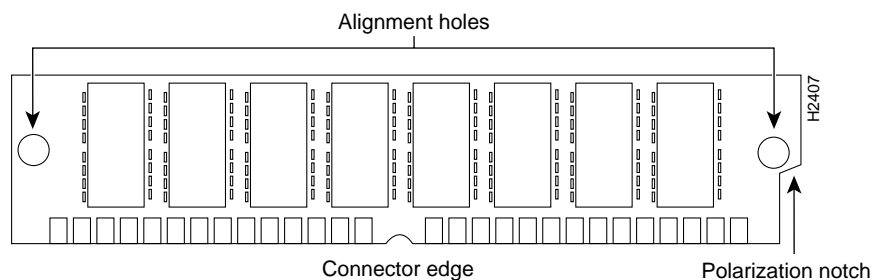
After removing the 8-MB SIMM, use the following procedure to install the 16-MB SIMM.

- Step 1** Position the RSP4+ so that the handle is away from you and the bus connector is toward you—opposite of the position shown in Figure 2.
- Step 2** Locate the memory SIMM socket for the insertion. The SIMM occupies socket U1. (See Figure 3.)
- Step 3** Hold the SIMM between your thumbs and forefingers, component-side-up, with the connector edge (the metal *fingers*) away from you. (See Figure 5.)

**Note**

SIMMs have a polarization notch to prevent them from being installed backwards. Hold the SIMM with the connector edge at the bottom. (See Figure 6.)

Figure 6 SIMM Polarization Notch



- Step 4** Tilt the SIMM to approximately the same angle as the socket and insert the connector edge into the socket.

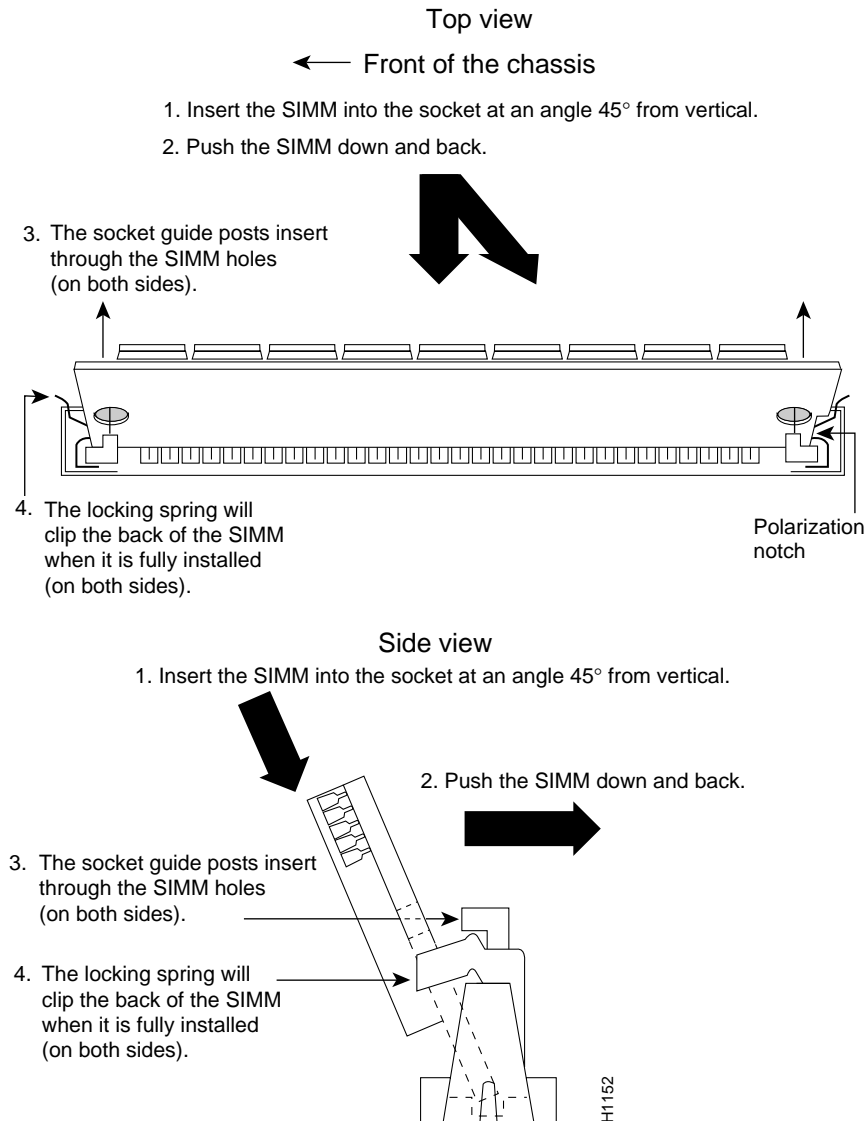


Note

When inserting SIMMs, use firm but not excessive pressure. If you damage a socket, you will have to return the RSP4+ to the factory for repair.

Step 5 Gently push the SIMM into the socket until the spring clips snap over the ends of the SIMM. If necessary, rock the SIMM gently back and forth to seat it properly. (See Figure 7.)

Figure 7 Inserting Vertically-Loaded SIMMS



Step 6 Confirm that the SIMM is properly seated. If the SIMM is properly seated, the socket guide posts should insert through the alignment holes, and the connector springs should click into place. If the SIMM appears misaligned, carefully remove it and reseat it in the socket. Push the SIMM firmly back into the socket until the spring clips snap into place.

This completes the new SIMM installation procedure.

Installing the RSP4+

Follow the steps below to reinstall the RSP4+ that was removed.

Step 1 Hold the RSP4+ handle with one hand and place your other hand under the carrier to support the RSP4+ and guide it into the slot. (See Figure 2.) Avoid touching the card or any connector pins.



Caution To prevent ESD damage, handle the RSP4+ by the handles and carrier edges only.

Step 2 Place the back of the RSP4+ in the slot and align the notch on the carrier with the groove in the slot. (See Figure 1.)

Step 3 While keeping the RSP4+ parallel to the backplane, carefully slide it into the slot until the back of the faceplate makes contact with the ejector levers, and then *stop*. (See b in Figure 1.)



Caution Use the ejector levers to remove or install the RSP4+. Failure to do so can cause erroneous system error messages indicating a board failure.

Step 4 Using your thumbs, simultaneously push both ejector levers inward until the RSP4+ is pushed entirely into its slot. (See c in Figure 1.)

Step 5 Tighten both captive installation screws.

Step 6 Reconnect the cables to the RSP4+.

This completes the RSP4+ installation procedure.

Loading and Configuring the Bootflash Image

Using the steps in this procedure, you will:

- Enable the router to enter privileged mode
- Confirm the new bootflash size
- Format the bootflash
- Copy the rsp-boot image onto the bootflash
- Confirm that the image has been copied to bootflash
- Modify the configuration file to reboot using the new bootflash image
- Configure the router to use the bootloader image in bootflash
- Save the configuration
- Confirm that the configuration reflects the new bootloader image

Step 1 Boot the router, and allow it to initialize.

Step 2 Use the **enable** command to enter privileged mode so you can configure the new 16MB bootflash:

```
Router> en
Password:
Router#
```

Step 3 Use the **show version** command to confirm the size of the bootflash. The following example shows an 16MB bootflash output:

```
Router#sh ver
Cisco Internetwork Operating System Software
IOS (tm) RSP Software (RSP-JSV56I-M), Version 12.1(3)T, RELEASE SOFTWARE (fc1)
Copyright (c) 1986-2000 by cisco Systems, Inc.
Compiled Wed 19-Jul-00 22:18 by ccai
Image text-base: 0x60010968, data-base: 0x618D2000

ROM: System Bootstrap, Version 12.0(10r)S1, RELEASE SOFTWARE (fc1)
BOOTFLASH: RSP Software (RSP-BOOT-M), Version 12.0(8)S, EARLY DEPLOYMENT RELEAS)

doc-7507 uptime is 12 weeks, 3 days, 21 hours, 29 minutes
System returned to ROM by bus error at PC 0x60330F20, address 0x6229
System image file is "slot0:rsp-jsv56i-mz.121-3.T"

cisco RSP8 (R7000) processor with 131072K/8216K bytes of memory.
R7000 CPU at 250Mhz, Implementation 39, Rev 1.0, 256KB L2, 2048KB L3 Cache
Last reset from power-on
G.703/E1 software, Version 1.0.
G.703/JT2 software, Version 1.0.
X.25 software, Version 3.0.0.
SuperLAT software (copyright 1990 by Meridian Technology Corp).
Bridging software.
TN3270 Emulation software.
Chassis Interface.
1 VIP2 controller (1 FastEthernet).
1 FastEthernet/IEEE 802.3 interface(s)
2043K bytes of non-volatile configuration memory.

20480K bytes of Flash PCMCIA card at slot 0 (Sector size 128K).
16384K bytes of Flash internal SIMM (Sector size 256K).
No slave installed in slot 3.
Configuration register is 0x102
```

Step 4 Use the **format bootflash** command to format the bootflash memory, as shown in the following example:

```
Router#format bootflash:
Format operation may take a while. Continue? [confirm]
Format operation will destroy all data in "bootflash:". Continue? [confirm]
Formatting sector 1
Format of bootflash complete
Router#
```


- Step 5** To copy the `rsp-boot` image onto the bootflash, use the following series of commands:

```
Router# copy tftp:rsp-boot-mz.121-5.T1 bootflash:rsp-boot-mz.121-5.T1
20575008 bytes available on device slot0, proceed? [confirm]
Address or name of remote host [1.1.1.1]?
Loading new image from 1.1.1.1 (via Ethernet1/0):!!!!!!!!!!!!!!!!!!!!!!!!!!!!!!!!!!!!
!!!!!!!!!!!!!!!!!!!!!!!!!!!!!!!!!!!!!!!!!!!!!!!!!!!!!!!!!!!!!!!!!!!!!!!!!!!!!!!!!!!!
!!!!!!!!!!!!!!!!!!!!!!!!!!!!!!!!!!!!!!!!!!!!!!!!!!!!!!!!!!!!!!!!!!!!!!!!!!!!!!!!!!!!
!!!!!!!!!!!!!!!!!!!!!!!!!!!!!!!!!!!!!!!!!!!!!!!!!!!!!!!!!!!!!!!!!!!!!!!!!!!!!!!!!!!!
!!!!!!!!!!!!!!!!!!!!!!!!!!!!!!!!!!!!!!!!!!!!!!!!!!!!!!!!!!!!!!!!!!!!!!!!!!!!!!!!!!!!
!!!!!!!!!!!!!!!!!!!!!!!!!!!!!!!!!!!!!!!!!!!!!!!!!!!!!!!!!!!!!!!!!!!!!!!!!!!!!!!!!!!!
!!!!!!!!!!!!!!!!!!!!!!!!!!!!!!!!!!!!!!!!!!!!!!!!!!!!!!!!!!!!!!!!!!!!!!!!!!!!!!!!!!!!
!!!!!!!!!!!!!!!!!!!!!!!!!!!!!!!!!!!!!!!!!!!!!!!!!!!!!!!!!!!!!!!!!!!!!!!!!!!!!!!!!!!!
!!!!!!!!!!!!!!!!!!!!!!!!!!!!!!!!!!!!!!!!!!!!!!!!!!!!!!!!!!!!!!!!!!!!!!!!!!!!!!!!!!!!
!!!!!!!!!!!!!!!!!!!!!!!!!!!!!!!!!!!!!!!!!!!!!!!!!!!!!!!!!!!!!!!!!!!!!!!!!!!!!!!!!!!!
!!!!!!!!!!!!!!!!!!!!!!!!!!!!!!!!!!!!!!!!!!!!!!!!!!!!!!!!!!!!!!!!!!!!!!!!!!!!!!!!!!!!
!!!!!!!!!!!!!!!!!!!!!!!!!!!!!!!!!!!!!!!!!!!!!!!!!!!!!!!!!!!!!!!!!!!!!!!!!!!!!!!!!!!!
!!!!!!!!!!!!!!!!!!!!!!!!!!!!!!!!!!!!!!!!!!!!!!!!!!!!!!!!!!!!!!!!!!!!!!!!!!!!!!!!!!!!
!!!!!!!!!!!!!!!!!!!!!!!!!!!!!!!!!!!!!!!!!!!!!!!!!!!!!!!!!!!!!!!!!!!!!!!!!!!!!!!!!!!!
!!!!!!!!!!!!!!!!!!!!!!!!!!!!!!!!!!!!!!!!!!!!!!!!!!!!!!!!!!!!!!!!!!!!!!!!!!!!!!!!!!!!
[OK - 7799951/15599616 bytes]
cccccccccccccccccccccccccccccccccccccccccccccccccccccccccccccccccccccccccccc
cccccccccccccccccccccccccccccccccccccccccccccccccccccccccccccccccccccccccccc
cccccccccccccccccccccccccccccccccccccccccccccccccccccccccccccccccccccccccccc
Router#
```



Note In the preceding example, the exclamation points (!!) appear as the file is downloaded, and the “C” characters signify calculation of the checksum, which is a verification that the file has been correctly downloaded to bootflash.

- Step 6** Use the `dir bootflash` command to confirm that the image has been copied to Flash memory. The output should display the filename of the image you copied to Flash memory (*rsp11-1* in the following example):

```
Router# dir bootflash:
Directory of bootflash:/

 1  -rw-      5090824  Jan 01 2000 00:02:28  rsp-boot-mz.121-5.T1

7602176 bytes total (2511224 bytes free)
Router#
```

- Step 7** To ensure that the new image is used as a bootloader, add the appropriate commands to the configuration file. To modify the configuration file, use the **configure terminal** command, as follows:

```
Router# configure terminal
Enter configuration commands, one per line. End with CNTL/Z.
```

- Step 8** Specify that you are changing the bootloader image, and that it will load from bootflash. Then add the filename of the new bootloader image to be loaded from bootflash:

```
Router(config)# boot bootldr bootflash:rsp-boot-mz.121-5.T1
```

The **bootloader** command is automatically added to your running configuration.

- Step 9** To exit configuration mode, press **Ctrl-Z**.

- Step 10** To save the configuration, copy the new configuration to nonvolatile random-access memory (NVRAM):

```
Router#
Router# copy running-config startup-config
```

The new bootloader image is saved in the startup-config.

- Step 11** Use the **sh bootv** command to confirm that the new bootloader image will load automatically the next time the system boots or reinitializes.

```
Router#sh bootv
BOOT variable =
CONFIG_FILE variable = bootflash:startup-config
BOOTLDR variable = bootflash:rsp-boot-mz.121-5.T1
Configuration register is 0x0
```

This completes the procedure for loading and configuring the boot image.

Obtaining Documentation

The following sections provide sources for obtaining documentation from Cisco Systems.

World Wide Web

You can access the most current Cisco documentation on the World Wide Web at the following sites:

- <http://www.cisco.com>
- <http://www-china.cisco.com>
- <http://www-europe.cisco.com>

Documentation CD-ROM

Cisco documentation and additional literature are available in a CD-ROM package, which ships with your product. The Documentation CD-ROM is updated monthly and may be more current than printed documentation. The CD-ROM package is available as a single unit or as an annual subscription.

Ordering Documentation

Cisco documentation is available in the following ways:

- Registered Cisco Direct Customers can order Cisco Product documentation from the Networking Products MarketPlace:
http://www.cisco.com/cgi-bin/order/order_root.pl
- Registered Cisco.com users can order the Documentation CD-ROM through the online Subscription Store:
<http://www.cisco.com/go/subscription>
- Nonregistered Cisco.com users can order documentation through a local account representative by calling Cisco corporate headquarters (California, USA) at 408 526-7208 or, in North America, by calling 800 553-NETS(6387).

Documentation Feedback

If you are reading Cisco product documentation on the World Wide Web, you can submit technical comments electronically. Click **Feedback** in the toolbar and select **Documentation**. After you complete the form, click **Submit** to send it to Cisco.

You can e-mail your comments to bug-doc@cisco.com.

To submit your comments by mail, for your convenience many documents contain a response card behind the front cover. Otherwise, you can mail your comments to the following address:

Cisco Systems, Inc.
Document Resource Connection
170 West Tasman Drive
San Jose, CA 95134-9883

We appreciate your comments.

Obtaining Technical Assistance

Cisco provides Cisco.com as a starting point for all technical assistance. Customers and partners can obtain documentation, troubleshooting tips, and sample configurations from online tools. For Cisco.com registered users, additional troubleshooting tools are available from the TAC website.

Cisco.com

Cisco.com is the foundation of a suite of interactive, networked services that provides immediate, open access to Cisco information and resources at anytime, from anywhere in the world. This highly integrated Internet application is a powerful, easy-to-use tool for doing business with Cisco.

Cisco.com provides a broad range of features and services to help customers and partners streamline business processes and improve productivity. Through Cisco.com, you can find information about Cisco and our networking solutions, services, and programs. In addition, you can resolve technical issues with online technical support, download and test software packages, and order Cisco learning materials and merchandise. Valuable online skill assessment, training, and certification programs are also available.

Customers and partners can self-register on Cisco.com to obtain additional personalized information and services. Registered users can order products, check on the status of an order, access technical support, and view benefits specific to their relationships with Cisco.

To access Cisco.com, go to the following website:

<http://www.cisco.com>

Technical Assistance Center

The Cisco TAC website is available to all customers who need technical assistance with a Cisco product or technology that is under warranty or covered by a maintenance contract.

Contacting TAC by Using the Cisco TAC Website

If you have a priority level 3 (P3) or priority level 4 (P4) problem, contact TAC by going to the TAC website:

<http://www.cisco.com/tac>

P3 and P4 level problems are defined as follows:

- P3—Your network performance is degraded. Network functionality is noticeably impaired, but most business operations continue.
- P4—You need information or assistance on Cisco product capabilities, product installation, or basic product configuration.

In each of the above cases, use the Cisco TAC website to quickly find answers to your questions.

To register for Cisco.com, go to the following website:

<http://www.cisco.com/register/>

If you cannot resolve your technical issue by using the TAC online resources, Cisco.com registered users can open a case online by using the TAC Case Open tool at the following website:

<http://www.cisco.com/tac/caseopen>

Contacting TAC by Telephone

If you have a priority level 1 (P1) or priority level 2 (P2) problem, contact TAC by telephone and immediately open a case. To obtain a directory of toll-free numbers for your country, go to the following website:

<http://www.cisco.com/warp/public/687/Directory/DirTAC.shtml>

P1 and P2 level problems are defined as follows:

- P1—Your production network is down, causing a critical impact to business operations if service is not restored quickly. No workaround is available.
- P2—Your production network is severely degraded, affecting significant aspects of your business operations. No workaround is available.

AtmDirector, Browse with Me, CCDA, CCDE, CCDP, CCIE, CCNA, CCNP, CCSI, CD-PAC, *CiscoLink*, the Cisco NetWorks logo, the Cisco Powered Network logo, Cisco Systems Networking Academy, the Cisco Systems Networking Academy logo, Fast Step, Follow Me Browsing, FormShare, FrameShare, GigaStack, IGX, Internet Quotient, IP/VC, iQ Breakthrough, iQ Expertise, iQ FastTrack, the iQ Logo, iQ Net Readiness Scorecard, MGX, the Networkers logo, *Packet*, PIX, RateMUX, ScriptBuilder, ScriptShare, SlideCast, SMARTnet, TransPath, Voice LAN, Wavelength Router, WebViewer are trademarks of Cisco Systems, Inc.; Changing the Way We Work, Live, Play, and Learn, Empowering the Internet Generation, are service marks of Cisco Systems, Inc.; and Aironet, ASIST, BPX, Catalyst, Cisco, the Cisco Certified Internetwork Expert Logo, Cisco IOS, the Cisco IOS logo, Cisco Systems, Cisco Systems Capital, the Cisco Systems logo, Enterprise/Solver, EtherChannel, EtherSwitch, FastHub, FastSwitch, IOS, IP/TV, LightStream, Network Registrar, Post-Routing, Pre-Routing, Registrar, StrataView Plus, Stratm, SwitchProbe, TeleRouter, and VCO are registered trademarks of Cisco Systems, Inc. or its affiliates in the U.S. and certain other countries.

All other brands, names, or trademarks mentioned in this document or Web site are the property of their respective owners. The use of the word partner does not imply a partnership relationship between Cisco and any other company. (0011R)

Copyright © 2000, Cisco Systems, Inc.
All rights reserved.

Free Manuals Download Website

<http://myh66.com>

<http://usermanuals.us>

<http://www.somanuals.com>

<http://www.4manuals.cc>

<http://www.manual-lib.com>

<http://www.404manual.com>

<http://www.luxmanual.com>

<http://aubethermostatmanual.com>

Golf course search by state

<http://golfingnear.com>

Email search by domain

<http://emailbydomain.com>

Auto manuals search

<http://auto.somanuals.com>

TV manuals search

<http://tv.somanuals.com>