



UCCDS20T	UCCDS40T	UCCDM27T	UCCDL18T	UCCDL36T
UCCDS20H	UCCDS40H	UCCDM27H	UCCDL18H	UCCDL36H
UCCDS30T	UCCDM18T	UCCDM36T	UCCDL27T	
UCCDS30H	UCCDM18H	UCCDM36H	UCCDL27H	

## Universal Computing Carts (UCC) Double Cart

**Mobile, secure, and powered storage for up to 18, 20, 27, 30, 36, or 40 computing devices.**

The perfect storage solution for tablets, notebooks, and laptops.



**Customer  
Support  
Information**

Order toll-free in the U.S.: Call 877-877-BBOX (outside U.S. call 724-746-5500)  
FREE technical support 24 hours a day, 7 days a week: Call 724-746-5500 or fax  
724-746-0746 • Mailing address: Black Box Corporation, 1000 Park Drive, Lawrence,  
PA 15055-1018 • Web site: [www.blackbox.com](http://www.blackbox.com) • E-mail: [info@blackbox.com](mailto:info@blackbox.com)

### FEDERAL COMMUNICATIONS COMMISSION AND INDUSTRY CANADA RADIO FREQUENCY INTERFERENCE STATEMENTS

This equipment generates, uses, and can radiate radio-frequency energy, and if not installed and used properly, that is, in strict accordance with the manufacturer's instructions, may cause interference to radio communication. It has been tested and found to comply with the limits for a Class A computing device in accordance with the specifications in Subpart B of Part 15 of FCC rules, which are designed to provide reasonable protection against such interference when the equipment is operated in a commercial environment. Operation of this equipment in a residential area is likely to cause interference, in which case the user at his own expense will be required to take whatever measures may be necessary to correct the interference.

Changes or modifications not expressly approved by the party responsible for compliance could void the user's authority to operate the equipment.

This digital apparatus does not exceed the Class A limits for radio noise emission from digital apparatus set out in the Radio Interference Regulation of Industry Canada.

Le présent appareil numérique n'émet pas de bruits radioélectriques dépassant les limites applicables aux appareils numériques de la classe A prescrites dans le Règlement sur le brouillage radioélectrique publié par Industrie Canada.

### Normas Oficiales Mexicanas (NOM) Electrical Safety Statement INSTRUCCIONES DE SEGURIDAD

1. Todas las instrucciones de seguridad y operación deberán ser leídas antes de que el aparato eléctrico sea operado.
2. Las instrucciones de seguridad y operación deberán ser guardadas para referencia futura.
3. Todas las advertencias en el aparato eléctrico y en sus instrucciones de operación deben ser respetadas.

4. Todas las instrucciones de operación y uso deben ser seguidas.
5. El aparato eléctrico no deberá ser usado cerca del agua—por ejemplo, cerca de la tina de baño, lavabo, sótano mojado o cerca de una alberca, etc.
6. El aparato eléctrico debe ser usado únicamente con carritos o pedestales que sean recomendados por el fabricante.
7. El aparato eléctrico debe ser montado a la pared o al techo sólo como sea recomendado por el fabricante.
8. Servicio—El usuario no debe intentar dar servicio al equipo eléctrico más allá lo descrito en las instrucciones de operación. Todo otro servicio deberá ser referido a personal de servicio calificado.
9. El aparato eléctrico debe ser situado de tal manera que su posición no interfiera su uso. La colocación del aparato eléctrico sobre una cama, sofá, alfombra o superficie similar puede bloquea la ventilación, no se debe colocar en libreros o gabinetes que impidan el flujo de aire por los orificios de ventilación.
10. El equipo eléctrico deber ser situado fuera del alcance de fuentes de calor como radiadores, registros de calor, estufas u otros aparatos (incluyendo amplificadores) que producen calor.
11. El aparato eléctrico deberá ser conectado a una fuente de poder sólo del tipo descrito en el instructivo de operación, o como se indique en el aparato.
12. Precaución debe ser tomada de tal manera que la tierra fisica y la polarización del equipo no sea eliminada.
13. Los cables de la fuente de poder deben ser guiados de tal manera que no sean pisados ni pellizcados por objetos colocados sobre o contra ellos, poniendo particular atención a los contactos y receptáculos donde salen del aparato.
14. El equipo eléctrico debe ser limpiado únicamente de acuerdo a las recomendaciones del fabricante.
15. En caso de existir, una antena externa deberá ser localizada lejos de las líneas de energía.

16. El cable de corriente deberá ser desconectado del cuando el equipo no sea usado por un largo periodo de tiempo.
17. Cuidado debe ser tomado de tal manera que objetos líquidos no sean derramados sobre la cubierta u orificios de ventilación.
18. Servicio por personal calificado deberá ser provisto cuando:
  - A: El cable de poder o el contacto ha sido dañado; u
  - B: Objetos han caído o líquido ha sido derramado dentro del aparato; o
  - C: El aparato ha sido expuesto a la lluvia; o
  - D: El aparato parece no operar normalmente o muestra un cambio en su desempeño; o
  - E: El aparato ha sido tirado o su cubierta ha sido dañada.

### Trademarks Used In This Manual

Black Box and the Double Diamond logo are registered trademarks of BB Technologies, Inc.

Any other trademarks mentioned in this manual are acknowledged to be the property of the trademark owners.

# Table of Contents

---

## Table of Contents

1. Specifications .....	7
2. Overview.....	11
2.1 Introduction.....	11
2.2 What's Included .....	11
2.3 Hardware Description .....	12
3. Electrical Precautions .....	13
3.1 Other Precautions .....	13
4. Configuration and Setup .....	14
4.1 Installing the Handle .....	14
4.2 Routing the Cable .....	15
4.3 Fastening the Power Bricks and Routing the Cable.....	16
5. Using Your Universal Computing Cart.....	18
5.1 Charging Your Computers .....	18
5.2 Moving Your Universal Computing Cart .....	18
5.3 Timer Instructions .....	20

## 1. Specifications

Table 1-1. Cart Specifications

Part Number	UCCDS20T, UCCDS20H	UCCDS30T, UCCDS30H	UCCDS40T, UCCDS40H
<b>Slot Dimensions</b>			
Height (in.)	13"	13"	13"
Height (cm)	33 cm	33 cm	33 cm
Width (in.)	1.3"	1.3"	1.3"
Width (cm)	3.5 cm	3.5 cm	3.5 cm
Depth (in.)	10"	10"	10"
Depth (cm)	25.4	25.4 cm	25.4 cm
<b>Device Capacity</b>			
Number of Devices	20	30	40
<b>External Dimensions (Including Handle)*</b>			
Height (in.)	44.3"	44.3"	44.3"
Height (cm)	112.4 cm	112.4 cm	112.4 cm
Width (in.)	54.4"	54.4"	54.4"
Width (cm)	138.2 cm	138.2 cm	138.2 cm
Depth (in.)	24.8"	24.8"	24.8"
Depth (cm)	63 cm	63 cm	63 cm
<b>Weight (Cart with Tambour Door)</b>			
	UCCDS20T	UCCDS30T	UCCDS40T
Weight (lb.)	164 lb.	176 lb.	188 lb.
Weight (kg)	74.4 kg	79.8 kg	85.3 kg
<b>Weight (Cart with Solid Steel Door)</b>			
	UCCDS20H	UCCDS30H	UCCDS40H
Weight (lb.)	179 lb.	191 lb.	203 lb.
Weight (kg)	81.2 kg	86.6 kg	92.1 kg

\*External dimensions are the same for all double cart models.

## Chapter 1: Specifications

Table 1-1 (continued). Cart Specifications

Part Number	UCCDM18T, UCCDM18H	UCCDM27T, UCCDM27H	UCCDM36T, UCCDM36H
<b>Slot Dimensions</b>			
Height (in.)	13"	13"	13"
Height (cm)	33 cm	33 cm	33 cm
Width (in.)	1.5"	1.5"	1.5"
Width (cm)	3.9 cm	3.9 cm	3.9 cm
Depth (in.)	15"	15"	15"
Depth (cm)	38.1 cm	38.1 cm	38.1 cm
<b>Device Capacity</b>			
Number of Devices	18	27	36
<b>External Dimensions (Including Handle)*</b>			
Height (in.)	44.3"	44.3"	44.3"
Height (cm)	112.4 cm	112.4 cm	112.4 cm
Width (in.)	54.4"	54.4"	54.4"
Width (cm)	138.2 cm	138.2 cm	138.2 cm
Depth (in.)	24.8"	24.8"	24.8"
Depth (cm)	63 cm	63 cm	63 cm
<b>Weight (Cart with Tambour Door)</b>			
	UCCDM18T	UCCDM27T	UCCDM36T
Weight (lb.)	170 lb.	185 lb.	200 lb.
Weight (kg)	77.1 kg	83.9 kg	90.7 kg
<b>Weight (Cart with Solid Steel Door)</b>			
	UCCDM18H	UCCDM27H	UCCDM36H
Weight (lb.)	185 lb.	200 lb.	215 lb.
Weight (kg)	83.9 kg	90.7 kg	97.5 kg

\*External dimensions are the same for all double cart models.



Table 1-1 (continued). Cart Specifications

Part Number	UCCDL18T, UCCDL18H	UCCDL27T, UCCDL27H	UCCDL36T, UCCDL36H
<b>Slot Dimensions</b>			
Height (in.)	13"	13"	13"
Height (cm)	33 cm	33 cm	33 cm
Width (in.)	1.5"	1.5"	1.5"
Width (cm)	3.9 cm	3.9 cm	3.9 cm
Depth (in.)	17"	17"	17"
Depth (cm)	43.2 cm	43.2 cm	43.2 cm
<b>Device Capacity</b>			
Number of Devices	18	27	36
<b>External Dimensions (Including Handle)*</b>			
Height (in.)	44.3"	44.3"	44.3"
Height (cm)	112.4 cm	112.4 cm	112.4 cm
Width (in.)	54.4"	54.4"	54.4"
Width (cm)	138.2 cm	138.2 cm	138.2 cm
Depth (in.)	24.8"	24.8"	24.8"
Depth (cm)	63 cm	63 cm	63 cm
<b>Weight (Cart with Tambour Door)</b>			
	UCCDL18T	UCCDM27T	UCCDL36T
Weight (lb.)	176 lb.	194 lb.	212 lb.
Weight (kg)	79.8 kg	88	96.2 kg
<b>Weight (Cart with Solid Steel Door)</b>			
	UCCDL18H	UCCDM27H	UCCDL36H
Weight (lb.)	191 lb.	209 lb.	227 lb.
Weight (kg)	86.6 kg	94.8 kg	103 kg

\*External dimensions are the same for all double cart models.

## Chapter 1: Specifications

Table 1-2. Power Strip Specifications

Part Number	Timer	Included Power Strips
UCCDS20T, UCCDS20H	(1) 4-outlet, 4-bank timer with "always-on outlet," 15-minute increments, 100–125 V, 50–60 Hz, 15 amp max.	(2) 12-outlet, 15 A max.
UCCDS30T, UCCDS30H		(3) 12-outlet, 15 A max.
UCCDS40T, UCCDS40H		(4) 12-outlet, 15 A max.
UCCDM18T, UCCDM18H		(2) 12-outlet, 15 A max.
UCCDM27T, UCCDM27H		(3) 12-outlet, 15 A max.
UCCDM36T, UCCDM36H		(3) 12-outlet, 15 A max.
UCCDL18T, UCCDL18H		(2) 12-outlet, 15 A max.
UCCDL27T, UCCDL27H		(3) 12-outlet, 15 A max.
UCCDL36T, UCCDL36H		(3) 12-outlet, 15 A max.

Table 1-3. Accessories Specifications

Part Number	Accessory	Specs
UCCSHELFS	Small device shelf	Number of Slots: 10; Slot Dimensions: 1.32"W x 10"D
UCCSHELFM	Medium device shelf	Number of Slots: 9; Slot Dimensions: 1.52"W x 15"D
UCCSHELFL	Large device shelf	Number of Slots: 9; Slot Dimensions: 1.52"W x 17"D
UCCSHELF	Storage shelf	Height: 2U
UCC-PPM	Pop-up power module	Recesses into top laminate of cart, 2-outlet, 110–125 V

### 2. Overview

#### 2.1 Introduction

The Universal Computing Cart (UCC) is designed to store, charge, and transport tablets, e-readers, laptops, netbooks, and other similar devices. Units are available with capacities for 18, 20, 27, 30, 36, or 40 separate storage slots. Each unit plugs into a typical 120-volt 15-amp outlet. Carts are available with tambour or solid-steel doors.

Please read these operating instructions carefully. They contain important advice concerning the use and safety of your cart. This Universal Computing Cart must only be used for its intended purpose in accordance with these operating instructions.

#### 2.2 What's Included

- Universal Computing Cart with 18-, 20-, 27-, 30-, 36-, or 40-device capacity; assembled
- (4) casters (installed), including: (2) locking swivel casters and (2) non-locking fixed casters
- (1) 4-outlet timer (4-bank) (installed)
- Power Strips (installed): See the power strips specifications in Table 1-2 on the previous page.
- Cart handle with mounting hardware (to be installed by user)
- (1) user's manual
- (2) sets of keys

2.3 Hardware Description

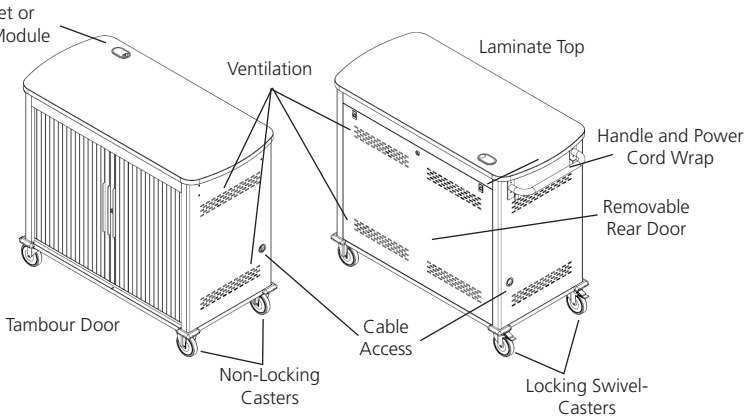


Figure 2-1. Front and back of cart with tambour door.

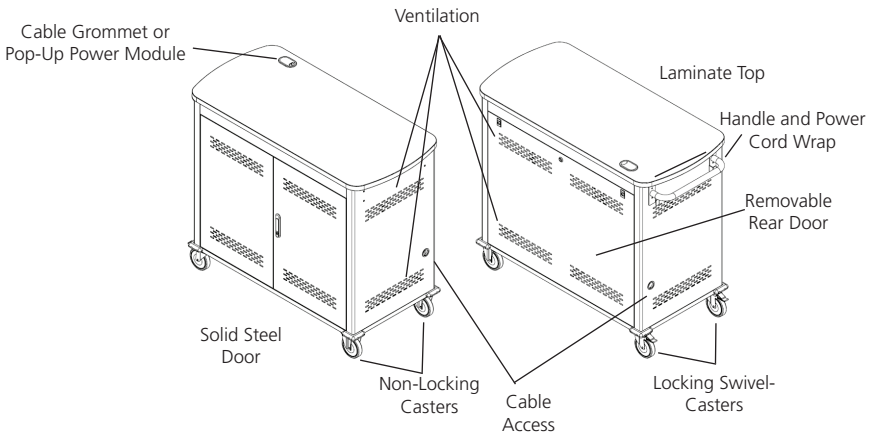


Figure 2-2. Front and back of cart with solid steel door.

### 3. Electrical Precautions

- The power switch must be in the “OFF” position before plugging the UCC into a wall receptacle.
- The UCC must ONLY be connected to a 120-volt AC 15- or 20-amp power supply.
- The UCC must only be used by adults or with adult supervision.
- Always store the power cord around the cord wraps when transporting the UCC.
- Never pull the UCC by the power cord.
- Do not plug the UCC in if the switch, receptacle(s), or power cord has been damaged. All electrical components on this product must be repaired by a qualified electrician.
- Do not use an extension cord in conjunction with the UCC.
- Do not use liquids in or around the UCC environment.
- Inadequate repair can create significant hazards to users and is not covered by warranty.
- For your safety, we recommend that a qualified electrician test the circuit you will be plugging the UCC into. The circuit should be checked for ground integrity and appropriate branch circuit protection.
- The UCC ground prong must be present for safe operation. If the plug is damaged or if the ground prong has been removed, it should be replaced by a qualified electrician.
- The use of the UCC, including plugging or unplugging laptops, plugging or unplugging the UCC, operating the control switch, and engaging or releasing the directional and locked casters, must be done with adult supervision.

#### 3.1 Other Precautions

- The UCC can be very heavy when fully loaded with laptops and should be moved about by persons physically able to do so.
- The UCC should only be used for the storage and transport of tablets, laptops, and other similar devices.
- Misuse, incorrect operation, or inadequate repair of the UCC will void the warranty.

## Chapter 4: Configuration and Setup

### 4. Configuration and Setup

Remove and discard all packaging materials and then lock the lockable casters.

Open and inspect the UCC to verify all doors, locks, and casters are working properly.

Do not plug the UCC into a wall outlet until all configurations and setup are complete.

#### 4.1 Installing the Handle

The handle/cord wrap installs on the side of the cart with the locking swivel casters.

*NOTE: The casters swivel on one side of the UCC and are fixed on the other. Consider maneuverability options before installing the handle.*

Step 1: Locate the side of the cart with the locking swivel casters.

Step 2. Place the handle so that the holes in the brackets are aligned with the threaded holes in the side panels.

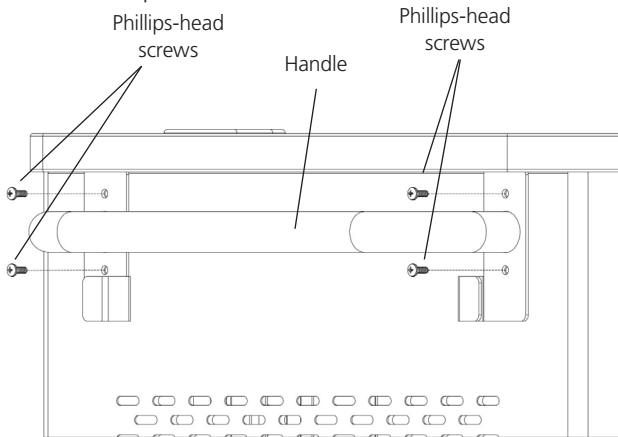


Figure 4-1. Handle assembly.

Step 3. Using a Phillips-head screwdriver, tighten four of the Phillips-head screws into the threaded holes.

### 4.2 Routing the Cable (UCCDS20T, UCCDS20H, UCCDS30T, UCCDS30H, UCCDS40T, UCCDS40H)

1. At the back of the cart, loosen the two screws on the cable manager, pull up on the top section of the cable manager, and place the device side of the charging cable into one of the slots. (See Figure 4-2.)

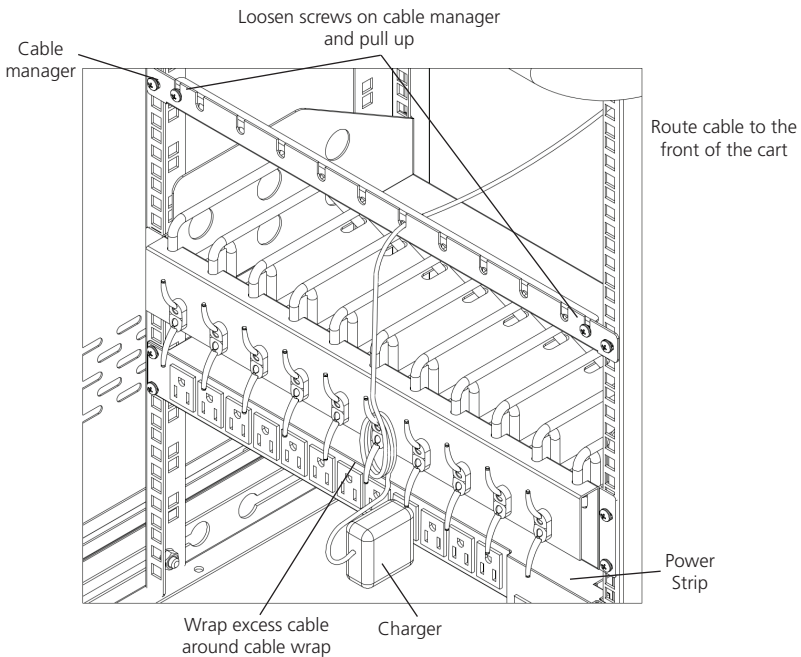


Figure 4-2. Small shelf routing instructions.

2. Replace the top section of the cable manager and tighten the screws.
3. Route the device side of the charging cable to the front of the cart and repeat step 1 for the front cable manager.
4. Wrap any excess cable around the cable wrap on the back of the shelf.
5. Plug the charger power plug into the power strip located below the shelf.

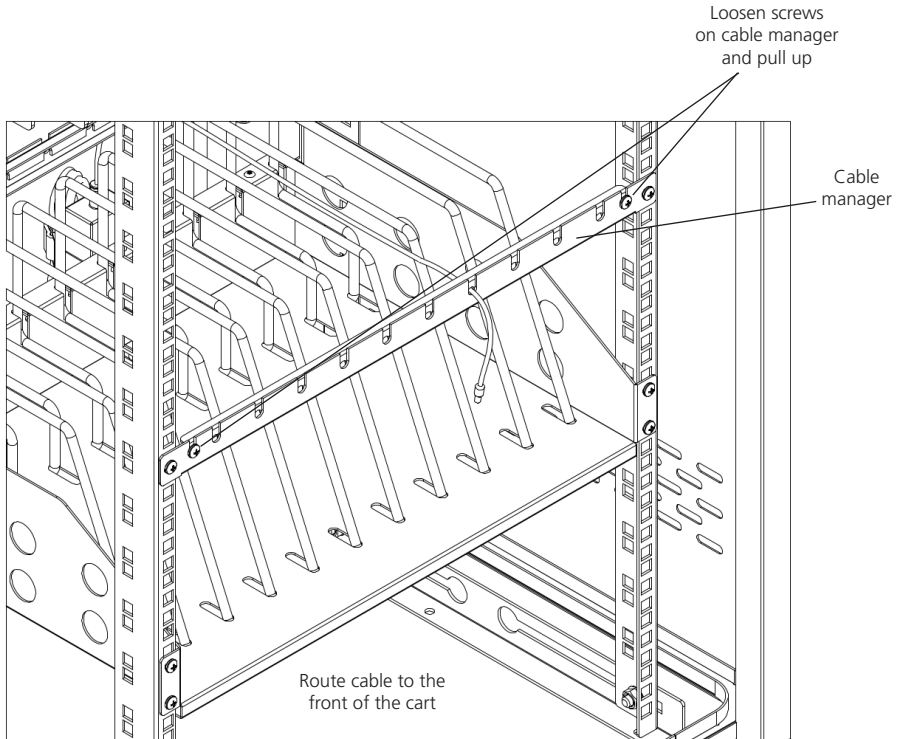


Figure 4-3. Routing the cable.

### 4.3 Fastening the Power Bricks and Routing the Cable (UCCDM18T, UCCDM18H, UCCDM27T, UCCDM27H, UCCDM36T, UCCDM36H, UCCDL18T, UCCDL18H, UCCDL27T, UCCDL27H, UCCDL36T, UCCDL36H)

1. Attach the wrapped cord and power brick to the back of the shelf using the hook and loop strap. Keep some extra cable unwrapped to plug into the power strip. (See Figure 4-4.)
2. Loosen the two screws on the cable manager, pull up on the top section of the cable manager, and place the device side of the charging cable into one of the slots.
3. Replace the top section of the cable manager and tighten the screws.
4. Route the device side of the charging cable to the front of the cart and repeat step 2 for the front cable manager (see Figure 4-3).
5. Plug the charger power plug into the power strip located below the shelf.



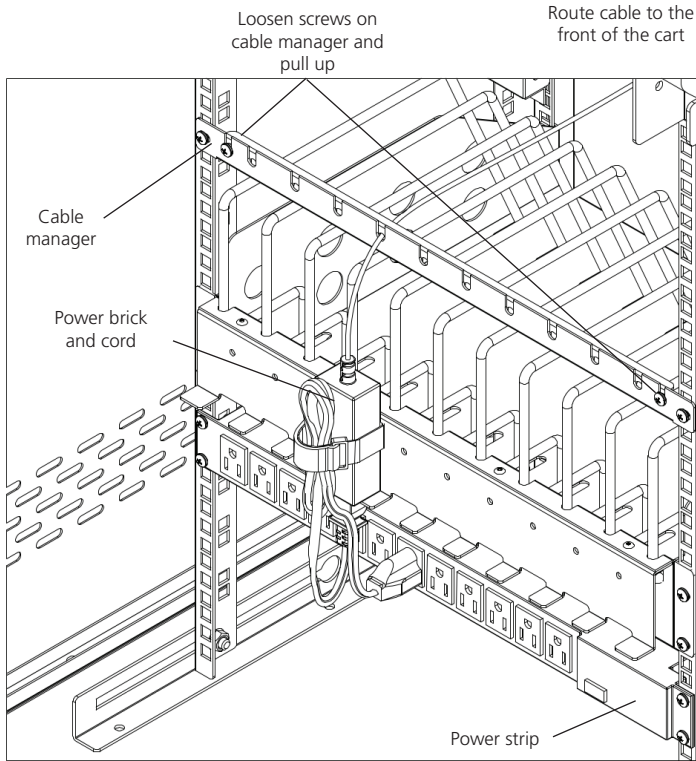


Figure 4-4. Fastening the power brick and routing the cable.

### 5. Using Your Universal Computing Cart

#### 5.1 Charging Your Computers

- After the devices have been loaded into the UCC, plug the power cord of the UCC into a suitable receptacle.
- Locate the internal power switches on the timer and power strips of the UCC and push the switches to the ON position.

#### 5.2 Moving Your Universal Computing Cart

- Turn the timer power switch to the off position.
- Remove the UCC plug from the wall receptacle and wrap the cord around the cord wrap or handle.
- Close and secure tambour or solid-steel doors.
- Your UCC comes equipped with two fixed casters and two locking swivel casters. Unlock the casters before moving the UCC to a new location.
- When you reach your desired destination, lock the casters to prevent the cart from moving and plug the UCC into a wall receptacle.

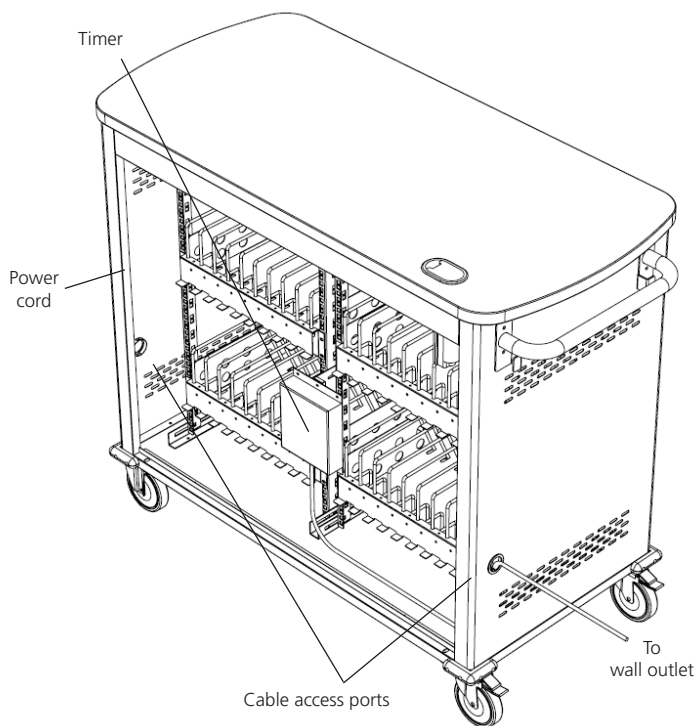


Figure 5-1. Plug the cart into the wall.

## Chapter 5: Using Your Universal Computing Cart

---

### 5.3 Timer Instructions

Before using your timer:

- For your safety, we recommend that a qualified electrician test the circuit you will plug the cart into. The circuit should be checked for ground integrity and appropriate branch circuit protection.
- The cart's ground prong must be present for safe operation. If the plug is damaged or if the ground prong has been removed, it should be replaced by a qualified electrician.
- Using the cart, including plugging it in or unplugging it, plugging in or unplugging the laptop(s) or other electrical equipment, or operating the control switch must be done with adult supervision.

The timer comes preset from the factory to alternate power between the power strips at 15-minute intervals.

All power strips cannot charge simultaneously.

By plugging the cart power cord into an approved outlet and flipping the red switches located on the timer and power strips, the cart will begin charging.

To end power, turn the red switch on the timer off and unplug the cart from the wall outlet.







**Black Box Tech Support: FREE! Live. 24/7.**

Tech support the  
way it should be.



Great tech support is just 30 seconds away at  
724-746-5500 or [blackbox.com](http://blackbox.com).



## About Black Box

Black Box Network Services is your source for an extensive range of networking and infrastructure products. You'll find everything from cabinets and racks and power and surge protection products to media converters and Ethernet switches all supported by free, live 24/7 Tech support available in 30 seconds or less.

© Copyright 2013. Black Box Corporation. All rights reserved.

UCCDM20T, version 1



## Free Manuals Download Website

<http://myh66.com>

<http://usermanuals.us>

<http://www.somanuals.com>

<http://www.4manuals.cc>

<http://www.manual-lib.com>

<http://www.404manual.com>

<http://www.luxmanual.com>

<http://aubethermostatmanual.com>

Golf course search by state

<http://golfingnear.com>

Email search by domain

<http://emailbydomain.com>

Auto manuals search

<http://auto.somanuals.com>

TV manuals search

<http://tv.somanuals.com>