

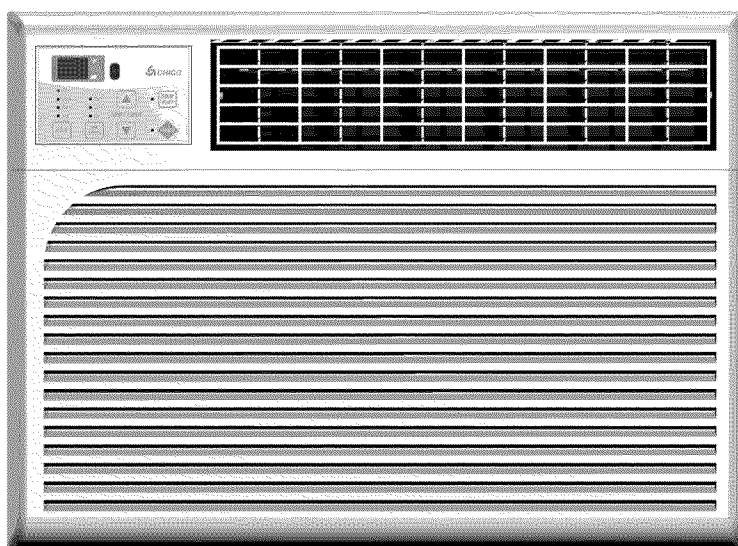
Please Read and Save this Use & Care Book

Por favor lea este instructivo antes de usar el producto

Veillez lire et conserver ce guide d'entretien et d'utilisation



## ROOM AIR CONDITIONER



**Models**

**Modelos**

**Modèles**

**BWE15A**

**BWE18A**

**BWE25A**

# AIR CONDITIONER SAFETY

## Your safety and the safety of others is very important.

We have provided many important safety messages in this manual and on your appliance. Always read and obey all safety messages.



This is the safety alert symbol.

This symbol alerts you to potential hazards that can kill or hurt you and others.

All safety messages will follow the safety alert symbol and either the word "DANGER" or "WARNING."

These words mean:

**⚠ DANGER**

You can be killed or seriously injured if you don't immediately follow instructions.

**⚠ WARNING**

You can be killed or seriously injured if you don't follow instructions.

All safety messages will tell you what the potential hazard is, tell you how to reduce the chance of injury, and tell you what can happen if the instructions are not followed.

## SAFETY PRECAUTIONS



**WARNING:** Read all of the instructions before using this appliance. When using this appliance, always exercise basic safety precautions, including the following:

- ⚠ 1) Air conditioner must be connected to proper electrical outlet with the correct electrical supply.
- ⚠ 2) Proper grounding must be ensured to reduce the risk of shock and fire. **DO NOT CUT OR REMOVE THE GROUNDING PRONG.** If you do not have a three-prong electric receptacle outlet in the wall, have a certified electrician install the proper receptacle. The wall receptacle **MUST** be properly grounded.
- ⚠ 3) Do not operate the air conditioner if the power cord is frayed or otherwise damaged. Avoid using it if there are cracks or abrasion damage along the length, plug connector or if the unit Malfunctions or is damaged in any manner. Contact an authorized service technician for examination, repairs or adjustments.
- ⚠ 4) **DO NOT USE AN ADAPTER OR AN EXTENSION CORD.**
  - 5) Do not block airflow around the air conditioner. The exhaust should be free of any obstructions.
  - 6) Always unplug the air conditioner before servicing it or moving it.
  - 7) Do not install or use the air conditioner in any area where the atmosphere contains combustible gases or where the atmosphere is oily or sulphurous. Avoid any chemicals coming in contact with your air conditioner.

- 8) Do not place any object on the top of the unit.
- 9) Never operate the air conditioner without the filters in place.
- 10) Do not use the air conditioner near a bathtub, shower or wash basin.

## SAVE THESE INSTRUCTIONS

**CAUTION!** If the air conditioner has been placed in a horizontal or tilted position for any period of time, wait 24 hours before plugging the unit in.

# Product Registration

### Record Your Model and Serial Number.

Attach the sales receipt to this guide and keep for future reference. Model and serial number can be obtained from the serial label, which is on your air conditioner. For all your service calls during the warranty period, the following information will be needed:

Model Number: .....

Serial Number: .....

Date of Purchase: .....

Dealer's Name: .....

Dealer's Address: .....

Dealer's Phone Number: .....

# Important Instructions

- Please keep this manual in a safe place.
- Do not use liquid or a spray to clean this product. Use a damp cloth.
- Never spill liquid on the control panel; it may cause electrical shock to the electronic parts inside and disable them or cause them to function improperly.
- Never try to dismantle the product by yourself as this will void the warranty. Unsupervised dismantling and incorrect reassembly of the inside of the back cover may damage the electrical circuit and affect its performance. When maintenance is required, please contact the local service center or local distributor.

---

## INSTALLATION REQUIREMENTS

---

### Tools and Parts

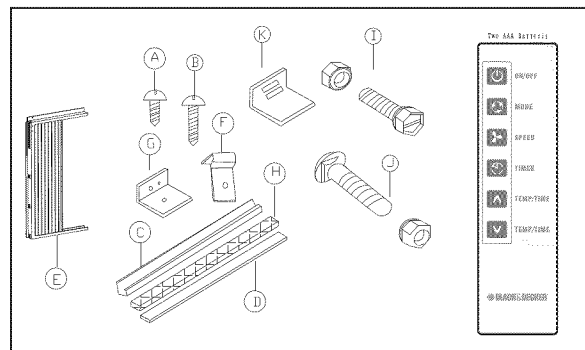
Gather the required tools and parts before starting installation.  
Read and follow the instructions provided with any tools listed here.

#### Tools needed

- |  |  |
|--|--|
| <input type="checkbox"/> Phillips head screwdriver | <input type="checkbox"/> Tape measure                |
| <input type="checkbox"/> Flat-blade screwdriver    | <input type="checkbox"/> Cordless drill and 1/8" bit |
| <input type="checkbox"/> Scissors                  | <input type="checkbox"/> Pencil                      |
| <input type="checkbox"/> Level                     | <input type="checkbox"/> Pliers                      |
| <input type="checkbox"/> Socket wrench and sockets | <input type="checkbox"/> Adjustable wrench           |

#### Parts supplied:

Check that all parts are included in parts package.



- A.Short Screws (9)
- B.Wood Screws (10)
- C.Top Channel
- D.Insert Strip(2)
- E.Curtain Assembly(2)

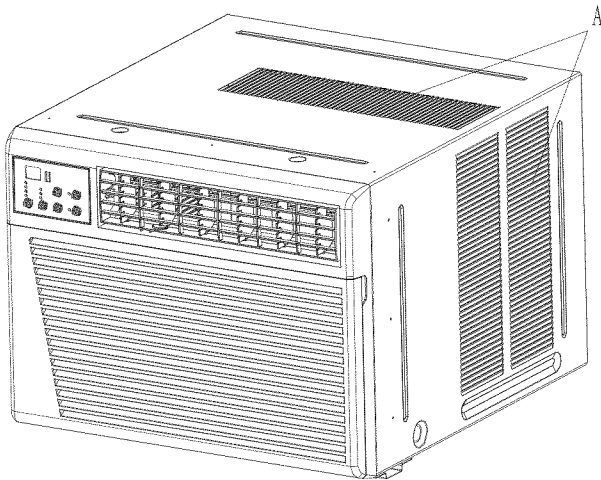
- F. Curtain Lock(2)
- G. Sash Lock (4)
- H. Foam Seal
- I. Screws and lock nut (4)
- J. Flat Head Bolt and lock nut (2)
- K.Remote Control

## Location Requirements

**IMPORTANT:** Observe all governing codes and ordinances. Check the location where the air conditioner will be installed. Make sure you have everything necessary for correct installation. The location should provide:

- Grounded electrical outlet within 4 ft (122 cm) of where the power cord exits the air conditioner.
  - NOTE:** Do not use an extension cord.
- Free movement of air in room to be cooled.
- A large enough opening for the air conditioner. Installation parts are supplied for double-hung windows.
- Adequate wall support for weight of air conditioner. Air conditioner weighs 134.7 lbs to 163.13 lbs (61.1 kg to 74 kg).

**NOTE:** Cabinet louvers must not be obstructed. Air must be able to pass freely through the cabinet louvers.

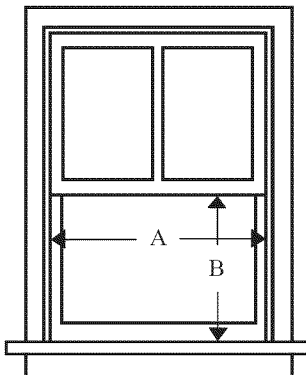


A. Cabinet louvers

## Window Installation

Window opening measurements:

- 30" minimum to 41" (76.2 cm to 101.1 cm) maximum opening width.
- 23 $\frac{3}{8}$ " (130.6 cm) minimum opening height.



A. 30 $\frac{1}{4}$ " (76.2 cm) minimum  
B. 23 $\frac{3}{8}$ " (130.6 cm) minimum

## Electrical Requirements

### ⚠ WARNING



#### Electrical Shock Hazard

**Plug into a grounded 3 prong outlet.**

**Do not remove ground prong.**

**Do not use an adapter.**

**Do not use an extension cord.**

**Failure to follow these instructions can result in death, fire, or electrical shock.**

The electrical ratings for your air conditioner are listed on the model and serial number label. The model and serial number label is located either on the side or back of the air conditioner cabinet or behind the front grille.

Specific electrical requirements are listed in the chart below. Follow the requirements for the type of plug on the power supply cord.

#### Power Supply Cord

#### Wiring Requirements

- 115-volt (103.5 min. to 126.5 max.)
- 0 to 12 amps
- 15-amp time-delay fuse or circuit breaker
- Use on single outlet circuit only.



Model: BWE15A

#### Power Supply Cord

#### Wiring Requirements

- 208/230-volt (187 min. to 253 max.)
- 0 to 12 amps
- 20-amp time-delay fuse or circuit breaker
- Use on single outlet circuit only.



Model: BWE18A  
BWE25A

#### Recommended Grounding Method

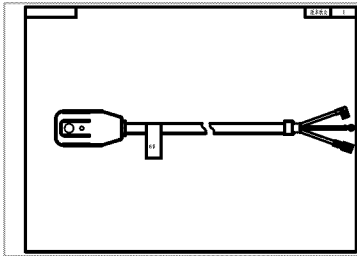
This air conditioner must be grounded. This air conditioner is equipped with a power supply cord having a 3 prong grounding plug. The cord must be plugged into a mating, grounded 3 prong outlet, grounded in accordance with all local codes and ordinances. If a mating outlet is not available, it is the customer's responsibility to have a properly grounded 3 prong outlet installed by a qualified electrical installer.

It is the customer's responsibility:

- To contact a qualified electrical installer.

## Power Supply Cord

**NOTE:** Your air conditioner's device may differ from the one shown.



A. Test button  
B. Reset button

This room air conditioner is equipped with a power supply cord required by UL. This power supply cord contains state-of-the-art electronics that sense current leakage. If the cord is crushed, the electronics detect current leakage and power will be disconnected in a fraction of a second.

## ⚠ WARNING



### Electrical Shock Hazard

**Plug into a grounded 3 prong outlet.**

**Do not remove ground prong.**

**Do not use an adapter.**

**Do not use an extension cord.**

**Failure to follow these instructions can result in death, fire, or electrical shock.**

### To test your power supply cord:

1. Plug power supply cord into a grounded 3 prong outlet.
2. Press RESET (on some devices, a green light will turn on).
3. Press TEST (listen for click; Reset button will trip, and on some devices, a green light will turn off).
4. Press and release RESET (listen for click; Reset button will latch, and on some devices, a green light will turn on). The power supply cord is ready for operation.

### NOTES:

- ❑ The Reset button must be pushed in for proper operation.
- ❑ The power supply cord must be replaced if it fails to trip when the test button is pressed or fails to reset.
- ❑ Do not use the power supply cord as an off/on switch.
- ❑ A damaged power supply cord must be replaced with a new power supply cord obtained from the product manufacturer and must not be repaired.
- ❑ The power supply cord contains no user serviceable parts. Opening the tamper-resistant case voids all warranty and performance claims.

## INSTALLATION INSTRUCTIONS

### Unpack the Air Conditioner

## ⚠ WARNING

### Excessive Weight Hazard

**Use two or more people to move and install air conditioner.**

**Failure to do so can result in back or other injury.**

### Remove Packaging Materials

- ❑ Remove and dispose of/recycle packaging materials. Remove tape and glue residue from surfaces before turning on the air conditioner. Rub a small amount of liquid dish soap over the adhesive with your fingers. Wipe with warm water and dry.
- ❑ Do not use sharp instruments, rubbing alcohol, flammable fluids, or abrasive cleaners to remove tape or glue. These products can damage the surface of your air conditioner.
- ❑ Handle the air conditioner gently.

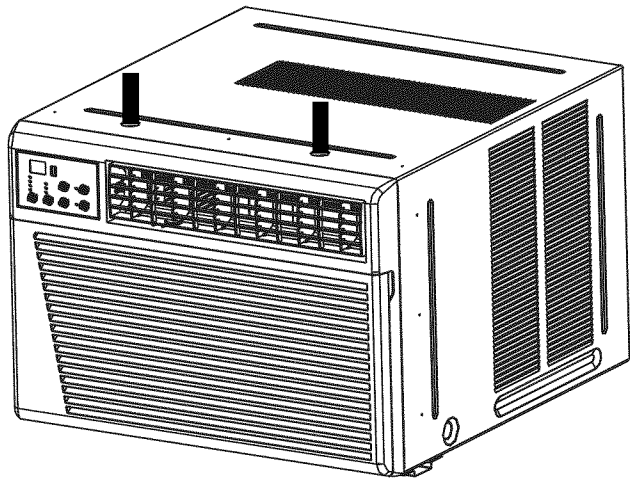
### Prepare Air Conditioner for Installation

#### Prepare unit for installation

Unpack unit on the floor next to installation location.

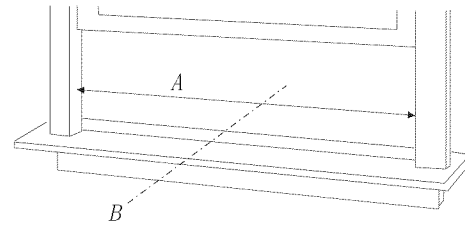
1. Remove two front attachment screws. Separate the outer case from the front with a putty knife at the catch points designated by the arrows.
2. Remove the screws on top of the outer case.
3. Using the basepan handle, slowly and evenly pull chassis out from outer case.

**NOTE: Cover putty knife blade with masking tape to guard against damage of the unit finish.**



## Prepare Window for Installation

1. Measure the width of the window opening.
2. Mark the center line on the inside windowsill.



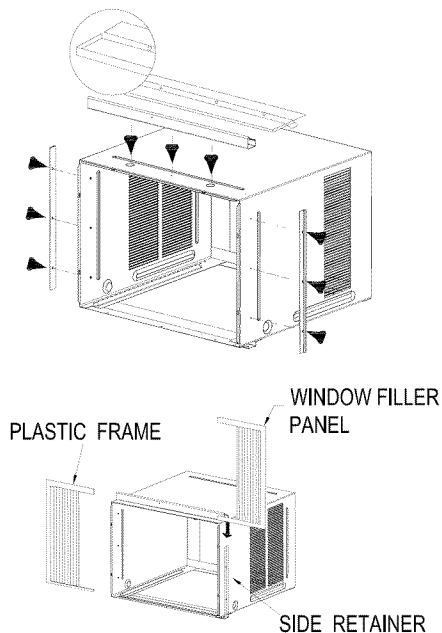
A. Width of window opening  
B. Center line

**CAUTION:** Never expose plastic front or grille to extreme temperatures.

## Assemble Curtain/Top channel

**NOTE:** Attach curtains to the air conditioner before placing the air conditioner in window.

1. Attach foam gasket to top of case above holes as shown in Fig 3 with 3 short screws.
2. Fasten curtain retainer strips to the sides of the outer case with six Short screws.
3. Slide left-hand curtain assembly into left end of top and bottom channels. repeat for right-hand curtain assembly.
4. Insert washer head locking screws(2) into holes in top leg of filler panel. Do not totally tighten. Allow leg to slide freely. Screws will be tightened after Section 6.



A. Top channel  
B. Short screws  
C. Short screws  
D. Side curtains

## Position Air Conditioner

### **⚠ WARNING**

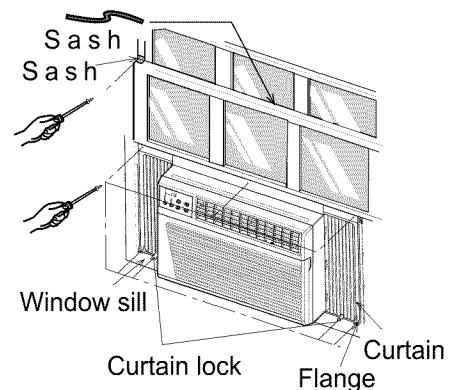
#### Excessive Weight Hazard

**Use two or more people to move and install air conditioner.**

**Failure to do so can result in back or other injury.**

#### NOTES:

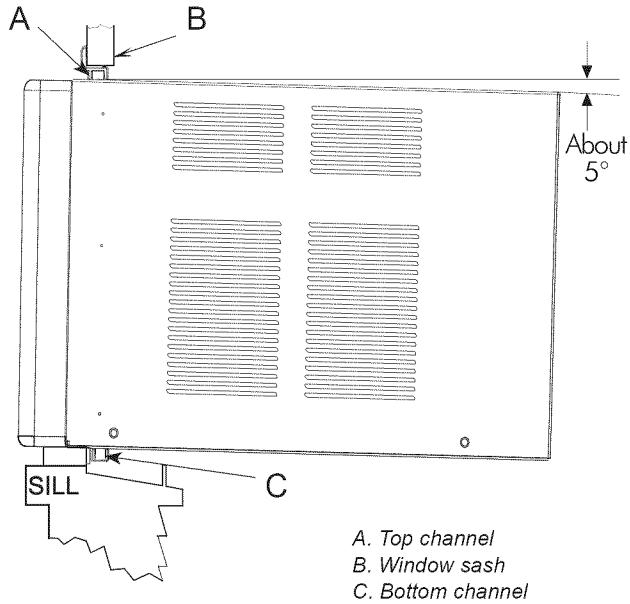
- Handle the air conditioner gently.
- Be sure your air conditioner does not fall out of the opening during installation or removal.
- The place where the power cord exits the air conditioner should be no more than 4 ft (122 cm) from a grounded outlet.
- Do not block the louvers in the front panel.
- Do not block the louvers on the outside of the air conditioner.



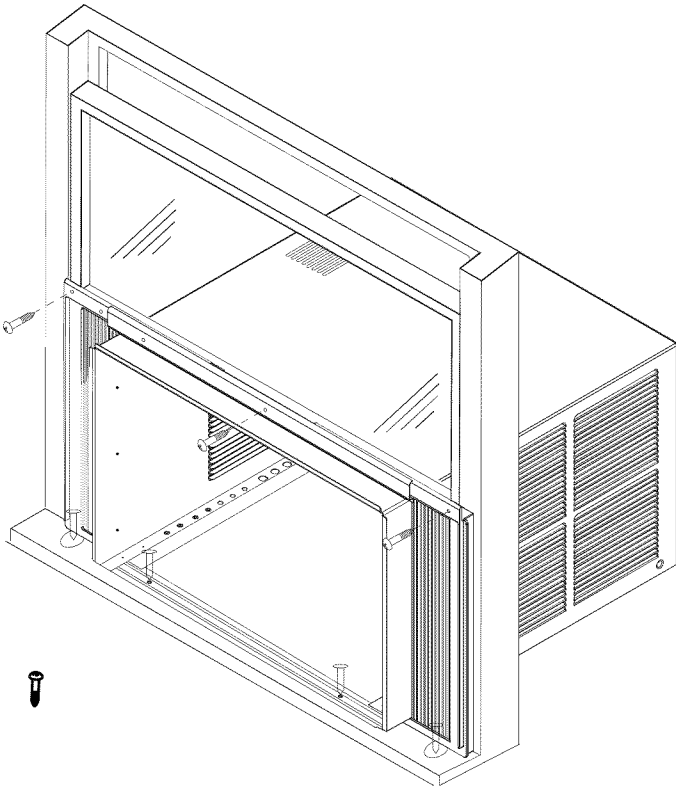
A. Side curtain against window channel  
B. Window sash behind top channel  
C. Bottom channel in behind windowsill

## Install outer case in window

1. Place outer case in window. Lower sash until it rests behind front flange of top channel. Bottom channel must rest behind window sill.

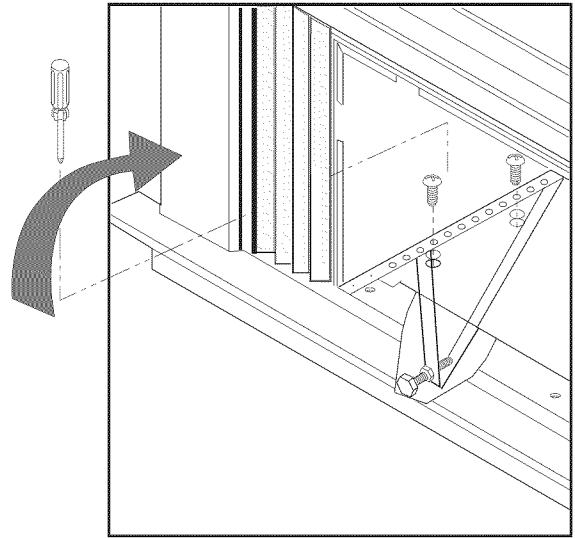


2. Expand both curtains to contact the window frame. Install four wood screws. One in each upper right and left of the curtains and one in each bottom tab.
3. Install one screw through center hole on top channel.
4. Use two wood screws 3/16" to fix the case to window sash.

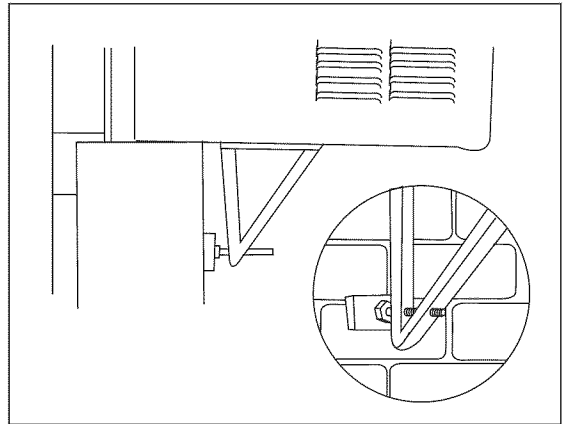


**NOTE:** To make screws easier to drive, drill a pilot hole into the sash through clearance hole in curtains.

5. Install left & right installation bracket and as shown in fig. Install bolt (2 1/2" long flat head bolt and locknut) to the installation bracket and adjust them to proper length, then use 4 short screws to fix the bracket on the case.

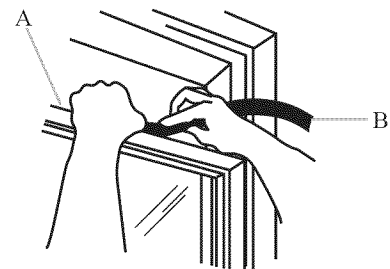


6. Use a wood block between the leveling bolts and the wall if the wall is weak or if the weight of the air conditioner falls between the studs in the wall.



## Complete Installation

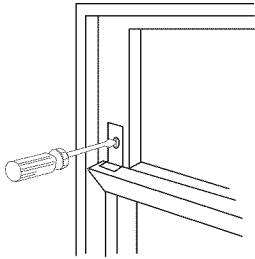
1. Insert the foam seal behind the top of the lower window sash and against the glass of the upper window.



A. Top of lower window sash  
B. Foam seal



2. Place the window lock bracket as shown. Use a  $\frac{1}{8}$ " drill bit to drill a starter hole through the hole in the window lock bracket and into the upper window.
3. Attach the window lock bracket to the upper window with one  $\frac{3}{32}$ " screw to secure the window in place.
4. Plug into a grounded 3 prong outlet.
5. Press RESET on the power supply cord. See "Electrical Requirements."

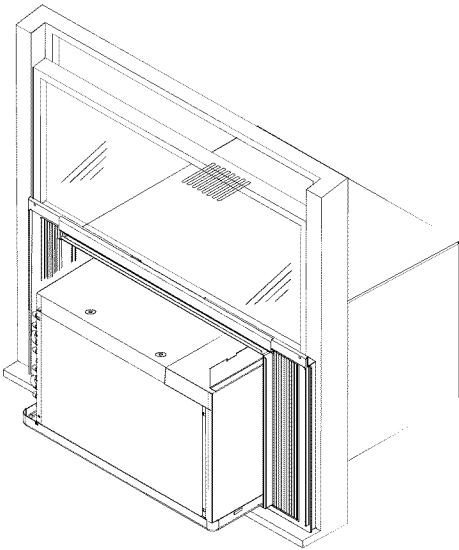



---

### Return chassis to the outer case

---

Find someone to help you replace the chassis in outer case. Replace front panel and grille.



**IMPORTANT:** Because the window sash helps keep the unit in window, make certain the window sash contacts the outer case before reinstalling the chassis.

## ⚠ WARNING



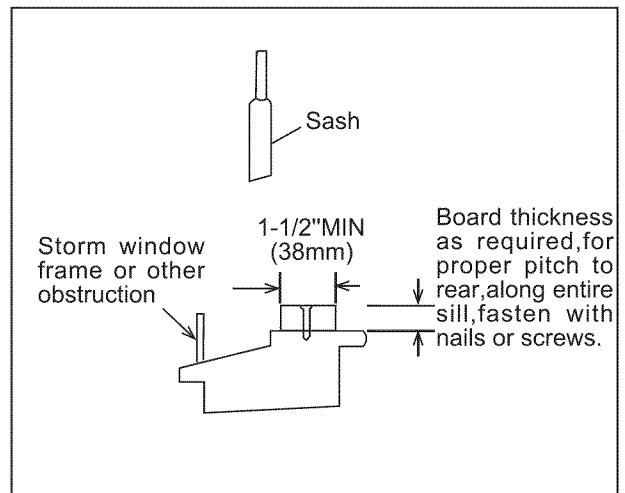
### Electrical Shock Hazard

- Plug into a grounded 3 prong outlet.**
- Do not remove ground prong.**
- Do not use an adapter.**
- Do not use an extension cord.**
- Failure to follow these instructions can result in death, fire, or electrical shock.**

1. Plug into a grounded 3 prong outlet.
2. Press RESET on the power supply cord. See "Electrical Requirements."

### IF AC IS BLOCKED BY STORM WINDOW

- Add wood as shown in FIG.6, or remove storm window before air conditioner is installed.
- If storm window frame must remain, be sure the drain holes or slots are not caulked or painted shut. Accumulated rain water or condensation must be allowed to drain out.



# AIR CONDITIONER USE

Operating your air conditioner properly helps you to obtain the best possible results.

This section explains proper air conditioner operation.

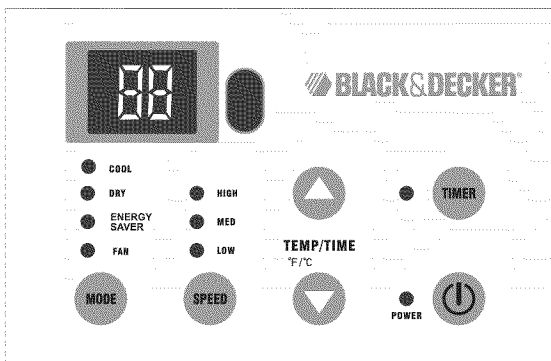
## IMPORTANT:

- If you turn off the air conditioner, wait at least 3 minutes before turning it back on. This keeps the air conditioner from blowing a fuse or tripping a circuit breaker.

- Do not try to operate your air conditioner in the Cool mode when outside temperature is below 61°F (16°C). The inside evaporator coil will freeze up, and the air conditioner will not operate properly.

**NOTE:** In the event of a power failure, your air conditioner will operate at the previous settings when the power is restored.

## Starting Your Air Conditioner



1. Remove the clear plastic film from the control panel.
2. Press POWER to turn on the air conditioner. The Power indicator light will turn on.



3. Select mode. See "Mode."
4. Select fan speed. See "Fan Speed."
5. Set temperature. See "Temperature."

## Mode

1. Press MODE until you see the indicator light glow for the desired setting.
2. Choose Fan, Cool, Energy Saver or Dry.
  - Fan—Only the fan runs. Press SPEED to select High, Med or Low fan speed. The display shows the current room temperature.
  - Cool—Cools the room. Press SPEED to select High, Med or Low fan speed. Press the TEMP/TIME up or down arrow button to adjust the temperature.

- Energy Saver—Fan runs only when cooling is needed. Press SPEED to select High, Med or Low fan speed. Because the fan does not circulate the room air continuously, less energy is used, but the room air is not circulated as often.
- Dehum—Dries the room. The air conditioner automatically selects the temperature. Fan runs on Low speed only.

**NOTE:** Dry mode should not be used to cool the room.



**NOTE:** After 5 seconds, display will show the current room temperature.

## Fan Speed

**NOTE:** In Dry mode, the Speed button will not operate.

1. Press SPEED until you see the indicator light glow for the desired setting.
2. Choose High, Med or Low.
  - High—for maximum cooling
  - Med—for normal cooling
  - Low—for minimum cooling



---

## Temperature

---

- Press the TEMP/TIME up arrow button to raise the temperature. Each time you press or hold the TEMP/TIME up arrow button, the temperature will go up 1°F until it reaches 90°F (32°C).

**NOTE:** After 5 seconds, the display will show the current room temperature.



- Press the TEMP/TIME down arrow button to lower the temperature. Each time you press or hold the TEMP/TIME down arrow button, the temperature will go down 1°F until it reaches 61°F (16°C).

**NOTE:** After 5 seconds, the display will show the current room temperature.

---

## Timer Delay

---

### To set the Timer for a 1-hour to 24-hour delay until the air conditioner turns off (the air conditioner must be On):

1. Press TIMER. Timer On indicator light will flash. Display will show remaining hours before the air conditioner will turn off.



2. Press the TEMP/TIME up or down arrow button to change the delay time from 0 hour to 24 hours.
3. After 5 seconds, Timer On indicator light will remain on. Display will show the current room temperature.

### To set the Timer to turn on the air conditioner, keeping previous settings:

1. Turn off the air conditioner.
2. Press TIMER. Timer On indicator light will flash. Display will show remaining hours before the air conditioner will turn on.
3. Press the TEMP/TIME up or down arrow button to change the delay time from 0 hour to 24 hours.
4. After 5 seconds, Timer On indicator light will remain on. Display will show the current room temperature.

### To set the Timer to turn on the air conditioner, changing the previous settings:

1. Turn on the air conditioner.
2. Adjust the mode to Fan, Cool, Energy Saver or Dry.
3. For Fan, Cool or Energy Saver mode, adjust the fan speed to High, Med or Low.  
**NOTE:** In Dry mode, the Speed button will not operate.
4. Adjust the temperature between 61°F and 86°F (16°C and 30°C).  
**NOTE:** In Fan mode, the temperature cannot be set.
5. Wait 3 seconds before turning off the air conditioner.
6. Press TIMER. Timer On indicator light will flash. Display will show remaining hours before the air conditioner will turn on.
7. Press the TEMP/TIME up or down arrow button to change the delay time from 0 hour to 24 hours.
8. After 5 seconds, Timer On indicator light will remain on. Display will show the current room temperature.

### To clear Timer delay program:

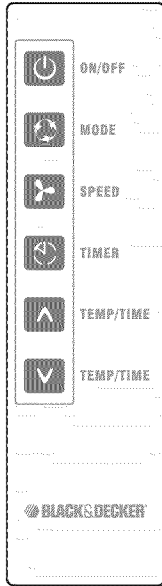
**NOTE:** Air conditioner can be either on or off.

1. Press TIMER once after it has been programmed. Display will show remaining time.
2. While the display is showing the remaining time, press TIMER again. Timer Off indicator light will turn on.

### To see or change the remaining time (in hours):

1. Press TIMER once after it has been programmed. Display will show remaining time.
2. While the display is showing the remaining time, press the up or down TEMP/TIME button to increase or decrease the time.
3. After 5 seconds, the display will show the current room temperature.

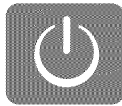
**NOTE:** Remote control may differ in appearance.



**NOTE:** Two AAA Batteries (included) powers the remote control. Replace battery after 6 months of use, or when the remote control starts to lose power.

## Power

Press ON/OFF to turn on the air conditioner.



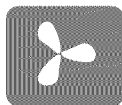
## Mode

Press MODE to choose Fan, Cool, Energy Saver or Dry.



## Speed

Press SPEED to choose High, Med or Low.



## Temperature

- Press the TEMP/TIME up arrow button to raise the temperature. Each time you press or hold the TEMP/TIME up arrow button, the temperature will go up 1°F until it reaches 90°F (32°C).



- Press the TEMP/TIME down arrow button to lower the temperature. Each time you press or hold the TEMP/TIME down arrow button, the temperature will go down 1°F until it reaches 61°F (16°C).



## Timer

**To set the Timer for a 0-hour to 24-hour delay before the air conditioner is turned off (the air conditioner must be On):**

1. Press TIMER. Timer On indicator light on the air conditioner control panel will flash.



2. Press the TEMP/TIME up or down arrow button to change the delay time from 0 hour to 24 hours.
3. After 5 seconds, Timer On indicator light on the air conditioner control panel will remain on.

**To set Timer to turn on the air conditioner, keeping previous settings:**

1. Turn off the air conditioner.
2. Press TIMER. Timer On indicator light on the air conditioner control panel will flash.
3. Press the TEMP/TIME up or down arrow button to change the delay time from 0 hour to 24 hours.
4. After 5 seconds, Timer On indicator light on the air conditioner control panel will remain on.

**To set Timer to turn on the air conditioner, changing the previous settings:**

1. Turn on the air conditioner.
2. Adjust the mode to Fan, Cool, Energy Saver or Dehum.
3. For Fan, Cool or Energy Saver mode, adjust the fan speed to High, Med or Low.

**NOTE:** In Dehum mode, the Speed button will not operate.

4. Adjust the temperature between 61°F and 86°F (16°C and 30°C).  
**NOTE:** In Fan mode, the temperature cannot be set.
5. Wait 3 seconds before turning off the air conditioner.
6. Press **TIMER**. Timer On indicator light on the air conditioner control panel will flash. Display will show remaining hours before the air conditioner will turn on.
7. Press the **TEMP/TIME** up or down arrow button to change the delay time from 0 hour to 24 hours.
8. After 5 seconds, Timer On indicator light on the air conditioner control panel will remain on. Display will show the current room temperature.

#### To clear Timer delay program:

**NOTE:** Air conditioner can be either on or off.

1. Press **TIMER** once after it has been programmed. Display on the air conditioner control panel will show remaining time.
2. While the display is showing the remaining time, press **TIMER** again. Timer Off indicator light will turn on.

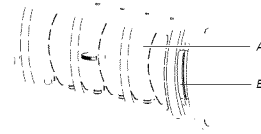
#### To see or change the remaining time (in hours):

1. Press **TIMER** once after it has been programmed. Display on the air conditioner control panel will show remaining time.
2. While the display is showing the remaining time, press the **TEMP/TIME** up or down arrow button to increase or decrease the time.
3. After 5 seconds, the display on the air conditioner control panel will show the current room temperature.

## Changing Air Direction

**4-Way Air Flow:** The air directional louvers let you control the direction of the airflow to the desired direction. The airflow can be directed up-down, left-right.

**Vent:** The Fresh air vent allows the air conditioner to recirculate inside air, draw fresh air into the room and exhaust stale air to the outside.



A. 4-Way Air Flow

B. Vent

## Normal Sounds

When your air conditioner is operating normally, you may hear sounds such as:

- Droplets of water hitting the condenser, causing a pinging or clicking sound. The water droplets help cool the condenser.
- Air movement from the fan.
- Clicks from the thermostat cycle.
- Vibrations or noise due to poor wall or window construction.
- A high-pitched hum or pulsating noise caused by the modern high-efficiency compressor cycling on and off.

# AIR CONDITIONER CARE

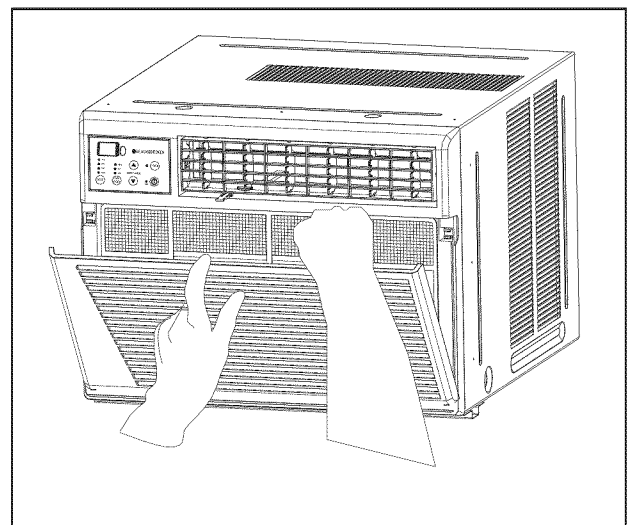
Your new air conditioner is designed to give you many years of dependable service. This section tells you how to clean and care for your air conditioner properly.

## Cleaning the Air Filter

The air filter is removable for easy cleaning. A clean filter helps remove dust, lint, and other particles from the air and is important for best cooling and operating efficiency. Check the filter every 2 weeks to see whether it needs cleaning.

**NOTE:** Do not operate the air conditioner without the filter in place.

1. Turn off the air conditioner.
2. Remove the air filter by opening the front panel and removing the air filter.



A. Air filter

B. Front panel

3. Use a vacuum cleaner to clean air filter. If the air filter is very dirty, wash it in warm water with a mild detergent. Do not wash the air filter in the dishwasher or use any chemical cleaners. Air dry the air filter completely before replacing to ensure maximum efficiency.
4. Replace the air filter.
5. Close the front panel.
6. Turn on the air conditioner.

### Cleaning the Front Panel

1. Turn off the air conditioner.
2. Clean the front panel with a soft, damp cloth.
3. Air dry the front panel completely.
4. Turn on the air conditioner.

### Annual Maintenance

#### Air Conditioner


Your air conditioner needs annual maintenance to help ensure steady, top performance throughout the year. Call your local authorized dealer to schedule an annual checkup. The expense of an annual inspection is your responsibility.

## TROUBLE SHOOTING

Before calling for service, try the suggestions below to see whether you can solve your problem without outside help.

#### Air Conditioner Will Not Operate

### ⚠ WARNING



**Electrical Shock Hazard**

**Plug into a grounded 3 prong outlet.**

**Do not remove ground prong.**

**Do not use an adapter.**

**Do not use an extension cord.**

**Failure to follow these instructions can result in death, fire, or electrical shock.**

- **The power supply cord is unplugged.** Plug into a grounded 3 prong outlet. See “Electrical Requirements.”

- **The power supply cord has tripped (Reset button has popped out).** Press and release RESET (listen for click; Reset button will latch and on some devices, a green light will turn on) to resume operation.
- **A household fuse has blown, or circuit breaker has tripped.** Replace the fuse or reset the circuit breaker. If the problem continues, call an electrician. See “Electrical Requirements.”
- **The Power button has not been pressed or the Mode control knob is turned to Off.** Press POWER or turn the Mode control knob to an active setting.
- **The local power has failed.** Wait for power to be restored.

#### Air conditioner blows fuses or trips circuit breakers

- **Too many appliances are being used on the same circuit.** Unplug or relocate appliances that share the same circuit.
- **Time-delay fuse or circuit breaker of the wrong capacity is being used.** Replace with a time-delay fuse or circuit breaker of the correct capacity. See “Electrical Requirements.”

- ❑ **An extension cord is being used.** Do not use an extension cord with this or any other appliance.
- ❑ **You are trying to restart the air conditioner too soon after turning off the air conditioner.** Wait at least 3 minutes after turning off the air conditioner before trying to restart the air conditioner.

---

### Air conditioner power supply cord trips (Reset button pops out)

---

- ❑ **Disturbances in your electrical current can trip (Reset button will pop out) the power supply cord.** Press and release RESET (listen for click; Reset button will latch and on some devices, a green light will turn on) to resume operation.
- ❑ **Electrical overloading, overheating, cord pinching or aging can trip (Reset button will pop out) the power supply cord.** After correcting the problem, press and release RESET (listen for click; Reset button will latch and on some devices, a green light will turn on) to resume operation.

**NOTE:** A damaged power supply cord must be replaced with a new power supply cord obtained from the product manufacturer and must not be repaired.

---

### Air conditioner seems to run too much

---

- ❑ **The current air conditioner replaced an older model.** The use of more efficient components may cause the air conditioner to run longer than an older model, but the total energy consumption will be less. Newer air conditioners do not emit the "blast" of cold air you may be accustomed to from older air conditioners, but this is not an indication of lesser cooling capacity or efficiency. Refer to the efficiency rating (EER) and capacity rating (in Btu/h) marked on the air conditioner.
- ❑ **The air conditioner is in a heavily occupied room, or heat-producing appliances are in use in the room.** Use exhaust vent fans while cooking or bathing and try not to use heat-producing appliances during the hottest part of the day. A higher capacity air conditioner may be required, depending on the size of the room being cooled.

---

### Air conditioner cycles on and off too much or does not cool room in cooling mode

---

- ❑ **The air conditioner is not properly sized for your room.** Check the cooling capabilities of your room air conditioner. Room air conditioners are not designed to cool multiple rooms.
- ❑ **The filter is dirty or obstructed by debris.** Clean the filter.
- ❑ **There is excessive heat or moisture (open container cooking, showers, etc.) in the room.** Use a fan to exhaust heat or moisture from the room. Try not to use heat-producing appliances during the hottest part of the day.
- ❑ **The louvers are blocked.** Install the air conditioner in a location where the louvers are free from curtains, blinds, furniture, etc.
- ❑ **The outside temperature is below 65°F (18°C).** Do not try to operate your air conditioner in the cooling mode when the outside temperature is below 65°F (18°C).
- ❑ **The temperature of the room you are trying to cool is extremely hot.** Allow extra time for the air conditioner to cool off a very hot room.
- ❑ **Windows or doors to the outside are open.** Close all windows and doors.
- ❑ **The Temperature control is not at a cool enough setting.** Adjust the TEMP/TIME control to a cooler setting by pressing the minus button to reduce the temperature. Set the Fan Speed control to the highest setting.

---

### Water drips from cabinet into your house

---

- ❑ The air conditioner is not properly leveled. The air conditioner should slope slightly downward toward the outside. Level the air conditioner to provide a downward slope toward the outside to ensure proper drainage. See the Installation Instructions.  
**NOTE:** Do not drill a hole into the bottom of the metal base and condensate pan.

# Limited Warranty

## What is covered and for how long?

This warranty covers all defects in workmanship or materials for a period of:

**1 year parts (carry in only)**

**1 year labor (carry in only)**

**5 years sealed system (carry in only)**

The warranty commences on the date the item was purchased and the original purchase receipt must be presented to the authorized service center before warranty repairs are rendered.

## **EXCEPTION: Commercial or Rental Use Warranty**

**90 days labor (carry-in only)**

**90 days parts**

**No other warranty applies**

## What is covered.

1. The mechanical and electrical parts, which serve as a functional, purpose of this appliance for a period of 1 year. This includes all parts except finish, and trim.
2. The components of the sealed system e.g. hermetic compressor, condenser and evaporator from manufacturing defects for a period of 5 years from the date of purchase. Any damages to such components caused by mechanical abuse or improper handling or shipping will not be covered.

## What will be done?

1. We will repair or replace, at our discretion any mechanical or electrical part which proves to be defective in normal usage during the warranty period so specified.
2. There will be no charge to the purchaser for parts and labor on any covered items during the initial 1 year period. Beyond this period only parts are covered in the remaining warranty. Labor is not provided and must be paid by the customer.
3. Contact customer service:  
1-866-927-4833.

## **THIS WARRANTY COVERS APPLIANCES WITHIN THE CONTINENTAL UNITED STATES, PUERTO RICO AND CANADA.**

### **IT DOES NOT COVER THE FOLLOWING:**

Damages from improper installation.

Damages in shipping.

Defects other than manufacturing.

Damage from misuse, abuse, accident, alteration, lack of proper care and maintenance or incorrect current or voltage.

Damage from other than household use.

Damage from service by other than an authorized dealer or service center.

Decorative trims or replaceable light bulbs.

Transportation and shipping.

Labor (after the initial 1 year).

**THIS LIMITED WARRANTY IS GIVEN IN LIEU OF ALL OTHER WARRANTIES, EXPRESSED OR, INCLUDING THE WARRANTIES OF MERCHANTABILITY AND FITNESS FOR A PARTICULAR PURPOSE**

The remedy provided in this warranty is exclusive and is granted in lieu of all other remedies.

This warranty does not cover incidental or consequential damages, so the above limitations may not apply to you. Some States do not allow limitations on how long an implied warranty lasts, so the above limitations may not apply to you.

This warranty gives you specific legal rights, and you may have other rights, which vary, from state to state.

New York, NY 10018



Black & Decker and the Black & Decker logo are trademarks of The Black & Decker Corporation and are used under license. All rights reserved.

La mention Black & Decker et le logo Black & Decker sont des marques de commerce déposées de Black & Decker Corporation et sont utilisés en vertu d'une licence. Tous droits réservés.

Black & Decker y el logotipo de Black & Decker son marcas comerciales de The Black & Decker Corporation y se usan con licencia. Todos los derechos reservados.

**IMPORTANT**

Do Not Return This Product To The Store

If you have a problem with this product, please call 1-866-927-4833.

DATED PROOF OF PURCHASE REQUIRED FOR WARRANTY SERVICE

**IMPORTANT**

Ne pas Réexpédier ce Produit au Magasin

Pour tout problème concernant ce produit, veuillez contacter 1-866-927-4833.

UNE PREUVE D'ACHAT DATEE EST REQUISE POUR BENEFICIER DE LA GARANTIE.

**IMPORTANTE**

No regrese este producto a la tienda

Si tiene algún problema con este producto, por favor contacte al 1-866-927-4833.

NECESITA UNA PRUEBA DE COMPRA FECHADA PARA EL SERVICIO DE LA GARANTIA

115V~60Hz

Made in China  
Fabriqué en Chine  
Hecho en China

Printed in China

Haier America, New York, NY 10018

101119

## Free Manuals Download Website

<http://myh66.com>

<http://usermanuals.us>

<http://www.somanuals.com>

<http://www.4manuals.cc>

<http://www.manual-lib.com>

<http://www.404manual.com>

<http://www.luxmanual.com>

<http://aubethermostatmanual.com>

Golf course search by state

<http://golfingnear.com>

Email search by domain

<http://emailbydomain.com>

Auto manuals search

<http://auto.somanuals.com>

TV manuals search

<http://tv.somanuals.com>