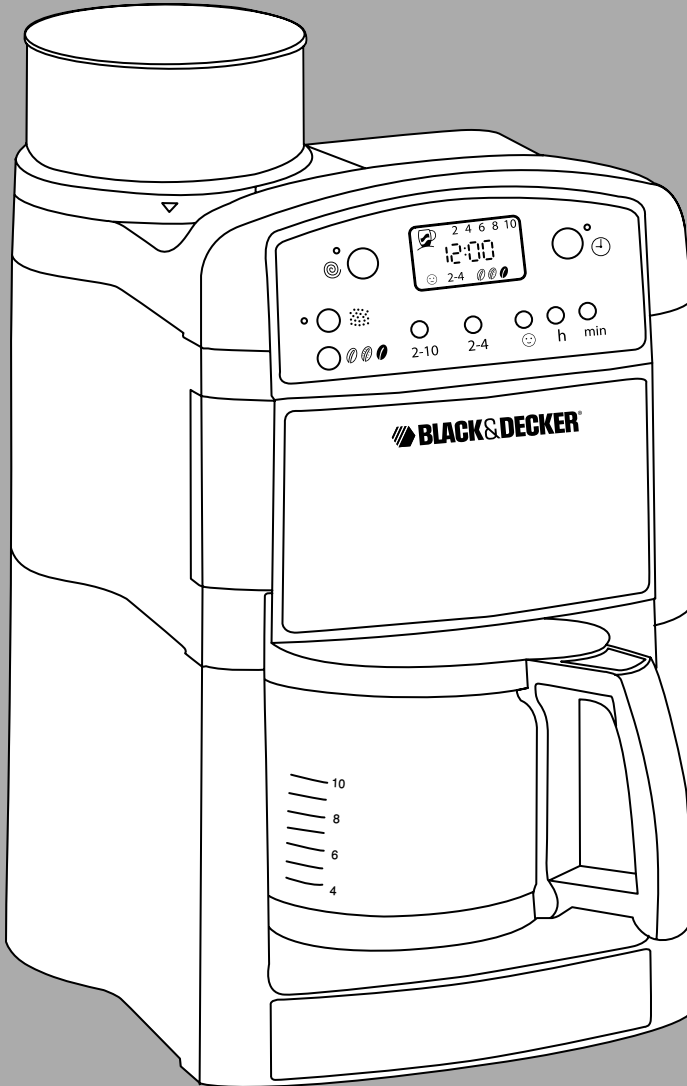


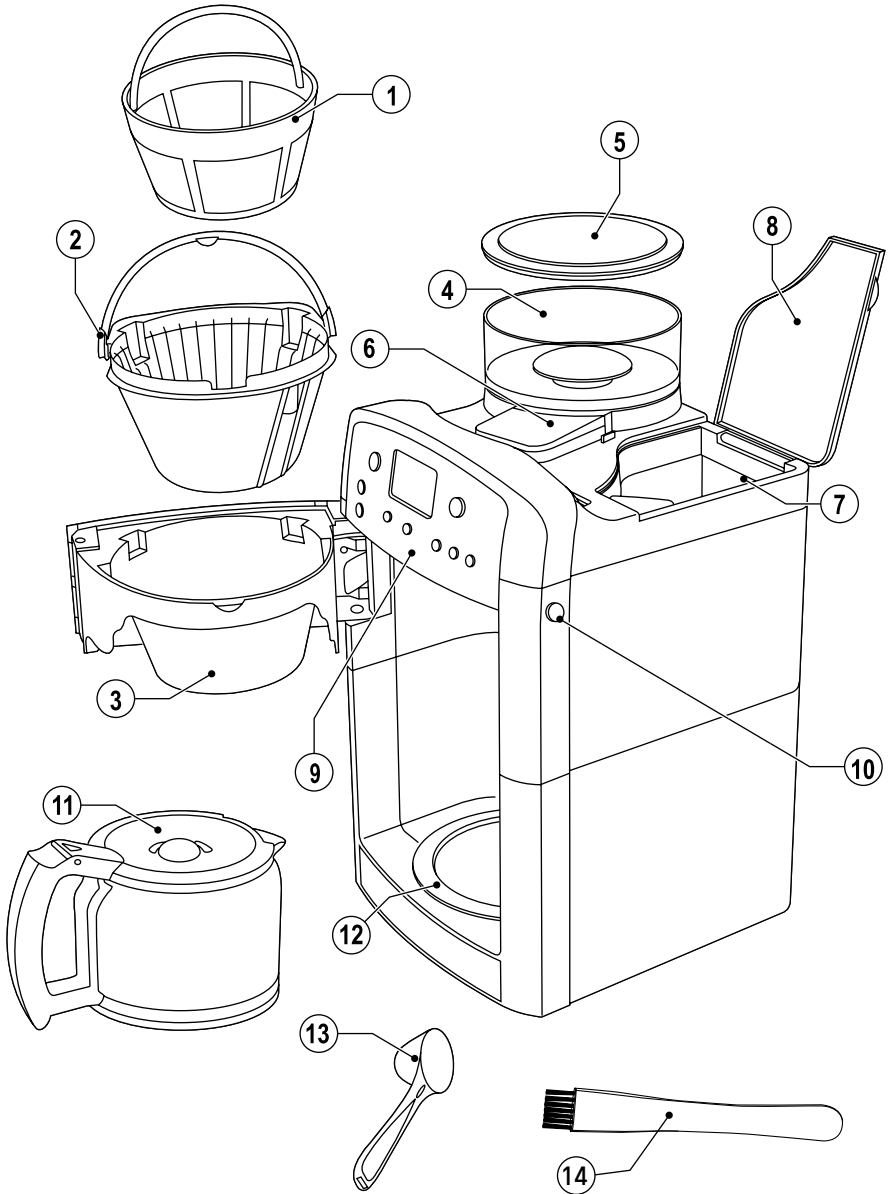


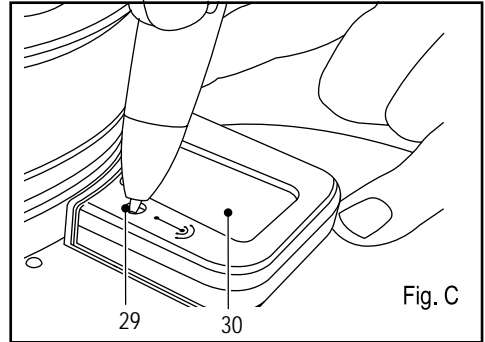
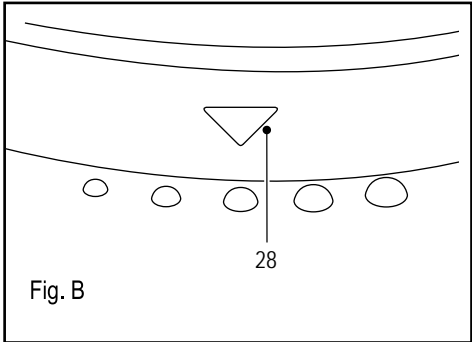
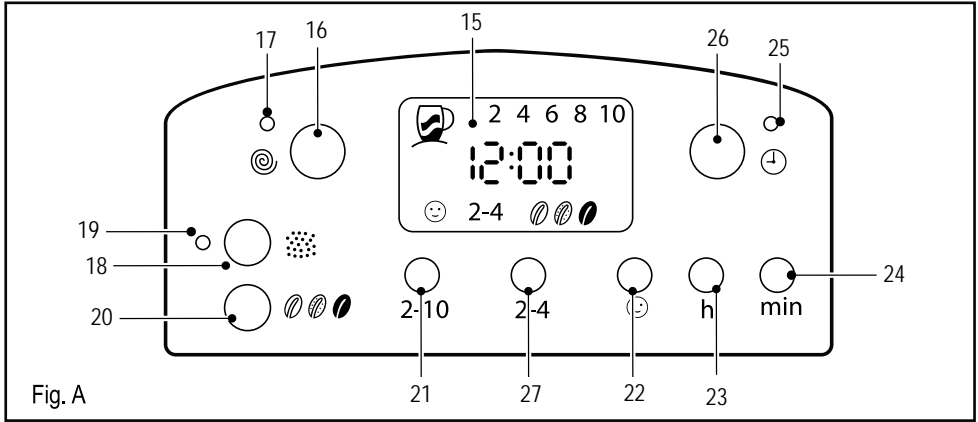
# BLACK & DECKER®



[www.blackanddecker.ae](http://www.blackanddecker.ae)

PRCM500





**Parts Identification**

- |   |   |
|---|---|
| <ul style="list-style-type: none"> <li>1. Filter</li> <li>2. Filter insert</li> <li>3. Filter holder</li> <li>4. Bean container</li> <li>5. Bean container lid</li> <li>6. Feeder channel</li> <li>7. Water tank</li> <li>8. Water tank lid</li> <li>9. Control panel</li> <li>10. Filter release button</li> <li>11. Carafe</li> <li>12. Hot plate</li> <li>13. Scoop</li> </ul> | <ul style="list-style-type: none"> <li>14. Brush</li> </ul> <p><b>Control Panel (Fig. A)</b></p> <ul style="list-style-type: none"> <li>15. Display window</li> <li>16. Grind and brew button</li> <li>17. Grind and brew indicator</li> <li>18. Brew button</li> <li>19. Brew indicator</li> <li>20. Brew strength button</li> <li>21. Number of cups button</li> <li>22. Clean button</li> <li>23. Hour button</li> <li>24. Minute button</li> <li>25. Timer indicator</li> <li>26. Timer button</li> <li>27. Low volume brew strength</li> </ul> |
|---|---|

## Intended use

Your Black & Decker coffee maker has been designed for making coffee.

This product is intended for household use only. Thank you for choosing Black & Decker. We hope that you will enjoy using this product for many years.



Read this entire manual carefully before using the appliance.

## Safety instructions

- **Warning!** When using mains-powered appliances, basic safety precautions, including the following, should always be followed to reduce the risk of fire, electric shock and personal injury.
- The intended use is described in this manual. The use of any accessory or attachment or the performance of any operation with this appliance other than those recommended in this instruction manual may present a risk of personal injury.
- Retain this manual for future reference.

## Using your appliance

- Always take care when using the appliance.
- Do not use the appliance outdoors.
- Do not operate the appliance if your hands are wet. Do not operate the appliance if you are barefoot.

- Guide the power supply cord neatly so it does not hang over the edge of a worktop and cannot be caught accidentally or tripped over.
- Never pull the power supply cord to disconnect the plug from the socket. Keep the power supply cord away from heat, oil and sharp edges.
- If the power supply cord is damaged during use, disconnect the appliance from the power supply immediately. Do not touch the power supply cord before disconnecting from the power supply.

## Safety of others

- This appliance is not intended for use by persons (including children) with reduced physical sensory or mental capabilities, or lack of experience and knowledge, unless they have been given supervision or instruction concerning use of the appliance by a person responsible for their safety.
- Children should be supervised to ensure that they do not play with the appliance.

## After use

- Switch off, remove the plug from the socket and let the appliance cool down before leaving it unattended and before changing, cleaning or inspecting any parts of the appliance.
- When not in use, the appliance should be stored in a dry place. Children should not have access to stored appliances.

## Inspection and repairs

- Switch off the appliance before cleaning, changing accessories or approaching parts which move in use
- Before use, check the appliance for damaged or defective parts. Check for breakage of parts, damage to switches and any other conditions that may affect its operation.
- Do not use the appliance if any part is damaged or defective.
- Have any damaged or defective parts repaired or replaced by an authorised repair agent.
- Before use, check the power supply cord for signs of damage, ageing and wear.
- Do not use the appliance if the power supply cord or mains plug is damaged or defective.
- If the power supply cord or mains plug is damaged or defective it must be repaired by an authorised repair agent in order to avoid a hazard. Do not cut the power supply cord and do not attempt to repair it yourself.
- Never attempt to remove or replace any parts other than those specified in this manual.

## Electrical safety

Before use, check that the mains voltage corresponds to the voltage on the rating plate.



This product must be earthed. Always check that the mains voltage corresponds to the voltage on the rating plate.

Appliance plugs must match the outlet. Never modify the plug in any way. Do not use any adapter plugs with earthed (Class 1) appliances. Unmodified plugs and matching outlets will reduce the risk of electric shock.

## Extension cables & class 1 product

- A 3 core cable must be used as your tool is earthed and of class 1 construction.
- Up to 30m (100 ft) can be used without loss of power.
- If the supply cord is damaged, it must be replaced by the manufacturer or an authorised Black & Decker Service Centre in order to avoid a hazard.

## Mains plug replacement

If a new mains plug needs to be fitted:

A 3 core cable must be used as your tool is earthed and of class 1 construction.

- Safely dispose of the old plug.
- Connect the brown lead to the live terminal in the new plug.
- Connect the blue lead to the neutral terminal.
- Connect the green/yellow lead to the earth terminal

**Warning!** Follow the fitting instructions supplied with good quality plugs.

- Allow the appliance to cool before fitting or removing any parts and before cleaning.
- During use, the carafe and the hotplate can get very hot.
- Do not use the appliance if the carafe shows any sign of cracks.
- Do not immerse the appliance in liquid.

**Warning!** The lid may become hot during use.

**Warning!** Steam may escape from the unit.

## Use

**Warning!** Never use the appliance without water in the reservoir.

## Before first use

- Unpack the coffee maker and remove all packaging, promotional materials and stickers. Remove all printed documents.
- Check that your mains supply is the same as the one indicated on the appliance.
- Position the appliance on a flat, stable work surface, away from the edge and other electrical appliances. Ensure that the coffee maker is not positioned under any cupboards or near any furnishings, wallpaper or similar that could be damaged by hot steam.
- Wash all removable parts of the appliance in warm, soapy water. Rinse and dry thoroughly with a soft cloth. Do not use harsh/abrasive cleaners or place any part of the appliance in the dishwasher.

**Warning!** Never immerse the main body of the appliance, cord set or plug in water or any other liquid.

- We recommend that you first familiarise yourself with all parts of the appliance before using it for the first time. Do not fill with water or connect to the mains supply when doing this.
- To remove any remaining residue from the manufacturing process, we recommend operating the coffee maker as described in the ' Use ' section. This will flush the appliance out. Use water only, do not add coffee.

**Note!** Ensure that the coffee maker mains cord does not overhang the edge of the worktop.

**Note!** When the coffee maker is plugged in and operated for the first time, there may be a small amount of smoke and/or odour as the heating elements warm up. This represents no danger or malfunction with the product and should clear after a couple of uses.

## Setting the clock

The coffee maker can be started / stopped without setting the clock by pressing either the Brew button (18) or the Grind and brew button (16).

The clock has to be set for the automatic operation of the coffee maker to work.

- Connect the coffee maker to the mains supply and switch the socket on. The backlight will illuminate blue and the display will start to flash.
- Press the 'HOUR' button (23) until the correct hour is displayed. The time is set in 24 hour format.
- Press the 'MIN' button (24) until the correct minutes are displayed.
- The clock is now set.

## Adding coffee beans

- Lift the bean container lid and fill with coffee beans.
- Replace the bean container lid

## Setting the grinder fineness (Fig. B)

- Select the fineness setting by turning the bean container (4) until the white triangle (28) matches up with one of the five dots in front of the bean container. The largest dot to the right indicates the coarsest grind setting, the smallest dot on the left indicates the finest grind setting.
- For first time use, use the coarsest setting – the largest dot.
- For dark oily beans use the coarsest setting – the largest dot.

**Note!** Never fill the bean container with frozen or coated beans.

## Setting the quantity of coffee to grind

- Press the number of cups button (21) until the required number of cups is displayed. The grinder can grind the correct amount of coffee for 2, 4, 6, 8 or 10 cups of coffee.

**Note!** If you are making 2 or 4 cups of coffee, press the brew strength button (20) to turn the low volume brew strength feature on. This feature will slow down the brewing process so that your coffee will have the same strength as coffee from a full carafe.

## Adding pre-ground coffee

- Press the filter release button (10).
- Place the filter (1) in the filter insert (2).
- Place the filter insert (2) in the filter holder (3).
- Add the required amount of ground coffee. (Follow the instructions on the packet of your brand of coffee)
- Close the filter holder fully.

## Adding water

- Open the water tank lid (8).
- Using the glass carafe (11), fill the water tank (7) with the desired quantity of cold water.


**Note!** Do not fill with more than 10 cups of water from the glass carafe.


- Close the water tank lid (8) and place the empty carafe (11), with the lid closed, on the hot plate.

**Warning!** Do not open the water tank lid (8) whilst the coffee maker is on. Hot water may be ejected.

## Setting the Brew strength

- Set the Brew strength by pressing the Brew strength button (20).

 = Light strength coffee

 = Medium strength coffee

 = Dark strength coffee

## Grinding and brewing coffee now

- Fill the bean container.
- Fill the water tank with the required quantity of water.
- Place the empty carafe with the lid down onto the hot plate.
- Set the grinder fineness.
- Set the quantity of coffee to grind (2, 4, 6, 8 or 10 cups)

**Note!** If you are making 2 or 4 cups of coffee, press the low volume brew strength button (27) to turn the low volume brew strength feature on.

- Set the Brew strength.
- Press the grind and brew button (16).
- The coffee machine will now grind the correct amount of beans and brew your coffee.

**Note!** Once the brewing process is complete the coffee maker will begin the Keep Warm Time.

The 'Coffee Cup' indicator will flash in the display window and will go out once the hot plate switches off.

## Brewing pre-ground coffee now

- Fill the filter with the required quantity of pre-ground coffee.
- Fill the water tank with the required quantity of water.
- Place the empty carafe with the lid down onto the hot plate.
- Set the quantity of coffee to make (2, 4, 6, 8 or 10 cups)

**Note!** If you are making 2 or 4 cups of coffee, press the low volume brew strength button (27) to turn the low volume brew strength feature on.

- Set the Brew strength.
- Press the brew button (18).
- The coffee machine will now brew your coffee.

**Note!** Once the brewing process is complete the coffee maker will begin the Keep Warm Time. The 'Coffee Cup' indicator will flash in the display window and will go out once the hot plate switches off.

## Grinding and brewing coffee later

The coffee maker has a timer function which allows you to set an automatic time for the grinding and brewing process to begin.

- Fill the bean container.
- Fill the water tank with the required quantity of water.



- Place the empty carafe with the lid down onto the hot plate.
- Set the grinder fineness.
- Press and hold the timer button (26) for 2 seconds. The timer indicator (25) will flash.
- Press the 'HOUR' button (23) until the required start hour is displayed.
- Press the 'MIN' button (24) until the required start minute is displayed.

**Note!** You are setting the time at which you require the coffee maker to start grinding and brewing, in general you should programme a time which is approximately 10 – 15 minutes before you need the coffee.

- Set the quantity of coffee to grind (2, 4, 6, 8 or 10 cups)

**Note!** If you are making 2 or 4 cups of coffee, press the low volume brew strength button (27) to turn the low volume brew strength feature on.

- Set the Brew strength.
- Press the grind and brew button (16).
- Press and release the timer button (26).
- The timer indicator(25) will change from flashing to continuously on. The coffee machine will grind the correct amount of beans and brew your coffee at the pre-programmed start time.

**Note!** Once the brewing process is complete the coffee maker will begin the Keep Warm Time. The 'Coffee Cup' indicator will flash in the display window and will go out once the hot plate switches off.

## Brewing pre-ground coffee later

The coffee maker has a timer function which allows you to set an automatic time for the brewing process to begin.

- Fill the filter with the required quantity of pre-ground coffee.
- Fill the water tank with the required quantity of water.
- Place the empty carafe with the lid down onto the hot plate.
- Press and hold the timer button (26) for 2 seconds. The timer indicator (25) will flash.
- Press the 'HOUR' button (23) until the required start hour is displayed.
- Press the 'MIN' button (24) until the required start minute is displayed.

**Note!** You are setting the time at which you require the coffee maker to start grinding and brewing, in general you should programme a time which is approximately 10 – 15 minutes before you need the coffee.

- Set the quantity of coffee to make (2, 4, 6, 8 or 10 cups)

**Note!** If you are making 2 or 4 cups of coffee, press the low volume brew strength button (27) to turn the low volume brew strength feature on.

- Set the Brew strength.
- Press the brew button (18).
- Press and release the timer button (26).
- The timer indicator(25) will change from flashing to continuously on. The coffee machine will grind the correct amount of beans and brew your coffee at the pre-programmed start time.

**Note!** Once the brewing process is complete the coffee maker will begin the Keep Warm Time. The 'Coffee Cup' indicator will flash in the display window and will go out once the hot plate switches off.

## Anti-drip function

The appliance is fitted with an anti-drip function, allowing you to remove the carafe at any time, even when coffee is still dripping from the filter bowl.

- Take the carafe (11) from the hotplate (12) and pour the desired amount of coffee.
- Replace the carafe (11) on the hotplate (12) and allow the remainder of the coffee to drip into the carafe (11).

**Note!** You should replace the carafe back onto the hotplate (12) to prevent the filter holder (3) from overflowing.

## Clean

If your coffee maker is left on continuously the clean icon " ☺ "will be displayed when the coffee maker requires descaling. Follow the instructions outlined in the 'Care and Cleaning' section. The clean icon will be displayed continuously until reset by pressing the clean button (22).

## Cleaning and maintenance

**Warning!** Before cleaning and maintenance, switch the appliance off and remove the plug from the socket.

- Using the handles, remove the filter (1) and the filter insert (2) from the filter holder (3). Remove the used coffee grounds from the filter.

- Wash the carafe (11), the filter (2) and the filter insert (3) in hot, soapy water. Dry all parts and refit them.
- Wipe the outside of the appliance with a damp cloth.

## Cleaning the feeder channel (Fig. C)

Periodically check the feeder channel for oil and coffee build-up. As long as you can see coffee flowing freely through the feeder channel window there is no need to open the cover.

- Insert the filter (1) and the filter insert (2) is inserted in the filter holder (3).
- Close the filter holder (3).
- With a pointed tip push the small pin (29) in the window (30) down and slide the plastic cover forward.
- Wipe the inside clean with a dry cloth.
- Replace the feeder channel cover.

## Descaling the appliance

If the appliance is used in an area with hard water, it is advised to descale the appliance when from time to time.

- Use a commercial descaling agent for coffee makers, or use water and vinegar as follows:
- Fill the water tank (7) and add 3 teaspoons of vinegar. Operate the appliance as for making coffee until the reservoir is empty.
- Discard the used water and repeat the procedure 2 or 3 times with fresh water.

## Technical data

Voltage	220 - 240 Volts ~ 50/60Hz
Power	1000W
Weight	2.2kg

## Protecting the environment



Separate collection. This product must not be disposed of with normal household waste.

Should you find one day that your Black & Decker product needs replacement, or if it is of no further use to you, do not dispose of it with other household waste. Make this product available for separate collection.

- Black & Decker provides a facility for recycling Black & Decker products once they have reached the end of their working life. This service is provided free of charge. To take advantage of this service please return your product to any authorised repair agent who will collect them on our behalf.
- You can check the location of your nearest authorised repair agent by contacting your local Black & Decker office at the address indicated in this manual. Alternatively, a list of authorized Black & Decker repair agents and full details of our after-sales service and contact are available on the Internet at: [www.2helpU.com](http://www.2helpU.com).

## Guarantee

Black & Decker is confident of the quality of its products and offers an outstanding guarantee.

This guarantee statement is in addition to and in no way prejudices your statutory rights.

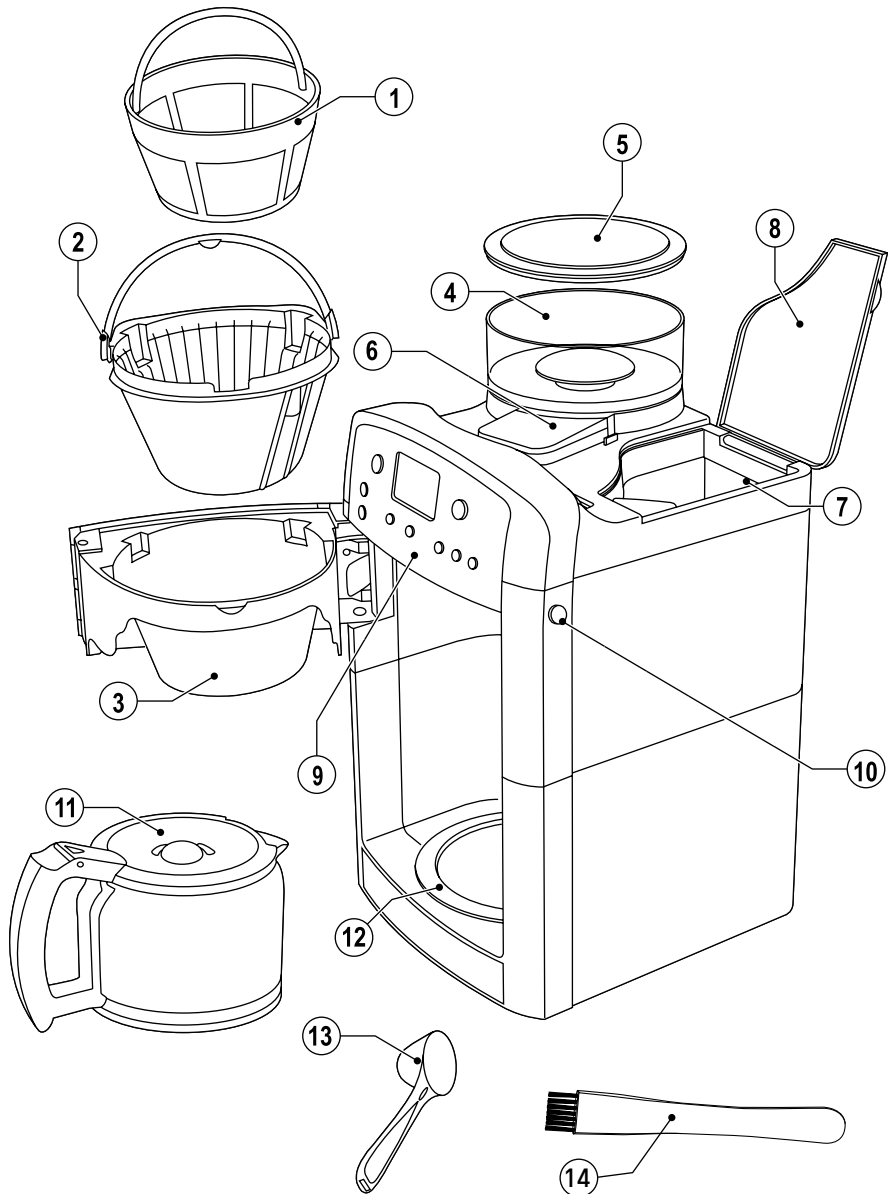
The guarantee is valid within the territories of the Member States of the European Union and the European Free Trade Area.

If a Black & Decker product becomes defective due to faulty materials, workmanship or lack of conformity, within 24 months from the date of purchase, Black & Decker guarantees to replace defective parts, repair products subjected to fair wear and tear or replace such products to ensure minimum inconvenience to the customer unless:

- The product has been used for trade, professional or hire purposes;
- The product has been subjected to misuse or neglect;
- The product has sustained damage through foreign objects, substances or accidents;
- Repairs have been attempted by persons other than authorised repair agents or Black & Decker service staff.

To claim on the guarantee, you will need to submit proof of purchase to the seller or an authorised repair agent. You can check the location of your nearest authorised repair agent by contacting your local Black & Decker office at the address indicated in this manual.

Alternatively, a list of authorised Black & Decker repair agents and full details of our after-sales service and contacts are available on the Internet at: [www.2helpU.com](http://www.2helpU.com).



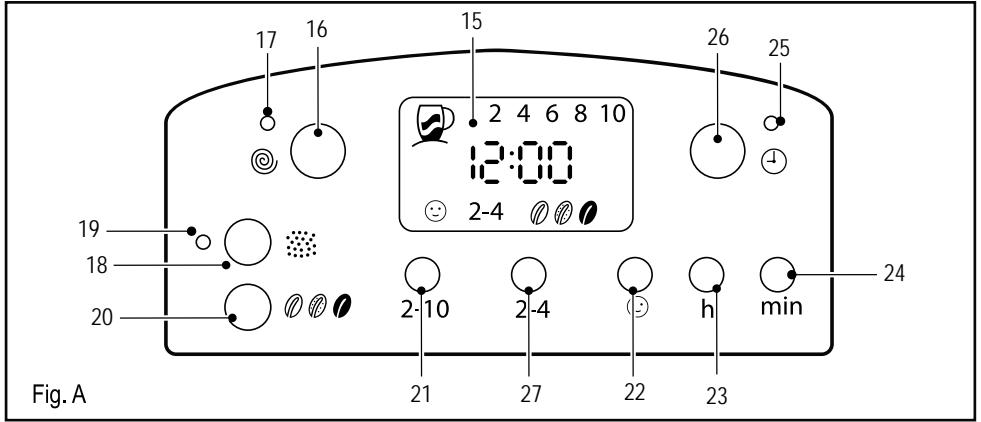


Fig. A

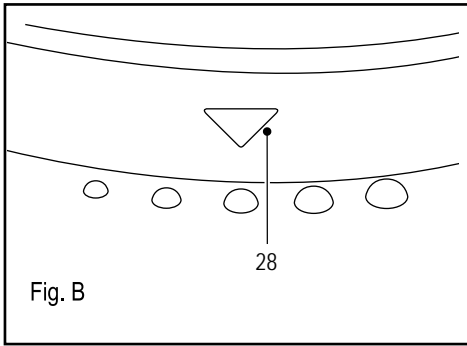


Fig. B

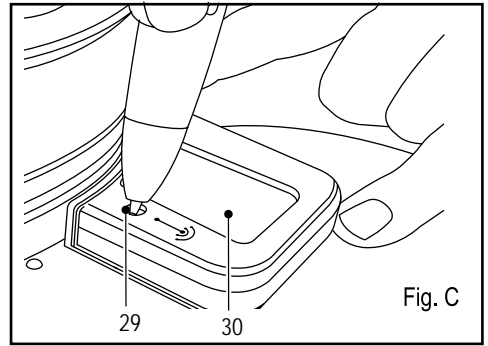


Fig. C

14 فرشاة

**(Fig A) لوحة التحكم**

- |    |                        |
|----|------------------------|
| 15 | شاشة العرض             |
| 16 | زر الطحن وإعداد القهوة |
| 17 | مؤشر الطحن والإعداد    |
| 18 | زر الإعداد             |
| 19 | مؤشر الإعداد           |
| 20 | زر قوة الإعداد         |
| 21 | زر عدد الأكواب         |
| 22 | زر التنظيف             |
| 23 | زر الساعة              |
| 24 | زر الدقائق             |
| 25 | مؤشر المؤقت            |
| 26 | زر المؤقت              |
| 27 | قوة إعداد كمية بسيطة   |

**تعريف الأجزاء**

- |    |                   |
|----|-------------------|
| 1  | مرشح              |
| 2  | قاعدة المرشح      |
| 3  | حامل المرشح       |
| 4  | حاوية الحبوب      |
| 5  | فتحة حاوية الحبوب |
| 6  | أنبوبة التغذية    |
| 7  | خزان المياه       |
| 8  | فتحة خزان المياه  |
| 9  | لوحة التحكم       |
| 10 | زر فك المرشح      |
| 11 | إبريق             |
| 12 | سخان              |
| 13 | مغرفة             |

## غرض الاستخدام

- افرد سلك التيار الكهربائي بدقة بحيث لا يتعلق فوق حواف سطح العمل أو المنضدة وبحيث لا يتم التعثر أو التعرقل به فجأة.

صُممت ماكينة إعداد القهوة بلاك أند ديكر خصيصاً لإعداد القهوة.

- لا تحاول مطلقاً شد سلك التيار الكهربائي لفصل القابس عن المقبس. احتفظ بسلك التيار الكهربائي بعيداً عن الحرارة والزيت والحواف الحادة.

هذا المنتج مصمم للاستخدام المنزلي فقط. ونحن نشركم على اختياركم منتجات بلاك أند ديكر، ونتمنى لكم الاستمتاع باستخدام هذا المنتج لسنوات عديدة.

- في حالة تلف سلك التيار الكهربائي أثناء الاستخدام، افصل على الفور الماكينة عن مصدر التيار الكهربائي. وينبغي تجنب لمس سلك التيار الكهربائي قبل فصله عن مصدر التيار الكهربائي.

ينبغي قراءة هذا الدليل بعناية قبل استخدام الماكينة.



## تعليمات السلامة

### سلامة الآخرين

- تحذير! عند استخدام الأجهزة المتصلة بمصدر التيار الرئيسي، يتعين دائماً مراعاة احتياطات السلامة الأساسية بما في ذلك الاحتياطات المذكورة أدناه للحد من مخاطر اندلاع الحريق والتعرض لصدمة كهربائية والإصابات شخصية.
- يحدد هذا الدليل الغرض من استخدام هذه الماكينة مع مراعاة أن استخدام أية ملحقات أو وحدات مرفقة أو تنفيذ أية عملية باستخدام هذه الماكينة غير تلك الموصى بها في هذا الدليل قد تنطوي على خطورة التعرض لإصابة بدنية.
- يرجى الاحتفاظ بهذا الدليل للرجوع إليه مستقبلاً.

### استخدام الماكينة

- هذه الماكينة غير مصممة ليستخدمها الأشخاص ذوو القدرات الجسدية الحسية أو العقلية المحدودة أو الخبرة والمعرفة القليلتين (بما في ذلك الأطفال) إلا في ظل الإشراف عليهم أو إعطائهم التعليمات المتعلقة باستخدام الماكينة من قبل الشخص المسؤول عن سلامتهم.
- يلزم الإشراف على الأطفال لضمان عدم عبثهم بالماكينة.

### بعد الاستخدام

- قم بإيقاف تشغيل الماكينة وانزع القابس من المأخذ وارك الماكينة حتى تبرد قبل تركها دون مراقبة وقبل تغيير أي من أجزائها أو تنظيفها أو فحصها.
- في حالة عدم استخدام الماكينة، يجب تخزينها في مكان جاف. ويجب عدم السماح للأطفال بالوصول إلى الأجهزة المخزنة.

• تoux الحذر دائماً عند استخدام الماكينة.

• لا تستخدم الماكينة خارج المنزل.

• لا تشغل الماكينة ويداك مبتلتين، ولا عندما تكون

حافى القدمين.

## الفحص والإصلاح

ويتعين أن يتوافق قابس الماكينة مع المأخذ، مع تجنب تعديل القابس بأي شكل من الأشكال. ويلزم عدم استخدام أي مهابئ للقوابس مع الأجهزة الموصلة بسلك تأريض (الفئة 1). ويقلل استخدام قوابس غير معدلة ومتوافقة مع المأخذ من مخاطر التعرض لصدمات كهربائية.

### كبلات التمديد ومنتجات الفئة "1"

- يتعين استخدام كبل ثلاثي الأطراف نظراً لكون هذه الماكينة من الأجهزة التي بها تأريض ومن منتجات الفئة "1"
- يمكن استخدام كبل توصيل إضافي يصل طوله إلى 30 متراً (100 قدم) دون حدوث أي فقدان للطاقة
- في حالة تلف سلك التيار الكهربائي، يلزم استبداله بواسطة الشركة المصنعة أو أحد مراكز صيانة بلاك آند ديكر المعتمدة لتجنب المخاطر.

### استبدال قابس المأخذ الرئيسي

- في حالة الحاجة لتركييب قابس جديد للمأخذ الرئيسي، يلزم اتباع ما يلي:
- استخدام كبل ثلاثي الأطراف؛ لأن هذه الماكينة من الأجهزة التي بها تأريض ومن منتجات الفئة "1"

• التخلص من القابس القديم على نحو آمن

• توصيل السلك البني اللون بالطرف المتصل بالتيار في القابس الجديد

• توصيل السلك الأزرق اللون بالطرف المحايد

• توصيل السلك الأخضر/ الأصفر اللون بالطرف الأرضي

• يلزم إيقاف تشغيل الماكينة قبل تنظيفها أو تغيير الملحقات أو الاقتراب من الأجزاء التي تتحرك أثناء التشغيل.

• افحص الماكينة قبل الاستخدام لاستكشاف أية أجزاء تالفة أو معيبة والتأكد من عدم وجود أية أجزاء مكسورة وعدم تلف المفاتيح أو أية ظروف أخرى قد تؤثر على كفاءة تشغيلها.

• لا تستخدم الماكينة في حالة وجود أي جزء تالف أو معيب.

• ينبغي الاستعانة بوكيل الصيانة المعتمد لإصلاح أية أجزاء تالفة أو معيبة أو استبدالها

• يلزم قبل الاستخدام فحص سلك التيار الكهربائي للتأكد من خلوه من علامات التلف أو القدم أو التآكل.

• يجب عدم استخدام الماكينة في حالة تلف سلك التيار الكهربائي أو القابس أو وجود عيب بأي منهما.

• إذا كان سلك التيار أو قابس التيار الرئيسي تالفاً أو معيباً، يتعين إصلاحه بمعرفة وكيل صيانة معتمد تجنباً لأية مخاطر. وتجنب قطع سلك التيار ومحاولة إصلاحه بنفسك.

• لا تحاول مطلقاً فك أو استبدال أي أجزاء غير الأجزاء المحددة في هذا الدليل.

### السلامة الكهربائية

تحقق قبل استخدام الماكينة من توافق فولطية المأخذ الرئيسي مع الفولطية المحددة على لوحة التصنيف.

يلزم تأريض هذا المنتج، ويلزم التأكد

دائماً من توافق فولطية المأخذ الرئيسي

مع الفولطية المحددة على لوحة التصنيف.



- اغسل كافة الأجزاء القابلة للفك باستخدام مياه دافئة وصابون، ومن ثم قم بشطفها وتجفيفها تماماً باستخدام قطعة قماش ناعمة. ويجب عدم استخدام أي منظفات قوية/ كاشطة أو غسل أي من أجزاء الماكينة في غسالة الأطباق.
  - تحذيراً! لا تغمر جسم الماكينة أو السلك أو القابس في الماء أو أي سائل آخر.
  - نوصي أولاً بالتعرف جيداً على أجزاء الماكينة قبل استخدامها للمرة الأولى مع مراعاة عدم تعبئة الماكينة بالماء أو توصيلها بمأخذ التيار الرئيسي في هذه الأثناء.
  - بغية التخلص من أية بقايا قد تكون عالقة من عملية التصنيع، نوصي بتشغيل الماكينة حسب التعليمات الموضحة في قسم "الاستخدام"، وسوف يؤدي هذا إلى تنظيف الماكينة. ويلزم استخدام الماء فحسب مع عدم إضافة القهوة.
  - ملاحظة! تأكد أن سلك التيار الرئيسي الخاص بماكينة إعداد القهوة غير متدلي من على حافة سطح العمل.
  - ملاحظة! عند توصيل ماكينة إعداد القهوة بالكهرباء وتشغيلها لأول مرة، قد ينبعث دخان و/أو رائحة بسيطة نتيجة ارتفاع درجة حرارة عناصر التسخين، ولا يمثل هذا أي خطر أو خلل في الماكينة وينبغي أن يختفي هذا الدخان و/أو الرائحة بعد الاستخدام لبضعة مرات.
- ### ضبط الساعة
- يمكن تشغيل/ إيقاف تشغيل ماكينة إعداد القهوة دون ضبط الساعة وذلك إما من خلال الضغط على زر الإعداد (18) أو زر الطحن والإعداد (16).
  - ويلزم ضبط الساعة لتفعيل خاصية التشغيل التلقائي في ماكينة إعداد القهوة.
- تحذيراً! اتبع تعليمات التركيب والتوصيل المرفقة مع القوابس عالية الجودة.
  - يلزم ترك الماكينة حتى تبرد قبل تركيب أو نزع أي من أجزائها أو قبل التنظيف.
  - يمكن أن تكون درجة حرارة الإبريق والسخان مرتفعة للغاية أثناء التشغيل.
  - لا تستخدم الماكينة في حالة ظهور أية شقوق في الإبريق.
  - لا تغمر الماكينة في السوائل.
  - تحذيراً! قد ترتفع درجة حرارة الفتحة أثناء التشغيل.
  - تحذيراً! قد يتسرب بعض البخار من الماكينة.
- ### الاستخدام
- تحذيراً! لا تستخدم الماكينة مطلقاً في حالة عدم وجود مياه في الخزان.
- ### قبل الاستخدام لأول مرة
- قم بإزالة كافة مواد التغليف والمواد الدعائية والملصقات وكافة الوثائق المطبوعة من عبوة الماكينة.
  - تحقق من توافق تيار المأخذ الرئيسي مع التيار المشار إليه على الماكينة.
  - ضع الماكينة على سطح عمل مسطح وثابت بعيداً عن الحافة وعن أية أجهزة كهربائية مع التأكد من عدم وضع الماكينة تحت أي خزانة أو بالقرب من أي أثاث أو ورق حائط أو أغراض مماثلة والتي يحتمل أن تتلف من البخار الساخن.



## تحديد مقدار القهوة التي يتم طحنها

- اضغط زر عدد الأكواب (21) إلى أن يتم ضبط عدد الأكواب المرغوب في إعدادها. ويمكن للمطحنة طحن كمية القهوة المناسبة لكوبين أو أربعة أو ستة أو ثمانية أو عشرة أكواب من القهوة.

ملاحظة: في حالة إعداد كوبين أو أربعة أكواب، يرجى الضغط على زر قوة الإعداد (20) لتشغيل خاصية قوة إعداد كمية بسيطة، وتعمل هذه الخاصية على إبطاء عملية الإعداد بما يضمن أن تكون القهوة غنية ومركزة كما هو الحال عند إعداد إبريق كامل.

## إضافة القهوة المطحونة مسبقاً

- اضغط زر فك المرشح (10).
- ثبت المرشح (1) في قاعدة المرشح (2).
- ثبت قاعدة المرشح (2) في حامل المرشح (3).
- أضف المقدار اللازم من القهوة المطحونة (مع اتباع التعليمات الموجودة على عبوة القهوة).

- قم بإغلاق حامل المرشح بشكل محكم.

## إضافة المياه

- افتح فتحة خزان المياه (8).
- استخدم الإبريق الزجاجي (11) في تعبئة خزان المياه (7) بكمية المياه الباردة التي ترغب في إضافتها.

ملاحظة! لا تقم بتعبئة أكثر من 10 أكواب من المياه من الإبريق الزجاجي.

- قم بإغلاق فتحة خزان المياه (8) ووضع الإبريق الفارغ (11) مع إغلاق الفتحة على سخان.

تحذير! لا تفتح فتحة خزان المياه أثناء تشغيل الماكينة، فقد تندفع المياه الساخنة من الماكينة.

- قم بتوصيل الماكينة بالتيار الكهربائي الرئيسي وتشغيل القابس، وسوف يضيء الضوء الخلفي باللون الأزرق وتبدأ الشاشة في الوميض.

- اضغط زر "الساعة" (23) إلى أن تظهر الساعة الصحيحة على الشاشة، ويتم ضبط الوقت وفق تنسيق 24 ساعة.

- اضغط زر "الدقائق" (24) لضبط الدقائق المعروضة على الشاشة.

- لقد تم الآن ضبط الساعة.

## إضافة حبوب القهوة

- ارفع فتحة حاوية الحبوب وقم بإضافة حبوب القهوة.
- أعد فتحة حاوية الحبوب إلى موضعها.

## ضبط درجة نعومة المطحنة (الشكل ب)

- اختر إعداد درجة النعومة من خلال إدارة حاوية الحبوب (4) إلى أن يصل المثلث الأبيض (28) إلى نقطة من النقاط الخمسة الموضحة على الجزء الأمامي من حاوية الحبوب. وتشير النقطة الكبرى الموجود جهة اليمين إلى أكثر درجات الطحن خشونة، وتشير النقطة الصغرى الموجودة جهة اليسار إلى أكثر درجات الطحن نعومة.

- عند الاستخدام للمرة الأولى، استخدم الإعداد الأكثر خشونة - النقطة الكبرى.

- بالنسبة للحبوب القاتمة الغنية، يلزم استخدام الإعداد الأكثر خشونة - النقطة الكبرى.

ملاحظة! لا تقم مطلقاً بملء حاوية القهوة بحبوب القهوة المجمدة أو المغطاة.

## ضبط قوة الإعداد

## إعداد القهوة المطحونة مسبقاً

- اضبط قوة الإعداد من خلال الضغط على زر قوة الإعداد (20).
- قم بتعبئة الحاوية بمقدار القهوة المطحونة مسبقاً اللازم.
- قهوة منخفضة التركيز
- قهوة متوسطة التركيز
- قهوة عالية التركيز
- اضبط كمية القهوة المراد إعدادها (كوبان أو أربعة أو ستة أو ثمانية أو عشرة أكواب).

## طحن الحبوب وإعداد القهوة في الحال

- قم بتعبئة حاوية الحبوب.
- قم بتعبئة خزان المياه بكمية المياه اللازمة.
- ضع الإبريق الفارغ مع إغلاق الفتحة على السخان.
- تحديد درجة نعومة الطحن.
- اضبط كمية القهوة المراد إعدادها (كوبان أو أربعة أو ستة أو ثمانية أو عشرة أكواب).
- ملاحظة! في حالة إعداد كوبين أو أربعة أكواب، يرجى الضغط على زر قوة إعداد كمية بسيطة (27) لتشغيل خاصية قوة إعداد كمية بسيطة.
- اضبط قوة الإعداد
- سوف تبدأ الماكينة في طحن مقدار الحبوب الصحيح وإعداد القهوة.
- ملاحظة! بعد الانتهاء من عملية الإعداد، سوف تبدأ الماكينة في تشغيل خاصية "وقت الاحتفاظ بسخونة القهوة". وسوف يضيء مؤشر "كوب القهوة" على شاشة العرض وينطفئ عند إيقاف تشغيل السخان.

## طحن وإعداد القهوة في وقت لاحق

- اضبط على زر الطحن والإعداد (16).
- سوف تبدأ الماكينة في طحن مقدار الحبوب الصحيح وإعداد القهوة.
- ملاحظة! بعد الانتهاء من عملية الإعداد، سوف تبدأ الماكينة في تشغيل خاصية "وقت الاحتفاظ بسخونة القهوة". وسوف يضيء مؤشر "كوب القهوة" على شاشة العرض وينطفئ عند إيقاف تشغيل السخان.
- قم بتعبئة حاوية الحبوب.
- قم بتعبئة خزان المياه بكمية المياه اللازمة.

## الإعداد اللاحق للقهوة المطحونة مسبقاً

- ضع الإبريق الفارغ مع إغلاق الفتحة على السخان.
- تحديد درجة نعومة الطحن.
- اضغط زر المؤقت (26) لمدة ثانيتين، وسوف يومض مؤشر المؤقت (25).
- اضغط على زر "الساعة" (23) حتى يتم ضبط ساعة البدء المطلوبة.
- اضغط على زر "الدقائق" (24) حتى يتم ضبط دقيقة البدء المطلوبة.
- ملاحظة! يتم ضبط الوقت الذي ترغب في أن تقوم فيه ماكينة القهوة في طحن وإعداد القهوة، وبصفة عامة ينبغي ضبط الماكينة لإعداد القهوة قبل 10 - 15 دقيقة من الوقت الذي تحتاج فيه القهوة.
- اضغط على زر "الساعة" (23) حتى يتم ضبط ساعة البدء المطلوبة.
- اضغط على زر "الدقائق" (24) حتى يتم ضبط دقيقة البدء المطلوبة.
- ملاحظة! يتم ضبط الوقت الذي ترغب في أن تقوم فيه ماكينة القهوة في إعداد القهوة، وبصفة عامة ينبغي ضبط الماكينة لإعداد القهوة قبل 10 - 15 دقيقة من الوقت الذي تحتاج فيه القهوة.
- اضغط كمية القهوة المراد طحنها وإعدادها (كوبان أو أربعة أو ستة أو ثمانية أو عشرة أكواب)
- ملاحظة! في حالة إعداد كوبين أو أربعة أكواب، يرجى الضغط على زر قوة إعداد كمية بسيطة (27) لتشغيل خاصية قوة إعداد كمية بسيطة.
- اضغط كمية القهوة المراد طحنها وإعدادها (كوبان أو أربعة أو ستة أو ثمانية أو عشرة أكواب).
- ملاحظة! في حالة إعداد كوبين أو أربعة أكواب، يرجى الضغط على زر قوة إعداد كمية بسيطة (27) لتشغيل خاصية قوة إعداد كمية بسيطة.
- اضغط قوة الإعداد.
- اضغط على زر الطحن والإعداد (16).
- اضغط على زر المؤقت (26) ثم توقف عن الضغط عليه.
- سوف يتحول مؤشر المؤقت (25) من الوميض إلى الإضاءة بصفة مستمرة. وسوف تقوم الماكينة بطحن وإعداد كمية القهوة المطلوبة حسب البرنامج المعد مسبقاً.
- ملاحظة! بعد الانتهاء من عملية الإعداد، سوف تبدأ الماكينة في تشغيل خاصية "وقت الاحتفاظ بسخونة القهوة". وسوف يضيء مؤشر "كوب القهوة" على شاشة العرض وينطفئ عند إيقاف تشغيل السخان.
- سوف يتحول مؤشر المؤقت (25) من الوميض إلى الإضاءة بصفة مستمرة. وسوف تقوم الماكينة بطحن وإعداد كمية القهوة المطلوبة حسب البرنامج المعد مسبقاً.

- اغسل الإبريق (11) والمرشح (2) وقاعدة المرشح (3) باستخدام الماء الدافئ والصابون، ومن ثم قم بتجفيف جميع القطع وإعادة تركيبها.
- امسح الجزء الخارجي من الماكينة باستخدام قطعة قماش مبللة.

### تنظيف أنبوب التغذية (الشكل ج)

ينبغي فحص أنبوبة التغذية دورياً للتخلص من تراكمات الزيوت والقهوة في أنبوب التغذية. وطالما أنك ترى أن القهوة تنساب بسلاسة من نافذة أنبوبة التغذية، لا يلزم فتح الغطاء.

- ركب المرشح (1) وقاعدة المرشح (2) في حامل المرشح (3).
- أغلق حامل المرشح.
- مستخدماً جسم مدبب السن، ادفع المسمار الصغير (29) الموجود في النافذة (30) إلى أسفل وادفع الغطاء البلاستيكي إلى الأمام.

- امسح الجزء الداخلي بقطعة قماش جافة.
- أعد غطاء أنبوب التغذية إلى مكانه.

### زالة الرواسب من الماكينة

في حالة استخدام الماء العسر في إعداد القهوة، ينصح بإزالة الرواسب من الماكينة من وقت لآخر.

- استخدم أحد مزيلات للرواسب التجارية المخصصة لماكينات إعداد القهوة أو استخدم المياه والخل كما يلي:
- قم بتعبئة خزان المياه (7) مع إضافة ثلاث ملاعق صغيرة من الخل، وقم بتشغيل الماكينة على نفس النحو المتبع عند إعداد القهوة إلى أن يفرغ الخزان.
- تخلص من المياه المستخدمة وكرر العملية مرتين أو ثلاث مرات باستخدام مياه جديدة

ملاحظة! بعد الانتهاء من عملية الإعداد، سوف تبدأ الماكينة في تشغيل خاصية "وقت الاحتفاظ بسخونة القهوة". وسوف يضيء مؤشر "كوب القهوة" على شاشة العرض وينطفئ عند إيقاف تشغيل السخان.

### خاصية منع التساقط

لقد تم تزويد الماكينة بخاصية منع التساقط التي تسمح للمستخدم برفع الإبريق في أي وقت حتى وإن كانت القهوة لا تزال تتساقط من حوض المرشح.

- قم برفع الإبريق (11) من على السخان (12) وصب القهوة المطلوبة.
- ضع الإبريق (11) على السخان (12) حتى يتم صب بقية القهوة في الإبريق (11).

ملاحظة! ينبغي إعادة وضع الإبريق (11) على السخان (12) تجنباً لانسكاب القهوة من حامل المرشح (3).

### التنظيف

في حالة ترك ماكينة إعداد القهوة في وضع العمل بصفة مستمرة، سوف تظهر أيقونة التنظيف "☺" متى لزم تنظيف الماكينة من الرواسب. ويلزم اتباع التعليمات الموضحة في قسم "العناية والتنظيف". وسوف تستمر أيقونة التنظيف في الظهور على الشاشة إلى أن يتم إعادة ضبطها بالضغط على زر التنظيف (22).

### التنظيف والصيانة

- تحذير! قبل التنظيف أو الصيانة، قم بإيقاف تشغيل الماكينة وإزالة القابس من مأخذ الكهرباء وترك الماكينة حتى تبرد.
- استخدم المقابض في فك المرشح (1) وقاعدة المرشح (2) من حامل المرشح (3)، وقم بإزالة رواسب القهوة من المرش

## البيانات الفنية

## لضمان

تتفق بلاك أند ديكر في جودة منتجاتها وتعرض ضماناً طويلاً الأجل.

بيان الضمان هذا يكون بالإضافة إلى حقوقك التي يمنحها القانون ولا يدخل بها بأي حال من الأحوال.

يسري الضمان في أقاليم الدول الأعضاء في الاتحاد الأوروبي ومنطقة التجارة الحرة الأوروبية.

في حالة وجود خلل في منتج بلاك أند ديكر بسبب عيب في المواد أو الصناعة أو عدم التوافق مع المعايير، خلال 24 شهراً من تاريخ الشراء، تضمن بلاك أند ديكر استبدال الأجزاء المعيبة وإصلاح المنتجات مع مراعاة التآكل والبلل الطبيعي أو استبدال هذه المنتجات لضمان أقل إزعاج للعميل ما لم:

◀ يتم استخدام المنتج في أغراض تجارية أو مهنية أو أغراض تأجير؛

◀ يتعرض المنتج لسوء الاستخدام أو الإهمال؛

◀ يتعرض المنتج للتلف نتيجة أشياء أو مواد غريبة أو حوادث؛

◀ يتم محاولة إصلاح المنتج بواسطة أشخاص غير وكلاء الصيانة المعتمدين أو فريق الصيانة التابع لشركة بلاك أند ديكر.

لتقديم مطالبة بموجب الضمان، سوف تحتاج إلى تقديم دليل الشراء للبائع أو وكيل الصيانة المعتمد. ويمكنك التعرف على موقع أقرب وكيل صيانة معتمد من خلال الاتصال على مكتب بلاك أند ديكر المحلي في العنوان الموضح في هذا الدليل.

وبدلاً من ذلك، توجد قائمة بوكلاء الصيانة المعتمدين التابعين لشركة بلاك أند ديكر والتفاصيل الكاملة لخدمات ما بعد البيع ووسائل الاتصال الخاصة بنا على الإنترنت على الموقع الإلكتروني: [www.2helpU.com](http://www.2helpU.com).

الفلوطية	220-240 فولت ~ 50/60 هرتز
الطاقة	1000 وات
الوزن	2.2

## حماية البيئة

الجمع المنفصل. يلزم عدم التخلص من هذا المنتج مع القمامة المنزلية العادية.

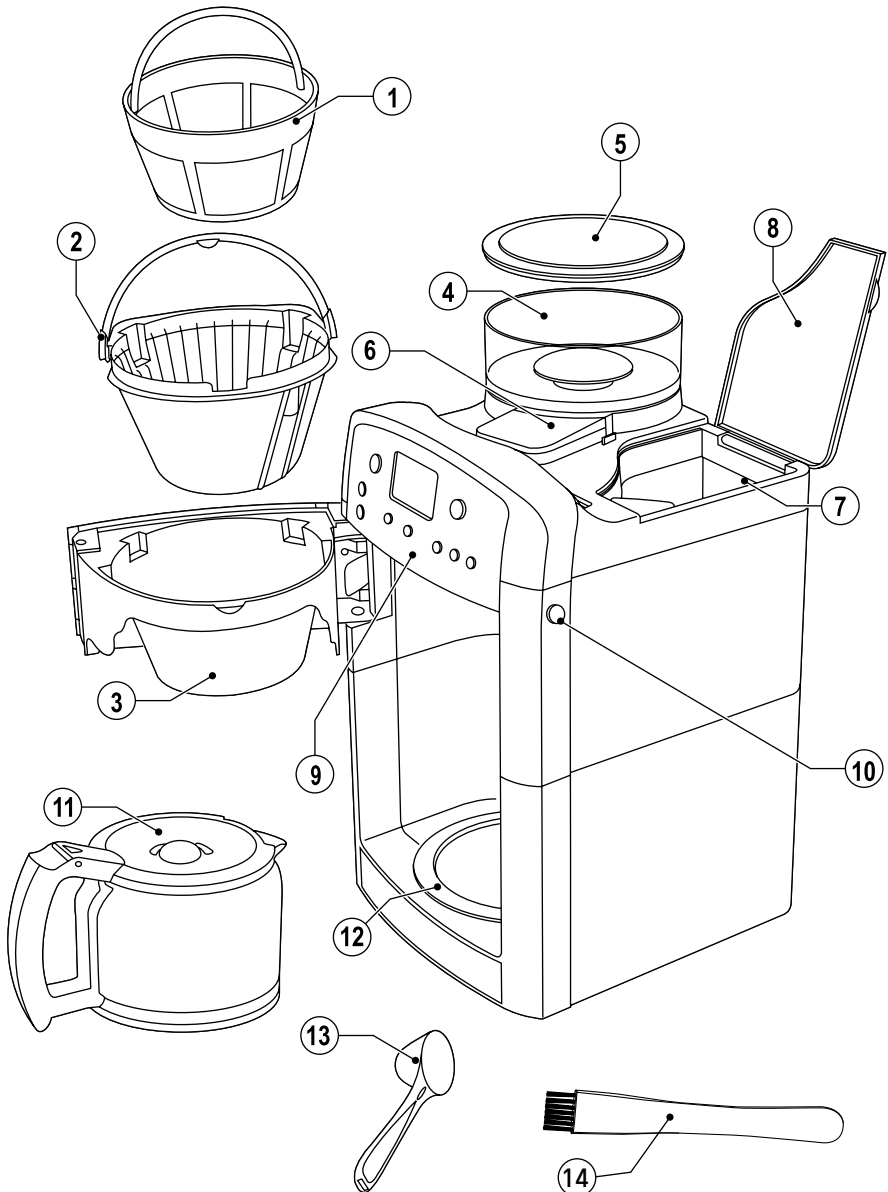


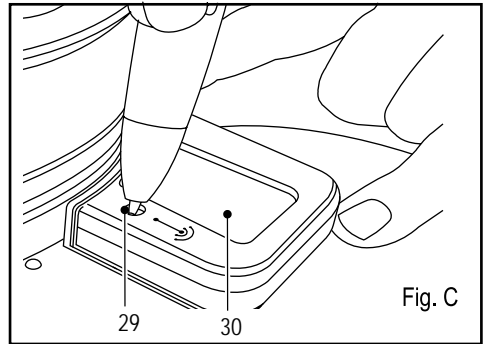
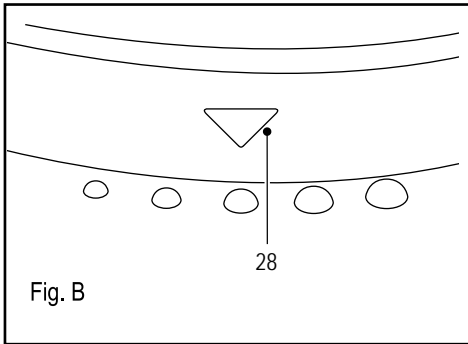
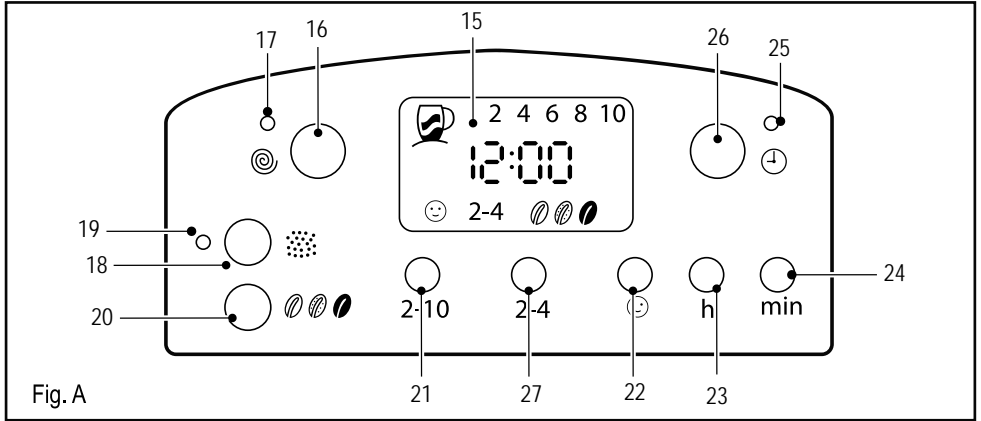
إذا لزم في يوم من الأيام استبدال منتج بلاك أند ديكر الخاص بك، أو إذا لم تعد تستخدمه، فلا تتخلص منه مع القمامة المنزلية الأخرى، بل تأكد من إتاحة هذا المنتج للجمع المنفصل.

• توفر شركة بلاك أند ديكر مرفق لإعادة تدوير منتجات بلاك أند ديكر بمجرد وصولها إلى نهاية عمرها وعدم صلاحيتها للعمل. ويتم تقديم هذه الخدمة مجاناً. للاستفادة من هذه الخدمة، يرجى إعادة المنتج إلى أي وكيل صيانة معتمد والذي سوف يتولى بدوره جمع المنتجات نيابة عنا.

• يمكنك التعرف على موقع أقرب وكيل صيانة معتمد من خلال الاتصال على مكتب بلاك أند ديكر المحلي في العنوان الموضح في هذا الدليل. وبدلاً من ذلك، توجد قائمة بوكلاء الصيانة المعتمدين التابعين لشركة بلاك أند ديكر والتفاصيل الكاملة لخدمات ما بعد البيع ووسائل الاتصال الخاصة بنا على الإنترنت على الموقع الإلكتروني: [www.2helpU.com](http://www.2helpU.com).

FRENCH





## Identification des pièces

1. Filtre
2. Elément filtrant
3. Porte-filtre
4. Compartiment à grains
5. Couvercle du compartiment à grains
6. Trémie (passage par lequel s'écoule le café fraîchement broyé)
7. Réservoir d'eau
8. Couvercle du réservoir d'eau
9. Tableau de commande
10. Bouton de relâche du filtre
11. Carafe
12. Plaque chauffante
13. Dosette

14. Brosse

## Tableau de commande (Fig. A)

15. Cadran d'affichage
16. Bouton mouture et infusion
17. Voyant mouture et infusion
18. Bouton infusion
19. Voyant infusion
20. Bouton de densité d'infusion
21. Bouton nombre de tasses
22. Bouton détartrage
23. Bouton de réglage des heures
24. Bouton de réglage des minutes
25. Voyant programmation
26. Bouton programmation
27. Densité d'infusion pour une faible quantité

## Utilisation prévue

Votre cafetière Black & Decker est conçue pour infuser du café.

Cet appareil est exclusivement prévu pour une utilisation domestique.

Nous tenons à vous remercier d'avoir choisi Black & Decker. Nous espérons que vous prendrez plaisir à utiliser cet appareil pendant de nombreuses années.



Lisez ce manuel attentivement avant d'utiliser l'appareil.

## Consignes de sécurité

- **Avertissement!** Lorsqu'on utilise un appareil électrique, des précautions de base, y compris les suivantes, doivent toujours être suivies afin de réduire les risques d'incendie, de chocs électriques ou de blessures corporelles.
- L'utilisation prévue est décrite dans ce manuel. L'utilisation d'un accessoire ou d'une pièce, ou l'exécution de toute opération avec cet appareil autres que celles recommandées dans ce manuel peut présenter un risque de blessures corporelles.
- Conservez ce mode d'emploi pour le consulter ultérieurement.

## Utilisation de votre appareil

- Toujours prendre des précautions lors de l'utilisation de l'appareil.
- Ne pas utiliser l'appareil à l'extérieur.
- Ne pas faire fonctionner l'appareil si vos mains sont humides. Ne pas faire fonctionner l'appareil si vous êtes pieds nus.

- Placez soigneusement le cordon d'alimentation et veillez à ce qu'il ne pende pas du plan de travail pour éviter de le prendre ou de trébucher dessus par mégarde.
- Ne jamais tirer sur le cordon d'alimentation pour débrancher la fiche de la prise. Le cordon d'alimentation ne doit jamais être à proximité d'une source de chaleur, de graisse ou d'angles vifs.
- Si le cordon d'alimentation est endommagé lors de l'utilisation, débranchez l'appareil immédiatement. Ne touchez pas le cordon d'alimentation avant d'avoir débranché l'alimentation électrique.

## Sécurité d'autrui

- Cet appareil n'est pas destiné à être utilisé par des personnes (y compris des enfants) ayant des capacités physiques, sensorielles ou mentales réduites, ou ayant un manque d'expérience et de connaissances, à moins qu'elles n'aient été formées et encadrées sur l'utilisation de l'appareil par une personne responsable de leur sécurité.
- Les enfants doivent être surveillés pour s'assurer qu'ils ne jouent pas avec l'appareil.

## Après utilisation

- Eteindre, puis retirer la fiche de la prise et laisser l'appareil refroidir avant de le laisser sans surveillance ou avant de changer, nettoyer ou inspecter une pièce ou partie de l'appareil.
- Lorsqu'il n'est pas utilisé, l'appareil doit être rangé dans un endroit sec. Les enfants ne doivent pas avoir accès aux appareils rangés.



## Inspection et réparations

- Eteindre l'appareil avant de le nettoyer, de changer les accessoires ou d'approcher les pièces en mouvement lors de son fonctionnement.
- Avant d'utiliser l'appareil, vérifier qu'aucune pièce ne soit endommagée ou défectueuse. Vérifier la présence de pièces cassées, d'interrupteurs endommagés ou toute autre condition qui pourraient affecter son fonctionnement.
- Ne pas utiliser l'appareil si une pièce est endommagée ou défectueuse.
- Faire réparer ou remplacer les pièces endommagées ou défectueuses par un réparateur agréé.
- Avant utilisation, vérifier l'état du cordon d'alimentation pour des signes de dommages, de vieillissement ou d'usure.
- Ne pas utiliser l'appareil si le cordon d'alimentation ou la fiche secteur est endommagée ou défectueuse.
- Si le cordon d'alimentation ou la fiche secteur est endommagée ou défectueuse, il doit être réparé par un réparateur agréé afin d'éviter tout danger. Ne pas couper le cordon d'alimentation et ne pas tenter de le réparer vous-même.
- N'essayez jamais de retirer ou de remplacer une pièce autre que celles spécifiées dans ce manuel.

## Sécurité électrique

Avant son utilisation, vérifiez que la tension électrique correspond à celle indiquée sur l'étiquette signalétique.

Ce produit doit être mis à la terre.



Toujours vérifier que la tension électrique correspond à celle indiquée sur l'étiquette signalétique.

La fiche de l'appareil doit correspondre à la prise. Ne jamais modifier la fiche de quelque façon que ce soit. Ne pas utiliser d'adaptateurs avec des appareils de type mis à la terre (Classe 1). Des fiches non modifiées et les prises correspondantes réduisent les risques de choc électrique.

## Rallonges & appareils de classe 1

- Un cordon à 3 fils doit être utilisé car votre appareil est mis à la terre et de fabrication classe 1.
- Une longueur de 30 m (100 pieds) peut être utilisée sans perte de puissance.
- Si le cordon d'alimentation est endommagé, il doit être remplacé par le fabricant ou un distributeur agréé Black & Decker afin d'éviter tout danger.

## Remplacement d'une prise électrique

En cas d'installation d'une nouvelle prise:

Un cordon à 3 fils doit être utilisé car votre appareil est mis à la terre et de fabrication classe 1.

- Jetez l'ancienne prise avec prudence.
- Connecter le fil marron sur la borne sous tension de la nouvelle prise.
- Connecter le fil bleu sur la borne neutre.
- Connecter le fil vert/jaune sur la borne terre

**Avertissement!** Suivre les instructions de montage fournies avec les prises de bonne qualité.

- Laisser l'appareil refroidir avant de monter ou démonter des pièces et avant de le nettoyer.
- Pendant le fonctionnement, la carafe et la plaque chauffante peuvent devenir très chaudes.
- Ne pas utiliser l'appareil si le verre de la carafe est fêlé.
- Ne pas immerger l'appareil dans un liquide.

**Avertissement!** Le couvercle peut devenir brûlant pendant le fonctionnement.

**Avertissement!** De la vapeur peut s'échapper de l'appareil.

## Utilisation

**Avertissement!** Ne jamais utiliser l'appareil sans eau dans le réservoir.

### Avant la première utilisation

- Déballez la cafetière et retirez tous les matériaux d'emballages et promotionnels et les étiquettes. Retirez toute la documentation.
- Vérifiez que votre alimentation électrique est la même que celle indiquée sur l'appareil.
- Positionner l'appareil sur une surface de travail plate et stable, loin des bords et d'autres appareils électriques. Assurez-vous que la cafetière ne soit pas placée sous un placard ou près de tissu d'ameublement, de papier peint ou similaire qui pourraient être endommagés par de la vapeur chaude.

- Laver toutes les pièces amovibles de l'appareil à l'eau chaude savonneuse. Rincer et essuyer soigneusement avec un chiffon doux. Ne pas utiliser de produits nettoyants durs/abrasifs ou placer toute partie de l'appareil dans le lave-vaisselle.

**Avertissement!** Ne jamais immerger le corps principal de l'appareil, le cordon ou la fiche dans de l'eau ou tout autre liquide.

- Nous vous recommandons de vous familiariser avec toutes les parties de l'appareil avant de l'utiliser pour la première fois. A cette occasion, ne pas remplir d'eau ni mettre sous tension.
- Pour enlever tout résidu de fabrication, nous vous recommandons de faire fonctionner la cafetière comme décrit dans la section 'utilisation'. Ceci permettra de nettoyer l'appareil, Utiliser seulement de l'eau et pas de café.

**Remarque!** Assurez-vous que le cordon de la cafetière ne pende pas du plan de travail.

**Remarque!** Lorsque la cafetière est branchée et fonctionne pour la première fois, il peut y avoir une petite quantité de fumée et / ou une odeur pendant que les éléments de chauffe deviennent chauds. Cela ne représente aucun danger ou un mauvais fonctionnement de l'appareil, et cet effet s'arrêtera après une ou deux utilisations.

## Réglage de l'horloge

La cafetière peut être mise en marche/arrêt sans régler l'horloge, en pressant soit le Bouton infusion (18) soit le Bouton mouture et infusion (16).

L'horloge doit être réglée pour le fonctionnement automatique de la cafetière.

- Branchez la cafetière à l'alimentation électrique et appuyez sur le commutateur de mise en marche. Le rétro-éclairage bleu s'allume et l'afficheur se met à clignoter.
- Presser le bouton 'HEURE' (23) jusqu'à l'affichage exact de l'heure. L'heure est réglée au format 24 heures.
- Presser le bouton 'MIN' (24) jusqu'à l'affichage exact des minutes.
- L'horloge est maintenant réglée.

## Ajout du café en grains

- Lever le couvercle du compartiment à grains et remplir de grains de café.
- Refermer le couvercle du compartiment à grains

## Réglage de la finesse de mouture (Fig. B)

- Sélectionner la finesse en tournant le compartiment à grains (4) jusqu'à ce que le triangle blanc (28) soit en face de l'un des cinq points à l'avant du compartiment à grains. Le point le plus gros à droite indique la mouture la plus grosse, le plus petit point à gauche indique la mouture la plus fine.
- Pour la première utilisation, utiliser la mouture la plus grosse – point le plus gros.
- Pour des grains de café noirs et huileux, utiliser la mouture la plus grosse – point le plus gros.

**Remarque!** Ne jamais remplir le compartiment à grains avec des grains congelés ou recouverts d'un glaçage.

## Régler la quantité de café à moudre

- Presser le bouton nombre de tasses (21) jusqu'à l'affichage du nombre de tasses voulu. Le moulin va broyer la quantité exacte de café pour 2, 4, 6, 8 ou 10 tasses de café.

**Remarque!** Si vous faites 2 ou 4 tasses de café, pressez le bouton de densité d'infusion (20) pour activer la fonction de densité d'infusion pour une faible quantité. Cette fonctionnalité va ralentir le processus d'infusion pour que votre café ait la même intensité que le café d'une carafe pleine.

## Ajout de café moulu

- Presser le bouton de relâche du filtre (10).
- Placer le filtre (1) dans l'élément filtrant (2).
- Placer l'élément filtrant (2) dans le porte-filtre (3).
- Ajouter la quantité désirée de café moulu. (Suivre les instructions sur votre paquet de café)
- Fermer le porte-filtre complètement.

## Ajout de l'eau

- Ouvrir le couvercle du réservoir d'eau (8).
- A l'aide de la carafe en verre (11), remplir le réservoir d'eau (7) de la quantité voulue d'eau froide.

**Remarque!** Ne pas remplir plus de 10 tasses d'eau avec la carafe en verre.

- Fermer le couvercle du réservoir d'eau (8) et placer la carafe vide (11), avec le couvercle fermé, sur la plaque chauffante.

**Avertissement!** Ne pas ouvrir le couvercle du réservoir d'eau (8) pendant que la cafetière est allumée. De l'eau chaude peut être projetée.

## Réglage de la densité d'infusion

- Régler l'intensité du café en pressant le bouton de densité d'infusion (20).

 = Intensité légère

 = Intensité moyenne

 = Intensité forte

## Mouture et infusion immédiates du café

- Remplir le compartiment à grains.
- Remplir le réservoir d'eau de la quantité d'eau voulue.
- Placer la carafe vide fermée avec son couvercle sur la plaque chauffante.
- Régler la finesse de mouture
- Régler la quantité de café à moudre (2, 4, 6, 8 ou 10 tasses)

**Remarque!** Si vous faites 2 ou 4 tasses de café, pressez le densité d'infusion pour une faible quantité (27) pour activer la fonction de densité d'infusion pour une faible quantité.

- Régler la densité d'infusion.
- Presser le bouton mouture et infusion (16).
- La cafetière va moudre la quantité exacte de grains et infuser votre café.

**Remarque!** Une fois l'infusion terminée, la cafetière commence la fonction de garder au chaud. Le voyant 'Tasse de café' se met à clignoter dans le cadran d'affichage et disparaît quand la plaque chauffante s'éteint.

## Infusion immédiate du café moulu

- Remplir le filtre avec la quantité voulue de café moulu.
- Remplir le réservoir d'eau de la quantité d'eau voulue
- Placer la carafe vide fermée avec son couvercle sur la plaque chauffante.
- Régler la quantité de café à infuser (2, 4, 6, 8 ou 10 tasses)

**Remarque!** Si vous faites 2 ou 4 tasses de café, pressez le densité d'infusion pour une faible quantité (27) pour activer la fonction de densité d'infusion pour une faible quantité.

- Régler la densité d'infusion.
- Presser le bouton infusion (18).
- La cafetière va infuser votre café.

**Remarque!** Une fois l'infusion terminée, la cafetière commence la fonction de garder au chaud. Le voyant 'Tasse de café' se met à clignoter dans le cadran d'affichage et disparaît quand la plaque chauffante s'éteint.

## Mouture et infusion différées du café

La cafetière possède une fonction de programmation qui vous permet de programmer une heure de mouture et d'infusion avec lancement automatique.

- Remplir le compartiment à grains.
- Remplir le réservoir d'eau de la quantité d'eau voulue.

- Placer la carafe vide fermée avec son couvercle sur la plaque chauffante.
- Régler la finesse de mouture.
- Presser et maintenir le bouton programmation (26) pendant 2 secondes. Le voyant programmation (25) va clignoter.
- Presser le bouton 'HEURE' (23) jusqu'à l'affichage de l'heure de démarrage souhaitée.
- Presser le bouton 'MIN' (24) jusqu'à l'affichage des minutes de démarrage souhaitées.

**Remarque!** Vous définissez l'heure à laquelle vous voulez que la cafetière commence à mouliner et à infuser, en général vous devez programmer un horaire qui se termine environ 10 à 15 minutes avant que vous ayez besoin du café.

- Régler la quantité de café à mouliner (2, 4, 6, 8 ou 10 tasses)

**Remarque!** Si vous faites 2 ou 4 tasses de café, pressez le densité d'infusion pour une faible quantité (27) pour activer la fonction de densité d'infusion pour une faible quantité.

- Régler la densité d'infusion.
- Presser le bouton mouture et infusion (16).
- Presser et relâcher le bouton programmation (26).
- Le voyant programmation (25) s'arrêtera de clignoter pour rester allumé en continu. La cafetière va commencer à mouliner la quantité exacte de grains et à infuser le café à l'heure de démarrage programmée.

**Remarque!** Une fois l'infusion terminée, la cafetière commence la fonction de garder au chaud. Le voyant 'Tasse de café' se met à clignoter dans le cadran d'affichage et disparaît quand la plaque chauffante s'éteint.

## Infusion différée du café moulu

La cafetière possède une fonction de programmation qui vous permet de programmer

une heure d'infusion avec lancement automatique.

- Remplir le filtre avec la quantité voulue de café moulu.
- Remplir le réservoir d'eau de la quantité d'eau voulue.
- Placer la carafe vide fermée avec son couvercle sur la plaque chauffante.
- Presser et maintenir le bouton programmation (26) pendant 2 secondes. Le voyant programmation (25) va clignoter.
- Presser le bouton 'HEURE' (23) jusqu'à l'affichage de l'heure de démarrage souhaitée.
- Presser le bouton 'MIN' (24) jusqu'à l'affichage des minutes de démarrage souhaitées.

**Remarque!** Vous définissez l'heure à laquelle vous voulez que la cafetière commence à mouliner et à infuser, en général vous devez programmer un horaire qui se termine environ 10 à 15 minutes avant que vous ayez besoin du café.

- Régler la quantité de café à infuser (2, 4, 6, 8 ou 10 tasses)

**Remarque!** Si vous faites 2 ou 4 tasses de café, pressez le densité d'infusion pour une faible quantité (27) pour activer la fonction de densité d'infusion pour une faible quantité.

- Régler la densité d'infusion.
- Presser le bouton infusion (18).
- Presser et relâcher le bouton programmation (26).
- Le voyant programmation (25) s'arrêtera de clignoter pour rester allumé en continu. La cafetière va commencer à mouliner la quantité exacte de grains et à infuser le café à l'heure de démarrage programmée.

**Remarque!** Une fois l'infusion terminée, la cafetière commence la fonction de garder au chaud. Le voyant 'Tasse de café' se met à clignoter dans le cadran d'affichage et disparaît quand la plaque chauffante s'éteint.

## Fonction anti-goutte

L'appareil est équipé d'une fonction anti-goutte, vous permettant de retirer la carafe à tout moment, même lorsque le café est toujours en train de couler de la cuve du filtre.

- Prendre la carafe (11) de la plaque chauffante (12) et verser la quantité voulue de café.
- Replacer la carafe (11) sur la plaque chauffante (12) et laisser le reste du café couler au goutte à goutte dans la carafe (11).

**Remarque!** Vous devez replacer la carafe sur la plaque chauffante (12) pour éviter au porte-filtre (3) de déborder.

## Détartrage

Si votre cafetière est branchée en permanence, l'icône " ☺ " de détartrage sera affichée lorsque la cafetière nécessite un détartrage. Suivre les instructions décrites dans la section 'Nettoyage et entretien'. L'icône de détartrage restera affichée en permanence jusqu'à la réinitialisation en pressant le bouton détartrage (22).

## Nettoyage et entretien

**Avertissement!** Avant l'entretien ou le nettoyage de l'appareil, mettre l'appareil hors tension et retirer la fiche de la prise de courant.

- A l'aide des poignées, retirer le filtre (1) et l'élément filtrant (2) du porte-filtre (3). Enlever le marc de café du filtre.

- Laver la carafe (11), le filtre (2) et l'élément filtrant (3) dans de l'eau chaude savonneuse. Sécher toutes les pièces et les remettre en place.
- Essuyer l'extérieur de l'appareil avec un chiffon humide.

## Nettoyage de la trémie (Fig. C)

Vérifier périodiquement la présence d'un amas de graisse et de café dans la trémie. Tant que vous pouvez voir le café s'écouler librement par la fenêtre de la trémie, il n'est pas nécessaire d'ouvrir la trappe.

- Insérer le filtre (1) et l'élément filtrant (2) dans le porte-filtre (3).
- Fermer le porte-filtre (3).
- A l'aide d'un objet pointu pousser la petite broche (29) dans la fenêtre (30) et faire coulisser la trappe en plastique vers l'avant.
- Nettoyer en essuyant l'intérieur avec un chiffon sec.
- Remettre la trappe de la trémie en place.

## Détartrage de l'appareil

Si l'appareil est utilisé dans une région où l'eau est dure, il est conseillé de détartrer l'appareil de temps à autre.

- Utiliser un détartrant pour cafetières du commerce, ou utiliser de l'eau et du vinaigre comme suit:
- Remplir le réservoir d'eau (7) et ajouter 3 cuillères à café de vinaigre. Faire fonctionner l'appareil comme pour infuser du café jusqu'à ce que le réservoir soit vide.
- Jeter l'eau utilisée et répéter l'opération 2 ou 3 fois avec de l'eau fraîche.

## Caractéristiques techniques

Tension	220 - 240 Volts ~ 50/60Hz
Puissance	1000W
Poids	2,2kg

## Protection de l'environnement



Collecte séparée. Ce produit ne doit pas être jeté avec les déchets domestiques normaux.

Si vous décidez de remplacer ce produit Black & Decker, ou si vous n'en avez plus l'utilité, ne le jetez pas avec vos déchets domestiques. Rendez-le disponible pour une collecte séparée.

- Black & Decker fournit un dispositif permettant de collecter et de recycler les produits Black & Decker lorsqu'ils ont atteint la fin de leur cycle de vie. Pour pouvoir profiter de ce service, veuillez retourner votre produit à un réparateur agréé qui se chargera de le collecter pour nous.
- Pour connaître l'adresse du réparateur agréé le plus proche de chez vous, contactez le bureau Black & Decker à l'adresse indiquée dans ce manuel. Vous pourrez aussi trouver une liste des réparateurs agréés de Black & Decker et de plus amples détails sur notre service après-vente sur le site Internet à l'adresse suivante : [www.2helpU.com](http://www.2helpU.com)

## Garantie

Black & Decker est confiant dans la qualité de ses produits et vous offre une garantie très étendue.

Ce certificat de garantie est un document supplémentaire et ne peut en aucun cas se substituer à vos droits légaux.

La garantie est valable sur tout le territoire des Etats Membres de l'Union Européenne et de la Zone de Libre Echange Européenne.

Si un produit Black & Decker s'avère défectueux en raison de matériaux en mauvaises conditions, d'une erreur humaine, ou d'un manque de conformité dans les 24 mois suivant la date d'achat, Black & Decker garantit le remplacement des pièces défectueuses, la réparation des produits usés ou cassés ou remplace ces produits à la convenance du client, sauf dans les circonstances suivantes :

- Le produit a été utilisé dans un but commercial, professionnel, ou a été loué.
- Le produit a été mal utilisé ou avec négligence.
- Le produit a subi des dommages à cause d'objets étrangers, de substances ou à cause d'accidents.
- Des réparations ont été tentées par des techniciens ne faisant pas partie du service technique de Black & Decker.

Pour avoir recours à la garantie, il est nécessaire de fournir une preuve d'achat au vendeur ou à un réparateur agréé. Pour connaître l'adresse du réparateur agréé le plus proche de chez vous, contactez le bureau Black & Decker à l'adresse indiquée dans ce manuel.

Vous pourrez aussi trouver une liste des réparateurs agréés de Black & Decker et de plus amples détails sur notre service après-vente sur le site Internet à l'adresse suivante : [www.2helpU.com](http://www.2helpU.com)

## Names & Addresses for Black & Decker Service Concessionaries

**AFGANISTAN:** United Ceramics & Building Materials Ltd. - Kolola Poshta, Kabul, Afghanistan, Tel: 0093-799-333128. **ALGERIA:** SARL Outillage Corporation, After Sale Service Center - 08, Rue Mohamed Boudiaf - Cheraga, Algiers, Algeria, Tel: 00213 21 375131, Fax: 00213 369667. **AZERBAIJAN:** Kontakt-NN LLC, Mehdiabad, Novkhani road14, Baku, Azerbaijan Az1000. Tel: +994 12 4086761, Fax: 0099-4125980378. **BAHRAIN:** Alfouz Services Co. WLL., P.O. Box 26562, Tubli, Manama, Tel: 00973-17783562/ 17879987, Fax: 00973-17783479. Kewalram & Sons Co. WLL - P.O. Box 84, Manama, Kingdom of Bahrain, Tel: 00973-17213110/ 17210617/ 17210619, Fax: 00973-17213211/ 17210627. **BANGLADESH:** Ultra Corporation, 8, Kushol Centre, Uttara, Dhaka 1230. Tel: +880-2-8922144, Fax: +880-2-8951339. **EGYPT:** Anasia Egypt for Trading S.A.E. (Mentrade), P.O. Box 2443, 9, Mostafa Reafaat, St.sheraton, Heliopolis, Cairo, Tel: 00202 22684 159, Fax: 00202 22684 169. **ETHIOPIA:** Seif Tewfik Sherif - Arada Sub City, Kebele 01-02, Global Insurance Bldg., 2nd Flr. Room 43, P.O.Box 2525, Addis Ababa, Ethiopia, Tel: 00-251-11-1563968/ 1563969, Fax: 00-251-11-1558009. **INDIA:** Gryphon Impex Pvt. Ltd., D-6/4, Okhla Industrial Area, Phase-I, New Delhi-110020. Tel: +91-11-26372602-4, Fax: +91-11-26372601. **JORDAN:** Palestine Bldg. Matl.(Bashiti Hardware), 93 King Abdullah 2nd St., Opp ELBA House, PO Box 1564, Tel: 00962.6.5349098 ext.11, Fax: 00962.6.5330731. **KENYA:** Zyllog Enterprises Ltd. (T/A Leading Concepts), IPS Building, Kaunda Street, P.O. Box 40877-00100, Nairobi, Tel: 00254-20-6905000, Fax: 00254-20-6905111. **KUWAIT:** Al Omar Technical Co., P.O. Box 4062, Safat 13041, Kuwait, Tel: 00965-24848595/ 24840039, Fax: 00965-24845652. The Sultan Centre, P.O. Box 26567-13126 Safat, Kuwait, Tel: 00965-24343155 Etn. 432, Fax: 00965-24319071. **LEBANON:** Aces Service Centre (Est. F.A.Ketaneh SA), P.O. Box 90-102, Nahr El Mot, Seaside Highway, Pharaon Building, Beirut. Tel: 00961-1-898989, Fax: 00961-1-245880. **LIBYA:** Homeworld Co., Building No.5, Senidal St., Amr Ibn Elaas Road, Benghazi, Libya. Tel: 00218-61-9094183. Service Center 1 - Benghazi: 0614705021, Service Center 2 - Tripoli: 0214622531. **MAURITIUS:** J.M. Goupille & Co. Ltd., Rogers Industrial Park 1, Riche Terre, Mauritius, Tel: 00230-2069450, Fax: 00230-2483188. **MOROCCO:** UATS 26 Rue Ennarjisse, Hay Erraihan, Beausejour - Hay Hassani - Casablanca, Morocco. Tel: +212 522945114, Fax: +212 522942442. **NEPAL:** Universal Trading Centre, P.O.Box 1947, Tripureswor, Kathmandu. Tel: +977-1-4265191. **NIGERIA:** Dana Electronics Limited, No. 54 Marina, Lagos, Nigeria, Tel: 00234-7431818/ 00234-803776774. Dana Electronics Limited - 33, Akin Adesola, VI, Lagos, Nigeria. Tel: +234 1 4610009, 4610027, +234 8057445477, +234 7028053630, Fax: +234 1 4610018. **OMAN:** Oman Marketing & Service Co. (Omasco), P.O. Box 2734, Behind Honda Showroom, Wattayah, Oman, Tel: 00968-24560232/ 24560255, Fax: 00968-24560993. Oman Marketing & Service Co. (Omasco), Al Ohi, Sohar, Oman, Tel: 00968-26846379, Fax: 00968-26846379. Oman Marketing & Service Co. (Omasco) - Sanaya, Salalah, Oman, Tel: 00968-23212290, Fax: 00968-23210936. **PAKISTAN:** Ammar Service & Spares - 60-Bank Arcade, Serai Road, Karachi, Pakistan, Tel: 0092-21-32426905, Fax: 0092-21-32427214. **PHILIPPINES:** 476 J. P. Rizal St., cor Kakarong St. Brgy Olympia, Makati City, Tel: +632 403-5698. **QATAR:** Al Mufthah Service Centre - Al Wakrah Road, P.O. Box 875, Doha, Qatar. Tel: 00974-4650880/ 4650110/ 4446868, Fax: 00974-4441415/ 4662599. **SAUDI ARABIA: (Al Khobar)** Al-Suwaiket Catering & Trading Co., P.O.Box 4228, King A.Aziz Street, Al Khobar, Tel: 00966-3-8591088, Fax: 00966-3-8595648. Fawaz Ebrahim Al Zayani Trading Est. P.O. Box 76026, Al Khobar # 31952, Tel: 00966-3-8140914, Fax: 00966-3-8140824. **(Jeddah)** Banaja Trading Co. Ltd, P.O. Box 366, Jeddah-21411, Tel: 00966-2-6511111, Fax: 00966-2-6503668. EAC (Al Yousef Contg. & Trdg. Est.), P.O. Box 30377, Jeddah -21477, Tel: 00966-2-6519912, Fax: 00966-2-6511153. **(Riyadh)** Banaja Trading Co. Ltd, P.O. Box 566, Riyadh-11421, Tel: 00966-1-4124444, Fax: 00966-1-4033378. **SOUTH AFRICA:** Trevco Power Tool Service 14 Steenbok Street, Koedoespoort, 0186, Pretoria, South Africa, Tel: 0027-86-1873826, Fax: 0027-86-5001771. **SRI LANKA:** Delmege Construction Products (Pvt) Ltd., No51 Stork Place, Colombo-10, Sri Lanka, Tel: +94-11-2688462-3, **TUNISIA:** Société Tunisienne De Chauffage - Rue de la Physique, Nouvelle Zone Industrielle de Ben Arous-2013 Tunisie, Tel: 00216-71-386102/ 380620, Fax: 00216-71380412 ext216. **UGANDA:** Anisuma Investment and Services Ltd., J R complex, Ware House No.5, Plot No 101, 3rd Street Industrial Area, Jinja Road, Kampala, Tel: 0414-237106. **UAE: (Abu Dhabi)** Light House Electrical, P.O. Box 120, Abu Dhabi, Tel: 00971-2-6726131, Fax: 00971-2-6720667. **(Dubai)** Black & Decker (Overseas) GmbH, P.O. Box 5420, Dubai, Tel: 00971-4-8127400/ 8127406, Fax: 00971-4-2822765. **(Musaffah)** Light House Electrical, P.O. Box 120, Abu Dhabi, Tel: 00971-2-5548315, Fax: 00971-2-5540461. **(Sharjah)** Mc Coy Middle East LLC, P.O. Box 25793, Sharjah, Tel: 00971-6-5395931, Fax: 00971-6-5395932. **(Ras Al Khaimah)** Mc Coy Middle East LLC, P.O.Box 10584, Ras Al Khaimah, Tel: 00971-7-2277095, Fax: 00971-7-2277096. **YEMEN: (Aden)** Muala St., Tel: +967 2 222670, Fax : + 967 2 222670. **(Sana'a)** Middle East Trad. Co. Ltd., P.O. Box 12363, Hayel Street, Sana'a. Tel: +967-1-204201, Fax: +967-1-204204. **(Taiz)** Middle East Trading Co.(METCO), 5th Flr.Hayel Saeed Anam Bldg, Al-Mugamma St. Taiz, Yemen, Tel: 00967-4-213455, Fax: 00967-4-219869.





WARRANTY REGISTRATION CARD

YOUR NAME/ الإسم .....

YOUR ADDRESS العنوان .....

POSTCODE الرمز البريدي .....

DATE OF PURCHASE تاريخ الشراء .....

DEALER'S NAME & ADDRESS/ إسم و عنوان البائع .....

Large empty rounded rectangular box for product details or signature.

PRODUCT MODEL NO. PRCM500



## Free Manuals Download Website

<http://myh66.com>

<http://usermanuals.us>

<http://www.somanuals.com>

<http://www.4manuals.cc>

<http://www.manual-lib.com>

<http://www.404manual.com>

<http://www.luxmanual.com>

<http://aubethermostatmanual.com>

Golf course search by state

<http://golfingnear.com>

Email search by domain

<http://emailbydomain.com>

Auto manuals search

<http://auto.somanuals.com>

TV manuals search

<http://tv.somanuals.com>