

Parts Identification

- | | |
|------------------------------|--------------------------|
| 1. Lid | 7. Basket handle |
| 2. Lid release button | 8. Handle release button |
| 3. On/Off - Temperature dial | 9. Cooking bowl |
| 4. Temperature indicator | 10. Basket |
| 5. Timer | 11. Viewing window |
| 6. Timer set button | 12. Filter cover |

Intended use

Your Black & Decker Deep Fryer has been designed for cooking ingredients as listed in the Frying Guide in this manual. This product is intended for household use only.



Read this entire manual carefully before using the appliance.

Safety instructions

Warning! When using mains-powered appliances, basic safety precautions, including the following, should always be followed to reduce the risk of fire, electric shock, personal injury and material damage.

- The intended use is described in this manual. The use of any accessory or attachment or the performance of any operation with this appliance other than those recommended in this instruction manual may present a risk of personal injury.
- Retain this manual for future reference.
- Always route the cord carefully to avoid a tripping hazard.
- Never operate an appliance directly below the socket-outlet it is connected to.

Using your appliance

- Make sure that the appliance is switched off before connecting to or disconnecting from the power supply.
- Always take care when using the appliance.
- Never pull the power supply cord to disconnect the plug from the socket.
- Keep the power supply cord away from heat,

oil and sharp edges.

- Surfaces may be hot during use and during the cool down period.
- Do not operate or place any part of this appliance on or near any hot surface, such as gas or electric burner or in a heated oven.
- When using an extension cord with your appliance, make sure the extension cord is correctly wire & rated for its use.

Safety of others

- Do not allow the cord set to hang over bench tops.
- This appliance is not intended for use by persons (including children) with reduced physical, sensory or mental capabilities, or lack of experience and knowledge, unless they have been given supervision or instruction concerning use of the appliance by a person responsible for their safety.
- Do not allow children or any person unfamiliar with these instructions to use the appliance.
- Do not allow children or animals to come near the work area or to touch the appliance or power supply cord. Close supervision is necessary when the appliance is used near children.
- Never leave the appliance unattended when in use.

After use

- Switch off and remove the plug from the socket before leaving the appliance unattended and before changing, cleaning or inspecting any parts of the appliance.

- When not in use, the appliance should be stored in a dry place. Children should not have access to stored appliances.

Inspection and repairs

- Before use, check the appliance for damaged or defective parts. Check for breakage of parts, damage to switches and any other conditions that may affect its operation.
- Do not use the appliance if any part is damaged or defective.
- Have any damaged or defective parts repaired or replaced by an authorised repair agent.
- Before use, check the power supply cord for signs of damage, ageing and wear.
- Do not use the appliance if the power supply cord or mains plug is damaged or defective.
- If the power supply cord or mains plug is damaged or defective it must be repaired by an authorised repair agent in order to avoid a hazard. Do not cut the power supply cord and do not attempt to repair it yourself.
- Never attempt to remove or replace any parts other than those specified in this manual.
- Do not attempt to repair the appliance. Take it to your nearest Black & Decker-owned or authorised Service Centre for repair.

Electrical safety

- This product must be earthed. Always check that the power supply corresponds to the voltage on the rating plate.
- Power plugs must match the outlet. Never modify the plug in any way. Do not use any

adapter plugs with earthed (Class 1) appliances. Unmodified plugs and matching outlets will reduce the risk of electric shock.

Extension cables & Class 1 product

- A 3-core cable must be used as your appliance is earthed and of Class 1 construction.
- Up to 30m (100ft) can be used without loss of power.
- If the supply cord is damaged, it must be replaced by the manufacturer or an authorized Black & Decker Service Center in order to avoid a hazard.

Mains plug replacement

If a new mains plug needs to be fitted:

- Safely dispose of the old plug
- Connect the brown lead to the live terminal of the new plug
- Connect the blue lead to the neutral terminal
- If the product is class I (earthed), connect the green/yellow lead to the earth terminal.

Note: If your product is class II double insulated (only 2 wires in the cord set), no connection is to be made to the earth terminal.

Follow the fitting instructions supplied with good quality plugs

Any replacement fuse must be of the same rating as the original fuse supplied with the product.

Warning! The above section on mains plug replacement is for authorized service centre personals.

Additional safety instructions for deep fryers

- Do not immerse the appliance, cord set or plug in liquids
- Never add water or ice to oil
- Do not use solid fats
- Extra care is required when cooking frozen food
- Only use good quality cooking oil in this fryer
- Always close the lid before lowering the basket into the hot oil
- Care should be taken when opening the fryer as hot steam may escape on opening.
- Hot steam may escape from the filter cover vents during use
- Take care when opening the Fryer lid as hot steam may escape
- Do not touch hot surfaces such as the bowl, lid and main body during use or the cool-down period. Always use the handles or knobs provided.
- Allow Fryer & oil to cool before carrying or emptying.
- Surfaces may be hot during use and during the cool down period.
- Always leave sufficient space around the fryer for ventilation.

Assembly

This appliance is supplied fully assembled & only requires parts to be cleaned & oil adding to the cooking bowl before use.

Lid

- To open the lid (1), press the lid release button (2).
- Once open, the lid can be removed by releasing the clips and then lifting it vertically from the appliance.
- To re-fit the lid, insert the 2 posts into the slot in the appliance. Close the lid, ensuring it locks in place.

Basket

- Raise the basket handle (7) until it locks in the horizontal position.
- Press the lid release button (2) & allow the lid (1) to open.
- Lift the basket (10) from the Fryer.
- To re-fit the basket, insert the rib on the basket into the slot in the appliance and lower into position.
- Close the lid, & press the handle release button (8). Slowly lower the handle to the vertical position.

Cooking bowl

- Press the lid release button (2) & allow the lid (1) to open.
- Lift the basket (10) from the Fryer.
- Grip the bowl (9) at either side & lift it from the cavity.
- To re-fit, place it back in the cavity, ensuring the mark on the bowl is matching with mark on the unit and it is correctly seated. Re-fit the basket, lower it & close the lid.

Use

Adding oil

- Raise the basket handle (7) until it locks in the horizontal position.
- Press the lid release button (2) & allow the lid to open.
- Lift the basket (10) from the Fryer.
- Remove the cooking bowl (9).
- Check the element for signs of damage or debris to prolong the life of the appliance & improve efficiency.

Note: The bowl should only be removed while the product is cool.

- Place the cooking bowl back in the appliance making sure it is seated correctly.

Note: If the cooking bowl is not seated correctly the fryer will not function.

- Pour good quality cooking oil into the cooking bowl. Always make sure the oil level is between the maximum & minimum marks on the cooking bowl. (Approx 1.65 liters)

Note: Cook only in the bowl supplied.

- Fit the basket into the appliance. Close the lid & press handle release button to lower the handle to the vertical position.

Cooking

- Connect the appliance to a suitable electrical supply.
- Rotate the temperature control (3) to the required setting, the temperature indicator lamp (4) will light up to indicate the appliance is on and the oil is being heated.

- The temperature indicator lamp (4) will go out the oil is at the selected temperature.
- Preheating the empty basket in this way will help prevent food sticking to it.
- Raise the handle (7) to the carrying position.
- Press the lid release button (2) & allow the lid to open.
- Remove the basket & close the lid. Place the basket on a worktop, using clean cloth or paper towels to prevent marking the work surface.
- Place the prepared ingredients in the basket (10), then open the Fryer lid & fit the basket to the appliance, slowly lowering into the oil.

Note: Excess moisture should be removed from ingredients with a clean cloth or paper towels before frying.

Note: Do not over fill the basket.

- Carefully close the lid, making sure it latches in position.
- While holding the handle, press the handle button (8). Slowly lower the handle to the vertical position.

Note: The temperature indicator lamp (4) will cycle on and off during cooking. Keep lid (1) closed during cooking.

- Set the timer by pressing the timer set button (6) until the required number of minutes is reached. (The timer increases in increments of 1 minute up to a maximum of 30 minutes) When the timer has finished a series of beeps will be heard, The beeping will be repeated after 1 minute and can be cancelled by pressing the timer set button (6).

- Use the Frying Guide as a guide to determine food quantities, temperature settings and cooking times.
- The cooking progress can be checked by looking through the viewing window (11).

Note: Hot steam may escape from the filter vents and lid during cooking.

- When cooking is completed, rotate the temperature dial (3) to the off position, the on/off indicator lamp (4) will go out. Disconnect the appliance from the electrical supply.
- Raise the basket handle (10) until it locks in the horizontal position. Press the lid release button (2) to open the Fryer & remove the basket, shaking it so any excess oil falls back into the cooking bowl.

Note: The basket can be positioned onto the side of the cooking bowl to drain excess oil from the food.

Frying guide

This frying time given in this chart is only a guide and should be adjusted according to the quantity fried.

| Food | Oil Temp (°C) | Max. Weight (Grams) | Approx. Frying Time (Minutes) |
|-----------------------|---------------|---------------------|-------------------------------|
| Shrimp | 130 | 250 | 3 – 5 |
| Onion Rings | 140 | 150 | 3 – 4 |
| Mushrooms | 140 | 300 | 6 – 8 |
| Fish Fillet | 150 | 250 | 5 – 6 |
| Fish Fillet in Batter | 150 | 400 | 6 – 8 |
| Fish Cakes or Balls | 150 | 400 | 7 – 10 |
| Sliced Meat | 170 | 400 | 7 – 10 |
| Steak | 170 | 400 | 7 – 10 |
| Chicken Strips | 180 | 400 | 6 – 10 |
| French Fries | 190 | 500 | 9 – 12 |

Practical advice

Oils and fats

- Always use oil that can withstand high temperature.
- Do not mix different types of oil or fat.
- Change the oil or fat when it becomes brown after cooking.

Preparing the food

- Whatever the recipe used, the food must be perfectly dry: this will avoid overflowing and make the oil or fat last longer.
- When preparing potato-based food (chips, crisps, etc.), cut them up and then wash them in cold water to remove the starch. Dry them carefully. This will stop them sticking together.

Cooking

- Do not overfill the basket. This will cause the oil temperature dropping and make the food greasy.
- Do not keep the oil at high temperature for long periods. This will deteriorate the oil.
- Set the temperature controller to the lowest temperature while waiting between two batches.
- Do not leave the cooked food in the basket in the draining position too long. The vapors could cause the food to lose its crispness and go soft.
- Frozen food can be cooked in the basket without being defrosted.

After cooking

- Change the fat or oil regularly, after approximately 10 batches.

Maintenance

Your Black & Decker tool has been designed to operate over a long period of time with a minimum of maintenance. Continuous satisfactory operation depends upon proper care and regular cleaning.

Warning! Before performing any maintenance or cleaning of the Fryer, disconnect the appliance from the power supply.

Emptying the Fryer

When the Fryer is cool, pour the old oil from the cooking bowl (9) into a suitable container. Always follow local regulations concerning the disposal of used cooking oil.

Replacing the Filter

The filter is fitted to reduce frying odours and should always be in place when using the Fryer.

Over time, the filters will become less effective & will need to be replaced.

To replace the filters, remove the filter cover (12) from the lid. The filter material can now be removed. Fit the new filter material, making sure the white filter is down, and the wire mesh is on top.

B&D recommend replacing the filter after every 50 - 60 uses.

Cleaning

The main housing should be cleaned with a clean damp cloth only.

Lid & Basket:

Remove the lid & basket from the appliance. Remove the filter from the lid. Wash the lid &

basket in warm soapy water. Rinse with clean water and dry thoroughly with a dry soft cloth.

Cleaning the bowl

Unplug the Fryer & allow the oil to cool to room temperature. Remove the lid (1), basket (10) and the cooking bowl (9) from the unit. Pour out the cool oil and filter it in to a suitable container using a sieve to filter out food particles from the oil.

Wipe the oil off with an absorbing paper. Wash the lid & basket in warm soapy water. Rinse with clean water and dry thoroughly with a dry soft cloth.

Note: Do not use abrasives or chemical cleaners on any part of this appliance.

Do not allow the filters to get wet.

Do not wash any part of this appliance in a dishwasher.

Always follow local regulations concerning the disposal of used cooking oil. Ventilation slot should be cleaned occasionally with a clean, dry paint brush.

Technical data

| | EF2750 |
|----------------|-----------------|
| Voltage | 220 – 240 Volts |
| Supply | 50/60 Hz |
| Power input | 1800 W |
| Cable length | 0.77 m |
| Container size | 2.5 litre |
| Weight | 2.8 kg |

Protecting the environment



Separate collection. This product must not be disposed of with normal household waste.

Should you find one day that your Black & Decker product needs replacement, or if it is of no further use to you, do not dispose of it with other household waste. Make this product available for separate collection.

- Black & Decker provides a facility for recycling Black & Decker products once they have reached the end of their working life. This service is provided free of charge. To take advantage of this service please return your product to any authorised repair agent who will collect them on our behalf.
- You can check the location of your nearest authorised repair agent by contacting your local Black & Decker office at the address indicated in this manual. Alternatively, a list of authorized Black & Decker repair agents and full details of our after-sales service and contact are available on the Internet at: www.2helpU.com.

Warranty

Black & Decker is confident of the quality of its products and offers an outstanding warranty.

This warranty statement is in addition to and in no way prejudices your statutory rights.

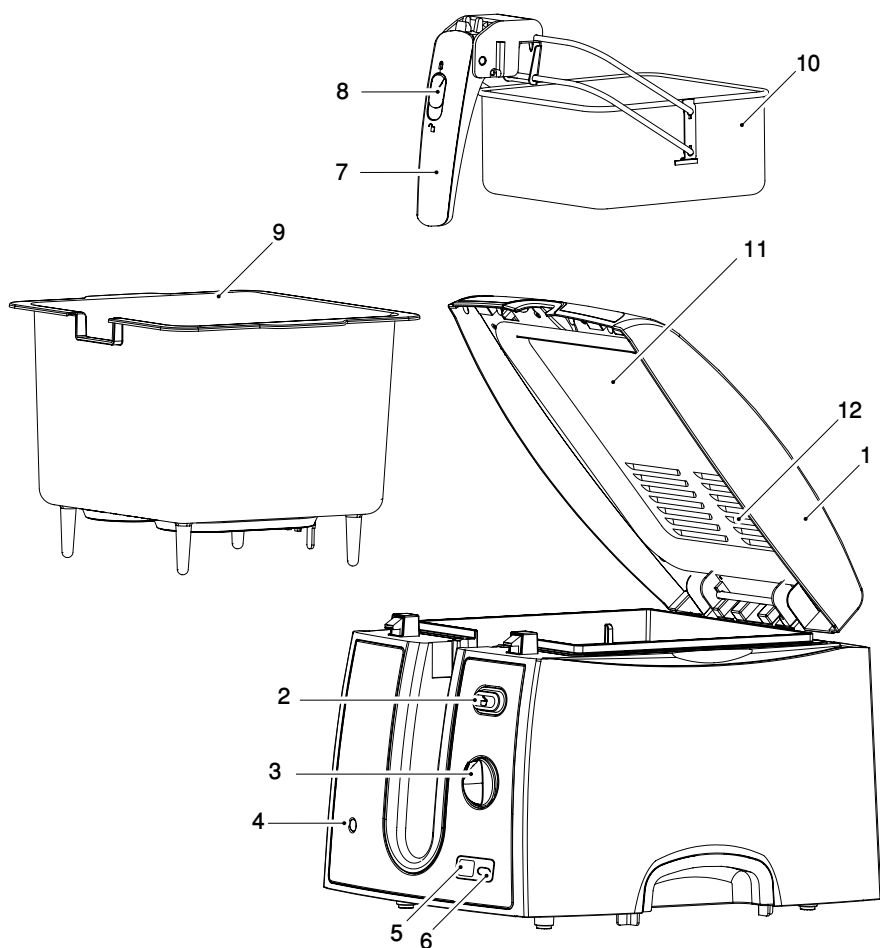
The warranty is valid within the territories of the Member States of the European Union and the European Free Trade Area.

If a Black & Decker product becomes defective due to faulty materials, workmanship or lack of conformity, within 24 months from the date of purchase, Black & Decker warranty to replace defective parts, repair products subjected to fair wear and tear or replace such products to ensure minimum inconvenience to the customer unless:

- The product has been used for trade, professional or hire purposes;
- The product has been subjected to misuse or neglect;
- The product has sustained damage through foreign objects, substances or accidents;
- Repairs have been attempted by persons other than authorised repair agents or Black & Decker service staff.

To claim on the warranty, you will need to submit proof of purchase to the seller or an authorised repair agent. You can check the location of your nearest authorised repair agent by contacting your local Black & Decker office at the address indicated in this manual.

Alternatively, a list of authorised Black & Decker repair agents and full details of our after-sales service and contacts are available on the Internet at: www.2helpU.com.



Identification des pièces

- | | |
|--|---|
| 1. Couvercle | 7. Poignée du panier |
| 2. Bouton de déverrouillage du couvercle | 8. Bouton de déverrouillage de la poignée |
| 3. Marche/Arrêt – Cadran du thermostat | 9. Cuve de cuisson |
| 4. Témoin lumineux de température | 10. Panier |
| 5. Minuteur | 11. Hublot de contrôle |
| 6. Bouton de réglage de la minuterie | 12. Couvercle du filtre |

Utilisation prévue

Votre friteuse Black & Decker a été conçue pour cuire des aliments dont la liste figure sur le Guide de cuisson dans ce manuel. Cet appareil est uniquement destiné à un usage domestique à l'intérieur.



Lisez ce manuel attentivement avant d'utiliser l'appareil.

Consignes de sécurité

Avertissement! Lorsqu'on utilise un appareil électrique, il faut toujours respecter certaines règles de sécurité fondamentales, notamment les suivantes, afin de prévenir les risques d'incendie, de décharges électriques, de blessures corporelles et de dommages matériels.

- Ce manuel décrit la manière d'utiliser cet appareil. L'utilisation d'un accessoire ou d'une fixation, ou l'utilisation de cet appareil à d'autres fins que celles recommandées dans ce manuel d'instruction peut présenter un risque de blessures corporelles.
- Conservez ce manuel pour un usage ultérieur.
- Toujours positionner le cordon d'alimentation avec soin afin d'éviter les risques de chute.
- Ne jamais faire fonctionner un appareil directement en-dessous de la prise sur laquelle il est branché.

Utilisation de votre appareil

- S'assurer que l'appareil est éteint avant de le brancher ou de le débrancher de l'alimentation secteur.
- Prendre toutes les précautions nécessaires pendant l'utilisation de l'appareil.
- Ne jamais tirer sur le cordon d'alimentation pour débrancher la fiche de la prise.
- Garder le cordon d'alimentation éloigné de toute source de chaleur, de zones

graisseuses ou de bords tranchants.

- Les surfaces de l'appareil peuvent être brûlantes pendant le fonctionnement et pendant le temps de refroidissement.
- Ne pas faire fonctionner l'appareil et ne pas le placer sur ou à proximité de surfaces chaudes, tel un brûleur à gaz ou électrique, ou un four chauffant.
- Lorsque vous utilisez une rallonge avec votre appareil, assurez-vous que la rallonge soit bien branchée et adaptée à cet usage.

Sécurité d'autrui

- Ne pas laisser pendre le cordon d'alimentation sur le rebord d'un plan de travail.
- Cet appareil ne doit pas être utilisé par des personnes (y compris les enfants) ayant des déficiences physiques, sensorielles ou mentales. Cette consigne s'applique aussi aux personnes manquant d'expérience ou de connaissances du matériel, à moins que celles-ci n'aient reçu les instructions appropriées ou ne soient encadrées par une personne responsable de leur sécurité pour utiliser l'appareil.
- Ne jamais laisser les enfants ni les personnes non familiarisées avec ces instructions utiliser l'appareil.
- Ne pas laisser les enfants ni les animaux s'approcher de la zone de travail, ni toucher l'appareil ou le cordon d'alimentation. Rester vigilant lorsque l'appareil fonctionne à proximité d'enfants.
- Ne jamais laisser l'appareil sans surveillance pendant son fonctionnement.

Après utilisation

- Eteindre et retirer la fiche de la prise avant de laisser l'appareil sans surveillance et avant de changer, nettoyer ou inspecter les éléments de l'appareil.

- Lorsque l'appareil n'est pas utilisé, rangez-le dans un endroit sec. Les enfants ne doivent pas avoir accès aux appareils rangés.

Inspection et réparations

- Avant l'utilisation, vérifier l'état de l'appareil et des pièces. Vérifier la présence de pièces cassées, interrupteurs endommagés ou toute autre anomalie susceptibles de nuire au bon fonctionnement de l'appareil.
- Ne pas utiliser l'appareil si un élément est endommagé ou défectueux.
- Faire réparer ou remplacer toute pièce endommagée ou défectueuse par un réparateur agréé.
- Avant l'utilisation, vérifier l'état du cordon d'alimentation pour des signes de dommages, de vieillissement ou d'usure.
- Ne pas utiliser l'appareil si le cordon d'alimentation ou la fiche secteur sont endommagés ou défectueux.
- Si le cordon d'alimentation ou la fiche secteur sont endommagés ou défectueux, ils doivent être réparés par un réparateur agréé pour éviter les risques d'accident. Ne pas couper le cordon d'alimentation et ne pas essayer de le réparer soi-même.
- Ne jamais tenter d'enlever ou de remplacer des pièces autres que celles citées dans ce manuel.
- Ne pas tenter de réparer l'appareil. Porter l'appareil en réparation au Service après-vente Black & Decker le plus proche ou un réparateur agréé.

Sécurité électrique

- Cet appareil doit être mis à la terre. Toujours vérifier que la tension électrique correspond à celle indiquée sur la plaque signalétique.

- Les fiches électriques doivent correspondre aux prises de courant. Ne jamais modifier la fiche en aucune façon. Ne pas utiliser d'adaptateur avec des appareils mis à la terre (Classe 1). L'utilisation de fiches inchangées avec des prises correspondantes réduit le risque de chocs électriques.

Rallonges et appareils de classe 1

- Utiliser un cordon à 3 fils car votre appareil est mis à la terre et de fabrication classe 1.
- Une longueur allant jusqu'à 30m (100pieds) peut être utilisée sans perte de puissance.
- Si le cordon d'alimentation est endommagé, il doit être remplacé par le fabricant ou un Centre de Service agréé Black & Decker afin d'éviter tout danger.

Remplacement de la fiche électrique

En cas d'installation d'une nouvelle fiche:

- Jetez l'ancienne fiche avec prudence
- Connectez le fil marron sur la borne sous tension de la nouvelle fiche
- Connectez le fil bleu sur la borne neutre
- Si l'appareil est de classe I (mis à la terre), connectez le fil vert/jaune sur la borne terre.

Remarque: Si votre appareil est de classe II double isolation (seulement 2 fils dans le cordon), aucune connexion n'est à faire sur la borne terre. Suivez les instructions de montage fournies avec les fiches de bonne qualité. Tout fusible remplacé doit être du même calibre que le fusible d'origine fourni avec l'appareil.

Avertissement! La section ci-dessus sur le remplacement de la fiche concerne le personnel des centres de service agréés.

Instructions de sécurité supplémentaires pour les friteuses

- Ne pas plonger l'appareil, le cordon ou la prise dans un liquide
- Ne jamais ajouter de l'eau ou de la glace dans l'huile
- Ne pas utiliser de matières grasses solides
- Faire très attention lors de la cuisson d'aliments surgelés
- Utiliser uniquement une huile de bonne qualité dans cette friteuse
- Toujours fermer le couvercle avant d'abaisser le panier dans l'huile chaude
- Faire attention lors de l'ouverture de la friteuse car de la vapeur brûlante peut sortir.
- De la vapeur brûlante peut sortir par les orifices du couvercle du filtre pendant le fonctionnement de la friteuse.
- Faire attention lors de l'ouverture du couvercle de la friteuse, de la vapeur brûlante peut sortir.
- Ne pas toucher les surfaces chaudes, comme la cuve, le couvercle et le corps principal de la friteuse pendant le fonctionnement ou la période de refroidissement. Toujours utiliser les poignées ou les boutons prévus à cet effet.
- Laisser refroidir la friteuse et l'huile avant de la transporter ou de la vider.
- Les surfaces peuvent être brûlantes pendant le fonctionnement et pendant la période de refroidissement de la friteuse.
- Toujours laisser un espace suffisant autour de la friteuse pour la ventilation.

Assemblage

Cet appareil est livré entièrement monté et il est seulement nécessaire de nettoyer les éléments

et d'ajouter de l'huile dans la cuve avant son utilisation.

Couvercle

- Pour ouvrir le couvercle (1), appuyez sur le bouton de déverrouillage du couvercle (2).
- Une fois ouvert, le couvercle peut être retiré en débloquant les pinces puis tiré vers le haut
- Pour remettre le couvercle, insérer les 2 pattes dans la fente de l'appareil. Fermer le couvercle et s'assurer qu'il se verrouille en place.

Panier

- Relever la poignée du panier (7) jusqu'à ce qu'elle se verrouille en position horizontale.
- Appuyer sur le bouton de déverrouillage du couvercle (2) et laisser le couvercle (1) s'ouvrir.
- Soulever le panier (10) hors de la friteuse.
- Pour remettre le panier, insérer la nervure du panier dans la fente de l'appareil et l'abaisser pour le mettre en place.
- Fermer le couvercle et appuyer sur le bouton de déverrouillage de la poignée (8). Abaisser lentement la poignée en position verticale.

Cuve de cuisson

- Appuyer sur le bouton de déverrouillage du couvercle (2) et laisser le couvercle (1) s'ouvrir.
- Soulever le panier (10) hors de la friteuse.
- Tenir la cuve (9) de chaque côté et la soulever hors de la cavité.
- Pour la réinstaller, l'insérer dans la cavité, en veillant à ce que le repère sur la cuve coïncide avec le repère sur l'appareil et qu'elle soit correctement positionnée. Remettre le panier, l'abaisser et fermer le couvercle.

Utilisation

Ajouter de l'huile

- Relever la poignée du panier (7) jusqu'à ce qu'elle se verrouille en position horizontale.
- Appuyer sur le bouton de déverrouillage du couvercle (2) et laisser le couvercle (1) s'ouvrir.
- Soulever le panier (10) hors de la friteuse.
- Retirer la cuve de cuisson (9).
- Vérifier l'élément pour des signes de dommage ou de casse afin de prolonger le temps de vie de l'appareil et améliorer son efficacité.

Remarque: La cuve ne doit être retirée que lorsque l'appareil est froid.

- Replacer la cuve de cuisson dans l'appareil en s'assurant qu'elle est correctement positionnée.

Remarque: Si la cuve de cuisson n'est pas correctement placée, la friteuse ne fonctionnera pas.

- Verser une huile de bonne qualité dans la cuve de cuisson. S'assurer que le niveau d'huile se situe entre les repères maximum et minimum de la cuve de cuisson. (Environ 1,65 litre)

Remarque: Frire uniquement dans la cuve fournie.

- Mettre le panier dans l'appareil. Fermer le couvercle et appuyer sur le bouton de déverrouillage de la poignée en position verticale.

Cuisson

- Brancher l'appareil à une prise électrique adaptée.
- Tourner le cadran du thermostat (3) sur la température souhaitée, le témoin lumineux de température (4) s'allume pour indiquer que l'appareil est en fonctionnement et que l'huile est en phase de chauffage.

- Le témoin lumineux de température (4) s'éteint lorsque l'huile a atteint la température souhaitée.
- Le fait de préchauffer ainsi le panier vide permet d'éviter aux aliments de coller au panier.
- Soulever la poignée (7) en position de transport.
- Appuyer sur le bouton de déverrouillage du couvercle (2) et le laisser s'ouvrir.
- Retirer le panier et fermer le couvercle. Poser le panier sur le plan de travail, utiliser un torchon propre ou du papier absorbant pour éviter de faire des marques sur le plan de travail.
- Placer les aliments préparés dans le panier (10), puis ouvrir le couvercle de la friteuse et insérer le panier dans l'appareil en l'abaissant lentement dans l'huile.

Remarque: Essuyer les aliments avec un torchon propre ou du papier absorbant pour enlever l'excès d'humidité avant de les frire.

Remarque: Ne pas surcharger le panier.

- Fermer soigneusement le couvercle, en veillant à le verrouiller en place.
- Tout en maintenant la poignée, appuyer sur le bouton de déverrouillage de la poignée (8). Abaisser lentement la poignée en position verticale.

Remarque: Le témoin lumineux de température (4) s'allumera et s'éteindra pendant la cuisson. Garder le couvercle (1) fermé pendant la cuisson.

- Régler la minuterie en appuyant sur le bouton de réglage de la minuterie (6) jusqu'à atteindre le nombre de minutes souhaité (la minuterie augmente le temps par intervalles de 1 minute jusqu'à 30 minutes). Lorsque le temps est écoulé la minuterie émettra une série de bips, Le bip se répète après 1 minute et peut être annulé en appuyant sur le bouton de réglage de la minuterie (6).

- Utiliser le Guide de cuisson à titre d'indication pour déterminer la quantité des aliments, les températures et les temps de cuisson.
- La progression de la cuisson peut être suivie en regardant par le hublot de contrôle (11).

Remarque: De la vapeur brûlante peut s'échapper par les orifices du filtre et du couvercle pendant la cuisson.

- Lorsque la cuisson est terminée, tourner le cadran du thermostat (3) sur la position arrêt, le témoin lumineux de température (4) s'éteindra. Débrancher l'appareil de l'alimentation secteur.
- Soulever la poignée du panier (10) jusqu'à son verrouillage en position horizontale. Appuyer sur le bouton de déverrouillage du couvercle (2) pour ouvrir la friteuse et enlever le panier en le secouant pour faire tomber l'excès d'huile dans la cuve de cuisson.

Remarque: Le panier peut être accroché sur le côté de la cuve de cuisson pour laisser l'excès d'huile s'égoutter des aliments.

Guide de cuisson

Les temps de cuisson donnés dans ce tableau sont approximatifs et doivent être adaptés en fonction de la quantité des aliments à frire.

| Aliment | Température de l'huile (°C) | Poids maximum (grammes) | Temps de cuisson moyen (Minutes) |
|----------------------------------|-----------------------------|-------------------------|----------------------------------|
| Crevettes | 130 | 250 | 3 – 5 |
| Rondelles d'oignon | 140 | 150 | 3 – 4 |
| Champignons | 140 | 300 | 6 – 8 |
| Filets de poisson | 150 | 250 | 5 – 6 |
| Filets de poisson panés | 150 | 400 | 6 – 8 |
| Beignets ou boulettes de poisson | 150 | 400 | 7 – 10 |
| Viande en tranches | 170 | 400 | 7 – 10 |
| Steak | 170 | 400 | 7 – 10 |
| Lanières de poulet | 180 | 400 | 6 – 10 |
| Frites | 190 | 500 | 9 – 12 |

Conseils pratiques

Huiles et graisses

- Toujours utiliser une huile pouvant résister à des températures élevées.
- Ne pas mélanger différents types d'huile ou de graisse.
- Changer l'huile ou la graisse lorsqu'elle devient brune après la cuisson.

Préparation des aliments

- Quelle que soit la recette utilisée, les aliments doivent être parfaitement séchés: cela évite les projections d'huile et permet à l'huile ou à la graisse de durer plus longtemps.
- Pour les préparations à base de pomme de terre (frites, chips, etc.), laver les pommes de terre à l'eau froide après les avoir coupées pour éliminer l'amidon. Séchez-les soigneusement. Cela permet d'empêcher qu'elles collent entre elles.

Cuisson

- Ne pas surcharger le panier. Cela entraînerait une baisse soudaine de la température de l'huile et donc une friture top grasse.
- Ne pas garder l'huile à haute température pendant de longues périodes. Cela détériorerait l'huile.
- Régler le thermostat sur la plus basse température entre deux cuissons.
- Ne pas laisser égoutter les aliments cuits trop longtemps dans le panier. Les aliments perdraient leur croustillant et se ramolliraient à cause des vapeurs.
- Les aliments surgelés peuvent être cuits dans le panier sans décongélation préalable.

Après la cuisson

- Changer la graisse ou l'huile régulièrement, après 10 utilisations environ.

Entretien

Votre appareil Black & Decker a été conçu pour fonctionner pendant longtemps avec un minimum d'entretien. Un fonctionnement satisfaisant dans la durée dépend du soin apporté et d'un nettoyage régulier.

Avertissement! Avant d'effectuer toute opération d'entretien ou de nettoyage, débrancher la friteuse de l'alimentation secteur.

Vider la friteuse

Lorsque la friteuse est froide, vider l'huile usagée de la cuve de cuisson (9) dans un récipient adapté. Toujours suivre la réglementation locale en matière d'élimination des huiles de cuisson usagées.

Remplacer le filtre

Le filtre est conçu pour réduire les odeurs de friture et doit toujours être installé dans la friteuse avant toute utilisation.

Avec le temps, les filtres perdent de leur efficacité et doivent être remplacés.

Pour remplacer les filtres, retirer le couvercle du filtre (12) du couvercle. Le filtre peut alors être enlevé. Mettre un nouveau filtre, en veillant à placer le côté blanc du filtre en dessous et le treillis métallique dessus. B&D recommande de remplacer le filtre après 50 à 60 utilisations.

Nettoyage

Nettoyer le corps principal de l'appareil uniquement avec un chiffon humide.

Couvercle et panier:

Enlever le couvercle et le panier de l'appareil. Enlever le filtre du couvercle. Laver le couvercle et le panier à l'eau chaude savonneuse. Rincer

à l'eau claire et sécher soigneusement avec un chiffon doux.

Nettoyage de la cuve

Débrancher la friteuse et laisser l'huile refroidir à température ambiante. Enlever le couvercle (1), le panier (10) et la cuve de cuisson (9) de l'appareil. Vider l'huile froide et la filtrer dans un récipient approprié en utilisant un tamis pour filtrer les particules alimentaires présentes dans l'huile.

Essuyer les dépôts huileux avec du papier absorbant. Laver le couvercle dans de l'eau chaude savonneuse. Rincer à l'eau claire et sécher soigneusement avec un chiffon doux.

Remarque: Ne pas utiliser de produits abrasifs ou de nettoyeurs chimiques sur aucune partie de l'appareil.

Ne pas laisser les filtres se mouiller.

Ne laver aucune partie de l'appareil dans un lave-vaisselle.

Toujours suivre la réglementation locale concernant l'élimination d'huiles de cuisson usagées. Les orifices de ventilation doivent être nettoyés de temps en temps avec un pinceau propre et sec.

Données techniques

| | EF2750 |
|------------------------|-----------------|
| Tension | 220 – 240 Volts |
| Courant d'alimentation | 50/60 Hz |
| Puissance nominale | 1800 W |
| Longueur du cordon | 0,77 m |
| Capacité de la cuve | 2,5 litres |
| Poids | 2,8 kg |

Protection de l'environnement



Collecte séparée. Ce produit ne doit pas être jeté avec les déchets domestiques normaux.

Si vous décidez de remplacer ce produit Black & Decker, ou si vous n'en avez plus l'utilité, ne le jetez pas avec vos déchets domestiques. Rendez-le disponible pour une collecte séparée.

- Black & Decker fournit un dispositif permettant de collecter et de recycler les produits Black & Decker lorsqu'ils ont atteint la fin de leur cycle de vie. Pour pouvoir profiter de ce service, veuillez retourner votre produit à un réparateur agréé qui se chargera de le collecter pour nous.
- Pour connaître l'adresse du réparateur agréé le plus proche de chez vous, contactez le bureau Black & Decker à l'adresse indiquée dans ce manuel. Vous pourrez aussi trouver une liste des réparateurs agréés de Black & Decker et de plus amples détails sur notre service après-vente sur le site Internet à l'adresse suivante : www.2helpU.com

Garantie

Black & Decker est confiant dans la qualité de ses produits et vous offre une garantie très étendue.

Ce certificat de garantie est un document supplémentaire et ne peut en aucun cas se substituer à vos droits légaux.

La garantie est valable sur tout le territoire des États Membres de l'Union Européenne et de la Zone de Libre Echange Européenne.

Si un produit Black & Decker s'avère défectueux en raison de matériaux en mauvaises conditions, d'une erreur humaine, ou d'un manque de conformité dans les 24 mois suivant la date d'achat, Black & Decker garantit le remplacement des pièces défectueuses, la réparation des produits usés ou cassés ou remplace ces produits à la convenance du client, sauf dans les circonstances suivantes :

- Le produit a été utilisé dans un but commercial, professionnel, ou a été loué.
- Le produit a été mal utilisé ou avec négligence.
- Le produit a subi des dommages à cause d'objets étrangers, de substances ou à cause d'accidents.
- Des réparations ont été tentées par des techniciens ne faisant pas partie du service technique de Black & Decker.

Pour avoir recours à la garantie, il est nécessaire de fournir une preuve d'achat au vendeur ou à un réparateur agréé. Pour connaître l'adresse du réparateur agréé le plus proche de chez vous, contactez le bureau Black & Decker à l'adresse indiquée dans ce manuel.

Vous pourrez aussi trouver une liste des réparateurs agréés de Black & Decker et de plus amples détails sur notre service après-vente sur le site Internet à l'adresse suivante : www.2helpU.com

الضمان

تثق بلاك أند ديكر في جودة منتجاتها وتعرض ضماناً طويلاً الأجل.

بيان الضمان هذا يكون بالإضافة إلى حقوقك التي يمنحها القانون ولا يخل بها بأي حال من الأحوال.

يسري الضمان في أقاليم الدول الأعضاء في الاتحاد الأوروبي ومنطقة التجارة الحرة الأوروبية.

في حالة وجود خلل في منتج بلاك أند ديكر بسبب عيب في المواد أو الصناعة أو عدم التوافق مع المعايير، خلال 24 شهراً من تاريخ الشراء، تضمن بلاك أند ديكر استبدال الأجزاء المعيبة وإصلاح المنتجات مع مراعاة التآكل والبلى الطبيعي أو استبدال هذه المنتجات لضمان أقل إزعاج للعميل ما لم:

◀ يتم استخدام المنتج في أغراض تجارية أو مهنية أو أغراض تأجير؛

◀ يتعرض المنتج لسوء الاستخدام أو الإهمال؛

◀ يتعرض المنتج للتلف نتيجة أشياء أو مواد غريبة أو حوادث؛

◀ يتم محاولة إصلاح المنتج بواسطة أشخاص غير وكلاء الصيانة المعتمدين أو فريق الصيانة التابع لشركة بلاك أند ديكر.

لتقديم مطالبة بموجب الضمان، سوف تحتاج إلى تقديم دليل الشراء للبائع أو وكيل الصيانة المعتمد. ويمكنك التعرف على موقع أقرب وكيل صيانة معتمد من خلال الاتصال على مكتب بلاك أند ديكر المحلي في العنوان الموضح في هذا الدليل.

وبدلاً من ذلك، توجد قائمة بوكلاء الصيانة المعتمدين التابعين لشركة بلاك أند ديكر والتفاصيل الكاملة لخدمات ما بعد البيع ووسائل الاتصال الخاصة بنا على الإنترنت على الموقع الإلكتروني: www.2helpU.com.

حماية البيئة

الجمع المنفصل. يلزم عدم التخلص من هذا المنتج مع القمامة المنزلية العادية.



إذا لزم في يوم من الأيام استبدال منتج بلاك أند ديكر الخاص بك، أو إذا لم تعد تستخدمه، فلا تتخلص منه مع القمامة المنزلية الأخرى، بل تأكد من إتاحة هذا المنتج للجمع المنفصل.

- توفر شركة بلاك أند ديكر مرفق لإعادة تدوير منتجات بلاك أند ديكر بمجرد وصولها إلى نهاية عمرها وعدم صلاحيتها للعمل. ويتم تقديم هذه الخدمة مجاناً. للاستفادة من هذه الخدمة، يرجى إعادة المنتج إلى أي وكيل صيانة معتمد والذي سوف يتولى بدوره جمع المنتجات نيابة عنا.

- يمكنك التعرف على موقع أقرب وكيل صيانة معتمد من خلال الاتصال على مكتب بلاك أند ديكر المحلي في العنوان الموضح في هذا الدليل. وبدلاً من ذلك، توجد قائمة بوكلاء الصيانة المعتمدين التابعين لشركة بلاك أند ديكر والتفاصيل الكاملة لخدمات ما بعد البيع ووسائل الاتصال الخاصة بنا على الإنترنت على الموقع الإلكتروني: www.2helpU.com.

الصيانة

قطعة قماش ناعمة جافة.

تنظيف وعاء الطهي

افصل المقلاة عن مصدر الكهرباء واترك الزيت حتى يبرد لمستوى درجة حرارة الغرفة. أزل الغطاء (١) والسلة (١٠) ووعاء الطهي (٩) من الوحدة. قم بصب الزيت البارد في وعاء مناسب خلال مصفاة للتخلص من بقايا الطعام الموجودة به.

امسح أثر الزيت باستخدام ورق تنشيف. اغسل الغطاء والسلة في ماء دافئ كثير الرغوة، ثم قم بشطفهما بعد ذلك بماء نظيف وتجفيفهما جيداً باستخدام قطعة قماش ناعمة جافة.

ملاحظة: لا تستخدم المواد الكاشطة أو المنظفات الكيماوية مع أي جزء في هذا الجهاز.

لا تسمح بوصول الماء إلى الفلتر.

لا تغسل أي جزء من هذا الجهاز في غسالة الأطباق.

اتبع دائماً اللوائح المحلية الخاصة بالتخلص من زيت الطهي المستخدم. ينبغي تنظيف فتحات التهوية بانتظام باستخدام فرشاة جافة نظيفة.

البيانات الفنية

| | |
|------------|--------------|
| EF2750 | |
| الجهد | ٢٢٠-٢٤٠ فولت |
| التردد | ٦٠/٥٠ هرتز |
| الطاقة | ١٨٠٠ وات |
| طول السلك | ٠,٧٧ م |
| حجم الوعاء | ٢,٥ لتر |
| الوزن | ٢,٨ كجم |

تم تصميم أداة بلاك أند ديكر للتشغيل لفترة طويلة من الوقت وبأقل قدر من الصيانة. يتوقف عمل الجهاز بشكل مرضي باستمرار على الاستخدام الملائم والتنظيف الدوري.

تحذيراً! افصل الجهاز عن مصدر الكهرباء قبل تنظيفه أو إجراء أية صيانة له.

تفريغ المقلاة

عندما تبرد المقلاة، قم بسكب الزيت من وعاء الطهي (٩) في وعاء ملائم. اتبع دائماً اللوائح المحلية الخاصة بالتخلص من زيت الطهي المستخدم.

استبدال الفلتر

يتم تركيب هذا الفلتر لتقليل الروائح المنبعثة من القلي ويجب أن يكون في مكانه عند استخدام المقلاة.

وبمرور الوقت، تقل فعالية الفلتر ويتعين حينئذ استبداله. ولاستبدال الفلتر، قم بإزالة غطاء الفلتر (١٢) من الغطاء، وحينئذ يمكنك إزالة الفلتر. قم بتركيب الفلتر الجديد مع التأكد من أن الفلتر الأبيض ناحية الأسفل والشبكة السلكية ناحية الأعلى.

توصي بلاك أند ديكر بتغيير الفلتر بعد من ٥٠ إلى ٦٠ استخدام.

التنظيف

ينبغي تنظيف الوعاء الحاوي الرئيسي باستخدام قطعة قماش مبللة نظيفة.

الغطاء والسلة

قم بإزالة الغطاء والسلة من الوحدة. أزل الفلتر من الغطاء. اغسل الغطاء والسلة في ماء دافئ كثير الرغوة، ثم قم بشطفهما بعد ذلك بماء نظيف وتجفيفهما جيداً باستخدام

نصائح عملية

الزيت والسمن

- استخدم دائماً الزيوت التي يمكنها تحمل درجات الحرارة العالية.
- لا تمزج أنواعاً مختلفة من الزيت أو السمن.
- قم بتغيير الزيت أو السمن عند تحوله إلى اللون البني بعد الطهي.
- استخدم الزيت أو السمن.
- يجب أن يكون الطعام جافاً مهما كانت وصفة الطعام التي تستخدمها، وذلك لتجنب التدفق الزائد وإطالة مدة استخدام الزيت أو السمن.

إعداد الطعام

- عند إعداد الطعام الذي يحتوي بشكل أساسي على البطاطا (شرائح أو أصابع البطاطا... الخ)، قم بتقطيع البطاطا وغسلها أولاً بماء بارد لإزالة النشا منها. قم بتجفيفها بحرص. وبذلك تضمن عدم التصاقها ببعضها عند الطهي.

الطهي

- لا تملأ السلة فوق الحد المعقول حيث يتسبب ذلك في هبوط درجة حرارة الزيت وتشبع الطعام بالزيت.
- لا تترك درجة حرارة الزيت مرتفعة لمدة طويلة حيث يؤدي ذلك إلى خفض جودة الزيت.
- اضبط قرص التحكم في درجة الحرارة على أقل درجة حرارة أثناء فترة الانتظار بين كل مجموعة مكونات يتم إضافتها.
- لا تترك الطعام المعد في السلة بوضع التصفية لمدة طويلة. قد يؤدي البخار إلى أن يفقد الطعام هشاشته ويصبح طرياً.
- يمكن طهي الطعام المجمد مباشرة في السلة دون الحاجة لتذويبه.

بعد الطهي

- قم بتغيير الزيت أو السمن بصورة منتظمة بعد ما يقرب من عشر دفعات من الطعام.

- استخدم دليل القلي كمرشد لك لمعرفة كمية المكونات وضبط درجة الحرارة المناسبة وتحديد مدة القلي.
- يمكنك متابعة سير الطهي عن طريق النظر عبر نافذة المشاهدة (١١).
- ملاحظة: قد يتسرب بخار ساخن أثناء الطهي من فتحات الفلتر أو الغطاء.
- عند الانتهاء من الطهي، ادر قرص التحكم في درجة الحرارة (٣) إلى وضع إيقاف التشغيل (OFF).
- وسوف ينطفئ مصباح مؤشر التشغيل/الإيقاف (٤). افصل الجهاز عن مصدر الكهرباء.
- ارفع يد السلة (١٠) حتى يتم قفلها في وضع أفقي. اضغط زر تحرير الغطاء (٢) ليتم فتح المقلاة. أخرج السلة من المقلاة وقم بهزها ليتساقط منها الزيت الزائد إلى وعاء الطهي مرة أخرى.
- ملاحظة: يمكن وضع السلة على جانب وعاء الطهي لتصفية الطعام من الزيت الزائد.

دليل القلي

أوقات الطهي المذكورة في هذا الجدول تهدف فقط إلى الإرشاد ويلزم ضبطها وفق كمية الأطعمة المطلوب قليها.

| الطعام | درجة حرارة الزيت (م) | أقصى وزن (جرام) | وقت القلي التقريبي (دقائق) |
|-----------------------------------|----------------------|-----------------|----------------------------|
| روبيان | ١٣٠ | ٢٥٠ | ٣ إلى ٥ |
| حلقات بصل | ١٤٠ | ١٥٠ | ٣ إلى ٤ |
| فطر | ١٤٠ | ٣٠٠ | ٦ إلى ٨ |
| شرائح سمك | ١٥٠ | ٢٥٠ | ٥ إلى ٦ |
| شرائح سمك مع خلطة تنبيلة المقلبات | ١٥٠ | ٤٠٠ | ٦ إلى ٨ |
| قطع أو كرات السمك | ١٥٠ | ٤٠٠ | ٧ إلى ١٠ |
| شرائح لحم | ١٧٠ | ٤٠٠ | ٧ إلى ١٠ |
| ستيك | ١٧٠ | ٤٠٠ | ٧ إلى ١٠ |
| قطع دجاج | ١٨٠ | ٤٠٠ | ٦ إلى ١٠ |
| بطاطا مقلية | ١٩٠ | ٥٠٠ | ٩ إلى ١٢ |

الاستخدام

- درجة الحرارة المطلوبة.
- ارفع يد السلة (٧) حتى يتم قفلها في وضع أفقي.
- اضغط زر تحرير الغطاء (٢) واطرك الغطاء (١) ليفتح.
- أخرج السلة (١٠) من المقلاة.
- أخرج وعاء الطهي (٩).
- تحقق من عدم وجود أي علامات تلف أو كسر لإطالة عمر الجهاز وتعزيز كفاءته.
- ملاحظة: لا تقم بإزالة الوعاء إلا إذا كان المنتج بارداً.
- أعد وعاء الطهي مرة أخرى داخل الجهاز مع التأكد من وضعه بشكل سليم.
- ملاحظة: إذا لم يتخذ وعاء الطهي وضعه السليم لن تقوم المقلاة بوظيفتها.
- قم بصب زيت طهي عالي الجودة داخل وعاء الطهي. وتأكد دائماً من أن مستوى الزيت بين علامتي الحد الأعلى والحد الأدنى الموجودتين بالوعاء. (تقريباً ١,٦٥ لتر)
- ملاحظة: لا تستخدم إلا وعاء الطهي المرفق بالجهاز.
- قم بتركيب الوعاء داخل الجهاز. أغلق الغطاء واضغط على زر تحرير اليد لخفض اليد إلى المستوى الرأسي.
- اضببط المؤقت عن طريق الضغط على زر ضبط المؤقت (٦) وصولاً إلى عدد الدقائق المطلوبة. (يمكن زيادة عدد الدقائق من دقيقة واحدة وحتى ثلاثين دقيقة كحد أقصى) وعند انتهاء التوقيت المحدد، ستمتع مجموعة من الصفارات المتتالية، وسوف يتكرر هذا الصوت بعد دقيقة واحدة ويمكن إلغاؤه بالضغط على زر ضبط المؤقت (٦).
- ملاحظة: أثناء مدة الطهي، سوف يضيء مصباح مؤشر درجة الحرارة وينطفئ من حين لآخر. تأكد من إغلاق الغطاء جيداً أثناء الطهي.
- اضببط المؤقت عن طريق الضغط على زر ضبط المؤقت (٦) وصولاً إلى عدد الدقائق المطلوبة. (يمكن زيادة عدد الدقائق من دقيقة واحدة وحتى ثلاثين دقيقة كحد أقصى) وعند انتهاء التوقيت المحدد، ستمتع مجموعة من الصفارات المتتالية، وسوف يتكرر هذا الصوت بعد دقيقة واحدة ويمكن إلغاؤه بالضغط على زر ضبط المؤقت (٦).
- سوف ينطفئ المصباح بمجرد وصول الزيت إلى

الطهي

- قم بتوصيل الجهاز بمصدر كهرباء مناسب.
- قم بإدارة قرص التحكم في درجة الحرارة (٣) إلى درجة الحرارة المطلوبة. سوف يضيء مصباح مؤشر درجة الحرارة (٤) للإشارة إلى بدء تشغيل الجهاز وأن الزيت يجري تسخينه.
- سوف ينطفئ المصباح بمجرد وصول الزيت إلى

تنظيف بعض الاجزاء وإضافة الزيت لوعاء الطهي قبل الاستخدام.

الغطاء

- لفتح الغطاء (١)، اضغط زر تحرير الغطاء (٢).
- وبعد فتح الغطاء يمكن إزالته عن طريق فك المشابك ومن ثم حمله رأسياً خارج الجهاز.
- ولإعادة تركيب الغطاء، أدخل الدعامتين في المجرى الموجودة بالجهاز.

السلة

- ارفع يد السلة (٧) حتى يتم قفلها في وضع أفقي.
- اضغط زر تحرير الغطاء (٢) واترك الغطاء (١) لينفتح.
- أخرج السلة (١٠) من المقلاة.
- لإعادة تركيب السلة، أدخل الضلع الموجود بالسلة في المجرى الموجود بالجهاز واخفضه وصولاً إلى وضعه المناسب.
- أغلق الغطاء واضغط زر تحرر اليد (٨)، وقم بخفض اليد ببطء وصولاً إلى الوضع الرأسي.

وعاء الطهي

- اضغط زر تحرير الغطاء (٢) واترك الغطاء (١) لينفتح.
- أخرج السلة (١٠) من المقلاة.
- امسك الوعاء من أي جانب من جانبيه وأخرجه من الجهاز.
- ولإعادة تركيب الوعاء، أعد مرة أخرى إلى الجهاز مع التأكد من توافق العلامة الموجودة على الوعاء مع العلامة الموجودة على الوحدة والتأكد من وضع الوعاء بشكل صحيح. أعد تركيب السلة واخفضها ثم أغلق الغطاء.

تعليمات السلامة الإضافية للمقلاة

- لا توغمر الجهاز أو السلك أو القابس في السوائل.
- احذر من إضافة الماء أو الثلج على الزيت.
- لا تستخدم السمن الصلب.
- ينبغي توخي المزيد من الحذر عند طهي الأطعمة المجمدة.
- ينبغي مع هذه المقلاة الاقتصاد فقط على استخدام زيت طهي عالي الجودة.
- يجب غلق الغطاء جيداً قبل خفض السلة في الزيت الساخن.
- ينبغي توخي الحذر عند فتح المقلاة؛ حيث قد يتسرب منها بخار ساخن عند الفتح.
- قد يتسرب البخار الساخن من فتحات غطاء المصفاة أثناء الاستخدام.
- كن حريصاً عند فتح غطاء المقلاة حيث قد يتسرب منها بخار ساخن.
- لا تلمس الأسطح الساخنة، مثل الوعاء والغطاء والهيكल الرئيسي أثناء الاستخدام أو فترة التبريد. احرص دائماً على استخدام المقابض.
- اترك المقلاة والزيت حتى يبردان قبل الحمل أو التفريغ.
- يمكن أن تكون الأسطح ساخنة أثناء الاستخدام وأثناء فترة التبريد.
- اترك دائماً فراغاً كافياً حول المقلاة للتهوية.

التجميع

يصلك هذا الجهاز مجتمعاً بالكامل، كل ما عليك هو

يحظر كذلك استخدام أي مهايئ مع قوابس الأجهزة ذات الدائرة الكهربائية المؤرضة (من الدرجة الأولى). استخدام القوابس الأصلية غير المعدلة ومناسبتها لمنفذ الكهرباء يقلل من مخاطر التعرض لصدمة كهربائية.

كابلات التمديد ومنتج الدرجة الأولى

- يجب استخدام كابل بقلب A3 لأن الجهاز مؤرض ومن الدرجة الأولى.
- يمكن أن يصل طول الكابل إلى 30 متر (100 قدم) دون فقد للطاقة.
- في حالة تلف سلك توصيل الكهرباء، يجب استبداله من قبل جهة التصنيع أو أي مركز خدمة معتمد من بلاك أند ديكر لتجنب المخاطر.

استبدال قابس التيار الرئيس

- في حالة الحاجة إلى تركيب قابس جديد:
- تخلّص بشكل آمن من القابس القديم.
- قم بتوصيل السلك البني إلى الخط الموصل في القابس الجديد.
- قم بتوصيل السلك الأزرق إلى الخط الكهربائي المحايد.
- في حالة الصنف I قم بتوصيل الخط الأخضر/الأصفر إلى الخط الأرضي.
- ملاحظة: في حالة المنتجات من الصنف II بعزل مضاعف (سلكان كهربائيان فقط في الشريط)، لا داعي لإجراء توصيل إلى الخط الأرضي.

اتّبع إرشادات التركيب المرفقة مع المقابس ذات الجودة. يجب أن تكون أية فاصمة بديلة يتم استخدامها في القابس من نفس صنف الفاصمة الأصلية للمنتج.

تحذير! الجزء المتعلق باستبدال قابس التغذية الكهربائية موجه لموظفي مركز الخدمات المعتمد.

- ينبغي الاحتفاظ بالجهاز في مكان جاف بعيداً عن متناول الأطفال عند عدم الاستخدام.

المعاينة والتصليح

- تأكد قبل الاستخدام من عدم وجود أي تلف أو عيب بأجزاء الجهاز. تحقق كذلك من عدم وجود كسر بأي جزء من أجزاء الجهاز أو تلف بمفاتيح التشغيل وما إلى ذلك من الأمور التي من شأنها أن تؤثر على عمل الجهاز.
 - يحظر استخدام الجهاز في حال وجود أي عيب أو تلف بأي جزء من أجزائه.
 - لا تسمح بتصليح أو استبدال الأجزاء المعيبة أو التالفة إلا من قبل وكيل تصليح معتمد.
 - تأكد قبل الاستخدام من عدم وجود أي تلف أو تآكل بسلك توصيل الكهرباء.
 - يحظر استخدام الجهاز في حال وجود تلف أو عيب بسلك توصيل الكهرباء أو بالقابس الرئيسي.
 - يجب استبدال سلك توصيل الكهرباء أو القابس الرئيسي التالف أو المعيب من خلال وكيل تصليح معتمد لتجنب المخاطر. تجنب قطع سلك توصيل الكهرباء أو محاولة تصليحه بنفسك.
 - لا تحاول إزالة أو استبدال أي من أجزاء الجهاز بخلاف تلك الأجزاء المحددة في هذا الدليل.
 - لا تحاول تصليح الجهاز. توجه بالجهاز إلى أقرب مركز خدمة مملوك أو معتمد من قبل بلاك أند ديكر.
- ### السلامة الكهربائية
- يجب تأريض هذا المنتج. تأكد دائماً من توافق سلك التوصيل مع الجهد الكهربائي المبين بلوحة التصنيف.
 - يجب أن يكون قابس السلك الكهربائي مناسبة لمنفذ الكهرباء. يحظر تعديل القابس بأي شكل كان. كما

الاستخدام المقصود

• احرص على إبعاد سلك التوصيل عن الحرارة أو الزيت أو الأطراف الحادة.

• قد تكون درجة حرارة الأسطح الخارجية للجهاز مرتفعة أثناء الاستخدام وأثناء فترة تبريده.

• يحظر تشغيل الجهاز أو وضع أي جزء من أجزائه فوق أو بالقرب من أي سطح ساخن مثل الموقد الذي يعمل بواسطة الغاز أو الكهرباء أو داخل فرن مرتفع الحرارة.

• عند استخدام وصلة كهربائية، تأكد من توافق تلك الوصلة مع الجهاز.

سلامة الآخرين

• احرص على عدم تعلق السلك برووس الطاولات.

• لم تُصمم هذه الأداة للاستخدام بواسطة الأشخاص (بما في ذلك الأطفال) الذين يعانون من نقص القدرات العقلية أو البدنية أو الشعورية أو نقص الخبرة والمعرفة اللازمة لتشغيل هذا الجهاز، ما لم يكن ذلك تحت إشراف الشخص المسؤول عن سلامتهم.

• لا تسمح للأطفال أو أي شخص على غير دراية بهذه التعليمات باستخدام الجهاز.

• لا تسمح للأطفال أو الحيوانات بالاقتراب من منطقة العمل أو لمس الجهاز أو سلك توصيل الكهرباء أثناء التشغيل. يجب إبداء المزيد من الحرص عند استخدام الجهاز بالقرب من الأطفال.

• لا تترك الجهاز أبداً دون رقابة أثناء التشغيل.

بعد الاستخدام

• أوقف تشغيل الجهاز وافصل القابس من منفذ الكهرباء عند عدم استخدام الجهاز وقبل تنظيف أو تغيير أو فحص أي جزء من أجزائه.

تم تصميم هذه المقلاة العميقة من بلاك أند ديكر

خصيصاً لطهي الأطعمة المبينة في دليل القلي الوارد في هذا الدليل. هذا المنتج مخصص للاستخدام المنزلي فقط.

اقرأ هذا الدليل كاملاً بحرص بالغ قبل استخدام الجهاز.



تعليمات السلامة

تحذيراً! عند استخدام الأجهزة المزودة بأسلاك توصيل كهربائية، يجب اتباع تدابير السلامة الأساسية بما في ذلك التعليمات التالية للحد من التعرض لمخاطر الحريق أو الصدمات الكهربائية أو الإصابات الشخصية أو الأضرار الجوهريّة.

• يحتوي هذا الدليل على الاستخدام المقصود من هذا الجهاز. وقد يؤدي استخدام أي ملحقات أو مرفقات أو أداء أي عمليات أخرى بخلاف تلك المحددة في هذا الدليل إلى مخاطر التعرض للإصابات الشخصية.

• احتفظ بهذا الدليل للرجوع إليه مستقبلاً.

• مرر سلك توصيل الكهرباء بحرص تفادياً لمخاطر التعلق بأي غرض آخر.

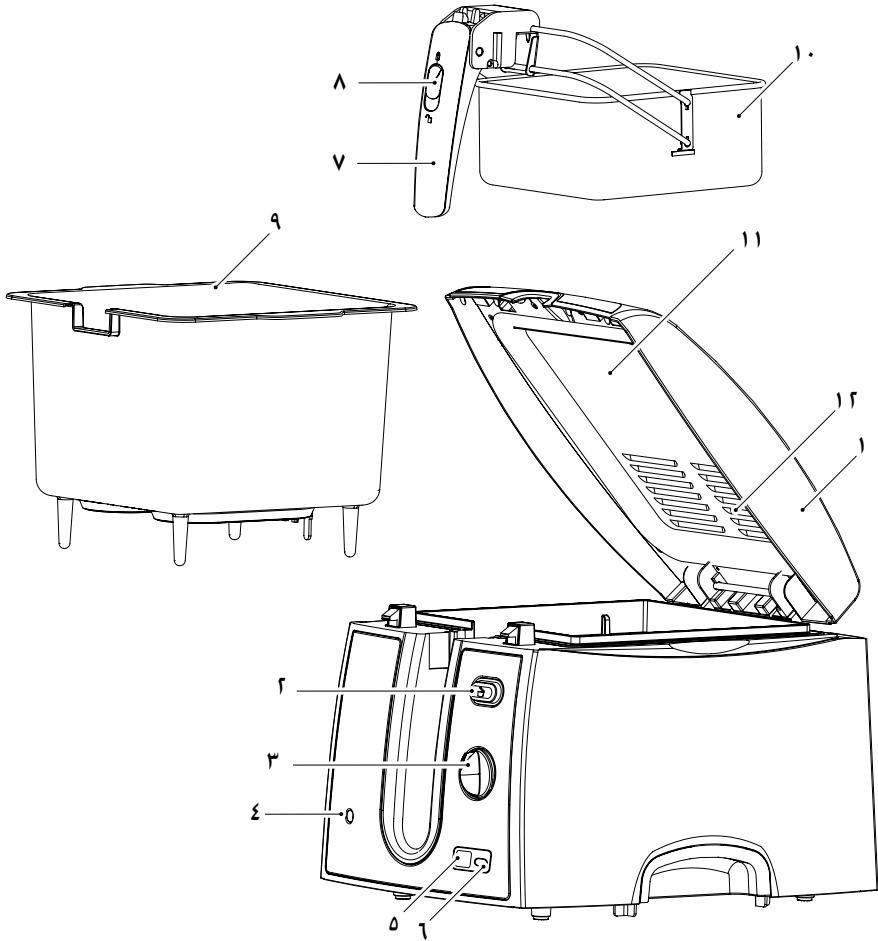
• تجنب تشغيل الجهاز أسفل منفذ الكهرباء الموصول به مباشرة.

استخدام الجهاز

• تأكد من إيقاف تشغيل الجهاز قبل توصيله بمنفذ الكهرباء أو فصله عنه.

• كن حذراً عند استخدام الجهاز.

• تجنب شد سلك التوصيل بهدف فصل القابس الكهربائي من منفذ الكهرباء.



أجزاء الجهاز

- | | | | |
|----|-----------------|---|---|
| ٧ | مقبض السلة | ١ | الغطاء |
| ٨ | زر تحرير المقبض | ٢ | زر تحرير الغطاء |
| ٩ | وعاء الطهي | ٣ | مفتاح الإيقاف/التشغيل - قرص ضبط الحرارة |
| ١٠ | السلة | ٤ | مؤشر الحرارة |
| ١١ | نافذة للملاحظة | ٥ | مؤقت |
| ١٢ | غطاء الفلتر | ٦ | زر ضبط المؤقت |

Names & Addresses for Black & Decker Service Concessionaries

ALGERIA: SARRL Outillage Corporation, After Sale Service Center-08, Rue Mohamed Boudiaf - Cheraga, Algiers, Algeria, Tel: +213 21 375131, Fax: +213-0-369667. **AZERBAIJAN:** Kontakt - NN LLC, M.Qashqay 43, Baku, Azerbaijan Az1000. Tel: +994 12 4082050, Fax: +994 12 4117090. **BAHRAIN:** Alfouz Services Co. WLL., P.O. Box 26562, Tubli, Manama, Tel: +973-17783562/17879987, Fax: +973-17783479. Kewalram & Sons Co. WLL P.O. Box 84, Manama, Kingdom of Bahrain, Tel: +973-17213110/17210617/17210619, Fax: +973-17213211/17210627. **BANGLADESH:** Ultra Corporation, 8, Kushol Centre, Uttara, Dhaka 1230. Tel: +880-2-8922144, Fax: +880-2-8951339. **EGYPT:** Anasia Egypt for Trading S.A.E, P.O. Box 2443, 9, Mostafa Refaat Street, Sheraton Heliopolis 11361, Cairo, Tel: +202-22684159, Fax: +202-22684169. **ETHIOPIA:** Seif Sherif Trade PLC -Arada Sub City, Kebele 01-02, Global Insurance Bldg., 2nd Flr. Room 43, P.O.Box 2525, Addis Ababa, Ethiopia, Tel: 00-251-11-1563968/1563969, Fax: 00-251-11-1558009. **INDIA:** Gryphon Appliances Ltd., D-6/4, Okhla Industrial Area, Phase-I, New Delhi-110020, Tel: +91-11-46731111, Fax: +91-11-46731111. **JORDAN:** Bashiti Hardware, 93 King Abdullah 2nd St., Opp ELBA House, P.O. Box 3005, Tel: +962-6-5349098 ext.11, Fax: +962-6-5330731. **KENYA:** Leading Concepts, P.O. Box: 40877-00100, Nairobi, Kenya. Tel: +254 20 690 5000, Fax: +254 20 690 5111. **KUWAIT:** Al Omar Technical Co., P.O. Box 4062, Safat 13041, Kuwait, Tel: 00965-24848595/24840039, Fax: 00965-24845652. The Sultan Centre, P.O. Box 26567-13126 Safat, Kuwait, Tel: 00965-24343155 Etn. 432, Fax: 00965-24319071. **LEBANON:** Aces Service Centre, P.O. Box 90-102, Nahr El Mot, Seaside Highway, Pharaon Building, Beirut. Tel: 00961-1-898989, Fax: 00961-1-245880. **LIBYA:** Homeworld Co., Building No.5, Senidal St., Amr Ibn Elaas Road, Benghazi, Libya. Tel: 00218-61-9094183. Service Center1 - Benghazi: Tel: +218-061-3383994, Fax: +218-092-7640688, Service Center2 - Tripoli: Tel: +218-021-3606430, Fax: +218-092-6514813. **MALTA:** John G Cassar Ltd. 36-Victory Street, Qormi QRM 06, Malta. Tel: +356-21493251, Fax: +356-21483231. **MAURITIUS:** J.M. Goupille & Co. Ltd., Rogers Industrial Park 1, Riche Terre, Mauritius, Tel: +230 206 9450/ +230 207 1700, Fax: +230 206 9474/ +230 248 3188. **MOROCCO:** UATS 26 Rue Ennarjisse, Hay Erraihan, Beausejour - Hay Hassani-Casablanca, Morocco. Tel: +212 522945114, Fax: +212 522942442. **NEPAL:** Universal Electrocom, Tripureshwor, Kathmandu, Nepal. Tel: +977-1-4265191. **NIGERIA:** Dana Electronics Ltd. (Lagos) 116/ 120, Apapa Oshodi Express Way, Isolo, Lagos, Nigeria. Tel: +234-17431818/ +234-8037767774/ +234-8057445477. (Abuja) 18, A.E. Ekuinam Street, Off Obsfemi Awolowo Road, Utako, Abuja, Nigeria. Tel: +234-8032276101/ +234-8037767774. (Kano) 9A - Mai Malari Road, Bompai, Kano, Nigeria. Tel: +234-8053294947/ +234-8037767774. **OMAN:** Oman Marketing & Service Co. (Omasco), P.O. Box 2734, Behind Honda Showroom, Wattayah, Oman, Tel: +968-24560232/24560255, Fax: +968-24560993. Oman Marketing & Service Co. (Omasco), Al Ohi, Sohar, Oman, Tel: +968-26846379, Fax: +968-26846379. Oman Marketing & Service Co. (Omasco) - Sanaya, Salalah, Oman, Tel: 00968-23212290, Fax: +968-23210936. **PAKISTAN:** Ammar Service & Spares - 60-Bank Arcade, Serai Road, Karachi, Pakistan, Tel: 0092-21-32426905, Fax: 0092-21-32427214. **PHILIPPINES:** 476 J. P. Rizal St., cor Kakarong St. Brgy Olympia, Makati City, Tel: +632 403-5698. **QATAR:** Al Muftah Service Centre - Al Wakrah Road, P.O. Box 875, Doha, Qatar. Tel: 00974-4650880/ 4650110/ 4446868, Fax: 00974-4441415/ 4662599. **SAUDI ARABIA:** (Al Khobar) Al-Suwaiket Catering & Trading Co., P.O.Box 4228, King A.Aziz Street, Al Khobar, Tel: +966-3-8591088, Fax: +966-3-8595648. Fawaz Ebrahim Al Zayani Trading Est. P.O. Box 76026, Al Khobar #31952, Tel: +966-3-8140914, Fax: +966-3-8140824. (Jeddah) Banaja Trading Co. Ltd, P.O. Box 366, Jeddah-21411, Tel: +966-2-6511111, Fax: +966-2-6503668. (Riyadh) Banaja Trading Co. Ltd, P.O. Box 566, Riyadh-11421, Tel: 00966-1-4124444, Fax: +966-1-4033378. **SOUTH AFRICA:** Trevco Power Tool Service 14 Steenbok Street, Koedoespoort, 0186, Pretoria, South Africa, Tel: +27-86-1873826, Fax: +27-86-5001771. **SRI LANKA:** Delmege Construction Products (Pvt) Ltd., No 101 Vinayalankara Mawatha, Colombo-10, Sri Lanka, Tel: +94-11-2693361-7, Service hotline: +94-77-2211111. **TUNISIA:** Société Tunisienne De Manutention - Rue de la Physique, Nouvelle Zone Industrielle de Ben Arous-2013 Tunisie, Tel: +216-71-386102/ 380620, Fax: +216-71380412 ext 216. **UGANDA:** Anisuma Investment and Services Ltd., J R complex, Ware House No.5, Plot No 101, 3rd Street Industrial Area, Jinja Road, Kampala, Tel: +256-414237106. **UAE: (Abu Dhabi)** Light House Electrical, P.O. Box 120, Abu Dhabi, Tel: +971-2-6726131, Fax: +971-2-6720667. (Al Ain) Zillion Equipment and Spare Parts Trading LLC, P.O. Box 19740, Opp. Bin Sadal/Trimix Redymix Sanaiya, Al Ain. Tel: +971-3-7216690, Fax:+971-3-7216103 (Dubai) Black & Decker (Overseas) GmbH, P.O. Box 5420, Dubai, Tel: +971-4-8127400/ 8127406, Fax: +971-4-2822765. (Musaffah) Light House Electrical, P.O. Box 120, Abu Dhabi, Tel: +971-2-5548315, Fax: +971-2-5540461. (Sharjah) Mc Coy Middle East LLC, P.O. Box 25793, Sharjah, Tel: +971-6-5395931, Fax: +971-6-5395932. (Ras Al Khaimah) Mc Coy Middle East LLC, P.O.Box 10584, Ras Al Khaimah, Tel: +971-7-2277095, Fax: +971-7-2277096. **YEMEN:** (Aden) Muala St., Tel: +967 2 222670, Fax: +967 2 222670. (Sana'a) Middle East Trad. Co. Ltd., P.O. Box 12363, Hayel Street, Sana'a. Tel: +967-1-204201, Fax: +967-1-204204. (Taiz) Middle East Trading Co. (METCO), 5th Flr.Hayel Saeed Anam Bldg, Al-Mugamma St. Taiz, Yemen, Tel: +967-4-213455, Fax: +967-4-219869.



WARRANTY REGISTRATION CARD

YOUR NAME/ الإسم -----

YOUR ADDRESS العنوان -----

POSTCODE الرمز البريدي -----

DATE OF PURCHASE تاريخ الشراء -----

DEALER'S NAME & ADDRESS/ إسم و عنوان البائع -----

A large, empty rounded rectangle with a thin black border, intended for the user to provide the product model number and other details.

PRODUCT MODEL NO. EF2750



Free Manuals Download Website

<http://myh66.com>

<http://usermanuals.us>

<http://www.somanuals.com>

<http://www.4manuals.cc>

<http://www.manual-lib.com>

<http://www.404manual.com>

<http://www.luxmanual.com>

<http://aubethermostatmanual.com>

Golf course search by state

<http://golfingnear.com>

Email search by domain

<http://emailbydomain.com>

Auto manuals search

<http://auto.somanuals.com>

TV manuals search

<http://tv.somanuals.com>