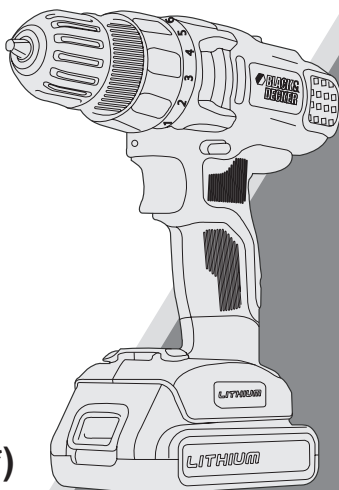




20V MAX* CORDLESS DRILL INSTRUCTION MANUAL



**CATALOG NUMBER
LDX220 (20V MAX*)**

Thank you for choosing Black & Decker! To register your new product go to www.BlackandDecker.com/NewOwner

PLEASE READ BEFORE RETURNING THIS PRODUCT FOR ANY REASON.

If you have a question or experience a problem with your Black & Decker purchase, go to <http://www.blackanddecker.com/instantanswers>

If you can't find the answer or do not have access to the Internet, call 1-800-544-6986 from 8 a.m. to 5 p.m. EST Mon. - Fri. to speak with an agent. Please have the catalog number available when you call.

SAVE THIS MANUAL FOR FUTURE REFERENCE.

VEA EL ESPANOL EN LA CONTRAPORTADA.

INSTRUCTIVO DE OPERACIÓN, CENTROS DE SERVICIO Y PÓLIZA DE GARANTÍA.

ADVERTENCIA: LÉASE ESTE INSTRUCTIVO ANTES DE USAR EL PRODUCTO.

*Maximum initial battery pack voltage (measured without a workload) is 20 volts. Measured under a workload, nominal voltage is 18.

SAFETY GUIDELINES - DEFINITIONS

It is important for you to read and understand this manual. The information it contains relates to protecting YOUR SAFETY and PREVENTING PROBLEMS. The symbols below are used to help you recognize this information.

⚠ DANGER: Indicates an imminently hazardous situation which, if not avoided, will result in death or serious injury.

⚠ WARNING: Indicates a potentially hazardous situation which, if not avoided, could result in death or serious injury.

⚠ CAUTION: Indicates a potentially hazardous situation which, if not avoided, may result in minor or moderate injury.

NOTICE: Used without the safety alert symbol indicates potentially hazardous situation which, if not avoided, may result in property damage.

General Safety Rules

⚠ WARNING: Read all safety warnings and all instructions. Failure to follow the warnings and instructions may result in electric shock, fire and/or serious injury.

SAVE ALL WARNINGS AND INSTRUCTIONS FOR FUTURE REFERENCE

The term "power tool" in the warnings refers to your mains-operated (corded) power tool or battery-operated (cordless) power tool.

1) WORK AREA SAFETY

- a) **Keep work area clean and well lit.** Cluttered or dark areas invite accidents.
- b) **Do not operate power tools in explosive atmospheres, such as in the presence of flammable liquids, gases or dust.** Power tools create sparks which may ignite the dust or fumes.
- c) **Keep children and bystanders away while operating a power tool.** Distractions can cause you to lose control.

2) ELECTRICAL SAFETY

- a) **Power tool plugs must match the outlet. Never modify the plug in any way. Do not use any adapter plugs with earthed (grounded) power tools.** Unmodified plugs and matching outlets will reduce risk of electric shock.
- b) **Avoid body contact with earthed or grounded surfaces such as pipes, radiators, ranges and refrigerators.** There is an increased risk of electric shock if your body is earthed or grounded.
- c) **Do not expose power tools to rain or wet conditions.** Water entering a power tool will increase the risk of electric shock.
- d) **Do not abuse the cord. Never use the cord for carrying, pulling or unplugging the power tool. Keep cord away from heat, oil, sharp edges or moving parts.** Damaged or entangled cords increase the risk of electric shock.
- e) **When operating a power tool outdoors, use an extension cord suitable for outdoor use.** Use of a cord suitable for outdoor use reduces the risk of electric shock.
- f) **If operating a power tool in a damp location is unavoidable, use a ground fault circuit interrupter (GFCI) protected supply.** Use of a GFCI reduces the risk of electric shock.

3) PERSONAL SAFETY

- a) **Stay alert, watch what you are doing and use common sense when operating a power tool. Do not use a power tool while you are tired or under the influence of drugs, alcohol or medication.** A moment of inattention while operating power tools may result in serious personal injury.
- b) **Use personal protective equipment. Always wear eye protection.** Protective equipment such as dust mask, nonskid safety shoes, hard hat, or hearing protection used for appropriate conditions will reduce personal injuries.
- c) **Prevent unintentional starting. Ensure the switch is in the off position before connecting to power source and/ or battery pack, picking up or carrying the tool. Carrying power tools with your finger on the switch or energizing power tools that have the switch on invites accidents.**
- d) **Remove any adjusting key or wrench before turning the power tool on.** A wrench or a key left attached to a rotating part of the power tool may result in personal injury.

- e) **Do not overreach. Keep proper footing and balance at all times.** *This enables better control of the power tool in unexpected situations.*
- f) **Dress properly. Do not wear loose clothing or jewelry. Keep your hair, clothing and gloves away from moving parts.** *Loose clothes, jewelry or long hair can be caught in moving parts.*
- g) **If devices are provided for the connection of dust extraction and collection facilities, ensure these are connected and properly used.** *Use of dust collection can reduce dust-related hazards.*

4) POWER TOOL USE AND CARE

- a) **Do not force the power tool. Use the correct power tool for your application.** *The correct power tool will do the job better and safer at the rate for which it was designed.*
- b) **Do not use the power tool if the switch does not turn it on and off.** *Any power tool that cannot be controlled with the switch is dangerous and must be repaired.*
- c) **Disconnect the plug from the power source and/or the battery pack from the power tool before making any adjustments, changing accessories, or storing power tools.** *Such preventive safety measures reduce the risk of starting the power tool accidentally.*
- d) **Store idle power tools out of the reach of children and do not allow persons unfamiliar with the power tool or these instructions to operate the power tool.** *Power tools are dangerous in the hands of untrained users.*
- e) **Maintain power tools. Check for misalignment or binding of moving parts, breakage of parts and any other condition that may affect the power tool's operation. If damaged, have the power tool repaired before use.** *Many accidents are caused by poorly maintained power tools.*
- f) **Keep cutting tools sharp and clean.** *Properly maintained cutting tools with sharp cutting edges are less likely to bind and are easier to control.*
- g) **Use the power tool, accessories and tool bits, etc. in accordance with these instructions, taking into account the working conditions and the work to be performed.** *Use of the power tool for operations different from those intended could result in a hazardous situation.*

5) BATTERY TOOL USE AND CARE

- a) **Recharge only with the charger specified by the manufacturer.** *A charger that is suitable for one type of battery pack may create a risk of fire when used with another battery pack.*
- b) **Use power tools only with specifically designated battery packs.** *Use of any other battery packs may create a risk of injury and fire.*
- c) **When battery pack is not in use, keep it away from other metal objects like paper clips, coins, keys, nails, screws, or other small metal objects that can make a connection from one terminal to another.** *Shorting the battery terminals together may cause burns or a fire.*
- d) **Under abusive conditions, liquid may be ejected from the battery, avoid contact. If contact accidentally occurs, flush with water. If liquid contacts eyes, additionally seek medical help.** *Liquid ejected from the battery may cause irritation or burns.*

6) SERVICE

- a) **Have your power tool serviced by a qualified repair person using only identical replacement parts.** *This will ensure that the safety of the power tool is maintained.*

Specific Safety Rules

- **Hold power tool by insulated gripping surfaces, when performing an operation where the cutting accessory may contact hidden wiring.** *Cutting accessory contacting a "live" wire may make exposed metal parts of the power tool "live" and could give the operator an electric shock.*
- **Use auxiliary handle(s) if supplied with the tool.** *Loss of control can cause personal injury.*
- **Use clamps or another practical way to secure and support the work piece to a stable platform.** *Holding the work by hand or against your body leaves it unstable and may lead to loss of control.*
- **When not in use, place tool on its side on a stable surface where it will not cause a tripping or falling hazard.** *Some tools with large battery packs will stand upright but may be easily knocked over.*
- **Keep your hair, clothing, and gloves away from air vents.** *Air vents often cover moving parts in which these items can be caught.*
- **Hold tool firmly with two hands, one hand on the handle, and the other gripping the bottom around the battery area.** *Use auxiliary handle if provided. Loss of control can cause personal injury.*

⚠ WARNING: Some dust created by power sanding, sawing, grinding, drilling, and other construction activities contains chemicals known to the State of California to cause cancer, birth defects or other reproductive harm. Some examples of these chemicals are:

- lead from lead-based paints,
- crystalline silica from bricks and cement and other masonry products, and
- arsenic and chromium from chemically-treated lumber.

Your risk from these exposures varies, depending on how often you do this type of work. To reduce your exposure to these chemicals: work in a well ventilated area, and work with approved safety equipment, such as those dust masks that are specially designed to filter out microscopic particles.

• **Avoid prolonged contact with dust from power sanding, sawing, grinding, drilling, and other construction activities. Wear protective clothing and wash exposed areas with soap and water.** Allowing dust to get into your mouth, eyes, or lay on the skin may promote absorption of harmful chemicals.

⚠ WARNING: Use of this tool can generate and/or disperse dust, which may cause serious and permanent respiratory or other injury. Always use NIOSH/OSHA approved respiratory protection appropriate for the dust exposure. Direct particles away from face and body.

• **Wear appropriate hearing protection during use.** Under some conditions and duration of use, noise from this product may contribute to hearing loss.

⚠ WARNING: ALWAYS use safety glasses. Everyday eye glasses are NOT safety glasses. Also use face or dust mask if cutting operation is dusty.

ALWAYS WEAR CERTIFIED SAFETY EQUIPMENT:

- ANSI Z87.1 eye protection (CAN/CPA Z94.3),
- ANSI S12.6 (S3.19) hearing protection,
- NIOSH/OSHA respiratory protection.

SYMBOLS

The label on your tool may include the following symbols. The symbols and their definitions are as follows:

V.....volts

Hz.....hertz

minminutes

==direct current

Ⓜ Class I Construction
(grounded)

Ⓜ Class II Construction
(double insulated)

📖 Read instruction manual before use

👁 Use proper eye protection

A.....amperes

W.....watts

~alternating current

*n*_o.....no load speed

⊕.....earthing terminal

⚠safety alert symbol

.../min or rpm...revolutions or
reciprocation per minute

👤 Use proper respiratory protection

👂 Use proper hearing protection

IMPORTANT SAFETY INSTRUCTIONS FOR BATTERY CHARGERS

SAVE THESE INSTRUCTIONS: This manual contains important safety instructions for battery chargers.

• Before using charger, read all instructions and cautionary markings on charger, battery pack, and product using battery pack.

⚠ WARNING: Shock hazard. Do not allow any liquid to get inside charger.

⚠ CAUTION: Burn hazard. To reduce the risk of injury, charge only designated **Black & Decker** batteries. Other types of batteries may burst causing personal injury and damage.

⚠ CAUTION: Under certain conditions, with the charger plugged in to the power supply, the charger can be shorted by foreign material. Foreign materials of a conductive nature such as, but not limited to, steel wool, aluminum foil, or any buildup of metallic particles should be kept away from charger cavities. Always unplug the charger from the power supply when there is no battery pack in the cavity. Unplug charger before attempting to clean.

⚠ WARNING: DO NOT attempt to charge the battery pack with any chargers other than the ones in this manual. The charger and battery pack are specifically designed to work together.

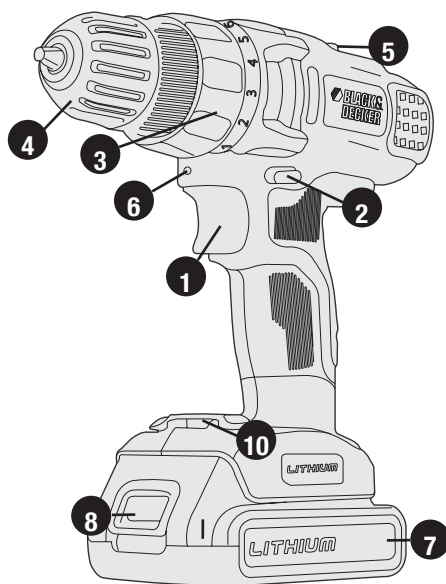
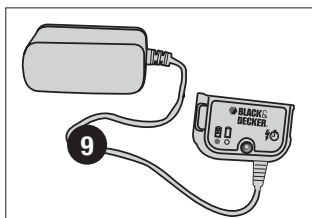
- **These chargers are not intended for any uses other than charging designated Black & Decker rechargeable batteries.** Any other uses may result in risk of fire, electric shock or electrocution.
- **Do not expose charger to rain or snow.**

- **Pull by plug rather than cord when disconnecting charger.** *This will reduce risk of damage to electric plug and cord.*
- **Make sure that cord is located so that it will not be stepped on, tripped over, or otherwise subjected to damage or stress.**
- **Do not use an extension cord unless it is absolutely necessary.** *Use of improper extension cord could result in risk of fire, electric shock, or electrocution.*
- **An extension cord must have adequate wire size (AWG or American Wire Gauge) for safety.** *The smaller the gauge number of the wire, the greater the capacity of the cable, that is 16 gauge has more capacity than 18 gauge. When using more than one extension to make up the total length, be sure each individual extension contains at least the minimum wire size.*
- **Do not operate charger with damaged cord or plug** — *have them replaced immediately.*
- **Do not operate charger if it has received a sharp blow, been dropped, or otherwise damaged in any way.** *Take it to an authorized service center.*
- **Do not disassemble charger;** *take it to an authorized service center when service or repair is required. Incorrect reassembly may result in a risk of electric shock, electrocution or fire.*
- **Disconnect the charger from the outlet before attempting any cleaning.** *This will reduce the risk of electric shock. Removing the battery pack will not reduce this risk.*
- **NEVER attempt to connect 2 chargers together.**
- **The charger is designed to operate on standard household electrical power (120 Volts).** *Do not attempt to use it on any other voltage.*

SAVE THESE INSTRUCTIONS

FUNCTIONAL DESCRIPTION

1. Variable speed switch
2. Forward/reverse button
3. Torque adjustment collar
4. Keyless chuck
5. Dual range gearing
6. LED work light
7. Battery
8. Battery release button
9. Charger
10. Screwdriver bit holder



IMPORTANT SAFETY INSTRUCTION FOR BATTERY PACKS

⚠ WARNING: For safe operation, read this manual and manuals originally supplied with tool before using the charger.

The battery pack is not fully charged out of the carton. Before using the battery pack and charger, read the safety instructions below. Then follow charging procedures outlined.

READ ALL INSTRUCTIONS

- **Do not incinerate the battery pack even if it is severely damaged or is completely worn out.** The battery pack can explode in a fire. Toxic fumes and materials are created when battery packs are burned.
- **Do not charge or use battery in explosive atmospheres, such as in the presence of flammable liquids, gases or dust.** Inserting or removing the battery from the charger may ignite the dust or fumes.
- **If battery contents come into contact with the skin, immediately wash area with mild soap and water.** If battery liquid gets into the eye, rinse water over the open eye for 15 minutes or until irritation ceases. If medical attention is needed, the battery electrolyte for Lithium-Ion batteries is composed of a mixture of liquid organic carbonates and lithium salts.
- **Contents of opened battery cells may cause respiratory irritation.** Provide fresh air. If symptoms persist, seek medical attention.

⚠ WARNING: Burn hazard. Battery liquid may be flammable if exposed to spark or flame.

- Charge the battery packs only in **Black & Decker** chargers.
- **DO NOT splash or immerse in water or other liquids.** This may cause premature cell failure.
- **Do not store or use the tool and battery pack in locations where the temperature may reach or exceed 105°F (40°C) (such as outside sheds or metal buildings in summer).**

⚠ WARNING: Never attempt to open the battery pack for any reason. If battery pack case is cracked or damaged, do not insert into charger. Do not crush, drop or damage battery pack. Do not use a battery pack or charger that has received a sharp blow, been dropped, run over or damaged in any way (i.e., pierced with a nail, hit with a hammer, stepped on). Damaged battery packs should be returned to service center for recycling.

⚠ WARNING: Fire hazard. Do not store or carry battery so that metal objects can contact exposed battery terminals. For example, do not place battery in aprons, pockets, tool boxes, product kit boxes, drawers, etc., with loose nails, screws, keys, etc. Transporting batteries can possibly cause fires if the battery terminals inadvertently come in contact with conductive materials such as keys, coins, hand tools and the like. The US Department of Transportation Hazardous Material Regulations (HMR) actually prohibit transporting batteries in commerce or on airplanes (i.e., packed in suitcases and carry-on luggage) UNLESS they are properly protected from short circuits. So when transporting individual batteries, make sure that the battery terminals are protected and well insulated from materials that could contact them and cause a short circuit. **NOTE: Lithium-Ion batteries should not be put in checked baggage.**

STORAGE RECOMMENDATIONS

1. The best storage place is one that is cool and dry away from direct sunlight and excess heat or cold.
2. Long storage will not harm the battery pack or charger.

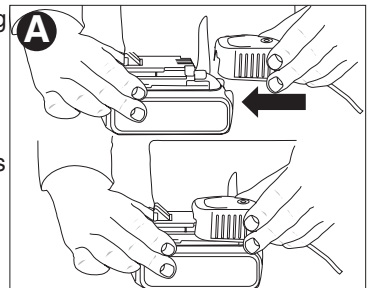
CHARGING PROCEDURE

Black & Decker chargers are designed to charge **Black & Decker** battery packs in 3.5-4 hours depending on the pack being charged.

1. Plug the charger into an appropriate outlet before inserting the battery pack.
2. Insert the battery pack into the charger as shown in figure A.

3. The green LED will flash indicating that the battery is being charged.

4. The completion of charge is indicated by the green LED remaining on continuously. The pack is fully charged and may be used at this time or left on the charger.



Recharge discharged batteries as soon as possible after use or battery life may be greatly diminished. For longest battery life, do not discharge batteries fully. It is recommended that the batteries be recharged after each use.

LEAVING THE BATTERY IN THE CHARGER

The charger and battery pack can be left connected with the green LED glowing indefinitely. The charger will keep the battery pack fresh and fully charged.

IMPORTANT CHARGING NOTES

1. Longest life and best performance can be obtained if the battery pack is charged when the air temperature is between 65°F and 75°F (18°- 24°C). DO NOT charge the battery pack in an air temperature below +40°F (+4.5°C), or above +105°F (+40.5°C). This is important and will prevent serious damage to the battery pack.
2. The charger and battery pack may become warm to touch while charging. This is a normal condition, and does not indicate a problem. To facilitate the cooling of the battery pack after use, avoid placing the charger or battery pack in a warm environment such as in a metal shed, or an uninsulated trailer.
3. If the battery pack does not charge properly:
 - a. Check current at receptacle by plugging in a lamp or other appliance
 - b. Check to see if receptacle is connected to a light switch which turns power off when you turn out the lights.
 - c. Move charger and battery pack to a location where the surrounding air temperature is approximately 65°F - 75°F (18°- 24°C).
 - d. If charging problems persist, take the tool, battery pack and charger to your local service center.
4. The battery pack should be recharged when it fails to produce sufficient power on jobs which were easily done previously. DO NOT CONTINUE to use under these conditions. Follow the charging procedure. You may also charge a partially used pack whenever you desire with no adverse affect on the battery pack.
5. Foreign materials of a conductive nature such as, but not limited to, steel wool, aluminum foil, or any buildup of metallic particles should be kept away from charger cavities. Always unplug the charger from the power supply when there is no battery pack in the cavity. Unplug charger before attempting to clean.
6. Do not freeze or immerse charger in water or any other liquid.
⚠ WARNING: Shock hazard. Do not allow any liquid to get inside charger. *Never attempt to open the battery pack for any reason. If the plastic housing of the battery pack breaks or cracks, return to a service center for recycling.*

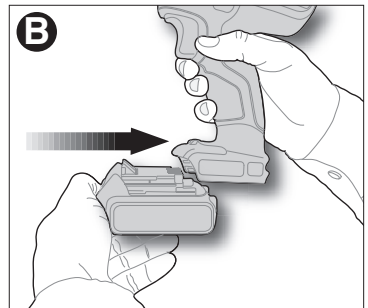
SAFETY WARNINGS AND INSTRUCTIONS: DRILLS

1. Hold drill firmly with one hand on the grip and the other hand on the bottom of the battery pack.
2. When attaching accessories in the drill chuck, hand tighten the keyless chuck firmly.
⚠ WARNING: Drill may stall (if overloaded or improperly used) causing a twist. Always expect the stall. Grip the drill firmly with both hands to control the twisting action and prevent loss of control which could cause personal injury. If a stall does occur, release the trigger immediately and determine the reason for the stall before re-starting.

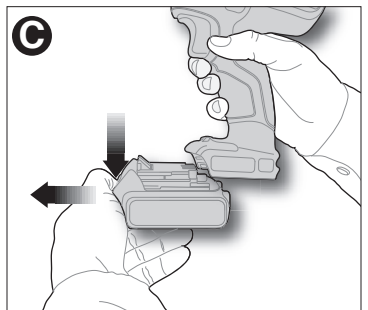
INSTALLING AND REMOVING THE BATTERY PACK FROM THE TOOL

⚠ WARNING: *Make certain the lock-off button is engaged to prevent switch actuation before removing or installing battery.*

TO INSTALL BATTERY PACK: Insert battery pack into tool until an audible click is heard (**figure B**). Make sure battery pack is fully seated and fully latched into position.



TO REMOVE BATTERY PACK: Depress the battery release button as shown in **figure C** and pull battery pack out of tool.



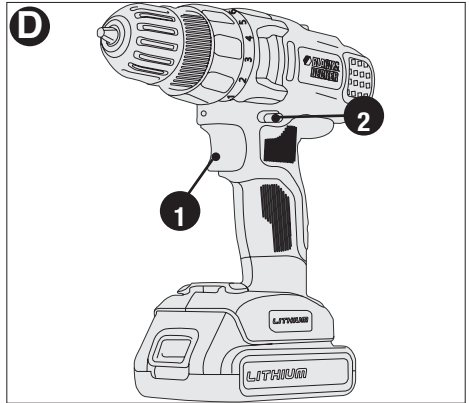
OPERATING INSTRUCTIONS

TRIGGER SWITCH & REVERSING BUTTON (FIGURE D)

- The drill is turned ON and OFF by pulling and releasing the trigger switch (1). The farther the trigger is depressed, the higher the speed of the drill.
- A forward/reverse control button (2) determines the direction of the tool and also serves as a lock off button.
- To select forward rotation, release the trigger switch and depress the forward/reverse control button to the left.
- To select reverse, depress the forward/reverse control button the opposite direction.

NOTE: The center position of the control button locks the tool in the off position.

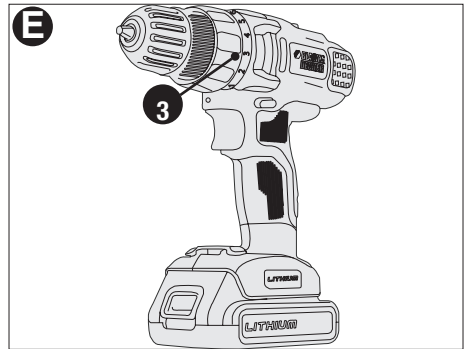
When changing the position of the control button, be sure the trigger is released.



TORQUE CONTROL (FIGURE E)

This tool is fitted with a torque adjustment collar (3) to select the operating mode and to set the torque for tightening screws. Large screws and hard workpiece materials require a higher torque setting than small screws and soft workpiece materials.

- For drilling in wood, metal and plastics, set the collar to the drilling position symbol 1
- For screwdriving, set the collar to the desired setting. If you do not yet know the appropriate setting, proceed as follows:
 - Set the collar to the lowest torque setting.
 - Tighten the first screw.
 - If the clutch ratchets before the desired result is achieved, increase the collar setting and continue tightening the screw. Repeat until you reach the correct setting. Use this setting for the remaining screws.



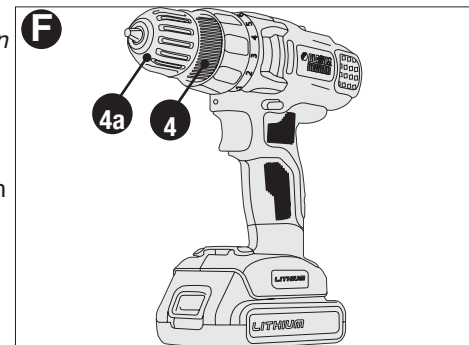
KEYLESS CHUCK (FIGURE F)

⚠ WARNING: Make certain the lock-off button is engaged to prevent switch actuation before installing or removing accessories.

To insert a drill bit or other accessory:

1. Grasp the rear half of the chuck (4) with one hand and use your other hand to rotate the front half (4a) in the counterclockwise direction, as viewed from the chuck end.
2. Insert the bit or other accessory fully into the chuck, and tighten securely by holding the rear half of the chuck and rotating the front portion in the clockwise direction as viewed from the chuck end.

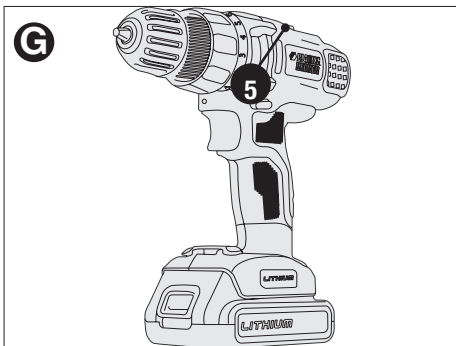
⚠ WARNING: Do not attempt to tighten drill bits (or any other accessory) by gripping the front part of the chuck and turning the tool on. Damage to the chuck and personal injury may occur when changing accessories.



DUAL RANGE GEARING (FIGURE G)

The dual range feature of your drill allows you to shift gears for greater versatility. To select low speed, high torque setting (position 1), turn tool off and permit to stop. Slide gear shifter button (5) away from the chuck. To select the high speed, low torque setting (position 2), turn tool off and permit to stop. Slide gear shifter button towards the chuck.

NOTE: Do not change gears when tool is running. If you are having trouble changing gears, make sure that the dual range gear button is either completely pushed forward or completely pushed back.

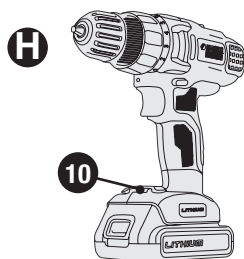


SCREW DRIVING

For driving fasteners, the reversing button should be pushed to the left. Use reverse (button pushed to the right) for removing fasteners. When moving from forward to reverse, or vice versa, always release the trigger switch first.

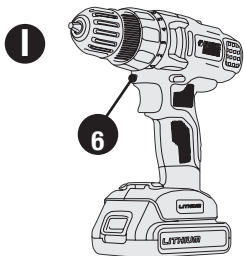
ON BOARD BIT STORAGE (FIGURE H)

A bit storage slot (10) is built-in to the area just above the battery pack.



LED Work Light (FIGURE I)

When drill is activated by pulling the trigger switch (1), the integrated LED work light (6) will automatically illuminate the work area. Do not use LED work light as flashlight.



DRILLING

- Use sharp drill bits only.
- Support and secure work properly, as instructed in the Safety Instructions.
- Use appropriate and required safety equipment, as instructed in the Safety Instructions.
- Secure and maintain work area, as instructed in the Safety Instructions.
- Run the drill very slowly, using light pressure, until the hole is started enough to keep the drill bit from slipping out of it.
- Apply pressure in a straight line with the bit. Use enough pressure to keep the bit biting but not so much as to stall the motor or deflect the bit.
 - **Hold the drill firmly with two hands to control its twisting action.**
- **DO NOT CLICK THE TRIGGER OF A STALLED DRILL OFF AND ON IN AN ATTEMPT TO START IT. DAMAGE TO THE DRILL CAN RESULT.**
- Minimize stalling on breakthrough by reducing pressure and slowly drilling through the last part of the hole.
- Keep the motor running while pulling the bit out of a drilled hole. This will help reduce jamming.
- **Make sure switch turns drill on and off.**

DRILLING IN WOOD

Holes in wood can be made with the same twist drill bits used for metal or with spade bits. These bits should be sharp and should be pulled out frequently when drilling to clear chips from the flutes.

DRILLING IN METAL

Use a cutting lubricant when drilling metals. The exceptions are cast iron and brass which should be drilled dry. The cutting lubricants that work best are sulfurized cutting oil or lard oil.

DRILLING IN MASONRY

Use carbide tipped masonry bits. Refer to Drilling section. Keep even force on the drill but not so much that you crack the brittle material. A smooth, even flow of dust indicates the proper drilling rate.

MAINTENANCE

Use only mild soap and damp cloth to clean the tool. Never let any liquid get inside the tool; never immerse any part of the tool into a liquid.

IMPORTANT: To assure product SAFETY and RELIABILITY, repairs, maintenance and adjustment (other than those listed in this manual) should be performed by authorized service centers or other qualified service personnel, always using identical replacement parts.

TROUBLESHOOTING

Problem

- Unit will not start.
- Battery pack will not charge.
- Unit shuts off abruptly.

Possible Cause

- Battery pack not installed properly.
- Battery pack not charged.
- Battery pack not inserted into charger.
- Charger not plugged in.
- Surrounding air temperature too hot or too cold.
- Battery pack has reached its maximum thermal limit.
- Out of charge. (**To maximize the life of the battery pack it is designed to shutoff abruptly when the charge is depleted.**)

Possible Solution

- Check battery pack installation.
- Check battery pack charging requirements.
- Insert battery pack into charger until green LED appears.
- Plug charger into a working outlet. Refer to "Important Charging Notes" for more details.
- Move charger and battery pack to a surrounding air temperature of above 40 degrees F (4.5°C) or below 105 degrees F (+40.5°C).
- Allow battery pack to cool down.
- Place on charger and allow to charge.

For assistance with your product, visit our website www.blackanddecker.com for the location of the service center nearest you or call the BLACK & DECKER help line at **1-800-544-6986**.

ACCESSORIES

Recommended accessories for use with your tool are available from your local dealer or authorized service center. If you need assistance regarding accessories, please call: 1-800-544-6986.

⚠ WARNING: The use of any accessory not recommended for use with this tool could be hazardous.

The RBRC™ Seal

The RBRC™ (Rechargeable Battery Recycling Corporation) Seal on the lithium-ion battery (or battery pack) indicates that the costs to recycle the battery (or battery pack) at the end of its useful life have already been paid by Black & Decker. In some areas, it is illegal to place spent lithium-ion batteries in the trash or municipal solid waste stream and the RBRC program provides an environmentally conscious alternative.

RBRC in cooperation with Black & Decker and other battery users, has established programs in the United States and Canada to facilitate the collection of spent lithium-ion batteries. Help protect our environment and conserve natural resources by returning the tool to an authorized Black & Decker service center for recycling. You may also contact your local recycling center for information on where to drop off the spent battery, or call **1-800-8-BATTERY**.



This Class B digital apparatus complies with Canadian ICES-003.

This device complies with part 15 of the FCC rules. Operation is subject to the following two conditions: (1) This device may not cause harmful interference, and (2) this device must accept any interference received, including interference that may cause undesired operation.

NOTE: This equipment has been tested and found to comply with the limits for a Class B digital device, pursuant to Part 15 of the FCC Rules. These limits are designed to provide reasonable protection against harmful interference in a residential installation. This equipment generates, uses and can radiate radio frequency energy and, if not installed and used in accordance with the instructions, may cause harmful interference to radio communications. However, there is no guarantee that interference will not occur in a particular installation.

If this equipment does cause harmful interference to radio or television reception, which can be determined by turning the equipment off and on, the user is encouraged to try to correct the interference by one or more of the following measures:

- Reorient or relocate the receiving antenna.
- Increase the separation between the equipment and receiver.
- Connect the equipment into an outlet on a circuit different from that to which the receiver is connected.
- Consult the dealer or an experienced radio/TV technician for help.

Changes or modifications to this unit not expressly approved by the party responsible for compliance could void the user's authority to operate the equipment. This Class B digital apparatus complies with Canadian ICES-003.

SERVICE INFORMATION

All Black & Decker Service Centers are staffed with trained personnel to provide customers with efficient and reliable power tool service. Whether you need technical advice, repair, or genuine factory replacement parts, contact the Black & Decker location nearest you. To find your local service location, refer to the yellow page directory under "Tools—Electric" or call: **1-800-544-6986** or visit **www.blackanddecker.com**

LIMITED TWO-YEAR HOME USE WARRANTY

Black & Decker (U.S.) Inc. warrants this product for two years against any defects in material or workmanship. The defective product will be replaced or repaired at no charge in either of two ways.

The first, which will result in exchanges only, is to return the product to the retailer from whom it was purchased (provided that the store is a participating retailer). Returns should be made within the time period of the retailer's policy for exchanges (usually 30 to 90 days after the sale). Proof of purchase may be required. Please check with the retailer for their specific return policy regarding returns that are beyond the time set for exchanges.

The second option is to take or send the product (prepaid) to a Black & Decker owned or authorized Service Center for repair or replacement at our option. Proof of purchase may be required. Black & Decker owned and authorized Service Centers are listed under "Tools-Electric" in the yellow pages of the phone directory.

This warranty does not apply to accessories. This warranty gives you specific legal rights and you may have other rights which vary from state to state or province to province. Should you have any questions, contact the manager of your nearest Black & Decker Service Center. This product is not intended for commercial use.

FREE WARNING LABEL REPLACEMENT: If your warning labels become illegible or are missing, call **1-800-544-6986** for a free replacement.

LATIN AMERICA: This warranty does not apply to products sold in Latin America. For products sold in Latin America, check country specific warranty information contained in the packaging, call the local company or see the website for warranty information.

Imported by
Black & Decker (U.S.) Inc.,
701 E. Joppa Rd.
Towson, MD 21286 U.S.A.



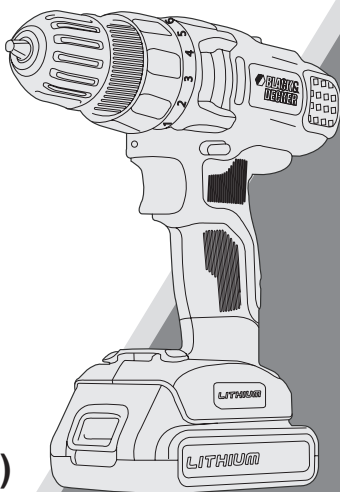
See 'Tools-
Electric'
– Yellow Pages –
for Service &
Sales





LA PERCEUSE SANS FIL DE 20V MAX*

MANUEL D' INSTRUCTIONS



N° DE CATALOGUE
LDX220 (20V MAX*)

Merci d'avoir choisi Black & Decker! Consulter le site Web www.BlackandDecker.com/NewOwner pour enregistrer votre nouveau produit.

À LIRE AVANT DE RETOURNER CE PRODUIT POUR QUELQUE RAISON QUE CE SOIT:
Si des questions ou des problèmes surgissent après l'achat d'un produit Black & Decker, consulter le site Web www.blackanddecker.com/instantanswers pour obtenir des réponses instantanément 24 heures par jour. Si la réponse est introuvable ou en l'absence d'accès à l'Internet, composer le 1 800 544-6986 de 8 h à 17 h HNE, du lundi au vendredi, pour parler avec un agent. Prière d'avoir le numéro de catalogue sous la main lors de l'appel.

Pour l'achat d'un filtre de recharge composer le 1-888-678-7278

CONSERVER CE MODE D'EMPLOI POUR UN USAGE ULTÉRIEUR.

*La tension initiale maximale du bloc-piles (mesurée sans charge de travail) est de 20 volts. La tension nominale est de 18.

LIGNES DIRECTRICES EN MATIÈRE DE SÉCURITÉ - DÉFINITIONS

Il est important que vous lisiez et compreniez ce mode d'emploi. Les informations qu'il contient concernent VOTRE SÉCURITÉ et visent à ÉVITER TOUT PROBLÈME. Les symboles ci-dessous servent à vous aider à reconnaître cette information.

⚠ DANGER : Indique une situation dangereuse imminente qui, si elle n'est pas évitée, causera la mort ou des graves blessures.

⚠ AVERTISSEMENT : Indique une situation potentiellement dangereuse qui, si elle n'est pas évitée, pourrait causer la mort ou de graves blessures.

⚠ MISE EN GARDE : Indique une situation potentiellement dangereuse qui, si elle n'est pas évitée, pourrait causer des blessures mineures ou modérées.

AVIS : Utilisé sans le symbole d'alerte à la sécurité, indique une situation potentiellement dangereuse qui, si elle n'est pas évitée, peut résulter en des dommages à la propriété.

AVERTISSEMENTS DE SÉCURITÉ GÉNÉRAUX POUR LES OUTILS ÉLECTRIQUES

⚠ AVERTISSEMENT : Lire tous les avertissements de sécurité et toutes les directives. Le non-respect des avertissements et des directives pourrait se solder par un choc électrique, un incendie et/ou une blessure grave.

Conserver tous les avertissements et toutes les directives pour un usage ultérieur.

Le terme «outil électrique» cité dans les avertissements se rapporte à votre outil électrique à alimentation sur secteur (avec fil) ou par piles (sans fil).

1) Sécurité du lieu de travail

- a) Tenir la zone de travail propre et bien éclairée. *Les endroits sombres sont souvent des causes d'accidents.*
- b) Ne pas faire fonctionner d'outils électriques dans un milieu déflagrant, soit en présence de liquides inflammables, de gaz ou de poussière. *Les outils électriques produisent des étincelles qui peuvent enflammer la poussière ou les vapeurs.*
- c) Éloigner les enfants et les curieux au moment d'utiliser un outil électrique. *Une distraction pourrait vous en faire perdre la maîtrise.*

2) Sécurité en matière d'électricité

- a) Les fiches des outils électriques doivent correspondre à la prise. Ne jamais modifier la fiche en aucune façon. *Ne jamais utiliser de fiche d'adaptation avec un outil électrique mis à la terre. Le risque de choc électrique sera réduit par l'utilisation de fiches non modifiées correspondant à la prise.*
- b) Éviter tout contact physique avec des surfaces mises à la terre comme des tuyaux, des radiateurs, des cuisinières et des réfrigérateurs. *Le risque de choc électrique est plus élevé si votre corps est mis à la terre.*
- c) Ne pas exposer les outils électriques à la pluie ou à d'autres conditions où il pourrait être mouillé. *La pénétration de l'eau dans un outil électrique augmente le risque de choc électrique.*
- d) Ne pas utiliser abusivement le cordon d'alimentation. Ne jamais utiliser le cordon pour transporter, tirer ou débrancher un outil électrique. Tenir le cordon éloigné de la chaleur, de l'huile, des bords tranchants ou des pièces mobiles. *Les cordons endommagés ou emmêlés augmentent les risques de choc électrique.*
- e) Pour l'utilisation d'un outil électrique à l'extérieur, se servir d'une rallonge convenant à une telle utilisation. *L'utilisation d'une rallonge conçue pour l'extérieur réduit les risques de choc électrique.*
- f) S'il est impossible d'éviter l'utilisation d'un outil électrique dans un endroit humide, brancher l'outil dans une prise ou sur un circuit d'alimentation dotés d'un disjoncteur de fuite à la terre (GFCI). *L'utilisation de ce type de disjoncteur réduit les risques de choc électrique.*

3) Sécurité personnelle

- a) Être vigilant, surveiller le travail effectué et faire preuve de jugement lorsqu'un outil électrique est utilisé. Ne pas utiliser d'outil électrique en cas de fatigue ou sous l'influence de drogues, d'alcool ou de médicaments. *Un simple moment d'inattention en utilisant un outil électrique peut entraîner des blessures corporelles graves.*
- b) Utiliser des équipements de protection individuelle. Toujours porter une protection oculaire. *L'utilisation d'équipements de protection comme un masque antipoussière, des chaussures antidérapantes, un casque de sécurité ou des protecteurs auditifs lorsque la situation le requiert réduira les risques de blessures corporelles.*

- c) Empêcher les démarrages intempestifs. S'assurer que l'interrupteur se trouve à la position d'arrêt avant de relier l'outil à une source d'alimentation et/ou d'insérer un bloc-piles, de ramasser ou de transporter l'outil. *Transporter un outil électrique alors que le doigt repose sur l'interrupteur ou brancher un outil électrique dont l'interrupteur est à la position de marche risque de provoquer un accident.*
 - d) Retirer toute clé de réglage ou clé standard avant de démarrer l'outil. *Une clé standard ou une clé de réglage attachée à une partie pivotante peut causer des blessures.*
 - e) Ne pas trop tendre les bras. Conserver son équilibre en tout temps. *Cela permet de mieux maîtriser l'outil électrique dans les situations imprévues.*
 - f) S'habiller de manière appropriée. Ne pas porter de vêtements amples ni de bijoux. Garder les cheveux, les vêtements et les gants à l'écart des pièces mobiles. *Les vêtements amples, les bijoux ou les cheveux longs risquent de rester coincés dans les pièces mobiles.*
 - g) Si des composants sont fournis pour le raccordement de dispositifs de dépoussiérage et de ramassage, s'assurer que ceux-ci sont bien raccordés et utilisés. *L'utilisation d'un dispositif de dépoussiérage peut réduire les dangers engendrés par les poussières.*
- 4) Utilisation et entretien d'un outil électrique
- a) Ne pas forcer un outil électrique. Utiliser l'outil électrique approprié à l'application. *L'outil électrique approprié effectuera un meilleur travail, de façon plus sûre et à la vitesse pour laquelle il a été conçu.*
 - b) Ne pas utiliser un outil électrique dont l'interrupteur est défectueux. *Tout outil électrique dont l'interrupteur est défectueux est dangereux et doit être réparé.*
 - c) Débrancher la fiche du secteur ou le bloc-piles de l'outil électrique avant de faire tout réglage ou changement d'accessoire, ou avant de ranger l'outil électrique. *Ces mesures préventives réduisent les risques de démarrage accidentel de l'outil électrique.*
 - d) Ranger les outils électriques hors de la portée des enfants, et ne permettre à aucune personne n'étant pas familière avec un outil électrique (ou son manuel d'instruction) d'utiliser ce dernier. *Les outils électriques deviennent dangereux entre les mains d'utilisateurs inexpérimentés.*
 - e) Entretien les outils électriques. Vérifier les pièces mobiles pour s'assurer qu'elles sont bien alignées et tournent librement, qu'elles sont en bon état et ne sont affectées par aucun trouble susceptible de nuire au bon fonctionnement de l'outil électrique. En cas de dommage, faire réparer l'outil électrique avant toute nouvelle utilisation. *Beaucoup d'accidents sont causés par des outils électriques mal entretenus.*
 - f) S'assurer que les outils de coupe sont aiguisés et propres. *Les outils de coupe bien entretenus et affûtés sont moins susceptibles de se coincer et sont plus faciles à contrôler.*
 - g) Utiliser l'outil électrique, les accessoires, les forets, etc. conformément aux présentes directives en tenant compte des conditions de travail et du travail à effectuer. *L'utilisation d'un outil électrique pour toute opération autre que celle pour laquelle il a été conçu est dangereuse.*
- 5) Utilisation et entretien du bloc-piles
- a) Ne recharger l'outil qu'au moyen du chargeur précisé par le fabricant. *L'utilisation d'un chargeur qui convient à un type de bloc-piles risque de provoquer un incendie s'il est utilisé avec un autre type de bloc-piles.*
 - b) Utiliser les outils électriques uniquement avec les blocs-piles conçus à cet effet. *L'utilisation de tout autre bloc-piles risque de causer des blessures ou un incendie.*
 - c) Lorsque le bloc-piles n'est pas utilisé, le tenir éloigné des objets métalliques, notamment des trombones, de la monnaie, des clés, des clous, des vis, etc., qui peuvent établir une connexion entre les deux bornes. *Le court-circuit des bornes du bloc-piles risque de provoquer des étincelles, des brûlures ou un incendie.*
 - d) En cas d'utilisation abusive, le liquide peut gicler hors du bloc-piles, éviter tout contact. Si un contact accidentel se produit, laver à grande eau. Si le liquide entre en contact avec les yeux, obtenir des soins médicaux. *Le liquide qui gicle hors du bloc-piles peut provoquer des irritations ou des brûlures.*
- 6) Réparation
- a) Faire réparer l'outil électrique par un réparateur professionnel en n'utilisant que des pièces de rechange identiques. *Cela permettra de maintenir une utilisation sécuritaire de l'outil électrique.*

Règles de sécurité spécifiques

- Porter des protecteurs auditifs si une perceuse à percussion est utilisée. Une exposition au bruit peut entraîner une perte auditive.
- Utiliser les poignées auxiliaires fournies avec l'outil. Une perte de maîtrise de l'outil

peut entraîner des blessures corporelles.

- **Saisir l'outil électrique par ses surfaces de prises isolées lorsque l'outil peut entrer en contact avec des fils cachés ou son cordon.** En cas de contact avec un fil sous tension, les pièces métalliques de l'outil seront sous tension et l'utilisateur subira des secousses électriques.
- **Lorsqu'on est installé sur une échelle ou un échafaudage pour travailler, on doit déposer l'outil sur le côté lorsqu'on ne s'en sert plus.** Bien que certains outils munis d'un gros bloc-piles puissent être placés à la verticale, dans cette position, ils peuvent facilement être renversés.
- **Utiliser des brides de fixation ou un autre dispositif de fixation permettant de fixer solidement et de soutenir la pièce sur une plateforme stable.** Tenir la pièce avec la main ou contre son corps la rend instable et risque de provoquer une perte de maîtrise de l'outil.
- **Tenir les cheveux, les vêtements et les gants loin des événements.** En effet, les événements cachent souvent des pièces mobiles qui risquent de happer ces articles.
- **Tenir fermement l'outil à deux mains.** Utiliser la poignée auxiliaire si l'outil en est muni. Sinon, saisir l'outil par le bas du bloc-piles. Une perte de maîtrise de l'outil peut entraîner des blessures.

⚠ AVERTISSEMENT : certains outils électriques, tels que les sableuses, les scies, les meules, les perceuses ou certains autres outils de construction, peuvent produire de la poussière contenant des produits chimiques reconnus par l'État de la Californie comme étant susceptibles d'entraîner le cancer, des malformations congénitales ou pouvant être nocifs pour le système reproductif. Parmi ces produits chimiques, on retrouve :

- le plomb dans les peintures à base de plomb,
- la silice cristalline dans les briques et le ciment et autres produits de maçonnerie,
- l'arsenic et le chrome dans le bois de sciage ayant subi un traitement chimique.

Le risque associé à de telles expositions varie selon la fréquence avec laquelle on effectue ces travaux. Pour réduire l'exposition à de tels produits, il faut travailler dans un endroit bien aéré et utiliser le matériel de sécurité approprié, tel un masque anti-poussières spécialement conçu pour filtrer les particules microscopiques.

- **Éviter tout contact prolongé avec la poussière soulevée par cet outil ou autres outils électriques. Porter des vêtements de protection et nettoyer les parties exposées du corps avec de l'eau savonneuse.** S'assurer de bien se protéger afin d'éviter d'absorber par la bouche, les yeux ou la peau des produits chimiques nocifs.



⚠ AVERTISSEMENT : Cet outil peut produire et répandre de la poussière susceptible de causer des dommages sérieux et permanents au système respiratoire. Toujours utiliser un appareil respiratoire anti-poussières approuvé par le NIOSH ou l'OSHA. Diriger les particules dans le sens opposé du visage et du corps.

AVERTISSEMENT : TOUJOURS porter des lunettes de sécurité. Les lunettes de vue ne constituent PAS des lunettes de sécurité. Utiliser également un masque facial ou anti-poussière si l'opération de découpe génère de la poussière. TOUJOURS PORTER UN ÉQUIPEMENT DE PROTECTION HOMOLOGUÉ :

- protection oculaire conforme à la norme ANSI Z87.1 (CAN/CSA Z94.3);
- protection auditive ANSI S12.6 (S3.19);
- protection des voies respiratoires conformes aux normes NIOSH/OSHA/MSHA.

SYMBOLES

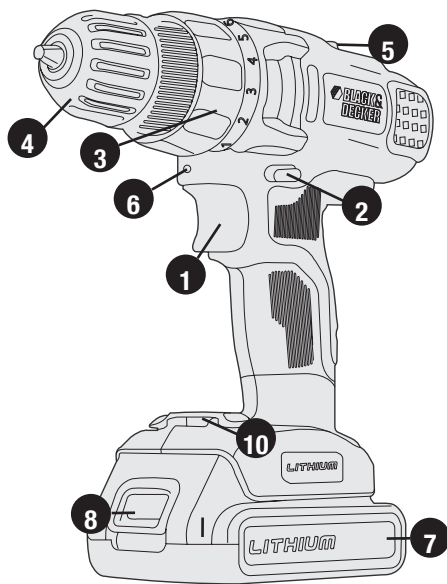
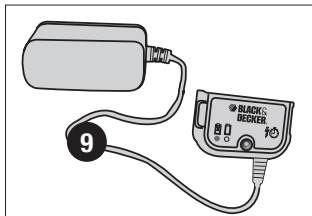
L'étiquette apposée sur votre outil pourrait comprendre les symboles suivants. Les symboles et leurs définitions sont indiqués ci-après :

V	volts.....	ampères	A
Hz	hertz	W.....
min	minutes	
==	courant continue	non.....
☐	Construction classe II	
⚠	symbole d'alerte à la

.../min or rpm ..révolutions ou alternance par minute
sécurité

DESCRIPTION FONCTIONNELLE

1. Détonne de vitesse variable
2. Bouton de marche avant/marche arrière
3. Bague de réglage du couple
4. Mandrin auto-serrant
5. Engrenage à deux vitesses
6. Lampe de travail à DEL
7. Bloc-piles
8. Bouton de dégagement du bloc-piles
9. Chargeur
10. Porte-embout de vissage



DIRECTIVES DE SÉCURITÉ IMPORTANTES POUR LES CHARGEURS DE PILES

CONSERVER CES DIRECTIVES : ce mode d'emploi comprend d'importantes directives de sécurité pour les chargeurs de piles.

- Avant d'utiliser le chargeur, lire toutes les directives et tous les avertissements figurant sur le chargeur, le bloc-piles et le produit utilisé avec le bloc-piles.

⚠ AVERTISSEMENT : risque de choc électrique. Éviter la pénétration de tout liquide dans le chargeur.

⚠ MISE EN GARDE : risque de brûlure. Pour réduire le risque de blessures, charger uniquement des piles **Black & Decker** conseillées. D'autres types de piles peuvent exploser et provoquer des blessures corporelles et des dommages.

⚠ MISE EN GARDE : dans certaines circonstances, lorsque le chargeur est branché au bloc d'alimentation, le chargeur peut être court-circuité par des corps étrangers conducteurs tels que, mais sans s'y limiter, la laine d'acier, le papier d'aluminium ou toute accumulation de particules métalliques. Ils doivent être maintenus à distance des ouvertures du chargeur. Débrancher systématiquement celui-ci si aucun bloc-piles n'y est inséré. Débrancher le chargeur avant tout nettoyage.

- **NE PAS tenter de charger le bloc-piles avec autre chose qu'un chargeur de marque.** Les chargeurs et blocs-piles sont conçus spécialement pour fonctionner ensemble.
- **Ces chargeurs ne sont pas destinés à être utilisés à d'autres fins que celles de charger les piles rechargeables conseillées Black & Decker.** Toute autre utilisation risque de provoquer un incendie, un choc électrique ou une électrocution.
- **Protéger le chargeur de la pluie et de la neige.**
- **Tirer la fiche plutôt que le cordon pour débrancher le chargeur ou pour débrancher les cordons à l'aide de la fonction de guirlande.** Cela permet de réduire le risque d'endommager la fiche ou le cordon d'alimentation.
- **S'assurer que le cordon est situé en lieu sûr de manière à ce que personne ne marche ni ne trébuche dessus ou à ce qu'il ne soit pas endommagé ni soumis à une tension.**
- **Ne pas utiliser de rallonge à moins que cela ne soit absolument nécessaire.** L'utilisation d'une rallonge inadéquate risque d'entraîner un incendie, un choc électrique ou une électrocution.

- **Pour la sécurité de l'utilisateur, utiliser une rallonge de calibre adéquat (AWG, American Wire Gauge [calibrage américain normalisé des fils]).** Plus le numéro de calibre de fil est petit et plus sa capacité est grande, par exemple un calibre 16 a plus de capacité qu'un calibre 18. Si plus d'une rallonge est utilisée pour obtenir la longueur totale,

s'assurer que chaque rallonge présente au moins le calibre de fil minimum.

Calibre de fil minimum recommandé pour les rallonges

Longueur totale de la rallonge

25 pi	50 pi	75 pi	100 pi	125 pi	150 pi	175 pi
7,6 m	15,2 m	22,9 m	30,5 m	38,1 m	45,7 m	53,3 m

Calibre AWG

18	18	16	16	14	14	12
----	----	----	----	----	----	----

- **Ne pas mettre d'objet sur le chargeur ni mettre ce dernier sur une surface souple, ce qui pourrait causer l'obstruction des fentes de ventilation et, du fait, provoquer une chaleur interne excessive. Éloigner le chargeur de toute source de chaleur. La ventilation du chargeur se fait par les fentes pratiquées dans les parties supérieures et inférieures du boîtier.**
- **Ne pas installer le chargeur sur un mur ni le fixer de manière permanente sur toute surface. Le chargeur est destiné à une utilisation sur une surface plane et stable (c.-à-d. un dessus de table ou d'établi).**
- **Ne pas faire fonctionner le chargeur si la fiche ou le cordon est endommagé; les remplacer immédiatement.**
- **Ne jamais se servir d'un chargeur qui a subi un choc violent, qui est tombé par terre ou qui est endommagé de quelque manière que ce soit. Le faire vérifier dans un centre de réparation autorisé.**
- **Ne pas démonter le chargeur; confier l'entretien ou la réparation de l'appareil à un centre de réparation autorisé. Le remontage non conforme du chargeur comporte des risques de choc électrique, d'électrocution ou d'incendie.**
- **Débrancher le chargeur avant de le nettoyer. Cela réduira le risque de choc électrique. Le risque ne sera pas éliminé en enlevant simplement le bloc-piles.**
- **NE JAMAIS relier deux chargeurs ensemble.**
- **Le chargeur est conçu pour être alimenté en courant domestique standard (120 V). Ne pas utiliser une tension supérieure pour le chargeur.**

CONSERVER CES DIRECTIVES

DIRECTIVES DE SÉCURITÉ IMPORTANTES POUR LES BLOCS-PILES

⚠ **AVERTISSEMENT :** pour un fonctionnement sûr, lire le présent mode d'emploi et les manuels fournis avec l'outil avant d'utiliser le chargeur.

Le bloc-piles n'est pas complètement chargé à la sortie de l'emballage. Avant d'utiliser le bloc-piles et le chargeur, lire les directives de sécurité ci-après. Respecter ensuite les consignes de chargement décrites.

LIRE TOUTES LES DIRECTIVES.

- **Ne pas incinérer le bloc-piles, même s'il est très endommagé ou complètement usé, car il peut exploser au contact de flammes. Des vapeurs et des matières toxiques sont dégagées lorsque les blocs-piles sont incinérés.**
- **Ne pas charger ou utiliser un bloc-piles dans un milieu déflagrant, en présence de liquides, de gaz ou de poussière inflammables. Insérer ou retirer un bloc-piles du chargeur peut enflammer de la poussière ou des émanations.**
- **Si le contenu de la pile entre en contact avec la peau, laver immédiatement la zone touchée au savon doux et à l'eau. Si le liquide de la pile entre en contact avec les yeux, rincer l'oeil ouvert à l'eau pendant 15 minutes ou jusqu'à ce que l'irritation cesse. Si des soins médicaux sont nécessaires, l'électrolyte des piles au Lithium-Ion est composé d'un mélange de carbonates organiques liquides et de sels de lithium.**
- **Le contenu des cellules de pile ouvertes peut provoquer une irritation respiratoire. Exposer la personne à de l'air frais. Si les symptômes persistent, obtenir des soins médicaux.**

⚠ **AVERTISSEMENT :** risque de brûlure. Le liquide du bloc-piles peut s'enflammer s'il est exposé à des étincelles ou à une flamme.

- **Charger les blocs-piles uniquement au moyen de chargeurs Black & Decker.**
- **NE PAS élabousser le bloc-piles ou l'immerger dans l'eau ou tout autre liquide. Cela peut entraîner une défaillance prématurée de l'élément.**
- **Ne pas ranger ni utiliser l'outil et le bloc-piles dans un endroit où la température peut atteindre ou dépasser les 40 °C (105 °F) (comme dans les remises extérieures ou les bâtiments métalliques en été).**

⚠ AVERTISSEMENT : ne jamais ouvrir le bloc-piles pour quelque raison que ce soit. Si le boîtier du bloc-piles est fissuré ou endommagé, ne pas l'insérer dans un chargeur. Ne pas écraser, faire tomber ou endommager le bloc-piles. Ne pas utiliser un bloc-piles ou un chargeur qui a reçu un choc violent, qui est tombé, a été écrasé ou est endommagé de quelque manière que ce soit (p. ex. percé par un clou, frappé d'un coup de marteau, piétiné). Les blocs-piles endommagés doivent être envoyés au centre de réparation pour être recyclés.

⚠ AVERTISSEMENT : risque d'incendie. Ne pas ranger ou transporter les piles de manière à ce que des objets métalliques puissent entrer en contact avec les bornes exposées des piles. Par exemple, ne pas mettre un bloc-piles dans un tablier, une poche, une boîte à outils, une boîte de nécessaire de produit ou un tiroir contenant des objets tels que des clous, des vis ou des clés, car tout contact accidentel entre les bornes à découvert et un objet métallique conducteur comme une clé, une pièce de monnaie, un outil à main, etc. risque de provoquer un incendie. La Hazardous Material Regulations (réglementation sur les produits dangereux) du département américain des transports interdit en fait le transport des blocs-piles pour le commerce et dans les avions (c.-à-d. dans des valises et les bagages à main) À MOINS qu'ils ne soient bien protégés contre les courts-circuits. Pour le transport de piles individuelles, on doit donc s'assurer que les bornes sont protégées et bien isolées contre toute matière pouvant entrer en contact avec elles et provoquer un court-circuit. **REMARQUE** : il ne faut pas laisser de piles au Lithium-Ion dans les bagages enregistrés.

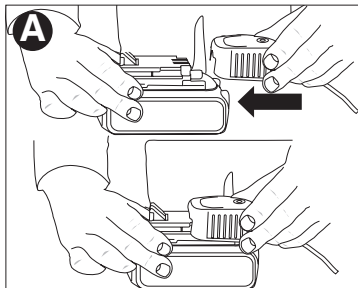
RECOMMANDATIONS EN MATIÈRE DE RANGEMENT

1. Le meilleur endroit de rangement est celui qui est frais et sec, loin de toute lumière directe du soleil et protégé d'une température extrême (chaleur ou froid).
2. Un entreposage prolongé ne nuira pas au bloc-piles ou au chargeur.

PROCÉDURE DE CHARGE

Les chargeurs **Black & Decker** sont conçus pour charger les blocs-piles **Black & Decker** dans un délai de 3 à 4 heures selon le bloc-piles à charger.

1. Brancher le chargeur dans une prise appropriée avant d'insérer le bloc-piles.
2. Insérer le bloc-piles dans le chargeur (**fig. A**).
3. Le voyant DEL vert clignotera indiquant ainsi que le bloc-piles est en cours de charge.
4. La fin de la charge est indiquée par le voyant DEL vert qui demeure allumé. Le bloc-piles est chargé à plein et peut être utilisé à ce moment-ci ou laissé sur le chargeur.



Recharger les piles épuisées aussitôt que possible après leur utilisation pour prolonger leur durée de vie. Pour préserver le plus possible la durée de vie du bloc-piles, ne pas le décharger tout à fait. Il est recommandé de recharger le bloc-piles après chaque utilisation.

BLOC-PILES LAISSÉ DANS LE CHARGEUR

Le chargeur et le bloc-piles peuvent être laissés branchés, le voyant DEL vert demeurant allumé. Le chargeur maintiendra le bloc-piles en bon état et complètement chargé.

REMARQUES IMPORTANTES POUR LE CHARGEMENT

1. Pour augmenter la durée de vie du bloc-piles et optimiser son rendement, le charger à une température entre 18 et 24 °C (65 et 75 °F). NE PAS charger le bloc-piles à des températures inférieures à 4,5 °C (40 °F) ou supérieures à 40,5 °C (105 °F). Ces consignes sont importantes et permettent d'éviter d'endommager gravement le bloc-piles.
2. Le chargeur et le bloc-piles peuvent devenir chauds au toucher pendant la charge. Il s'agit d'un état normal et cela n'indique pas un problème. Pour faciliter le refroidissement du bloc-piles après son utilisation, éviter de mettre le chargeur ou le bloc piles dans un endroit chaud comme dans une remise métallique ou une remorque non isolée.
3. Si le bloc-piles ne se charge pas adéquatement, on doit :
 - a. vérifier le courant à la prise en branchant une lampe ou un autre appareil électrique;
 - b. vérifier si la prise est reliée à un interrupteur mural qui la met hors tension lorsque la lumière sont éteinte;
 - c. déplacer le chargeur et le bloc-piles dans un endroit où la température ambiante est entre 18 et 24 °C (65 et 75 °F);
 - d. si le problème persiste, apporter ou envoyer l'outil, le bloc-piles et le chargeur au

centre de réparation de votre région.

4. Le bloc-piles doit être rechargé lorsqu'il n'arrive pas à produire suffisamment de puissance pour des travaux qui étaient facilement réalisés auparavant. **NE PAS CONTINUER** à utiliser le bloc-piles dans ces conditions. Suivre les procédures de charge. On peut également recharger à tout moment un bloc-piles partiellement déchargé sans nuire à son fonctionnement.
5. Tout corps étranger conducteur, tel que notamment la laine d'acier, le papier d'aluminium, ou toute accumulation de particules métalliques, doit être maintenu à distance des ouvertures du chargeur. Débrancher systématiquement celui-ci si aucun bloc-piles n'y est inséré. Débrancher le chargeur avant tout nettoyage.
6. Ne pas congeler le chargeur, l'immerger ans l'eau ou dans tout autre liquide.

⚠ AVERTISSEMENT : risque de choc électrique. *ne jamais ouvrir le bloc-piles pour quelque raison que ce soit. Si le boîtier en plastique du bloc-piles est brisé ou fissuré, le retourner à un centre de réparation pour qu'il soit recyclé.*

⚠ AVERTISSEMENT : de sécurité et directives : perceuses

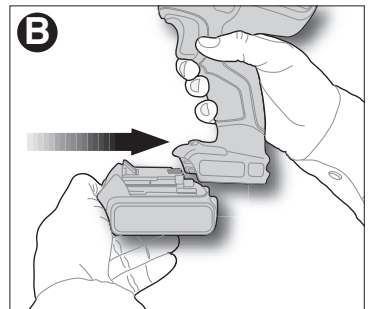
1. Tenir fermement la perceuse en saisissant la poignée d'une main et en plaçant l'autre main sur la partie inférieure du bloc-piles.
2. Lors de l'insertion d'accessoires dans le mandrin de la perceuse, serrer fermement à la main le mandrin sans clé.

⚠ AVERTISSEMENT : la perceuse pourrait se bloquer (à cause d'une surcharge ou d'une mauvaise utilisation), produisant ainsi une torsion brusque. Toujours s'attendre à un blocage. Saisir fermement la perceuse avec les deux mains afin de maîtriser le mouvement de torsion et d'éviter d'en perdre la maîtrise ce qui pourrait entraîner des blessures corporelles. En cas de blocage, relâcher la détente immédiatement et déterminer la raison du blocage avant de redémarrer.

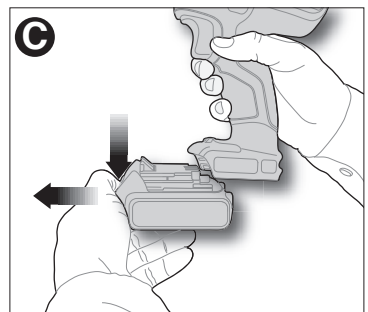
INSERTION ET RETRAIT DU BLOC-PILES DE L'OUTIL

⚠ AVERTISSEMENT : *S'assurer que le bouton de verrouillage est bien engagé pour empêcher l'utilisation de l'interrupteur lors de la pose et du retrait du bloc-piles.*

INSERTION DU BLOC-PILES : Insérer le bloc-piles dans l'outil de manière à entendre un déclic (**figure B**). S'assurer que le bloc-piles est bien logé et enclenché en place.



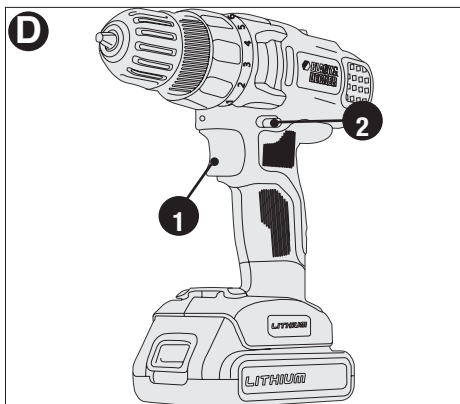
RETRAIT DU BLOC-PILES : Enfoncez le bouton de dégagement du bloc-piles, comme montré à la **figure C**, puis retirez le bloc-piles de l'outil.



DIRECTIVES D'UTILISATION

DÉTENTE ET BOUTON INVERSEUR (FIGURE D)

- La perceuse est mise en positions de MARCHÉ et d'ARRÊT en tirant et en relâchant la détente (1). Plus on enfonce la détente, plus la vitesse de la perceuse augmente.
- Un bouton de commande marche avant/marche arrière (2) détermine le sens de l'outil et sert aussi de bouton de verrouillage.
- Pour choisir une rotation en marche avant, relâcher la détente et abaisser le bouton de commande marche avant/marche arrière vers la gauche.
- Pour choisir la marche arrière, abaisser le bouton de commande marche avant/marche arrière en direction opposée.

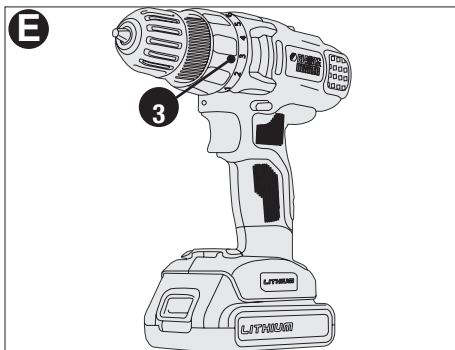


REMARQUE : la position du centre du bouton de commande verrouille l'outil en position d'arrêt. Toujours relâcher la détente avant de changer la position du bouton de commande.

RÉGLAGE DU COUPLE (FIGURE E)

L'outil est muni d'une bague (3) de réglage du couple qui permet de sélectionner le mode de travail et de régler le couple de serrage pour le serrage des vis. Les grosses vis et les pièces en matière dure exigent un couple de serrage plus élevé que les petites vis et les pièces de matières plus souples.

- Pour le perçage du bois, du métal et des plastiques, aligner la bague sur le symbole de la perceuse. 1
- Pour le vissage, aligner la bague sur la configuration voulue. Si la configuration n'est pas connue, procéder comme suit :
- Régler la bague sur le couple le plus faible.
- Serrer la première vis.
- Si l'embrayage émet des « cliquetis » avant l'obtention du résultat voulu, augmenter le réglage de la bague et poursuivre le vissage. Répéter la procédure jusqu'à l'obtention du bon réglage. Utiliser la configuration obtenue pour les autres vis.



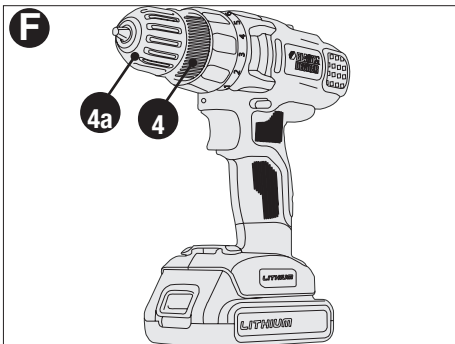
MANDRIN SANS CLÉ (FIGURE F)

⚠ AVERTISSEMENT : S'assurer que le bouton de verrouillage est bien engagé pour empêcher l'activation de la détente lors de la pose ou de la dépose d'accessoires.

Pour insérer une mèche ou autre accessoire :

1. Saisir la partie inférieure du mandrin (4a) avec une main et utiliser l'autre pour faire tourner la partie supérieure du mandrin en sens antihoraire, si vous regardez la perceuse par le mandrin.
2. Insérer complètement la mèche ou tout autre accessoire dans le mandrin et resserrer fermement en retenant la partie inférieure du mandrin et en faisant tourner sa partie supérieure en sens horaire, si vous regardez la perceuse, par le mandrin.

⚠ AVERTISSEMENT : ne pas essayer de resserrer les mèches (ou tout autre accessoire) en saisissant la partie avant du mandrin et en mettant l'outil en marche. Lors du changement d'accessoires, il y a risque d'endommager le mandrin et d'entraîner des blessures corporelles.

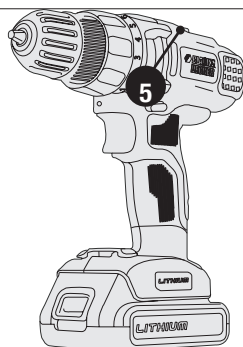


Engrenage à deux vitesses (FIGURE G)

La caractéristique de vitesse double de la perceuse permet de changer d'engrenage de vitesse, pour une polyvalence accrue. Pour sélectionner la basse vitesse, réglage de couple élevé (position 1), éteindre l'outil et le laisser s'arrêter. Coulisser le bouton de changement de rapport (5) loin du mandrin. Pour sélectionner la vitesse élevée, réglage de couple faible (position 2), éteindre l'outil et le laisser s'arrêter. Coulisser le bouton de changement de rapport en direction du mandrin.

REMARQUE : ne pas changer de rapport lorsque l'outil fonctionne. En cas de difficulté à changer de rapport, s'assurer que le bouton soit complètement avancé ou reculé.

G



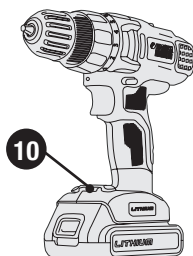
VISSAGE

Pour visser des attaches, pousser le bouton de marche arrière vers la gauche. Utiliser la marche arrière (le bouton poussé à droite) pour retirer les attaches. Lors de la permutation entre la marche avant et la marche arrière, ou vice versa, s'assurer de relâcher d'abord la détente.

RANGEMENT INTÉGRÉ DES MÈCHES (FIGURE H)

Il existe une rainure pour le rangement des mèches (10) juste au-dessus du bloc-piles.

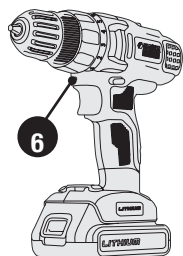
H



Lampe de travail à DEL (FIGURE I)

Lorsque la perceuse est actionnée en tirant sur la détente (1), la lampe de travail à DEL (6) intégrée s'allumera automatiquement. Ne pas utiliser la lampe de travail à DEL comme lampe de poche.

I



PERÇAGE

- N'utiliser que des forets bien affûtés.
- Veiller à ce que la pièce à percer soit solidement retenue ou fixée en place, selon les mesures de sécurité.
- Porter l'équipement de sécurité approprié et requis, selon les mesures de sécurité.
- Rendre la zone de travail sûre et en assurer l'entretien, selon les mesures de sécurité.
- Actionner la perceuse à basses vitesses en exerçant une pression minimale jusqu'à ce que le trou soit suffisamment percé afin d'empêcher le glissement du foret hors du trou.
- Toujours exercer la pression en ligne directe avec le foret. N'user que de la force nécessaire pour que le foret continue de percer; éviter de trop forcer, ce qui pourrait faire étouffer le moteur ou dévier le foret.
- **Bien saisir la perceuse afin de maîtriser son effet de torsion.**
- **NE PAS ACTIONNER À PLUSIEURS REPRISES LA DÉTENTE D'UNE PERCEUSE BLOQUÉE DANS LE BUT DE LA DÉCOINCER AU RISQUE DE L'ENDOMMAGER.**
- Réduire la pression exercée sur l'outil et le foret vers la fin de la course afin d'éviter que le moteur ne cale en traversant le matériau.
- Laisser le moteur en marche lorsqu'on retire le foret du trou afin d'en prévenir le coincement.
- **S'assurer que l'interrupteur met l'outil en marche et qu'il l'arrête.**

PERÇAGE DU BOIS

On peut percer le bois au moyen des mèches hélicoïdales qu'on utilise pour le métal ou de mèches à vrille. On doit utiliser des mèches bien aiguisées et les sortir fréquemment pour enlever les copeaux restés coincés dans les cannelures.

PERÇAGE DU MÉTAL

Utiliser une huile de coupe lorsqu'on perce des métaux, à l'exception de la fonte et du laiton, car ces derniers doivent être percés à sec. Pour cette tâche, les meilleurs lubrifiants sont l'huile sulfurée et l'huile de lard.

PERÇAGE DE LA MAÇONNERIE

Utiliser des mèches à pointe carburée (voir la section « Mode perçage »). Maintenir une pression uniforme sur la perceuse, sans trop forcer pour éviter de fissurer les matériaux plus cassants. La vitesse choisie est appropriée lorsque la poussière est soulevée uniformément et régulièrement.

ENTRETIEN

Nettoyer l'outil seulement à l'aide d'un savon doux et d'un linge humide. Ne laisser aucun liquide s'infiltrer dans l'outil et ne jamais immerger l'outil.

IMPORTANT : Pour assurer la SÉCURITÉ D'EMPLOI et la FIABILITÉ de l'outil, n'en confier la réparation, l'entretien et les rajustements qu'à un centre de service ou à un atelier d'entretien autorisé n'utilisant que des pièces de rechange identiques.

DÉPANNAGE

Problème

• L'appareil refuse de démarrer.

• Le bloc-piles ne se charge pas.

• L'appareil s'éteint soudainement.

Cause possible

• Mauvaise installation du bloc-piles.
• Bloc-piles non chargée.

• Bloc-piles non insérée dans le chargeur.
• Chargeur non branché.

• Température ambiante trop chaude ou froide.

• Le bloc-piles a atteint sa limite thermique maximale.
• Bloc-piles épuisé. **(Pour maximiser la durée de vie du bloc-piles, celui-ci est conçu pour s'éteindre soudainement lorsqu'il est épuisé.)**

Solution possible

• Vérifier l'installation du bloc-piles.

• Vérifier les exigences de charge pour le bloc-piles.
• Insérer le bloc-piles dans le chargeur de sorte que le voyant DEL vert apparaisse.

• Brancher le chargeur dans une prise qui fonctionne. Se reporter à la rubrique « Remarques importantes de chargement » pour plus de renseignements.

• Déplacer le chargeur et l'outil à une température ambiante de plus de 4.5 °C (40 °F) ou sous les 40.5 °C (105 °F).

• Laisser le bloc-piles refroidir.

• Placer dans le chargeur le temps d'une charge.

Pour de l'aide avec l'outil, consulter notre site Web www.blackanddecker.com pour l'emplacement du centre de réparation le plus près ou communiquer avec l'assistance BLACK & DECKER au 1-800-544-6986.

Accessoires

Les détaillants et le centre de service de la région vendent les accessoires recommandés pour l'outil. Pour trouver un accessoire, composer le **1 800 544-6986**.

⚠ AVERTISSEMENT : L'utilisation de tout accessoire non recommandé pour l'outil peut être dangereuse.

LE SCEAU RBRC^{MC}

Le sceau SRPRC^{MC} (Société de Recyclage des Piles Rechargeables au Canada) sur la pile lithium-ion (ou sur le bloc-piles) indique que son coût de recyclage (ou celui du bloc-piles) à la fin de sa vie utile sera payé par Black & Decker. Dans certaines régions, il est illégal de jeter les piles lithium-ion dans les poubelles ou dans le système municipal d'évacuation des résidus solides. Le programme RBRC représente donc une alternative sensibilisée à l'environnement.

La SRPRC en collaboration avec Black & Decker et d'autres utilisateurs de piles ont établi aux États-Unis et au Canada des programmes facilitant la cueillette des piles lithium-ion épuisées. Aidez-nous à protéger l'environnement et à conserver nos ressources naturelles en retournant l'outil à un centre de réparation Black & Decker pour qu'elles soient recyclées. Vous pouvez aussi communiquer avec votre centre local de recyclage qui vous fera part du lieu de disposition de vos batteries épuisées ou composer le numéro **1-800-8-BATTERY**.



Cet appareil numérique de la classe B est conforme à la norme NMB-003 du Canada.

Cet appareil est conforme aux dispositions du paragraphe 15 des règlements de la FCC. Son fonctionnement est régi par les deux conditions suivantes : (1) Cet appareil ne peut pas causer d'interférence nuisible et (2) cet appareil doit accepter toutes les interférences reçues, y compris celles qui risquent d'en gêner le fonctionnement.

RÉMARQUE : ce matériel a été testé et a été déclaré conforme aux limites en vigueur concernant les dispositifs numériques de classe B, en vertu de la partie 15 de la réglementation FCC. Ces limites visent à assurer une protection raisonnable contre tout brouillage nuisible dans une installation résidentielle. Ce matériel produit, consomme et peut émettre une énergie de radiofréquence et, s'il n'est pas installé et utilisé conformément aux directives qui l'accompagnent, il peut entraîner un brouillage nuisible des communications radio. Cependant, nous ne garantissons pas l'absence de brouillage dans tous les types d'environnement. Si, après avoir effectué une vérification en mettant l'appareil hors tension puis sous tension, l'utilisateur s'aperçoit que ce matériel provoque un brouillage nuisible à la réception des signaux de radio ou de télévision, il lui faudra essayer de corriger ce brouillage en prenant une ou plusieurs des mesures ci-dessous :

- Réorienter ou repositionner l'antenne de réception.
- Éloigner le plus possible le matériel du récepteur.
- Brancher le matériel dans une prise électrique située sur un circuit différent de celui du récepteur.

• Consulter le distributeur ou un technicien radio/télévision expérimenté pour obtenir de l'aide.

Tout changement ou toute modification à cet appareil qui n'est pas expressément approuvé par l'institution responsable de la conformité peut faire annuler le droit de l'utilisateur d'utiliser ce matériel. Cet appareil numérique de la classe B est conforme à la norme NMB-003 du Canada.

INFORMATION SUR LES RÉPARATIONS

Tous les centres de réparation Black & Decker sont dotés de personnel qualifié en matière d'outillage électrique; ils sont donc en mesure d'offrir à leur clientèle un service efficace et fiable. Que ce soit pour un avis technique, une réparation ou des pièces de rechange authentiques installées en usine, communiquer avec l'établissement Black & Decker le plus près de chez vous. Pour trouver l'établissement de réparation de votre région, consulter le répertoire des Pages jaunes à la rubrique « Outils électriques » ou composer le numéro suivant : **1-800-544-6986** ou consulter le site **www.blackanddecker.com**

GARANTIE COMPLÈTE DE DEUX ANS POUR UNE UTILISATION DOMESTIQUE

Black & Decker (É.-U.) Inc. garantit ce produit pour une durée de deux ans contre tout défaut de matériau ou de fabrication. Le produit défectueux sera remplacé ou réparé sans frais de l'une des deux façons suivantes :

La première façon consiste en un simple échange chez le détaillant qui l'a vendu (pourvu qu'il s'agisse d'un détaillant participant). Tout retour doit se faire durant la période correspondant à la politique d'échange du détaillant (habituellement, de 30 à 90 jours après l'achat). Une preuve d'achat peut être requise. Vérifier auprès du détaillant pour connaître sa politique concernant les retours hors de la période définie pour les échanges.

La deuxième option est d'apporter ou d'envoyer le produit (transport payé d'avance) à un centre de réparation autorisé ou à un centre de réparation de Black & Decker pour faire réparer ou échanger le produit, à notre discrétion. Une preuve d'achat peut être requise. Les centres Black & Decker et les centres de service autorisés sont répertoriés dans les pages jaunes, sous la rubrique « Outils électriques ».

Cette garantie ne s'applique pas aux accessoires. Cette garantie vous accorde des droits légaux spécifiques et vous pourriez avoir d'autres droits qui varient d'un État ou d'une province à l'autre. Pour toute question, communiquer avec le directeur du centre de réparation Black & Decker le plus près de chez vous. Ce produit n'est pas destiné à un usage commercial.

REPLACEMENT GRATUIT DES ÉTIQUETTES D'AVERTISSEMENT : si les étiquettes d'avertissement deviennent illisibles ou sont manquantes, composer le **1-800-544-6986** pour en obtenir le remplacement gratuit.

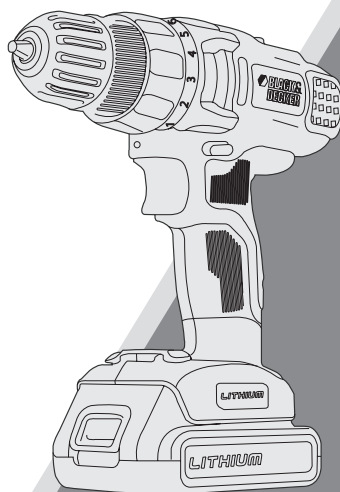
Imported by / Importé par
Black & Decker Canada Inc.
100 Central Ave.
Brockville (Ontario) K6V 5W6

Voir la rubrique
“Outils électriques”
des Pages Jaunes
pour le service et les ventes.





TALADRO INALÁMBRICO DE 20V MÁX* MANUAL DE INSTRUCCIONES



**CATÁLOGO N°
LDX220 (20V MAX*)**

LEA EL MANUAL ANTES DE DEVOLVER ESTE PRODUCTO POR CUALQUIER MOTIVO:
Si tiene una consulta o algún inconveniente con su producto Black & Decker, visite <http://www.blackanddecker.com/instantanswers> para obtener respuestas instantáneas las 24 horas del día.
Si no encuentra la respuesta o no tiene acceso a Internet, llame al 1-800-544-6986 de lunes a viernes de 8 a. m. a 5 p. m. hora del Este para hablar con un agente.
Cuando llame, tenga a mano el número de catálogo.

**CONSERVE ESTE MANUAL PARA FUTURAS CONSULTAS.
SÓLO PARA USO DOMÉSTICO.**

*El máximo voltaje inicial del paquete de baterías (medido sin una carga de trabajo) es 20 voltios.
La tensión nominal es de 18.

PAUTAS DE SEGURIDAD/DEFINICIONES

Es importante que lea y comprenda este manual. La información que contiene se relaciona con la protección de SU SEGURIDAD y la PREVENCIÓN DE PROBLEMAS. Los símbolos que siguen se utilizan para ayudarlo a reconocer esta información.

- ⚠ **PELIGRO:** indica una situación de peligro inminente que, si no se evita, provocará la muerte o lesiones graves.
 - ⚠ **ADVERTENCIA:** indica una situación de peligro potencial que, si no se evita, provocará la muerte o lesiones graves.
 - ⚠ **PRECAUCIÓN:** indica una situación de peligro potencial que, si no se evita, provocará lesiones leves o moderadas.
- PRECAUCION:** utilizado sin el símbolo de alerta de seguridad indica una situación de peligro potencial que, si no se evita, puede provocar daños en la propiedad.

Advertencias generales de seguridad para herramientas eléctricas

- ⚠ **ADVERTENCIA:** Lea todas las advertencias de seguridad e instrucciones. El incumplimiento de las advertencias e instrucciones puede provocar descargas eléctricas, incendios o lesiones graves.

Conserve todas las advertencias e instrucciones para futuras consultas.

El término "herramienta eléctrica" incluido en las advertencias hace referencia a las herramientas eléctricas operadas con corriente (con cable eléctrico) o a las herramientas eléctricas operadas con baterías (inalámbricas).

1) Seguridad en el área de trabajo

- a) **Mantenga el área de trabajo limpia y bien iluminada.** *Las áreas abarrotadas y oscuras propician accidentes.*
- b) **No opere herramientas eléctricas en atmósferas explosivas, como ambientes donde se encuentran líquidos, gases o polvo inflamables.** *Las herramientas eléctricas originan chispas que pueden encender el polvo o los vapores.*
- c) **Mantenga a los niños y espectadores alejados de la herramienta eléctrica en funcionamiento.** *Las distracciones pueden provocar la pérdida de control.*

2) Seguridad eléctrica

- a) **Los enchufes de la herramienta eléctrica deben adaptarse al tomacorriente. Nunca modifique el enchufe de ninguna manera. No utilice ningún enchufe adaptador con herramientas eléctricas con conexión a tierra.** *Los enchufes no modificados y que se adaptan a los tomacorrientes reducirán el riesgo de descarga eléctrica.*
- b) **Evite el contacto corporal con superficies puestas a tierra, como por ejemplo tuberías, radiadores, rangos y refrigeradores.** *Existe mayor riesgo de descarga eléctrica si su cuerpo está puesto a tierra.*
- c) **No exponga las herramientas eléctricas a la lluvia o a condiciones de humedad.** *Si ingresa agua a una herramienta eléctrica, aumentará el riesgo de descarga eléctrica.*
- d) **No maltrate al cable. Nunca utilice el cable para transportar, tirar o desenchufar la herramienta eléctrica. Mantenga el cable lejos del calor, aceite, bordes afilados o piezas móviles.** *Los cables dañados o enredados aumentan el riesgo de descarga eléctrica.*
- e) **Al operar una herramienta eléctrica en el exterior, utilice un cable prolongador adecuado para tal uso.** *Utilice un cable adecuado para uso en exteriores a fin de reducir el riesgo de descarga eléctrica.*
- f) **Si el uso de una herramienta eléctrica en un lugar húmedo es imposible de evitar, utilice un suministro protegido con un interruptor de circuito por falla a tierra (GFCI).** *El uso de un GFCI reduce el riesgo de descargas eléctricas.*

3) Seguridad personal

- a) **Permanezca alerta, controle lo que está haciendo y utilice el sentido común cuando emplee una herramienta eléctrica.** *No utilice una herramienta eléctrica si está cansado o bajo el efecto de drogas, alcohol o medicamentos. Un momento de descuido mientras se opera una herramienta eléctrica puede provocar lesiones personales graves.*
- b) **Utilice equipos de protección personal. Siempre utilice protección para los ojos.** *En las condiciones adecuadas, el uso de equipos de protección, como máscaras para polvo, calzado de seguridad antideslizante, cascos o protección auditiva, reducirá las lesiones personales.*
- c) **Evite el encendido por accidente. Asegúrese de que el interruptor esté en la posición de apagado antes de conectarlo a la fuente de energía o paquete de baterías, o antes de levantar o transportar la herramienta.** *Transportar herramientas eléctricas con el dedo apoyado en el interruptor o enchufar herramientas eléctricas con el interruptor en la posición de encendido puede propiciar accidentes.*

- d) **Retire las clavijas de ajuste o llaves de tuercas antes de encender la herramienta eléctrica.** *Una llave de tuercas o una clavija de ajuste que se deje conectada a una pieza giratoria de la herramienta eléctrica pueden provocar lesiones personales.*
- e) **No se estire.** *Conserve el equilibrio adecuado y manténgase parado correctamente en todo momento. Esto permite un mejor control de la herramienta eléctrica en situaciones inesperadas.*
- f) **Use la vestimenta adecuada. No use ropas holgadas ni joyas. Mantenga el cabello, la ropa y los guantes alejados de las piezas en movimiento.** *Las ropas holgadas, las joyas o el cabello largo pueden quedar atrapados en las piezas en movimiento.*
- g) **Si se suministran dispositivos para la conexión de accesorios con fines de recolección y extracción de polvo, asegúrese de que estén conectados y que se utilicen correctamente.** *El uso de dispositivos de recolección de polvo puede reducir los peligros relacionados con el polvo.*
- 4) Uso y mantenimiento de la herramienta eléctrica**
- a) **No fuerce la herramienta eléctrica. Utilice la herramienta eléctrica correcta para el trabajo que realizará.** *La herramienta eléctrica correcta hará el trabajo mejor y más seguro a la velocidad para la que fue diseñada.*
- b) **No utilice la herramienta eléctrica si no puede encenderla o apagarla con el interruptor.** *Toda herramienta eléctrica que no puede ser controlada mediante el interruptor es peligrosa y debe ser reparada.*
- c) **Desconecte el enchufe de la fuente de energía y/o el paquete de baterías de la herramienta eléctrica antes de realizar ajustes, cambiar accesorios o almacenar herramientas eléctricas.** *Estas medidas de seguridad preventivas reducen el riesgo de encender la herramienta eléctrica en forma accidental.*
- d) **Guarde las herramientas eléctricas que no están en uso fuera del alcance de los niños y no permite que otras personas no familiarizadas con ella o con estas instrucciones operen la herramienta.** *Las herramientas eléctricas son peligrosas en las manos de usuarios no entrenados.*
- e) **Mantenimiento de las herramientas eléctricas. Controle que no haya piezas móviles mal alineadas o trabadas, piezas rotas y toda otra situación que pueda afectar el funcionamiento de las herramientas eléctricas. Si encuentra daños, haga reparar la herramienta eléctrica antes de utilizarla.** *Se producen muchos accidentes a causa de las herramientas eléctricas que carecen de un mantenimiento adecuado.*
- f) **Mantenga las herramientas de corte afiladas y limpias.** *Las herramientas de corte con mantenimiento adecuado, con los bordes de corte afilados son menos propensas a trabarse y son más fáciles de controlar.*
- g) **Utilice la herramienta eléctrica, los accesorios y las brocas de la herramienta, etc. de acuerdo con estas instrucciones y teniendo en cuenta las condiciones de trabajo y el trabajo que debe realizarse.** *El uso de la herramienta eléctrica para operaciones diferentes de aquellas para las que fue diseñada podría originar una situación peligrosa.*
- 5) Uso y mantenimiento de la herramienta con baterías**
- a) **Recargue solamente con el cargador especificado por el fabricante.** *Un cargador adecuado para un tipo de paquete de baterías puede originar riesgo de incendio si se utiliza con otro paquete de baterías.*
- b) **Utilice herramientas eléctricas sólo con paquetes de baterías específicamente diseñados.** *El uso de cualquier otro paquete de baterías puede producir riesgo de incendio y lesiones.*
- c) **Cuando no utilice el paquete de baterías, manténgalo lejos de otros objetos metálicos como sujetapapeles, monedas, llaves, clavos, tornillos u otros objetos metálicos pequeños que puedan realizar una conexión desde un terminal al otro.** *Los cortocircuitos en los terminales de la batería pueden provocar quemaduras o incendio.*
- d) **En condiciones abusivas, el líquido puede ser expulsado de la batería. Evite su contacto. Si entra en contacto accidentalmente, enjuague con agua. Si el líquido entra en contacto con sus ojos, busque atención médica. El líquido expulsado de la batería puede provocar irritación o quemaduras.**
- 6) Mantenimiento**
- a) **Haga que una persona de reparaciones calificada realice el mantenimiento de su herramienta eléctrica y utilice piezas de repuesto idénticas solamente.** *Esto garantizará la seguridad de la herramienta eléctrica.*

Normas de seguridad específicas

- **Utilice protectores auditivos con los taladros de impacto.** La exposición al ruido puede ocasionar la pérdida de la audición.
- **Use los mangos auxiliares que se suministran con la herramienta.** La pérdida del control podría ocasionar lesiones personales.
- **Sujete la herramienta eléctrica por las superficies aislantes cuando realice una operación en que la herramienta pueda hacer contacto con cableados ocultos.** Al

hacer contacto con un cable “vivo”, las partes metálicas de la herramienta se vuelven “vivas” y pueden originar un choque al operador.

- **Cuando trabaje en una escalera o una plataforma asegúrese de dejar la herramienta de lado cuando no la use.** Algunas herramientas con baterías grandes se paran sobre su base, pero se pueden volcar fácilmente.
- **Utilice abrazaderas u otra forma práctica para asegurar y sostener la pieza de trabajo sobre una plataforma estable.** Sostener el trabajo con la mano o contra el cuerpo no brinda la estabilidad requerida y puede llevar a la pérdida del control.
- **Mantenga el cabello, la ropa y los guantes alejados de los orificios de ventilación.** Los orificios de ventilación suelen cubrir piezas móviles donde estos elementos se pueden enganchar.
- **Sostenga la herramienta firmemente con ambas manos.** Utilice el mango auxiliar, en caso de tenerlo. Si no tiene mango auxiliar, agarre la herramienta por la parte inferior de la batería. La pérdida del control podría ocasionar lesiones personales.

⚠ ADVERTENCIA: parte del polvo producido por las herramientas eléctricas al lijar, aserrar, esmerilar, taladrar y realizar otras actividades de la construcción, contiene productos químicos reconocidos por el Estado de California como causantes de cáncer, defectos de nacimiento u otros problemas reproductivos. Algunos de estos productos químicos son:

- el plomo de las pinturas de base plomo,
- la sílice cristalina de ladrillos, el cemento y otros productos de mampostería, y
- el arsénico y el cromo de la madera con tratamiento químico.

El riesgo derivado de estas exposiciones varía según la frecuencia con la que se realice este tipo de trabajo. Para reducir la exposición a estos productos químicos: trabaje en áreas bien ventiladas y trabaje con equipos de seguridad aprobados, como las máscaras para polvo especialmente diseñadas para filtrar las partículas microscópicas.

- **Evite el contacto prolongado con el polvo proveniente del lijado, aserrado, amolado y taladrado eléctrico y otras actividades de construcción. Use vestimenta protectora y lave todas las áreas expuestas con agua y jabón.** De entrar polvo en sus ojos, boca, o que este permanezca sobre su piel puede promover la absorción de químicos dañinos.

⚠ ADVERTENCIA: El uso de esta herramienta puede generar y/o dispersar el polvo, el cual puede ocasionar lesión respiratoria u otro tipo de lesión grave y permanente. Utilice siempre protección respiratoria NIOSH/OSHA apropiada para la exposición al polvo. Dirija las partículas lejos de su cara o su cuerpo.





⚠ ADVERTENCIA: USE SIEMPRE LENTES DE SEGURIDAD. Los anteojos de uso diario NO son lentes de seguridad. Utilice también máscaras faciales o para polvo si el corte produce polvillo. UTILICE SIEMPRE EQUIPOS DE SEGURIDAD CERTIFICADOS:

- Protección para los ojos según la norma ANSI Z87.1 (CAN/CSA Z94.3)
- Protección auditiva según la norma ANSI S12.6 (S3.19)
- Protección respiratoria según las normas NIOSH/OSHA/MSHA

CONSERVE LAS INSTRUCCIONES

SÍMBOLOS

La etiqueta de su herramienta puede incluir los siguientes símbolos. Los símbolos y sus definiciones son los siguientes:

V	voltios..amperios	A	
Hz.....	hertz	W.....vatios	
min	minutos	corriente alterna	
— — —	corriente continua	n _ono velocidad sin carga	
	Construcción de clase II		terminal a tierra
	símbolo de alerta de	...min or rpm	revoluciones o reciprocidad por minuto
	seguridad		

INSTRUCCIONES DE SEGURIDAD IMPORTANTES PARA LOS CARGADORES DE BATERÍAS

CONSERVE ESTAS INSTRUCCIONES: Este manual contiene instrucciones de seguridad importantes para los cargadores de baterías.

- Antes de utilizar el cargador, lea todas las instrucciones y las prevenciones en el cargador,

en el paquete de baterías y en el producto que utiliza el paquete de baterías.

- ⚠ **ADVERTENCIA: Riesgo de descarga eléctrica.** No permita que ningún líquido entre en el cargador.
- ⚠ **PRECAUCIÓN: Riesgo de quemaduras.** Para reducir el riesgo de lesiones, cargue solamente baterías **Black & Decker**. Otros tipos de baterías pueden estallar y provocar daños personales y materiales.
- ⚠ **PRECAUCIÓN:** En determinadas circunstancias, con el cargador enchufado en el tomacorriente, algunos materiales extraños pueden provocar un cortocircuito en el cargador. Se deben mantener lejos de las cavidades del cargador los materiales extraños de naturaleza conductora, entre los que se incluyen la lana de acero, el papel de aluminio o cualquier acumulación de partículas metálicas. Éstos son sólo algunos ejemplos y no constituyen una lista taxativa. Siempre desenchufe el cargador del tomacorriente cuando no haya un paquete de baterías en la cavidad. Desenchufe el cargador antes de intentar limpiarlo.
- **NO intente cargar el paquete de baterías con otros cargadores que no sean de la marca. Los cargadores y los paquetes de baterías están diseñados específicamente para trabajar juntos.**
- **Estos cargadores están diseñados para utilizarse exclusivamente con las baterías recargables Black & Decker designadas. Otros usos pueden provocar riesgo de incendio, descarga eléctrica o electrocución.**
- **No exponga el cargador a la lluvia ni a la nieve.**
- **Para desconectar el cargador o los cables para cadena de margarita, tire del enchufe en lugar del cable. Esto reducirá el riesgo de dañar el enchufe o el cable.**
- **Asegúrese de que el cable esté ubicado de modo que no lo pise o se tropiece con él y que no esté sujeto a daños o tensiones de alguna otra forma.**
- **No utilice un cable prolongador a menos que sea absolutamente necesario. El uso de un cable prolongador incorrecto puede provocar riesgo de incendio, descarga eléctrica o electrocución.**
- **Para garantizar la seguridad, un cable prolongador debe tener un tamaño de cable adecuado (AWG o Calibre de conductor de Estados Unidos). Cuanto más pequeño sea el número de calibre del conductor, mayor será la capacidad del cable; es decir, un calibre 16 tiene más capacidad que un calibre 18. Cuando se utiliza más de una prolongación para lograr la longitud total, asegúrese de que cada prolongación tenga la medida mínima del conductor.**

Tamaño mínimo recomendado del conductor para los cables de extensión

Longitud total del cable

25 pies	50 pies	75 pies	100 pies	125 pies	150 pies	175 pies
7.6 m	15.2 m	22.9 m	30.5 m	38.1 m	45.7 m	53.3 m

Tamaño AWG del conductor

18	18	16	16	14	14	12
----	----	----	----	----	----	----

- **No coloque objetos en la parte superior del cargador ni coloque el cargador en una superficie blanda que pueda bloquear las ranuras de ventilación y provocar un calor interno excesivo. Coloque el cargador en una posición alejada de cualquier fuente de calor.** El cargador se ventila a través de ranuras en la parte superior e inferior de la cubierta.
- **No monte el cargador en la pared ni lo instale en forma permanente sobre ninguna superficie.** El cargador está diseñado para ser utilizado sobre una superficie plana y estable (p. ej., un banco o una mesa).
- **No opere el cargador con cables o enchufes dañados: reemplácelos de inmediato.**
- **No opere el cargador si éste ha recibido un golpe fuerte, se ha caído, o se ha dañado de cualquier otra manera. Llévelo a un centro de mantenimiento autorizado.**
- **No desarme el cargador; llévelo a un centro de mantenimiento autorizado cuando se requiera mantenimiento o una reparación. El armado incorrecto puede implicar un riesgo de descarga eléctrica, electrocución o incendio.**
- **Antes de limpiarlo, desconecte el cargador del tomacorriente.** Esto reducirá el riesgo de descarga eléctrica. Quitar el paquete de baterías no reducirá este riesgo.
- **NUNCA intente conectar 2 cargadores juntos.**
- **El cargador está diseñado para operar con corriente eléctrica doméstica estándar (120 voltios). No intente utilizarlo con otro voltaje.**

CONSERVE ESTAS INSTRUCCIONES

INSTRUCCIONES DE SEGURIDAD IMPORTANTES PARA LOS PAQUETES DE BATERÍAS

⚠ ADVERTENCIA: Para un funcionamiento seguro, lea éste y todos los manuales de instrucciones incluidos con la herramienta antes de usar el cargador.

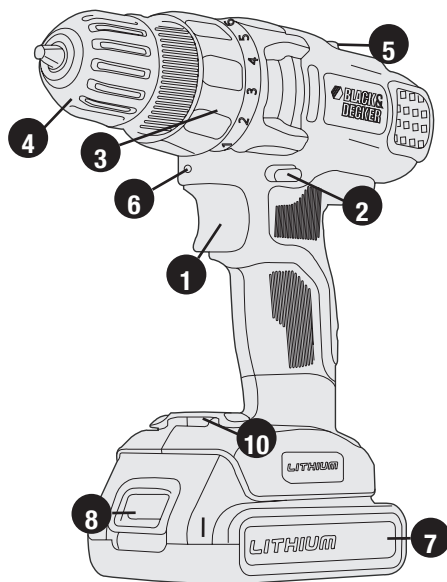
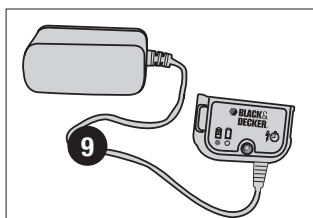
El paquete de baterías incluido en la caja no está completamente cargado. Antes de utilizar el paquete de baterías y el cargador, lea las instrucciones de seguridad a continuación. Luego siga los procedimientos de carga descritos.

LEA TODAS LAS INSTRUCCIONES

- **No incinere el paquete de baterías, aun si tiene daños importantes o está completamente desgastado.** El paquete de baterías puede explotar en el fuego. Cuando se queman paquetes de baterías, se generan vapores y materiales tóxicos.
 - **No cargue ni use la batería en atmósferas explosivas, como ambientes en los que hay líquidos, gases o polvo inflamables.** Insertar o retirar la batería del cargador puede encender el polvo o los vapores.
 - **Si el contenido de las baterías entra en contacto con la piel, lave el área de inmediato con agua y jabón suave.** Si el líquido de la batería entra en contacto con los ojos, enjuague con agua manteniendo los ojos abiertos durante 15 minutos o hasta que la irritación cese. Si se necesita atención médica, el electrolito de las baterías de Lithium-Ion contiene una mezcla de carbonatos orgánicos líquidos y sales de litio.
 - **El contenido de las células de la batería abierta puede generar irritación respiratoria.** Respire aire fresco. Si los síntomas persisten, busque atención médica.
- ⚠ ADVERTENCIA: Peligro de quemaduras.** El líquido de la batería puede encenderse si se expone a chispas o llamas.
- Cargue los paquetes de baterías sólo con cargadores de **Black & Decker**.
 - **NO salpique o sumerja en agua u otros líquidos.** Esto puede causar una falla prematura de las células.
 - **No almacene ni utilice la herramienta y el paquete de baterías en lugares en los que la temperatura pueda alcanzar o superar los 40 °C (105 °F) (como en toldos al aire libre o construcciones de metal en verano).**

FUNCTIONAL DESCRIPTION

1. Interruptor de velocidad variable
2. Botón de avance/reversa
3. Anillo de ajuste de torsión
4. Portabrocas sin llave
5. Engranaje de doble alcance
6. Luz de trabajo de LED
7. Batería
8. Botón de liberación de la batería
9. Cargador
10. Sujetador para puntas de destornillador



⚠ ADVERTENCIA: Nunca intente abrir el paquete de baterías por ningún motivo. Si la caja del paquete de baterías está agrietada o dañada, no la introduzca en el cargador. No comprima, deje caer ni dañe el paquete de baterías. No utilice un paquete de baterías o un cargador que haya recibido un golpe fuerte, se haya caído, esté agotado o dañado de alguna forma (por ejemplo, perforado con un clavo, golpeado con un martillo, pisado). Los paquetes de baterías dañados deben devolverse al centro de mantenimiento para su reciclado.

⚠ ADVERTENCIA: Riesgo de incendio. No guarde o transporte la batería de ninguna manera que permita que los terminales expuestos de la batería entren en contacto con objetos metálicos. Por ejemplo, no coloque la batería en delantales, bolsillos, cajas de herramientas, cajas de juegos de productos, cajones, etc. con clavos, llaves, tornillos sueltos, etc. Transportar baterías puede provocar incendios si los terminales de la batería entran en contacto accidentalmente con materiales conductores como llaves, monedas, herramientas de mano u objetos similares. Las Normas para Materiales Peligrosos del Departamento de Transporte de los EE.UU. (HMR) concretamente prohíben transportar baterías comercialmente o en aviones (es decir, empacadas en maletas y equipaje de mano) A MENOS que estén debidamente protegidas de cortocircuitos. Por lo tanto, cuando transporte baterías individuales, asegúrese de que los terminales de la batería estén protegidos y bien aislados de materiales que puedan hacer contacto y causar un cortocircuito. **NOTA: Las baterías de iones de Lithium-Ion no deben colocarse dentro del equipaje registrado.**

RECOMENDACIONES CON RESPECTO AL ALMACENAMIENTO

1. El mejor lugar de almacenamiento es uno que sea fresco y seco fuera de la luz solar directa y de un exceso de calor o frío.
2. El almacenamiento prolongado no dañará el paquete de baterías o el cargador. En las condiciones adecuadas.

PROCEDIMIENTO DE CARGA

Los cargadores de **Black & Decker** están diseñados para cargar paquetes de baterías de **Black & Decker** en 3 a 4 horas según el paquete que se carga.

1. Enchufe el cargador en un tomacorriente adecuado antes de insertar el paquete de baterías.
2. Introduzca el paquete de baterías en el cargador. (Fig. A)

3. La luz LED verde titilará para indicar que la batería se está cargando.

4. La finalización de la carga se indica mediante la luz LED verde que permanece encendida de manera continua. El paquete está completamente cargado y puede utilizarse en este momento o dejarse en el cargador.

Después del uso, recargue las baterías descargadas a la brevedad posible o de lo contrario la vida útil de las baterías podría acortarse en gran medida. Para obtener la máxima vida útil de las baterías, no permita que éstas se descarguen completamente. Se recomienda recargar las baterías después de cada uso.

DEJAR LA BATERÍA EN EL CARGADOR

El cargador y el paquete de baterías se pueden dejar conectados indefinidamente con la luz LED verde encendida. El cargador mantendrá el paquete de baterías como nuevo y completamente cargado.

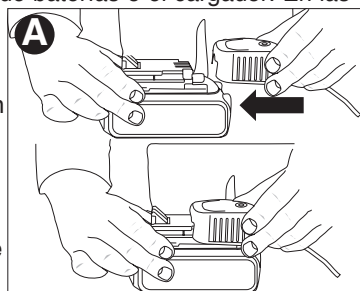
NOTAS IMPORTANTES SOBRE LA CARGA

1. Obtendrá una duración más prolongada y un mejor rendimiento si el paquete de baterías se carga cuando la temperatura ambiente está entre 18 °C y 24 °C (65 °F y 75 °F). NO cargue el paquete de batería con una temperatura ambiental por debajo de +4,5 °C (+40 °F) o por encima de +40,5 °C (+105 °F). Esto es importante y evitará daños graves en el paquete de baterías.

2. El cargador y el paquete de baterías pueden estar calientes al tacto durante la carga. Esto es una condición normal y no indica un problema. Para facilitar el enfriado del paquete de baterías después de su uso, evite colocar el cargador o el paquete de baterías en un ambiente cálido, como debajo de un toldo de metal o en un remolque sin aislamiento.

3. Si el paquete de baterías no se carga adecuadamente:

- a. Revise el tomacorriente enchufando una lámpara u otro aparato



b. Verifique si el tomacorriente está conectado a un interruptor que corta la energía cuando usted apaga las luces.

c. Mueva el cargador y el paquete de baterías a un lugar donde la temperatura ambiental sea de aproximadamente 18 °C a 24 °C (65 °F a 75 °F).

d. Si los problemas de carga persisten, lleve la herramienta, el paquete de baterías y el cargador al centro de mantenimiento local.

4. Se debe recargar el paquete de baterías cuando no produce energía suficiente para tareas que previamente realizaba con facilidad. NO CONTINUE utilizando la herramienta en estas condiciones. Siga el procedimiento de carga. También se puede cargar un paquete de baterías parcialmente usado cuando se desee, sin ningún efecto negativo sobre éstas.

5. Se deben mantener lejos de las cavidades del cargador los materiales extraños de naturaleza conductora, entre los que se incluyen la lana de acero, el papel de aluminio o cualquier acumulación de partículas metálicas. Éstos son sólo algunos ejemplos y no constituyen una lista taxativa. Siempre desenchufe el cargador del tomacorriente cuando no haya un paquete de baterías en la cavidad. Desenchufe el cargador antes de intentar limpiarlo.

6. No congele ni sumerja el cargador en agua ni en ningún otro líquido.

⚠ ADVERTENCIA: Riesgo de descarga eléctrica. No permita que ningún líquido entre en el cargador. *Nunca intente abrir el paquete de baterías por ningún motivo. Si la caja protectora de plástico del paquete de baterías se rompe o agrieta, devuélvala a un centro de mantenimiento para su reciclado.*

⚠ ADVERTENCIA: INSTRUCCIONES Y ADVERTENCIAS DE SEGURIDAD: TALADROS

1. Sostenga firmemente el taladro con una mano sobre el agarre y la otra sobre la parte inferior del paquete de baterías.

2. Cuando acople accesorios en el portabrocas, ajuste manualmente y con firmeza el portabrocas sin llave.

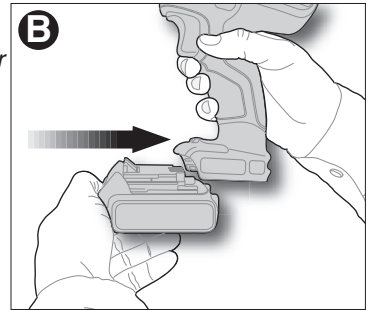
⚠ ADVERTENCIA: El taladro se puede atascar (si se sobrecarga o se usa inadecuadamente) y provocar una torsión. Siempre espere el atascamiento. Sujete el taladro firmemente con ambas manos para controlar la torsión y evitar la pérdida de control que podría ocasionar lesiones personales. En caso de que la herramienta se atasque, suelte el disparador inmediatamente y determine la causa del atascamiento antes de encenderla nuevamente.

INSTALACIÓN Y EXTRACCIÓN DEL PAQUETE DE BATERÍAS DE LA HERRAMIENTA

⚠ PRECAUCIÓN: *Asegúrese de que el botón de bloqueo esté trabado para evitar el accionamiento del interruptor antes de extraer o instalar la batería.*

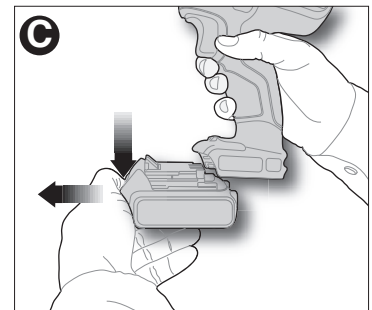
PARA INSTALAR EL PAQUETE DE BATERÍAS:

Inserte el paquete de baterías en la herramienta hasta que se escuche un clic (**Figura B**). Asegúrese de que el paquete de baterías esté bien colocado y completamente asegurado en su lugar.



PARA EXTRAER EL PAQUETE DE BATERÍAS:

Presione el botón de liberación de la batería, como se muestra en la **figura C**, y tire del paquete de baterías hasta extraerlo de la herramienta.

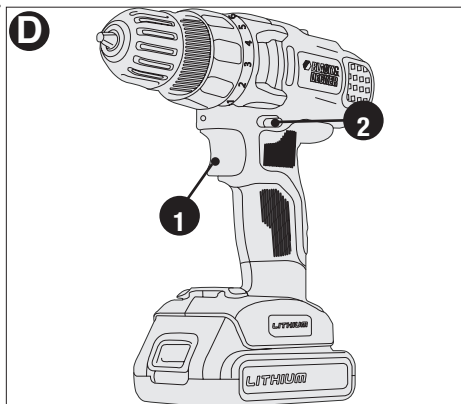


INSTRUCCIONES DE OPERACIÓN

INTERRUPTOR DISPARADOR Y BOTÓN DE INVERSIÓN (FIGURA D)

- El taladro se ENCIENDE y APAGA tirando y liberando el interruptor disparador (1). Cuanto más se oprima al disparador, mayor será la velocidad del taladro.
- El botón de control de avance/reversa (2) determina la dirección de la herramienta y también sirve como botón de bloqueo.
- Para seleccionar la rotación de avance, libere el interruptor disparador y oprima el botón de control de avance/reversa a la izquierda.
- Para seleccionar reversa, oprima el botón de control de avance/reversa en la dirección opuesta.

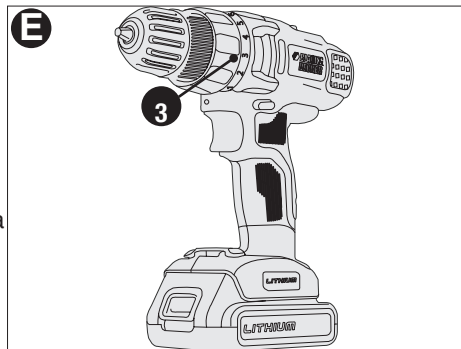
NOTA: la posición central del botón de control bloquea la herramienta en la posición de apagado. Al cambiar la posición del botón de control, asegúrese de que el disparador esté liberado.



AJUSTE DEL CONTROL DE TORSIÓN (FIGURA E)

Esta herramienta viene equipada con un anillo de ajuste de torsión (3), para seleccionar el modo de operación y para configurar la torsión al ajustar los tornillos. Los tornillos grandes y las piezas de trabajo de material duro requieren un ajuste mayor de torsión que los tornillos pequeños y las piezas de trabajo de material blando.

- Para taladrar en madera, metal y plástico, ajuste el anillo en la posición del símbolo de taladrado
- Para atornillar, ajuste el anillo en la configuración deseada. Si aún no conoce la configuración de ajuste adecuada, proceda como sigue:
- Ajuste el anillo en la configuración de torsión más baja.
- Ajuste el primer tornillo.
- Si el portabrocas avanza antes de lograr el resultado deseado, aumente la configuración del anillo y siga ajustando el tornillo. Repita el proceso hasta que logre la configuración deseada. Utilice esta configuración para los tornillos restantes.

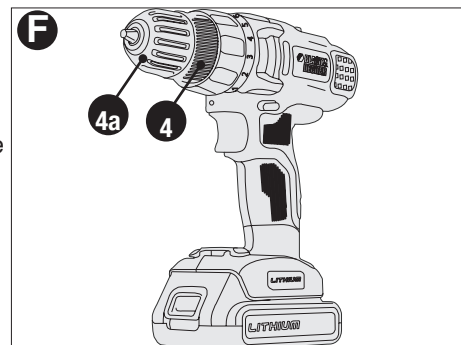


PORTABROCAS SIN LLAVE (FIGURA F)

⚠ ADVERTENCIA: Asegúrese de que el botón de bloqueo esté accionado para evitar que se accione el interruptor antes de instalar o retirar accesorios.

Para insertar una broca u otro accesorio:

1. Tome la mitad posterior del portabrocas (4a) con una mano y use la otra mano para girar la mitad de frente en dirección contraria a las agujas del reloj, vista desde el extremo del portabrocas.
2. Inserte por completo la broca u otro accesorio en el portabrocas y ajuste para asegurar, sosteniendo la mitad posterior del portabrocas y girando la porción de frente en la dirección de las agujas del reloj, vista desde el extremo del portabrocas.

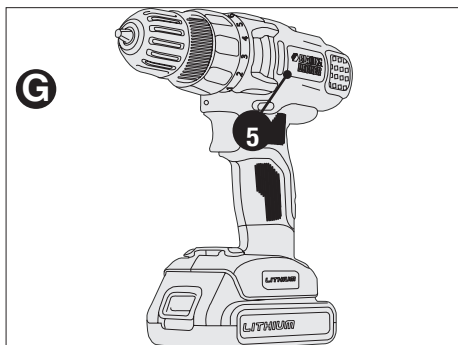


⚠ ADVERTENCIA: No tome la parte delantera del portabrocas y encienda la herramienta para ajustar las brocas (o cualquier otro accesorio). Cuando se cambian los accesorios, se pueden provocar daños al portabrocas y daños personales.

ENGRANAJE DE DOBLE ALCANCE (FIGURA G)

La función de doble alcance del taladro le permite cambiar los engranajes para mayor versatilidad. Para seleccionar la velocidad más baja, aumente la configuración de la torsión (posición 1), apague la herramienta y permita que se detenga. Deslice el botón cambiador de engranajes (5) en dirección contraria al portabrocas. Para seleccionar la velocidad más alta, disminuya la configuración de la torsión (posición 2), apague la herramienta y permita que se detenga. Deslice el botón cambiador de engranajes hacia atrás (hacia el portabrocas).

NOTA: No cambie los engranajes con la herramienta en funcionamiento. En caso de problemas al cambiar los engranajes, asegúrese de empujar el botón de engranajes de doble alcance completamente hacia adelante o completamente hacia atrás.

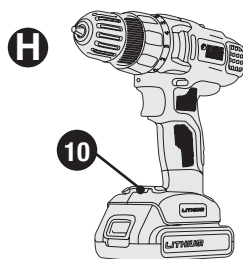


DESTORNILLADO

Para impulsar remaches, el botón de inversión debe estar empujado hacia la izquierda. Use la inversa (botón empujado hacia la derecha) para retirar remaches. Al cambiar de avance a retroceso, o viceversa, siempre libere el interruptor disparador primero.

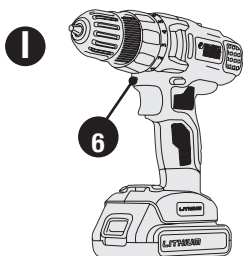
ESPACIO EN LA HERRAMIENTA PARA GUARDAR BROCAS (FIGURA H)

Hay una ranura para guardar brocas (10) en el área que está justo por encima del paquete de baterías.



LUZ DE TRABAJO DE LED (FIGURA I)

Cuando el taladro se activa al tirar del interruptor disparador (1), la luz de trabajo de LED integrada (6) automáticamente iluminará el área de trabajo. No utilice la luz de trabajo LED como una linterna.



TALADRADO

- Solamente utilice brocas afiladas.
- Apoye y asegure apropiadamente la pieza de trabajo, como se recomienda en las Instrucciones de seguridad.
- Utilice el equipo de seguridad apropiado y requerido, como se señala en las instrucciones de seguridad.
- Cuide el área de trabajo, como se menciona en las instrucciones de seguridad.
- Haga funcionar el taladro muy lentamente, utilizando poca presión, hasta haber perforado lo suficiente para evitar que la broca se deslice hacia afuera del barreno.
- Aplique presión en línea recto con la broca. Haga presión suficiente para conservar a la broca cortando, pero no tanta como para que el motor se atasque o la broca se desvíe.
- **Sujete firmemente el taladro para controlar su acción de torsión.**
- **NO OPRIMA EL GATILLO DE UN TALADRO ATASCADO PARA INTENTAR ENCENDERLO Y APAGARLO. PUEDE DA—ARLO.**

- Minimice el atascamiento al iniciar el barreno reduciendo la presión y perforando lentamente a través de la última parte del barreno.
- Conserve el motor en funcionamiento mientras saca la broca de un barreno. Esto ayudará a evitar atascaduras.
- **Asegúrese que el interruptor enciende y apaga el taladro.**

TALADRADO EN MADERA

Los orificios en madera se pueden realizar con las mismas brocas de taladro helicoidales que se usan para los metales o con brocas de pala. Estas brocas deben estar afiladas y se deben retirar con frecuencia mientras se taladra para limpiar las virutas de las ranuras.

TALADRADO EN METAL

Utilice un lubricante de corte cuando taladre metales. Las excepciones son el bronce y el hierro fundido que deben taladrarse en seco. Los lubricantes de corte que funcionan mejor son el aceite de corte sulfurizado o el aceite de grasa de cerdo.

TALADRADO EN MAMPOSTERÍA

Utilice brocas para mampostería con puntas de carburo. Consulte la sección Taladrado. Mantenga una fuerza pareja sobre el taladro, pero que no sea tanta como para agrietar el material frágil. Un flujo de virutas uniforme y suave indica que se taladra a la velocidad adecuada.

MANTENIMIENTO

Utilice únicamente jabón suave y un trapo húmedo para limpiar la herramienta. Nunca permita que se introduzcan líquidos en la herramienta; nunca sumerja ninguna parte de la herramienta en ningún líquido. **IMPORTANTE:** Para garantizar la SEGURIDAD y la CONFIABILIDAD del producto, la reparaciones, el mantenimiento y los ajustes deberán efectuarse en centros de servicio autorizado u otras organizaciones de servicio calificado, que utilicen siempre refacciones idénticas.

ACCESORIOS

Los accesorios que se recomiendan para la herramienta están disponibles en su distribuidor local o en el centro de servicio autorizado. Si necesita ayuda con respecto a los accesorios, llame al: **1-800-544-6986**.

⚠ ADVERTENCIA: El uso de accesorios no recomendados para utilizar con esta herramienta puede resultar peligroso.

El sello RBRC™

El sello RBRC™ (Corporación de reciclado de baterías recargables) que se encuentra sobre la batería de iones de litio (o paquete de baterías) indica que los costos para reciclar la batería (o el paquete de baterías) al final de su vida útil ya fueron pagados por Black & Decker. En algunas zonas, es ilegal tirar las baterías usadas de iones de litio en la basura o en el depósito de desechos sólidos del municipio. El programa RBRC proporciona una alternativa de conciencia sobre el cuidado del medio ambiente.

RBRC, en cooperación con Black & Decker y otros usuarios de baterías, estableció programas en los Estados Unidos y Canadá para facilitar la recolección de baterías de iones de litio usadas. Ayude a proteger nuestro medio ambiente y a conservar los recursos naturales: devuelva la herramienta a un centro de mantenimiento autorizado Black & Decker para que sean recicladas. También puede comunicarse con el centro de reciclado para informarse sobre dónde dejar las baterías, o llame al **1-800-544-6986**.

Este aparato digital Clase B cumple con la norma canadiense ICES-003.

Este mecanismo cumple con la parte 15 de las normas de la Comisión Federal de Comunicaciones de Estados Unidos (FCC). La operación está sujeta a las dos condiciones siguientes: (1) Este mecanismo posiblemente no cause interferencia perjudicial; y (2) este mecanismo puede aceptar cualquier interferencia recibida, incluso interferencia que podría provocar una operación no deseada.

NOTA: Este equipo ha sido probado y se encontró que cumple con los límites para dispositivo digital Clase B, según la parte 15 de las normas de la FCC. Estos límites están diseñados para brindar protección razonable contra interferencia perjudicial en una instalación residencial. Este equipo genera, usa y puede irradiar energía en frecuencia de radio y, si no se instala y se usa de acuerdo con las instrucciones, puede provocar interferencia perjudicial en las comunicaciones de radio. Sin embargo, no hay garantía



DETECCIÓN DE PROBLEMAS

Problema	Causa posible	Solución posible
<ul style="list-style-type: none"> • La unidad no enciende. 	<ul style="list-style-type: none"> • El paquete de baterías no está bien instalado. • El paquete de baterías no está cargado. 	<ul style="list-style-type: none"> • Controle la instalación del paquete de baterías. • Verifique los requisitos de carga del paquete de baterías.
<ul style="list-style-type: none"> • El paquete de baterías no carga. 	<ul style="list-style-type: none"> • El paquete de baterías no está insertado en el cargador. • El cargador no está enchufado. • La temperatura ambiental está demasiado caliente o demasiado fría. 	<ul style="list-style-type: none"> • Inserte el paquete de baterías en el cargador hasta que se encienda la luz roja (LED). • Enchufe el cargador en un tomacorriente que funcione. Consulte “Notas importantes sobre la carga” para conocer más detalles. • Traslade el cargador y el paquete de baterías a una temperatura ambiental que esté por encima de 4.5 °C (40 °F) o por debajo de 40.5 °C (105 °F).
<ul style="list-style-type: none"> • La unidad se apaga repentinamente. 	<ul style="list-style-type: none"> • El paquete de baterías alcanzó el límite térmico máximo. • No tiene más carga. (Para maximizar la vida útil del paquete de baterías, este está diseñado para apagarse repentinamente cuando no tiene más carga). 	<ul style="list-style-type: none"> • Espere que el paquete de baterías se enfríe. • Colóquelo en el cargador para que se cargue.

Solamente para Propósitos de México

Para conocer la ubicación del centro de servicio más cercano a fin de recibir ayuda con su producto, visite nuestro sitio Web www.blackanddecker.com.mx o llame a la línea de ayuda BLACK & DECKER al **01 800 847 2309/01 800 847 2312**.

de que la interferencia no ocurra en una instalación en particular. Si este equipo provoca interferencia perjudicial en la recepción de radio o televisión, lo que se puede determinar al apagar y encender el equipo, el usuario debe tratar de corregir la interferencia mediante una o más de las siguientes medidas:

- Cambiar la orientación o la ubicación de la antena de recepción.
- Aumentar la separación entre el equipo y el receptor.
- Conectar el equipo a un tomacorriente sobre un circuito diferente de aquel al que está conectado el receptor.
- Consultar al vendedor o pedir la ayuda de un técnico en radio y televisión con experiencia.

Los cambios o las modificaciones que se le realicen a esta unidad sin aprobación expresa del tercero responsable del cumplimiento pueden anular la autorización del usuario para operar el equipo. Este aparato digital de la clase B se conforma con ICES-003 canadiense.

INFORMACIÓN DE MANTENIMIENTO

Todos los Centros de servicio de Black & Decker cuentan con personal altamente capacitado dispuesto a brindar a todos los clientes un servicio eficiente y confiable en la reparación de herramientas eléctricas. Si necesita consejo técnico, reparaciones o piezas de repuesto originales de fábrica, póngase en contacto con el centro de servicio de Black & Decker más cercano a su domicilio. Para ubicar su centro de servicio local, consulte la sección "Herramientas eléctricas" (Tools-Electric) de las páginas amarillas, llame al **1-800-544-6986** o visite nuestro sitio **www.blackanddecker.com**.

GARANTÍA COMPLETA DE DOS AÑOS PARA USO EN EL HOGAR

Black & Decker (Estados Unidos) Inc. ofrece una garantía de dos años por cualquier defecto del material o de fabricación de este producto. El producto defectuoso se reparará o reemplazará sin costo alguno de dos maneras.

La primera opción, el reemplazo, es devolver el producto al comercio donde se adquirió (siempre y cuando se trate de un comercio participante). Las devoluciones deben realizarse conforme a la política de devolución del comercio (generalmente, entre 30 y 90 días posteriores a la venta). Le pueden solicitar comprobante de compra. Consulte en el comercio acerca de la política especial sobre devoluciones una vez excedido el plazo establecido.

La segunda opción es llevar o enviar el producto (con flete pago) a un Centro de servicio propio o autorizado de Black & Decker para su reparación o reemplazo según nuestro criterio. Le pueden solicitar el comprobante de compra. Los Centros de servicio autorizados y de propiedad de Black & Decker se detallan en la sección

"Herramientas eléctricas" (Tools-Electric) de las páginas amarillas de la guía telefónica. Esta garantía no se extiende a los accesorios. Esta garantía le concede derechos legales específicos; usted puede tener otros derechos que pueden variar según el estado o la provincia. Si tiene alguna pregunta, comuníquese con el gerente del Centro de servicio de Black & Decker de su zona. Este producto no está diseñado para uso comercial.

AMÉRICA LATINA: esta garantía no se aplica a los productos que se venden en América Latina. Para los productos que se venden en América Latina, debe consultar la información de la garantía específica del país que viene en el empaque, llamar a la compañía local o visitar el sitio Web a fin de obtener esa información.

**· GARANTÍA BLACK & DECKER · BLACK & DECKER WARRANTY
· SOLAMENTE PARA PROPOSITOS DE MEXICO**

Distributor Name · *Sello firma del distribuidor*

Date of purchase · *Fecha de compra*

Invoice No. · No. de factura

PRODUCT INFORMATION · IDENTIFICACIÓN DEL PRODUCTO

Cat. No. · *Catalogo ó Modelo*

Serial Number · No. de serie

Name · *Nombre*

Last Name · Apellido

Address · *Dirección*

City · *Ciudad*

State · Estado

Postal Code · *Código Postal*

Country · País

Telephone · *No. Teléfono*

2 AÑOS DE GARANTIA

Este producto cuenta con dos años de garantía a partir de la fecha de compra contra cualquier defecto de su funcionamiento, así como cualquier falla debido a materiales empleados para su fabricación ó mano de obra defectuosa.

Nuestra garantía incluye la reparación o reposición del producto y/o componentes sin cargo alguno para el cliente incluyendo la mano de obra, esta incluye los gastos de trasportación erogados para lograr cumplimiento de esta garantía en los domicilios diversos señalados.

Para hacer efectiva esta garantía deberá presentar su herramienta y esta póliza sellada por el establecimiento comercial donde se adquirió el producto.

Nos comprometemos a entregar el producto en un lapso no mayor a 30 días hábiles contados a partir de la fecha de recepción del mismo en nuestros talleres de servicio autorizados.

ESTA GARANTIA NO APLICA CUANDO:

El producto se hubiese utilizado en condiciones distintas a las normales.

El producto no hubiese sido operado de acuerdo con el instructivo de uso que se acompaña.

El producto hubiese sido alterado o reparado por personas no autorizadas por nosotros.

Importador: Black & Decker S.A. de .C.V

Bosque de Cidros Acceso Radiatas No.42

3ra.Seccion de Bosques de las lomas

C.P.05120, Mexico, D.F. Tel: (01 55) 5326 7100

SOLAMENTE PARA PROPOSITOS DE MEXICO

**Grupo Realsa en herramientas,
S.A. de C.V.**
Súper Manzana 69 MZ.01 Lote 30
(Av. Torcasita)
Col. Puerto Juárez
Cancún, Quintana Roo
Tel. 01 998 884 72 27

Ferre Pat de Puebla, S.A. de C.V.
16 de Septiembre No. 6149
Col. El Cerrito
Puebla, Puebla
Tel. 01 222 264 12 12

Ferre Pat de Puebla, S.A. de C.V.
Ejército Mexicano No. 15
Col. Ejido 1ro. de Mayo
Boca del Río, Veracruz
Tel. 01 229 167 89 89

**Servicio de Fabrica Black & Decker,
S.A. de C.V.**
Lázaro Cardenas No. 18
Col. Obrera
Distrito Federal
Tel. 55 88 95 02

**Representaciones Industriales Robles,
S.A. de C.V.**
Tezozomoc No. 89
Col. La Preciosa
Distrito Federal
Tel. 55 61 86 82

**Gpo. Comercial de Htas. y Refacciones
de Occidente, S.A. de C.V.**
Av. La Paz No. 1779
Col. Americana, S. Juárez
Guadalajara, Jalisco
Tel. 01 33 38 25 69 78

Herramientas y Equipos Profesionales
Av. Colón 2915 Ote.
Col. Francisco I. Madero
Monterrey, Nvo. León
Tel. 01 81 83 54 60 06

**Htas. Portátiles de Chihuahua,
S.A. de C.V.**
Av. Universidad No. 2903
Col. Fracc. Universidad
Chihuahua, Chihuahua
Tel. 01 614 413 64 04

Fernando González Armenta
Bolivia No. 605
Col. Felipe Carrillo Puerto
Cd. Madero, Tampico
Tel. 01 833 221 34 50

Perfiles y Herramientas de Morelia
Gertrudis Bocanegra No. 898
Col. Ventura Puente
Morelia, Michoacán
Tel. 01 443 313 85 50

Enrique Robles
Av. de la Solidaridad No. 12713
Col. La Pradera
Irapuato, Guanajuato
Tel. 01 462 626 67 39

Hernández Martínez Jeanette
Prolongación Corregidora Nte. No. 1104
Col. Arboledas
Querétaro, Qro.
Tel. 01 442 245 25 80

PARA OTRAS LOCALIDADES LLAME AL 01 800 847 2309 o 01 800 847 2312.

**Vea "Herramientas
eléctricas (Tools-Electric)"
– Páginas amarillas –
para Servicio y ventas**



**BLACK & DECKER S.A. DE C.V.
BOSQUES DE CIDROS ACCESO RADIATAS NO. 42
COL. BOSQUES DE LAS LOMAS.
05120 MÉXICO, D.F.
TEL. (01 55) 5326 7100
01 800 847 2309/01 800 847 2312**

Free Manuals Download Website

<http://myh66.com>

<http://usermanuals.us>

<http://www.somanuals.com>

<http://www.4manuals.cc>

<http://www.manual-lib.com>

<http://www.404manual.com>

<http://www.luxmanual.com>

<http://aubethermostatmanual.com>

Golf course search by state

<http://golfingnear.com>

Email search by domain

<http://emailbydomain.com>

Auto manuals search

<http://auto.somanuals.com>

TV manuals search

<http://tv.somanuals.com>