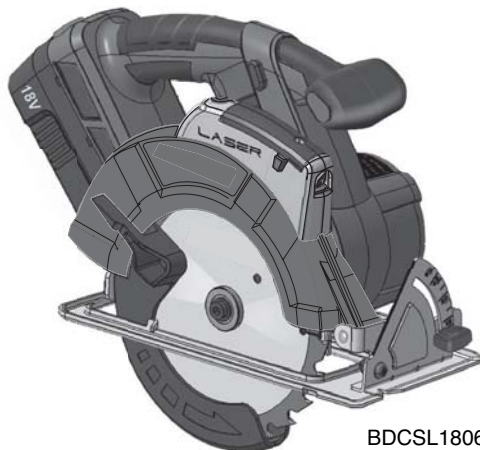




**CORDLESS 6-1/2 inch (165mm) and  
7-1/4 inch (185mm) CIRCULAR SAWS**

# INSTRUCTION MANUAL

**Catalog  
Numbers  
BDCS1806  
BDCSL1806  
BDGCS1806  
BDCS1807  
BDCS2406**



BDCSL1806 Shown

**THANK YOU FOR CHOOSING BLACK & DECKER!  
GO TO [WWW.BLACKANDDECKER.COM/NEWOWNER](http://WWW.BLACKANDDECKER.COM/NEWOWNER)  
TO REGISTER YOUR NEW PRODUCT.**

**BEFORE RETURNING THIS PRODUCT  
FOR ANY REASON PLEASE CALL  
1-800-544-6986**

BEFORE YOU CALL, HAVE THE FOLLOWING INFORMATION AVAILABLE, CATALOG No., TYPE No., AND DATE CODE . IN MOST CASES, A **BLACK & DECKER** REPRESENTATIVE CAN RESOLVE THE PROBLEM OVER THE PHONE. IF YOU HAVE A SUGGESTION OR COMMENT, GIVE US A CALL. YOUR FEEDBACK IS VITAL TO BLACK & DECKER.

**SAVE THIS MANUAL FOR FUTURE REFERENCE.**

**VEA EL ESPAÑOL EN LA CONTRAPORTADA.**

**INSTRUCTIVO DE OPERACIÓN, CENTROS DE SERVICIO Y PÓLIZA DE GARANTÍA.  
ADVERTENCIA: LÉASE ESTE INSTRUCTIVO ANTES DE USAR EL PRODUCTO.**

## ⚠ **GENERAL SAFETY RULES - FOR ALL BATTERY OPERATED TOOLS**

### ⚠ **WARNING: READ AND UNDERSTAND ALL INSTRUCTIONS.**

Failure to follow all instructions listed below, may result in electric shock, fire and/or serious personal injury.

### **SAVE THESE INSTRUCTIONS**

#### **Work Area**

- **Keep your work area clean and well lit.** Cluttered benches and dark areas invite accidents.
- **Do not operate power tools in explosive atmospheres, such as in the presence of flammable liquids, gases, or dust.** Power tools create sparks which may ignite the dust or fumes.
- **Keep bystanders, children, and visitors away while operating a power tool.** Distractions can cause you to lose control.

#### **Electrical Safety**

- **Do not abuse the cord. Never use the cord to carry the tool. Keep cord away from heat, oil, sharp edges or moving parts. Replace damaged cords immediately.** Damaged cords may create a fire.
- **A battery operated tool with integral batteries or a separate battery pack must be recharged only with the specified charger for the battery.** A charger that may be suitable for one type of battery may create a risk of fire when used with another battery.
- **Use battery operated tool only with specifically designated battery pack.** Use of any other batteries may create a risk of fire.

#### **Personal Safety**

- **Stay alert, watch what you are doing and use common sense when operating a power tool. Do not use tool while tired or under the influence of drugs, alcohol, or medication.** A moment of inattention while operating power tools may result in serious personal injury.
- **Dress properly. Do not wear loose clothing or jewelry. Contain long hair. Keep your hair, clothing, and gloves away from moving parts.** Loose clothes, jewelry, or long hair can be caught in moving parts.
- **Avoid accidental starting. Be sure switch is in the locked or off position before inserting battery pack.** Carrying tools with your finger on the switch or inserting the battery pack into a tool with the switch on invites accidents.
- **Remove adjusting keys or wrenches before turning the tool on.** A wrench or a key that is left attached to a rotating part of the tool may result in personal injury.
- **Do not overreach. Keep proper footing and balance at all times.** Proper footing and balance enable better control of the tool in unexpected situations.
- **Use safety equipment. Always wear eye protection.** Dust mask, non-skid safety shoes, hard hat, or hearing protection must be used for appropriate conditions.

#### **Tool Use and Care**

- **Use clamps or other practical way to secure and support the workpiece to a stable platform.** Holding the work by hand or against your body is unstable and may lead to loss of control.
- **Do not force tool. Use the correct tool for your application.** The correct tool will do the job better and safer at the rate for which it is designed.
- **Do not use tool if switch does not turn it on or off.** A tool that cannot be controlled with the switch is dangerous and must be repaired.
- **Disconnect battery pack from tool or place the switch in the locked or off position before making any adjustments, changing accessories, or storing the tool.** Such preventive safety measures reduce the risk of starting the tool accidentally.
- **Store idle tools out of reach of children and other untrained persons.** Tools are dangerous in the hands of untrained users.
- **When battery pack is not in use, keep it away from other metal objects like: paper clips, coins, keys, nails, screws or other small metal objects that can make a connection from one terminal to another.** Shorting the battery terminals together may cause sparks, burns, or a fire.
- **Maintain tools with care. Keep cutting tools sharp and clean.** Properly maintained tools, with sharp cutting edge are less likely to bind and are easier to control.

- **Check for misalignment or binding of moving parts, breakage of parts, and any other condition that may affect the tool's operation. If damaged, have the tool serviced before using.** Many accidents are caused by poorly maintained tools.
- **Use only accessories that are recommended by the manufacturer for your model.** Accessories that may be suitable for one tool may create a risk of injury when used on another tool.

### Service

- **Tool service must be performed only by qualified repair personnel.** Service or maintenance performed by unqualified personnel may result in a risk of injury.
- **When servicing a tool, use only identical replacement parts. Follow instructions in the Maintenance section of this manual.** Use of unauthorized parts or failure to follow Maintenance Instructions may create a risk of shock or injury.

### Specific Safety Rules

- **⚠ DANGER: Keep hands away from cutting area and blade. Keep your second hand on auxiliary handle, or motor housing.** If both hands are holding the saw, they cannot be cut by the blade.
- **Keep your body positioned to either side of the saw blade, but not in line with the saw blade.** KICKBACK could cause the saw to jump backwards. (See "Causes and Operator Prevention of Kickback").
- **Do not reach underneath the work.** The guard cannot protect you from the blade below the work.
- **Check lower guard for proper closing before each use. Do not operate saw if lower guard does not move freely and close instantly. Never clamp or tie the lower guard into the open position.** If saw is accidentally dropped, lower guard may be bent. Raise the lower guard with the Retracting Lever and make sure it moves freely and does not touch the blade or any other part, in all angles and depths of cut.
- **Check the operation and condition of the lower guard spring. If the guard and the spring are not operating properly, they must be serviced before use.** Lower guard may operate sluggishly due to damaged parts, gummy deposits, or a buildup of debris.
- **Lower guard should be retracted manually only for special cuts such as "Pocket Cuts" and "Compound Cuts". Raise the lower guard by Retracting Lever. As soon as blade enters the material, lower guard must be released.** For all other sawing, the lower guard should operate automatically.
- **Always observe that the lower guard is covering the blade before placing saw down on bench or floor.** An unprotected, coasting blade will cause the saw to walk backwards, cutting whatever is in its path. Be aware of the time it takes for the blade to stop after switch is released.
- **NEVER hold piece being cut in your hands or across your leg.** It is important to support the work properly to minimize body exposure, blade binding, or loss of control.
- **Hold tool by insulated gripping surfaces when performing an operation where the cutting tool may contact hidden wiring.** Contact with a "live" wire will also make exposed metal parts of the tool "live" and shock the operator.
- **When ripping, always use a rip fence or straight edge guide.** This improves the accuracy of the cut and reduces the chance for blade binding.
- **Always use blades with correct size and shape (diamond vs. round) arbor holes.** Blades that do not match the mounting hardware of the saw will run eccentrically, causing loss of control.
- **Never use damaged or incorrect blade washers or bolts.** The blade washers and bolt were specially designed for your saw, for optimum performance and safety of operation.

### Causes and Operator Prevention of Kickback

- Kickback is a sudden reaction to a pinched, bound or misaligned saw blade, causing an uncontrolled saw to lift up and out of the workpiece toward the operator.
- When the blade is pinched or bound tightly by the kerf closing down, the blade stalls and the motor reaction drives the unit rapidly back toward the operator.
- If the blade becomes twisted or misaligned in the cut, the teeth at the back edge of the blade can dig into the top surface of the wood causing the blade to climb out of the kerf and jump back toward the operator.
- Kickback is the result of tool misuse and/or incorrect operating procedures or conditions and can be avoided by taking proper precautions as given below:
- **Maintain a firm grip on the saw and position your body and arm in a way that allows you to resist KICKBACK forces.** KICKBACK forces can be controlled by the operator, if proper precautions are taken.

- **When blade is binding or when interrupting a cut for any reason, release the trigger and hold the saw motionless in the material until the blade comes to a complete stop. Never attempt to remove the saw from the work or pull the saw backward while the blade is in motion or KICKBACK may occur.** Investigate and take corrective actions to eliminate the cause of blade binding.
- **When restarting a saw in the workpiece, center the saw blade in the kerf and check that teeth are not engaged into the material.** If saw blade is binding it may walk up or KICKBACK from the workpiece as the saw is restarted.
- **Support large panels to minimize the risk of blade pinching and KICKBACK.** Large panels tend to sag under their own weight. Supports must be placed under the panel on both sides, near the line of cut and near the edge of the panel.
- **Do not use dull or damaged blade.** Unsharpened or improperly set blades produce narrow kerf causing excessive friction, blade binding and KICKBACK.
- **Blade depth and bevel adjusting locking levers must be tight and secure before making cut.** If blade adjustment shifts while cutting, it may cause binding and KICKBACK.
- **Use extra caution when making a "Pocket Cut" into existing walls or other blind areas.** The protruding blade may cut objects that can cause KICKBACK.

### Additional Safety Rules: Circular Saws

**⚠WARNING: Some dust created by power sanding, sawing, grinding, drilling, and other construction activities contains chemicals known to cause cancer, birth defects or other reproductive harm.** Some examples of these chemicals are:

- lead from lead-based paints,
- crystalline silica from bricks and cement and other masonry products, and
- arsenic and chromium from chemically-treated lumber (CCA).

Your risk from these exposures varies, depending on how often you do this type of work. To reduce your exposure to these chemicals: work in a well ventilated area, and work with approved safety equipment, such as those dust masks that are specially designed to filter out microscopic particles.

- **Avoid prolonged contact with dust from power sanding, sawing, grinding, drilling, and other construction activities. Wear protective clothing and wash exposed areas with soap and water.** Allowing dust to get into your mouth, eyes, or lay on the skin may promote absorption of harmful chemicals.

**⚠WARNING: Use of this tool can generate and/or disperse dust, which may cause serious and permanent respiratory or other injury.** Always use NIOSH/OSHA approved respiratory protection appropriate for the dust exposure. Direct particles away from face and body.

**⚠CAUTION: Wear appropriate hearing protection during use.** Under some conditions and duration of use, noise from this product may contribute to hearing loss.

- **Snagging the lower guard on a surface below the material being cut can momentarily reduce operator control.** The saw can lift partially out of the cut increasing the chance of blade twist. Ensure there is sufficient clearance under the workpiece.
- **When necessary to raise lower guard manually, use the retracting lever.**
- **KEEP THE BLADES CLEAN AND SHARP.** Sharp blades minimize stalling and kickback. The use of dull and/or dirty blades can increase the saw loading causing the operator to push harder which promotes twisting.

**⚠DANGER: KEEP HANDS AWAY FROM CUTTING AREA.** Keep hands away from blades. Never place hands in front of or behind the path of the blade while cutting. Do not reach underneath work while blade is rotating. Do not attempt to remove cut material when blade is moving.

- **SUPPORT LARGE PANELS.** Large panels must be supported as shown (Fig. E & F) in this manual to minimize the risk of blade pinching and kickback. When cutting operation requires the resting of the saw on the workpiece, the saw shall be rested on the larger portion and the smaller piece cut off.
- **USE ONLY CORRECT BLADES AND BLADE ASSEMBLY COMPONENTS WHEN MOUNTING BLADES.** Do not use blades with incorrect size holes. Never use defective or incorrect blade washers or bolts. Follow blade assembly procedures.
- **ADJUSTMENTS.** Before cutting be sure depth and bevel adjustments are tight.
- **SUPPORT AND SECURE THE WORK PROPERLY.** Insure that the material to be cut is clamped (Fig. G) and solidly supported and balanced on a strong, stable and level work surface. Support the work so that the wide portion of the saw shoe is on the portion of the material that doesn't fall after the cut is made. Never hold cut off piece by hand (Fig. H).

KICKBACK from blade pinch can result. Keep both hands on saw at all times.

- **STAY ALERT AND EXERCISE CONTROL.** Keep body positioned to one side of blade. Always maintain a firm grip and control of saw with both hands. Do not change hand grip or body position while saw is running. Take precaution to avoid injury from cut off pieces and other falling material during operation.

**⚠ DANGER: RELEASE SWITCH IMMEDIATELY IF BLADE BINDS OR SAW STALLS. GUARD AGAINST KICKBACK**

- **KICKBACK CAN BE CAUSED BY** the saw blade becoming pinched, twisted or bound while cutting, or when the saw stalls. When the blade becomes twisted or misaligned in the cut, the teeth at the back edge of the blade can dig into the top surface of the wood causing the blade to climb out of the cut and move suddenly back toward the operator.

**TO REDUCE THE RISK OF KICKBACK**

- Keep a firm grip on saw with both hands at all times.
- Stay alert – exercise control.
- Support long overhanging materials. As the material is cut and weakens, it will sag, causing a pinched blade.
- Support large panels as shown. Material supported only at the ends will lead to blade pinching.
- Avoid sawing overhead. Material can sag and will pinch blade.
- Keep blades sharp and clean.
- Use fence or straight edge guide when ripping. Be careful as the cut off strip can sag or twist, closing the cut and pinching the blade, leading to KICKBACK.
- Don't force tool. Wood variables such as knots, hardness, toughness, wetness, pressure treated and freshly cut green lumber can heavily load the saw which can lead to stalling. Push the saw slower when this occurs.
- Don't remove saw from work during a cut while the blade is moving.
- Allow saw to reach full speed before blade contacts material to be cut. Starting the saw with the blade against the work or pushed forward into cut can lead to stalling or sudden backward movement of saw.
- Never attempt to lift saw when making a bevel cut. This leads to blade binding and stalling.
- Always secure work to prevent workpiece movement during cut.
- Do not try to force saw back on line if your cut begins to go off line. This can cause KICKBACK. Stop saw and allow blade to coast down to a stop. Withdraw from cut and start a new cut on the line.
- Set depth adjustment of saw such that one tooth of the blade projects below the workpiece as shown.
- Do not back up a rotating blade in the cut. Twisting the saw can cause the back edge of the blade to dig into the material, climb out of the work and run back toward the operator.
- Avoid cutting nails. Inspect for and remove all nails from lumber before cutting.
- Some wood contains preservatives such as copper chromium arsenate (CCA) which can be toxic. When cutting these materials, extra care should be taken to avoid inhalation and minimize skin contact.

**SAFETY INSTRUCTIONS - LASERS (BD CSL1806 ONLY)**

- **⚠ DANGER:** Laser radiation, avoid direct eye exposure, serious eye injury can result.
  - Do not use optical tools such as a telescope or transit to view the laser beam.
  - Position the laser so unintentional eye contact will be avoided.
  - Do not operate the laser around children or allow children to operate the laser / power tool.
  - Do not disassemble. Modifying the product in any way can increase the risk of laser radiation.
- **⚠ WARNING:** Use of controls or adjustments or performance of procedures other than those specified in this manual may result in hazardous laser radiation exposure.
  - Do not adjust the laser, when the battery is inserted in the circular.
  - Do not operate in explosive atmospheres, such as in the presence of flammable liquids, gases, or dust.
  - Store idle product out of reach of children and other untrained persons. Lasers / power tools are dangerous in the hands of untrained users.
  - Use only accessories that are recommended by the manufacturer for your model. Accessories that may be suitable for one laser / power tool, may create a risk of injury when used on another laser / power tool.
  - Repairs and servicing **MUST** be performed by a qualified repair facility. Repairs performed by unqualified personnel could result in serious injury.
  - Do not remove or deface warning labels. Removing labels increases the risk of exposure to radiation.

- For indoor use only.
- This product is intended for use in a temperature range of 41°F(5°C) - 104°F(40°C).

### SAFETY GUIDELINES - DEFINITIONS

It is important for you to read and understand this manual. The information it contains relates to protecting YOUR SAFETY and PREVENTING PROBLEMS. The symbols below are used to help you recognize this information.

**⚠ DANGER:** Indicates an imminently hazardous situation which, if not avoided, will result in death or serious injury.

**⚠ WARNING:** Indicates a potentially hazardous situation which, if not avoided, could result in death or serious injury.

**⚠ CAUTION:** Indicates a potentially hazardous situation which, if not avoided, may result in minor or moderate injury.

**CAUTION:** Used without the safety alert symbol indicates potentially hazardous situation which, if not avoided, may result in property damage.

The label on your laser may include the following symbols.

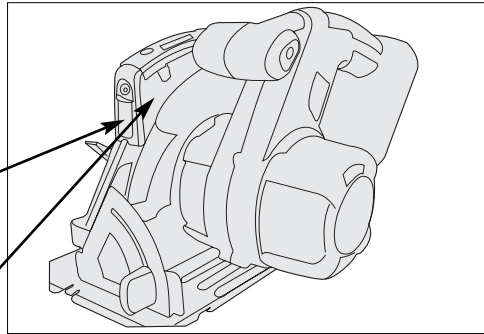
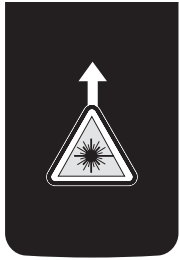
V .....volts  
 nm.....wavelength in nanometers  
 IIIa.....Class IIIA Laser

The label on your tool may include the following symbols.

V .....volts  
 Hz .....hertz  
 min .....minutes  
 ===== .....direct current  
 □ .....Class II Construction  
 ⚠ .....safety alert symbol  
 .../min.....revolutions or reciprocations per minute

A.....amperes  
 W .....watts  
 ~ .....alternating current  
 n<sub>0</sub> .....no load speed  
 ⊕ .....earthing terminal

For your convenience and safety, the following labels are on your laser. (BDCSL1806)



#### SAFETY WARNINGS AND INSTRUCTIONS: CHARGING

1. This manual contains important safety and operating instructions.
2. Before using battery charger, read all instructions and cautionary warnings on battery charger and product using battery.
- ⚠ **CAUTION:** To reduce the risk of injury, use charger only with this product. Batteries in other products may burst causing personal injury or damage.
3. Do not expose charger to rain or snow.
4. Use of an attachment not recommended may result in a risk of fire, electric shock, or injury to persons.
5. To reduce risk of damage to electric plug and cord, pull by plug rather than cord when disconnecting charger.
6. Make sure cord is located so that it will not be stepped on, tripped over, or otherwise subjected to damage or stress.
7. An extension cord should not be used unless absolutely necessary. Use of improper extension cord could result in a risk of fire, electric shock or electrocution.
  - a. Two-wire cords can be used with 2-wire or 3-wire extension cords. Only round jacketed extension cords should be used, and we recommend that they be listed by Underwriters Laboratories (U.L.). If the extension is to be used outside, the cord must be suitable for outdoor use. Any cord marked for outdoor use can also be used for indoor work. The letters "W" or "WA" on the cord jacket indicate that the cord is suitable for outdoor use.
  - b. An extension cord must have adequate wire size (AWG or American Wire Gauge) for safety, and to prevent loss of power and overheating. The smaller the gauge number of the wire, the greater the capacity of the cable; that is, 16 gauge has more capacity than 18 gauge. When using more than one extension to make up the total length, be sure each extension contains at least the minimum wire size for the total length.
8. Use only the specified charger when charging your tool. The use of any other charger could damage the tool or create a hazardous condition.
9. Use only one charger when charging.
10. Do not attempt to open the charger. There are no customer serviceable parts inside. Return to any authorized Black & Decker service center.

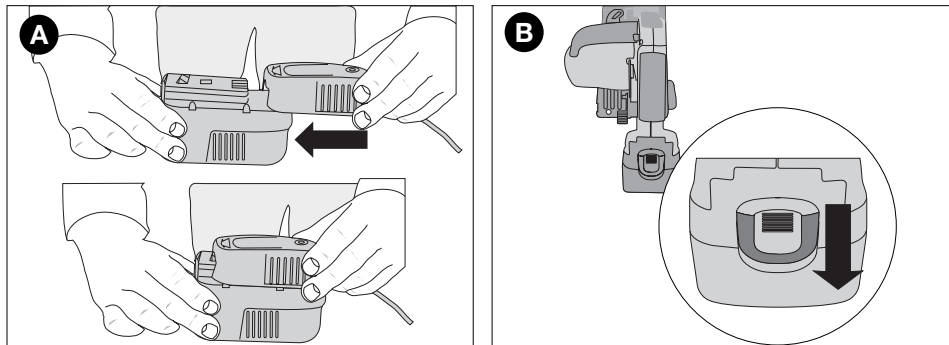
11. DO NOT incinerate the tool or batteries even if they are severely damaged or completely worn out. The batteries can explode in a fire.
12. A small leakage of liquid from the battery cells may occur under extreme usage, charging or temperature conditions. This does not indicate a failure. However, if the outer seal is broken and this leakage gets on your skin:
  - a. Wash quickly with soap and water.
  - b. Neutralize with a mild acid such as lemon juice or vinegar.
  - c. If the battery liquid gets in your eyes, flush them with clean water for a minimum of 10 minutes and seek immediate medical attention. **MEDICAL NOTE:** The liquid is a 25-35% solution of potassium hydroxide.

### CHARGING THE BATTERY

THE BATTERIES IN YOUR POWER PACK ARE NOT FULLY CHARGED AT THE FACTORY. BEFORE ATTEMPTING TO CHARGE THEM, THOROUGHLY READ ALL OF THE SAFETY INSTRUCTIONS.

The charger is designed to use standard household 120 volt 60 Hz power. **NOTE: Do not charge by means of an engine generator or DC power source. Use only 120V AC.**

1. Plug the charger into any standard 120 Volt 60 Hz electrical outlet.
2. Slide the charger onto the battery pack as shown in **Figure A** and let it charge initially for **9 hours**. After the initial charge, under normal usage, your power pack should be fully charged in **3 to 9 hours**.
3. Remove pack from the charger and place in tool. **NOTE:** To remove the battery from the saw, press down on the release button on the back of the battery (**Figure B**) and pull out.



### IMPORTANT CHARGING NOTES

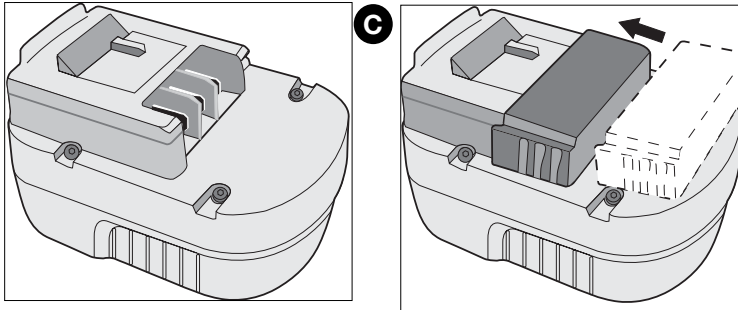
1. After normal usage, your power pack should be fully charged in 3 hours or less. If the power pack is run-down completely, it may take up to 9 hours to become fully charged. Your power pack was sent from the factory in an uncharged condition. Before attempting to use it, it must be charged for at least 9 hours.
2. DO NOT charge the power pack in an air temperature below 40°F or above 105°F. This is important and will prevent serious damage to the power pack. Longest life and best performance can be obtained if the power pack is charged when the air temperature is about 75°F.
3. While charging, the charger may hum and become warm to touch. This is a normal condition and does not indicate a problem.
4. If the power pack does not charge properly—(1) Check current at receptacle by plugging in a lamp or other appliance. (2) Check to see if receptacle is connected to a light switch which turns power off when you turn out the lights. (3) Move charger and power pack to a surrounding air temperature of 40°F to 105°F. (4) If the receptacle and temperature are OK, and you do not get proper charging, take or send the power pack and charger to your local Black & Decker service center. See Tools Electric in yellow pages.
5. The power pack should be recharged when it fails to produce sufficient power on jobs which were easily done previously. DO NOT CONTINUE using saw with its power pack in a depleted condition.
6. To prolong power pack life, avoid leaving the power pack on charge for more than 8 hours. Although overcharging is not a safety concern, it can significantly reduce overall power pack life.



7. When the battery is inserted into the charger, the red "Charging Indicator" light will come on indicating that there is contact between the battery and charger. The light will stay on as long as the battery is in the charger and the charger is plugged into a working outlet. It **WILL NOT** flash, go out or change to a different color when the charging cycle is complete.

### BATTERY CAP INFORMATION FIG. C

Battery storage and carrying caps are provided for use whenever the battery is out of the tool or charger. Remove cap before placing battery in charger or tool.

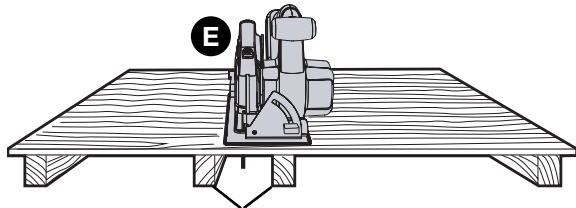
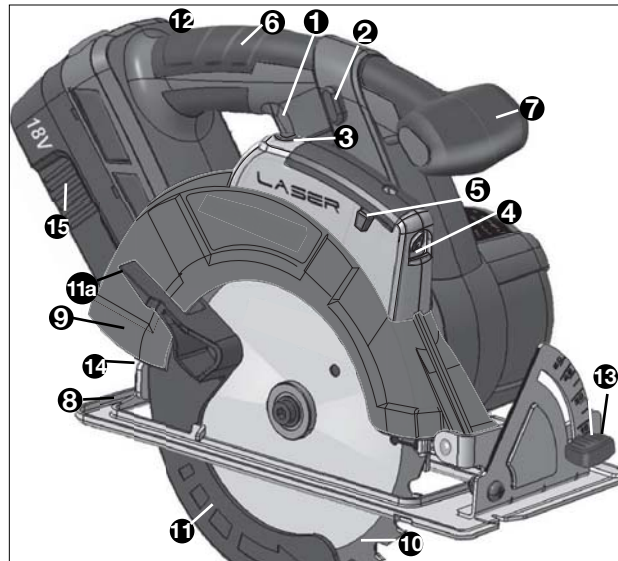


**⚠ WARNING! Fire Hazard.** Do not store or carry battery so that metal objects can contact exposed battery terminals. For example, do not place battery in aprons, pockets, tool boxes, product kit boxes, drawers, etc. with loose nails, screws, keys, etc. without battery cap. Transporting batteries can possibly cause fires if the battery terminals inadvertently come in contact with conductive materials such as keys, coins, hand tools and the like. The US Department of Transportation Hazardous Material Regulations (HMR) actually prohibit transporting batteries in commerce or on airplanes (i.e. packed in suitcases and carryon luggage) UNLESS they are properly protected from short circuits. So when transporting individual batteries, make sure that the battery terminals are protected and well insulated from materials that could contact them and cause a short circuit.

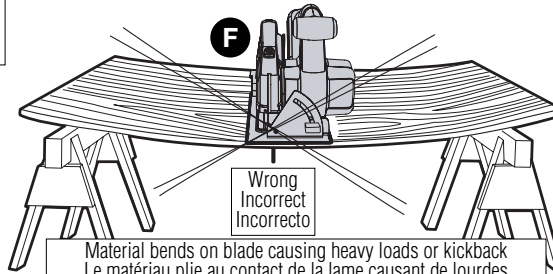
**OVERVIEW - FIGURE D**

- 1. On/off switch
- 2. Lock-off button
- 3. Laser on/off switch\*
- 4. Laser\*
- 5. Laser adjustment tabs\*
- 6. Main handle
- 7. Secondary handle
- 8. Shoe
- 9. Upper guard
- 10. Saw blade
- 11. Saw blade guard
- 11a. Blade guard retracting lever
- 12. Wrench (not shown)
- 13. Bevel adjustment knob
- 14. Depth adjustment lever (not shown)
- 15. Battery
- Spindle lock\*\* (not shown)

\*BDCSL1806 Only  
 \*\*BDCS2406 Only

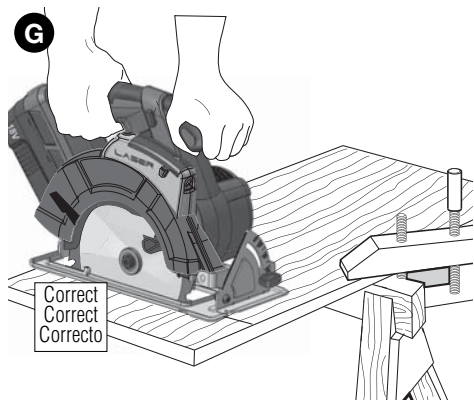


Support work near cut  
 Soutenir la pièce près de la ligne de coupe.  
 Apoye la pieza cerca del corte

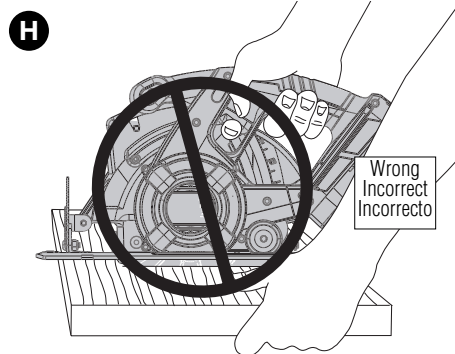


Wrong  
 Incorrect  
 Incorrecto

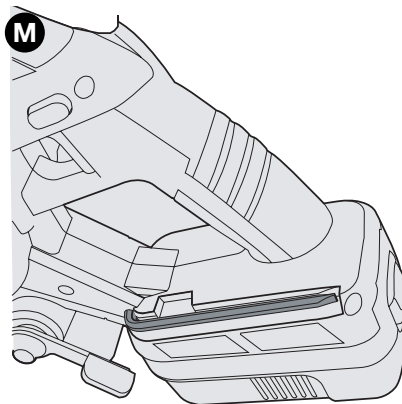
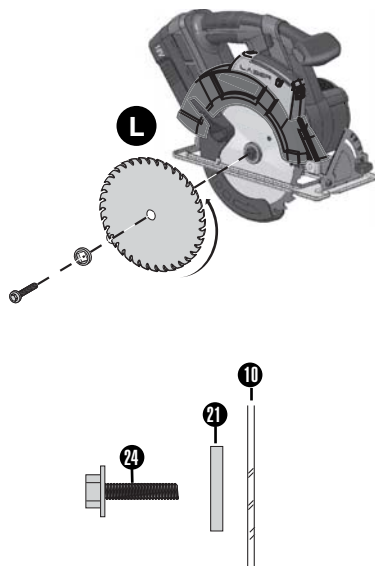
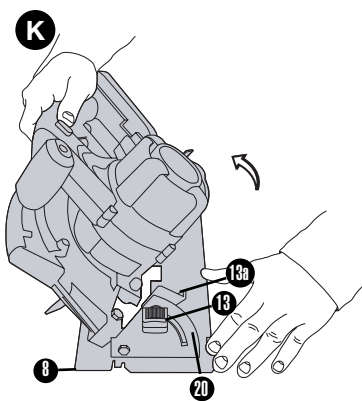
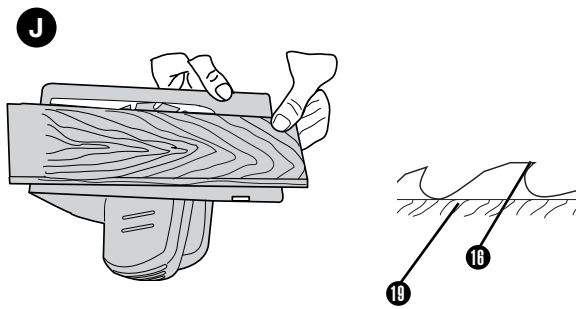
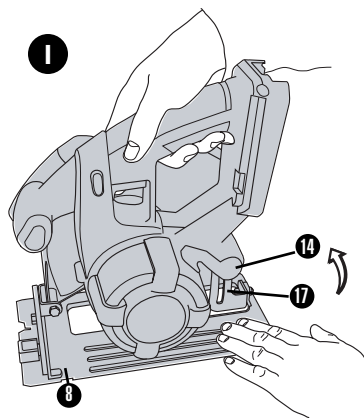
Material bends on blade causing heavy loads or kickback  
 Le matériau plie au contact de la lame causant de lourdes surcharges ou des rebonds.  
 El material oprime el disco ocasionando sobrecarga o contragolpe

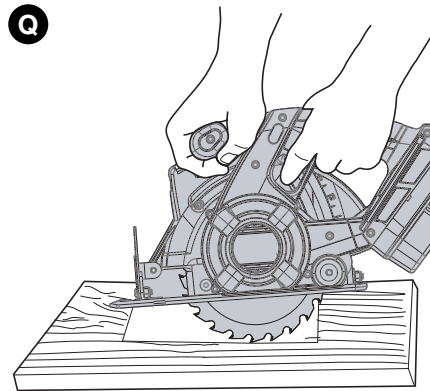
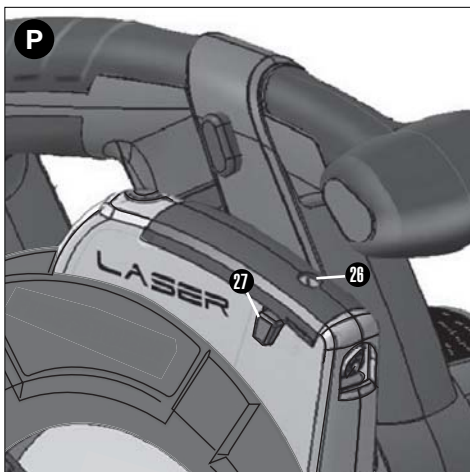
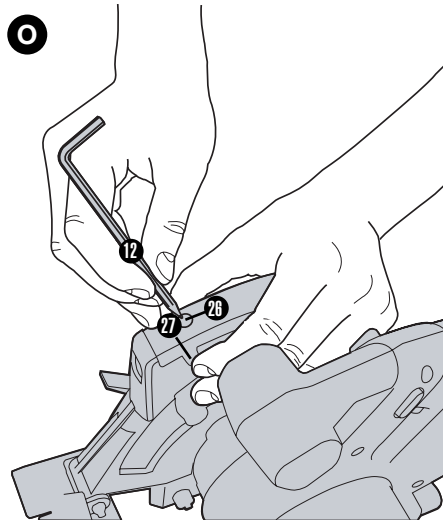
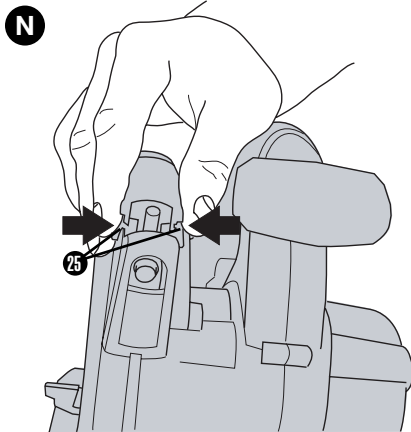


Correct  
 Correct  
 Correcto



Wrong  
 Incorrect  
 Incorrecto





## Assembly/Adjustment Set-Up

**⚠ WARNING: TO REDUCE THE RISK OF INJURY, ALWAYS REMOVE BATTERY FROM SAW BEFORE ANY OF THE FOLLOWING ADJUSTMENT OPERATIONS.**

### CUTTING DEPTH ADJUSTMENT - FIGURES I & J

The depth of cut should be set according to the thickness of the workpiece.

- Loosen the depth adjustment knob or lever (14) to unlock the saw shoe (8). **NOTE: Can be a knob or lever depending on model purchased.**
- Move the saw shoe into the desired position. The corresponding depth of cut can be read from the scale (17).
- Tighten the knob or lever to lock the saw shoe in place.
- Set depth adjustment of saw such that one tooth (18) of the blade projects below the workpiece (19) as shown in **figure J**.

### BEVEL ANGLE ADJUSTMENT - FIGURE K

This tool can be set to bevel angles between 0° and 50°.

- Loosen the bevel adjustment knob (13) to unlock the saw shoe.
- Move the saw shoe (8) into the desired position. The corresponding bevel angle can be read from the scale (20).
- Tighten the bevel adjustment knob (13) to lock the saw shoe in place.

**SHOE ADJUSTMENT FOR 90° CUTS**

IF ADDITIONAL ADJUSTMENT IS NEEDED:

- Adjust the saw to 0° bevel.
- Retract blade guard (11). Place the saw on blade side.
- Loosen bevel adjustment knob (13). Place a square against the blade (10) and shoe (8) to adjust the 90° setting.
- Loosen jam nut and move the adjustment screw (13a) so that the shoe will stop at the proper angle and retighten jam nut.
- Confirm the accuracy of the setting by checking the squareness of an actual cut on a scrap piece of material.

**OPERATING INSTRUCTIONS**

**⚠WARNING:** To reduce the risk of serious personal injury, read, understand and follow all important safety warnings and instructions prior to using tool.

**GENERAL CUTS****GUARD AGAINST KICKBACK**

**With battery removed, follow all assembly, adjustment and set up instructions.**

Make sure lower guard operates. Select the proper blade for the material to be cut.

- Measure and mark work for cutting.
- Support and secure work properly (See Safety Rules and Instructions).
- Use appropriate and required safety equipment (See Safety Rules).
- Secure and maintain work area (See Safety Rules).
- With battery inserted, make sure switch turns saw on and off.

**⚠WARNING:** To reduce the risk of injury, it is important to support the work properly and to hold the saw firmly to prevent loss of control which could cause personal injury. Fig. G illustrates typical hand support.

**ATTACHING AND REMOVING THE BLADE - FIGURE L, L1**

**NOTE:** The first time the blade bolt is removed from saw without a blade installed, it may be necessary to place the blade wrench on the bolt head and tap it sharply in the counter clockwise direction.

- Retract lower guard (11) and assemble blade (10) and clamp washer (21) as shown in figure L.
- **(BDCS2406 only)** To prevent blade rotation keep the spindle lock button (28) depressed and rotate the blade until the spindle lock engages (figure L).
- Tighten the blade clamping screw securely with the blade wrench.
- **(All other models)** To prevent blade rotation while tightening the blade clamping screw (20), raise the lower guard and place the saw down on a piece of scrap wood as shown in Fig. L1. The blade teeth will dig into the scrap wood and prevent rotation of the blade.
- Tighten the blade clamping screw securely with the blade wrench.

**NOTE:** The blade wrench is stored in the saw housing as shown in figure M.

**Lower Blade Guard**

**⚠WARNING:** Laceration Hazard. The lower blade guard is a safety feature which reduces the risk of serious personal injury. Never use the saw if the lower guard is missing, damaged, misassembled or not working properly. Do not rely on the lower blade guard to protect you under all circumstances. Your safety depends on following all warnings and precautions as well as proper operation of the saw. Check lower guard for proper closing before each use as outlined in Additional Safety Rules for Circular Saws. If the lower blade guard is missing or not working properly, have the saw serviced before using. To assure product safety and reliability, repair, maintenance and adjustment should be performed by an authorized service center or other qualified service organization, always using identical replacement parts.

**⚠WARNING:** To minimize the risk of eye injury, always use eye protection. Carbide is a hard but brittle material. Foreign objects in the work piece such as wire or nails can cause tips to crack or break. Only operate saw when proper saw blade guard is in place. Mount blade securely in proper rotation before using, and always use a clean, sharp blade.

**⚠CAUTION:** Do not cut ferrous metals (steel), masonry, glass or tile with this saw.

A dull blade will cause slow, inefficient cutting overload on the saw motor, excessive splintering, and could increase the possibility of kickback.

## SWITCH

Saw is equipped with a switch lock-off feature to prevent unintentional running.

- To operate the tool, press in on the lock-off button (2) from either side of the saw and hold it in as you depress the trigger switch (1).
- After you have depressed the trigger and the tool is running, release the lock-off button. The tool will continue to run as long as the trigger is depressed.
- To turn the tool off, release the trigger switch.

NOTE: This tool has no provision for locking the tool on, and the switch should never be locked on by any other means.

## AUTOMATIC ELECTRIC BRAKE

Your saw is equipped with an electric blade brake which stops the saw blade within 1-1/2 seconds of trigger release. This is automatic and requires no adjustment.

Occasionally, under certain conditions, the brake will not function properly and won't stop the saw in the 1-1/2 seconds as discussed above. If this condition occurs:

- Turn the saw on and off four or five times.
- If the problem still persists, have the tool serviced at a Black & Decker service center or company authorized service facility.

## OPERATING THE LASER - (BDCSL1806 ONLY)

### INSTALLING THE BATTERIES - FIGURE N

**⚠ WARNING: LASER RADIATION. BE CERTAIN THE LASER ON/OFF BUTTON IS IN THE OFF POSITION (SEE SECTION "SWITCHING THE LASER ON AND OFF") BEFORE INSTALLING BATTERIES.**

Lift the battery door (25) off the laser module (4) by gently squeezing the front of the door as shown in figure N. Insert 2 fresh 1.5 volt AAA batteries making sure to match (+) and (-) terminals correctly. Reattach the battery door.

**⚠ WARNING: Batteries can explode, or leak, and can cause injury or fire.** To reduce this risk:

- Carefully follow all instructions and warnings on the battery label and package.
- Always insert batteries correctly with regard to polarity (+ and -), marked on the battery and the equipment.
- Do not short battery terminals.
- Do not charge batteries.
- Do not mix old and new batteries. Replace all of them at the same time with new batteries of the same brand and type.
- Remove dead batteries immediately and dispose of per local codes.
- Do not dispose of batteries in fire.
- Keep batteries out of reach of children.
- Remove batteries if the device will not be used for several months.

"Transporting batteries can possibly cause fires if the battery terminals inadvertently come in contact with conductive materials such as keys, coins, hand tools and the like. The US Department of Transportation Hazardous Material Regulations (HMR) actually prohibit transporting batteries in commerce or on airplanes (i.e. packed in suitcases and carryon luggage) UNLESS they are properly protected from short circuits. So when transporting individual batteries, make sure that the battery terminals are protected and well insulated from materials that could contact them and cause a short circuit."

### ON BOARD LASER

Your saw is equipped with an on board laser which is turned on and off separately from the saw.

**⚠ WARNING: LASER RADIATION. Never aim the beam at a workpiece with a reflective surface.** Bright shiny reflective sheet steel or similar reflective surfaces are not recommended for laser use. Reflective surfaces could direct the beam back toward the operator.

**⚠ DANGER: LASER RADIATION. AVOID DIRECT EYE EXPOSURE. Do not stare into the laser light source. Never aim light at another person or object other than the workpiece.** Laser light can damage your eyes.

**⚠ WARNING: DO NOT use tinted glasses to enhance the laser light.** Tinted glasses will reduce overall vision for the application and interfere with the normal operation of the tool.

### SWITCHING THE LASER ON AND OFF

- To turn the laser on, press the laser on/off button (3). To turn the laser off, press the button a second time.

NOTE: The laser on/off button occupies two different positions, the lower position is "on" (slightly depressed below flush) and the upper position is "off" (button is flush with the surface).

### ADJUSTING THE LASER - FIGURE O&P

**⚠ CAUTION: TURN OFF TOOL AND REMOVE BATTERY PACK FROM SAW BEFORE CHANGING ACCESSORIES OR MAKING ANY ADJUSTMENTS.**

The laser can be adjusted to remove lateral and angular error.

- Using a securely mounted scrap piece of plywood or sheathing make a partial cut with this saw at least as long as the shoe.
- Turn the saw off, hold the saw motionless and after the blade stops rotating, remove the saw from the cut.
- Using a straight edge and pencil, draw a straight line on the plywood as if extending the cut from where it ended.
- **REMOVE THE SAW BATTERY BEFORE MAKING LASER ADJUSTMENTS.**
- With the saw set at maximum depth of cut, retract the lower guard and place the saw blade back in the cut to where it ended (at the start of the pencil line).
- With the saw shoe sitting solidly on the plywood, turn the laser on, loosen the laser adjustment screw (26) with the supplied wrench (12) and use the adjustment tabs (27) on each side of the laser module to align the laser line with the pencil line then retighten the adjustment screw.
- Turn the laser off and remove the saw from the cut before reinserting the saw battery.

### TO USE THE LASER LINE

- Mark the line that you intend to cut on the workpiece.
- Adjust the depth and angle of cut as required.
- Push the laser on/off switch (3) to the "ON" position and project the laser beam.
- Push in on the lock-off button (2) and depress the saw on/off switch (1) and allow the blade to reach maximum speed.
- Place the saw shoe on the workpiece. Align the laser line with the mark on the workpiece and slowly push the saw forward keeping the laser line on the mark.
- Upon completion of the cut, release the trigger and allow the saw blade to come to a complete stop before switching off the laser.

### SAWING OPERATION

**⚠ WARNING:** To reduce the risk of serious personal injury, always hold the tool with both hands.

- Let the blade run freely for a few seconds before starting the cut.
- Apply only a gentle pressure to the tool while performing the cut.
- Work with the shoe pressed against the workpiece.

### POCKET CUTTING - FIGURE Q

**⚠ CAUTION:** Never move the saw backwards when pocket cutting. This may cause the unit to raise up off the work surface which could cause injury.

**⚠ WARNING: Laceration Hazard.** Never tie the blade guard in a raised position.

Pocket cutting is used to cut a hole in a piece of material without cutting from the side.

- Measure and mark work.
- Tilt saw forward and rest front of the shoe on material to be cut. Align so that cut will begin at the back of the drawn rectangle.
- Using the retracting lever, retract blade guard to an upward position, with the blade just clearing the material, start motor and gradually lower the saw into the material.

**⚠ WARNING: Laceration Hazard.** As blade starts cutting the material, release the retracting lever immediately.

- When the shoe rests flat on the material being cut, complete the cut in forward direction.
- Allow the blade to come to a complete stop before lifting saw from material.
- When starting each new cut, repeat the above steps.

## MAINTENANCE

### REMOVE BATTERY FROM SAW WHEN PERFORMING ANY CLEANING OR OTHER MAINTENANCE.

Use only mild soap and damp cloth to clean the tool. Never let any liquid get inside the tool; never immerse any part of the tool into a liquid. **IMPORTANT:** To assure product SAFETY and RELIABILITY, repairs, maintenance and adjustment should be performed by authorized service centers or other qualified service organizations, always using identical replacement parts

### Accessories

Recommended accessories for use with your tool are available from your local dealer or authorized service center. If you need assistance regarding accessories, please call:

**1-800-544-6986.**

**⚠WARNING:** The use of any accessory not recommended for use with this tool could be hazardous.

Model	Blade Diameter
BDCS1806 BDCSL1806 BDGCS1806 BDCS2406	6-1/2 inch (165mm)
BDCS1807	7-1/4 inch (185mm)

Only use thin kerf blades. Using thicker blades will hamper performance of saw. Carbide blades are strongly recommended for optimum saw performance. **NEVER USE ABRASIVE TYPE OR METAL CUTTING BLADES ON SAW.**

Troubleshooting		
Problem	Possible Cause	Possible Solution
• Unit will not start.	• Battery not installed properly.	• Check battery installation.
	• Battery not charged.	• Check battery charging requirements.
• Battery will not charge.	• Battery not inserted into charger.	• Insert battery into charger until red LED appears.
	• Charger not plugged in.	• Plug charger into a working outlet. Refer to "Important Charging Notes" for more details.
	• Surrounding air temperature too hot or too cold.	• Move charger and tool to a surrounding air temperature of above 40 degrees F (4,5°C) or below 105 degrees F (+40,5°C).

For assistance with your product, visit our website [www.blackanddecker.com](http://www.blackanddecker.com) for the location of the service center nearest you or call the BLACK & DECKER help line at **1-800-544-6986.**



**THE RBRC™ SEAL**

The RBRC™ (Rechargeable Battery Recycling Corporation) Seal on the nickel-cadmium battery (or battery pack) indicates that the costs to recycle the battery (or battery pack) at the end of its useful life have already been paid by Black & Decker. In some areas, it is illegal to place spent nickel-cadmium batteries in the trash or municipal solid waste stream and the RBRC program provides an environmentally conscious alternative.



RBRC in cooperation with Black & Decker and other battery users, has established programs in the United States and Canada to facilitate the collection of spent nickel-cadmium batteries. Help protect our environment and conserve natural resources by returning the spent nickel-cadmium battery to an authorized Black & Decker service center or to your local retailer for recycling. You may also contact your local recycling center for information on where to drop off the spent battery, or call **1-800-8-BATTERY**.

**SERVICE INFORMATION**

Black & Decker offers a full network of company-owned and authorized service locations throughout North America. All Black & Decker Service Centers are staffed with trained personnel to provide customers with efficient and reliable power tool service.

Whether you need technical advice, repair, or genuine factory replacement parts, contact the Black & Decker location nearest you.

To find your local service location, refer to the yellow page directory under "Tools—Electric" or call: **1-800-544-6986**

**FULL TWO-YEAR HOME USE WARRANTY**

Black & Decker (U.S.) Inc. warrants this product for two years against any defects in material or workmanship. The defective product will be replaced or repaired at no charge in either of two ways.

The first, which will result in exchanges only, is to return the product to the retailer from whom it was purchased (provided that the store is a participating retailer). Returns should be made within the time period of the retailer's policy for exchanges (usually 30 to 90 days after the sale). Proof of purchase may be required. Please check with the retailer for their specific return policy regarding returns that are beyond the time set for exchanges.

The second option is to take or send the product (prepaid) to a Black & Decker owned or authorized Service Center for repair or replacement at our option. Proof of purchase may be required. Black & Decker owned and authorized Service Centers are listed under "Tools-Electric" in the yellow pages of the phone directory.

This warranty does not apply to accessories. This warranty gives you specific legal rights and you may have other rights which vary from state to state and province to province. Should you have any questions, contact the manager of your nearest Black & Decker Service Center. This product is not intended for commercial use.

**Free Warning Label Replacement:** If your warning labels become illegible or are missing, call **1-800-544-6986** for a free replacement.

**TECHNICAL SPECIFICATIONS OF LASER:**

Laser diode wavelength:	633-670nm (red color)
Laser Class:	IIIa
Operating temperature:	41°F (5°C) - 104° F (40°C)
Accuracy:	+/- 1.8mm at every 300 mm

Imported by  
Black & Decker (U.S.)  
Inc.,  
701 E. Joppa Rd.  
Towson, MD 21286  
U.S.A.



See 'Tools-Electric'  
- Yellow Pages -  
for Service & Sales



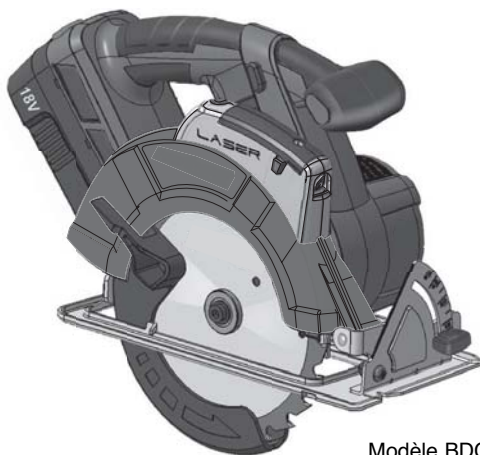
**BLACK & DECKER®**

**SCIES CIRCULAIRES SANS FIL DE 165 MM  
(6 1/2 PO) ET DE 185 MM (7 1/4 PO)**

## **GUIDE D'UTILISATION**

**Numéros de  
catalogue**

**BDCS1806  
BDCSL1806  
BDGCS1806  
BDCS1807  
BDCS2406**



Modèle BDCSL1806 illustré

**MERCI D'AVOIR CHOISI BLACK & DECKER !  
VISITEZ [WWW.BLACKANDDECKER.COM/NEWOWNER](http://WWW.BLACKANDDECKER.COM/NEWOWNER)  
POUR ENREGISTRER VOTRE NOUVEAU PRODUIT.**

**AVANT DE RETOURNER CE PRODUIT POUR QUELQUE  
RAISON QUE CE SOIT, COMPOSER LE  
1-800-544-6986**

AVANT D'APPELER, AYEZ EN MAIN LE N° DE CATALOGUE ET LE CODE DE DATE. DANS LA PLUPART  
DES CAS, UN REPRÉSENTANT DE BLACK & DECKER PEUT RÉSOUDRE LE PROBLÈME PAR  
TÉLÉPHONE. SI VOUS AVEZ UNE SUGGESTION OU UN COMMENTAIRE, APPELEZ-NOUS. VOS  
IMPRESSIONS SONT CRUCIALES POUR BLACK & DECKER.

**CONSERVER CE MANUEL POUR UN USAGE ULTÉRIEUR.**

## ⚠ MESURES DE SÉCURITÉ

⚠ **AVERTISSEMENT : LIRE ET COMPRENDRE TOUTES LES DIRECTIVES.** Le non-respect de toutes les directives suivantes présente des risques de secousses électriques, d'incendie ou de blessures graves.

### CONSERVER CES MESURES.

#### ZONE DE TRAVAIL

- **S'assurer que la zone de travail est propre et bien éclairée.** Des établis encombrés et des endroits sombres présentent des risques d'accidents.
- **Ne pas utiliser des outils électriques en présence de vapeurs explosives (comme celles dégagées par des liquides, des gaz ou des poussières inflammables).** Les étincelles générées par le moteur des outils électriques peuvent enflammer les poussières ou les vapeurs.
- **Éloigner les curieux, les enfants et les visiteurs de la zone de travail lorsqu'on utilise un outil électrique.** Une distraction peut entraîner la perte de maîtrise de l'outil.

#### MESURES DE SÉCURITÉ RELATIVES À L'ÉLECTRICITÉ

- **Manipuler le cordon avec soin. Ne jamais se servir du cordon afin de transporter l'outil ni tirer sur le cordon pour débrancher l'outil. Éloigner le cordon des sources de chaleur, des flaques d'huile, des arêtes tranchantes et des pièces mobiles. Remplacer immédiatement les cordons endommagés.** Les cordons endommagés augmentent les risques de secousses électriques.
- **Il faut charger un outil à piles intégrées ou un ensemble de piles seulement dans le chargeur conçu à cet effet.** Un chargeur convenant pour un type de piles peut présenter un risque d'incendie lorsqu'on s'en sert avec un autre type de piles.
- **Utiliser un outil alimenté par piles seulement avec la pile appropriée.** L'utilisation de toute autre pile présente des risques d'incendie.

#### SÉCURITÉ PERSONNELLE

- **Demeurer vigilant, prendre soin et faire preuve de jugement lorsqu'on utilise un outil électrique.** Ne pas s'en servir lorsqu'on est fatigué ou affaibli par des drogues, de l'alcool ou des médicaments. De graves blessures peuvent résulter d'un moment d'inattention lors de l'utilisation d'un outil électrique.
- **Porter des vêtements appropriés. Éviter de porter des vêtements amples ou des bijoux. Recouvrir la chevelure si elle est longue.** Éloigner les cheveux, les vêtements et les gants des pièces en mouvement qui peuvent les happer.
- **Éviter les démarrages accidentels. S'assurer que l'interrupteur est en position hors tension avant de brancher l'outil.** Afin d'éviter les risques de blessures, ne pas transporter l'outil avec le doigt sur l'interrupteur ni brancher un outil dont l'interrupteur est en position sous tension.
- **Enlever les clés de réglage avant de mettre l'outil sous tension.** Une clé qui est laissée sur une pièce rotative de l'outil présente des risques de blessures.
- **Ne pas dépasser sa portée. Garder son équilibre en tout temps.** On s'assure d'une meilleure maîtrise de l'outil dans des situations imprévues grâce à une position stable et un bon équilibre.
- **Porter de l'équipement de sécurité. Toujours porter des lunettes de sécurité.** Dans certaines conditions, il faut porter des masques respiratoires, des chaussures antidérapantes, un casque de sécurité ou des protège-tympans.

#### UTILISATION ET ENTRETIEN DE L'OUTIL

- **Utiliser des pinces de serrage ou de tout autre moyen pratique afin de fixer et de soutenir la pièce à ouvrir sur une plate-forme stable.** La pièce est instable lorsqu'elle est retenue par la main ou le corps de l'utilisateur. Cela présente des risques de perte de maîtrise de l'outil.
- **Ne pas forcer l'outil. Utiliser l'outil approprié à la tâche.** L'outil approprié fonctionne mieux et sûrement lorsqu'on s'en sert à son rendement nominal.
- **Ne pas se servir de l'outil lorsque l'interrupteur est défectueux.** Le cas échéant, l'outil est dangereux et il faut le réparer.
- **Débrancher l'outil de la source d'alimentation avant de le régler, d'en remplacer les accessoires ou de le ranger.** On minimise de la sorte le risque de démarrage accidentel de l'outil.

- **Ranger l'outil hors de portée des enfants et de toute autre personne qui n'en connaît pas le fonctionnement.** L'outil est dangereux entre les mains de ces personnes.
- **Prendre soin des outils. S'assurer que les outils de coupe sont tranchants et propres.** Des outils bien entretenus à arêtes tranchantes ont moins tendance à se coincer et ils se maîtrisent mieux.
- **Vérifier l'alignement et les attaches des pièces mobiles, le degré d'usure des pièces ainsi que tout autre facteur susceptible de nuire au bon fonctionnement de l'outil.** Faire réparer un outil endommagé avant de s'en servir. Des outils mal entretenus sont la cause de nombreux accidents.
- **Utiliser seulement les accessoires recommandés par le fabricant.** Des accessoires qui conviennent à un outil peuvent présenter des risques avec un autre outil.

## ENTRETIEN

- **Confier l'entretien de l'outil seulement à du personnel qualifié.** Le non-respect de la présente directive présente des risques de blessures.
- **Lors de l'entretien de l'outil, utiliser seulement des pièces de rechange identiques.** Respecter les consignes relatives à l'entretien du présent guide d'utilisation. Il y a risque de secousses électriques ou de blessures lorsqu'on utilise des pièces non autorisées ou lorsqu'on ne respecte pas les consignes relatives à l'entretien.

## ⚠ MESURES DE SÉCURITÉ SPÉCIFIQUES

⚠ **DANGER** : Éloigner les mains de la zone de coupe et de la lame. Laisser l'autre main sur la poignée auxiliaire ou sur le carter du moteur. Lorsque les deux mains tiennent la scie, la lame ne peut pas les couper.

- **Se placer d'un côté ou de l'autre de la lame de la scie, jamais derrière.** Un REBOND provoquerait le saut de la scie vers l'arrière. (Voir la rubrique relatives aux cause de rebonds et à leur prévention.)
- **Ne pas placer les doigts sous la pièce à ouvrir.** Le protecteur ne protège pas les doigts de la lame sous la pièce.
- **Vérifier le bon fonctionnement du protecteur inférieur avant chaque utilisation.** Ne jamais se servir de la scie lorsque le protecteur inférieur est coincé et qu'il se referme instantanément. Ne jamais fixer ni attacher le protecteur inférieur en position ouverte. En cas de chute accidentelle de la scie, le protecteur inférieur peut être tordu ou cassé. Le soulever à l'aide du ressort de rappel et s'assurer de son bon fonctionnement, vérifier s'il ne touche pas à la lame ou à tout autre composant à tous les angles et toutes les profondeurs de coupe.
- **Vérifier le fonctionnement et l'état du ressort du protecteur inférieur.** Lorsque le ressort et le protecteur ne fonctionnent pas bien, il faut les réparer avant d'utiliser l'outil. Des pièces endommagées, des dépôts gluants ou une accumulation de débris peuvent causer le mauvais fonctionnement du protecteur inférieur.
- **Le protecteur inférieur se soulève manuellement seulement pour effectuer des coupes particulières (comme des coupes en retrait ou des coupes mixtes).** Se servir du ressort de rappel afin de soulever le protecteur inférieur. Dès que la lame entre en contact avec le matériau, il faut le relâcher le protecteur inférieur. Pour toutes les autres coupes, le protecteur inférieur doit fonctionner automatiquement.
- **Toujours s'assurer que le protecteur inférieur couvre la lame avant de déposer la scie sur l'établi ou le plancher.** Si la lame tourne et qu'elle n'est pas recouverte, la scie se déplacera vers l'arrière en découpant tout sur son chemin. Vérifier le temps d'immobilisation complète de la lame après avoir relâché l'interrupteur.
- **NE JAMAIS tenir la pièce à couper dans les mains ni sur les jambes.** Il est essentiel de bien soutenir la pièce afin de minimiser les risques de blessures, de coincement de la lame ou de perte de maîtrise de l'outil.
- **Saisir l'outil par ses surfaces de grippe isolées lorsqu'on découpe et que l'outil pourrait entrer en contact avec un fil sous tension caché ou son propre cordon.** Le contact avec des fils sous tension rend les pièces métalliques à découvert de l'outil sous tension et présente des risques de secousses électriques.
- **Toujours utiliser un guide de refente ou un guide à rebord droit pour effectuer des coupes de refente.** On améliore de la sorte la précision de la coupe et on minimise les risques de coincement de la lame.
- **Toujours utiliser des lames de dimensions appropriées et à trou d'arbre de formes**

**appropriées (en forme de diamant ou de cercle).** Des lames ne correspondant pas aux accessoires de montage de l'outil auront un mouvement excentrique et entraîneront la perte de maîtrise de l'outil.

- **Ne jamais utiliser des rondelles ou des boulons endommagés ou inappropriés pour la lame.** Les rondelles et boulons de lame ont été conçus spécifiquement pour la scie afin d'en optimiser le rendement et la sûreté.

### **Cause de rebonds et mesures de prévention**

- Le rebond est une réaction soudaine au coincement, à la torsion ou au mauvais alignement de la lame qui cause le soulèvement incontrôlable de la scie hors de la pièce et vers l'arrière.
- Lorsque la lame est coincée dans la voie qui se referme, elle bloque et le moteur réagit en faisant reculer rapidement la scie vers l'utilisateur.
- Lorsque la lame est tordue ou mal alignée dans la coupe, les dents à l'arrière de la lame peuvent s'enfoncer sur le dessus du matériau et faire sortir la lame de sa trajectoire vers l'arrière.
- Une mauvaise utilisation de l'outil ou le non-respect des consignes causent les rebonds et on peut y remédier en prenant les mesures appropriées suivantes.
- Bien saisir l'outil des deux mains et placer le corps et les bras de manière à résister aux forces de rebond. L'utilisateur peut maîtriser ces forces en prenant les mesures appropriées.
- Lorsque la lame se coince ou ne coupe plus, peu importe la raison, relâcher la détente et laisser la scie dans le matériau sans la bouger jusqu'à l'immobilisation complète de la lame. Ne jamais tenter de retirer la scie du matériau ne de la faire reculer lorsque la lame tourne car cela présente des risques de rebond. Vérifier le problème et y remédier.
- Lorsqu'on démarre de nouveau la scie dans le matériau, centrer la lame dans la voie et s'assurer que les dents de la lame ne sont pas en contact avec le matériau. Si la lame est coincée, il y a risque de rebond au moment du redémarrage.
- **Soutenir les grands panneaux afin de minimiser les risques de coincement de la lame et de rebonds.** Les grands panneaux ont tendance à s'affaisser sous leur propre poids. Les éléments de soutien doivent être placés sous le panneau de chaque côté, près de la ligne de coupe et du rebord du panneau.
- **Ne pas utiliser une lame émoussée ou endommagée.** Une lame mal affûtée ou réglée donne une voie étroite et cause de la friction, le coincement de la lame et des risques de rebond.
- **Les leviers de verrouillage du réglage de la profondeur et de l'angle de coupe doivent être serrés et fixés avant d'effectuer la coupe.** Lorsque les réglages sont modifiés en cours de coupe, il y a risque de coincement de la lame et de rebonds.
- **Faire preuve d'une extrême prudence lors de coupes en retrait dans des murs existants ou à tout autre endroit qui cache la face arrière.** La lame pourrait alors couper des objets qui présentent des risques de rebonds.

## **⚠ MESURES DE SÉCURITÉ ADDITIONNELLES : Scies circulaires**

**⚠ AVERTISSEMENT :** Certains outils, tels que les sableuses électriques, les scies, les meules, les perceuses ou certains autres outils de construction, peuvent soulever de la poussière contenant des produits chimiques susceptibles d'entraîner le cancer, des malformations congénitales ou pouvant être nocifs pour le système reproductif. Parmi ces produits chimiques, on retrouve :

- le plomb dans les peintures à base de plomb;
- la silice cristalline dans les briques et le ciment et autres produits de maçonnerie;
- l'arsenic et le chrome dans le bois de sciage ayant subi un traitement chimique (CCA).

Le risque associé à de telles expositions peut varier selon la fréquence avec laquelle on effectue ces travaux. Pour réduire l'exposition à de tels produits, il faut travailler dans un endroit bien ventilé et utiliser l'équipement de sécurité approprié tel un masque anti-poussières spécialement conçu pour filtrer les particules microscopiques.

- **Éviter tout contact prolongé avec la poussière soulevée par cet outil ou autres outils électriques. Porter des vêtements de protection et nettoyer les parties**

**exposées du corps avec de l'eau savonneuse.** S'assurer de bien se protéger afin d'éviter d'absorber par la bouche, les yeux ou la peau des produits chimiques nocifs.

**⚠ AVERTISSEMENT : Cet outil peut produire et répandre de la poussière susceptible de causer des dommages sérieux et permanents au système respiratoire.** Toujours utiliser un appareil respiratoire anti-poussières approuvé par le NIOSH ou l'OSHA. Diriger les particules dans le sens opposé du visage et du corps.

**⚠ MISE EN GARDE : porter une protection auditive appropriée pour utiliser l'appareil.** Dans certaines conditions et selon la durée d'utilisation, le bruit provoqué par ce produit peut contribuer à une perte auditive.

• **Lorsque le protecteur inférieur se bloque sur une surface sous le niveau du matériau découpé, l'utilisateur peut perdre momentanément la maîtrise de l'outil.** La scie peut alors se soulever partiellement hors de la coupe ce qui augmente les risques de torsion de la lame. S'assurer qu'il y a suffisamment de jeu sous le matériau.

• **Lorsqu'il faut soulever manuellement le protecteur inférieur, se servir du ressort de rappel.**

• **S'ASSURER QUE LES LAMES SONT PROPRES ET AFFÛTÉES.** On minimise les risques de blocage et de rebond en se servant de lames affûtées. L'utilisation d'une lame émoussée ou sale augmente la charge de la scie. L'utilisateur pousse alors davantage sur la scie ce qui favorise la torsion de la lame.

**⚠ DANGER : ÉLOIGNER LES MAINS DE LA ZONE DE COUPE.** Éloigner les mains de la lame. Ne jamais placer les mains devant ou derrière le trajet de la lame pendant la coupe. Ne pas placer les mains sous le matériau lorsque la lame tourne. Ne pas tenter d'enlever des matériaux coupés lorsque la lame tourne.

• **SOUTENIR LES GRANDS PANNEAUX.** Il faut soutenir les grands panneaux de la façon illustrée à la figure E & F du présent guide afin de minimiser les risques de blocage de la lame et de rebond. Lorsque la scie doit reposer contre le panneau pendant la coupe, il faut la placer sur la partie la plus large du panneau alors qu'on en coupe la partie la plus étroite.

• **UTILISER LES LAMES ET LES FERRURES APPROPRIÉES LORSQU'ON INSTALLE UNE LAME.** Ne pas utiliser une lame dont le diamètre du trou n'est pas correct. Ne jamais utiliser de rondelles ni de boulons de lames défectueux ou inappropriés. Respecter les consignes d'installation de la lame.

• **RÉGLAGES.** Avant de couper, s'assurer que les réglages de la profondeur et de l'angle de coupe sont bien serrés.

• **BIEN SOUTENIR ET FIXER LE MATÉRIAU.** S'assurer que le matériau à découper est fixé (fig. G), bien soutenu et en équilibre sur une surface de travail solide, stable et de niveau. Soutenir le matériau de sorte que la portion large du patin de la scie repose contre la portion du matériau qui ne tombe pas après la coupe. Ne jamais retenir le matériau découpé à la main (fig. H). Cela présente des risques de REBOND en raison du coincement de la lame. Laisser les deux mains sur la scie en tout temps.

• **DEMEURER VIGILANT ET GARDER LE CONTRÔLE DE LA SITUATION.** Se placer d'un côté de la scie. Toujours la saisir fermement et la maîtriser des deux mains. Ne pas modifier sa prise ni sa position lorsque la scie fonctionne. Éviter d'être blessé par les bouts de matériau découpés.

• **METTRE LA SCIE HORS TENSION** et la débrancher avant de nettoyer la fenêtre d'observation de la lame.

### Mesures de précaution contre les rebonds

• **QU'EST-CE QU'UN REBOND?** Il s'agit d'un mouvement soudain de la scie, pendant une coupe, vers l'utilisateur qui peut causer de graves blessures.

**⚠ DANGER : RELÂCHER IMMÉDIATEMENT L'INTERRUPTEUR EN CAS DE COINCEMENT DE LA LAME OU DE BLOCAGE DE LA SCIE.**

• **CAUSES DE REBONDS** la lame de la scie est coincée, tordue ou bloquée pendant la coupe, ou la scie cale. Lorsque la lame est tordue ou mal alignée dans la coupe, les dents à l'arrière de la lame peuvent s'enfoncer sur le dessus du matériau et faire sortir la lame de sa trajectoire vers l'arrière.

### MESURES POUR MINIMISER LES RISQUES DE REBONDS

- Saisir fermement la scie à l'aide des deux mains en tout temps.
- Demeurer vigilant – contrôler la situation.
- Soutenir les matériaux longs qui dépassent. En effet, pendant la coupe, le matériau s'affaisse et risque de coincer la lame.
- Soutenir les grands panneaux de la façon illustrée. Les matériaux soutenus de la manière

montrée présentent des risques de coincement de la lame.

- Éviter de découper dans les airs. Le matériau peut s'affaisser et coincer la lame.
- S'assurer que les lames sont propres et affûtées.
- Utiliser un guide de refente ou à rebord droit pour effectuer des coupes de refente. S'assurer que le matériau découpé ne s'affaisse pas ou ne se tord pas car cela pourrait coincer la lame et causer un rebond.
- Ne pas forcer l'outil. Différents facteurs inhérents au bois (comme les nœuds, la dureté, la résistance, la teneur en humidité, le traitement sous pression et le degré de séchage) peuvent charger lourdement la scie et la faire caler. Il faut pousser lentement le cas échéant.
- Ne pas retirer la scie de la coupe lorsque la lame tourne.
- Attendre le plein régime de la scie avant de mettre la lame en contact avec le matériau à découper. Le démarrage de la scie avec la lame en contact avec le matériau ou avec la lame poussée dans la coupe présente des risques de blocage ou de mouvement soudain vers l'arrière de la scie.
- Ne jamais soulever la scie lors d'une coupe en biseau. Cela coince et bloque la lame.
- Toujours fixer le matériau afin d'en empêcher le mouvement pendant la coupe.
- Ne pas forcer la scie vers la ligne de coupe lorsqu'on s'en éloigne. Cela présente des risques de rebonds. Il faut plutôt arrêter la scie et attendre l'immobilisation complète de la lame. Retirer alors la scie de la ligne de coupe et recommencer sur la ligne de coupe.
- Régler la profondeur de coupe de sorte qu'une dent de la lame dépasse sous le matériau.
- Ne pas faire reculer une lame en mouvement dans la coupe. Cela présente des risques de torsion de la lame. Le rebord arrière de la lame s'enfoncerait alors dans le matériau et ferait ressortir la scie du matériau vers l'utilisateur.
- Éviter de couper des clous. Vérifier s'il y en a dans le matériau et les retirer au préalable.
- Certaines essences de bois renferment des agents de conservation (comme de l'arséniate de cuivre et de chrome) qui peuvent être toxiques. Lorsqu'on doit couper de tels matériaux, prendre des mesures supplémentaires afin d'éviter d'inhaler les vapeurs toxiques et de minimiser les contacts avec la peau.

### **DIRECTIVES DE SÉCURITÉ POUR LASERS (MODÈLE BDCSL1806 SEULEMENT)**

- ⚠ **DANGER:** rayonnement laser; éviter tout contact direct avec les yeux, des blessures graves aux yeux peuvent en résulter.
- Ne pas utiliser d'instruments optiques comme un télescope ou un théodolite pour observer le faisceau laser.
- Positionner le laser de sorte à éviter tout contact accidentel avec les yeux.
- Ne pas utiliser le laser près des enfants et ne pas laisser les enfants utiliser le laser/outil électrique.
- Ne pas démonter l'appareil. Toute modification du produit peut accroître le risque de rayonnement laser.
- ⚠ **AVERTISSEMENT :** l'utilisation de commandes ou de réglages ou l'exécution de procédures autres que celles précisées dans la présente peut entraîner une exposition dangereuse au rayonnement laser.
- Débrancher la scie circulaire avant d'effectuer tout type de réglage du laser.
- Ne pas faire fonctionner l'outil dans un environnement explosif, soit en présence de liquides, gaz ou poussière inflammables.
- Ranger le produit inutilisé hors de la portée des enfants et des personnes sans expérience. Les lasers/outils électriques deviennent dangereux entre les mains d'utilisateurs inexpérimentés.
- N'utiliser que les accessoires conseillés par le fabricant pour le modèle de votre outil. Les accessoires adaptés à un laser/outil électrique donné peuvent être dangereux lorsqu'ils sont utilisés avec un autre laser/outil électrique.
- Les réparations et l'entretien de l'outil DOIVENT uniquement être effectués par un établissement de réparation professionnel. Toute réparation réalisée par du personnel non qualifié pourrait entraîner des blessures graves.
- Ne pas enlever ni altérer les étiquettes de mise en garde. Enlever les étiquettes accroît le risque d'exposition au rayonnement.
- Pour un usage intérieur seulement.

- Ce produit est conçu pour une utilisation dans une plage de températures variant de 5 °C (41 °F) à 40 °C (104 °F).

## LIGNES DIRECTRICES EN MATIÈRE DE SÉCURITÉ - DÉFINITIONS

Il est important que vous lisiez et compreniez ce mode d'emploi. Les informations qu'il contient concernent VOTRE SÉCURITÉ et visent à ÉVITER TOUT PROBLÈME. Les symboles ci-dessous servent à vous aider à reconnaître cette information.

**⚠ DANGER** : Indique une situation dangereuse imminente qui, si elle n'est pas évitée, causera la mort ou des graves blessures.

**⚠ AVERTISSEMENT** : Indique une situation potentiellement dangereuse qui, si elle n'est pas évitée, pourrait causer la mort ou de graves blessures.

**⚠ MISE EN GARDE** : Indique une situation potentiellement dangereuse qui, si elle n'est pas évitée, pourrait causer des blessures mineures ou modérées.

**MISE EN GARDE** : Utilisé sans le symbole d'alerte à la sécurité, indique une situation potentiellement dangereuse qui, si elle n'est pas évitée, peut résulter en des dommages à la propriété.

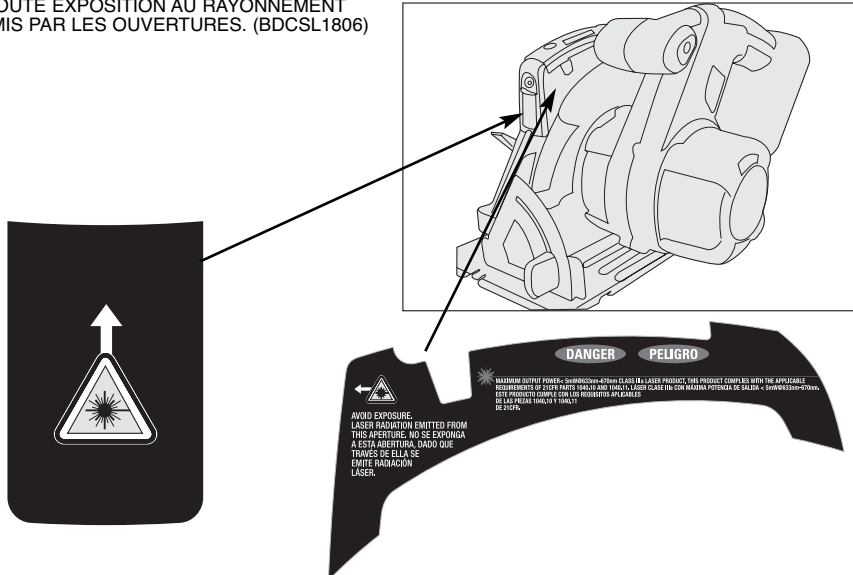
L'étiquette apposée sur l'outil peut afficher les symboles suivants :

V.....volts	mW.....milliwatts
nm .....longueur d'onde exprimée en nanomètres	IIIa .....laser de classe IIIa

L'étiquette de l'outil peut comporter les symboles suivants.

V .....volts	A.....ampères
Hz .....hertz	W .....watts
min .....minutes	~ .....courant alternatif
==== .....courant continu	n <sub>0</sub> .....sous vide
☐ .....construction de classe II	⊕ .....borne de terre
⚠ .....symbole d'avertissement	.../min .....tours ou courses à la minute

ÉVITER TOUTE EXPOSITION AU RAYONNEMENT LASER ÉMIS PAR LES OUVERTURES. (BDCSL1806)





### ⚠ Avertissements de sécurité et directives : chargement

1. Ce mode d'emploi renferme d'importantes directives de sécurité et d'utilisation.
2. Avant d'utiliser le chargeur de piles, lire toutes les directives et les indications d'avertissement apposées sur le chargeur et le produit.
 

⚠ **MISE EN GARDE** : pour réduire le risque de blessure, utiliser le chargeur uniquement avec ce produit. Les piles utilisées dans d'autres produits peuvent éclater et causer des blessures corporelles et des dommages.
3. Protéger le chargeur de la pluie ou de la neige.
4. L'utilisation d'un équipement non recommandé ou vendu par Black & Decker peut entraîner un incendie, un choc électrique ou des blessures corporelles.
5. Pour réduire le risque de dommages à la fiche et au cordon d'alimentation, tirer sur la fiche plutôt que sur le cordon pour déconnecter le chargeur.
6. S'assurer que le cordon est situé en lieu sûr de manière à ce que personne ne marche ni ne trébuché dessus ou à ce qu'il ne soit pas endommagé ni soumis à une tension.
7. Il est préférable de ne pas utiliser une rallonge à moins que cela ne soit absolument nécessaire. L'utilisation d'une rallonge inadéquate risque d'entraîner un incendie, un choc électrique ou une électrocution.
  - a. Les cordons à deux fils peuvent être utilisés avec les rallonges à 2 ou 3 fils. Seules les rallonges rondes enveloppées doivent être utilisées, et nous recommandons qu'elles soient homologuées par l'organisme Laboratoires des assureurs du Canada (LAC). Si elle est utilisée à l'extérieur, la rallonge doit être prévue à cet effet. Tout cordon marqué pour un usage extérieur peut aussi être utilisé à l'intérieur. Les « W » ou « WA » marquées sur l'enveloppe du cordon indiquent que le cordon convient à un usage extérieur.
  - b) Pour la sécurité de l'utilisateur et le maintien de la puissance, utiliser une rallonge de calibre adéquat (AWG ou calibrage américain normalisé des fils). En effet, un calibre adéquat évitera également une surchauffe. Plus le numéro de calibre de fil est petit et plus sa capacité est grande, par exemple un calibre 16 a plus de capacité qu'un calibre 18. Si plus d'une rallonge est utilisée pour obtenir la longueur totale, s'assurer que chaque rallonge présente au moins le calibre de fil minimum.
8. Utiliser seulement le chargeur fourni pour charger votre outil. L'utilisation de tout autre chargeur risque d'endommager l'outil ou de créer une condition dangereuse.
9. Utiliser un seul chargeur pour charger.
10. Ne pas tenter d'ouvrir le chargeur. Aucune pièce à l'intérieur ne peut être réparée par le client. Retourner le produit à tout centre de réparation Black & Decker autorisé.
11. NE PAS incinérer l'outil ou les piles même s'ils sont gravement endommagés ou complètement usés. Les piles peuvent exploser dans un feu.
12. Une petite fuite de liquide peut se produire dans les cellules de pile en cas d'utilisation extrême, de charge ou de conditions de température. Cela n'indique pas de défaillance. Toutefois, si le joint d'étanchéité extérieur est rompu et que la fuite entre en contact avec la peau :
  - a. Laver rapidement la zone touchée au savon et à l'eau.
  - b. Neutraliser avec un acide doux comme du jus de citron ou du vinaigre.
  - c. Si le liquide de la pile entre en contact avec les yeux, les rincer abondamment à l'eau propre, pendant un minimum de dix minutes et consulter immédiatement un médecin.

**REMARQUE MÉDICALE** : le liquide est composé d'une solution de 25 % - 35 % d'hydroxyde de potassium.

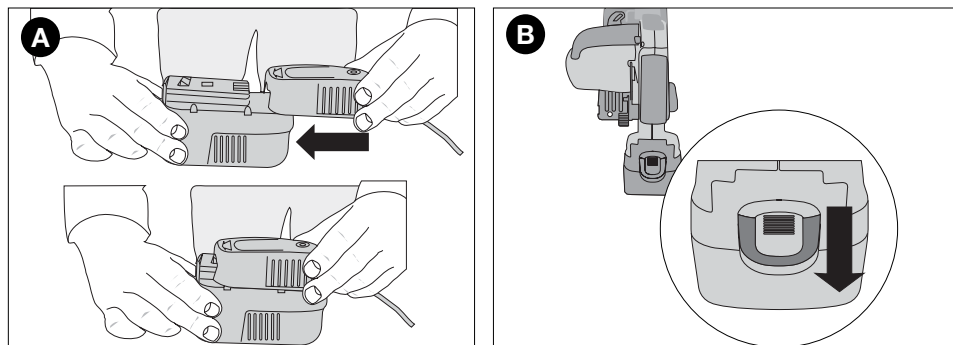
### CHARGE DE BATTERIE

LE BLOC-PILES N'EST PAS COMPLÈTEMENT CHARGÉ À SA SORTIE DE L'USINE. AVANT DE CHARGER LES BLOCS-PILES, LIRE ATTENTIVEMENT TOUTES LES DIRECTIVES DE SÉCURITÉ.

Le chargeur est conçu pour utiliser une alimentation domestique standard de 120 V, 60 Hz. **REMARQUE** : ne pas charger le bloc-piles au moyen d'un alternateur ou d'une source d'alimentation c.c. Utiliser uniquement le c.a. 120 V.

1. Brancher le chargeur dans toute prise électrique standard de 120 V, 60 Hz.
2. Glisser le chargeur sur le bloc-piles comme indiqué à la figure A, puis le laisser charger pendant 9 heures la première fois. Après la première charge, dans le cas d'une utilisation normale, le bloc-piles devrait se charger entièrement en 3 à 9 heures.
3. Retirer le bloc-piles du chargeur et l'insérer dans l'outil. **REMARQUE** : pour retirer le

bloc-piles de la scie, enfoncer le bouton de dégagement sur le dos du bloc-piles (**figure B**), puis le tirer.

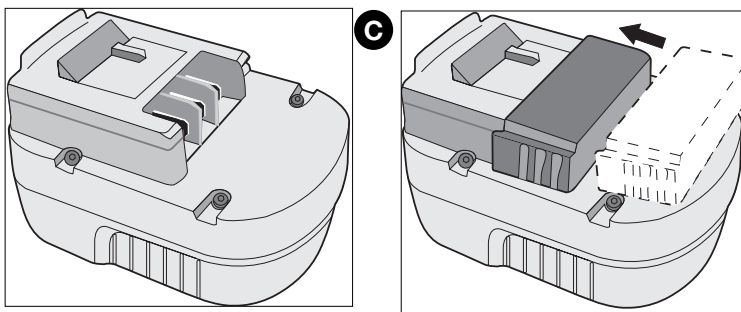


#### REMARQUES IMPORTANTES DE CHARGEMENT

1. Après une utilisation normale, le bloc-piles devrait se charger entièrement en 3 heures ou moins. Si le bloc-piles est complètement déchargé, il peut falloir jusqu'à 9 heures pour le charger entièrement. Le bloc-piles est expédié de l'usine sans être totalement chargé. Avant d'utiliser le bloc-piles, il doit être chargé pendant au moins 9 heures.
2. NE PAS charger le bloc-piles avec une température ambiante inférieure à 4,5 °C (40 °F) ou supérieure à 40,5 °C (105 °F). Ces consignes sont importantes et permettent d'éviter d'endommager gravement le bloc-piles. Une durée de vie et une performance accrues peuvent être obtenues si le bloc-piles est chargé à une température ambiante d'environ 24 °C (75 °F).
3. Durant la charge, le chargeur peut émettre un vrombissement et devenir chaud au toucher. Il s'agit d'un état normal qui n'indique pas de problème.
4. Si le bloc-piles ne se charge pas adéquatement - (1) vérifier la prise de courant en branchant une lampe ou un autre appareil électrique. (2) Vérifier si la prise est reliée à un interrupteur qui coupe le courant au moment d'éteindre la lumière. (3) Déplacer le chargeur et le bloc-piles à une température ambiante de 4,5 °C (40 °F) à 40,5 °C (105 °F). (4) Si la prise et la température sont adéquates et que la charge obtenue est insuffisante, apporter ou envoyer l'outil et le chargeur au centre de réparation Black & Decker de votre région. Consulter la section « Outils électriques » des Pages jaunes.
5. Le bloc-piles doit être rechargé lorsqu'il n'arrive pas à produire suffisamment de puissance pour des travaux qui étaient facilement réalisés précédemment. NE PAS CONTINUER à utiliser la scie si son bloc-piles est épuisé.
6. Pour prolonger la durée de vie du bloc-piles, éviter de le laisser sur le chargeur pour une période de plus de 8 heures. Bien que la surcharge ne pose pas de problème de sécurité, cela peut réduire de manière importante la durée de vie générale du bloc-piles.
7. Lorsque le bloc-piles est inséré dans le chargeur, le témoin de charge rouge s'allume pour indiquer qu'un contact se fait entre le bloc-piles et le chargeur. Il restera allumé tant que le bloc-piles est sur le chargeur et que le chargeur est branché dans une prise de courant qui fonctionne. Il NE clignotera PAS et il ne changera pas de couleur lorsque le cycle de chargement sera terminé.

**INFORMATION CONCERNANT LE CAPUCHON DU BLOC-PILE (FIG. C)**

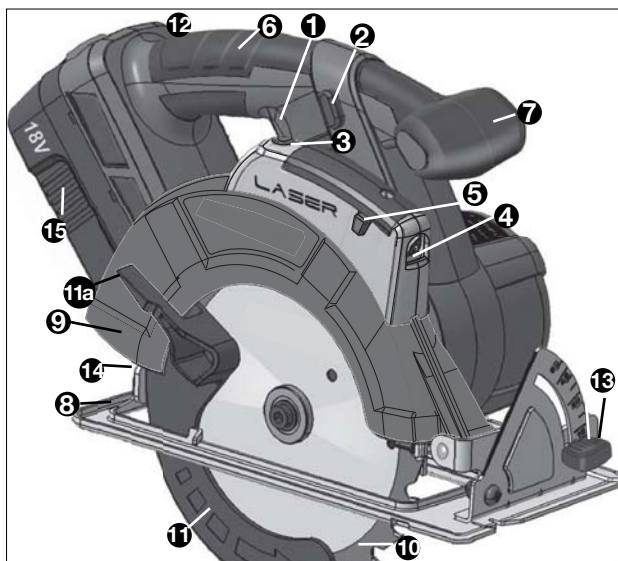
Un capuchon est fourni avec le bloc-pile en vue d'être utilisé chaque fois qu'on retire ce dernier de l'outil ou du chargeur en vue de le ranger ou de le transporter; enlever le capuchon avant de remettre le bloc-pile dans le chargeur ou dans l'outil.

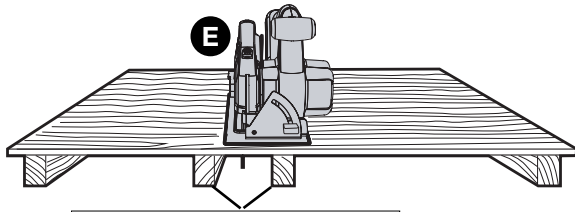


**⚠ AVERTISSEMENT :** S'assurer, au moment de ranger ou de transporter un bloc-pile ou une pile, qu'aucun objet métallique n'entre en contact avec leurs bornes à découvert de celui-ci. Par exemple, il faut éviter de placer un bloc-pile ou une pile sans capuchon dans un tablier, une poche, une boîte à outils ou un tiroir (etc.) contenant des objets tels que des clous, des vis ou des clés, car tout contact entre les bornes à découvert et un objet métallique comme une clé, une pièce de monnaie, un outil à main, etc. pourrait causer un incendie. En effet, les règlements américains Hazardous Material Regulations (HMR) du US Department of Transportation interdisent le transport d'un bloc-pile ou d'une pile dans tout moyen de transport commercial ou aéronef (que ce soit dans une valise ou le bagage de cabine) SAUF s'ils sont bien protégés contre les courts-circuits. On doit donc s'assurer, lorsqu'on transporte un bloc-pile ou une pile séparément, de bien protéger et isoler les bornes contre tout matériau qui risque d'entrer en contact avec eux et de causer un court-circuit.

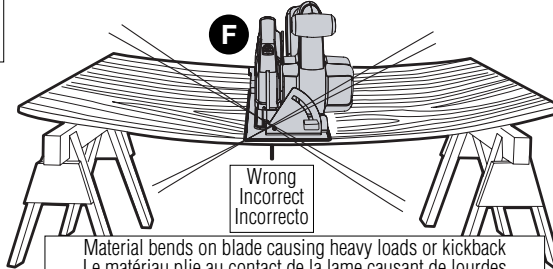
**DESCRIPTION FONCTIONNELLE - figure D**

1. Détente
  2. Bouton de verrouillage
  3. Interrupteur marche/arrêt du laser\*
  4. Laser\*
  5. Onglets de réglage du laser\*
  6. Poignée principale
  7. Poignée secondaire
  8. Semelle
  9. Protège-lame supérieur
  10. Lame de scie
  11. Protège-lame
  - 11a. Levier de rétraction du protège-lame
  12. Clé (non illustrée)
  13. Poignée d'ajustement de biseau
  14. Levier de réglage de profondeur (non illustré)
  15. Piles
- Bouton de verrouillage \*\* (non illustré)  
 \* Modèle BDCSL1806 seulement  
 \*\* Modèle BDCS 2406 seulement



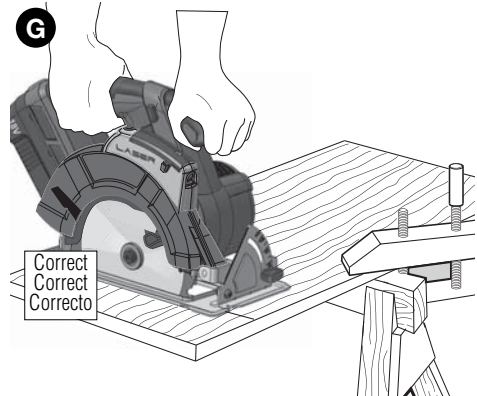


Support work near cut  
Soutenir la pièce près de la ligne de coupe.  
Apoye la pieza cerca del corte

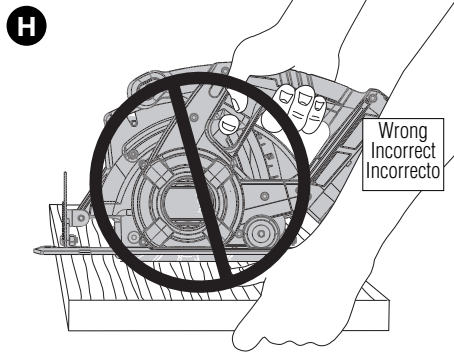


Wrong  
Incorrect  
Incorrecto

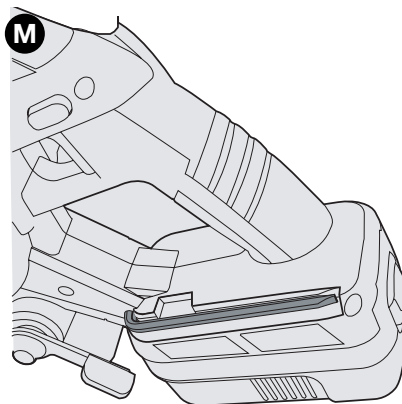
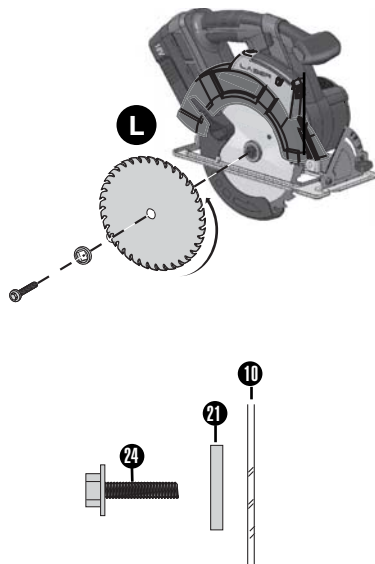
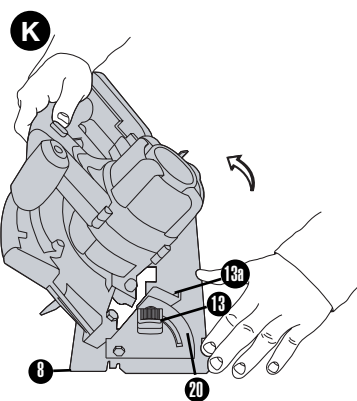
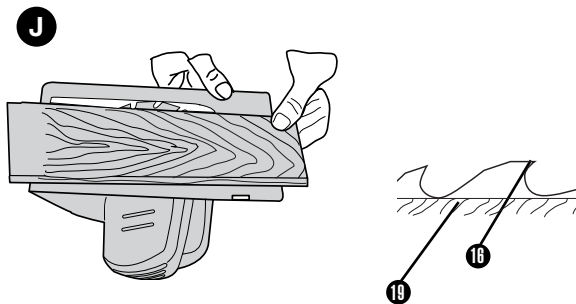
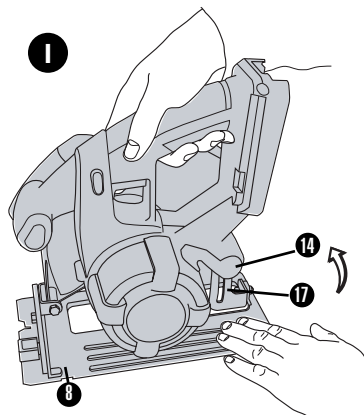
Material bends on blade causing heavy loads or kickback  
Le matériau plie au contact de la lame causant de lourdes surcharges ou des rebonds.  
El material oprime el disco ocasionando sobrecarga o contragolpe

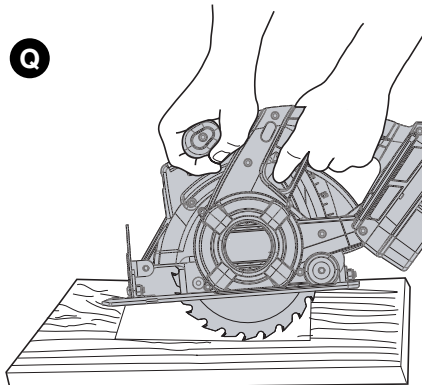
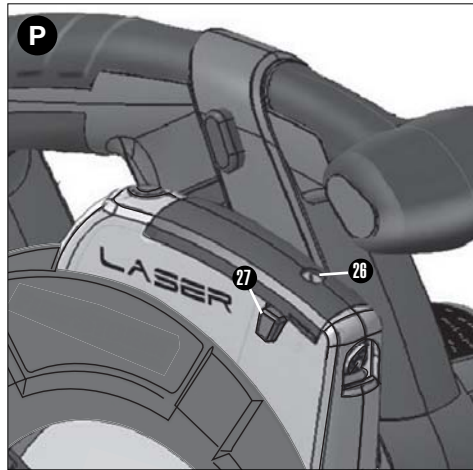
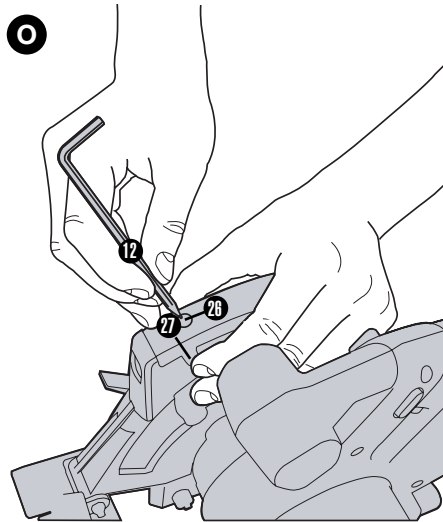
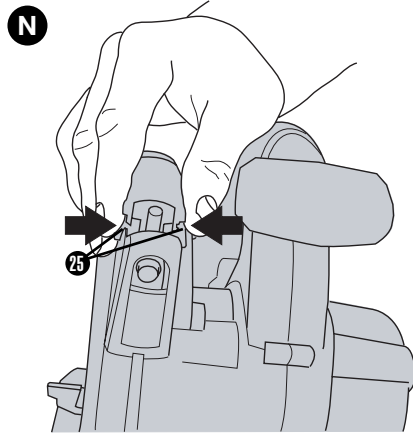


Correct  
Correct  
Correcto



Wrong  
Incorrect  
Incorrecto





## Préparation pour l'assemblage et le réglage

**⚠ AVERTISSEMENT : POUR RÉDUIRE LE RISQUE DE BLESSURES, TOUJOURS RETIRER LE BLOC-PILES DE LA SCIE AVANT N'IMPORTE LEQUEL DES RÉGLAGES QUI SUIVENT.**

### RÉGLAGE DE LA PROFONDEUR DE COUPE - FIGURES I ET J

La profondeur de la coupe doit être réglée selon l'épaisseur de la pièce.

- Desserrer le bouton ou le levier de réglage de profondeur (14) pour débloquer la semelle de la scie (8). **REMARQUE : selon le modèle acheté, le réglage de profondeur s'effectue avec un bouton ou un levier.**
- Mettre la semelle de la scie dans la position désirée. La profondeur de coupe correspondante peut être lue sur l'échelle (17).
- Serrer le bouton ou le levier pour verrouiller la semelle de la scie en place.
- Régler l'ajustement de profondeur de la scie de sorte qu'une seule dent (18) de la lame dépasse de la surface inférieure de la pièce (19) tel qu'illustré à la **figure J**.

### RÉGLAGE DE L'ANGLE DE BISEAU - FIGURE K

La scie peut être réglée pour des angles de biseau entre 0° et 50°.

- Desserrer le bouton de verrouillage de biseautage (13) pour déverrouiller la semelle de la scie.
- Mettre la semelle de la scie (8) dans la position désirée. L'angle de biseau correspondant peut être lu sur l'échelle (20).
- Serrer le bouton de réglage de biseautage (13) pour verrouiller la semelle de la scie en position.

## RÉGLAGE DE LA SEMELLE POUR LES COUPES DE 90°

SI UN RÉGLAGE SUPPLÉMENTAIRE S'AVÈRE NÉCESSAIRE, ON DOIT :

- Régler la scie à un angle de biseautage de 0°.
- Relever le protège-lame (11). Déposer la scie sur le côté de la lame.
- Desserrer le bouton de réglage du biseautage de la scie (13). Déposer une équerre contre la lame (10) et la semelle (8) pour l'ajuster à 90°.
- Desserrer le contre-écrou et déplacer la vis de réglage (13a) de sorte que la semelle s'arrêtera au bon angle puis resserrer le contre-écrou.
- Confirmer la précision du réglage en vérifiant la perpendicularité en coupant une pièce de chute.

## FONCTIONNEMENT

**⚠AVERTISSEMENT** : pour réduire le risque de blessure personnelle grave, lire, comprendre et suivre tous les avertissements de sécurité importants et toutes les directives avant d'utiliser l'outil.

## COUPES GÉNÉRALES

### SE PROTÉGER DES EFFETS DE REBOND

**Retirer le bloc-piles et suivre toutes les consignes d'assemblage, de réglage et de configuration.**

S'assurer que le protège-lame inférieur fonctionne. Sélectionner la lame appropriée au matériau à découper.

- Mesurer et marquer le bois à découper.
- Soutenir et fixer solidement la pièce (voir Règles de sécurité et instructions).
- Utiliser le matériel de sécurité approprié et requis (voir Règles de sécurité).
- Protéger et entretenir la zone de travail (voir Règles de sécurité).
- Insérer le bloc-piles et s'assurer que la détente de la scie fonctionne.

**⚠AVERTISSEMENT** : pour éviter toute blessure, il est important que la pièce soit stable et que vous teniez la scie fermement afin d'en conserver la maîtrise. La figure G illustre une technique de prise de main commune.

**Fixation et retrait de la lame : figures L, L1**

**REMARQUE** : la première fois que le boulon de la lame est retiré de la scie sans qu'une lame ne soit installée, il peut être nécessaire d'insérer la clé de lame sur la tête du boulon et de la frapper d'un coup brusque en sens antihoraire.

- Relever le protège-lame inférieur (11) et insérer la lame (10) et la rondelle de fixation (21) comme illustré à la figure L.
- **(BDCS2406 seulement)** Pour empêcher la rotation de lame maintenez le bouton de serrure (28) d'axe enfoncé et tournez la lame jusqu'à ce que la serrure d'axe s'engage (figure L).
- Serrer solidement la vis de serrage de la lame avec la clé de la lame.
- **(Tous autres modèles)** Pour empêcher la lame de tourner lors du serrage de la vis de serrage de la lame (20), relever le protège-lame inférieur et déposer la scie sur des retailles de bois comme indiqué à la fig. L1. Les dents de la lame mordront dans les retailles de bois et préviendront ainsi la rotation de la lame.
- Serrer solidement la vis de serrage de la lame avec la clé de la lame.

**REMARQUE** : la clé de la lame est rangée dans le boîtier de la scie comme illustré à la figure M.

### Protège-lame inférieur

**⚠AVERTISSEMENT** : risque de lacération. Le protège-lame inférieur est un dispositif de sécurité qui réduit le risque de blessures corporelles graves. Ne jamais utiliser la scie lorsque le protège-lame inférieur est manquant, endommagé, mal assemblé ou en mauvais état de fonctionnement. Ne pas se fier sur le protège-lame inférieur pour se protéger en toutes circonstances. Pour assurer sa propre sécurité, respecter tous les avertissements et les mesures de précaution et utiliser correctement la scie. Vérifier le protège-lame inférieur avant chaque utilisation afin de s'assurer qu'il se ferme correctement tel que décrit sous la rubrique « Règles de sécurité supplémentaires pour les scies circulaires ». En cas d'absence ou d'un mauvais fonctionnement du protège-lame, veuillez faire réparer

**la scie avant son utilisation. Pour garantir la sécurité et la fiabilité du produit, confier les réparations, l'entretien et le réglage à un centre de réparation autorisé ou tout autre centre de réparation professionnel. On ne doit utiliser que des pièces de rechange identiques.**

**⚠AVERTISSEMENT** : pour réduire le risque de blessure aux yeux, toujours porter une protection oculaire. Le carbure est un matériel dur mais fragile et les matières étrangères présentes dans la pièce, comme des fils ou des clous, peuvent fendre ou briser les pointes. Utiliser la scie uniquement avec le protège-lame en place. Bien assembler et fixer la lame dans la bonne position de rotation avant son utilisation. Toujours utiliser une lame propre et bien affûtée.

**⚠MISE EN GARDE** : ne pas utiliser la scie pour couper les métaux ferreux (acier), la maçonnerie, le verre ou des carreaux. Une lame émoussée produira des coupes lentes et inefficaces, surchargera le moteur, engendrera davantage d'éclats de bois et augmenterait le risque de rebond.

### DÉTENTE

La scie dispose d'un mécanisme de blocage de l'interrupteur marche/arrêt (détente) pour prévenir un fonctionnement involontaire.

- Pour utiliser l'outil, enfoncer le bouton de verrouillage (2) d'un côté ou l'autre de la scie et le maintenir ainsi alors que vous enfoncez la détente (1).
- Une fois que la détente est enfoncée et que l'outil est en marche, relâcher le bouton de verrouillage. L'outil continuera de fonctionner tant que la détente sera enfoncée.
- Pour l'éteindre, simplement la relâcher.

REMARQUE : il n'est pas possible de bloquer l'outil en positionnement de marche, et la détente ne doit jamais être bloquée par aucun moyen.

### FREIN ÉLECTRIQUE AUTOMATIQUE

La scie est dotée d'un frein de lame électrique automatique qui arrête la lame de la scie dans les 1 1/2 secondes qui suivent le relâchement de la détente. La fonction est automatique et n'exige aucun réglage.

À l'occasion, sous certaines conditions, le frein ne fonctionnera pas parfaitement et n'arrêtera pas la scie dans les 1 1/2 secondes stipulées. Dans ce cas :

- Éteindre et redémarrer la scie de quatre à cinq fois.
- Si le problème persiste, confier la réparation à un centre de réparation Black & Decker ou à toute autre centre de réparation autorisé par le groupe B&D.

## UTILISATION DU LASER (BDCSL1806 SEULEMENT)

### INSTALLATION DES PILES - FIGURE N

**⚠AVERTISSEMENT : RAYONNEMENT LASER. S'ASSURER QUE LE BOUTON MARCHE/ARRÊT DU LASER EST EN POSITION D'ARRÊT (CONSULTER LA RUBRIQUE « MISE EN MARCHE/ARRÊT DU LASER ») AVANT L'INSERTION DES PILES.**

Relever le couvercle du logement des piles (25) du module laser (4) en enfonçant délicatement l'avant du couvercle comme illustré à la figure N. Insérer 2 nouvelles piles AAA de 1,5 volts et s'assurer de bien respecter la polarité (+) et (-). Réinsérer le couvercle du logement des piles.

**⚠AVERTISSEMENT : les piles peuvent exploser ou couler et provoquer des blessures ou un incendie.** Pour réduire ce risque :

- Suivre attentivement toutes les directives et avertissements apposés sur l'étiquette des piles et de l'emballage de l'appareil.
- Toujours insérer les piles selon la polarité correcte (+ et -), comme indiqué sur les piles et le matériel.
- Ne pas créer de court-circuit dans les bornes des piles.
- Ne pas charger les piles.
- Ne pas mélanger piles neuves et usagées. Les remplacer toutes en même temps par des piles neuves de la même marque et du même type.
- Retirer immédiatement les piles déchargées et les éliminer en fonction de la réglementation locale en vigueur.
- Ne pas jeter les piles dans les flammes.
- Garder les piles hors de la portée des enfants.



- Retirer les piles si l'appareil n'est pas utilisé pendant plusieurs mois.
- « Lors du transport, tout contact accidentel entre les bornes à découvert et un objet conducteur comme une clé, une pièce de monnaie, un outil à main, etc. pourrait provoquer un incendie. La Hazardous Material Regulation du département américain des transports interdit, en fait, le transport des piles pour le commerce ou dans les avions (par ex. : piles emballées dans des valises et des bagages à main) À MOINS qu'elles soient bien protégées contre les courts-circuits. On doit donc s'assurer, lorsqu'on transporte des piles séparément, de bien protéger et isoler les bornes contre tout matériau qui risque d'entrer en contact avec eux et de provoquer un court-circuit. »

### LASER INTÉGRÉ

La scie est munie d'un laser intégré qui s'allume et s'éteint séparément de la scie.

**⚠ AVERTISSEMENT : RAYONNEMENT LASER. Ne jamais diriger le faisceau vers une pièce comportant une surface réfléchissante.** Les feuilles d'acier brillant et réfléchissant et les autres surfaces réfléchissantes similaires ne sont pas recommandées pour une utilisation avec le laser. Les surfaces réfléchissantes peuvent rediriger le faisceau vers l'opérateur.

**⚠ DANGER : RAYONNEMENT LASER. ÉVITER TOUT CONTACT DIRECT AVEC LES YEUX. Ne pas regarder vers la source lumineuse du laser. Ne jamais diriger le faisceau vers une autre personne ou vers tout autre objet autre que la pièce.** Le faisceau du laser peut endommager les yeux.

**⚠ AVERTISSEMENT : NE PAS UTILISER de verres teintés pour augmenter la luminosité du faisceau laser.** Les verres teintés réduisent la vision globale de l'application et interfèrent avec le fonctionnement normal de l'outil.

### MISE EN MARCHÉ/ARRÊT DU LASER

- Pour actionner le faisceau laser, enfoncer le bouton marche/arrêt (3). Pour l'éteindre, enfoncer le bouton une seconde fois.

Remarque : le bouton marche/arrêt du laser comprend deux positions, la position inférieure correspond à « Marche » (enfoncer légèrement le bouton) et la position supérieure correspond à « Arrêt » (le bouton est au ras de la surface).

### RÉGLAGE DU LASER - FIGURE O ET P

**⚠ MISE EN GARDE : ÉTEINDRE L'OUTIL PUIS RETIRER LE BLOC-PILES DE LA SCIE AVANT DE CHANGER LES ACCESSOIRES OU DE RÉGLER L'OUTIL.**

Il est possible de régler le laser pour éliminer tout écart latéral ou angulaire.

- Faire une coupe partielle dans une pièce de chute de contreplaqué ou de revêtement solidement fixée avec la scie. Couper au moins la longueur de la semelle.
- Éteindre la scie et la tenir immobile. Une fois la lame immobile, retirer la scie du trait de coupe.
- À l'aide d'une règle et d'un crayon, tracer une ligne droite sur le contreplaqué comme si on prolongeait le trait de coupe à partir de la fin du trait de coupe.
- **RETIRER LE BLOC-PILES DE LA SCIE AVANT DE RÉGLER LE LASER.**
- Régler la scie à la profondeur maximale de coupe permise, relever le protège-lame inférieur et replacer la lame de la scie dans le trait de coupe à l'endroit où le trait se termine (au début de la ligne tracée au crayon).
- Avec la semelle de la scie solidement appuyée sur le contreplaqué, mettre le laser sous tension et desserrer la vis de réglage du laser (26) avec la clé fournie (12) et utiliser les onglets d'ajustement (27) de chaque côté du module laser pour aligner le faisceau avec la ligne tracée puis resserrer la vis de réglage.
- Éteindre le laser et retirer la scie du trait de scie avant de réinsérer le bloc-piles de la scie.

### POUR UTILISER LE TRAIT LASER

- Tracer la ligne que vous souhaitez découper sur la pièce.
- Régler comme nécessaire la profondeur et l'angle de découpe.
- Mettre l'interrupteur marche/arrêt du laser (3) en position « MARCHE » et projeter le faisceau du laser.
- Enfoncer le bouton de verrouillage (2) et appuyer sur la détente (1) de la scie. Laisser la lame atteindre son plein régime.
- Placer la semelle de la scie sur la pièce. Aligner le faisceau laser avec la ligne sur la pièce et avancer lentement la scie tout en maintenant le faisceau laser sur la ligne tracée.
- Après avoir terminé la découpe, relâcher la détente et laisser la lame de scie s'arrêter complètement avant d'éteindre le laser.

## OPÉRATIONS DE SCIAGE

⚠ **AVERTISSEMENT** : pour réduire le risque de blessures corporelles graves, toujours tenir l'outil des deux mains.

- Laisser la lame fonctionner librement quelques secondes avant de commencer la coupe.
- Appuyer légèrement sur l'outil tout en effectuant la coupe.
- Travailler en appuyant la semelle sur la pièce.

### DÉCOUPE EN POCHE - FIGURE Q

⚠ **MISE EN GARDE** : ne jamais déplacer la scie vers l'arrière lors de la coupe en poche, car elle peut alors se soulever de la pièce, ce qui risque de provoquer une blessure.

⚠ **AVERTISSEMENT** : risque de lacération. Ne jamais fixer le protège-lame en position élevée.

La découpe en poche est utilisée pour découper un trou dans un morceau de matériau sans découper à partir du bord.

- Mesurer et marquer la pièce.
- Incliner la scie vers l'avant et reposer l'avant de la semelle de la scie sur le matériau à couper. Aligner la scie de sorte que la découpe commencera à l'arrière du rectangle dessiné.
- En utilisant le levier de rétraction (28), relever le protège-lame de la lame en position verticale, avec la lame légèrement au-dessus de matériau, lancer le moteur et abaisser progressivement la scie dans le matériau.

⚠ **AVERTISSEMENT** : risque de lacération. Lorsque la lame commence à couper le matériau, relâchez immédiatement le levier de rétraction.

- Lorsque la semelle de la scie repose à plat sur le matériau découpé, terminer la découpe vers l'avant.
- Laisser la lame s'arrêter complètement avant de lever la scie du matériau.
- Lors de l'amorce de chaque nouvelle découpe, répéter la procédure ci-dessus.

## ENTRETIEN

### RETIRER LE BLOC-PILE DE LA SCIE POUR EFFECTUER TOUT NETTOYAGE OU AUTRE ENTRETIEN.

Nettoyer l'outil au moyen d'un savon doux et d'un linge humide seulement. Ne jamais laisser de liquide s'infiltrer à l'intérieur de l'outil ni tremper ce dernier dans un liquide quelconque.

**IMPORTANT** : pour assurer la SÉCURITÉ et la FIABILITÉ de ce produit, toutes les opérations de réparation, d'entretien et de réglage (autres que celles décrites aux présentes) doivent être effectuées dans un centre de service autorisé ou par du personnel qualifié; on ne doit utiliser que des pièces de rechange identiques.

## ACCESSOIRES

Les accessoires recommandés pour cet outil sont offerts au centre de service autorisé ou chez le dépositaire local; pour obtenir de plus amples renseignements sur ces accessoires, composer le 1 800 544-6986.

⚠ **AVERTISSEMENT** : il pourrait s'avérer dangereux d'utiliser des accessoires autres que ceux recommandés pour cet outil.

Modèle	Diamètre de la lame
BDCS1806	165 mm (6 1/2 po)
BDCS1806	
BDGCS1806	
BDCS2406	
BDCS1807	185 mm (7 1/4 po)

Utiliser uniquement des lames à trait fin. L'utilisation de lames plus épaisses fera obstacle au rendement de la scie.

Les lames à pointes carburées sont fortement recommandées pour optimiser le rendement de la scie. **NE JAMAIS UTILISER DE LAMES À MÉTAUX OU COMPOSÉES DE MATIÈRES ABRASIVES AVEC LA SCIE.**

## DÉPANNAGE

<u>Problème</u>	<u>Cause possible</u>	<u>Solution possible</u>
<ul style="list-style-type: none"> <li>• L'appareil refuse de démarrer.</li> </ul>	<ul style="list-style-type: none"> <li>• Mauvaise installation de la batterie.</li> <li>• Pile non chargée.</li> </ul>	<ul style="list-style-type: none"> <li>• Vérifier l'installation de la batterie.</li> <li>• Vérifier les exigences de charge pour la pile.</li> </ul>
<ul style="list-style-type: none"> <li>• La pile ne se charge pas.</li> </ul>	<ul style="list-style-type: none"> <li>• Pile non insérée dans le chargeur.</li> <li>• Chargeur non branché.</li> <li>• Température ambiante trop chaude ou froide.</li> </ul>	<ul style="list-style-type: none"> <li>• Insérer la pile dans le chargeur de sorte que le voyant DEL rouge apparaisse.</li> <li>• Brancher le chargeur dans une prise qui fonctionne. Se reporter à la rubrique « Remarques importantes de chargement » pour plus de renseignements.</li> <li>• Vérifier le courant à la prise en branchant une lampe ou un autre appareil électrique.</li> <li>• Vérifier si la prise est reliée à un interrupteur qui coupe le courant au moment d'éteindre la lumière</li> <li>• Déplacer le chargeur et l'outil à une température ambiante de plus de 4,5 °C (40 °F) ou sous les 40,5 °C (105 °F) 105 degree F (+40,5°C).</li> </ul>

Pour de l'aide avec l'outil, consulter notre site Web [www.blackanddecker.com](http://www.blackanddecker.com) pour l'emplacement du centre de réparation le plus près ou communiquer avec l'assistance BLACK & DECKER au **1-800-544-6986**.

### LE SCEAU RBRC<sup>mc</sup>\*

Le sceau RBRC<sup>mc</sup> de la pile au nickel-cadmium indique que Black & Decker défraie le coût du recyclage de la pile à la fin de sa durée utile. Le programme RBRC<sup>mc</sup> offre une solution de rechange pratique à la mise au rebut des piles au nickel-cadmium usées, que ce soit à la poubelle ou dans le système municipal car cette mise au rebut est illégale à certains endroits.

L'organisme RBRC en collaboration avec Black & Decker et d'autres utilisateurs de piles a mis sur pied des programmes aux États-Unis et au Canada afin de faciliter la collecte des piles au nickel-cadmium usées. Pour aider à préserver l'environnement et à conserver les ressources naturelles, il suffit de retourner les piles au nickel-cadmium usées à un centre de service Black & Decker ou chez le détaillant de la région pour qu'elles soient recyclées. On peut également communiquer avec le centre de recyclage de la région afin de savoir où déposer les piles usées, ou composer le **1 (800) 822-8837**.

\*RBRC<sup>mc</sup> est une marque de commerce de l'organisme américain Rechargeable Battery Recycling Corporation.

### INFORMATION SUR LES RÉPARATIONS

Tous les centres de réparation Black & Decker sont dotés de personnel qualifié en matière d'outillage électrique; ils sont donc en mesure d'offrir à leur clientèle un service efficace et fiable. Que ce soit pour un avis technique, une réparation ou des pièces de rechange authentiques installées en usine, communiquer avec l'établissement Black & Decker le plus près de chez vous. Pour trouver l'établissement de réparation de votre région, consulter le répertoire des Pages jaunes à la rubrique « Outils électriques » ou composer le numéro suivant : **1-800-544-6986** ou consulter le site [www.blackanddecker.com](http://www.blackanddecker.com)



**GARANTIE COMPLÈTE DE DEUX ANS POUR UNE UTILISATION DOMESTIQUE**

Black & Decker (É.-U.) Inc. garantit ce produit pour une durée de deux ans contre tout défaut de matériau ou de fabrication. Le produit défectueux sera remplacé ou réparé sans frais de l'une des deux façons suivantes :

La première façon consiste en un simple échange chez le détaillant qui l'a vendu (pourvu qu'il s'agisse d'un détaillant participant). Tout retour doit se faire durant la période correspondant à la politique d'échange du détaillant (habituellement, de 30 à 90 jours après l'achat). Une preuve d'achat peut être requise. Vérifier auprès du détaillant pour connaître sa politique concernant les retours hors de la période définie pour les échanges.

La deuxième option est d'apporter ou d'envoyer le produit (transport payé d'avance) à un centre de réparation autorisé ou à un centre de réparation de Black & Decker pour faire réparer ou échanger le produit, à notre discrétion. Une preuve d'achat peut être requise. Les centres Black & Decker et les centres de service autorisés sont répertoriés dans les pages jaunes, sous la rubrique « Outils électriques ».

Cette garantie ne s'applique pas aux accessoires. Cette garantie vous accorde des droits légaux spécifiques et vous pourriez avoir d'autres droits qui varient d'un État ou d'une province à l'autre. Pour toute question, communiquer avec le directeur du centre de réparation Black & Decker le plus près de chez vous. Ce produit n'est pas destiné à un usage commercial.

**REPLACEMENT GRATUIT DES ÉTIQUETTES D'AVERTISSEMENT** : si les étiquettes d'avertissement deviennent illisibles ou sont manquantes, composer le **1-800-544-6986** pour en obtenir le remplacement gratuit.

Imported by / Importé par  
Black & Decker Canada Inc.  
100 Central Ave.  
Brockville (Ontario) K6V 5W6

Voir la rubrique "Outils  
électriques"  
des Pages Jaunes  
pour le service et les ventes.

**CARACTÉRISTIQUES TECHNIQUES DU LASER :**

Longueur d'onde de la diode du laser :	633-670nm (couleur rouge)
Classe du laser :	IIIa
Température de fonctionnement :	5 °C (41 °F) - 40 °C (104 °F)
Précision :	+/- 1,8 mm à chaque 300 mm

**BLACK & DECKER®**

**SIERRAS CIRCULARES INALÁMBRICAS DE  
165 mm (6-1/2 pulg.) Y 185 mm (7-1/4 pulg.)**

## **MANUAL DE INSTRUCCIONES**

**Números de  
catálogo  
BDCS1806  
BDCSL1806  
BDGCS1806  
BDCS1807  
BDCS2406**



Como se muestra en BDCSL1806

**¡GRACIAS POR ELEGIR BLACK & DECKER!  
VAYA A [WWW.BLACKANDDECKER.COM/NEWOWNER](http://WWW.BLACKANDDECKER.COM/NEWOWNER)  
PARA REGISTRAR SU NUEVO PRODUCTO.**

**ANTES DE DEVOLVER ESTE PRODUCTO POR  
CUALQUIER MOTIVO, LLAME AL  
(55)5326-7100**

ANTES DE LLAMAR, TENGA EL NÚMERO DE CATÁLOGO Y EL CÓDIGO DE FECHA PREPARADOS. EN LA MAYORÍA DE LOS CASOS, UN REPRESENTANTE DE BLACK & DECKER PUEDE RESOLVER EL PROBLEMA POR TELÉFONO. SI DESEA REALIZAR UNA SUGERENCIA O COMENTARIO, LLÁMENOS. SU OPINIÓN ES FUNDAMENTAL PARA BLACK & DECKER.

**CONSERVE ESTE MANUAL PARA FUTURAS CONSULTAS.**

## ⚠️ REGLAS GENERALES DE SEGURIDAD

⚠️ **¡ADVERTENCIA!** Lea y comprenda todas las instrucciones. No seguir todas las instrucciones listadas a continuación puede originar descargas eléctricas, incendios y (o) lesiones personales de gravedad.

### CONSERVE ESTAS INSTRUCCIONES

#### Area de trabajo

- **Conserve su área de trabajo limpia y bien iluminada.** Los bancos con objetos acumulados y las áreas oscuras propician los accidentes.
- **No opere herramientas eléctricas en atmósferas explosivas, como en presencia de líquidos inflamables, gases o polvos.** Las herramientas eléctricas crean chispas que pueden originar la ignición de los polvos o vapores.
- **Conserve alejados a espectadores, niños y visitantes mientras opera la herramienta.** Las distracciones pueden ocasionar que pierda el control.

#### SEGURIDAD ELÉCTRICA

- **No maltrate el cable. Nunca utilice el cable para transportar la herramienta. Conserve el cable alejado de calor, aceite, bordes afilados o piezas móviles. Reemplace inmediatamente los cables dañados.** Los cables dañados pueden originar incendio.
- **Una herramienta de baterías con baterías integradas o por separado debe recargarse únicamente con el cargador especificado para esas baterías.** Un cargador que pueda adecuarse a un tipo de batería puede crear riesgos de incendio cuando se emplea con otra batería.
- **Utilice su herramienta de baterías únicamente con la batería especialmente diseñada para ella.** El empleo de otras baterías puede crear riesgos de incendio.

#### SEGURIDAD PERSONAL

- **Esté alerta, concéntrese en lo que haga y utilice el sentido común al operar una herramienta eléctrica. No utilice la herramienta si se encuentra cansado o bajo la influencia de drogas, alcohol o medicamentos.** Un momento de distracción al operar herramientas eléctricas puede originar una lesión de gravedad.
- **Vístase de manera adecuada. No utilice ropas sueltas ni piezas de joyería. Cubra su cabello si lo tiene largo. Conserve cabello, ropas y guantes alejados de las piezas móviles.** Las ropas sueltas, las joyas y el cabello largo pueden quedar atrapados en las piezas móviles.
- **Evite el encendido accidental. Asegúrese que el interruptor esté en posición de apagado antes de conectar.** Sostener una herramienta con el dedo en el interruptor o conectarla sin fijarse si el interruptor está en posición de encendido propicia los accidentes.
- **Retire las llaves de ajuste antes de encender la herramienta.** Una llave colocada en una parte móvil de la herramienta puede ocasionar una lesión personal.
- **No se sobreextienda. Conserve siempre bien apoyados los pies, lo mismo que el equilibrio.** El apoyo correcto permite mayor control de la herramienta en situaciones inesperadas.
- **Utilice equipo de seguridad. Protéjase siempre los ojos.** Deben emplearse máscaras contra polvo, calzado antiderrapante, cascos y protección auditiva como medidas básicas de seguridad.

#### USO Y CUIDADOS DE LA HERRAMIENTA

- **Utilice prensas u otros medios prácticos para asegurar y apoyar las piezas de trabajo a una plataforma estable.** Sujetar las piezas con la mano o contra su cuerpo es inestable y puede llevar a la pérdida del control.
- **No fuerce la herramienta. Emplee la herramienta apropiada para su aplicación.** La herramienta correcta hará mejor el trabajo y de manera más segura bajo las especificaciones para las que se diseñó.
- **No emplee la herramienta si el interruptor no funciona.** Cualquier herramienta que no pueda controlarse con el interruptor es peligrosa y debe ser reparada.
- **Desconecte la clavija de la alimentación de corriente antes de hacer cualquier ajuste, cambio de accesorios o antes de guardarla.** Estas medidas preventivas reducen el riesgo de encender la herramienta accidentalmente.
- **Guarde fuera del alcance de los niños o de otras personas no calificadas las**

**herramientas que no emplee.** Las herramientas son peligrosas en manos inexpertas.

- **Cuide sus herramientas. Conserve las herramientas de corte limpias y afiladas.** Las herramientas cuyas piezas de corte han recibido mantenimiento y están bien afiladas son menos propensas a atascarse y son más controlables.
- **Verifique la alineación de las piezas móviles, rupturas y cualesquiera otras condiciones que puedan afectar la operación de la herramienta. Si su herramienta está dañada, hágale servicio antes de usarla de nuevo.** Se originan muchos accidentes debido a herramientas con poco mantenimiento.
- **Utilice únicamente los accesorios recomendados por el fabricante para su modelo de herramienta.** Los accesorios adecuados para una herramienta pueden volverse peligrosos en otra.

## SERVICIO

- **El servicio a las herramientas lo debe efectuar únicamente personal calificado.** El servicio o mantenimiento realizado por personal no calificado puede originar riesgos de lesiones.
- **Cuando efectúe servicio a una herramienta, utilice únicamente refacciones idénticas. Siga las instrucciones señaladas en la sección de mantenimiento de este manual.** El uso de partes no especificadas o las fallas al seguir las instrucciones de mantenimiento pueden originar riesgos de choque eléctrico o lesiones personales.

## ⚠️ REGLAS DE SEGURIDAD ESPECIFICAS

⚠️ **¡PELIGRO!** Conserve las manos alejadas del área de corte y del disco. Conserve la segunda mano en el mango auxiliar o en la carcasa del motor. Si ambas manos sostienen la sierra, no podrán resultar cortadas por el disco.

- **Coloque su cuerpo a cualquiera de los lados del disco de la sierra, pero no en línea con éste.** El CONTRAGOLPE puede ocasionar que la sierra salta hacia atrás. (Consulte "Causas y prevención del contragolpe").
- **No coloque las manos por debajo de su trabajo.** La guarda no puede protegerlo del disco por debajo de la pieza.
- **Revise que la guarda inferior cierre correctamente antes de cada trabajo. No opere la sierra si la guarda inferior no se mueve con libertad y se cierra instantáneamente. Nunca sujete ni amarre la guarda inferior en posición abierta. Si la sierra cae accidentalmente, la guarda inferior puede resultar doblada o rota.** Levante la guarda inferior con la palanca del mecanismo retráctil y asegúrese que se mueva libremente y que no haga contacto con el disco ni con otra pieza en todos los ángulos y profundidades de corte.
- **Verifique la operación y la condición del resorte de la guarda inferior.** Si la guarda y el resorte no funcionan correctamente, deben recibir servicio antes de usar la sierra de nuevo. La guarda inferior puede funcionar incorrectamente debido a otras piezas dañadas, a residuos de resina o a acumulación de desechos.
- **La guarda inferior sólo debe retraerse manualmente para cortes especiales como los "cortes de bolsillo" y los "cortes compuestos".** Levante la guarda únicamente con la palanca del mecanismo retráctil. Tan pronto como el disco penetre el material, deberá liberar la guarda inferior. Para todos los demás tipos de cortes, la guarda inferior deberá funcionar de manera automática.
- **Observe siempre que la guarda inferior cubra al disco antes de colocar la sierra en el banco o en el suelo.** Un disco que gira sin protección ocasionará que la sierra se mueva hacia atrás, cortando lo que encuentre en su camino. Esté consciente del tiempo que le toma al disco detenerse después de soltar el interruptor.
- **NUNCA sujete la pieza por cortar en sus manos ni atravesada en sus piernas.** Es muy importante apoyar la pieza apropiadamente para minimizar la exposición del cuerpo, dobleces en el disco o pérdida de control.
- **Sujete la herramienta por las superficies aislantes cuando realice una operación en la que la herramienta pueda hacer contacto con cableados ocultos o con su propio cable.** El contacto con un cable vivo hará que las partes metálicas de la herramienta se vuelvan "vivas" con la consiguiente descarga para el operador.
- **Cuando corte tiras al hilo, utilice siempre una guía.** Esto mejorará la precisión del corte y reducirá el riesgo de que el disco de atasque.
- **Utilice siempre discos con orificio para eje de tamaño y forma correctos (diamante vs. circular).** Los discos que no se acoplen a los herrajes de montaje de la sierra funcionarán excéntricamente, ocasionando pérdidas de control.

- **Nunca utilice roldanas o tornillos dañados o incorrectos.** Las roldanas del disco y los tornillos están especialmente diseñados para su sierra, para obtener un rendimiento óptimo y seguridad de operación.

#### **CAUSAS DEL CONTRAGOLPE Y PREVENCIÓN POR PARTE DEL OPERADOR.**

- **El contragolpe es una reacción repentina a un disco atorado, doblado o desalineado, ocasionando que la sierra descontrolada se levante de la pieza de trabajo hacia el operador.**
- **Cuando el disco se atora o queda muy ajustado en la abertura del indicador de corte, causa una reacción en el motor que lleva a la unidad rápidamente hacia el operador.**
- **Si el disco se atora o queda desalineado en el corte, los dientes del borde posterior se pueden enterrar en la superficie de la madera ocasionando que la sierra salte hacia atrás, hacia el operador.**
- **El contragolpe es el resultado de mal uso de la herramienta o procedimientos de operación incorrectos y se puede evitar tomando las medidas precautorias apropiadas como se indican a continuación.**
- **Sujete la sierra firmemente con ambas manos y acomode su cuerpo y brazos de manera que pueda contrarrestar las fuerzas del CONTRAGOLPE.** El operador puede controlar las fuerzas de CONTRAGOLPE si toma las precauciones necesarias.
- **Cuando el disco se atasque, o cuando interrumpa el corte por cualquier motivo, libere el gatillo y sujete la sierra sobre el material sin permitir que se mueva hasta que el disco se haya detenido completamente. Nunca intente sacar la sierra de la pieza de trabajo ni tirar de ella hacia atrás cuando el disco esté en movimiento, ya que puede ocurrir un CONTRAGOLPE. Investigue y tome acciones correctivas para eliminar las causas de que el disco se atore.**
- **Cuando encienda la sierra en la pieza de trabajo, centre el disco en el indicador de corte y verifique que los dientes no estén atorados en el material.** Si el disco está en contacto con la pieza, puede ocasionar que la sierra salte hacia atrás en un CONTRAGOLPE al encenderla.
- **Apoye los tablones largos para minimizar el riesgo de que el disco quede atrapado y se ocasione un CONTRAGOLPE.** Los tablones largos tienden a doblarse por su propio peso. Debe colocar apoyos debajo del tablón en ambos sitios, cerca de la línea de corte y cerca del extremo.
- **No utilice un disco desafilado o dañado.** Los discos sin filo, o con los dientes mal alineados producen una línea de corte angosta que causa fricción, presión sobre el disco y CONTRAGOLPE.
- **Las palancas de ajuste de profundidad e inclinación deben quedar aseguradas antes de hacer un corte.** Si los ajustes de la sierra cambian durante un corte, el disco se puede atorar, ocasionando un CONTRAGOLPE.
- **Tenga precaución extrema al hacer un "corte de bolsillo" en muros u otras partes ciegas.** La parte sobresaliente del disco puede hacer contacto con objetos que ocasionen un CONTRAGOLPE.

#### **REGLAS DE SEGURIDAD ADICIONALES: SIERRAS CIRCULARES**

- △ **ADVERTENCIA :** Parte del polvo creado al lijar, aserruchar, moler o perforar con máquina, así como al realizar otras actividades de la construcción, contiene sustancias químicas que se sabe producen cáncer, defectos congénitos u otras afecciones reproductivas. Algunos ejemplos de esas sustancias químicas son:
- plomo de pinturas a base de plomo,
  - sílice cristalizado de ladrillos y cemento y otros productos de albañilería, y
  - arsénico y cromo de la madera químicamente tratada (CCA).

El riesgo al contacto con estas sustancias varía, según la frecuencia en que se haga este tipo de trabajo. Para reducir la exposición a esas sustancias químicas: trabaje en un área bien ventilada, y trabaje con equipos de seguridad aprobados, tales como máscaras contra el polvo especialmente diseñadas para filtrar las partículas microscópicas.

- **Evite el contacto prolongado con el polvo proveniente del lijado, aserrado, amolado y taladrado eléctrico y otras actividades de construcción. Use vestimenta protectora y lave todas las áreas expuestas con agua y jabón.** De entrar polvo en sus ojos, boca, o que este permanezca sobre su piel puede promover la absorción de químicos dañinos.

△ **ADVERTENCIA: El uso de esta herramienta puede generar y/o dispersar el polvo, el cual puede ocasionar lesión respiratoria u otro tipo de lesión grave y permanente.**



Utilice siempre protección respiratoria NIOSH/OSHA apropiada para la exposición al polvo. Dirija las partículas lejos de su cara o su cuerpo.

**⚠ PRECAUCIÓN: Mientras use la herramienta, utilice la protección auditiva adecuada.** En determinadas condiciones y según el período de uso, el ruido provocado por este producto puede originar pérdida de audición.

- **Obstaculizar la guarda inferior en una superficie por debajo del material puede reducir el control del operador momentáneamente.** La sierra se puede levantar parcialmente aumentando las oportunidades de girar el disco. Asegúrese de que haya suficiente luz debajo de la pieza de trabajo.
- **Cuando sea necesario levantar la guarda inferior manualmente, utilice la palanca del mecanismo retráctil.**
- **CONSERVE LOS DISCOS LIMPIOS Y AFILADOS.** Los discos afilados minimizan los atascamientos y contragolpes. El empleo de discos sucios o desafilados aumenta la carga en la sierra, ocasionando que el operador tenga que empujar con mayor fuerza los que promueve que el disco cambie de dirección.
 

**⚠ ¡PELIGRO!: CONSERVE LAS MANOS FUERA DEL AREA DE CORTE.** Conserve las manos alejadas del disco. Nunca coloque las manos por enfrente ni por detrás de la ruta del disco al cortar. No coloque las manos por debajo de la pieza cuando el disco esté girando. No intente retirar el material cortado cuando la sierra esté en funcionamiento.
- **APOYO PARA PIEZAS GRANDES.** Los paneles grandes deben soportarse como se ilustra en la figura E & F de este manual para minimizar la posibilidad de que el disco se atore y ocasione un contragolpe. Cuando la operación de corte requiera que la sierra descansa sobre la pieza de trabajo, la sierra debe apoyarse en la porción más grande, y la parte más pequeña debe ser la que se separe.
- **SOLAMENTE EMPLEE EL DISCO ADECUADO Y LOS COMPONENTES DE ENSAMBLAJE DEL DISCO CORRECTOS EN EL MONTAJE.** No utilice discos con orificios de tamaño incorrecto. Nunca utilice tornillos o tuercas defectuosos o incorrectos para el disco. Siga los procedimientos de ensamblaje del disco.
- **AJUSTES.** Antes de cortar, asegúrese que los ajustes de profundidad y de bisel estén fijos.
- **APOYE Y ASEGURE LA PIEZA DE MANERA ADECUADA.** Asegúrese que el material que vaya a cortar esté sujeto (fig. G) y sólidamente soportado y balanceado en una base de trabajo estable y nivelada. Apoye la pieza de manera que la porción más ancha de la zapata de la sierra quede sobre la parte del material que no caerá después del corte. Nunca sujete la pieza que se desprende con la mano (fig. H). Puede ocurrir CONTRAGOLPE. Conserve siempre ambas manos en la sierra.
- **CONSERVESE ALERTA Y EN CONTROL.** Coloque su cuerpo a un lado del disco. Siempre sujete con firmeza y controlando la sierra con ambas manos. No cambie la manera de sujetar la sierra ni la posición del cuerpo durante la operación de la sierra. Tenga cuidado para evitar lesiones con las piezas que se desprenden y otros materiales que caen durante la operación.
- **APAGUE Y DESCONECTE LA SIERRA** antes de intentar limpiar la mirilla del disco.

### Protéjase contra el CONTRAGOLPE

- **¿QUÉ ES EL CONTRAGOLPE?** El contragolpe es el movimiento repentino de la sierra durante un corte, hacia el operador, lo que puede ocasionar lesiones personales graves.

**⚠ ¡PELIGRO!: LIBERE EL INTERRUPTOR INMEDIATAMENTE SI EL DISCO SE ATORA O LA SIERRA SE ATASCA.**

- **EL CONTRAGOLPE PUEDE SER OCASIONADO POR** el disco al atorarse, doblarse o rebotar durante el corte o si la sierra se atasca. Cuando el disco se desvía o pierde la línea de corte, los dientes y el borde trasero del disco pueden enterrarse en la superficie superior de la madera ocasionando que el disco salga del canal de corte y se mueva súbitamente hacia el operador.

### PARA REDUCIR EL RIESGO DE CONTRAGOLPE:

- Sujete firmemente la sierra con ambas manos siempre.
- Consérvese alerta y en control.
- Apoye los materiales largos que sobresalgan. Al cortar el material, éste se debilita y aprisiona el disco.
- Apoye los paneles largos como se muestra. El material apoyado solamente en los extremos ocasionará que el disco quede atrapado.
- Evite cortar en alto. El material se puede doblar y atrapar al disco.
- Conserve los discos limpios y afilados.

- Utilice una guía o una regla cuando corte tiras. Tenga cuidado ya que la tira que se desprende puede aprisionar el disco y ocasionar un contragolpe.
- No fuerce la herramienta. Las maderas tienen condiciones variables como nudos, dureza, humedad, etc. Las maderas tratadas a presión y las recién cortadas pueden sobrecargar la sierra ocasionando que se atasque. Empuje lentamente la sierra cuando esto ocurra.
- No retire la sierra del trabajo durante un corte y mientras el disco esté en movimiento.
- Permita que la sierra alcance la máxima velocidad antes que el disco haga contacto con el material a cortar. Encender la sierra con el disco apoyado en la pieza, o forzar el corte puede ocasionar que se atore o que la sierra salta hacia atrás intempestivamente.
- Nunca intente levantar la sierra cuando haga un corte a bisel. Esto ocasionará que el disco se atore y se atasque.
- Siempre asegure la pieza de trabajo para evitar movimientos durante el corte.
- No intente forzar la sierra de regreso a la línea de corte si este se desvía. Esto puede ocasionar contragolpe. Apague la sierra, retírela del corte e inicie un corte nuevo en la línea.
- Ajuste la profundidad de corte de manera que un diente completo del disco se proyecte por debajo de la pieza de trabajo, como se ilustra.
- No regrese el disco cuando esté en movimiento, ya que se puede desviar y algún diente se puede enterrar en el material, ocasionando que la sierra salte hacia atrás, hacia el operador.
- Evite cortar clavos. Revise la pieza y quite todos los clavos de la madera antes de cortarla.
- Algunos tipos de madera contienen conservadores como el arsenato cúprico de cromo (CCA) que pueden ser tóxicos. Cuando corte estos materiales, debe tener precaución extrema para evitar la inhalación y minimizar el contacto con la piel.

### **INSTRUCCIONES DE SEGURIDAD PARA EL LÁSER (BDCSL1806 SOLAMENTE)**

**⚠ PELIGRO:** : Radiación láser, evite la exposición directa de los ojos, pueden producirse lesiones oculares graves.

- No utilice herramientas ópticas, como por ejemplo un telescopio o un teodolito para ver el rayo láser.
- Coloque el láser de manera que se evite todo contacto accidental con los ojos.
- No opere el láser con niños alrededor ni permita que los niños operen el láser o la herramienta eléctrica.
- No desmontar. Cualquier modificación que se realice al producto aumenta el riesgo de radiación láser.

**⚠ ADVERTENCIA:** La utilización de controles o ajustes o la realización de procedimientos diferentes a los especificados en este manual podrían provocar el riesgo de exposición a radiación láser.

- No regule el láser si la sierra circular está enchufada.
- No opere la herramienta en atmósferas explosivas, como ambientes donde se encuentren líquidos, gases o polvo inflamables.
- Guarde el producto que no está en uso fuera del alcance de los niños y de personas no entrenadas. Las herramientas eléctricas y láseres son peligrosas si son operadas por usuarios no capacitados.
- Utilice sólo accesorios recomendados por el fabricante para el modelo que posee. Los accesorios correctos para un láser pueden provocar riesgo de lesiones si se utilizan con otro láser.
- Las reparaciones y el mantenimiento DEBEN ser realizados por un centro de reparaciones calificado. Las reparaciones realizadas por personal no calificado pueden provocar lesiones graves.
- No retire ni borre las etiquetas de advertencia. El retiro de las etiquetas aumenta el riesgo de exposición a radiación.
- Únicamente para uso en interiores.
- Este producto está diseñado para utilizarse con temperaturas entre 5 °C (41 °F) y 40 °C (104 °F).

## PAUTAS DE SEGURIDAD/DEFINICIONES

Es importante que lea y comprenda este manual. La información que contiene se relaciona con la protección de SU SEGURIDAD y la PREVENCIÓN DE PROBLEMAS. Los símbolos que siguen se utilizan para ayudarlo a reconocer esta información.

**⚠ PELIGRO:** indica una situación de peligro inminente que, si no se evita, provocará la muerte o lesiones graves.

**⚠ ADVERTENCIA:** indica una situación de peligro potencial que, si no se evita, provocará la muerte o lesiones graves.

**⚠ PRECAUCIÓN:** indica una situación de peligro potencial que, si no se evita, provocará lesiones leves o moderadas.

**PRECAUCIÓN:** utilizado sin el símbolo de alerta de seguridad indica una situación de peligro potencial que, si no se evita, puede provocar daños en la propiedad.

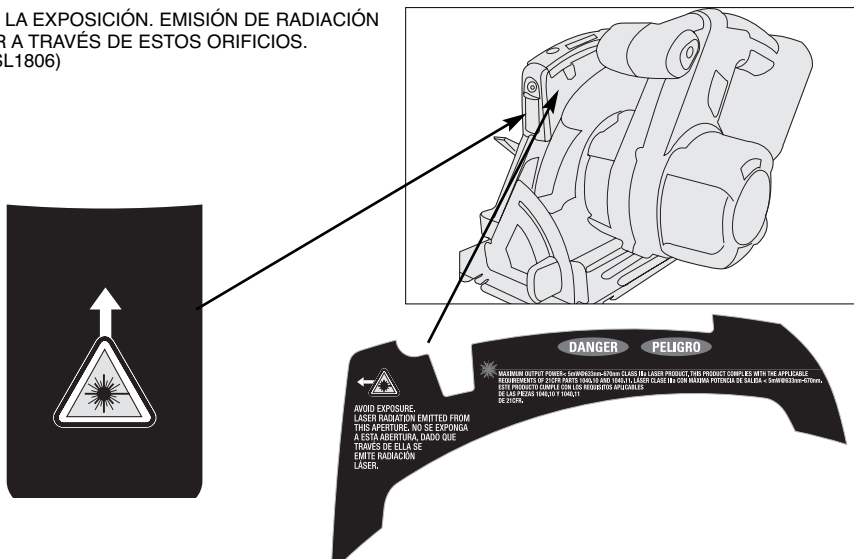
La etiqueta de su herramienta puede incluir los siguientes símbolos.

- |           |                     |          |            |
|-----------|---------------------|----------|------------|
| V .....   | voltios             | mW ..... | milivatios |
| nm .....  | longitud de ondas   |          |            |
| .....     | en nanómetros       |          |            |
| IIIa..... | Láser de Clase IIIa |          |            |

La etiqueta de su herramienta puede incluir los siguientes símbolos.

- |            |                             |                      |                                 |
|------------|-----------------------------|----------------------|---------------------------------|
| V .....    | volts                       | A .....              | amperes                         |
| Hz .....   | hertz                       | W .....              | watts                           |
| min .....  | minutos                     | ~ .....              | corriente alterna               |
| ==== ..... | corriente directa           | n <sub>0</sub> ..... | velocidad sin carga             |
| ☐ .....    | construcción clase II       | ⊕.....               | terminales de conexión a tierra |
| ⚠ .....    | símbolo de alerta seguridad | .../min .....        | revoluciones o reciprocaciones  |

EVITE LA EXPOSICIÓN. EMISIÓN DE RADIACIÓN LÁSER A TRAVÉS DE ESTOS ORIFICIOS. (BDCSL1806)



### ⚠ Instrucciones y advertencias de seguridad: carga

1. Este manual contiene instrucciones de operación y seguridad importantes.
2. Antes de utilizar el cargador de la batería, lea todas las instrucciones y las advertencias preventivas en el cargador de la batería y en el producto que utiliza la batería. ⚠ **PRECAUCIÓN:** Para reducir el riesgo de lesión, utilice el cargador solamente con este producto. Las baterías en otros productos pueden estallar y provocar daños personales o materiales.
3. No exponga el cargador a la lluvia ni a la nieve.
4. El uso de un accesorio no recomendado o no vendido por Black & Decker puede provocar riesgos de incendio, descarga eléctrica o daños personales.
5. Para reducir el riesgo de avería en el enchufe y cable eléctricos, tire del enchufe y no del cable al desconectar el cargador.
6. Asegúrese de que el cable esté ubicado de manera que no lo pise o se tropiece con él y que no esté sujeto a daños o tensiones de alguna otra manera.
7. No se debe utilizar un cable prolongador a menos que sea absolutamente necesario. El uso de un cable prolongador incorrecto puede provocar riesgo de incendio, descarga eléctrica o electrocución.
  - a) Se pueden usar cables de dos conductores con cables prolongadores de dos o tres conductores. Sólo se deben utilizar cables prolongadores con cubierta redonda y recomendamos que estén en la lista de Underwriters Laboratories (U.L.). Si la prolongación se va a utilizar en el exterior, el cable debe ser apropiado para usar en exteriores. Cualquier cable indicado para uso en exteriores también se puede utilizar en interiores. Las letras "W" o "WA" en la cubierta del cable indican que el cable es apropiado para uso en el exterior.
  - b) Un cable prolongador debe tener una medida de conductor adecuada (AWG o Medida de conductor estadounidense) por seguridad y para evitar pérdida de energía y recalentamiento. A menor número de calibre del conductor, mayor será la capacidad del cable; es decir, un calibre 16 tiene más capacidad que un calibre 18. Cuando se utiliza más de una prolongación para lograr la longitud total, asegúrese de que cada prolongación tenga la medida mínima de conductor.
8. Utilice únicamente el cargador provisto cuando carga su herramienta. El uso de cualquier otro cargador puede dañar la herramienta o provocar una condición de riesgo.
9. Utilice un solo cargador cuando carga.
10. No intente abrir el cargador. No contiene elementos que el cliente pueda reparar. Devuelva a cualquier centro de mantenimiento Black & Decker autorizado.
11. NO incinere la herramienta o las baterías aunque estén muy averiadas o completamente gastadas. Las baterías pueden explotar en el fuego.
12. En condiciones de uso, de carga o de temperaturas extremas, podría producirse una pequeña pérdida de líquido en las celdas de la batería. Esto no indica una falla. Sin embargo, si el sello externo está roto y esta pérdida toca su piel:
  - a. Lave rápidamente con agua y jabón.
  - b. Neutralice con un ácido suave como jugo de limón o vinagre.
  - c. Si el líquido de la batería entra en contacto con los ojos, lávelos con agua limpia durante al menos 10 minutos y busque atención médica inmediatamente.

**NOTA MÉDICA:** El líquido es una solución de hidróxido de potasio al 25%-35%.

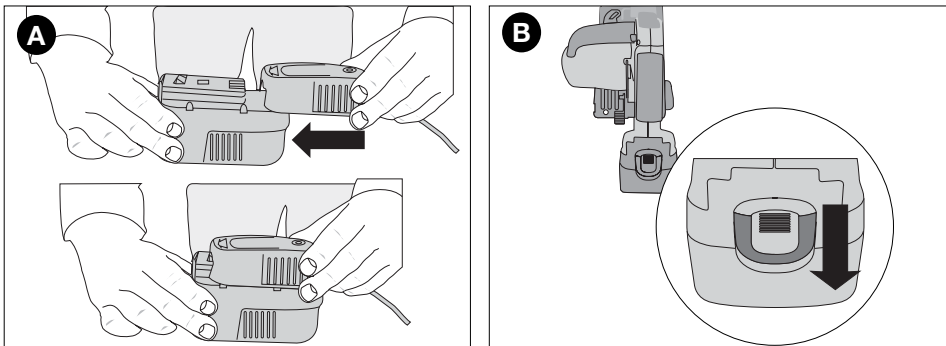
#### CARGA DE LA BATERÍA

LAS BATERÍAS EN SU PAQUETE DE ENERGÍA NO VIENEN COMPLETAMENTE CARGADAS DE FÁBRICA. ANTES DE INTENTAR CARGARLAS, LEA ATENTAMENTE TODAS LAS INSTRUCCIONES DE SEGURIDAD.

El cargador está diseñado para utilizar la energía eléctrica doméstica estándar, 120 voltios, 60 Hz. **NOTA: No cargue con un generador o un suministro de energía de corriente continua (CC). Utilice únicamente corriente alterna de 120 voltios.**

1. Enchufe el cargador en cualquier tomacorriente eléctrico estándar de 120 voltios, 60 Hz.
2. Deslice el cargador sobre la batería como se muestra en la **Figura A** y deje que la batería se cargue la primera vez durante **9 horas**. Después de la carga inicial, en condiciones normales de uso, su paquete de energía debería cargarse por completo en **3 a 9 horas**.

3. Retire la batería del cargador y colóquela en la herramienta. **NOTA:** Para retirar la batería de la sierra, oprima el botón de desbloqueo en la parte posterior de la batería (**Figura B**) y tire hacia afuera.



#### NOTAS IMPORTANTES SOBRE LA CARGA

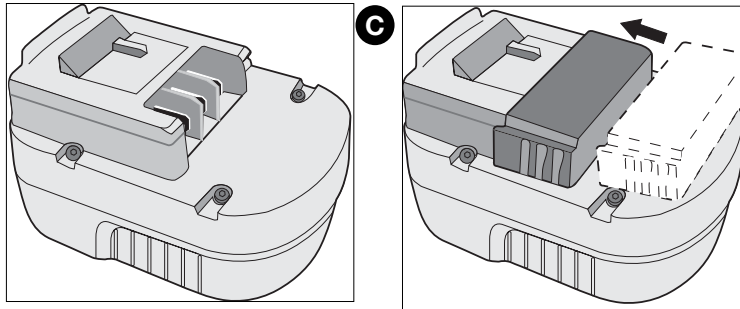
1. Después de un uso normal, el paquete de energía debería quedar completamente cargado en 3 horas o menos. Si el paquete de energía está completamente agotado, la carga completa podría demorar hasta 9 horas. El paquete de energía no viene con carga de fábrica. Antes de intentar utilizarlo, se debe cargar al menos durante 9 horas.
2. NO cargue el paquete de energía con una temperatura ambiental por debajo de 4,5 °C (40 °F) o por encima de 40,5 °C (105 °F). Esto es importante y evitará daños graves en el paquete de energía. Obtendrá mayor duración y mejor rendimiento si se carga el paquete de energía cuando la temperatura ambiental está en unos 24 °C (75 °F).
3. Durante la carga, el cargador puede zumbar y ponerse caliente al tacto. Esta condición es normal y no indica un problema.
4. Si el paquete de energía no se carga correctamente: (1) Controle la corriente del tomacorriente enchufando una lámpara u otro artefacto. (2) Verifique si el tomacorriente está conectado a un interruptor que corta la energía cuando usted apaga la luz. (3) Lleve el cargador y el paquete de energía a un ambiente con una temperatura de 4,5 °C (40 °F) a 40,5 °C (105 °F). (4) Si el tomacorriente y la temperatura son adecuados, y usted no puede cargar correctamente la herramienta, lleve o envíe el paquete de energía y el cargador al centro de mantenimiento Black & Decker local. Consulte "Herramientas eléctricas" en las páginas amarillas.
5. Se debe recargar el paquete de energía cuando no produce energía suficiente para tareas que previamente realizaba con facilidad. NO CONTINUE utilizando la sierra con su paquete de energía agotado.
6. Para prolongar la duración del paquete de energía, evite dejarlo cargando por más de 8 horas. Aunque sobrecargarlo no es una cuestión de seguridad, puede reducir significativamente la duración total del paquete de energía.
7. Al insertar la batería en el cargador, se encenderá la luz roja "Indicador de carga", señalando que hay contacto entre la batería y el cargador. La luz permanecerá encendida mientras la batería permanezca en el cargador y el cargador esté enchufado en un tomacorriente que funcione. NO centelleará, desaparecerá ni cambiará de color cuando el ciclo de carga esté completo.

#### INFORMACIÓN ACERCA DEL PROTECTOR DE LA BATERÍA (FIG. C)

Se han incluido protectores para el almacenaje y transporte de la batería. Estos deben ser usados cuando la batería no esté conectada a la herramienta ni en el cargador. Recuerde quitar el protector antes de poner la batería en el cargador o conectarla a la herramienta.

**⚠ ADVERTENCIA:** No guarde ni lleve baterías, unidades de alimentación o pilas en un lugar donde sus terminales pudieran entrar en contacto con algún objeto metálico. Por ejemplo, no ponga baterías, unidades de alimentación o pilas dentro de un delantal o bolsillo, una caja de herramientas o de almacenamiento del producto, un cajón, etc., junto con clavos sueltos, tornillos, llaves, etc. si no están debidamente protegidas. El transporte de baterías, unidades de alimentación o pilas puede causar un incendio si sus terminales entran en contacto sin querer con materiales conductores como llaves,

monedas, herramientas de mano y otros por el estilo. De hecho, el reglamento sobre materiales peligrosos (HMR) del Ministerio de Transporte de los Estados Unidos prohíbe el transporte de baterías, unidades de alimentación o pilas en cualquier tipo de transporte terrestre o aéreo (es decir, embaladas en maletas y maletines de mano) A NO SER que estén debidamente protegidas de hacer cortocircuito. Por lo tanto, cuando transporte baterías, unidades de alimentación o pilas individuales, asegúrese que sus terminales estén protegidos y debidamente aislados de materiales que pudieran entrar en contacto con ellos y causar un cortocircuito.



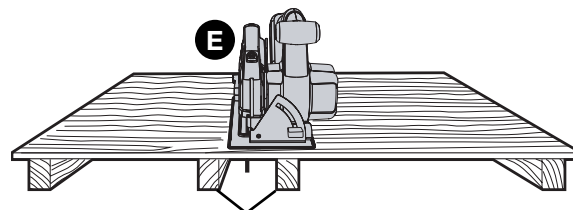
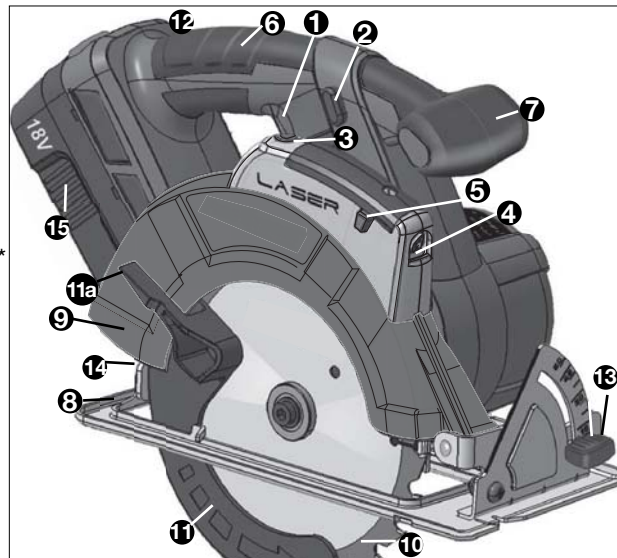
### DESCRIPCIÓN DE LAS FUNCIONES (FIGURA D)

1. Interruptor de encendido/apagado
2. Botón de bloqueo
3. Interruptor de encendido/apagado del láser\*
4. Láser\*
5. Lengüetas de ajuste del láser\*
6. Mango principal
7. Mango secundario
8. Zapata
9. Protector superior
10. Hoja para sierra
11. Protector de la hoja de la sierra
- 11a. Palanca retráctil del protector de la hoja
12. Llave (no se muestra)
13. Perilla de regulación de bisel.
14. Palanca de ajuste de profundidad (no se muestra)
15. Batería

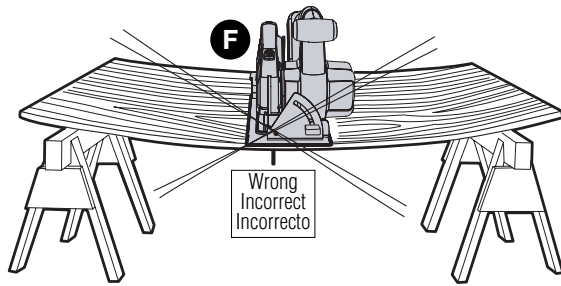
Botón de bloqueo del eje\*\* (no se muestra)

\*BDCSL1806 solamente

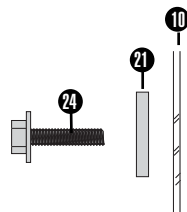
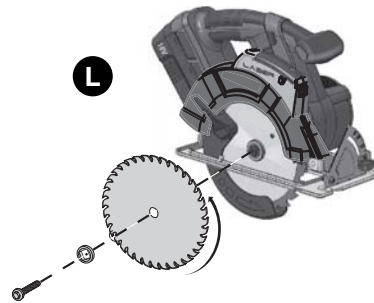
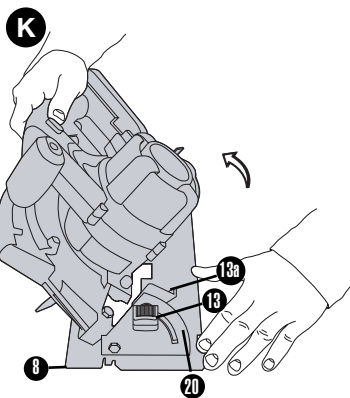
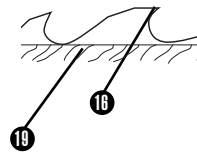
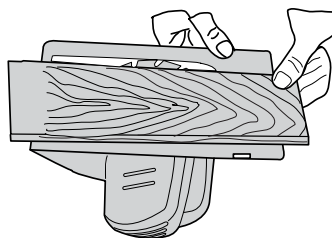
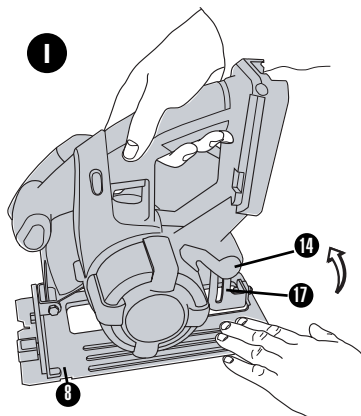
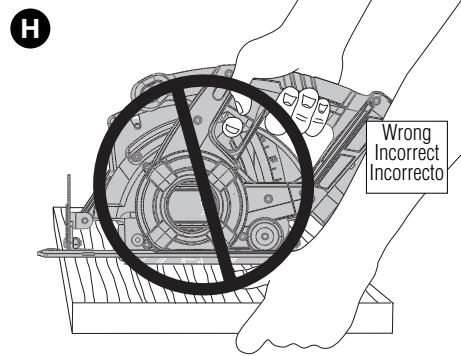
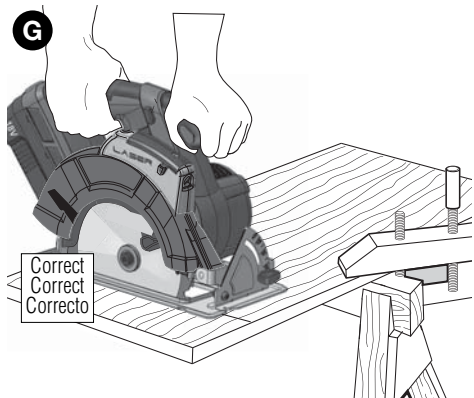
\*\*BDCS2406 solamente

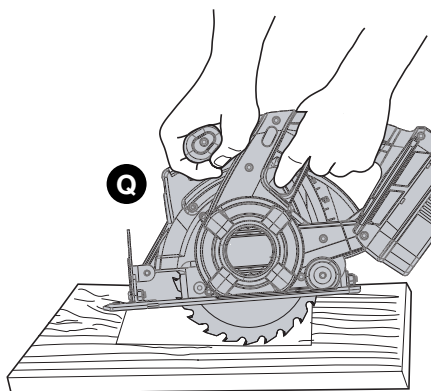
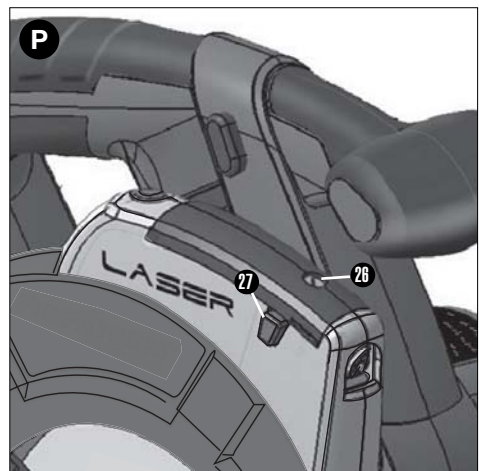
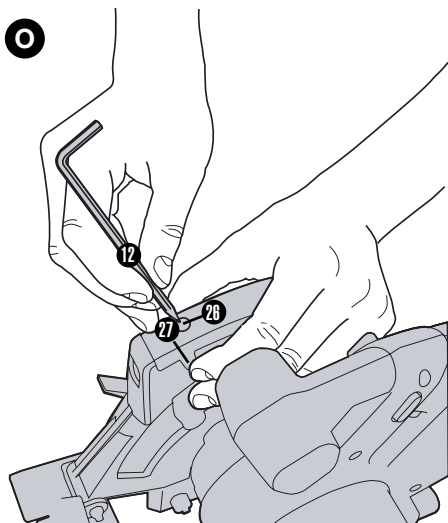
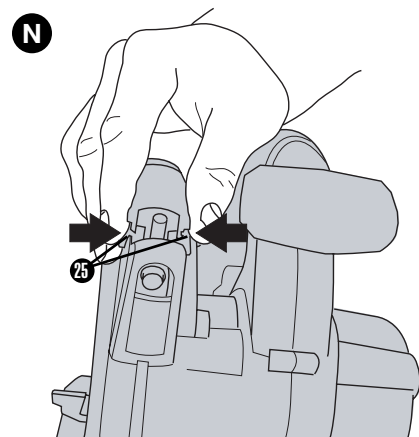
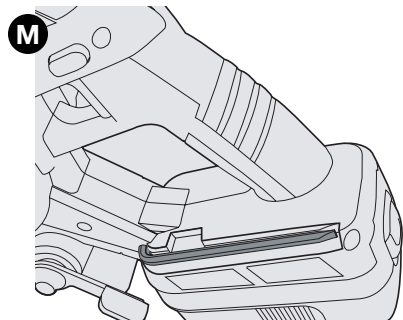


Support work near cut  
Soutenir la pièce près de la ligne de coupe.  
Apoye la pieza cerca del corte



Material bends on blade causing heavy loads or kickback  
 Le matériau plie au contact de la lame causant de lourdes surcharges ou des rebonds.  
 El material oprime el disco ocasionando sobrecarga o contragolpe







## Ensamblado/Regulaciones

**⚠ ADVERTENCIA: PARA REDUCIR EL RIESGO DE LESIONES, SIEMPRE RETIRE LA BATERÍA ANTES DE REALIZAR CUALQUIERA DE LOS SIGUIENTES AJUSTES.**

### AJUSTE DE LA PROFUNDIDAD DE CORTE (FIG. I Y J)

La profundidad de corte debe fijarse en función del grosor de la pieza de trabajo.

- Afloje la perilla o palanca de ajuste de profundidad (14) para destrabar la zapata de la sierra (8). NOTA: Puede ser una perilla o una palanca según el modelo que compre.
- Mueva la zapata de la sierra hasta la posición deseada. La profundidad de corte correspondiente puede leerse en la escala (17).
- Apriete la palanca o perilla para bloquear la zapata de la sierra en el lugar.
- Regule la profundidad de la sierra de manera que sólo un diente (18) de la hoja sobresalga bajo la pieza de trabajo (19), como se muestra en la figura J.

### REGULACIÓN DEL ÁNGULO DE BISEL (FIGURA K)

Esta herramienta puede fijarse para biselar ángulos entre 0° y 50°.

- Afloje la perilla de regulación de bisel (13) para desbloquear la zapata de la sierra.
- Mueva la zapata de la sierra (8) hasta la posición deseada. El ángulo de biselado correspondiente puede leerse de la escala (20).
- Ajuste la perilla de regulación de bisel (13) para trabar la zapata de la sierra en el lugar.

### AJUSTE DE LA ZAPATA PARA CORTES DE 90°

Si se requieren ajustes adicionales:

- Ajuste la sierra a un bisel de 0°.
- Repliegue el protector de la hoja (11). Coloque la sierra sobre el costado de la hoja.
- Afloje la perilla de regulación de bisel (13). Coloque una escuadra contra la hoja (10) y la zapata (8) para realizar el ajuste de 90°.
- Afloje la tuerca de inmovilización, mueva el tornillo de regulación (13a) para que la zapata se detenga a un ángulo adecuado y vuelva a ajustar la tuerca de inmovilización.
- Verifique la cuadratura de un corte real en una pieza de material desechable para confirmar la precisión de la configuración.

## INSTRUCCIONES DE OPERACIÓN

**⚠ ADVERTENCIA: Para reducir el riesgo de lesiones personales graves, lea, comprenda y siga todas las advertencias de seguridad y las instrucciones antes de usar la herramienta.**

### CORTES GENERALES

#### PREVÉNGASE DE RETROCESOS

Luego de retirar la batería, siga todas las instrucciones de montaje, regulación e instalación.

Asegúrese de que el protector inferior funcione. Seleccione la hoja correcta para el material a cortar.

- Mida y marque el trabajo para cortarlo.
- Sostenga y asegure correctamente el trabajo (consulte las Instrucciones y las Normas de seguridad).
- Utilice los equipos de seguridad apropiados y requeridos (consulte las Normas de seguridad).
- Afirme y sostenga el área de trabajo (consulte las Normas de seguridad).
- Con la batería colocada, asegúrese de que el interruptor encienda y apague la sierra.

**⚠ ADVERTENCIA: Para reducir el riesgo de lesiones, es importante apoyar bien el trabajo y sostener la sierra firmemente para evitar la pérdida de control, la que podría provocar lesiones personales.** Fig. G ilustra un soporte manual típico.

## COLOCACIÓN Y REMOCIÓN DE LA HOJA (FIGURAS L Y L1)

**NOTA:** La primera vez que se retira el perno de la hoja de la sierra sin una hoja instalada, puede ser necesario colocar la llave de la hoja en la cabeza del perno y girarla con fuerza en el sentido contrario a las agujas del reloj.

- Repliegue el protector inferior (11) y ensamble la hoja (10) y la arandela de la abrazadera (21), como se muestra en la Fig. L.
- **(BDCS2406 solamente)** Para prevenir la rotación de la lámina mantenga el botón de cerradura (28) del huso presionado y gire la lámina hasta que la cerradura del huso enganche (Fig. L).
- Ajuste bien el tornillo de ajuste de la hoja con la llave para cambio de hoja.
- **(El resto de los modelos)** Para evitar la rotación de la hoja mientras ajusta el tornillo de ajuste de la hoja (20), eleve el protector inferior y coloque la sierra sobre un pedazo de madera de descarte, como se muestra en la Fig. L1. Los dientes de la hoja se clavarán en la madera de descarte y evitarán la rotación de la hoja.
- Ajuste bien el tornillo de ajuste de la hoja con la llave para cambio de hoja.

**NOTA:** La llave para cambio de hoja se almacena en la cubierta de la sierra, como se muestra en la Fig. M.

### Protector inferior de la hoja

**⚠ADVERTENCIA:** Peligro de laceración. **ADVERTENCIA:** El protector inferior de la hoja es un dispositivo de seguridad que reduce el riesgo de lesiones personales graves. Nunca utilice la sierra si el protector inferior falta, está dañado, mal montado o no funciona correctamente. No confíe en el protector inferior de la hoja para protegerse ante cualquier circunstancia. Su seguridad depende de que respete todas las advertencias y precauciones y de que opere la sierra adecuadamente. Antes de cada uso, verifique que el protector inferior cierre correctamente como se describe en la sección Normas de seguridad adicionales para sierras circulares. Si el protector inferior de la hoja falta o no funciona adecuadamente, haga reparar la sierra antes de usarla. Para garantizar la seguridad y la confiabilidad del producto, las reparaciones, el mantenimiento y los ajustes se deben realizar en los centros de mantenimiento autorizados o en otras organizaciones de mantenimiento calificadas, y siempre deben utilizarse piezas de repuesto idénticas.

**⚠ADVERTENCIA:** Para minimizar el riesgo de lesión ocular, utilice siempre protección para los ojos. El carburo es un material duro pero frágil. Los materiales extraños en la pieza de trabajo como alambres o clavos pueden ocasionar el quiebre o la rotura de las puntas. Sólo opere la sierra si el protector de la hoja de la sierra adecuado se encuentra en su lugar. Antes de usar la sierra, monte la hoja de manera segura en la dirección de rotación correspondiente y utilice siempre una hoja limpia y afilada.

**⚠PRECAUCIÓN:** No utilice esta sierra para cortar metales ferrosos (acero), mampostería, vidrios o cerámicos. Una hoja sin filo puede ocasionar un corte lento e ineficiente, la sobrecarga del motor, la formación excesiva de astillas y puede aumentar la posibilidad de retroceso de la hoja.

### INTERRUPTOR

La herramienta está equipada con un mecanismo de bloqueo del interruptor que evita que se ponga en funcionamiento en forma accidental.

- Para operar la herramienta, presione el botón de bloqueo (2) de cualquiera de los lados de la sierra y sosténgalo mientras presiona el interruptor de velocidad variable (1).
- Luego de presionar el interruptor y de poner la herramienta en funcionamiento, libere el botón de bloqueo. La unidad funcionará el tiempo que se mantenga oprimido el disparador.
- Para apagar la herramienta, suelte el interruptor disparador.

**NOTA:** Esta herramienta no posee un dispositivo para mantenerla en marcha constante y nunca se debe trabar el interruptor de ninguna otra manera.

### FRENO ELÉCTRICO AUTOMÁTICO

La sierra viene equipada con un freno eléctrico automático que detiene la hoja de la sierra después de los cinco segundos de haber liberado el disparador. Funciona de manera automática y no requiere ajustes.

Ocasionalmente, en determinadas condiciones, el freno no funcionará correctamente y no detendrá la sierra en 1 1/2 segundos como se indicó anteriormente. Si esto ocurre:

- Apague y encienda la sierra cuatro o cinco veces.

- Si el problema aún persiste, haga reparar la herramienta en un centro de mantenimiento de Black & Decker o en una instalación de mantenimiento autorizada.

## USO DEL LÁSER - (BDCSL1806 SOLAMENTE)

### INSTALACIÓN DE LAS BATERÍAS (FIGURE N)

**⚠ ADVERTENCIA: RADIACIÓN LÁSER. ASEGÚRESE DE QUE EL BOTÓN DE ENCENDIDO/APAGADO (ON/OFF) DEL LÁSER ESTÉ EN LA POSICIÓN DE APAGADO (OFF) (VER LA SECCIÓN "APAGADO Y ENCENDIDO DEL LÁSER") ANTES DE INSTALAR LAS BATERÍAS.**

Levante la tapa de la batería (25) del módulo láser (4) oprimiendo suavemente la parte frontal de la tapa como se muestra en la figura N. Inserte 2 baterías AAA de 1,5 voltios nuevas y asegúrese de que los terminales (+) y (-) coincidan correctamente. Vuelva a colocar la tapa de las baterías.

**⚠ ADVERTENCIA: Las baterías pueden explotar o tener pérdidas y pueden provocar lesiones o incendios.** Para disminuir este riesgo:

- Siga cuidadosamente todas las instrucciones y las advertencias de la etiqueta y el envase de la batería.
- Introduzca siempre las baterías correctamente respetando la polaridad (+ y -) indicada en la batería y en el equipo.
- No produzca un cortocircuito con los terminales de la batería.
- No cargue las baterías.
- No mezcle baterías nuevas y viejas. Reemplácelas todas al mismo tiempo por baterías nuevas de la misma marca y tipo.
- Retire todas las baterías agotadas inmediatamente y elimínelas de acuerdo con los códigos locales.
- No arroje las baterías al fuego.
- Mantenga las baterías fuera del alcance de los niños.
- Retire las baterías si el aparato no se va a usar durante varios meses.

"Transportar baterías puede provocar incendios si los terminales de la batería entran en contacto accidentalmente con materiales conductores como llaves, monedas, herramientas de mano u objetos similares. Las Normas para Materiales Peligrosos del Departamento de Transporte de Estados Unidos (HMR) en realidad prohíben transportar baterías comercialmente o en aeroplanos (es decir, empacadas en valijas y equipaje de mano) A MENOS que estén protegidas correctamente de cortocircuitos. Por lo tanto, cuando transporte baterías individuales, asegúrese de que los terminales de la batería están protegidos y bien aislados de materiales que puedan hacer contacto y causar un cortocircuito".

### LÁSER INCORPORADO EN LA UNIDAD

Su sierra está equipada con un láser desmontable que se enciende y apaga independientemente de la sierra.

**⚠ ADVERTENCIA: RADIACIÓN LÁSER. Nunca apunte el rayo a una pieza de trabajo que tenga una superficie reflectante.** Se recomienda no usar el láser con láminas de acero brillantes y reflectantes u otras superficies reflectantes similares. Las superficies reflectantes pueden dirigir el rayo hacia el operador.

**⚠ PELIGRO: RADIACIÓN LÁSER. EVITE LA EXPOSICIÓN DIRECTA DE LOS OJOS. No mire hacia la fuente de luz láser. Nunca apunte la luz hacia otra persona u objeto que no sea el trabajo.** La luz láser puede dañar los ojos.

**⚠ ADVERTENCIA: NO utilice anteojos coloreados para aumentar la luz láser.** Los anteojos coloreados reducen la visión total para el uso e interfieren con la operación normal de la herramienta.

### APAGADO Y ENCENDIDO DEL LÁSER

- Para encender el láser, presione el botón de encendido/apagado (3). Para apagarlo, presione el botón por segunda vez.

NOTA: El botón de encendido/apagado del láser tiene dos posiciones diferentes. La posición inferior es la posición de encendido (el botón está levemente por debajo de la superficie) y la posición superior es la posición de apagado (el botón está al ras con la superficie).

**AJUSTE DEL LÁSER (FIGURA O & P)****⚠ PRECAUCIÓN: ANTES DE CAMBIAR LOS ACCESORIOS O REALIZAR UN AJUSTE, APAGUE LA SIERRA Y RETIRE LAS BATERÍAS.**

El láser se puede ajustar para eliminar el error lateral o angular.

- Utilizando una pieza de madera contrachapada montada firmemente o un revestimiento, realice un corte parcial, al menos tan extenso como la zapata.
- Apague la sierra, manténgala quieta y después de que la hoja deje de girar, retire la sierra del corte.
- Con una regla y un lápiz trace una línea recta en la madera contrachapada como si extendiese el corte desde donde finalizó.
- **RETIRE LA BATERÍA DE LA SIERRA ANTES DE REALIZAR LOS AJUSTES DEL LÁSER.**
- Con la sierra regulada a una profundidad máxima de corte, repliegue el protector inferior y coloque la hoja de la sierra nuevamente en el corte donde finalizó (al comienzo de la línea de lápiz).
- Con la zapata de la sierra sostenida sólidamente sobre la madera contrachapada, encienda el láser, afloje el tornillo de regulación del láser (26) con la llave suministrada (12) y utilice las lengüetas de ajuste (27) en cada lado del módulo del láser para alinear la línea láser con la línea de lápiz, luego vuelva a ajustar el tornillo de regulación.
- Apague el láser y retire la sierra del corte antes de volver a insertar la batería de la sierra.

**PARA USAR LA LÍNEA LÁSER**

- Marque la línea que quiere cortar en el trabajo.
- Regule la profundidad y el ángulo de corte requeridos.
- Empuje el interruptor de encendido/apagado del láser (3) hasta la posición de encendido ("ON") y proyecte el haz del láser.
- Oprima el botón de bloqueo (2) y oprima el interruptor de encendido/apagado de la sierra y permita que la hoja alcance la velocidad máxima.
- Coloque la zapata de la sierra sobre la pieza de trabajo. Alinee la línea láser con la marca del trabajo y lentamente empuje la sierra hacia adelante manteniendo la línea láser sobre la marca.
- Al terminar el corte, suelte el disparador y permita que la hoja de la sierra se detenga por completo antes de apagar el láser.

**OPERACIÓN DE CORTE**

**⚠ ADVERTENCIA:** Para reducir el riesgo de lesiones personales graves, siempre sostenga la herramienta con ambas manos.

- Deje que la hoja se mueva libremente algunos segundos antes de empezar a cortar.
- Aplique sólo presión ligera a la herramienta mientras realiza el corte.
- Trabaje con la zapata presionada contra la pieza de trabajo.

**CORTES INTERNOS (FIGURA Q)**

**⚠ PRECAUCIÓN:** Nunca mueva la sierra hacia atrás cuando realice cortes internos. Esto puede ocasionar que la unidad se eleve de la superficie de trabajo y se produzcan lesiones.

**⚠ ADVERTENCIA:** Peligro de laceración. Nunca ate el protector de la hoja en una posición elevada.

Los cortes internos se utilizan para hacer un hoyo en una pieza de material sin necesidad de cortar desde el costado.

- Mida y marque el trabajo.
- Incline la sierra hacia adelante y apoye el frente de la zapata en el material que desea cortar. Alinee de manera que el corte comience en la parte posterior del rectángulo dibujado.
- Con la ayuda de la palanca retráctil (28), repliegue el protector de la hoja a una posición vertical, con la hoja justo fuera del material, encienda el motor e introduzca la sierra gradualmente en el material.
- **⚠ ADVERTENCIA: Peligro de laceración.** En cuanto la hoja comience a cortar el material, suelte inmediatamente la palanca retráctil.
- Cuando la zapata esté plana sobre el material que se está cortando, complete el corte hacia adelante.
- Permita que la hoja se detenga completamente antes de levantar la sierra del material.
- Cada vez que inicie un nuevo corte, repita los pasos anteriores.

## MANTENIMIENTO

### RETIRE LA BATERÍA DE LA SIERRA AL REALIZAR LA LIMPIEZA U OTRO TIPO DE MANTENIMIENTO.

Utilice únicamente jabón suave y un trapo húmedo para limpiar la herramienta. Nunca permita que se introduzcan líquidos en la herramienta; nunca sumerja ninguna parte de la herramienta en ningún líquido. **IMPORTANTE:** Para garantizar la SEGURIDAD y la CONFIABILIDAD del producto, la reparaciones, el mantenimiento y los ajustes deberán efectuarse en centros de servicio autorizado u otras organizaciones de servicio calificado, que utilicen siempre refacciones idénticas.

## ACCESORIOS

Los accesorios recomendados para emplearse con su herramienta, están a su disposición con el distribuidor o centro de servicio autorizado de su localidad. Si necesita ayuda en relación con los accesorios, por favor llame: **(55)5326-7100**

**⚠ ADVERTENCIA:** El uso de cualquier accesorio no recomendado para emplearse con esta herramienta puede ser peligroso.

Modelo	Diámetro de la hoja
BDCS1806	165 mm (6-1/2 pulg.)
BDCS1806	
BDGCS1806	
BDCS2406	
BDCS1807	185 mm (7-1/4 pulg.)

Use únicamente hojas de ranura fina. El uso de hojas más gruesas afectará el desempeño de la sierra.

Las hojas de carburo se recomiendan especialmente para obtener el máximo rendimiento.

**NUNCA UTILICE HOJAS ABRASIVAS O PARA CORTES DE METAL EN LA SIERRA.**

### DETECCIÓN DE PROBLEMAS

#### Problema

- La unidad no enciende.

- La batería no carga.

#### Causa posible

- La batería no está bien instalada.

- La batería no carga.

- La batería no está insertada en el cargador.

- El cargador no está enchufado.

- Temperatura ambiental demasiado caliente o demasiado fría.

#### Solución posible

- Verifique la instalación de la batería.

- Verifique los requisitos de carga de la batería.

- Inserte la batería en el cargador hasta que se encienda la luz roja (LED).

- Enchufe el cargador en un tomacorriente que funcione.

Para conocer más detalles, consulte "Notas importantes sobre la carga".

- Controle la corriente del tomacorriente enchufando una lámpara u otro artefacto.

- Verifique si el tomacorriente está conectado a un interruptor que corta la energía cuando usted apaga la luz.

- Mueva el cargador y la herramienta a un ambiente con una temperatura superior a 4,5 °C (40 °F) o inferior a 40,5 °C (105 °F).

Para conocer la ubicación del centro de mantenimiento más cercano a fin de recibir ayuda con su producto, visite nuestro sitio Web [www.blackanddecker.com](http://www.blackanddecker.com) o llame a la línea de ayuda BLACK & DECKER al **(55)5326-7100**.

**EL SELLO RBRC™**

El sello RBRC™ en las baterías de níquel-cadmio indica que Black & Decker participa voluntariamente en un programa industrial para recolectar y reciclar estas baterías al término de su vida útil, cuando se retiran de servicio dentro de los Estados Unidos. El programa RBRC™ proporciona una conveniente alternativa para el depósito en los lotes de basura municipales de las baterías de níquel-cadmio desgastadas, hecho que es ilegal en algunas regiones. Los pagos de Black & Decker a RBRC™ hacen más sencillo para usted deshacerse de sus baterías desgastadas con los distribuidores de baterías de níquel-cadmio de su localidad, o en los centros de servicio autorizado Black & Decker. También puede comunicarse al centro de reciclaje de su localidad para que le informen de los lugares a los que puede regresar las baterías desgastadas. La entrada de Black & Decker a este programa es parte de su compromiso para proteger nuestro medio ambiente y conservar los recursos naturales.

**INFORMACIÓN DE MANTENIMIENTO**

Todos los Centros de mantenimiento de Black & Decker cuentan con personal altamente capacitado dispuesto a brindar a todos los clientes un servicio eficiente y confiable en la reparación de herramientas eléctricas. Si necesita consejo técnico, reparaciones o piezas de repuesto originales de fábrica, póngase en contacto con el centro de mantenimiento de Black & Decker más cercano a su domicilio. Para ubicar su centro de servicio local, consulte la sección "Herramientas eléctricas" (Tools-Electric) de las páginas amarillas, llame al **(55)5326-7100** o visite nuestro sitio **www.blackanddecker.com**.

**GARANTÍA COMPLETA DE DOS AÑOS PARA USO EN EL HOGAR**

Black & Decker (Estados Unidos) Inc. ofrece una garantía de dos años por cualquier defecto del material o de fabricación de este producto. El producto defectuoso se reparará o reemplazará sin costo alguno de dos maneras.

La primera opción, el reemplazo, es devolver el producto al comercio donde se lo adquirió (siempre y cuando se trate de un comercio participante). Las devoluciones deben realizarse conforme a la política de devolución del comercio (generalmente, entre 30 y 90 días posteriores a la venta). Le pueden solicitar comprobante de compra. Consulte en el comercio acerca de la política especial sobre devoluciones una vez excedido el plazo establecido.

La segunda opción es llevar o enviar el producto (con flete pago) a un Centro de mantenimiento propio o autorizado de Black & Decker para su reparación o reemplazo según nuestro criterio. Le pueden solicitar el comprobante de compra. Los Centros de mantenimiento autorizados y de propiedad de Black & Decker se detallan en la sección "Herramientas eléctricas" (Tools-Electric) de las páginas amarillas de la guía telefónica. Esta garantía no se extiende a los accesorios. Esta garantía le concede derechos legales específicos; usted puede tener otros derechos que pueden variar según el estado o la provincia. Si tiene alguna pregunta, comuníquese con el gerente del Centro de mantenimiento de Black & Decker de su zona. Este producto no está diseñado para uso comercial.

**REEMPLAZO GRATUITO DE LAS ETIQUETAS DE ADVERTENCIAS:** si sus etiquetas de advertencia se tornan ilegibles o faltan, llame al **(55)5326-7100** para que se le reemplacen gratuitamente.

**Para reparación y servicio de sus herramientas eléctricas, favor de dirigirse al Centro de Servicio más cercano:**

**CULIACAN, SIN**

Av. Nicolás Bravo #1063 Sur  
(667) 7 12 42 11  
Col. Industrial Bravo

**GUADALAJARA, JAL**

Av. La Paz #1779  
(33) 3825 6978  
Col. Americana Sector Juarez

**MEXICO, D.F.**

Eje Central Lázaro Cardenas  
No. 18  
(55) 5588 9377  
Local D, Col. Obrera

**MERIDA, YUC**

Calle 63 #459-A  
(999) 928 5038  
Col. Centro

**MONTERREY, N.L.**

Av. Francisco I. Madero  
No.831  
(81) 8375 2313  
Col. Centro

**PUEBLA, PUE**

17 Norte #205  
(222) 246 3714  
Col. Centro

**QUERETARO, QRO**

Av. Madero 139 Pte.  
(442) 214 1660  
Col. Centro

**SAN LUIS POTOSI, SLP**

Av. Universidad 1525  
(444) 814 2383  
Col. San Luis

**TORREON, COAH**

Blvd. Independencia, 96 Pte.  
(871) 716 5265  
Col. Centro

**VERACRUZ, VER**

Prolongación Díaz Mirón #4280  
(229)921 7016  
Col. Remes

**VILLAHERMOSA, TAB**

Constitución 516-A  
(993) 312 5111  
Col. Centro

**PARA OTRAS LOCALIDADES LLAME AL: (55) 5326 7100**

**Vea "Herramientas  
eléctricas (Tools-Electric)"  
- Páginas amarillas -  
para Servicio y ventas**



**BLACK & DECKER S.A. DE C.V.  
BOSQUES DE CIDROS ACCESO  
RADIATAS NO. 42  
COL. BOSQUES DE LAS LOMAS.  
05120 MÉXICO, D.F  
TEL. 55-5326-7100**

**Especificaciones**

**CARGADOR: 120V, 60Hz, SALIDA: 21,75 Vdc ~ 210mA**

**ESPECIFICACIONES TÉCNICAS DEL LÁSER:**

Longitud de ondas de diodo del láser: 633 a 670 nm (color rojo)  
Clase de láser: IIIa  
Temperatura de funcionamiento: 5°C (41°F) a 40°C (104°F)  
Precisión: +/- 1,8 mm cada 300 mm





## Free Manuals Download Website

<http://myh66.com>

<http://usermanuals.us>

<http://www.somanuals.com>

<http://www.4manuals.cc>

<http://www.manual-lib.com>

<http://www.404manual.com>

<http://www.luxmanual.com>

<http://aubethermostatmanual.com>

Golf course search by state

<http://golfingnear.com>

Email search by domain

<http://emailbydomain.com>

Auto manuals search

<http://auto.somanuals.com>

TV manuals search

<http://tv.somanuals.com>