



Orbital Action JigSaw with Laser

INSTRUCTION MANUAL

Catalog Number
JS650L



THANK YOU FOR CHOOSING BLACK & DECKER!
GO TO WWW.BLACKANDDECKER.COM/NEWOWNER
TO REGISTER YOUR NEW PRODUCT.

**BEFORE RETURNING THIS PRODUCT
FOR ANY REASON PLEASE CALL
1-800-544-6986**

BEFORE YOU CALL, HAVE THE CATALOG No. AND DATE CODE AVAILABLE. IN MOST CASES, A
BLACK & DECKER REPRESENTATIVE CAN RESOLVE THE PROBLEM OVER THE PHONE. IF YOU HAVE
A SUGGESTION OR COMMENT, GIVE US A CALL. YOUR FEEDBACK IS VITAL TO BLACK & DECKER.

SAVE THIS MANUAL FOR FUTURE REFERENCE.

VEA EL ESPAÑOL EN LA CONTRAPORTADA.

INSTRUCTIVO DE OPERACIÓN, CENTROS DE SERVICIO Y PÓLIZA DE GARANTÍA.

ADVERTENCIA: LÉASE ESTE INSTRUCTIVO ANTES DE USAR EL PRODUCTO.

GENERAL SAFETY RULES

⚠ WARNING! Read and understand all instructions. Failure to follow all instructions listed below may result in electric shock, fire and/or serious injury. The term "power tool" in all of the warnings listed below refers to your mains-operated (corded) power tool or battery-operated (cordless) power tool.

⚠ WARNING: To reduce the risk of injury, user must read instruction manual.

SAVE THESE INSTRUCTIONS

1) WORK AREA SAFETY

- a) **Keep work area clean and well lit.** Cluttered or dark areas invite accidents.
- b) **Do not operate power tools in explosive atmospheres, such as in the presence of flammable liquids, gases or dust.** Power tools create sparks which may ignite the dust or fumes.
- c) **Keep children and bystanders away while operating a power tool.** Distractions can cause you to lose control.

2) ELECTRICAL SAFETY

- a) **Power tool plugs must match the outlet. Never modify the plug in any way. Do not use any adapter plugs with earthed (grounded) power tools.** Unmodified plugs and matching outlets will reduce risk of electric shock
- b) **Avoid body contact with earthed or grounded surfaces such as pipes, radiators, ranges and refrigerators.** There is an increased risk of electric shock if your body is earthed or grounded.
- c) **Do not expose power tools to rain or wet conditions.** Water entering a power tool will increase the risk of electric shock
- d) **Do not abuse the cord. Never use the cord for carrying, pulling or unplugging the power tool. Keep cord away from heat, oil, sharp edges or moving parts.** Damaged or entangled cords increase the risk of electric shock. Replace or repair damaged cords. Make sure your extension cord is in good condition. Use only 3-wire extension cords that have 3-prong grounding-type plugs and 3-pole receptacles that accept the tool's plug.
- e) **When operating a power tool outdoors, use an extension cord suitable for outdoor use.** Use of a cord suitable for outdoor use reduces the risk of electric shock. When using an extension cord, be sure to use one heavy enough to carry the current your product will draw. An undersized cord will cause a drop in line voltage resulting in loss of power and overheating. The following table shows the correct size to use depending on cord length and nameplate ampere rating. If in doubt, use the next heavier gage. The smaller the gage number, the heavier the cord.

Volts	Minimum Gage for Cord Sets				
	Total Length of Cord in Feet				
120V	0-25	26-50	51-100	101-150	
240V	0-50	51-100	101-200	201-300	
Ampere Rating					
More Than	Not more Than	American Wire Gage			
0 - 6	18	16	16	14	
6 - 10	18	16	14	12	
10 - 12	16	16	14	12	
12 - 16	14	12	Not Recommended		

3) PERSONAL SAFETY

- a) **Stay alert, watch what you are doing and use common sense when operating a power tool. Do not use a power tool while you are tired or under the influence of drugs, alcohol or medication.** A moment of inattention while operating power tool may result in serious personal injury.
- b) **Use safety equipment. Always wear eye protection.** Safety equipment such as dust mask, non-skid safety shoes, hard hat, or hearing protection used for appropriate conditions will reduce personal injuries.

- c) **Avoid accidental starting. Ensure the switch is in the off-position before plugging in.** Carrying power tools with your finger on the switch or plugging in power tools that have the switch on invites accidents.
 - d) **Remove any adjusting key or wrench before turning the power tool on.** A wrench or a key left attached to a rotating part of the power tool may result in personal injury.
 - e) **Do not overreach. Keep proper footing and balance at all times.** This enables better control of the power tool in unexpected situations.
 - f) **Dress properly. Do not wear loose clothing or jewelry. Keep your hair, clothing and gloves away from moving parts.** Loose clothes, jewelry or long hair can be caught in moving parts. Air vents often cover moving parts and should also be avoided.
 - g) **If devices are provided for the connection of dust extraction and collection facilities, ensure these are connected and properly used.** Use of these devices can reduce dust-related hazards.
- 4) POWER TOOL USE AND CARE**
- a) **Do not force the power tool. Use the correct power tool for your application.** The correct power tool will do the job better and safer at the rate for which it was designed.
 - b) **Do not use the power tool if the switch does not turn it on and off.** Any power tool that cannot be controlled with the switch is dangerous and must be repaired.
 - c) **Disconnect the plug from the power source and/or the battery pack from the power tool before making any adjustments, changing accessories, or storing power tools.** Such preventive safety measures reduce the risk of starting the power tool accidentally.
 - d) **Store idle power tools out of the reach of children and do not allow persons unfamiliar with the power tool or these instructions to operate the power tool.** Power tools are dangerous in the hands of untrained users.
 - e) **Maintain power tools. Check for misalignment or binding of moving parts, breakage of parts and any other condition that may affect the power tools operation. If damaged, have the power tool repaired before use.** Many accidents are caused by poorly maintained power tools.
 - f) **Keep cutting tools sharp and clean.** Properly maintained cutting tools with sharp cutting edges are less likely to bind and are easier to control.
 - g) **Use the power tool, accessories and tool bits etc., in accordance with these instructions and in the manner intended for the particular type of power tool, taking into account the working conditions and the work to be performed.** Use of the power tool for operations different from those intended could result in a hazardous situation.
- 5) SERVICE**
- a) **Have your power tool serviced by a qualified repair person using only identical replacement parts.** This will ensure that the safety of the power tool is maintained.
 - b) **If the replacement of the supply cord is necessary, this has to be done by the manufacturer or his agent in order to avoid a safety hazard.**

Specific Safety Rules

- a) **Hold tool by insulated gripping surfaces when performing an operation where the cutting tool may contact hidden wiring or its own cord.** Contact with a "live" wire will make exposed metal parts of the tool "live" and shock the operator.
- b) **Keep hands away from cutting area.** Never reach underneath the material for any reason. Hold front of saw by grasping the contoured gripping area. Do not insert fingers or thumb into the vicinity of the reciprocating blade and blade clamp. Do not stabilize the saw by gripping the shoe.
- c) **Use clamps or another practical way to secure and support the workpiece to a stable platform.** Holding the work by hand or against your body leaves it unstable and may lead to loss of control.
- d) **Keep blades sharp.** Dull blades may cause the saw to swerve or stall under pressure.

e) When cutting pipe or conduit ensure that they are free from water, electrical wiring, etc.

⚠ WARNING: Some dust created by power sanding, sawing, grinding, drilling, and other construction activities contains chemicals known to cause cancer, birth defects or other reproductive harm. Some examples of these chemicals are:

- lead from lead-based paints,
- crystalline silica from bricks and cement and other masonry products, and
- arsenic and chromium from chemically-treated lumber (CCA).

Your risk from these exposures varies, depending on how often you do this type of work. To reduce your exposure to these chemicals: work in a well ventilated area, and work with approved safety equipment, such as those dust masks that are specially designed to filter out microscopic particles.

• **Avoid prolonged contact with dust from power sanding, sawing, grinding, drilling, and other construction activities. Wear protective clothing and wash exposed areas with soap and water.** Allowing dust to get into your mouth, eyes, or lay on the skin may promote absorption of harmful chemicals.

⚠ WARNING: Use of this tool can generate and/or disperse dust, which may cause serious and permanent respiratory or other injury. Always use NIOSH/OSHA approved respiratory protection appropriate for the dust exposure. Direct particles away from face and body.

⚠ CAUTION: Wear appropriate hearing protection during use. Under some conditions and duration of use, noise from this product may contribute to hearing loss. The label on your tool may include the following symbols.

V.....volts	Aamperes
Hz.....hertz	W.....watts
minminutes	~ alternating current
====direct current	<i>n</i> ono load speed
☐Class II Construction	⊕earthing terminal
⚠safety alert symbol	.../minrevolutions or reciprocations per minute
mW.....milliwatts	nmwavelength in nanometers
II.....Class II Laser	

SAFETY INSTRUCTIONS - LASERS

⚠ DANGER: Laser Radiation, avoid direct eye exposure, serious eye injury can result.

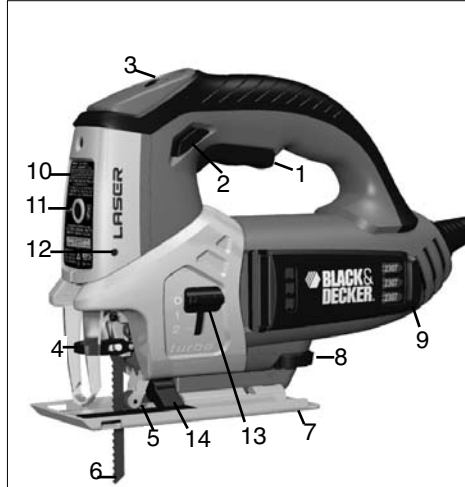
- Do not use optical tools such as a telescope or transit to view the laser beam.
- Position the laser so unintentional eye contact will be avoided.
- Do not operate the laser around children or allow children to operate the laser.
- Do not disassemble. Modifying the product in any way can increase the risk of laser radiation.

⚠ WARNING: Use of controls or adjustments or performance of procedures other than those specified in this manual may result in hazardous laser radiation exposure.

- Do not adjust the laser on the saw unit, when the saw is plugged in.
- Do not operate in explosive atmospheres, such as in the presence of flammable liquids, gases, or dust.
- Use only with the specifically designated batteries in laser. Use of any other batteries may create a risk of fire.
- Store idle product out of reach of children and other untrained persons. Lasers are dangerous in the hands of untrained users.
- Use only accessories that are recommended by the manufacturer for your model. Accessories that may be suitable for one laser, may create a risk of injury when used on another laser.
- Repairs and servicing **MUST** be performed by a qualified repair facility. Repairs performed by unqualified personnel could result in serious injury.
- Do not remove or deface warning labels. Removing labels increases the risk of exposure to radiation.
- For indoor use only.
- This product is intended for use in a temperature range of 41°F(5°C) - 104°F(40°C).

Features - JS650L

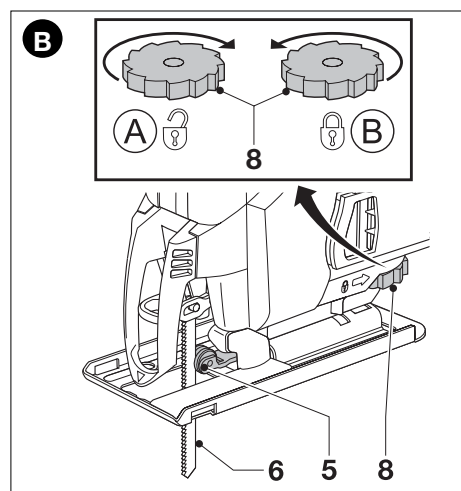
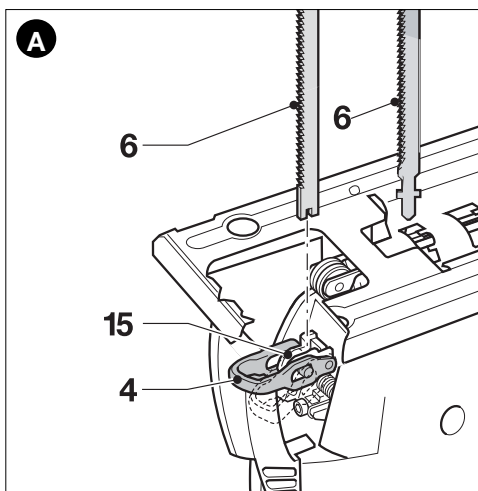
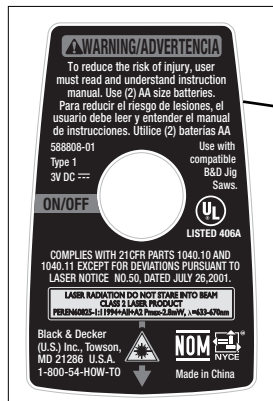
1. Jig Saw On/Off switch
2. Lock-on button
3. Variable Speed control knob
4. Saw blade clamp lever
5. Saw blade support roller
6. Saw blade
7. Shoe plate
8. Shoe plate locking knob
9. Saw blade storage compartment
10. Laser
11. Laser On/Off button
12. Laser adjustment screw
13. Finish Control System orbital selector
14. Dust blower

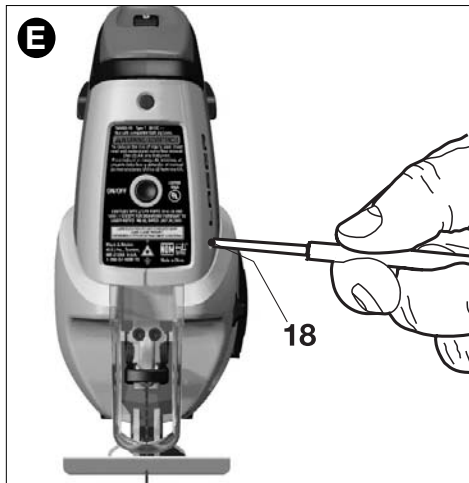
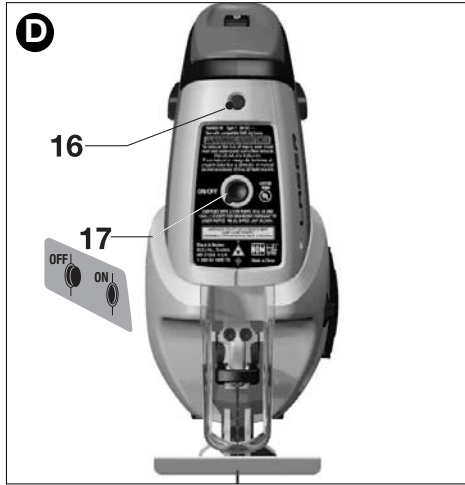
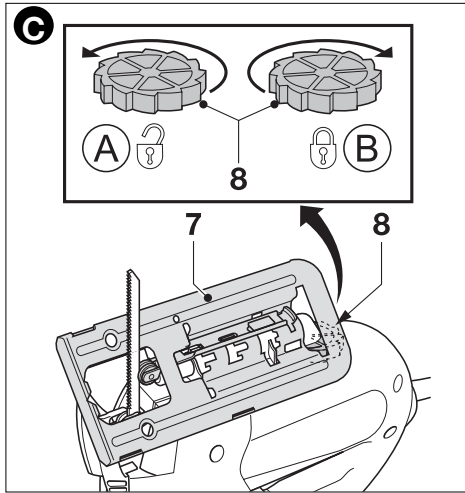


For your convenience and safety, the following labels are on the laser.

Pour plus de commodité et de sécurité, les étiquettes suivantes sont apposées sur le laser.

Para su comodidad y seguridad, el láser incluye las siguientes etiquetas.





Motor

Be sure your power supply agrees with nameplate marking. 120 Volts AC only means your tool will operate on standard 60 Hz household power. Do not operate AC tools on DC. A rating of 120 volts AC/DC means that you tool will operate on standard 60 Hz AC or DC power. This information is printed on the nameplate. Lower voltage will cause loss of power and can result in over-heating. All Black & Decker tools are factory-tested; if this tool does not operate, check the power supply.

SAVE THESE INSTRUCTIONS

ASSEMBLY

⚠ WARNING: Sharp blade. To prevent accidental operation, make sure that the tool is switched off and unplugged and that the saw blade has stopped before performing the following operations. Failure to do this could result in serious personal injury. Used saw blades can be hot.

INSERTING THE SAW BLADE (FIG. A)

- Hold the saw blade (6) as shown, with teeth facing forward.
- Push the lever (4) downwards.
- Insert the shank of the saw blade into the blade holder (15) as far as it will go.
- Release the lever.
- Adjust the blade support roller as described below.

ADJUSTING THE BLADE SUPPORT ROLLER (FIG. B)

- After inserting the blade, you need to adjust the blade support roller (5).
- Turn the locking knob (8) in direction **A**.
 - Slide the blade support roller against the rear of the blade. The blade must locate in the central recess of the roller.
 - Turn the locking knob (8) in direction **B** to lock the shoe plate in place.

OPERATING THE JIG SAW

⚠ WARNING: Laceration Hazard. To prevent loss of control, never use the tool when the saw shoe is loose or removed. Failure to do this could result in serious personal injury.

ADJUSTING THE SHOE PLATE FOR BEVEL CUTS (FIG. C)

- The shoe plate can be set to a left or right bevel angle of up to 45°.
- Turn the locking knob (8) in direction **A** to release the shoe plate (6).
 - Pull the shoe plate (7) backwards and set it to the required angle. You can use the scale or a protractor to check the angle.
 - Turn the locking knob (8) in direction **B** to lock the shoe plate in place.
- To reset the shoe plate for straight cuts:
- Turn the locking knob (8) in direction **A** to release the shoe plate (7).
 - Pull the shoe plate backwards and set it to an angle of approximately 0°.
 - Push the shoe plate forward.
 - Turn the locking knob (8) in direction **B** to lock the shoe plate in place. Make sure that the shoe plate is supported by the guide ribs.

VARIABLE SPEED CONTROL

- Set the variable speed control knob (3) to the required speed range. Use a high speed for wood, medium speed for aluminum and PVC and low speed for metals other than aluminum.

FINISH CONTROL SYSTEM ORBITAL SELECTOR

- For fast and efficient straight cuts in wood, set the selector (13) to the number "2".
- For accurate straight and curve cutting and a smooth surface finish, set the turbo selector (13) to the number "1".
- Set turbo orbital action selector (13) to the number "0" position for non-orbital cutting / metal cutting.

SWITCHING ON AND OFF

- To switch the tool on, press the switch (1). The tool speed depends on the variable speed control knob (3) setting.
- For continuous operation, press the lock-on button (2) and release the switch.

- To switch the tool off, release the switch. To switch the tool off, when in continuous operation, press the switch once more and release it.

OPERATING THE LASER

Your saw is equipped with a laser which is turned on and off separately from the jig saw.

⚠ **WARNING: NEVER aim the beam at a workpiece with a reflective surface.** Bright shiny reflective sheet steel or similar reflective surfaces are not recommended for laser use. Reflective surfaces could direct the beam back toward the operator.

⚠ **DANGER: LASER RADIATION. AVOID DIRECT EYE EXPOSURE. Do not stare into the laser light source. Never aim light at another person or object other than the workpiece.** Laser light can damage your eyes.

⚠ **WARNING: DO NOT use tinted glasses to enhance the laser light.** Tinted glasses will reduce overall vision for the application and interfere with the normal operation of the tool.

INSTALLING THE BATTERIES (FIG. D)

Detach the laser from the jig saw by removing the screw (16) and pulling laser (10) forward. Insert 2 fresh 1.5 volt AAA batteries making sure to match (+) and (-) terminals correctly. Reattach the laser.

⚠ **WARNING: Batteries can explode, or leak, and can cause injury or fire.** To reduce this risk:

- Carefully follow all instructions and warnings on the battery label and package.
- Always insert batteries correctly with regard to polarity (+ and -), marked on the battery and the equipment.
- Do not short battery terminals.
- Do not charge batteries.
- Do not mix old and new batteries. Replace all of them at the same time with new batteries of the same brand and type.
- Remove dead batteries immediately and dispose of per local codes.
- Do not dispose of batteries in fire.
- Keep batteries out of reach of children.

“Transporting batteries can possibly cause fires if the battery terminals inadvertently come in contact with conductive materials such as keys, coins, hand tools and the like. The US Department of Transportation Hazardous Material Regulations (HMR) actually prohibit transporting batteries in commerce or on airplanes (i.e. packed in suitcases and carryon luggage) UNLESS they are properly protected from short circuits. So when transporting individual batteries, make sure that the battery terminals are protected and well insulated from materials that could contact them and cause a short circuit.”

SWITCHING THE LASER ON AND OFF (FIG. D)

To turn the laser on, press in on the on/off button (17). To turn the laser off, press the button a second time. The laser button is “on” when subflush to the housing, and “off” when the laser button is flush.

ADJUSTING THE LASER SIDE TO SIDE (FIG. E)

NOTE: Laser is intended to be a cutting aid and does not guarantee a precise cut.

Use laser adjustment screw (18) to align laser line with saw blade if needed.

⚠ **WARNING: Laceration Hazard: DO NOT adjust the laser when the jig saw is plugged in.**

⚠ **WARNING:** Laser circuit will reduce output visibility (power) of laser when overheated. Laser may be not visible when saw is overloaded for prolonged period of time. Laser visibility (power) will gradually return back to normal when tool cools down even if the tool is unplugged.

⚠ **WARNING:** Do not leave overheated laser ON unattended. Make sure the switch is in the OFF position as shown in the inset of **figure D**. Remove the batteries to cut power to the laser.

Hints for Optimum Use

GENERAL

- Use a high speed for wood, a medium speed for aluminum and PVC and a low speed for metals other than aluminum.

SAWING LAMINATES

As the saw blade cuts on the upward stroke, splintering may occur on the surface closest to the shoe plate.

- Use a fine-tooth saw blade.
- Saw from the back surface of the workpiece.
- To minimize splintering, clamp a piece of scrap wood or hardboard to both sides of the workpiece and saw through this sandwich.

SAWING METAL

- Be aware that sawing metal takes much more time than sawing wood.
- Use a saw blade suitable for sawing metal.
- When cutting thin metal, clamp a piece of scrap wood to the back surface of the workpiece and cut through this sandwich.
- Spread a film of oil along the intended line of cut.

TROUBLESHOOTING**Problem**

- Unit will not start.

Possible Cause

- Cord not plugged in.
- Circuit fuse is blown.
- Circuit breaker is tripped.
- Cord or switch is damaged.

Possible Solution

- Plug tool into a working outlet.
- Replace circuit fuse.
(If the product repeatedly causes the circuit fuse to blow, discontinue use immediately and have it serviced at a Black & Decker service center or authorized servicer.)
- Reset circuit breaker.
(If the product repeatedly causes the circuit breaker to trip, discontinue use immediately and have it serviced at a Black & Decker service center or authorized servicer.)
- Have cord or switch replaced at Black & Decker Service Center or Authorized Servicer

For assistance with your product, visit our website www.blackanddecker.com for the location of the service center nearest you or call the BLACK & DECKER help line at **1-800-544-6986**.

MAINTENANCE

Use only mild soap and damp cloth to clean the tool. Never let any liquid get inside the tool; never immerse any part of the tool into a liquid.

IMPORTANT: To assure product SAFETY and RELIABILITY, repairs, maintenance and adjustment (other than those listed in this manual) should be performed by authorized service centers or other qualified service personnel, always using identical replacement parts.

ACCESSORIES

Recommended accessories for use with your tool are available from your local dealer or authorized service center. If you need assistance regarding accessories, please call:

1-800-544-6986.

⚠ **WARNING:** The use of any accessory not recommended for use with this tool could be hazardous.

SERVICE INFORMATION

All Black & Decker Service Centers are staffed with trained personnel to provide customers with efficient and reliable power tool service. Whether you need technical advice, repair, or genuine factory replacement parts, contact the Black & Decker location nearest you. To find your local service location, refer to the yellow page directory under "Tools—Electric" or call: **1-800-544-6986** or visit **www.blackanddecker.com**

FULL TWO-YEAR HOME USE WARRANTY

Black & Decker (U.S.) Inc. warrants this product for two years against any defects in material or workmanship. The defective product will be replaced or repaired at no charge in either of two ways.

The first, which will result in exchanges only, is to return the product to the retailer from whom it was purchased (provided that the store is a participating retailer). Returns should be made within the time period of the retailer's policy for exchanges (usually 30 to 90 days after the sale). Proof of purchase may be required. Please check with the retailer for their specific return policy regarding returns that are beyond the time set for exchanges.

The second option is to take or send the product (prepaid) to a Black & Decker owned or authorized Service Center for repair or replacement at our option. Proof of purchase may be required. Black & Decker owned and authorized Service Centers are listed under "Tools-Electric" in the yellow pages of the phone directory and on our website www.blackanddecker.com.

This warranty does not apply to accessories. This warranty gives you specific legal rights and you may have other rights which vary from state to state. Should you have any questions, contact the manager of your nearest Black & Decker Service Center. This product is not intended for commercial use.

FREE WARNING LABEL REPLACEMENT: If your warning labels become illegible or are missing, call 1-800-544-6986 for a free replacement.

Imported by
Black & Decker (U.S.) Inc.,
701 E. Joppa Rd.
Towson, MD 21286 U.S.A.



See 'Tools-Electric'
- Yellow Pages -
for Service & Sales



TECHNICAL SPECIFICATIONS OF LASER:

Laser diode wavelength:	633-670nm (red color)
Laser Class:	Class II
Working Range:	Up to 6 inches (152mm) line span (depends on light conditions)
Batteries:	2 AAA alkaline (included)
Voltage:	3 Volts
Operating temperature:	41°F (5°C) - 104° F (40°C)

 **BLACK & DECKER®**

*Scie sauteuse à fonctionnement orbital
avec laser*

MODE D'EMPLOI

N° de catalogue
JS650L



MERCI D'AVOIR CHOISI BLACK & DECKER !
VISITEZ WWW.BLACKANDDECKER.COM/NEWOWNER
POUR ENREGISTRER VOTRE NOUVEAU PRODUIT.

**AVANT DE RETOURNER CE PRODUIT POUR
QUELQUE RAISON QUE CE SOIT, COMPOSER LE
1-800-544-6986**

AVANT D'APPELER, AYEZ EN MAIN LE N° DE CATALOGUE ET LE CODE DE DATE. DANS LA PLUPART
DES CAS, UN REPRÉSENTANT DE BLACK & DECKER PEUT RÉSOUDRE LE PROBLÈME PAR
TÉLÉPHONE. SI VOUS AVEZ UNE SUGGESTION OU UN COMMENTAIRE, APPELEZ-NOUS. VOS
IMPRESSIONS SONT CRUCIALES POUR BLACK & DECKER.

CONSERVER CE MANUEL POUR UN USAGE ULTÉRIEUR.

RÈGLES DE SÉCURITÉ GÉNÉRALES

⚠ AVERTISSEMENT! Lire toutes les directives. Tout manquement aux directives suivantes pose des risques de choc électrique, d'incendie et/ou de blessure grave. Le terme « outil électrique » dans tous les avertissements ci-après se rapporte à votre outil électrique à alimentation sur secteur (avec fil) ou par piles (sans fil).

⚠ AVERTISSEMENT : Afin de réduire le risque de blessures, l'utilisateur doit lire le mode d'emploi.

CONSERVER CES DIRECTIVES

1) SÉCURITÉ DU LIEU DE TRAVAIL

- Tenir la zone de travail propre et bien éclairée.** Les endroits sombres sont souvent des causes d'accidents.
- Ne pas faire fonctionner d'outils électriques dans un milieu déflagrant, soit en présence de liquides inflammables, de gaz ou de poussière.** Les outils électriques produisent des étincelles qui peuvent enflammer la poussière ou les vapeurs.
- Éloigner les enfants et les curieux au moment d'utiliser un outil électrique.** Une distraction pourrait vous en faire perdre la maîtrise.

2) SÉCURITÉ EN MATIÈRE D'ÉLECTRICITÉ

- Les fiches des outils électriques doivent correspondre à la prise. Ne jamais modifier la fiche en aucune façon.** Ne jamais utiliser de fiche d'adaptation avec un outil électrique mis à la terre. Le risque de choc électrique sera réduit par l'utilisation de fiches non modifiées correspondant à la prise.
- Éviter tout contact physique avec des surfaces mises à la terre comme des tuyaux, des radiateurs, des cuisinières et des réfrigérateurs.** Le risque de choc électrique est plus élevé si votre corps est mis à la terre.
- Ne pas exposer les outils électriques à la pluie ou à d'autres conditions où il pourrait être mouillé.** La pénétration de l'eau dans un outil électrique augmente le risque de choc électrique.
- Ne pas utiliser abusivement le cordon d'alimentation. Ne jamais utiliser le cordon pour transporter, tirer ou débrancher un outil électrique. Tenir le cordon éloigné de la chaleur, de l'huile, des bords tranchants ou des pièces mobiles.** Les cordons endommagés ou emmêlés augmentent les risques de choc électrique. Remplacer ou réparer les cordons endommagés. S'assurer que la rallonge est en bon état. Utiliser uniquement une rallonge à 3 fils pourvue d'une fiche de mise à la terre à 3 lames et une prise à 3 fentes correspondant à la fiche.
- Pour l'utilisation d'un outil électrique à l'extérieur, se servir d'une rallonge convenant à une telle utilisation.** L'utilisation d'une rallonge conçue pour l'extérieur réduit les risques de choc électrique. Lorsque qu'une rallonge électrique est utilisée, s'assurer d'en utiliser une de calibre suffisamment élevé pour assurer le transport du courant nécessaire au fonctionnement de votre appareil. Un cordon de calibre inférieur causera une chute de tension de ligne et donc une perte de puissance et une surchauffe. Le tableau suivant indique le calibre approprié à utiliser selon la longueur du cordon et l'intensité nominale de la plaque signalétique. En cas de doute, utiliser le calibre suivant le plus gros. Plus le numéro de calibre est petit, plus le cordon est lourd.

Calibre minimum pour les rallonges					
Volts	Longueur totale du cordon en pieds				
120 V	0-25	26-50	51-100	101-150	
240 V	0-50	51-100	101-200	201-300	
Intensité nominale					
Plus de	Pas plus de	Calibrage américain normalisé des fils (AWG)			
0	- 6	18	16	16	14
6	- 10	18	16	14	12
10	- 12	16	16	14	12
12	- 16	14	12	Non recommandé	

3) SÉCURITÉ PERSONNELLE

- a) **Être vigilant, surveiller le travail effectué et faire preuve de jugement lorsqu'un outil électrique est utilisé. Ne pas utiliser d'outil électrique en cas de fatigue ou sous l'influence de drogues, d'alcool ou de médicaments.** Un moment d'inattention, durant l'utilisation d'un outil électrique, peut se solder par des blessures graves.
- b) **Utiliser un équipement de sécurité. Toujours porter une protection oculaire.** L'utilisation d'un équipement de sécurité comme un masque anti-poussières, des chaussures antidérapantes, un casque de sécurité ou des protecteurs auditifs lorsque la situation le requiert réduira les risques de blessures corporelles.
- c) **Attention de ne pas mettre en marche l'outil accidentellement. S'assurer que l'interrupteur est en position d'arrêt avant tout branchement.** Transporter un outil électrique alors que le doigt est sur l'interrupteur ou brancher un outil électrique alors que l'interrupteur est en position de marche risque de causer un accident.
- d) **Retirer toute clé de réglage ou clé standard avant de démarrer l'outil.** Une clé standard ou une clé de réglage attachée à une partie pivotante peut causer des blessures.
- e) **Ne pas trop tendre les bras. Conserver son équilibre en tout temps.** Cela permet de mieux maîtriser l'outil électrique dans les situations imprévues.
- f) **S'habiller de manière appropriée. Ne pas porter de vêtements amples ni de bijoux. Maintenir cheveux, vêtements et gants éloignés des pièces mobiles.** Les vêtements amples, bijoux ou cheveux longs pourraient s'enchevêtrer dans les pièces mobiles. Se tenir éloigné des événements puisque ces derniers pourraient camoufler des pièces mobiles.
- g) **Si des composants sont fournis pour le raccordement de dispositifs de dépeussierage et de ramassage, s'assurer que ceux-ci sont bien raccordés et utilisés.** L'utilisation de ces dispositifs peut réduire les risques engendrés par les poussières.

4) UTILISATION ET ENTRETIEN D'UN OUTIL ÉLECTRIQUE

- a) **Ne pas forcer un outil électrique. Utiliser l'outil électrique approprié à l'application.** L'outil électrique approprié effectuera un meilleur travail, de façon plus sûre et à la vitesse pour laquelle il a été conçu.
- b) **Ne pas utiliser un outil électrique dont l'interrupteur est défectueux.** Tout outil électrique dont l'interrupteur est défectueux est dangereux et doit être réparé.
- c) **Débrancher la fiche du secteur ou le bloc-piles de l'outil électrique avant de faire tout réglage ou changement d'accessoire, ou avant de ranger l'outil électrique.** Ces mesures préventives réduisent les risques de démarrage accidentel de l'outil électrique.
- d) **Ranger les outils électriques hors de la portée des enfants, et ne permettre à aucune personne n'étant pas familière avec un outil électrique (ou son manuel d'instruction) d'utiliser ce dernier.** Les outils électriques deviennent dangereux entre les mains d'utilisateurs inexpérimentés.
- e) **Entretien des outils électriques. Vérifier les pièces mobiles pour s'assurer qu'elles sont bien alignées et tournent librement, qu'elles sont en bon état et ne sont affectées par aucun trouble susceptible de nuire au bon fonctionnement de l'outil électrique.** En cas de dommage, faire réparer l'outil électrique avant toute nouvelle utilisation. Beaucoup d'accidents sont causés par des outils électriques mal entretenus.
- f) **S'assurer que les outils de coupe sont aiguisés et propres.** Les outils de coupe bien entretenus et affûtés sont moins susceptibles de se coincer et sont plus faciles à contrôler.
- g) **Utiliser l'outil électrique, les accessoires, les mèches, etc., conformément aux présentes directives et suivant la manière prévue pour ce type particulier d'outil électrique, en tenant compte des conditions de travail et du travail à effectuer.** L'utilisation d'un outil électrique pour toute opération autre que celle pour laquelle il a été conçu est dangereuse.

5) RÉPARATION

- a) **Faire réparer l'outil électrique par un réparateur professionnel en n'utilisant que des pièces de rechange identiques.** Cela permettra de maintenir une utilisation sécuritaire de l'outil électrique.
- b) **S'il faut remplacer le cordon d'alimentation,** ceci doit être fait par le fabricant ou son agent pour éviter tout risque d'accident.

Règles de sécurité spécifiques

- a) **Tenir l'outil par sa surface de prise isolée dans une situation où l'outil de coupe peut entrer en contact avec un câblage dissimulé ou avec son propre cordon d'alimentation.** Tout contact avec un fil « sous tension » mettra « sous tension » les pièces métalliques de l'outil et électrocutera l'opérateur de l'outil.
- b) **Tenir les mains éloignées de la zone de découpe.** Ne jamais mettre la main sous le matériau pour quelque raison que ce soit. Tenir la partie avant de la scie par sa zone de prise profilée. Ne pas mettre les doigts ou le pouce à proximité de la scie alternative et du mécanisme de serrage de la lame. Ne pas stabiliser la scie en saisissant la semelle.
- c) **Utiliser des brides de fixation ou un autre dispositif de fixation permettant de soutenir et de retenir la pièce sur une plate-forme stable.** Tenir la pièce avec la main ou contre son corps est instable et risque d'entraîner une perte de maîtrise de l'outil.
- d) **Maintenir les lames affûtées.** Les lames émoussées peuvent faire zigzaguer la scie ou la bloquer sous la pression.
- e) **Au moment de couper un tuyau ou un conduit, s'assurer qu'ils sont exempts d'eau, de câblage électrique, etc.**

⚠ AVERTISSEMENT : Certains outils électriques, tels que les sableuses, les scies, les meules, les perceuses ou certains autres outils de construction, peuvent produire de la poussière contenant des produits chimiques susceptibles d'entraîner le cancer, des malformations congénitales ou pouvant être nocifs pour le système reproductif. Parmi ces produits chimiques, on retrouve :

- le plomb dans les peintures à base de plomb,
- la silice cristalline dans les briques et le ciment et autres produits de maçonnerie,
- l'arsenic et le chrome dans le bois de sciage ayant subi un traitement chimique (comme l'arséniate de cuivre et de chrome).

Le risque associé à de telles expositions varie selon la fréquence avec laquelle on effectue ces travaux. Pour réduire l'exposition à de tels produits, il faut travailler dans un endroit bien aéré et utiliser le matériel de sécurité approprié, tel un masque anti-pous sières spécialement conçu pour filtrer les particules microscopiques.

- **Éviter tout contact prolongé avec la poussière soulevée par cet outil ou autres outils électriques. Porter des vêtements de protection et nettoyer les parties exposées du corps à l'eau savonneuse.** S'assurer de bien se protéger afin d'éviter d'absorber par la bouche, les yeux ou la peau des produits chimiques nocifs.

⚠ AVERTISSEMENT : Cet outil peut produire et répandre de la poussière susceptible de causer des dommages sérieux et permanents au système respiratoire. Toujours utiliser un appareil respiratoire anti-poussières approuvé par le NIOSH ou l'OSHA. Diriger les particules dans le sens opposé du visage et du corps.

⚠ MISE EN GARDE : Porter un dispositif approprié de protection de l'ouïe lors de l'utilisation du produit. Dans certaines conditions et durées d'utilisation, le produit peut émettre un niveau de bruit provoquant la perte de l'ouïe.

L'étiquette de l'outil peut comporter les symboles suivants.

V	volts	A	ampères
Hz	hertz	W	watts
min	minutes	~	courant alternatif
====	courant continu	n°	sous vide
☐	Construction de classe II	⊕	borne de mise à la minute
⚠	symbole d'avertissement	.../min	tours à la minute
mW	milliwatts	nm	longueur d'onde en nanomètre
II	Laser classe II		

DIRECTIVES DE SÉCURITÉ POUR LASERS

⚠ DANGER : rayonnement laser; éviter tout contact direct avec les yeux, des blessures graves aux yeux peuvent en résulter.

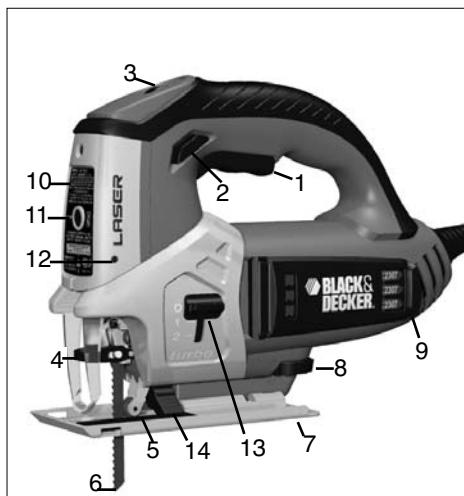
- Ne pas utiliser d'instruments optiques comme un télescope ou un théodolite pour observer le faisceau laser.
- Positionner le laser de telle sorte à éviter tout contact accidentel avec les yeux.
- Ne pas utiliser le laser près des enfants et ne pas laisser les enfants utiliser le laser.
- Ne pas démonter l'appareil. Toute modification du produit peut accroître le risque de rayonnement laser.

⚠ AVERTISSEMENT : l'utilisation de commandes ou de réglages ou l'exécution de procédures autres que celles précisées dans la présente peut entraîner une exposition dangereuse au rayonnement laser.

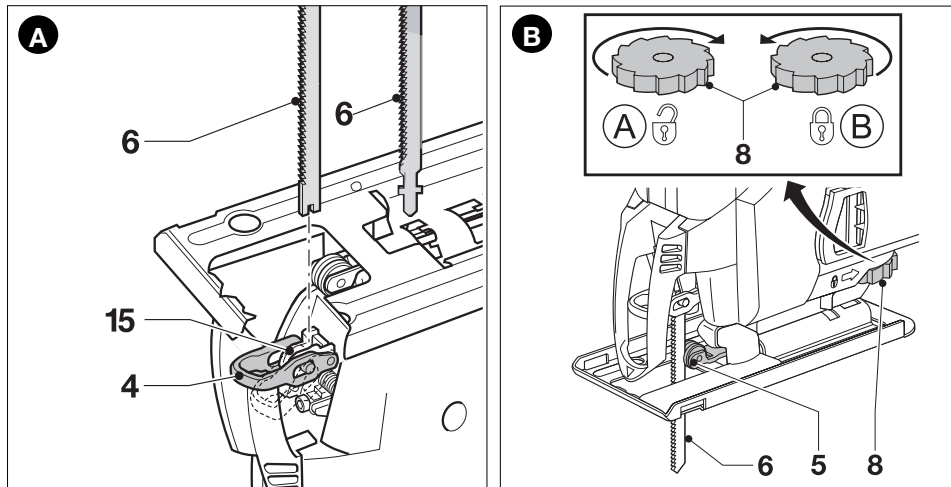
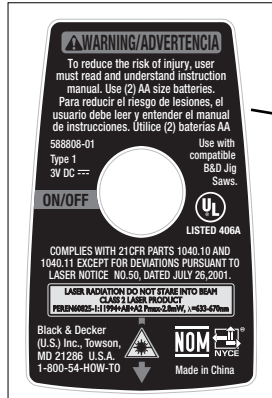
- Ne pas ajuster le laser sur l'unité de sciage lorsque la scie est branchée.
- Ne pas faire fonctionner l'outil dans un environnement explosif, soit en présence de liquides inflammables, de gaz ou de poussière.
- Utiliser uniquement l'outil avec les piles spécifiquement conçues pour le laser. L'utilisation de toute autre pile peut provoquer un incendie.
- Ranger le produit inutilisé hors de la portée des enfants et des personnes sans expérience. Les lasers sont des appareils dangereux lorsqu'ils sont entre les mains d'utilisateurs inexpérimentés.
- N'utiliser que les accessoires conseillés par le fabricant pour le modèle de votre outil. Les accessoires adaptés à un laser donné peuvent être dangereux lorsqu'ils sont utilisés avec un autre laser.
- Les réparations et l'entretien de l'outil DOIVENT uniquement être effectués par un établissement de réparation professionnel. Toute réparation réalisée par du personnel non qualifié pourrait entraîner des blessures graves.
- Ne pas enlever ni altérer les étiquettes de mises en garde. Enlever les étiquettes accroît le risque d'exposition au rayonnement.
- Pour un usage intérieur seulement.
- Ce produit est conçu pour une utilisation dans une plage de températures variant de 5° C (41° F) à 40° C (104° F).

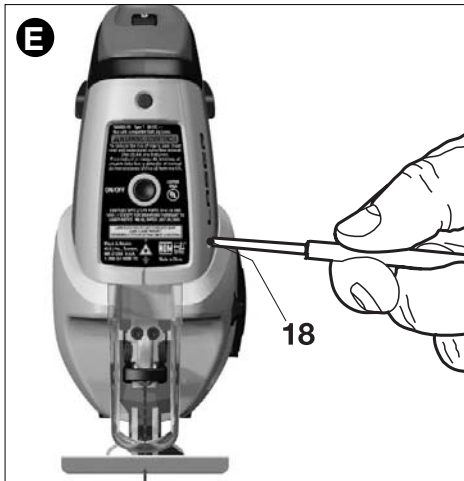
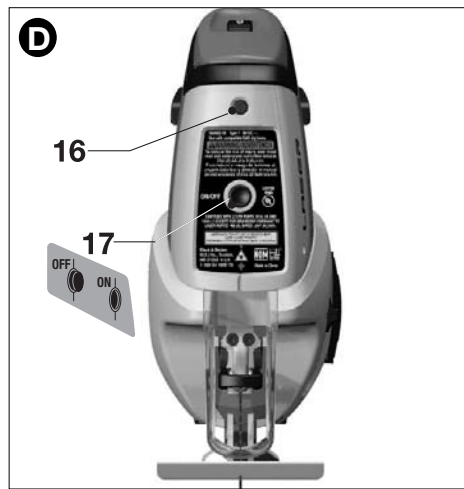
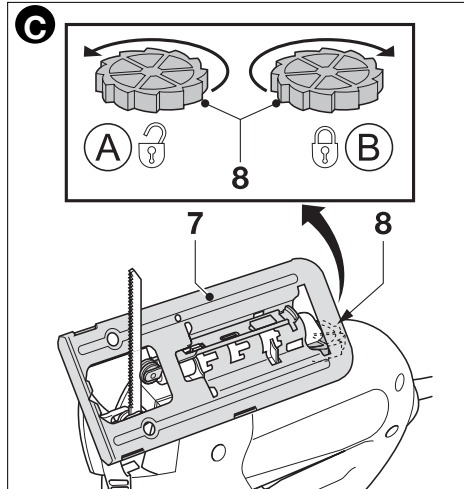
Caractéristiques du modèle JS650L

1. Interrupteur marche/arrêt de la scie sauteuse
2. Bouton de verrouillage
3. Molette de contrôle de vitesses variables
4. Levier de serrage de la lame de la scie
5. Roulette d'appui de la lame de la scie
6. Lame de scie
7. Plaque de la semelle
8. Molette de blocage de la plaque de la semelle
9. Compartiment de rangement pour lames
10. Laser
11. Bouton Marche/Arrêt du laser
12. Vis de réglage du laser
13. Sélecteur du système de contrôle du fini à mouvement orbital
14. Dépoussiéreur



Pour plus de commodité et de sécurité, les étiquettes suivantes sont apposées sur le laser.





Moteur

S'assurer que le bloc d'alimentation est compatible avec l'inscription de la plaque signalétique. L'inscription 120 volts c.a. seulement indique que l'outil fonctionnera sur une alimentation domestique standard de 60 Hz. Ne pas faire fonctionner des outils à courant alternatif (c.a.) sur un courant continu (c.c.). Un régime nominal de 120 volts c.a./c.c. signifie que l'outil fonctionnera avec une alimentation standard 60 Hz c.a. ou c.c. Ce renseignement figure sur la plaque signalétique. Une plus faible tension entraînera une baisse de régime, ce qui peut entraîner une surchauffe. Tous les outils Black & Decker sont testés en usine; si cet outil ne fonctionne pas, vérifier le bloc d'alimentation.

CONSERVER CES DIRECTIVES

ASSEMBLAGE

⚠ AVERTISSEMENT : lame tranchante. Pour empêcher tout démarrage inopiné, éteindre l'outil et le débrancher. S'assurer que la lame soit immobile avant d'effectuer les opérations suivantes. Négliger d'agir ainsi risque de causer des blessures corporelles graves. Les lames de scies utilisées peuvent être chaudes.

INSERTION DE LA LAME DE SCIE (FIG. A)

- Tenir la lame de scie (6) comme indiqué avec les dents vers l'avant de l'outil.
- Abaisser le levier de serrage (4).
- Insérer l'emmanchement de la lame dans le porte-lame (15) aussi loin que possible.
- Relâcher le levier.
- Ajuster la roulette d'appui de la lame comme suit.

AJUSTEMENT DE LA ROULETTE D'APPUI DE LA LAME (FIG. B)

Une fois la lame insérée, effectuer l'ajustement de la roulette d'appui de la lame (5).

- Tourner la molette de blocage (8) dans la direction **A**.
- Coulisser la roulette d'appui contre l'arrière de la lame. Celle-ci doit se loger dans la rainure-guide centrale de la roulette.
- Tourner la molette de blocage (8) dans la direction **B** pour verrouiller la plaque de la semelle en position.

UTILISATION DE LA SCIE SAUTEUSE

⚠ AVERTISSEMENT : risque de lacération. Anticiper une perte de contrôle, ne jamais utiliser la scie sans la semelle ou avec une semelle lâche.

L'inobservation de ces mesures risque d'entraîner des blessures corporelles graves.

RÉGLAGE DE LA PLAQUE DE LA SEMELLE POUR DES COUPES BISEAUTÉES (FIG. C)

La plaque de la semelle s'incline à gauche ou à droite pour une coupe en biseau jusqu'à 45°.

- Tourner la molette de blocage (8) dans la direction **A** pour dégager la plaque de la semelle (6).
- Coulisser la plaque de la semelle (7) vers l'arrière et la régler à l'angle recherché. Le cas échéant, utiliser une échelle ou un rapporteur d'angle pour vérifier l'angle obtenu.
- Tourner la molette de blocage (8) dans la direction **B** pour verrouiller la plaque de la semelle en position.

Pour régler la plaque de la semelle pour des coupes droites :

- Tourner la molette de blocage (8) dans la direction **A** pour dégager la plaque de la semelle (7).
- Coulisser la plaque de la semelle vers l'arrière et la régler à un angle d'environ zéro.
- Coulisser la plaque vers l'avant.
- Tourner la molette de blocage (8) dans la direction **B** pour verrouiller la plaque de la semelle en position. S'assurer que la plaque de la semelle soit appuyée sur les filets de positionnement.

COMMANDE DE LA VITESSE VARIABLE

- Régler la molette de contrôle de la vitesse variable (3) à la vitesse exigée. Utiliser une vitesse élevée pour le bois, une vitesse moyenne pour l'aluminium et le plastique PVC et la vitesse lente pour les métaux autres que l'aluminium.

SÉLECTEUR DU SYSTÈME DE CONTRÔLE DU FINI À MOUVEMENT ORBITAL

- Pour des coupes droites rapides et efficaces dans le bois, régler le sélecteur (13) à « 2 ».
- Pour des coupes droites et incurvées précises et une surface à fini lisse, régler le sélecteur turbo (13) à « 1 ».
- Régler le sélecteur de mouvement orbital turbo (13) à « 0 » pour une coupe sans mouvement orbital ou pour la coupe de métaux.

MISE EN MARCHÉ ET ARRÊT

- Pour mettre la scie en marche, appuyer sur l'interrupteur (1). Le régime de l'outil est lié au réglage de la molette de contrôle de vitesse variable (3).
- Pour un fonctionnement continu, appuyer sur le bouton de verrouillage (2) et relâcher l'interrupteur marche/arrêt.
- Pour éteindre l'outil, relâcher l'interrupteur. Pour mettre l'outil hors tension en mode de fonctionnement continu, appuyer sur l'interrupteur marche/arrêt une fois puis le relâcher.

UTILISATION DU LASER

Votre scie est dotée d'un laser qui s'allume et s'éteint indépendamment de la scie sauteuse.

⚠ AVERTISSEMENT : NE JAMAIS diriger le faisceau sur une pièce comportant une surface réfléchissante. B Les feuilles d'acier brillant et réfléchissant et les autres

surfaces réfléchissantes similaires ne sont pas recommandées pour une utilisation avec le laser. Les surfaces réfléchissantes peuvent rediriger le faisceau vers l'opérateur.

⚠ DANGER : RAYONNEMENT LASER. ÉVITER TOUT CONTACT DIRECT AVEC LES YEUX. Ne pas regarder vers la source de lumière du laser. Ne jamais diriger la lumière vers une autre personne ou vers tout autre objet que votre ouvrage. La lumière du laser peut endommager les yeux.

⚠ AVERTISSEMENT : NE PAS UTILISER de verres teintés pour augmenter la lumière du laser. Les verres teintés réduisent la vision globale de l'application et interfèrent avec le fonctionnement normal de l'outil.

INSERTION DES PILES (FIG. D)

Détacher le laser de la scie sauteuse en retirant la vis (16) puis tirer le laser (10) vers l'avant. Insérer deux nouvelles piles alcalines AAA de 1,5 volts et s'assurer de bien faire correspondre les bornes (+) et (-). Fixer de nouveau le laser.

⚠ AVERTISSEMENT : les piles peuvent exploser ou couler et provoquer des blessures ou un incendie. Pour réduire ce risque :

- Suivre attentivement toutes les directives et avertissements figurant sur l'étiquette des piles et de l'emballage de l'appareil.
- Toujours insérer les piles selon la polarité correcte (+ et -), comme indiqué sur les piles et le matériel.
- Ne pas créer de court-circuit dans les bornes des piles.
- Ne pas charger les piles.
- Ne pas mélanger piles neuves et usagées. Les remplacer toutes en même temps par des piles neuves de la même marque et du même type.
- Retirer immédiatement les piles déchargées et les éliminer en fonction de la réglementation locale en vigueur.
- Ne pas jeter les piles dans un feu.
- Garder les piles hors de la portée des enfants.
- Retirer les piles si l'appareil n'est pas utilisé pendant plusieurs mois.

Le transport des piles peut causer un incendie si les bornes des piles entrent en contact involontairement avec des matières conductrices comme des clés, de la monnaie, des outils manuels et d'autres éléments semblables. La Hazardous Material Regulation du département américain des transports interdit en fait le transport des piles pour le commerce ou dans les avions (par ex. : piles emballées dans des valises et des bagages à main) À MOINS qu'elles soient bien protégées contre les courts-circuits. Pour le transport de piles individuelles, s'assurer que les bornes sont protégées et bien isolées contre toute matière pouvant entrer en contact avec elles et causer un court-circuit.

MISE EN MARCHÉ/ARRÊT DU LASER (FIG. D)

Pour actionner le faisceau laser, enfoncer le bouton marche/arrêt (17) et pour l'éteindre, l'enfoncer une seconde fois. Le bouton de mise sous tension du faisceau laser est actionné lorsqu'il est enfoncé sous la surface du boîtier de l'outil et, hors tension, lorsqu'il est à niveau avec le boîtier.

RÉGLAGE DU LASER POUR ACTION LATÉRALE (FIG. E)

REMARQUE : le laser est prévu pour fonctionner en tant qu'aide à la découpe et ne garantit pas une coupe précise. Le cas échéant, utiliser la vis de réglage du laser (18) pour aligner le faisceau avec la lame de la scie.

⚠ AVERTISSEMENT : risque de lacération. DÉBRANCHER LA SCIE SAUTEUSE AVANT D'EFFECTUER TOUT TYPE DE RÉGLAGE DU LASER.

⚠ AVERTISSEMENT : le circuit du laser diminuera la partie visible du faisceau (puissance) du laser lors d'une surchauffe. Le laser peut devenir invisible si la scie est surchargée pour une période de temps prolongée. Le faisceau visible du laser (puissance) reviendra graduellement à la normale avec le refroidissement des outils même si ceux-ci sont débranchés.

⚠ AVERTISSEMENT : ne pas laisser un laser surchauffé à la position MARCHÉ sans surveillance. S'assurer que l'interrupteur soit en position d'ARRÊT comme indiqué par l'encart de la **figure D**. Retirer les piles pour couper le courant du faisceau laser.

Conseils pour une utilisation optimale

CONSEILS GÉNÉRAUX

- Utiliser une vitesse élevée pour le bois, une vitesse moyenne pour l'aluminium et le plastique PVC et la vitesse lente pour les métaux autres que l'aluminium.

COUPE DE BOIS LAMELLÉ

La lame de la scie coupe lors de sa remonté. Il est possible d'observer des éclats sur la surface la plus près de la plaque de la semelle.

- Utiliser une lame de scie à dents fines.
- Mettre la pièce à l'envers pour la scier.
- Pour réduire les éclats de bois, fixer une pièce de chute de bois ou de panneau pressé des deux côtés de la pièce et couper toutes ces épaisseurs.

COUPE DU MÉTAL

- La coupe de métaux prend beaucoup plus de temps que la coupe de bois.
- Utiliser une lame compatible à la coupe de métaux.
- Lors du sciage de pièces métalliques minces, fixer une pièce de chute de bois au dos de la surface de la pièce et couper toutes les épaisseurs.
- Étaler une fine couche d'huile sur la ligne de coupe prévue.

DÉPANNAGE

Problème

- L'appareil refuse de démarrer.

Cause possible

- Cordon d'alimentation non branché.
- Le fusible du circuit est grillé.
- Le disjoncteur est déclenché.
- Le cordon d'alimentation ou l'interrupteur est endommagé.

Solution possible

- Brancher l'outil dans une prise qui fonctionne.
- Remplacer le fusible du circuit. (Si le produit fait griller de façon répétée le fusible du circuit, arrêter immédiatement l'utilisation du produit et le faire réparer dans un centre de réparation Black & Decker ou un centre de réparation autorisé.)
- Remettre le disjoncteur à zéro. (Si le produit fait déclencher de façon répétée le disjoncteur, arrêter immédiatement l'utilisation du produit et le faire réparer dans un centre de réparation Black & Decker ou un centre de réparation autorisé.)
- Faire remplacer le cordon ou l'interrupteur au centre de réparation Black & Decker ou à un centre de réparation autorisé.

Pour obtenir de l'aide avec l'outil, consulter notre site Web www.blackanddecker.com pour l'emplacement du centre de réparation le plus près ou communiquer avec l'assistance **BLACK & DECKER** au **1-800-544-6986**.

ENTRETIEN

N'utiliser qu'un détergent doux et un chiffon humide pour nettoyer l'outil. Ne jamais laisser de liquide pénétrer dans l'outil et n'immerger aucune partie de l'outil dans un liquide.

IMPORTANT : pour garantir la SÉCURITÉ et la FIABILITÉ du produit, les réparations, l'entretien et le réglage (autre que ceux énumérés dans ce mode d'emploi) doivent être

réalisés par un centre de réparation autorisé ou tout autre centre de réparation professionnel, et les des pièces de rechange identiques doivent être utilisées.

Accessoires

Les accessoires recommandés pouvant être utilisés avec l'outil sont disponibles auprès de votre distributeur local ou centre de réparation autorisé. Pour tout renseignement concernant les accessoires, composer le : **1-800-544-6986** **⚠ MISE EN GARDE :** l'utilisation de tout autre accessoire ou pièce non recommandé(e) avec cet outil pourrait s'avérer dangereuse.

INFORMATION SUR LES RÉPARATIONS

Tous les centres de réparation Black & Decker sont dotés de personnel qualifié en matière d'outillage électrique; ils sont donc en mesure d'offrir à leur clientèle un service efficace et fiable. Que ce soit pour un avis technique, une réparation ou des pièces de rechange authentiques installées en usine, communiquer avec l'établissement Black & Decker le plus près de chez vous. Pour trouver l'établissement de réparation de votre région, consulter le répertoire des Pages jaunes à la rubrique « Outils électriques » ou composer le numéro suivant : **1-800-544-6986** ou consulter le site **www.blackanddecker.com**

GARANTIE COMPLÈTE DE DEUX ANS POUR UNE UTILISATION DOMESTIQUE

Black & Decker (É.-U.) Inc. garantit ce produit pour une durée de deux ans contre tout défaut de matériau ou de fabrication. Le produit défectueux sera remplacé ou réparé sans frais de l'une des deux façons suivantes :

La première façon consiste en un simple échange chez le détaillant qui l'a vendu (pourvu qu'il s'agisse d'un détaillant participant). Tout retour doit se faire durant la période correspondant à la politique d'échange du détaillant (habituellement, de 30 à 90 jours après l'achat). Une preuve d'achat peut être requise. Vérifier auprès du détaillant pour connaître sa politique concernant les retours hors de la période définie pour les échanges.

La deuxième option est d'apporter ou d'envoyer le produit (transport payé d'avance) à un centre de réparation autorisé ou à un centre de réparation de Black & Decker pour faire réparer ou échanger le produit, à notre discrétion. Une preuve d'achat peut être requise. Les centres Black & Decker et les centres de service autorisés sont répertoriés dans les pages jaunes, sous la rubrique « Outils électriques ».

Cette garantie ne s'applique pas aux accessoires. Cette garantie vous accorde des droits légaux spécifiques et vous pourriez avoir d'autres droits qui varient d'un État ou d'une province à l'autre. Pour toute question, communiquer avec le directeur du centre de réparation Black & Decker le plus près de chez vous. Ce produit n'est pas destiné à un usage commercial.

REPLACEMENT GRATUIT DES ÉTIQUETTES D'AVERTISSEMENT : si les étiquettes d'avertissement deviennent illisibles ou sont manquantes, composer le **1-800-544-6986** pour en obtenir le remplacement gratuit.

Imported by / Importé par
Black & Decker Canada Inc.
100 Central Ave.
Brockville (Ontario) K6V 5W6

Voir la rubrique "Outils électriques"
des Pages Jaunes
pour le service et les ventes.



CARACTÉRISTIQUES TECHNIQUES DU LASER :

Longueur d'onde de la diode du laser :	633-670nm (couleur rouge)
Classe du laser :	Classe II
Plage de fonctionnement :	Jusqu'à 152 mm (6 po) de trait visible (selon l'éclairage)
Piles :	2 AAA alcaline (incluses)
Tension :	3 Volts
Température de fonctionnement :	5 °C (41 °F) - 40 °C (104 °F)



Sierra caladora de acción orbital con láser

MANUAL DE INSTRUCCIONES

Catálogo N°
JS650L



¡GRACIAS POR ELEGIR BLACK & DECKER!
VAYA A WWW.BLACKANDDECKER.COM/NEWOWNER
PARA REGISTRAR SU NUEVO PRODUCTO.

**ANTES DE DEVOLVER ESTE PRODUCTO POR
CUALQUIER MOTIVO, LLAME AL
(55)5326-7100**

ANTES DE LLAMAR, TENGA EL NÚMERO DE CATÁLOGO Y EL CÓDIGO DE FECHA PREPARADOS. EN LA MAYORÍA DE LOS CASOS, UN REPRESENTANTE DE BLACK & DECKER PUEDE RESOLVER EL PROBLEMA POR TELÉFONO. SI DESEA REALIZAR UNA SUGERENCIA O COMENTARIO, LLÁMENOS. SU OPINIÓN ES FUNDAMENTAL PARA BLACK & DECKER.

CONSERVE ESTE MANUAL PARA FUTURAS CONSULTAS.

Normas generales de seguridad

⚠ADVERTENCIA: Lea todas las instrucciones. El incumplimiento de las instrucciones enumeradas debajo puede provocar descarga eléctrica, incendio o lesiones graves. El

término "herramienta eléctrica" incluido en todas las advertencias enumeradas a continuación hace referencia a su herramienta eléctrica operada con corriente (alámbrica) o a su herramienta eléctrica operada con baterías (inalámbrica).

⚠ADVERTENCIA: Para reducir el riesgo de lesiones, el usuario debe leer el manual de instrucciones.

CONSERVE ESTAS INSTRUCCIONES

1) SEGURIDAD EN EL ÁREA DE TRABAJO

- Mantenga el área de trabajo limpia y bien iluminada.** Las áreas abarrotadas y oscuras propician accidentes.
- No opere herramientas eléctricas en atmósferas explosivas, como ambientes donde se encuentran líquidos, gases o polvo inflamables.** Las herramientas eléctricas originan chispas que pueden encender el polvo o los vapores.
- Mantenga a los niños y espectadores alejados de la herramienta eléctrica en funcionamiento.** Las distracciones pueden provocar la pérdida de control.

2) SEGURIDAD ELÉCTRICA

- Los enchufes de la herramienta eléctrica deben adaptarse al tomacorriente. Nunca modifique el enchufe de ninguna manera. No utilice ningún enchufe adaptador con herramientas eléctricas con conexión a tierra.** Los enchufes no modificados y que se adaptan a los tomacorrientes reducirán el riesgo de descarga eléctrica.
- Evite el contacto corporal con superficies puestas a tierra, como por ejemplo tuberías, radiadores, rangos y refrigeradores.** Existe mayor riesgo de descarga eléctrica si su cuerpo está puesto a tierra.
- No exponga las herramientas eléctricas a la lluvia o a condiciones de humedad.** Si ingresa agua a una herramienta eléctrica, aumentará el riesgo de descarga eléctrica.
- No maltrate al cable. Nunca utilice el cable para transportar, tirar o desenchufar la herramienta eléctrica.** Mantenga el cable lejos del calor, aceite, bordes afilados o piezas móviles. Los cables dañados o enredados aumentan el riesgo de descarga eléctrica. Repare o reemplace los cables dañados. Asegúrese de que el cableprolongador esté en buenas condiciones. Utilice solamente cables prolongadores de 3 conductores que tengan enchufes a tierra de 3 patas y receptáculos de tripolares que se adapten al enchufe de la herramienta.
- Al operar una herramienta eléctrica en el exterior, utilice un cable prolongador adecuado para tal uso.** Utilice un cable adecuado para uso en exteriores a fin de reducir el riesgo de descarga eléctrica. Cuando utilice un cable prolongador, asegúrese de que tenga la capacidad para conducir la corriente que su producto exige. Un cable de menor capacidad provocará una disminución en el voltaje de la línea que producirá pérdida de potencia y sobrecalentamiento. La siguiente tabla muestra la medida correcta que debe utilizar según la longitud del cable y la capacidad nominal en amperios indicada en la placa. En caso de duda, utilice el calibre inmediatamente superior. Cuanto menor es el número de calibre, más grueso es el cable.

Calibre mínimo para cables prolongadores					
Voltios		Largo total del cable en pies			
120 V		0-25	26-50	51-100	101-150
240 V		0-50	51-100	101-200	201-300
Capacidad nominal en amperios					
Más de que	No más de que	Medida de conductor estadounidense			
0	- 6	18	16	16	14
6	- 10	18	16	14	12
10	- 12	16	16	14	12
12	- 16	14	12	No Recomendado	

3) SEGURIDAD PERSONAL

- a) **Permanezca alerta, controle lo que está haciendo y utilice el sentido común cuando emplee una herramienta eléctrica. No utilice una herramienta eléctrica si está cansado o bajo el efecto de drogas, alcohol o medicamentos.** Un momento de descuido mientras se opera una herramienta eléctrica podría provocar daños personales graves.
- b) **Use equipo de seguridad. Siempre utilice protección para los ojos.** El equipo de seguridad, como las máscaras para polvo, el calzado de seguridad antideslizante, los cascos o la protección auditiva utilizados para condiciones adecuadas reducirán las lesiones personales.
- c) **Evite el encendido por accidente. Asegúrese de que el interruptor esté en la posición de apagado antes de enchufar la herramienta.** Transportar herramientas eléctricas con su dedo apoyado sobre el interruptor o enchufar herramientas eléctricas con el interruptor en posición de encendido puede propiciar accidentes.
- d) **Retire las clavijas de ajuste o llaves de tuercas antes de encender la herramienta eléctrica.** Una llave de tuercas o una clavija de ajuste que se deje conectada a una pieza giratoria de la herramienta eléctrica pueden provocar lesiones personales.
- e) **No se estire. Conserve el equilibrio adecuado y manténgase parado correctamente en todo momento.** Esto permite un mejor control de la herramienta eléctrica en situaciones inesperadas.
- f) **Vístase apropiadamente. No use ropas holgadas ni joyas. Mantenga el cabello, las ropas y los guantes alejados de las piezas móviles. Las ropas holgadas, las joyas o el cabello largo pueden quedar atrapados en las piezas móviles.** Los orificios de ventilación suelen cubrir piezas móviles, por lo que también se deben evitar.
- g) **Si se suministran dispositivos para la conexión de accesorios para la recolección y extracción de polvo, asegúrese de que estén conectados y se utilicen correctamente.** El uso de estos dispositivos puede reducir los peligros relacionados con el polvo.

4) USO Y MANTENIMIENTO DE LA HERRAMIENTA ELÉCTRICA

- a) **No fuerce la herramienta eléctrica. Utilice la herramienta eléctrica correcta para el trabajo que realizará.** La herramienta eléctrica correcta hará el trabajo mejor y más seguro a la velocidad para la que fue diseñada.
- b) **No utilice la herramienta eléctrica si no puede encenderla o apagarla con el interruptor.** Toda herramienta eléctrica que no puede ser controlada mediante el interruptor es peligrosa y debe ser reparada.
- c) **Desconecte el enchufe de la fuente de energía y/o el paquete de baterías de la herramienta eléctrica antes de realizar ajustes, cambiar accesorios o almacenar herramientas eléctricas.** Estas medidas de seguridad preventivas reducen el riesgo de encender la herramienta eléctrica en forma accidental.
- d) **Guarde las herramientas eléctricas que no están en uso fuera del alcance de los niños y no permite que otras personas no familiarizadas con ella o con estas instrucciones operen la herramienta.** Las herramientas eléctricas son peligrosas en las manos de usuarios no entrenados.
- e) **Mantenimiento de las herramientas eléctricas. Controle que no haya piezas móviles mal alineadas o trabadas, piezas rotas y toda otra situación que pueda afectar el funcionamiento de las herramientas eléctricas. Si encuentra daños, haga reparar la herramienta eléctrica antes de utilizarla.** Se producen muchos accidentes a causa de las herramientas eléctricas que carecen de un mantenimiento adecuado.
- f) **Mantenga las herramientas de corte afiladas y limpias.** Las herramientas de corte con mantenimiento adecuado, con los bordes de corte afilados son menos propensas a trabarse y son más fáciles de controlar.
- g) **Utilice la herramienta eléctrica, los accesorios y las brocas de la herramienta, etc. de acuerdo con estas instrucciones y de la forma prevista para el tipo de herramienta eléctrica en particular, teniendo en cuenta las condiciones de trabajo y el trabajo que debe realizarse.** El uso de la herramienta eléctrica para operaciones diferentes de aquéllas para las que fue diseñada puede provocar una situación peligrosa.

5) MANTENIMIENTO

- a) Haga que una persona de reparaciones calificada realice el mantenimiento de su herramienta eléctrica y utilice piezas de repuesto idénticas solamente. Esto garantizará la seguridad de la herramienta eléctrica.
- b) Si necesita un cable de alimentación de repuesto, debe adquirirlo a través del fabricante o su agente para evitar un riesgo de seguridad.

Normas de seguridad específicas

- a) **Sostenga la herramienta por las superficies de agarre aisladas cuando realiza una operación donde la herramienta de corte puede tocar cables eléctricos ocultos o su propio cable.** El contacto con un cable con "corriente eléctrica" hará que las partes metálicas expuestas de la herramienta tengan "corriente eléctrica" y el operador sufrirá una descarga eléctrica.
- b) **Mantenga las manos lejos de la zona de corte.** Nunca se estire por debajo del material por ningún motivo. Sostenga la parte frontal de la sierra desde el área de sujeción contorneada. No inserte los dedos en la zona cercana a la hoja alternativa y a la abrazadera de la hoja. No estabilice la sierra sujetando la zapata.
- c) **Utilice abrazaderas u otra forma práctica para asegurar y sostener la pieza de trabajo sobre una plataforma estable.** Sostener el trabajo con la mano o contra el cuerpo no brinda la estabilidad requerida y puede llevar a la pérdida del control.
- d) **Mantenga las hojas afiladas.** Las hojas sin filo pueden hacer que la sierra se desvíe o atasque al recibir presión.
- e) **Al cortar tuberías o conductos, asegúrese de que no contengan agua, cableado eléctrico, etc.**

⚠ADVERTENCIA: Parte del polvo generado al lijar, serrar, esmerilar y taladrar, así como al realizar otras actividades del sector de la construcción, contienen productos químicos que pueden producir cáncer, defectos congénitos u otras afecciones reproductivas. Ejemplos de esas sustancias químicas son:

- plomo procedente de pinturas a base de plomo,
- óxido de silicio cristalino procedente de ladrillos, cemento y otros productos de mampostería, y
- arsénico y cromo procedentes de madera tratada químicamente (CCA).

El peligro derivado de estas exposiciones que usted enfrente varía en función de la frecuencia con que se realice este tipo de trabajo. Para reducir la exposición a esas sustancias químicas: trabaje en una zona bien ventilada y llevando equipos de seguridad aprobados, como mascarillas antipolvo especialmente diseñadas para filtrar partículas microscópicas.

- **Evite el contacto prolongado con el polvo procedente del lijado, serrado, esmerilado y taladrado eléctricos, así como de otras actividades del sector de la construcción. Lleve ropa protectora y lave con agua y jabón las zonas expuestas.** Si permite que el polvo se introduzca en la boca u ojos o quede sobre la piel, puede favorecer la absorción de productos químicos peligrosos.

⚠ADVERTENCIA: El uso de esta herramienta puede generar o dispersar polvo lo cual puede causar lesiones respiratorias serias y permanentes y otros tipos de lesión. Siempre use protección respiratoria aprobada por NIOSH/OSHA para la exposición al polvo. Dirija las partículas en dirección opuesta a su cara y cuerpo.

⚠PRECAUCIÓN: Emplee la protección personal y auditiva adecuada durante el uso de este producto. Bajo ciertas condiciones y duración de uso, el ruido producido por este producto puede contribuir a la pérdida auditiva.

La etiqueta de su herramienta puede incluir los siguientes símbolos.

V	volts	A	amperes
Hz	hertz	W	watts
min	minutos	~	corriente alterna
====	corriente directa	n ₀	velocidad sin carga
☐	construcción clase II	⊕	terminales de conexión a tierra
⚠	símbolo de alerta	.../min	revoluciones o minuto seguridad
mW	milivatios	nm	longitud de ondas en nanómetros
II	Láser de Clase II		

INSTRUCCIONES DE SEGURIDAD PARA EL LÁSER

⚠ PELIGRO: Radiación láser, evite la exposición directa de los ojos, pueden producirse lesiones oculares graves.

- No utilice herramientas ópticas, como por ejemplo un telescopio o un teodolito para ver el rayo láser.
- Coloque el láser de manera que se evite todo contacto accidental con los ojos.
- No opere el láser con niños alrededor ni permita que los niños operen el láser.
- No desmontar. Cualquier modificación que se realice al producto aumenta el riesgo de radiación láser.

⚠ ADVERTENCIA: La utilización de controles o ajustes o la realización de procedimientos diferentes a los especificados en este manual podrían provocar el riesgo de exposición a radiación láser.

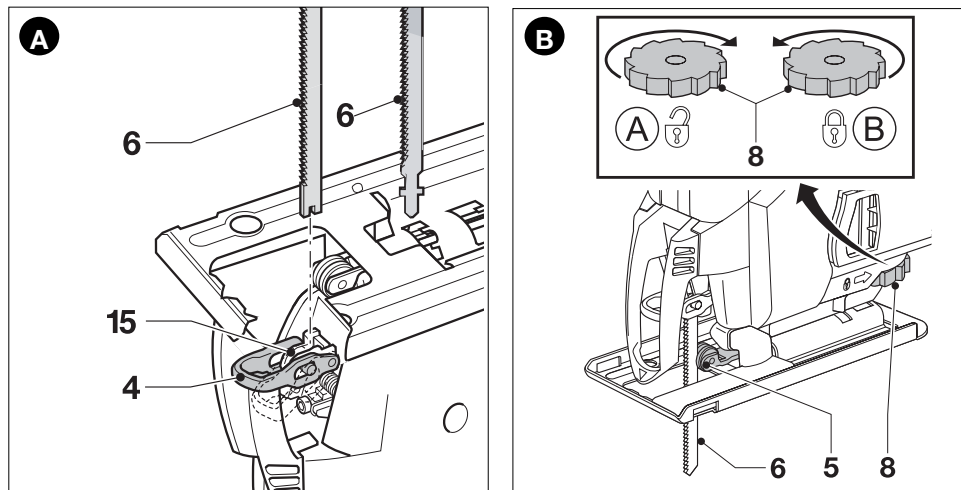
- No regule el láser de la sierra mientras esté enchufada.
- No opere la herramienta en atmósferas explosivas, como ambientes donde se encuentren líquidos, gases o polvo inflamables.
- Utilice únicamente con las baterías recomendadas específicamente en el láser. El uso de otro tipo de batería puede producir riesgo de incendio.
- Guarde el producto que no está en uso fuera del alcance de los niños y de personas no entrenadas. El láser es peligroso en las manos de usuarios no entrenados.
- Utilice sólo accesorios recomendados por el fabricante para el modelo que posee. Los accesorios correctos para un láser pueden provocar riesgo de lesiones si se utilizan con otro láser.
- Las reparaciones y el mantenimiento DEBEN ser realizados por un centro de reparaciones calificado. Las reparaciones realizadas por personal no calificado pueden provocar lesiones graves.
- No retire ni borre las etiquetas de advertencia. El retiro de las etiquetas aumenta el riesgo de exposición a radiación.
- Únicamente para uso en interiores.
- Este producto está diseñado para utilizar con temperaturas entre 5 °C (41 °F) y 40 °C (104 °F).

Características - JS650L

1. Interruptor de encendido/apagado de la sierra caladora
2. Botón de bloqueo
3. Perilla de control de velocidad variable
4. Palanca de la abrazadera de la hoja de la sierra
5. Soporte giratorio de la hoja de la sierra
6. Hoja para sierra
7. Placa de la zapata
8. Perilla de bloqueo de la placa de la zapata
9. Compartimiento para almacenamiento de la hoja de la sierra
10. Láser
11. Botón de encendido/apagado del láser
12. Tornillo de ajuste del láser
13. Selector orbital del sistema de control de acabado
14. Soplador de polvo



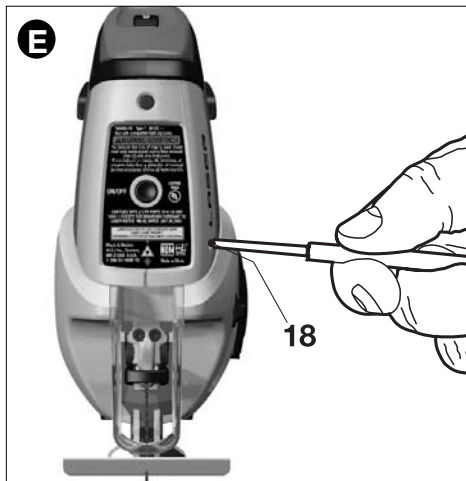
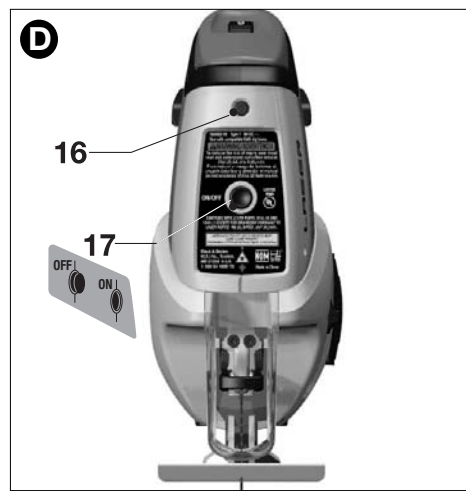
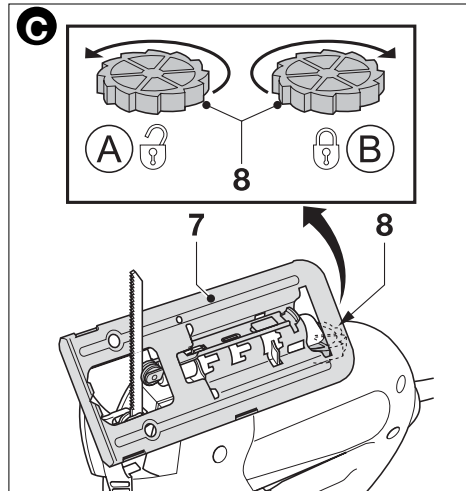
Para su comodidad y seguridad, el láser incluye las siguientes etiquetas.



Motor

Asegúrese de que el suministro de energía concuerde con lo marcado en la placa. CA de 120 voltios solamente significa que su herramienta funcionará con energía doméstica estándar de 60 Hz. No haga funcionar herramientas para corriente alterna (CA) con corriente directa (CD). Una capacidad nominal de CA/CD de 120 voltios significa que su herramienta funcionará con energía estándar de CA o CD de 60 Hz. Esta información está impresa en la placa. Un voltaje menor producirá pérdida de potencia y puede provocar sobrecalentamiento. Todas las herramientas Black & Decker se prueban en fábrica. Si esta herramienta no funciona, revise el suministro eléctrico.

CONSERVE ESTAS INSTRUCCIONES



ENSAMBLAJE

⚠ ADVERTENCIA: Hoja filosa. Para evitar el funcionamiento accidental, asegúrese de que la herramienta esté apagada y desenchufada, y que la hoja de la sierra se haya detenido antes de realizar las siguientes operaciones. El incumplimiento de esta instrucción puede provocar graves lesiones personales. Las hojas de la sierra que se utilizaron pueden estar calientes.

INSERCIÓN DE LA HOJA DE LA SIERRA (FIG. A)

- Sostenga la hoja de la sierra (6) como se muestra, con los dientes orientados hacia adelante.
- Empuje la palanca (4) hacia abajo.
- Introduzca el vástago de la hoja de la sierra en el portahojas (15) tanto como sea posible.
- Suelte la palanca.
- Ajuste el soporte giratorio de la hoja como se describe a continuación.

AJUSTE DEL SOPORTE GIRATORIO DE LA HOJA (FIG. B)

- Después de insertar la hoja, debe ajustar el soporte giratorio (5).
- Gire la perilla de bloqueo (8) en la dirección A.

- Deslice el soporte giratorio de la hoja contra la parte posterior de la hoja. La hoja debe ubicarse en la cavidad central del soporte giratorio.
- Gire la perilla de bloqueo (8) en la dirección **B** para bloquear la placa de la zapata en el lugar.

USO DE LA SIERRA CALADORA

⚠ ADVERTENCIA: Peligro de laceración. Para evitar la pérdida de control, nunca use la herramienta si la zapata de la sierra no está colocada o está floja. El incumplimiento de esta instrucción puede provocar graves lesiones personales.

AJUSTE DE LA PLACA DE LA ZAPATA PARA CORTES EN BISEL (FIG. C)

La placa de la zapata puede fijarse para un ángulo de biselado a la derecha o a la izquierda de hasta 45°.

- Gire la perilla de bloqueo (8) en la dirección **A** para liberar la placa de la zapata (6).
- Tire la placa de la zapata (7) hacia atrás y fíjela en el ángulo requerido. Puede usar la escala o un transportador para controlar el ángulo.
- Gire la perilla de bloqueo (8) en la dirección **B** para bloquear la placa de la zapata en el lugar.

Para fijar la placa de la zapata para cortes rectos:

- Gire la perilla de bloqueo (8) en la dirección **A** para liberar la placa de la zapata (7).
- Tire la placa de la zapata hacia atrás y fíjela a un ángulo de 0 aproximadamente.
- Empuje la placa de la zapata hacia adelante.
- Gire la perilla de bloqueo (8) en la dirección **B** para bloquear la placa de la zapata en el lugar. Asegúrese de que la placa de la zapata reciba el soporte de las varillas de guía.

CONTROL DE VELOCIDAD VARIABLE

- Fije la perilla de control de velocidad variable (3) al rango de velocidad requerido. Use una velocidad alta para la madera, una velocidad media para el aluminio y el PVC y una velocidad baja para los metales distintos del aluminio.

SELECTOR ORBITAL DEL SISTEMA DE CONTROL DE ACABADO

- Para realizar cortes rectos de forma rápida y eficiente en madera, fije el selector (13) en el número "2".
- Para realizar cortes rectos y curvos y dejar un acabado suave, fije el selector turbo (13) al número "1".
- Fije el selector de acción orbital turbo (13) en la posición número "0" para efectuar cortes que no sean orbitales/cortes en metal.

ENCENDIDO Y APAGADO

- Para encender la herramienta, presione el interruptor (1). La velocidad de la herramienta depende del ajuste de la perilla de control de velocidad variable (3).
- Para funcionamiento continuo, oprima el botón de bloqueo (2) y suelte el interruptor.
- Para apagar la herramienta, suelte el interruptor. Para apagar la herramienta cuando está en funcionamiento continuo, oprima el interruptor una vez más y suéltelo.

USO DEL LÁSER

Su sierra está equipada con un láser que se enciende y apaga independientemente de la sierra caladora.

⚠ ADVERTENCIA: NUNCA APUNTE EL RAYO A UNA PIEZA DE TRABAJO QUE TENGA UNA SUPERFICIE REFLECTANTE. Se recomienda no usar el láser con láminas de acero brillantes y reflectantes u otras superficies reflectantes similares. Las superficies reflectantes pueden dirigir el rayo hacia el operador.

⚠ PELIGRO: RADIACIÓN LÁSER. EVITE LA EXPOSICIÓN DIRECTA DE LOS OJOS. No mire hacia la fuente de luz láser. Nunca apunte la luz hacia otra persona u objeto que no sea el trabajo. La luz láser puede dañar los ojos.

⚠ ADVERTENCIA: NO utilice anteojos coloreados para aumentar la luz láser. Los anteojos coloreados reducen la visión total para el uso e interfieren con la operación normal de la herramienta.

COLOCACIÓN DE LAS BATERÍAS (FIG. D)

Retire el tornillo (16) y tire el láser (10) hacia adelante para separarlo de la sierra caladora. Inserte 2 baterías AAA de 1,5 voltios nuevas y asegúrese de que los terminales (+) y (-) coincidan correctamente. Vuelva a colocar el láser.

⚠ ADVERTENCIA: Las baterías pueden explotar o tener pérdidas y pueden provocar lesiones o incendios. Para disminuir este riesgo:

- Siga cuidadosamente todas las instrucciones y las advertencias de la etiqueta y el envase de la batería.
 - Introduzca siempre las baterías correctamente respetando la polaridad (+ y -) indicada en la batería y en el equipo.
 - No produzca un cortocircuito con los terminales de la batería.
 - No cargue las baterías.
 - No mezcle baterías nuevas y viejas. Reemplácelas todas al mismo tiempo por baterías nuevas de la misma marca y tipo.
 - Retire todas las baterías agotadas inmediatamente y elimínelas de acuerdo con los códigos locales.
 - No arroje las baterías al fuego.
 - Mantenga las baterías fuera del alcance de los niños.
 - Retire las baterías si el aparato no se va a usar durante varios meses.
- “Transportar baterías puede provocar incendios si los terminales de la batería entran en contacto accidentalmente con materiales conductores como llaves, monedas, herramientas de mano u objetos similares. Las Normas para Materiales Peligrosos del Departamento de Transporte de Estados Unidos (HMR) en realidad prohíben transportar baterías comercialmente o en aviones (es decir, empacadas en valijas y equipaje de mano) A MENOS que estén protegidas correctamente de cortocircuitos. Por lo tanto, cuando transporte baterías individuales, asegúrese de que los terminales de la batería están protegidos y bien aislados de materiales que puedan hacer contacto y causar un cortocircuito”.

APAGADO Y ENCENDIDO DEL LÁSER (FIG. D)

Para encender el láser, presione el botón de encendido/apagado (17). Para apagarlo, presione el botón una segunda vez. El botón del láser se encuentra en posición de encendido cuando está por debajo del nivel de la carcasa, y se encuentra en posición de apagado cuando está al nivel de la carcasa.

AJUSTE DEL LÁSER DE LADO A LADO (FIG. E)

NOTA: El láser está diseñado como un dispositivo de ayuda para realizar cortes pero no garantiza la precisión.

Use el tornillo de ajuste del láser (18) para alinear la línea láser con la hoja de la sierra, si es necesario.

⚠ ADVERTENCIA: Peligro de laceración: No ajuste el láser si la sierra caladora está enchufada.

⚠ ADVERTENCIA: El circuito del láser reducirá la visibilidad de la salida (potencia) del dispositivo si se ha sobrecalentado. Probablemente el láser no se vea si la sierra ha estado sobrecargada durante un plazo extenso. La visibilidad del láser (potencia) volverá a los parámetros normales gradualmente, a medida que la herramienta se enfríe, incluso si está desenchufada.

⚠ ADVERTENCIA: No deje un láser sobrecalentado en la posición de encendido sin supervisión. Asegúrese que el interruptor está en la posición de apagado, como se muestra en el recuadro de la **figura D**. Retire las baterías para cortar la energía al láser.

Consejos para un uso óptimo

GENERAL

- Use una velocidad alta para la madera, una velocidad media para el aluminio y el PVC y una velocidad baja para los metales distintos del aluminio.

ASERRADO DE LAMINADOS

Dado que la sierra corta en la carrera hacia arriba, es posible que se produzcan astillas en la superficie cercana a la placa de la zapata.

- Use una hoja de sierra de dientes finos.
- Asierre desde la superficie posterior de la pieza de trabajo.
- Para minimizar la formación de astillas, sujete con abrazadera una pieza de madera o cartón madera de descarte a ambos lados de la pieza de trabajo y asierre por el medio de este sandwich.

ASERRADO DE METAL

- Tenga en cuenta que aserrar metal lleva mucho más tiempo que aserrar madera.
- Use una hoja de sierra adecuada para cortar metal.
- Cuando corte metal fino, fije una pieza de madera de descarte a la superficie posterior

- de la pieza de trabajo y asierre por el medio de este sándwich.
 - Esparza una película de aceite a lo largo de la línea de corte deseada.

DETECCIÓN DE PROBLEMAS

Problema	Causa posible	Solución posible
• La unidad no enciende.	• Cable desenchufado.	• Enchufe la herramienta en un tomacorriente que funcione.
	• Fusible quemado.	• Reemplace el fusible quemado. (Si repetidamente el producto hace que el fusible del circuito se queme, deje de utilizarlo inmediatamente y haga que le realicen mantenimiento en un centro de mantenimiento Black & Decker o en un centro de servicio autorizado.)
	• El interruptor automático está activado.	• Reinicie el interruptor automático. (Si repetidamente el producto hace que el fusible del circuito se active, deje de utilizarlo inmediatamente y haga que le realicen mantenimiento en un centro de mantenimiento Black & Decker o en un centro de servicio autorizado.)
	• El interruptor o el cable está dañado.	• Haga que reemplacen el cable o el interruptor en un centro de mantenimiento Black & Decker o en un centro de mantenimiento autorizado.

Para conocer la ubicación del centro de mantenimiento más cercano a fin de recibir ayuda con su producto, visite nuestro sitio Web www.blackanddecker.com o llame a la línea de ayuda de BLACK & DECKER al **(55)5326-7100**.

MANTENIMIENTO

Utilice únicamente jabón suave y un trapo húmedo para limpiar la herramienta. Nunca permita que se introduzcan líquidos en la herramienta; nunca sumerja ninguna parte de la herramienta en ningún líquido. **IMPORTANTE:** Para garantizar la SEGURIDAD y la CONFIABILIDAD del producto, la reparaciones, el mantenimiento y los ajustes deberán efectuarse en centros de servicio autorizado u otras organizaciones de servicio calificado, que utilicen siempre refacciones idénticas.

ACCESORIOS

Los accesorios que se recomiendan para la herramienta están disponibles en su distribuidor local o en el centro de mantenimiento autorizado. Si necesita ayuda con respecto a los accesorios, llame al: **(55)5326-7100**

⚠ ADVERTENCIA: El uso de accesorios no recomendados para utilizar con esta herramienta puede resultar peligroso.

INFORMACIÓN DE MANTENIMIENTO

Todos los Centros de mantenimiento de Black & Decker cuentan con personal altamente capacitado dispuesto a brindar a todos los clientes un servicio eficiente y confiable en la reparación de herramientas eléctricas. Si necesita consejo técnico, reparaciones o piezas de repuesto originales de fábrica, póngase en contacto con el centro de mantenimiento de Black & Decker más cercano a su domicilio. Para ubicar su centro de servicio local, consulte la sección "Herramientas eléctricas" (Tools-Electric) de las páginas amarillas, llame al **(55)5326-7100** o visite nuestro sitio **www.blackanddecker.com**.

GARANTÍA COMPLETA DE DOS AÑOS PARA USO EN EL HOGAR

Black & Decker (Estados Unidos) Inc. ofrece una garantía de dos años por cualquier defecto del material o de fabricación de este producto. El producto defectuoso se reparará o reemplazará sin costo alguno de dos maneras.

La primera opción, el reemplazo, es devolver el producto al comercio donde se lo adquirió (siempre y cuando se trate de un comercio participante). Las devoluciones deben realizarse conforme a la política de devolución del comercio (generalmente, entre 30 y 90 días posteriores a la venta). Le pueden solicitar comprobante de compra. Consulte en el comercio acerca de la política especial sobre devoluciones una vez excedido el plazo establecido.

La segunda opción es llevar o enviar el producto (con flete pago) a un Centro de mantenimiento propio o autorizado de Black & Decker para su reparación o reemplazo según nuestro criterio. Le pueden solicitar el comprobante de compra. Los Centros de mantenimiento autorizados y de propiedad de Black & Decker se detallan en la sección "Herramientas eléctricas" (Tools-Electric) de las páginas amarillas de la guía telefónica. Esta garantía no se extiende a los accesorios. Esta garantía le concede derechos legales específicos; usted puede tener otros derechos que pueden variar según el estado o la provincia. Si tiene alguna pregunta, comuníquese con el gerente del Centro de mantenimiento de Black & Decker de su zona. Este producto no está diseñado para uso comercial.

REEMPLAZO GRATUITO DE LAS ETIQUETAS DE ADVERTENCIAS: si sus etiquetas de advertencia se tornan ilegibles o faltan, llame al **(55)5326-7100** para que se le reemplacen gratuitamente.

TECHNICAL SPECIFICATIONS OF LASER:

Longitud de ondas de diodo del láser:	633 a 670 nm (color rojo)
Clase de láser:	Clase II
Rango de funcionamiento:	Hasta 152 mm (6 pulgadas) de alcance de línea (depende de las condiciones de luz)
Baterías:	2 baterías alcalinas AAA (incluidas)
Voltaje:	3 voltios
Temperatura de funcionamiento:	5°C (41°F) a 40°C (104°F)

Para reparación y servicio de sus herramientas eléctricas, favor de dirigirse al Centro de Servicio más cercano:

CULIACAN, SIN

Av. Nicolás Bravo #1063 Sur
(667) 7 12 42 11
Col. Industrial Bravo

GUADALAJARA, JAL

Av. La Paz #1779
(33) 3825 6978
Col. Americana Sector Juarez

MEXICO, D.F.

Eje Central Lázaro Cardenas
No. 18
(55) 5588 9377
Local D, Col. Obrera

MERIDA, YUC

Calle 63 #459-A
(999) 928 5038
Col. Centro

MONTERREY, N.L.

Av. Francisco I. Madero
No.831
(81) 8375 2313
Col. Centro

PUEBLA, PUE

17 Norte #205
(222) 246 3714
Col. Centro

QUERETARO, QRO

Av. Madero 139 Pte.
(442) 214 1660
Col. Centro

SAN LUIS POTOSI, SLP

Av. Universidad 1525
(444) 814 2383
Col. San Luis

TORREON, COAH

Bvld. Independencia, 96 Pte.
(871) 716 5265
Col. Centro

VERACRUZ, VER

Prolongación Díaz Mirón #4280
(229)921 7016
Col. Remes

VILLAHERMOSA, TAB

Constitución 516-A
(993) 312 5111
Col. Centro

PARA OTRAS LOCALIDADES LLAME AL: (55) 5326 7100

Vea "Herramientas eléctricas (Tools-Electric)" - Páginas amarillas - para Servicio y ventas



BLACK & DECKER S.A. DE C.V.
BOSQUES DE CIDROS ACCESO RADIATAS NO. 42
COL. BOSQUES DE LAS LOMAS.
05120 MÉXICO, D.F
TEL. 55-5326-7100

ESPECIFICACIONES

Tensión de alimentación: 120V~ Potencia nominal: 558W
Frecuencia de operacion: 60Hz Consumo de corriente: 5A

Free Manuals Download Website

<http://myh66.com>

<http://usermanuals.us>

<http://www.somanuals.com>

<http://www.4manuals.cc>

<http://www.manual-lib.com>

<http://www.404manual.com>

<http://www.luxmanual.com>

<http://aubethermostatmanual.com>

Golf course search by state

<http://golfingnear.com>

Email search by domain

<http://emailbydomain.com>

Auto manuals search

<http://auto.somanuals.com>

TV manuals search

<http://tv.somanuals.com>