

BLACK & DECKER®

10 INCH (254MM) DRILL PRESS

INSTRUCTION MANUAL



**CATALOG NO.
BDDP100**

THANK YOU FOR CHOOSING BLACK & DECKER!
GO TO WWW.BLACKANDDECKER.COM/NEWOWNER
TO REGISTER YOUR NEW PRODUCT.

**BEFORE RETURNING THIS PRODUCT
FOR ANY REASON PLEASE CALL
1-800-544-6986**

BEFORE YOU CALL, HAVE THE FOLLOWING INFORMATION AVAILABLE, CATALOG No., TYPE No., AND DATE CODE . IN MOST CASES, A **BLACK & DECKER** REPRESENTATIVE CAN RESOLVE THE PROBLEM OVER THE PHONE. IF YOU HAVE A SUGGESTION OR COMMENT, GIVE US A CALL. YOUR FEEDBACK IS VITAL TO BLACK & DECKER.

SAVE THIS MANUAL FOR FUTURE REFERENCE.

VEA EL ESPAÑOL EN LA CONTRAPORTADA.

POUR LE FRANÇAIS, VOIR LA COUVERTURE ARRIÈRE.

INSTRUCTIVO DE OPERACIÓN, CENTROS DE SERVICIO Y
PÓLIZA DE GARANTÍA. **ADVERTENCIA:** LEASE ESTE
INSTRUCTIVO ANTES DE USAR EL PRODUCTO.

Cat.No. BDDP100 Form No. 90527831

OCT. '07

Copyright© 2007 Black & Decker

Printed in China

SAFETY GUIDELINES - DEFINITIONS

It is important for you to read and understand this manual.

The information it contains relates to protecting YOUR SAFETY and PREVENTING PROBLEMS. The symbols below are used to help you recognize this information.

⚠ DANGER: Indicates an imminently hazardous situation which, if not avoided, will result in death or serious injury.

⚠ WARNING: Indicates a potentially hazardous situation which, if not avoided, could result in death or serious injury.

⚠ CAUTION: Indicates a potentially hazardous situation which, if not avoided, may result in minor or moderate injury.

CAUTION: Used without the safety alert symbol indicates potentially hazardous situation which, if not avoided, may result in property damage.

⚠ WARNING: Some dust created by power sanding, sawing, grinding, drilling, and other construction activities contains chemicals known to cause cancer, birth defects or other reproductive harm. Some examples of these chemicals are:

- lead from lead-based paints,
- crystalline silica from bricks and cement and other masonry products, and
- arsenic and chromium from chemically-treated lumber (CCA).

Your risk from these exposures varies, depending on how often you do this type of work. To reduce your exposure to these chemicals: work in a well ventilated area, and work with approved safety equipment, such as those dust masks that are specially designed to filter out microscopic particles.

- Avoid prolonged contact with dust from power sanding, sawing, grinding, drilling, and other construction activities. Wear protective clothing and wash exposed areas with soap and water. Allowing dust to get into your mouth, eyes, or lay on the skin may promote absorption of harmful chemicals.

⚠ WARNING: Use of this tool can generate and/or disperse dust, which may cause serious and permanent respiratory or other injury. Always use NIOSH/OSHA approved respiratory protection appropriate for the dust exposure. Direct particles away from face and body.

⚠ CAUTION: Wear appropriate hearing protection during use. Under some conditions and duration of use, noise from this product may contribute to hearing loss.

GENERAL SAFETY RULES



⚠ WARNING: READ ALL INSTRUCTIONS BEFORE OPERATING PRODUCT. FAILURE TO FOLLOW ALL INSTRUCTIONS LISTED BELOW MAY RESULT IN ELECTRIC SHOCK, FIRE AND OR SERIOUS INJURY.

IMPORTANT SAFETY INSTRUCTIONS

Woodworking can be dangerous if safe and proper operating procedures are not followed. As with all machinery, there are certain hazards involved with the operation of the product. Using the machine with respect and caution will considerably lessen the possibility of personal injury. However, if normal safety precautions are overlooked or ignored, personal injury to the operator may result. Safety equipment such as guards, push sticks, hold-downs, featherboards, goggles, dust masks and hearing protection can reduce your potential for injury. But even the best guard won't make up for poor judgment, carelessness or inattention. Always use common sense and exercise caution in the workshop. If a procedure feels dangerous, don't try it. Figure out an alternative procedure that feels safer. **REMEMBER:** Your personal safety is your responsibility.

1. **FOR YOUR OWN SAFETY, READ INSTRUCTION MANUAL BEFORE OPERATING THE TOOL.** Learn the tool's application and limitations as well as the specific hazards peculiar to it.
2. **KEEP GUARDS IN PLACE** and in working order.
3. **ALWAYS USE PROPER EYE PROTECTION.** Wear safety glasses. Everyday eyeglasses only have impact resistant lenses; they are not safety glasses. Also use face or dust mask if cutting operation is dusty. These safety glasses must conform to ANSI Z87.1 requirements. **NOTE:** Approved glasses have Z87 printed or stamped on them.
4. **REMOVE ADJUSTING KEYS AND WRENCHES.** Form habit of checking to see that keys and adjusting wrenches are removed from tool before turning it "on".
5. **KEEP WORK AREA CLEAN.** Cluttered areas and benches invite accidents.
6. **DON'T USE IN DANGEROUS ENVIRONMENT.** Don't use power tools in damp or wet locations, or expose them to rain. Keep work area well-lighted.
7. **KEEP CHILDREN AND VISITORS AWAY.** All children and visitors should be kept a safe distance from work area.
8. **MAKE WORKSHOP CHILDPROOF** – with padlocks, master switches, or by removing starter keys.
9. **DON'T FORCE TOOL.** It will do the job better and be safer at the rate for which it was designed.
10. **USE RIGHT TOOL.** Don't force tool or attachment to do a job for which it was not designed.
11. **WEAR PROPER APPAREL.** No loose clothing, gloves, neckties, rings, bracelets, or other jewelry to get caught in moving parts. Non-slip footwear is recommended. Wear protective hair covering to contain long hair.
12. **SECURE WORK.** Use clamps or a vise to hold work when practical. It's safer than using your hand and frees both hands to operate tool.
13. **DON'T OVERREACH.** Keep proper footing and balance at all times.
14. **MAINTAIN TOOLS IN TOP CONDITION.** Keep tools sharp and clean for best and safest performance. Follow instructions for lubricating and changing accessories.
15. **DISCONNECT TOOLS** before servicing and when changing accessories such as blades, bits, cutters, etc.
16. **USE RECOMMENDED ACCESSORIES.** The use of accessories and attachments not recommended by Black & Decker may cause hazards or risk of injury to persons.

17. **REDUCE THE RISK OF UNINTENTIONAL STARTING.** Make sure switch is in "OFF" position before plugging in power cord. In the event of a power failure, move switch to the "OFF" position.
18. **NEVER STAND ON TOOL.** Serious injury could occur if the tool is tipped or if the cutting tool is accidentally contacted.
19. **CHECK DAMAGED PARTS.** Before further use of the tool, a guard or other part that is damaged should be carefully checked to ensure that it will operate properly and perform its intended function – check for alignment of moving parts, binding of moving parts, breakage of parts, mounting, and any other conditions that may affect its operation. A guard or other part that is damaged should be properly repaired or replaced.
20. **DIRECTION OF FEED.** Feed work into a blade or cutter against the direction of rotation of the blade or cutter only.
21. **NEVER LEAVE TOOL RUNNING UNATTENDED. TURN POWER OFF.** Don't leave tool until it comes to a complete stop.
22. **STAY ALERT, WATCH WHAT YOU ARE DOING, AND USE COMMON SENSE WHEN OPERATING A POWER TOOL. DO NOT USE TOOL WHILE TIRED OR UNDER THE INFLUENCE OF DRUGS, ALCOHOL, OR MEDICATION.** A moment of inattention while operating power tools may result in serious personal injury.
23. **MAKE SURE TOOL IS DISCONNECTED FROM POWER SUPPLY** while motor is being mounted, connected or reconnected.
24. **THE DUST GENERATED** by certain woods and wood products can be injurious to your health. Always operate machinery in well ventilated areas and provide for proper dust removal. Use wood dust collection systems whenever possible.

SAVE THESE INSTRUCTIONS.

Refer to them often and use them to instruct others.

ADDITIONAL SAFETY RULES FOR FOR DRILL PRESSES

⚠ WARNING: READ ALL INSTRUCTIONS BEFORE OPERATING PRODUCT. FAILURE TO FOLLOW ALL INSTRUCTIONS LISTED BELOW MAY RESULT IN ELECTRIC SHOCK, FIRE AND OR SERIOUS INJURY.

1. **DO NOT OPERATE THIS TOOL UNTIL** it is assembled and installed according to the instructions.
2. **OBTAIN ADVICE from your supervisor, instructor, or another qualified person** if you are not familiar with the operation of this tool.
3. **FOLLOW ALL WIRING CODES** and recommended electrical connections.
4. **NEVER START THE MACHINE BEFORE CLEARING THE TABLE** of all objects (tools, scrap pieces, etc.).
5. **NEVER START THE MACHINE** with the drill bit, cutting tool, or sander against the workpiece.
6. **TIGHTEN ALL LOCK HANDLES** before starting the machine.
7. **USE ONLY DRILL BITS, CUTTING TOOLS, SANDING DRUMS, OR OTHER ACCESSORIES** that have shanks of 1/2in. in diameter or less.
8. **USE ONLY DRILL BITS, CUTTING TOOLS, OR SANDING DRUMS** that are not damaged.
9. **PROPERLY LOCK DRILL BIT, CUTTING TOOL, OR SANDING DRUM IN THE CHUCK** before operating this machine.
10. **USE RECOMMENDED SPEEDS** for all operations.
11. **AVOID AWKWARD OPERATIONS AND HAND POSITIONS** where a sudden slip could cause a hand to move into the cutting tool.
12. **KEEP ARMS, HANDS, AND FINGERS** away from the cutting tool.
13. **HOLD THE WORKPIECE FIRMLY AGAINST THE TABLE.** Do not attempt to drill a workpiece that does not have a flat surface against the table. Prevent the workpiece from rotating by clamping it to the table or by securing it against the drill press column.
14. **TURN THE MACHINE "OFF" AND WAIT FOR THE DRILL BIT, CUTTING TOOL, OR SANDER TO STOP TURNING** prior to cleaning the work area, removing debris, removing or securing workpiece, or changing the angle of the table. A moving drill bit, cutting tool, or sander can be dangerous.
15. **PROPERLY SUPPORT LONG OR WIDE** workpieces.
16. **NEVER PERFORM LAYOUT, ASSEMBLY,** or set-up work on the table/work area when the machine is running.
17. **TURN THE TOOL "OFF", disconnect the tool** from the power source before installing or removing accessories, before adjusting or changing set-ups, or when making repairs.
18. **DISCONNECT THE TOOL** from the power source, and clean the table/work area before leaving the tool. **LOCK THE SWITCH IN THE "OFF" POSITION** to prevent unauthorized use.
19. **ADDITIONAL INFORMATION** regarding the safe and proper operation of this tool is available from the Power Tool Institute, 1300 Summer Avenue, Cleveland, OH 44115-2851. Information is also available from the National Safety Council, 1121 Spring Lake Drive, Itasca, IL 60143-3201. Please also refer to the American National Standards Institute ANSI O1.1 Safety Requirements for Woodworking Machines and the U.S. Department of Labor OSHA 1910.213 Regulations.

SAVE THESE INSTRUCTIONS.

POWER CONNECTIONS

A separate electrical circuit should be used for your machines. This circuit should not be less than #12 wire and should be protected with a 20 Amp time lag fuse. If an extension cord is used, use only 3-wire extension cords which have 3-prong grounding type plugs and matching receptacle which will accept the machine's plug. Before connecting the machine to the power line, make sure the switch (s) is in the "OFF" position and be sure that the electric current is of the same characteristics as indicated on the machine. All line connections should make good contact. Running on low voltage will damage the machine.

⚠ WARNING: SHOCK HAZARD. DO NOT EXPOSE THE MACHINE TO RAIN OR OPERATE THE MACHINE IN DAMP LOCATIONS.

GROUNDING INSTRUCTIONS

⚠ WARNING: SHOCK HAZARD. THIS MACHINE MUST BE GROUNDED WHILE IN USE TO PROTECT THE OPERATOR FROM ELECTRIC SHOCK. Your machine is wired for 120 Volt, 60 HZ alternating current. Before connecting the machine to the power source, make sure the switch is in the "OFF" position.

1. All grounded, cord-connected machines:

In the event of a malfunction or breakdown, grounding provides a path of least resistance for electric current to reduce the risk of electric shock. This machine is equipped with an electric cord having an equipment-grounding conductor and a grounding plug. The plug must be plugged into a matching outlet that is properly installed and grounded in accordance with all local codes and ordinances.

Do not modify the plug provided - if it will not fit the outlet, have the proper outlet installed by a qualified electrician.

Improper connection of the equipment-grounding conductor can result in risk of electric shock. The conductor with insulation having an outer surface that is green with or without yellow stripes is the equipment-grounding conductor. If repair or replacement of the electric cord or plug is necessary, do not connect the equipment-grounding conductor to a live terminal.

Check with a qualified electrician or service personnel if the grounding instructions are not completely understood, or if in doubt as to whether the machine is properly grounded.

Use only 3-wire extension cords that have 3-prong grounding type plugs and matching 3-conductor receptacles that accept the machine's plug, as shown in Fig. A.

Repair or replace damaged or worn cord immediately.

2. Grounded, cord-connected machines intended for use on a supply circuit having a nominal rating less than 150 volts:

If the machine is intended for use on a circuit that has an outlet that looks like the one illustrated in Fig. A, the machine will have a grounding plug that looks like the plug illustrated in Fig. A. A temporary adapter, which looks like the adapter illustrated in Fig. B, may be used to connect this plug to a matching 2-conductor receptacle as shown in Fig. B if a properly grounded outlet is not available. The temporary adapter should be used only until a properly grounded outlet can be installed by a qualified electrician. The green-colored rigid ear, lug, and the like, extending from the adapter must be connected to a permanent ground such as a properly grounded outlet box. Whenever the adapter is used, it must be held in place with a metal screw.

NOTE: In Canada, the use of a temporary adapter is not permitted by the Canadian Electric Code.

⚠ WARNING: SHOCK HAZARD. IN ALL CASES, MAKE CERTAIN THE RECEPTACLE IN QUESTION IS PROPERLY GROUNDED. IF YOU ARE NOT SURE HAVE A QUALIFIED ELECTRICIAN CHECK THE RECEPTACLE.

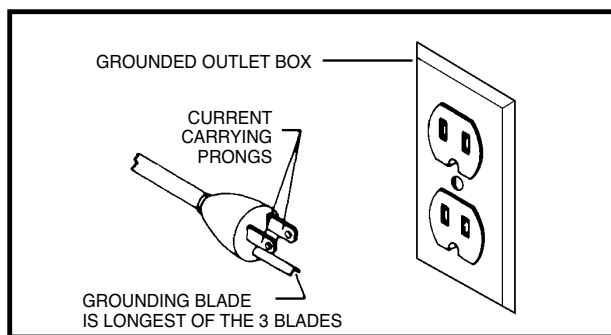


Fig. A

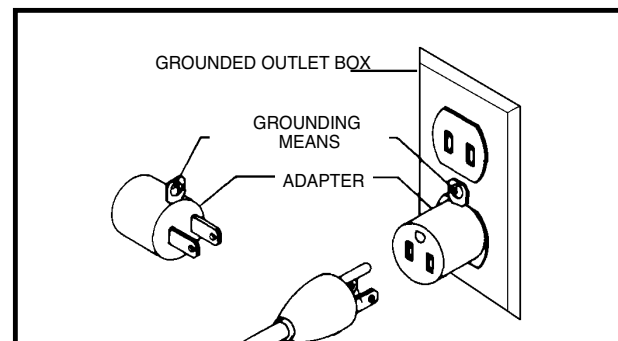


Fig. B

EXTENSION CORDS

Use proper extension cords. Make sure your extension cord is in good condition and is a 3-wire extension cord which has a 3-prong grounding type plug and matching receptacle which will accept the machine's plug. When using an extension cord, be sure to use one heavy enough to carry the current of the machine. An undersized cord will cause a drop in line voltage, resulting in loss of power and overheating. Fig. C, shows the correct gauge to use depending on the cord length. If in doubt, use the next heavier gauge. The smaller the gauge number, the heavier the cord.

MINIMUM GAUGE EXTENSION CORD			
RECOMMENDED SIZES FOR USE WITH STATIONARY ELECTRIC MACHINES			
Ampere Rating	Volts	Total Length of Cord in Feet	Gauge of Extension Cord
0-6	120	up to 25	18 AWG
0-6	120	25-50	16 AWG
0-6	120	50-100	16 AWG
0-6	120	100-150	14 AWG
6-10	120	up to 25	18 AWG
6-10	120	25-50	16 AWG
6-10	120	50-100	14 AWG
6-10	120	100-150	12 AWG
10-12	120	up to 25	16 AWG
10-12	120	25-50	16 AWG
10-12	120	50-100	14 AWG
10-12	120	100-150	12 AWG
12-16	120	up to 25	14 AWG
12-16	120	25-50	12 AWG
12-16	120	GREATER THAN 50 FEET NOT RECOMMENDED	

Fig. C

OPERATING INSTRUCTIONS

FOREWORD

The BDDP100 is a 10 in. bench drill press with a 3.2 amp motor, and a flexible work lamp. The BDDP100 can handle most types of drill press operations.

UNPACKING AND CLEANING

Carefully unpack the machine and all loose items from the shipping container(s). Remove the protective coating from all unpainted surfaces. This coating may be removed with a soft cloth moistened with kerosene (do not use acetone, gasoline or lacquer thinner for this purpose). After cleaning, cover the unpainted surfaces with a good quality household floor paste wax.

NOTICE: THE MANUAL COVER PHOTO ILLUSTRATES THE CURRENT PRODUCTION MODEL. ALL OTHER ILLUSTRATIONS ARE REPRESENTATIVE ONLY AND MAY NOT DEPICT THE ACTUAL COLOR, LABELING OR ACCESSORIES AND MAY BE INTENDED TO ILLUSTRATE TECHNIQUE ONLY.

DRILL PRESS PARTS

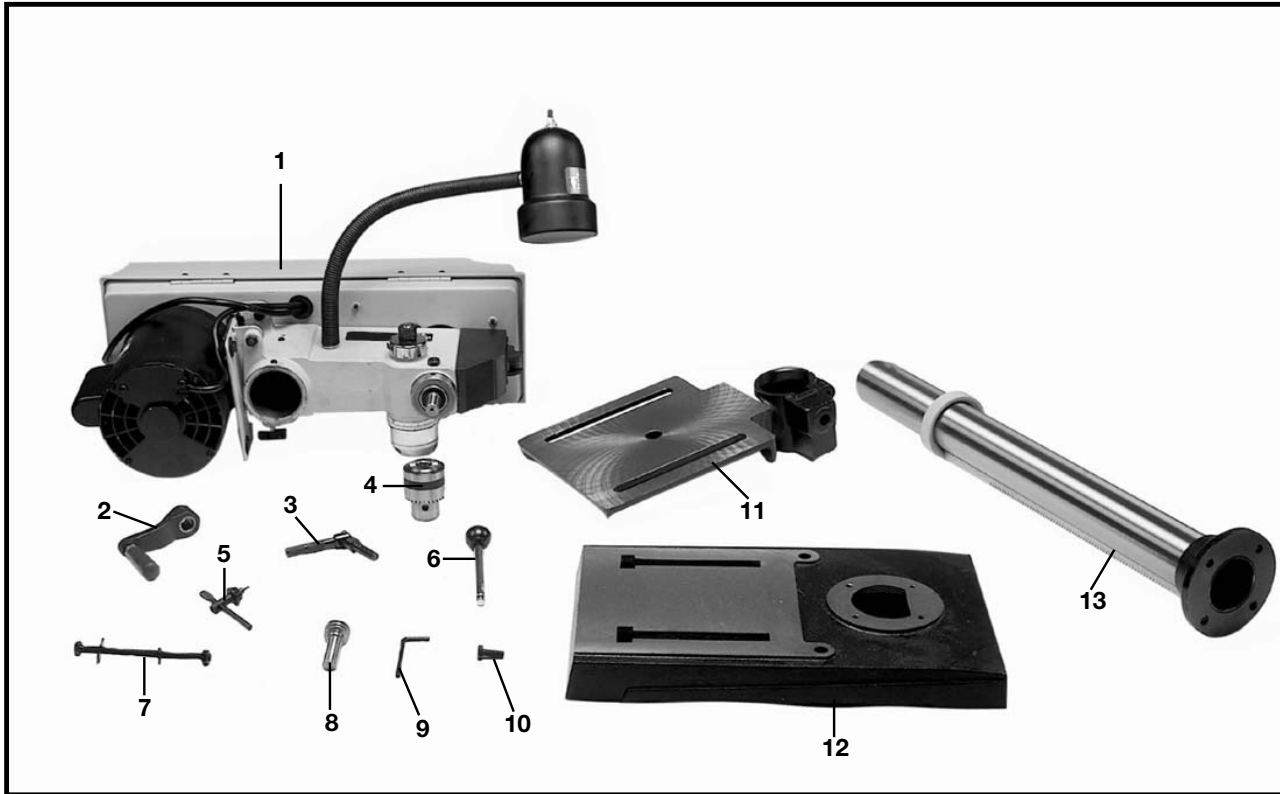


Fig. 2

- 1 - Drill Press Head and Motor
- 2 - Table Raising and Lowering Handle
- 3 - Table Clamp
- 4 - Chuck
- 5 - Chuck Key
- 6 - Pinon Shaft Handles (3)
- 7 - M8x1.25x125mm Carriage Head Screws (2), M8 Flat Washers (2), M8.1 Lock Washers (2), M8x1.25 Hex Nuts (2) (for fastening the base to a supporting surface)
- 8 - Worm Gear for Table Raising and Lowering
- 9 - Allen Wrenches (2)
- 10 - M8x1.25x25mm Hex Head Cap Screws (4)
- 11 - Table
- 12 - Base
- 13 - Column, Base Flange and Rack

ASSEMBLY

⚠ WARNING: For your own safety, do not connect the machine to the power source until the machine is completely assembled and you read and understand the entire instruction manual.

ASSEMBLY TOOLS REQUIRED

- 1.) 2 hex wrenches - supplied
- 2.) soft-tip hammer

ASSEMBLY TIME ESTIMATE

1 hour or less

1. Assemble the column (A) Fig. 3, to the base (B) using the four screws, three of which are shown at (C). Loosen set screw (D) and remove ring (E) and raising rack (F).

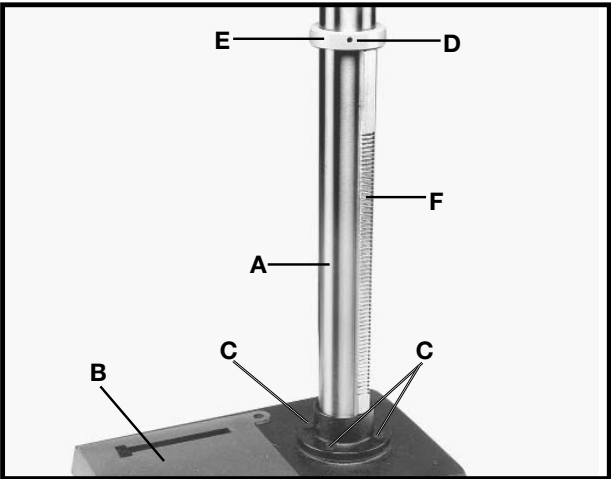


Fig. 3

2. Make certain worm gear (G) Figs. 4 and 5, is in place in table bracket (H) as shown.

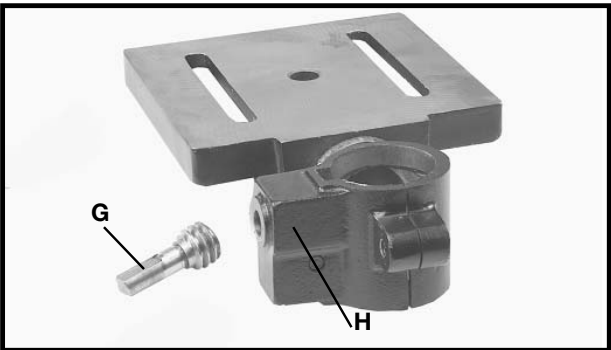


Fig. 4

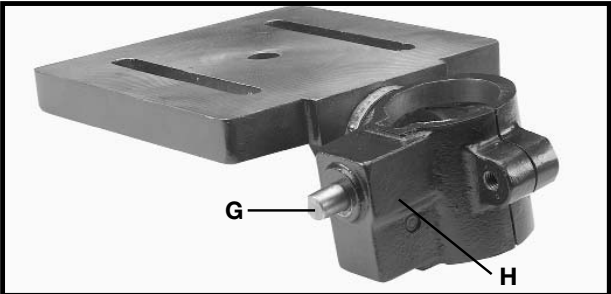


Fig. 5

3. Insert raising rack (F) Fig. 6, which was removed in **STEP 1**, into groove in table bracket making sure teeth of worm gear (G) located inside table bracket are engaged with teeth of raising rack (F).

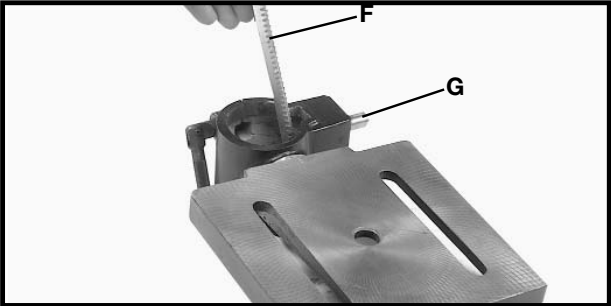


Fig. 6

4. Slide raising rack (F) Fig. 7, table and table bracket onto drill press column, as shown. Make sure bottom of raising rack (F) Fig. 8, is inside the flange (J) on drill press base.

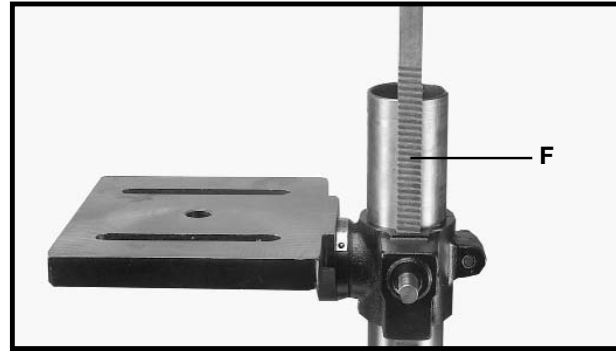


Fig. 7

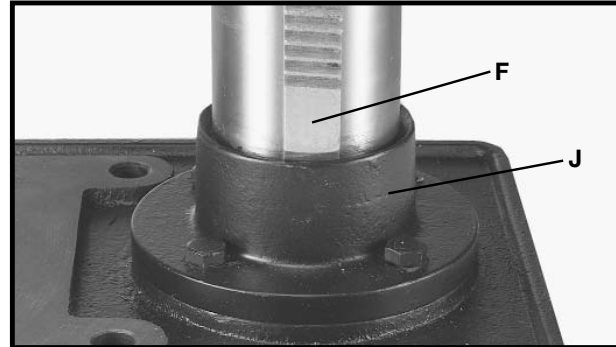


Fig. 8

5. Re-assemble ring (E) Fig. 9, which was removed in **STEP 1. IMPORTANT:** Bottom of ring (E) **MUST NOT** be pushed all the way down onto top of raising rack (F). **MAKE SURE** top of raising rack (F) is under bottom of ring (E) and that there is enough clearance to allow rack (F) to rotate around the column. **THEN TIGHTEN SET SCREW (D) BEING CAREFUL NOT TO OVERTIGHTEN.**

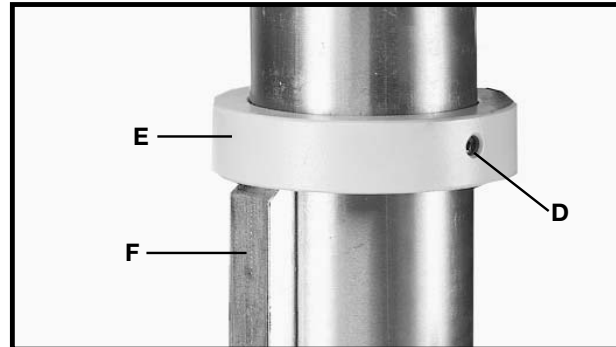


Fig. 9

6. Assemble table raising and lowering handle (K) Fig. 10, to worm gear shaft (G) and tighten screw (L) against flat on shaft.

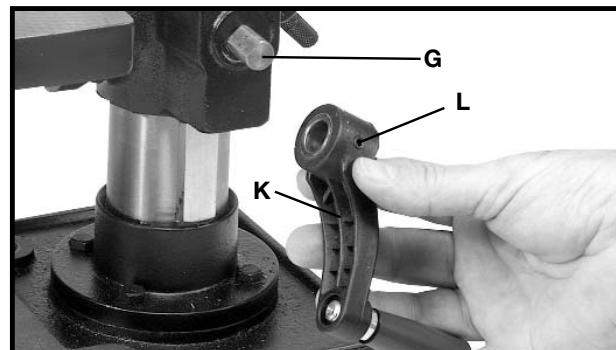


Fig. 10

7. Thread stud on clamp handle (M) Fig. 12, into hole in rear of table bracket, as shown.

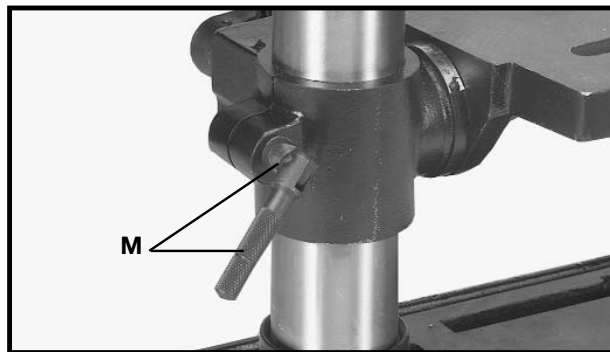


Fig. 12

8. Place the drill press head (N) Fig. 13, onto the column as far as it will go. Align head (A) Fig. 13A, to table (B), and base (C). Tighten the two head locking screws (O) Fig. 13, with wrench supplied.

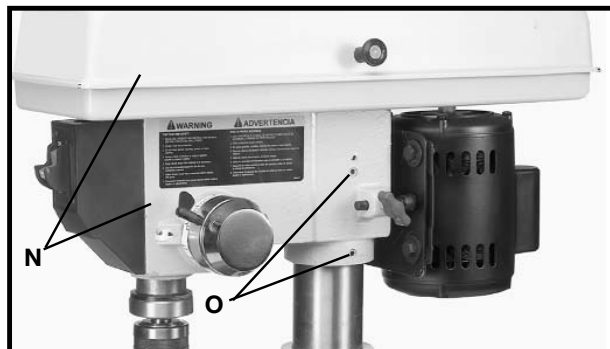


Fig. 13

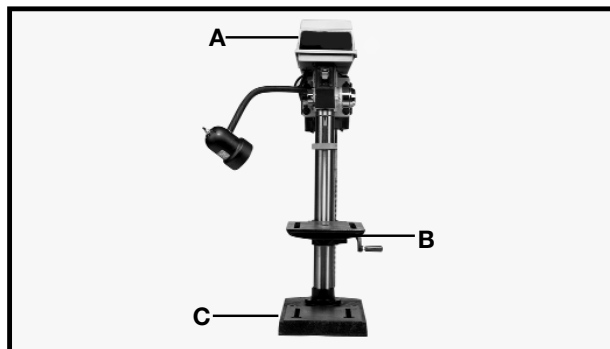


Fig. 13A

9. Thread the three pinion shaft handles (P) Fig. 14, into the three tapped holes located in the pinion shaft, as shown.

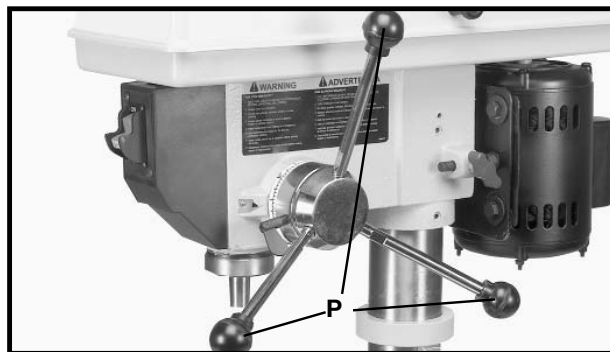


Fig. 14

10. **IMPORTANT:** Make certain the spindle taper (Q) Fig. 15, and tapered hole in chuck (R) are clean and free of any grease, lacquer or rust preventive coatings. **NOTE:** Household oven cleaner can effectively remove any sub-stance from the spindle and chuck; however, carefully follow the manufacturer's safety rules concerning its use.

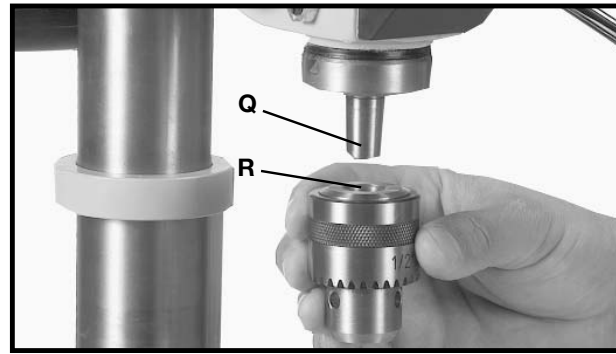


Fig. 15

11. **IMPORTANT:** Open the chuck jaws as wide as possible by turning the chuck sleeve (S) Fig. 16.

12. Holding chuck on taper of spindle, tap with a soft tip hammer (T) or a block of wood and hammer to set chuck, as shown in Fig. 16. **IMPORTANT:** To avoid damage to the chuck, **NEVER** drive the chuck onto the spindle with a metal hammer.

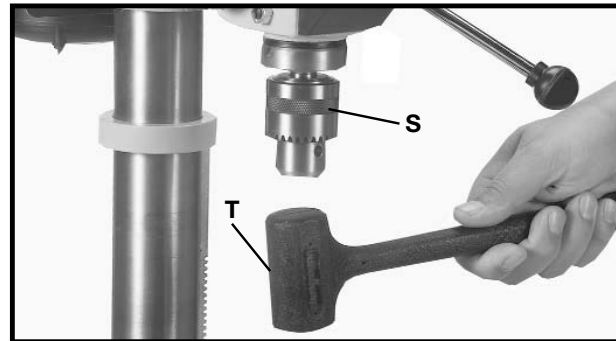


Fig. 16

FASTENING DRILL PRESS TO SUPPORTING SURFACE

If during operation there is any tendency for the machine to tip over, slide or walk on the supporting surface, the machine base must be secured to the supporting surface with a M8x1.25x125mm carriage head screw, 8.5mm flat washer, 8.5mm lock washer, M8x1.25 hex nut, through the two holes (A) Fig. 17, located in the machine base.

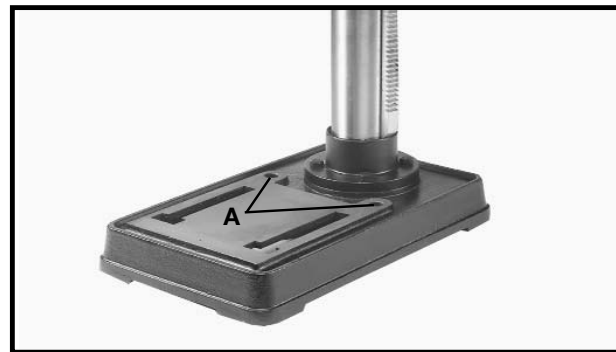


Fig. 17

OPERATING CONTROLS AND ADJUSTMENTS

STARTING AND STOPPING DRILL PRESS

The switch (A) Fig. 18, is located on the front of the drill press head. To turn the drill press "ON" move the switch up to the "ON" position. To turn the drill press "OFF" move the switch down to the "OFF" position.

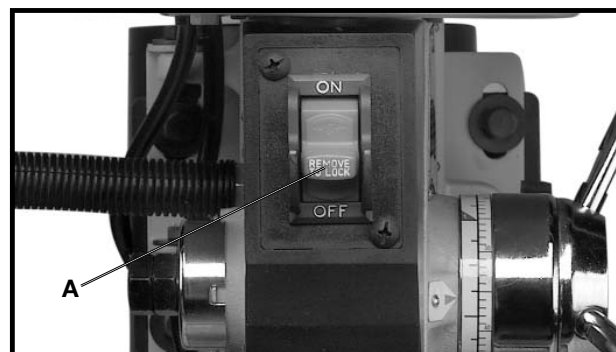


Fig. 18

LOCKING SWITCH IN THE “OFF” POSITION

IMPORTANT: When the machine is not in use, the switch should be locked in the “OFF” position to prevent unauthorized use. This can be done by grasping the switch toggle (B) and pulling it out of the switch, as shown in Fig. 19. With the switch toggle (B) removed, the switch will not operate. However, should the switch toggle be removed while the drill press is operating, the switch can be turned “OFF” once, but cannot be restarted without inserting the switch toggle (B).

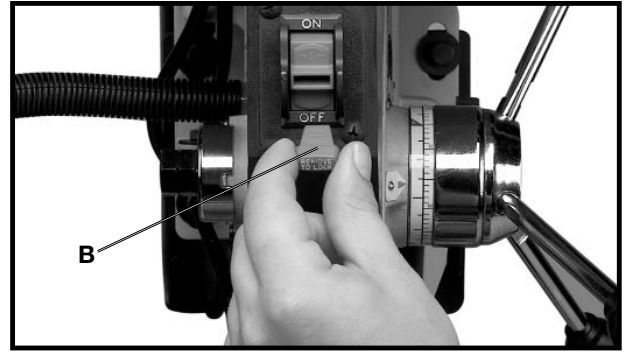


Fig. 19

FLEXIBLE LAMP

⚠ WARNING: The flexible lamp operates independently of the drill press. To turn the lamp “ON” and “OFF”, rotate switch (A) Fig. 19A.

To reduce the risk of fire, use 40 watt or less, 120 volt, reflector track type light bulb (not supplied). A standard household light bulb should not be used. The reflector track type light bulb should not extend below the lamp shade.

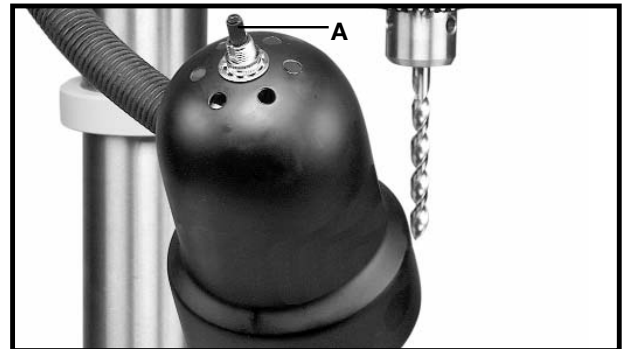


Fig. 19A

TABLE ADJUSTMENTS

1. The table can be raised or lowered on the drill press column by loosening the table clamp (A) Fig. 20, and turning the table raising and lowering handle (B) Fig. 21. After the table is at the desired height, tighten clamp (A) Fig. 20. **NOTE:** Final positioning of the drill press table should always be from the bottom to the top position.



Fig. 20

2. The table can be rotated 360 degrees on the column by loosening clamp (A) Fig. 20, rotate table to desired position and tighten clamp (A).

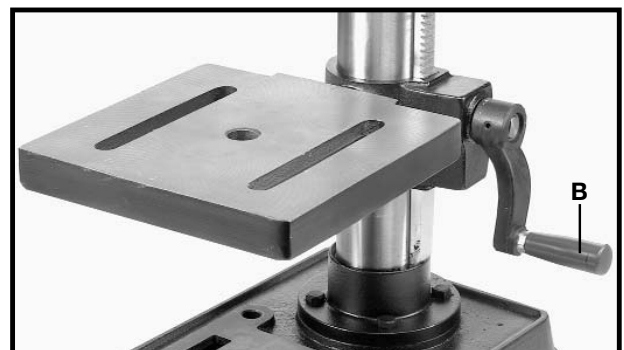


Fig. 21

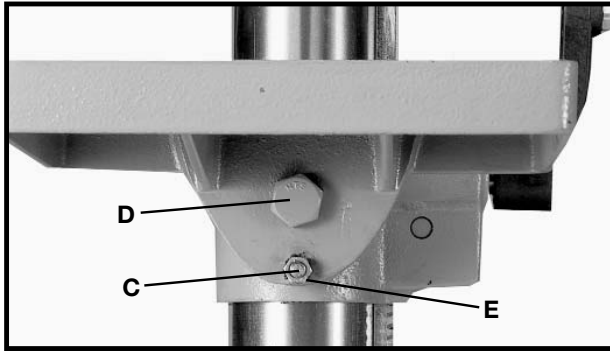


Fig. 22

3. The table can be tilted right or left by pulling out and removing table alignment pin (C) Fig. 22. **NOTE:** If pin (C) is difficult to remove, turn nut (E) clockwise to pull pin out of casting.

4. Fig. 23, illustrates the table alignment pin (C) removed. Loosen table locking bolt (D), tilt table to the desired angle and tighten bolt (D). When returning table to the level position, replace table alignment pin (C). This will position the table surface at 90 degrees to the spindle.

5. A tilt scale (E) Fig. 24, is provided on the table bracket casting to indicate the degree of tilt. A witness line and zero mark (F) are also provided on the table to line up with the scale (E).

SPINDLE SPEEDS

Five spindle speeds of 620, 1100, 1720, 2340 and 3100 RPM are available with your drill press. Fig. 25, illustrates which step on the motor and spindle pulleys the belt must be placed on to obtain the five speeds available.

CHANGING SPEEDS AND ADJUSTING BELT TENSION

1. **DISCONNECT MACHINE FROM POWER SOURCE.**

2. Lift up the belt and pulley guard (A) Fig. 26.

3. Release belt tension by loosening tension lock knob (B) Fig. 26, and pivoting the motor (D) toward the front of the drill press.

4. While holding the motor toward the front of the drill press, position the belt (C) on the desired steps of the motor and spindle pulleys, as shown in Fig. 26.

5. After the belt is positioned on the desired steps of the motor and spindle pulleys, move motor (D) Fig. 26, to the rear until the belt is properly tensioned and tighten tension lock knob (B). The belt should be just tight enough to prevent slipping. Excessive tension will reduce the life of the belt, pulleys and bearings. Correct tension is obtained when the belt (C) can be flexed about 1 in. out of line midway between the pulleys using light finger pressure.

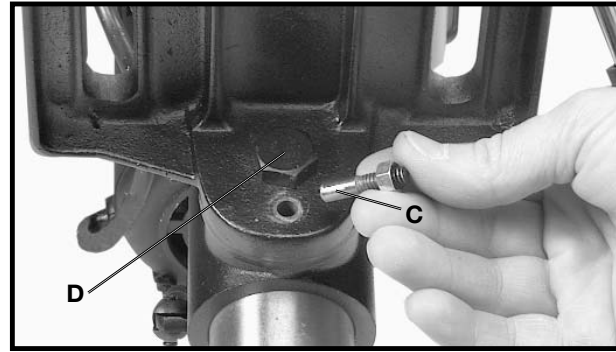


Fig. 23

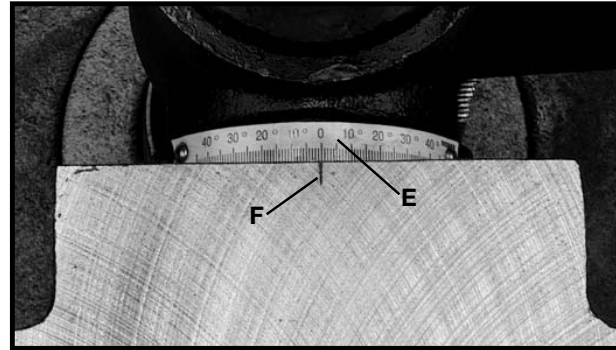


Fig. 24

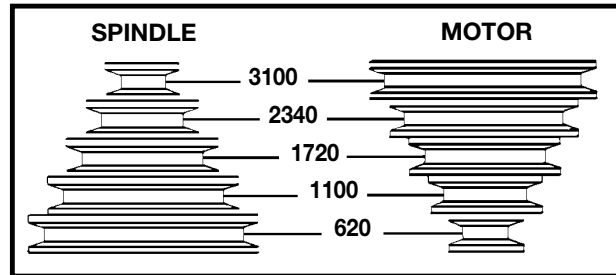


Fig. 25

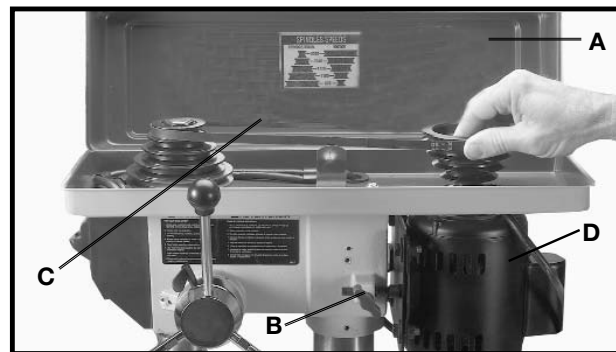


Fig. 26

DRILLING HOLES TO DEPTH

Where a number of holes are to be drilled to exactly the same depth, a depth stop is provided in the pinion shaft housing and is used as follows:

1. **DISCONNECT MACHINE FROM POWER SOURCE.**

2. Insert bit into chuck.
3. Lower the spindle until the pointer (C) Fig. 27, lines up with the mark on the scale (D) you wish the depth of the holes to be drilled. Then tighten lock screw (A). Return the spindle to the up position.
4. Place the material to be drilled on the drill press table. Raise the drill press table until the material to be drilled just touches the drill bit.
5. Drill a test hole to check the adjustment and readjust if necessary. All holes will then be drilled to the exact depth as indicated on scale (D) Fig. 27. **NOTE:** Scale (D) is calibrated in both inches and millimeters.

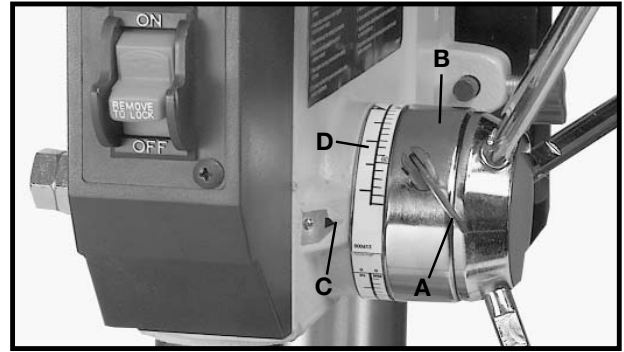


Fig. 27

ADJUSTING SPINDLE RETURN SPRING

The spindle is automatically returned to its upper most position when the handle is released. It is recommended that the handle be allowed to slowly return to the top position after each hole has been drilled in the material. This spring has been properly adjusted at the factory and should not be disturbed unless absolutely necessary. To adjust the return spring, proceed as follows:

1. **DISCONNECT MACHINE FROM POWER SOURCE.**

2. Loosen nuts (B) and (E) Fig. 28. Make sure spring housing (A) stays engaged with head casting.
3. While **FIRMLY HOLDING** spring housing (A) Fig. 29 pull out housing and rotate it until boss (D) is engaged with the next notch on the housing. Turn the housing counterclockwise to increase or clockwise to decrease spring tension. Turn nut (E) until it contacts spring housing (A), then back nut (E) out a 1/4 turn from spring housing (A). Tighten nut (B) against nut (E), to hold the housing in place. **IMPORTANT: Inside nut (E) should not contact spring housing (A) when tightened.**

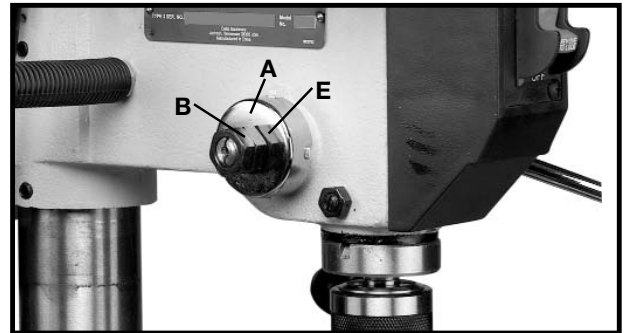


Fig. 28

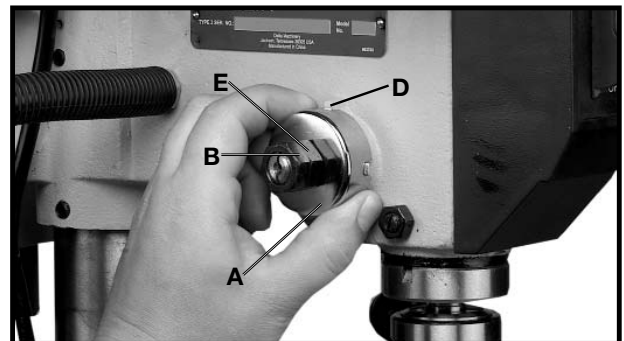


Fig. 29

OPERATION

Your drill press is to be used with drill bits with a shank of 1/2 in. or less in diameter. The following will give the inexperienced operator a start on common drill press operations. Use scrap material for practice to get a feel of the machine before attempting regular work.

⚠ WARNING: The use of accessories and attachments not recommended by Black and Decker may result in risk of injury.

IMPORTANT: When the workpiece is long enough it should always be positioned on the table with one end against the left side of the column, as shown in Fig. 30. This prevents the workpiece from rotating with the drill bit or cutting tool, causing damage to the workpiece or personal injury to the operator. If it is not possible to support the workpiece against the column, the workpiece should always be fastened to the table using clamps or a vise.

INSTALLING AND REMOVING DRILL BITS

1. **DISCONNECT MACHINE FROM POWER SOURCE.**
2. Insert smooth end of drill bit (A) Fig. 31, into chuck (B), as far as it will go, and then back the bit out 1/16 in., or up to the flutes for small bits.
3. Make certain that the drill bit (A) Fig. 31, is centered in the chuck (B) before tightening the chuck with the key (C).
4. Turn the chuck key (C) Fig. 31, clockwise to tighten and counterclockwise to loosen the chuck jaws.
5. Tighten all three chuck jaws to secure the drill bit sufficiently so that it does not slip while drilling.
6. **MAKE SURE** chuck key (C) Fig. 31, is removed from chuck before starting drill press. Your chuck key (C) is equipped with a self-ejecting pin (D) which helps minimize the hazard of the key being left in the chuck.



Fig. 30

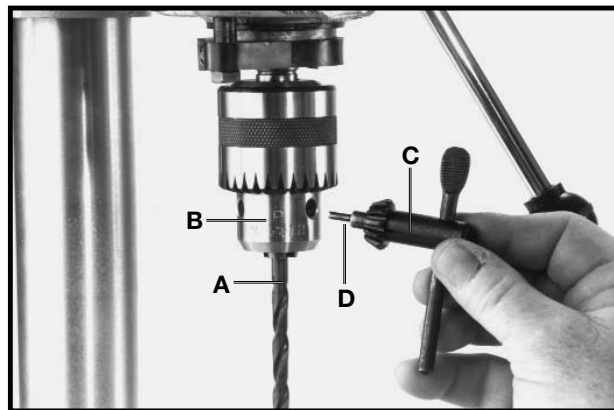


Fig. 31

TROUBLESHOOTING

CORRECT DRILLING SPEEDS

Factors which determine the best speed to use are: kind of material being worked, size of hole, type of drill or other cutter, and quality of cut desired.

⚠ WARNING: Use the recommended speed for the drill press bit and workpiece material.

BORING IN WOOD

Twist drills, although intended for metal drilling, may also be used for boring holes in wood. However, machine spur bits are generally preferred for working in wood; they cut a flat bottom hole and are designed for removal of wood chips. Do not use hand bits which have a screw tip; at drill press speeds they turn into the wood so rapidly as to lift the work off the table and whirl it.

For through boring, line up the table so that the bit will enter the center hole to avoid damage to the table. Scribe a vertical line on the front of the column and a matching mark on the table bracket and the drill press head, so that the table and drill press head can be clamped in the center position at any height.

Feed slowly when the bit is about to cut through the wood to prevent splintering the bottom face. Use a scrap piece of wood as a base block under the work; this helps to reduce splintering and protects the point of the bit.

DRILLING METAL

Use clamps to hold the work when drilling metal. The work should never be held in the bare hand; the drill bit may seize the work at any time, especially when breaking through the stock. If the piece is whirled out of the operator's hand, the operator may be injured. The drill bit will be broken if the work strikes the column.

The work must be clamped firmly while drilling; any tilting, twisting or shifting results not only in a rough hole, but also increases drill bit breakage. For flat work, lay the piece on a wooden base and clamp it firmly down against the table to prevent it from turning. If the piece is of irregular shape and cannot be laid flat on the table, it should be securely blocked and clamped.

Drill Press Speed Chart

Recommended Operating Speeds (in RPMs)

Accessory	Material					
	SOFTWOOD	HARDWOOD	ACRYLIC	BRASS	ALUMINUM	STEEL
TWIST DRILL BITS						
1/16 in - 3/16 in	3000	3000	2500	3000	3000	3000
1.5 mm - 5mm	3000	3000	2500	3000	3000	3000
1/4 in - 3/8 in	3000	1500	2000	1200	2500	1000
6mm - 10mm	3000	1500	2000	1200	2500	1000
7/16 in - 5/8 in	1500	750	1500	750	1500	600
11mm - 16mm	1500	750	1500	750	1500	600
11/16 in - 1 in.	750	500	NR	400	1000	NR
17mm - 27mm	750	500	NR	400	1000	NR
BRAD-POINT BITS						
1/8 in	1800	1200	1500	NR	NR	NR
1/4 in	1800	1000	1500	NR	NR	NR
3/8 in	1800	750	1500	NR	NR	NR
1/2 in	1800	750	1000	NR	NR	NR
5/8 in	1800	500	750	NR	NR	NR
3/4 in	1400	250	750	NR	NR	NR
7/8 in	1200	250	500	NR	NR	NR
1 in	1000	250	200	NR	NR	NR
FORSTNER BITS						
1/4 in - 3/8 in	2400	700	250	NR	NR	NR
1/2 in - 5/8 in	2400	500	250	NR	NR	NR
3/4 in - 1 in	1500	500	250	NR	NR	NR
1 1/8 in - 1 1/4 in	1000	250	250	NR	NR	NR
1 3/8 in - 2 in	500	250	NR	NR	NR	NR
SPADE BITS						
1/4 in - 1/2 in	2000	1500	NR	NR	NR	NR
5/8 in - 1 in	1750	1500	NR	NR	NR	NR
1 1/8 in - 1 1/2 in	1500	1000	NR	NR	NR	NR
SPADE BITS WITH SPURS						
3/8 in - 1 in	2000	1800	500	NR	NR	NR

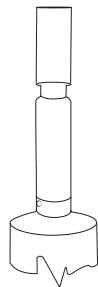
NR - Not Recommended



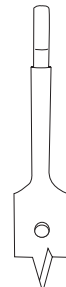
TWIST DRILL BITS



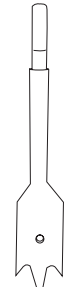
BRAD-POINT BITS



FORSTNER BITS



SPADE BITS



SPADE BITS (W/SPURS)

A14779 - 10-13-05 Rev. B

ACCESSORIES

Recommended accessories for use with your tool are available from your local dealer or authorized service center. If you need assistance regarding accessories, please call: **1-800-544-6986**.

⚠ WARNING: The use of any accessory not recommended for use with this tool could be hazardous.

MAINTENANCE

Use only mild soap and damp cloth to clean the tool. Never let any liquid get inside the tool; never immerse any part of the tool into a liquid.

IMPORTANT: To assure product SAFETY and RELIABILITY, repairs, maintenance and adjustment (other than those listed in this manual) should be performed by authorized service centers or other qualified service organizations, always using identical replacement parts.

TROUBLESHOOTING

FAILURE TO START

Should your machine fail to start, check to make sure the prongs on the cord plug are making good contact in the outlet. Also, check for blown fuses or open circuit breakers in the line. For assistance with your machine, please call: **1-800-544-6986**.

SERVICE INFORMATION

All Black & Decker Service Centers are staffed with trained personnel to provide customers with efficient and reliable power tool service. Whether you need technical advice, repair, or genuine factory replacement parts, contact the Black & Decker location nearest you. To find your local service location, refer to the yellow page directory under "Tools—Electric" or call: **1-800-544-6986** or visit **www.blackanddecker.com**

FULL TWO-YEAR HOME USE WARRANTY

Black & Decker (U.S.) Inc. warrants this product for two years against any defects in material or workmanship. The defective product will be replaced or repaired at no charge in either of two ways.

The first, which will result in exchanges only, is to return the product to the retailer from whom it was purchased (provided that the store is a participating retailer). Returns should be made within the time period of the retailer's policy for exchanges (usually 30 to 90 days after the sale). Proof of purchase may be required. Please check with the retailer for their specific return policy regarding returns that are beyond the time set for exchanges.

The second option is to take or send the product (prepaid) to a Black & Decker owned or authorized Service Center for repair or replacement at our option. Proof of purchase may be required. Black & Decker owned and authorized Service Centers are listed under "Tools-Electric" in the yellow pages of the phone directory and on our website **www.blackanddecker.com**.

This warranty does not apply to accessories. This warranty gives you specific legal rights and you may have other rights which vary from state to state or province to province. Should you have any questions, contact the manager of your nearest Black & Decker Service Center. This product is not intended for commercial use.

FREE WARNING LABEL REPLACEMENT: If your warning labels become illegible or are missing, call **1-800-544-6986** for a free replacement.

Imported by
Black & Decker (U.S.) Inc.,
701 E. Joppa Rd.
Towson, MD 21286 U.S.A.



See 'Tools-Electric'
– Yellow Pages –
for Service & Sales





BLACK & DECKER®

TALADRADORA DE BANCO DE 254 MM

MANUAL DE INSTRUCCIONES



CATÁLOGO N° BDDP100

¡GRACIAS POR ELEGIR BLACK & DECKER!
VAYA A WWW.BLACKANDDECKER.COM/NEWOWNER
PARA REGISTRAR SU NUEVO PRODUCTO.

**ANTES DE DEVOLVER ESTE PRODUCTO POR CUALQUIER MOTIVO, LLAME AL
(55)5326-7100**

ANTES DE LLAMAR, TENGA EL NÚMERO DE CATÁLOGO Y EL CÓDIGO DE FECHA PREPARADOS. EN LA MAYORÍA DE LOS CASOS, UN REPRESENTANTE DE BLACK & DECKER PUEDE RESOLVER EL PROBLEMA POR TELÉFONO. SI DESEA REALIZAR UNA SUGERENCIA O COMENTARIO, LLÁMENOS. SU OPINIÓN ES FUNDAMENTAL PARA BLACK & DECKER.

CONSERVE ESTE MANUAL PARA FUTURAS CONSULTAS

PAUTAS DE SEGURIDAD/DEFINICIONES

Es importante que lea y comprenda este manual. La información que contiene se relaciona con la protección de SU SEGURIDAD y la PREVENCIÓN DE PROBLEMAS. Los símbolos que siguen se utilizan para ayudarlo a reconocer esta información.

⚠ PELIGRO: indica una situación de peligro inminente que, si no se evita, provocará la muerte o lesiones graves.

⚠ ADVERTENCIA: indica una situación de peligro potencial que, si no se evita, provocará la muerte o lesiones graves.

⚠ PRECAUCIÓN: indica una situación de peligro potencial que, si no se evita, provocará lesiones leves o moderadas.

PRECAUCIÓN: utilizado sin el símbolo de alerta de seguridad indica una situación de peligro potencial que, si no se evita, puede provocar daños en la propiedad.

⚠ ADVERTENCIA: Algunas partículas originadas al lijar, aserrar, amolar, taladrar y realizar otras actividades de construcción contienen productos químicos que producen cáncer, defectos de nacimiento y otros problemas reproductivos. Algunos ejemplos de estos productos químicos son:

- el plomo de las pinturas de base plomo,
- la sílice cristalina de ladrillos, cemento y otros productos de mampostería, y
- el arsénico y el cromo de la madera con tratamiento químico (CCA).

El riesgo derivado de estas exposiciones varía según la frecuencia con la que se realice este tipo de trabajo. Para reducir la exposición a estos productos químicos: se recomienda trabajar en áreas bien ventiladas y usar equipos de seguridad aprobados, como las máscaras para polvo especialmente diseñadas para filtrar las partículas microscópicas.

- Evite el contacto prolongado con las partículas de polvo originadas al lijar, aserrar, esmerilar, taladrar y realizar demás actividades de la construcción. Use indumentaria protectora y lave las áreas expuestas con agua y jabón. Evite que el polvo entre en la boca y en los ojos o se deposite en la piel, para impedir la absorción de productos químicos nocivos.

⚠ ADVERTENCIA: el uso de esta herramienta puede generar o dispersar partículas de polvo, que pueden causar lesiones respiratorias permanentes y graves u otras lesiones. Use siempre protección respiratoria aprobada por NIOSH/OSHA (Instituto Nacional de Salud y Seguridad Ocupacional de EE.UU./Administración de la Salud y Seguridad Ocupacional de EE.UU.) apropiada para la exposición al polvo. Aleje la cara y el cuerpo del contacto con las partículas.

⚠ PRECAUCIÓN: utilice la protección auditiva apropiada durante el uso. En determinadas condiciones y según el periodo de uso, el ruido provocado por este producto puede originar pérdida de audición.

NORMAS GENERALES DE SEGURIDAD



⚠ ADVERTENCIA: LEA TODAS LAS INSTRUCCIONES ANTES DE OPERAR EL PRODUCTO. EL INCUMPLIMIENTO DE LAS INSTRUCCIONES ENUMERADAS A CONTINUACIÓN PUEDE PROVOCAR UNA DESCARGA ELÉCTRICA, UN INCENDIO O LESIONES GRAVES.

INSTRUCCIONES IMPORTANTES SOBRE SEGURIDAD

El trabajo de carpintería puede ser peligroso si no se siguen procedimientos operativos seguros y adecuados. Al igual que con cualquier máquina, el uso de este producto implica determinados riesgos. Si utiliza la máquina con la precaución necesaria, reducirá considerablemente la posibilidad de lesiones personales. No obstante, si no se presta la debida atención a las medidas normales de seguridad o se las ignora, el operador puede lesionarse. El uso del equipo de seguridad, como protectores, varas para empujar, plantillas de guía, tablas de canto biselado, anteojos, máscaras para polvo y protección auditiva puede reducir las posibles lesiones personales. Pero ni siquiera el mejor protector puede compensar una mala decisión, un descuido o la falta de atención. Utilice siempre el sentido común y tenga precaución en el taller. Si un procedimiento parece peligroso, no lo intente. Busque un procedimiento alternativo que le parezca más seguro. **RECUERDE:** su seguridad personal es su responsabilidad.

1. **PARA SU PROPIA SEGURIDAD, LEA EL MANUAL DE INSTRUCCIONES ANTES DE UTILIZAR LA HERRAMIENTA.** Aprenda los usos y limitaciones de la herramienta al igual que los peligros particulares que implican su uso.
2. **MANTENGA LOS RESGUARDOS EN SU SITIO** y en buen estado.
3. **SIEMPRE USE PROTECCION OCULAR.** Utilice gafas de seguridad (deben cumplir con ANSI Z87.1). Las gafas comunes sólo tienen lentes resistentes al impacto; no son gafas de seguridad. También haga uso de una careta o máscara si la operación de corte es polvorosa.
4. **QUITE LAS CLAVIJAS Y LLAVES DE AJUSTE.** Acostúmbrese a revisar que las clavijas y llaves de ajuste hayan sido quitadas de la herramienta antes de encenderla.
5. **MANTENGA LIMPIA SU AREA DE TRABAJO.** Las zonas y banquillos desordenados propician accidentes.
6. **NO LA UTILICE EN UN ENTORNO PELIGROSO.** No utilice herramientas eléctricas en sitios húmedos o mojados. No las exponga a la lluvia. Mantenga el área de trabajo bien alumbrada.
7. **MANTENGA A LOS NIÑOS Y VISITANTES ALEJADOS.** Todos los niños y visitantes deben ser alejados a una distancia segura del área de trabajo.
8. **HAGA SU TALLER A PRUEBA DE NIÑOS** con cerrojos, interruptores maestros o quitando las llaves de encendido.
9. **NO FUERCE LA HERRAMIENTA.** Realizará su trabajo mejor y será más segura a la tasa de operación para la cual fue diseñada.
10. **UTILICE LA HERRAMIENTA DEBIDA.** No fuerce la herramienta o aditamento a realizar una labor para la cual no fue diseñada.
11. **UTILICE LA INDUMENTARIA DEBIDA.** No vista ropa suelta, guantes, corbatas, sortijas, pulseras u otras prendas que puedan quedar atrapadas en las piezas móviles. Se recomienda el uso de calzado antiderrapante. Utilice gorros protectivos para contener el cabello largo.

12. **ASEGURE LA LABOR.** Utilice abrazaderas o un tornillo para detener su trabajo cuando sea práctico. Es más seguro que el uso de su mano y le deja ambas manos libres para usar la herramienta.
13. **NO SE EXTIENDA DEMASIADO.** Mantenga el equilibrio y posición establecida en todo momento.
14. **MANTENGA SUS HERRAMIENTAS EN BUEN ESTADO.** Mantenga las herramientas afiladas y limpias para un rendimiento mejor y más seguro. Siga las instrucciones para el engrase y cambio de accesorios.
15. **DESCONECTE LAS HERRAMIENTAS** antes de rendir servicio y cuando cambie accesorios tales como hojas, brocas, cuchillas, etc.
16. **UTILICE LOS ACCESORIOS RECOMENDADOS.** El uso de accesorios que no sean recomendados por Black & Decker puede resultar en peligros o riesgos de lesionamiento personal.
17. **REDUZCA EL RIESGO DE ARRANQUES NO INTENCIONALES.** Asegúrese de que el interruptor esté en la posición de APAGADO antes de enchufar el cordón de potencia. En el acontecimiento de un apagón, mueva el interruptor al "OFF" coloque.
18. **NO SE PARE JAMAS SOBRE LA HERRAMIENTA.** Pueden sobrevenir heridas graves si la herramienta se inclina o si se hace contacto accidental con el instrumento cortante.
19. **REVISE LA PIEZAS DAÑADAS.** Antes de proseguir con el uso de la herramienta, un resguardo u otra pieza que esté dañada debe ser revisada cuidadosamente para asegurar que funcionará correctamente y realizará su función propuesta—revise el alineamiento de las piezas móviles, las ataduras de las piezas móviles, el montaje y cualquier otra condición que pueda afectar su operación. Un resguardo o cualquier otra pieza dañada debe ser reparada debidamente o repuesta.
20. **DIRECCION DE ALIMENTACION.** Alimente el trabajo hacia la hoja o cuchilla contra la dirección de rotación de la hoja o la cuchilla solamente.
21. **JAMAS DEJE LA HERRAMIENTA FUNCIONANDO SIN ATENCION. APAGUE LA ENERGIA.** No se separe de la herramienta hasta que ésta se haya detenido por completo.
22. **MANTÉNGASE ALERTA; PRESTE ATENCIÓN A LO QUE ESTÉ HACIENDO Y PROCEDA LOGICAMENTE CUANDO OPERE UNA HERRAMIENTA ELÉCTRICA. NO USE LA HERRAMIENTA CUANDO ESTE CANSADO NI BAJO LA INFLUENCIA DE MEDICACION, ALCOHOL O DROGAS.** Un momento de inatención cuando esté usando una herramienta eléctrica puede resultar en una grave herida personal.
23. **ASEGURESE DE QUE LA HERRAMIENTA ESTE DESCONECTADA DE LA FUENTE DE ENERGIA** mientras que se esté montando, conectando o reconectando el motor.
24. **EL POLVO GENERADO** por ciertas maderas y productos de madera puede ser perjudicial a su salud. Siempre opere la maquinaria en áreas bien ventiladas y proporcione la remoción de polvo debida. Utilice sistemas de coleccion de polvo de madera siempre que sea posible.

GUARDE ESTAS INSTRUCCIONES.

Refiérase a ellas con frecuencia y utilícelas para adiestrar a otros.

REGLAS ADICIONALES DE SEGURIDAD PARA LAS TALADRADORAS

⚠ ADVERTENCIA: LEA TODAS LAS INSTRUCCIONES ANTES DE OPERAR EL PRODUCTO. EL INCUMPLIMIENTO DE LAS INSTRUCCIONES ENUMERADAS A CONTINUACIÓN PUEDE PROVOCAR UNA DESCARGA ELÉCTRICA, UN INCENDIO O LESIONES GRAVES.

1. **NO UTILICE ESTA MÁQUINA** hasta que esté completamente montada e instalada de acuerdo con las instrucciones.
2. **OBTENGA ASESORAMIENTO** de su supervisor, instructor u otra persona calificada si no está completamente familiarizado con la utilización de esta máquina.
3. **SIGA TODOS LOS CÓDIGOS DE CABLEADO** y las conexiones eléctricas recomendadas.
4. **DESPEJE EL BANCO DE TODOS** los objetos (herramientas, restos de madera, etc.) antes de encender la máquina.
5. **NUNCA** arranque la máquina con la broca taladradora o la herramienta de corte en contacto con la pieza de trabajo.
6. **APRIETE** todos los mangos de fijación antes de arrancar la máquina.
7. **UTILICE ÚNICAMENTE** brocas taladradoras, cortadores, tambores de lijado y otros accesorios cuyo cuerpo mida 1/2 pulgada o menos.
8. **UTILICE SOLAMENTE** brocas taladradoras o herramientas de corte que no esten dañadas.
9. **FIJE** las brocas y las herramientas de corte en el mandril antes de utilizar la máquina.
10. **UTILICE** las velocidades recomendadas para el material de los accesorios de taladrado y el material de las piezas de trabajo.
11. **EVITE** las posiciones difíciles de las manos en las que un resbalón repentino podría hacer que una mano se mueva hasta la broca taladradora o la herramienta de corte.
12. **MANTENGA** las manos y los dedos alejados de la broca taladradora o la herramienta de corte.
13. **NO INTENTE** taladrar material que no tenga una superficie plana contra la mesa. **FIJE CON ABRAZADERAS LA PIEZA DE TRABAJO** o sujétela contra la columna para impedir que gire. Además, sujete con abrazaderas la pieza de trabajo cuando utilice una sierra perforadora o una herramienta de corte de más de 1/2 pulgada de diámetro.
14. **DETENGA** la taladradora siempre antes de quitar las piezas descartadas de la mesa.
15. **SOPORTE EL MATERIAL** a la altura de la mesa en el caso de piezas de trabajo grandes o anchas.
16. **NUNCA** realice trabajo de instalación, ensamblaje o preparación en la mesa mientras la máquina esté encendida.
17. **APAGUE LA MÁQUINA Y DESCONÉCTELA** de la fuente de alimentación antes de instalar o quitar accesorios, antes de ajustar o cambiar las preparaciones o al hacer reparaciones.
18. **APAGUE LA MÁQUINA**, desconéctela de la fuente de alimentación y limpie la mesa/área de trabajo antes de dejar la máquina. **BLOQUEE EL INTERRUPTOR EN LA POSICIÓN DE APAGADO** para impedir el uso no autorizado.
19. **HAY DISPONIBLE INFORMACIÓN ADICIONAL RELACIONADA CON LA UTILIZACIÓN SEGURA** y apropiada de esta herramienta a través del Instituto de Herramientas Mecánicas, Power Tool Institute, 1300 Summer Avenue, Cleveland, OH 44115-2851. También hay información disponible a través del Consejo Nacional de Seguridad, National Safety Council, 1121 Spring Lake Drive, Itasca, IL 60143-3201. Sirvase consultar los Requisitos de Seguridad para Máquinas de Elaboración de la Madera ANSI 01.1 del Instituto Nacional Americano de Normas (American National Standards Institute) y las normas OSHA 1910.213 del Departamento de Trabajo de los EE.UU.

GUARDE ESTAS INSTRUCCIONES.

CONEXIONES A LA FUENTE DE ALIMENTACIÓN

Debe utilizarse un circuito eléctrico independiente para las máquinas. Este circuito debe tener alambre de no menos del No. 12 y debe estar protegido con un fusible de acción retardada de 20 A. Si se utiliza un cordón de extensión, utilice únicamente cordones de extensión de tres alambres que tengan enchufes de tipo de conexión a tierra con tres terminales y un receptáculo coincidente que acepte el enchufe de la máquina. Antes de conectar la máquina a la línea de alimentación, asegúrese de que el interruptor(s) esté en la posición de apagado y cerciórese de que la corriente eléctrica tenga las mismas características que las que estén indicadas en la máquina. Todas las conexiones a la línea de alimentación deben hacer buen contacto. El funcionamiento a bajo voltaje dañará el máquina.

⚠ ADVERTENCIA: RIESGO DE DESCARGA ELÉCTRICA. NO EXPONGA LA MÁQUINA A LA LLUVIA NI LA UTILICE EN LUGARES HÚMEDOS.

INSTRUCCIONES DE CONEXIÓN A TIERRA

⚠ ADVERTENCIA: RIESGO DE DESCARGA ELÉCTRICA. ESTA MÁQUINA DEBE ESTAR CONECTADA A TIERRA MIENTRAS SE ESTÉ UTILIZANDO, PARA PROTEGER AL OPERADOR CONTRA LAS DESCARGAS ELÉCTRICAS. La máquina está cableada para corriente alterna de 120 V., 60 Hz. Antes de conectar la máquina a la fuente de alimentación, asegúrese de que el interruptor esté en la posición de apagado.

1. Todas las máquinas conectadas con cordón conectadas a tierra:

En caso de mal funcionamiento o avería, la conexión a tierra proporciona una ruta de resistencia mínima para la corriente eléctrica, con el fin de reducir el riesgo de descargas eléctricas. Esta máquina está equipada con un cordón eléctrico que tiene un conductor de conexión a tierra del equipo y un enchufe de conexión a tierra. El enchufe debe enchufarse en un tomacorriente coincidente que esté instalado y conectado a tierra adecuadamente, de acuerdo con todos los códigos y ordenanzas locales.

No modifique el enchufe suministrado. Si el enchufe no cabe en el tomacorriente, haga que un electricista calificado instale el tomacorriente apropiado.

La conexión inapropiada del conductor de conexión a tierra del equipo puede dar como resultado riesgo de descargas eléctricas. El conductor con aislamiento que tiene una superficie exterior de color verde con o sin franjas amarillas es el conductor de conexión a tierra del equipo. Si es necesario reparar o reemplazar el cordón eléctrico o el enchufe, no conecte el conductor de conexión a tierra del equipo a un terminal con corriente.

Consulte a un electricista competente o a personal de servicio calificado si no entiende completamente las instrucciones de conexión a tierra o si tiene dudas en cuanto a si la máquina está conectada a tierra apropiadamente.

Utilice únicamente cordones de extensión de tres alambres que tengan enchufes de tipo de conexión a tierra con tres terminales y receptáculos de tres conductores que acepten el enchufe de la máquina, tal como se muestra en la Fig. A.

Repare o reemplace inmediatamente los cordones dañados o desgastados.

2. Máquinas conectadas con cordón conectadas a tierra diseñadas para utilizarse en un circuito de alimentación que tenga una capacidad nominal de menos de 150 V:

Si la máquina está diseñada para utilizarse en un circuito que tenga un tomacorriente parecido al que se ilustra en la Fig. A, la máquina tendrá un enchufe de conexión a tierra que se parece al enchufe ilustrado en la Fig. A. Puede utilizarse un adaptador temporal, que se parece al adaptador ilustrado en la Fig. B, para conectar este enchufe a un receptáculo coincidente de dos conductores, tal como se muestra en la Fig. B, si no se dispone de un tomacorriente conectado a tierra apropiadamente. El adaptador temporal debe utilizarse solamente hasta que un electricista calificado pueda instalar un tomacorriente conectado a tierra apropiadamente. La orejeta, lengüeta, etc., rígida de color verde que sobresale del adaptador debe conectarse a una toma de tierra permanente, como por ejemplo una caja tomacorriente conectada a tierra adecuadamente. Siempre que se utilice un adaptador, debe sujetarse en su sitio con un tornillo de metal.

NOTA: En Canadá, el uso de un adaptador temporal no está permitido por el Código Eléctrico Canadiense.

⚠ ADVERTENCIA: RIESGO DE DESCARGA ELÉCTRICA. EN TODOS LOS CASOS, ASEGÚRESE DE QUE EL RECEPTÁCULO EN CUESTIÓN ESTÉ CONECTADO A TIERRA ADECUADAMENTE. SI NO ESTÁ SEGURO, HAGA QUE UN ELECTRICISTA CALIFICADO COMPRUEBE EL RECEPTÁCULO.

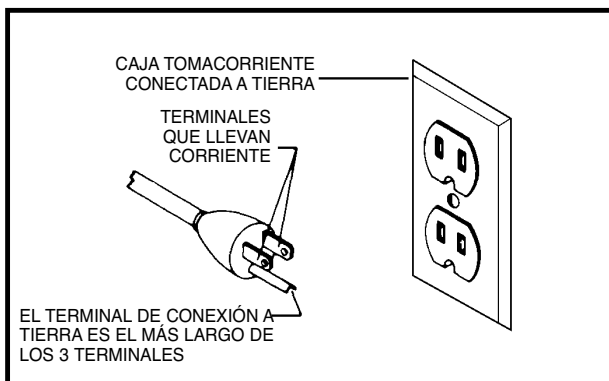


Fig. A

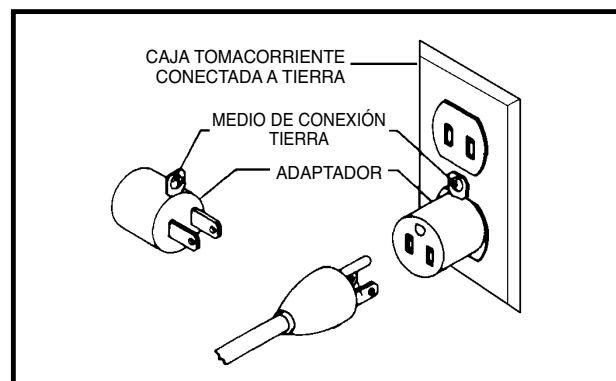


Fig. B

CORDONES DE EXTENSIÓN

Utilice cordones de extensión apropiados. Asegúrese de que el cordón de extensión esté en buenas condiciones y de que sea un cordón de extensión de tres alambres que tenga un enchufe de tipo de conexión a tierra con tres terminales y un receptáculo coincidente que acepte el enchufe de la máquina. Cuando utilice un cordón de extensión, asegúrese de emplear un cordón que sea lo suficientemente pesado como para llevar la corriente de la máquina. Un cordón de tamaño insuficiente causará una caída de la tensión de la línea eléctrica que dará como resultado pérdida de potencia y recalentamiento. En la Fig. C se muestra el calibre correcto que debe utilizarse dependiendo de la longitud del cordón. En caso de duda, utilice el siguiente calibre más pesado. Cuanto más pequeño sea el número de calibre, más pesado será el cordón.

CORDÓN DE EXTENSIÓN DE CALIBRE MÍNIMO			
TAMAÑOS RECOMENDADOS PARA USO CON MÁQUINAS ELÉCTRICAS ESTACIONARIAS			
Capacidad Nominal En Amperios	Voltios	Longitud Total Del Cordon En Pies	Calibre Del Cordon De Extensión
0-6	120	Hasta 25	18 AWG
0-6	120	25-50	16 AWG
0-6	120	50-100	16 AWG
0-6	120	100-150	14 AWG
6-10	120	Hasta 25	18 AWG
6-10	120	25-50	16 AWG
6-10	120	50-100	14 AWG
6-10	120	100-150	12 AWG
10-12	120	Hasta 25	16 AWG
10-12	120	25-50	16 AWG
10-12	120	50-100	14 AWG
10-12	120	100-150	12 AWG
12-16	120	Hasta 25	14 AWG
12-16	120	25-50	12 AWG
12-16	120	NO SE RECOMIENDA LONGITUDES MAYOR DE 50 PIES	

Fig. C

INSTRUCCIONES DE FUNCIONAMIENTO

PREFACIO

El BDDP100 modelo es una prensa del taladro del banco del 10" con un motor de 1/4 c. v.. El BDDP100 modelo puede manejar la mayoría de los tipos de operaciones de la prensa del taladro.

DESEMPAQUETADO Y LIMPIEZA

Desempaque cuidadosamente la máquina y todas las piezas sueltas que están en el contenedor o contenedores de transporte. Quite el revestimiento protector de todas las superficies no pintadas. Este revestimiento puede quitarse con un paño suave humedecido con queroseno (no utilice acetona, gasolina ni diluyente de laca para este fin). Después de realizar la limpieza, cubra las superficies no pintadas con una cera en pasta doméstica de buena calidad para pisos.

NOTA: LA FOTO DE LA CUBIERTA DEL MANUAL ILUSTRRA EL MODELO DE PRODUCCIÓN ACTUAL. TODAS LAS DEMÁS ILUSTRACIONES SON SOLAMENTE REPRESENTATIVAS Y ES POSIBLE QUE NO MUESTREN EL COLOR, EL ETIQUETADO Y LOS ACCESORIOS REALES.

DE FUNCIONAMIENTO CONTROLES Y AJUSTES

INTERRUPTOR

El interruptor (A) Fig. 18 está localizado en la parte delantera del cabezal de la taladradora. Para ENCENDER la taladradora, mueva el interruptor a la posición elevada. Para APAGAR la taladradora, mueva el interruptor a la posición inferior.

BLOQUEANDO EL INTERRUPTOR EN LA POSICION DE APAGADO

IMPORTANTE: Cuando la herramienta no es adentro uso, el interruptor se debe bloquear en la posición de “OFF”. Esto puede hacerse al tomar la palanca del interruptor (B) y extrayéndola del interruptor, como puede apreciarse en la Fig. 19. Una vez quitada la palanca del interruptor (B), el interruptor no podrá ser accionado. Sin embargo, si se llegase a quitarla palanca del interruptor durante el funcionamiento de la taladradora, el interruptor puede ser **APAGADO**, pero no puede volverse a encender sin la inserción de la palanca del interruptor (B).

LÁMPARA FLEXIBLE

⚠ ADVERTENCIA: La lámpara flexible funciona independientemente de la taladro. Para encender y apagar la lámpara, gire el interruptor (A) Fig. 19A.

Para reducir el riesgo de incendio, utilice focos para reflectores sobre rieles de 40 vatios o menos y de 120 voltios (no incluidos). No debe utilizarse un foco doméstico estándar. El foco para reflectores sobre rieles no debe extenderse más allá de la pantalla de la lámpara.

AJUSTES DE LA MESA

1. La mesa puede ser elevada o bajada sobre la columna de la taladradora mediante el aflojado de la agarradera de abrazadera de mesa (A) Fig. 20, y virando la agarradera de elevación y bajado de mesa (B) Fig. 21. Después de que la mesa se encuentre a la altura deseada, apriete la agarradera (A) Fig. 20. **NOTA:** La colocación final de la taladradora siempre debe ser desde la posición inferior hasta la posición superior.
2. La mesa puede ser girada a 360 grados sobre la columna mediante el aflojamiento de la agarradera de la abrazadera (A) Fig. 20, girando la mesa a la posición deseada, y apretando la agarradera de abrazadera nuevamente (A).
3. La mesa puede inclinarse a la derecha o a la izquierda al extraer y quitar el pasador de alineamiento de la mesa (C) Fig. 22 y al aflojar el perno de cierre de la mesa (D). **NOTA:** Si se hace difícil la extracción del pasador (C), vire la tuerca (E) contra el sentido de las manecillas del reloj para extraer el pasador de la estructura. Inclina la mesa al ángulo deseado y apriete el perno (D).
4. Cuando vaya a devolverla mesa a su posición nivelada, reponga el pasador de alineamiento de mesa (C) Fig. 23. Esto colocará la superficie de la mesa automáticamente a 90 grados del árbol. Vuelva a apretar el perno (D).
5. Se proporciona una escala de inclinación (E) Fig. 24 sobre la estructura del soporte de mesa para indicar los grados de inclinación. También se proporcionan una marca índice y marca de cero (F) para el alineamiento con la escala (E).

VELOCIDADES DE ARBOL

Hay cinco velocidades de árbol disponibles con su tala-dradora: 620, 1100, 1720, 2340 y 3100 RPM. La Fig. 25 ilustra en cuál escalón del motor y de la polea del árbol debe colocarse la correa para obtener las cinco velocidades disponibles.

FIG. 25 - árbol, motor

CAMBIO DE VELOCIDADES Y AJUSTE DEL TENSIONAMIENTO DE CORREA

1. **DESCONECTE LA MÁQUINA DE FUENTE DE ENERGÍA.**
2. Levante la correa y el protector de polea (A) Fig. 26.
3. Suelte la tensión de la correa aflojando la perilla de cierre de tensión (B) Fig. 26, articulando el motor hacia la parte delantera de la taladradora como se ilustra aquí.
4. Mientras que sostiene el motor hacia la parte delantera del cabezal de la taladradora, coloque la correa (C) sobre los escalones deseados de las poleas del motor y del árbol, como lo ilustra la Fig. 26. Un cuadro de colocación de correas y velocidades (D) se encuentra en el interior de la tapa superior de la taladradora para su conveniencia.
5. Después de colocar la correa sobre los escalones deseados de las poleas del motor y del árbol, articule el motor, alejándolo del cabezal de la taladradora hasta que la correa esté debidamente tensionada, y apriete la perilla de cierre de tensión (B) Fig. 26. La correa debe estar sólo lo suficientemente apretada como para impedir el deslizamiento. La tensión excesiva reducirá la vida de la correa, las poleas y los cojinetes. Se obtiene la tensión correcta cuando la correa (C) puede ser flexionada unas 2.5 cm fuera de la línea entre medio de las poleas, utilizando presión ligera con los dedos.

PERFORACION DE AGUJEROS A PROFUNDIDAD

En dónde deben taladrarse un número de agujeros exactamente a la misma profundidad, las tuercas de parada en la vara de parada fileteada se utilizan en la siguiente forma:

1. **DESCONECTE LA MÁQUINA DE FUENTE DE ENERGÍA.**
2. Inserte el pedacito en tirada.
3. Baje el huso hasta la fig. 27 del indicador (C), se alinea con la marca en la escala (D) que usted desea la profundidad para ser. Entonces apriete el tornillo de la cerradura (A). Vuelva el huso a la posición ascendente.
4. Ponga el material que se perforará en la tabla de la prensa del taladro. Levante la tabla de la prensa del taladro hasta que el material para ser tautos justos perforados el pedacito de taladro.
5. Perfore un agujero de la prueba para comprobar el ajuste y para reajustarlo en caso de necesidad. Todos los agujeros entonces serán perforados a la profundidad exacta según lo indicado en fig. 27 de la escala (D).

NOTA: La escala (D) está calibrada en pulgadas y los milímetros.

AJUSTE DEL RESORTE DE RETORNO DEL ARBOL

Para el propósito del retorno automático del árbol hacia arriba después de haber perforado un agujero, se proporciona un resorte de retorno del árbol (A) Fig. 28. Este resorte ha sido ajustado debidamente de fábrica y no debe ser perturbado a menos que sea absolutamente necesario. Para ajustar el resorte de retorno, haga lo siguiente:

1. **DESCONECTE LA MÁQUINA DE FUENTE DE ENERGÍA.**
2. Afloje los dos tornillos (B) Fig. 28 aproximadamente 1/4 pulg. No quite las tuercas (B) del eje (C).
3. Mientras **SOSTIENE** la cubierta del resorte **CON FIRMEZA** (A), Fig. 29, tire de ésta y gírela hasta que el saliente (D) se trabaje con la siguiente muesca de la cubierta. Gire la cubierta en sentido contrario a las agujas del reloj para incrementar la tensión del resorte o en el sentido de las agujas del reloj para disminuirla. Gire la tuerca (E) hasta que toque la cubierta del resorte (A) y luego vuelva a girarla hacia afuera 1/4 de vuelta. Para sostener la cubierta en su lugar, apriete la tuerca (B) contra la tuerca (E). **IMPORTANTE: Al ajustar, el interior de la tuerca (E) no debe tocar la cubierta del resorte (A).**

FUNCIONAMIENTO

Su taladradora debe utilizarse con brocas de 1/2 pulg. de diámetro o menos. Las siguientes direcciones proporcionarán al operario no experimentado un comienzo sobre las funciones comunes con la taladradora. Utilice material descartado para practicar y acostumbrarse a la máquina antes de intentar tareas regulares.

⚠ ADVERTENCIA: El uso de accesorios y conexiones no recomendadas por Black and Decker puede resultar en el riesgo de lesionamiento.

IMPORTANTE: Cuando el material es lo suficientemente largo, debe ser colocado siempre sobre la mesa con un extremo contra la columna, como lo ilustra la Fig. 30. Esto impide la rotación del material junto con la broca de perforación o herramienta cortante, ocasionando daño al material o el lesionamiento personal del operario. Si no resulta posible apoyar el material de trabajo contra la columna, deben utilizarse abrazaderas o un tornillo de banco para sujetar el material contra la mesa.

INSTALACION Y EXTRACCION DE BROCAS

1. **DESCONECTE LA MÁQUINA DE FUENTE DE ENERGÍA.**
2. Inserte la broca (A) Fig. 31 dentro del mandrino (B) lo suficientemente lejos como para obtener la **tracción** máxima de las tres mandíbulas del mandrino contra la espiga de la broca. Con las brocas pequeñas, **no** inserte la broca a tal profundidad que las mandíbulas del mandrino hagan contacto con las acanaladuras (ranuras espirales) de la broca.
3. Asegúrese que la broca (A) Fig. 31 esté centrada dentro del mandrino (B) antes de apretar el mandrino con la llave (C).
4. Gire la llave del mandrino (C) Fig. 31 en el sentido de las manecillas del reloj para apretar las mandíbulas del mandrino, y en el sentido contrario para aflojarlas.
5. Apriete las tres mandíbulas del mandrino para asegurar la broca lo suficiente como para que no se deslice durante el taladrado.
6. **ASEGURESE** que la llave del mandrino (C) Fig. 31 haya sido quitada del mandrino antes de arrancar la taladradora. Su llave de mandrino (C) está equipada con un pasador autoexpulsador (D) que elimina el riesgo de olvidar que la llave se encuentra aún en el mandrino.

DETECCIÓN DE PROBLEMAS

VELOCIDADES QUE PERFORAN CORRECTAS

Los factores que determinan la mejor velocidad para utilizar son: clase de material que es trabajado, de tamaño del agujero, de tipo del taladro o del otro cortador, y de calidad del corte deseada.

⚠ ADVERTENCIA: Utilice la velocidad recomendada para el material del pedacito y del objeto de la prensa del taladro.

PERFORACION DE MADERAS

Las brocas espirales, aunque estén diseñadas para la perforación de metales, pueden ser utilizadas también para el taladrado de agujeros en la madera. No obstante, se prefiere por lo general el uso de brocas de espuela maquinadas para la perforación de madera, ya que cortan un agujero de fondo cuadrado y están diseñadas para la extracción de astillas de madera. No utilice las brocas de mano con punta de tornillo, ya que a las velocidades de la taladradora, viran en la madera con tanta rapidez que levantan el material de la mesa con acción de remolino.

Para el taladrado en pasada, debe alinear la mesa para que la broca entre en el agujero central, evitando así el daño. Trace una línea vertical en la parte delantera de la columna y una marca de referencia sobre el soporte de la mesa, de modo que la mesa pueda ser abrazada en la posición central a cualquier altura.

Alimente lentamente cuando la broca esté a punto de cortar a través de la madera para impedir el astillamiento de la cara inferior. Utilice un pedazo de madera descartada para formar una base de bloque debajo del material. Esto ayuda a reducir el astillamiento y protege la punta de la broca.

PERFORACION DE METALES

Utilice abrazaderas para sujetar el material durante la perforación de metales. El material jamás debe ser sujetado con la mano solamente, ya que los bordes de la taladradora puede atrapar el material en cualquier momento, particularmente cuando se rompe a través del material. Si el material se escapa de la mano del operario, este último puede resultar lesionado. En todo caso, la taladradora quedará averiada cuando el material se golpee contra la columna.

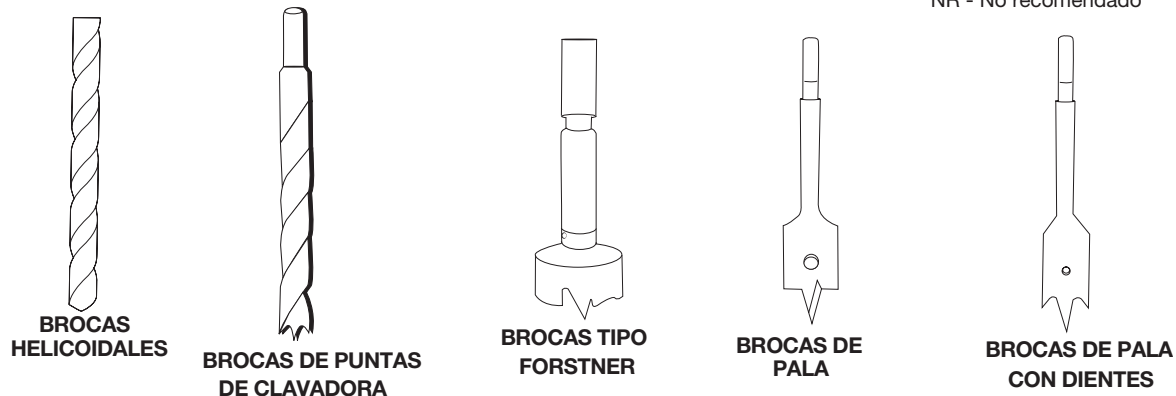
El material debe ser sujetado con firmeza durante la perforación. Cualquier inclinamiento, torcedura o cambio repentino tiene como resultado no sólo un agujero rudimentario, sino que aumenta el daño a la taladradora. Para materiales planos, coloque el material sobre una base de madera y abrácela firmemente contra la mesa para impedir que dé vueltas. Si el material es de forma irregular y no puede colocarse de manera plana sobre la mesa, debe ser bloqueado de manera segura y abrazada.

Tabla de velocidades de las prensas

Velocidades de operación recomendadas (en RPM)

ACCESORIO	MATERIAL					
	MADERA BLANDA	MADERA DURA	ACRÍLICO	BRONCE	ALUMINIO	ACERO
BROCAS HELICOIDALES						
1,58 a 4,75 mm	3000	3000	2500	3000	3000	3000
1,5 a 5mm	3000	3000	2500	3000	3000	3000
6,35 a 9,52 mm	3000	1500	2000	1200	2500	1000
6 a 10 mm	3000	1500	2000	1200	2500	1000
11,1 a 1,58 mm	1500	750	1500	750	1500	600
11 a 16mm	1500	750	1500	750	1500	600
17,45 a 25,4 mm	750	500	NR	400	1000	NR
17 a 27 mm	750	500	NR	400	1000	NR
BROCAS DE PUNTAS DE CLAVADORA						
3,17 mm	1800	1200	1500	NR	NR	NR
6,35 mm	1800	1000	1500	NR	NR	NR
9,52 mm	1800	750	1500	NR	NR	NR
12,7 mm	1800	750	1000	NR	NR	NR
15,8 mm	1800	500	750	NR	NR	NR
19,05 mm	1400	250	750	NR	NR	NR
22,22 mm	1200	250	500	NR	NR	NR
25,4 mm	1000	250	200	NR	NR	NR
BROCAS TIPO FORSTNER						
6,35 a 9,52 mm	2400	700	250	NR	NR	NR
12,7 a 15,8 mm	2400	500	250	NR	NR	NR
19,05 a 25,4 mm	1500	500	250	NR	NR	NR
28,57 a 31,75 mm	1000	250	250	NR	NR	NR
34,92 a 50,8 mm	500	250	NR	NR	NR	NR
BROCAS DE PALA						
6,35 a 12,7 mm	2000	1500	NR	NR	NR	NR
1,58 a 25,4 mm	1750	1500	NR	NR	NR	NR
28,57 a 38,1 mm	1500	1000	NR	NR	NR	NR
BROCAS DE PALA CON DIENTES						
9,52 a 25,4 mm	2000	1800	500	NR	NR	NR

NR - No recomendado



ACCESORIOS

Los accesorios que se recomiendan para la herramienta están disponibles en su distribuidor local o en el centro de mantenimiento autorizado. Si necesita ayuda con respecto a los accesorios, llame al: (55)5326-7100.

⚠ ADVERTENCIA: el uso de accesorios no recomendados para utilizar con esta herramienta puede resultar peligroso.

MANTENIMIENTO

Para limpiar la herramienta, sólo utilice jabón suave y un paño húmedo. Nunca permita que penetre líquido dentro de la herramienta y nunca sumerja ninguna de las piezas en un líquido.

IMPORTANTE: para garantizar la SEGURIDAD y CONFIABILIDAD del producto, las reparaciones, el mantenimiento y los ajustes (los que no estén enumerados en este manual) se deben realizar en los centros de mantenimiento autorizados o en otras organizaciones de mantenimiento calificadas, utilizando siempre piezas de repuesto idénticas.

DETECCIÓN DE PROBLEMAS

FALLA DE PONERSE EN MARCHA

Si su herramienta falla de ponerse en marcha, revísela para asegurarse de que los contactos de la clavija estén en buen contacto con el tomacorriente. También, vea si hay fusibles fundidos o ruptores abiertos en el circuito. Para obtener asistencia para su máquina, llame al: (55)5326-7100.

INFORMACIÓN DE MANTENIMIENTO

Black & Decker ofrece una amplia red de puntos de servicio propios y autorizados en toda Norteamérica. Todos los Centros de mantenimiento de Black & Decker cuentan con personal altamente capacitado dispuesto a brindar a todos los clientes un servicio eficiente y confiable en la reparación de herramientas eléctricas.

Si necesita consejo técnico, reparaciones o piezas de repuesto originales de fábrica, póngase en contacto con el centro de mantenimiento de Black & Decker más cercano a su domicilio.

Para ubicar a su servicio local, consulte "Herramientas eléctricas" (Tools-Electric) en la sección amarilla, o llame al: (55)5326-7100 www.blackanddecker.com

GARANTÍA COMPLETA DE DOS AÑOS PARA USO EN EL HOGAR

Black & Decker (EE.UU.) Inc. ofrece una garantía de dos años por cualquier defecto del material o de fabricación de este producto. El producto defectuoso se reparará o reemplazará sin costo alguno de una de las siguientes maneras: La primera opción, el reemplazo, es devolver el producto al comercio donde se lo adquirió (siempre y cuando se trate de un comercio participante). Las devoluciones deben realizarse conforme a la política de devolución del comercio (generalmente, entre 30 y 90 días posteriores a la venta). Le pueden solicitar comprobante de compra. Consulte en el comercio acerca de la política especial sobre devoluciones una vez excedido el plazo establecido.

La segunda opción es llevar o enviar el producto (con flete pago) a un Centro de mantenimiento propio o autorizado de Black & Decker para su reparación o reemplazo según nuestro criterio. Le pueden solicitar comprobante de compra. Encontrará una lista de los centros de mantenimiento autorizados y de propiedad de Black & Decker en "Herramientas eléctricas" en las páginas amarillas de la guía telefónica.

Esta garantía no se extiende a los accesorios. Esta garantía le concede derechos legales específicos que pueden variar según el estado. Ante cualquier inquietud, comuníquese con el Centro de mantenimiento de Black & Decker más cercano.

Este producto no es para uso comercial.

REEMPLAZO GRATUITO DE LAS ETIQUETAS DE ADVERTENCIA: Si sus etiquetas de advertencia se vuelven ilegibles o faltan, llame al (55)5326-7100 para que se le reemplacen gratuitamente.

Para reparación y servicio de sus herramientas eléctricas, favor de dirigirse al Centro de Servicio más cercano:

CULIACAN, SIN
Av. Nicolás Bravo #1063 Sur
(667) 7 12 42 11
Col. Industrial Bravo

GUADALAJARA, JAL
Av. La Paz #1779
(33) 3825 6978
Col. Americana Sector Juárez

MEXICO, D.F.
Eje Central Lázaro Cardenas
No. 18
(55) 5588 9377
Local D, Col. Obrera

MERIDA, YUC
Calle 63 #459-A
(999) 928 5038
Col. Centro

MONTERREY, N.L.
Av. Francisco I. Madero
No.831
(81) 8375 2313
Col. Centro

PUEBLA, PUE
17 Norte #205
(222) 246 3714
Col. Centro

QUERETARO, QRO
Av. Madero 139 Pte.
(442) 214 1660
Col. Centro

SAN LUIS POTOSI, SLP
Av. Universidad 1525
(444) 814 2383
Col. San Luis

TORREON, COAH
Blvd. Independencia, 96 Pte.
(871) 716 5265
Col. Centro

VERACRUZ, VER
Prolongación Díaz Mirón #4280
(229)921 7016
Col. Remes

VILLAHERMOSA, TAB
Constitución 516-A
(993) 312 5111
Col. Centro

PARA OTRAS LOCALIDADES LLAME AL: (55) 5326 7100

IMPORTADOR: BLACK & DECKER S.A. DE C.V.
BOSQUES DE RADIAS NO. 42
BOSQUES DE LAS LOMAS, 05120 MEXICO,
D.F.
TEL (55)5326-7100

Para servicio y ventas consulte
"HERRAMIENTAS ELECTRICAS"
en la sección amarilla.



ESPECIFICACIONES

Tensión de alimentación: 120 V~ Potencia nominal: 357 W
Frecuencia de operacion: 60 Hz Consumo de corriente: 3,2A

BLACK & DECKER®

PERCEUSE À COLONNE D'ÉTABLI DE 25,4 CM (10 PO)

MODE D'EMPLOI



N° DE CATALOGUE
BDDP100

MERCI D'AVOIR CHOISI BLACK & DECKER !
VISITEZ WWW.BLACKANDDECKER.COM/NEWOWNER
POUR ENREGISTRER VOTRE NOUVEAU PRODUIT.

**AVANT DE RETOURNER CE PRODUIT POUR QUELQUE RAISON QUE CE SOIT,
COMPOSER LE
1-800-544-6986**

AVANT D'APPELER, AYEZ EN MAIN LE N° DE CATALOGUE ET LE CODE DE DATE. DANS LA PLUPART DES CAS, UN REPRÉSENTANT DE BLACK &

DECKER PEUT RÉSOUDRE LE PROBLÈME PAR

TÉLÉPHONE. SI VOUS AVEZ UNE SUGGESTION OU UN COMMENTAIRE, APPELÉZ-NOUS. VOS

IMPRESSIONS SONT CRUCIALES POUR BLACK & DECKER.

CONSERVER CE MODE D'EMPLOI POUR UN USAGE ULTÉRIEUR.

LIGNES DIRECTRICES EN MATIÈRE DE SÉCURITÉ - DÉFINITIONS

Il est important que vous lisiez et compreniez ce mode d'emploi. Les informations qu'il contient concernent VOTRE SÉCURITÉ et visent à ÉVITER TOUT PROBLÈME. Les symboles ci-dessous servent à vous aider à reconnaître cette information.

⚠ DANGER : Indique une situation dangereuse imminente qui, si elle n'est pas évitée, causera la mort ou des graves blessures.

⚠ AVERTISSEMENT : Indique une situation potentiellement dangereuse qui, si elle n'est pas évitée, pourrait causer la mort ou de graves blessures.

⚠ MISE EN GARDE : Indique une situation potentiellement dangereuse qui, si elle n'est pas évitée, pourrait causer des blessures mineures ou modérées.

MISE EN GARDE : Utilisé sans le symbole d'alerte à la sécurité, indique une situation potentiellement dangereuse qui, si elle n'est pas évitée, peut résulter en des dommages à la propriété.

⚠ AVERTISSEMENT : Certaines poussières produites par les activités de ponçage, de sciage, de meulage, de perçage et autres activités de construction peuvent contenir des produits chimiques pouvant causer le cancer, des anomalies congénitales ou d'autres problèmes liés aux fonctions reproductrices. Voici quelques exemples de ces produits chimiques :

- le plomb contenu dans les peintures à base de plomb;
- la silice cristalline de la brique, du ciment et d'autres produits de maçonnerie; et
- l'arsenic et le chrome provenant du bois traité chimiquement.

Les risques reliés à l'exposition à ces poussières varient selon la fréquence à laquelle l'utilisateur travaille avec ce type de matériaux. Pour réduire l'exposition à ces produits chimiques, travailler dans un endroit bien ventilé et porter un équipement de sécurité approuvé comme un masque antipoussières conçu spécialement pour filtrer les particules microscopiques.

- Éviter le contact prolongé avec les poussières produites par les activités de ponçage, sciage, meulage, perçage et autres activités de construction. Porter des vêtements de protection et laver les parties du corps exposées avec une solution d'eau et de savon. Le fait de laisser la poussière pénétrer dans la bouche et les yeux ou de la laisser reposer sur la peau, peut promouvoir l'absorption de produits chimiques nocifs.

⚠ AVERTISSEMENT : l'utilisation de cet outil peut produire et/ou propulser des poussières qui pourraient causer des problèmes respiratoires graves et permanents, ou d'autres problèmes médicaux. Toujours porter un appareil respiratoire approuvé par la NIOSH/OSHA pour se protéger de la poussière. Diriger les particules loin du visage et du corps.

⚠ AVERTISSEMENT : porter une protection auditive appropriée pour utiliser l'appareil. Dans certaines conditions et selon la durée d'utilisation, le bruit provoqué par ce produit peut contribuer à une perte auditive.

RÈGLES GÉNÉRALES DE SÉCURITÉ



⚠ AVERTISSEMENT : LIRE TOUTES LES DIRECTIVES AVANT D'UTILISER LE PRODUIT. NÉGLIGER DE SUIVRE TOUTES LES DIRECTIVES SUIVANTES PEUT ENTRAÎNER DES RISQUES DE CHOC ÉLECTRIQUES, D'INCENDIE ET/OU DE BLESSURES GRAVES.

DIRECTIVES DE SÉCURITÉ IMPORTANTES

Le travail du bois peut être dangereux si des procédures de sécurité et d'utilisation ne sont pas suivies. Comme avec tout équipement, l'utilisation du produit comporte certains dangers. En utilisant cette machine avec toute la prudence requise, le risque de blessures corporelles en sera considérablement réduit. Au contraire, si les mesures de sécurité normales ne sont pas respectées ou sont ignorées, l'opérateur de l'outil peut être blessé. L'utilisation d'équipement de sécurité comme des pare-mains, des poussoirs, des dispositifs d'ancrage, des planches en éventail, des lunettes de sécurité, des masques antipoussières, des protecteurs auditifs peut réduire le risque de blessure. Cependant, même la meilleure des protections ne compense pas pour un faible jugement, une imprudence ou de l'inattention. Toujours faire preuve de jugement et être prudent dans l'atelier. Si une procédure semble dangereuse, ne pas l'essayer. Rechercher une procédure alternative qui semble plus sécuritaire. **RAPPEL** : votre sécurité personnelle est de votre responsabilité.

1. **POUR SA PROPRE SÉCURITÉ, LIRE LE MODE D'EMPLOI AVANT D'UTILISER L'OUTIL.** Apprendre l'application, les restrictions de même que les risques inhérents de l'outil.
2. **MAINTENIR LES DISPOSITIFS DE PROTECTION EN PLACE** et en état de fonctionnement.
3. **TOUJOURS PORTER UNE PROTECTION OCULAIRE.** Porter des lunettes de sécurité. Les lunettes ordinaires ne comportent que des lentilles résistantes aux chocs, ce ne sont pas des lunettes de sécurité. Utiliser également un masque ou anti-poussière si l'opération de découpe génère de la poussière. Ces lunettes de sécurité doivent être conformes à la norme ANSI Z87.1. **REMARQUE** : les lunettes approuvées portent l'inscription imprimée ou estampillée « Z87 ».
4. **RETIRER LES CLÉS ET LES CLÉS DE RÉGLAGE.** S'habituer à vérifier si les clés et les clés de réglage sont retirées de l'outil avant de mettre celui-ci sous tension.
5. **GARDER PROPRE LA ZONE DE TRAVAIL.** Les zones et établis encombrés sont souvent des causes d'accidents.
6. **NE PAS UTILISER CET OUTIL DANS UN ENVIRONNEMENT DANGEREUX.** Ne pas utiliser d'outils électriques dans des endroits humides ou mouillés et ne pas les exposer à la pluie. Garder la zone de travail bien éclairée.
7. **ÉLOIGNER LES ENFANTS ET LES VISITEURS.** Tous les enfants et les visiteurs doivent se trouver à une distance sûre de la zone de travail.

8. **S'ASSURER QUE L'ATELIER NE PRÉSENTE PAS DE DANGER POUR LES ENFANTS** - en utilisant des cadenas, des interrupteurs principaux, ou en retirant les clés de démarrage.
 9. **NE PAS FORCER L'OUTIL.** Il effectuera mieux son travail et de manière plus sûre à la vitesse pour laquelle il a été conçu.
 10. **UTILISER L'OUTIL APPROPRIÉ.** Ne pas forcer un outil ou un accessoire à effectuer un travail pour lequel il n'a pas été conçu.
 11. **PORTER LES VÊTEMENTS APPROPRIÉS.** Ne pas porter ni vêtement ample, ni gant, ni cravates, ni bague, ni bracelet, ni autre bijou, car ces derniers pourraient s'enchevêtrer dans des pièces mobiles. Le port de chaussures antidérapantes est recommandé. Se couvrir les cheveux s'ils sont longs.
 12. **FIXER LA PIÈCE.** Utiliser des fixations ou un étai pour maintenir l'ouvrage lorsque c'est possible. Ces dispositifs sont plus sûres que les mains et permettent d'utiliser les deux mains pour faire fonctionner l'outil.
 13. **NE PAS TROP TENDRE LES BRAS.** Conserver son équilibre en tout temps.
 14. **CONSERVER LES OUTILS DANS LE MEILLEUR ÉTAT POSSIBLE.** S'assurer que vos outils sont aiguisés et propres afin d'optimiser sécurité et performance. Suivre les consignes de graissage et de changement d'accessoires.
 15. **DÉBRANCHER LES OUTILS** avant de les réparer et de changer des accessoires tels que lames, mèches, couteaux, etc.
 16. **UTILISER LES ACCESSOIRES RECOMMANDÉS.** L'utilisation d'accessoires qui n'ont pas été recommandés par Black & Decker est susceptible d'endommager la machine ou de blesser l'utilisateur.
 17. **RÉDUIRE LE RISQUE DE DÉMARRAGE ACCIDENTEL.** S'assurer que l'interrupteur est en position ARRÊT avant de brancher l'outil. En cas de panne de courant, mettre l'interrupteur sur la position d'arrêt.
 18. **NE JAMAIS SE TENIR SUR L'OUTIL.** Une blessure grave pourrait se produire en cas de basculement de l'outil ou de contact accidentel avec l'outil de découpe.
 19. **VÉRIFIER LES PIÈCES ENDOMMAGÉES.** Avant toute utilisation ultérieure de l'outil, un dispositif de protection endommagé, ou toute autre pièce endommagée, doit être examiné soigneusement afin d'assurer un fonctionnement adéquat selon sa fonction prévue – vérifier l'alignement des pièces mobiles, la présence de grippage des pièces mobiles, de bris de pièces, ou d'assemblage et tout autre problème pouvant nuire au fonctionnement de l'outil. Un dispositif de protection endommagé, ou toute autre pièce endommagée, doit être réparé et remplacé adéquatement.
 20. **DIRECTION DE L'ALIMENTATION.** Insérer la pièce uniquement à contre-courant du sens de rotation de la lame ou du couteau.
 21. **NE JAMAIS LAISSER L'OUTIL FONCTIONNER SANS SURVEILLANCE. ÉTEINDRE L'APPAREIL.** Ne pas laisser l'outil tant qu'il n'est pas complètement arrêté.
 22. **ÊTRE VIGILANT, SURVEILLER LE TRAVAIL EFFECTUÉ ET FAIRE PREUVE DE JUGEMENT LORS DE L'UTILISATION D'UN OUTIL ÉLECTRIQUE. NE PAS UTILISER UN OUTIL LORSQU'ON EST FATIGUÉ OU SOUS L'INFLUENCE DE DROGUES, ALCOOL OU MÉDICAMENTS.** Un moment d'inattention, durant l'utilisation d'un outil électrique, peut se solder par des blessures corporelles graves.
 23. **S'ASSURER QUE L'OUTIL EST DÉBRANCHÉ DE LA SOURCE D'ALIMENTATION** lors du montage, de la connexion ou déconnexion du moteur.
 24. **LA POUSSIÈRE PRODUITE** par certains bois et produits en bois peut nuire à la santé. Toujours utiliser la machinerie dans un endroit bien aéré, et veiller à le dépoussiérer correctement. Utiliser des systèmes de dépoussiérage lorsque c'est possible.
- CONSERVER CES DIRECTIVES.**
Les consulter souvent et les utiliser pour donner des directives aux autres.

RÈGLES DE SÉCURITÉ SUPPLÉMENTAIRES POUR LES PERCEUSES À COLONNE

⚠ AVERTISSEMENT : LIRE TOUTES LES DIRECTIVES AVANT D'UTILISER LE PRODUIT. NÉGLIGER DE SUIVRE TOUTES LES DIRECTIVES SUIVANTES PEUT ENTRAÎNER DES RISQUES DE CHOCS ÉLECTRIQUES, D'INCENDIE ET/OU DE BLESSURES GRAVES.

1. **NE PAS UTILISER L'OUTIL JUSQU'À CE** qu'il soit entièrement assemblé et installé conformément à ces directives.
2. **DEMANDER CONSEIL** à un superviseur, instructeur, ou toute autre personne qualifiée si l'on ne maîtrise pas parfaitement l'utilisation de l'outil.
3. **SUIVRE TOUS LES CODES DE CÂBLAGE** et les connexions électriques recommandées.
4. **NE JAMAIS DÉMARRER LA MACHINE AVANT DE RETIRER DE LA TABLE** tout objet (outils, morceaux de déchet de découpe, etc.).
5. **NE JAMAIS DÉMARRER LA MACHINE** avec une mèche, un outil de coupe ou une ponceuse contre la pièce.
6. **SERRER TOUTES LES POIGNÉES DE VERROUILLAGE** avant de démarrer la machine.
7. **UTILISER SEULEMENT DES MÊCHES, OUTILS DE COUPE, CYLINDRES DE CONTACT OU AUTRES ACCESSOIRES** avec une queue de 12,7 mm (1/2 po) de diamètre ou moins.
8. **UTILISER SEULEMENT DES MÊCHES, OUTILS DE COUPE OU CYLINDRES DE CONTACT** intacts.
9. **VERROUILLER CORRECTEMENT LA MÊCHE, L'OUTIL DE COUPE, OU LE CYLINDRE DE CONTACT DANS LE MANDRIN** avant d'utiliser la machine.
10. **UTILISER LES VITESSES RECOMMANDÉES** pour toutes opérations.
11. **ÉVITER LES OPÉRATIONS MALADROITES ET**
- ÉVITER D'AVOIR LES MAINS MAL PLACÉES**, en glissant soudainement, une main pourrait percuter la lame.
12. **TENIR LES BRAS, MAINS ET DOIGTS** éloignés de l'outil de coupe.
13. **TENIR FERMEMENT L'OUVRAGE CONTRE LA TABLE.** Ne pas percer un ouvrage si celui-ci ne repose pas sur un côté plat contre la table. Empêcher l'ouvrage de tourner en le rattachant à la table ou en le fixant contre la colonne de la perceuse.
14. **ÉTEINDRE LA MACHINE ET ATTENDRE QUE LA MÊCHE, L'OUTIL DE COUPE OU LA PONCEUSE S'ARRÊTE COMPLÈTEMENT** avant de nettoyer la zone de travail, d'enlever des débris, de retirer ou de fixer un ouvrage ou de changer l'angle de la table. Une mèche, un outil de coupe ou une ponceuse en mouvement peuvent être dangereux..
15. **SOUTENIR CORRECTEMENT** les ouvrages **LONGS OU LARGES.**
16. **NE JAMAIS EFFECTUER D'OPÉRATIONS DE TRACÉ, D'ASSEMBLAGE** ou de réglage sur la table/l'espace de travail lorsque la machine est en marche.
17. **ÉTEINDRE L'OUTIL** et le débrancher avant d'installer ou de retirer tout accessoire, avant d'ajuster ou de modifier les réglages ou lors de réparations.
18. **ÉTEINDRE L'OUTIL** et nettoyer la table/espace de travail avant de le laisser.

VERROUILLER L'INTERRUPTEUR EN POSITION D'ARRÊT afin d'empêcher toute utilisation non autorisée.

19. **DES INFORMATIONS SUPPLÉMENTAIRES** indiquant comment utiliser l'outil correctement et en toute sécurité, sont disponibles auprès du Power Tool Institute, 1300 Summer Avenue, Cleveland,

OH 44115-2851 É.-U. Des informations sont également disponibles auprès du National Safety Council, 1121 Spring Lake Drive, Itasca, IL 60143-3201 É.-U. Se reporter à la norme ANSI 01.01 de l'American National Standards Institute concernant les machines de travail du bois, ainsi que la réglementation OSHA 1910.213. du département américain du travail.

CONSERVER CES DIRECTIVES.

CONNEXIONS ÉLECTRIQUES

Un circuit électrique séparé doit être utilisé pour vos machines. Ce circuit doit utiliser un câble de calibre 12 au minimum et doit être protégé par un fusible temporisé de 20 A. Si vous utilisez une rallonge électrique, n'utiliser que des rallonges à 3 fils pourvues d'une fiche de mise à la terre à 3 lames et un réceptacle correspondant à la fiche de la machine. Avant de brancher la machine sur le secteur, s'assurer que le ou les interrupteurs sont en position d'arrêt et veiller à ce que le courant électrique ait bien les mêmes caractéristiques que celles indiquées sur la machine. Tous les branchements doivent établir un bon contact. Si la machine fonctionne à basse tension, elle peut être endommagée.

⚠ AVERTISSEMENT : RISQUE DE CHOC ÉLECTRIQUE. NE PAS EXPOSER LA MACHINE À LA PLUIE NI L'UTILISER DANS UN ENDROIT HUMIDE.

DIRECTIVES DE MISE À LA TERRE

⚠ AVERTISSEMENT : RISQUE DE CHOC ÉLECTRIQUE. CETTE MACHINE DOIT ÊTRE MISE À LA TERRE LORS DE SON UTILISATION AFIN DE PROTÉGER L'UTILISATEUR CONTRE TOUT CHOC ÉLECTRIQUE. Votre machine est conçue pour être alimentée par un courant alternatif de 120 volts et 60 Hz. Avant de brancher la machine à la source d'alimentation, s'assurer que l'interrupteur est en position d'arrêt.

1. Pour toutes les machines mises à la terre, branchées à un cordon d'alimentation :

En cas de défaillance ou de panne, la mise à la terre permet un cheminement de moindre résistance pour le courant électrique afin de réduire le risque de choc électrique. Cette machine est munie d'un cordon d'alimentation doté d'un conducteur de mise à la terre d'équipement et d'une fiche de mise à la terre. La fiche doit être branchée sur une prise de courant correspondante qui est installée et mise à la terre conformément à tous les codes et à toutes les ordonnances à l'échelle locale.

Ne pas modifier la fiche fournie; si elle ne s'insère pas dans la prise de courant, faire installer une prise appropriée par un électricien professionnel.

Si le conducteur de mise à la terre d'équipement n'est pas correctement connecté, ceci peut provoquer un choc électrique. Le conducteur de mise à la terre d'équipement est le conducteur avec isolation qui a une surface extérieure verte à rayures jaunes (ou sans). S'il est nécessaire de faire réparer ou remplacer le cordon électrique ou la fiche, ne pas connecter le conducteur de mise à la terre d'équipement à une borne sous tension.

Vérifier auprès d'un électricien ou d'un personnel de réparation professionnels si les directives de mise à la terre ne sont pas parfaitement comprises, ou en cas de doute sur le fait que la machine soit correctement mise à la terre ou non.

Utiliser uniquement une rallonge à 3 fils pourvue d'une fiche de mise à la terre à 3 lames et une prise à 3 conducteurs correspondant à la fiche de la machine,

comme le montre la fig. A.

Réparer ou remplacer immédiatement le cordon s'il est endommagé ou usé.

2. Pour les machines mises à la terre et branchées à un cordon d'alimentation utilisées sur un circuit d'alimentation de régime nominal inférieur à 150 V :

Si la machine est utilisée sur un circuit dont la prise de courant ressemble à celle de la figure A, la machine aura alors une fiche de mise à la terre semblable à celle de la figure A. Un adaptateur temporaire, qui ressemble à celui de la figure B, peut être utilisé pour connecter cette fiche à une prise à 2 conducteurs, comme le montre la figure B, s'il n'existe aucune prise de courant correctement mise à la terre. L'adaptateur temporaire ne doit être utilisé que jusqu'à ce qu'un électricien qualifié puisse installer une prise électrique correctement mise à la terre. L'oreille rigide et la cosse de couleur verte (et tout ensemble semblable) dépassant de l'adaptateur doivent être connectées à une mise à la terre permanente, telle qu'une prise correctement mise à la terre. Chaque fois que l'adaptateur est utilisé, il doit être maintenu en place par une vis métallique.

REMARQUE : au Canada, l'utilisation d'un adaptateur temporaire n'est pas autorisée par le Code électrique canadien.

⚠ AVERTISSEMENT : RISQUE DE CHOC ÉLECTRIQUE DANS TOUS LES CAS, S'ASSURER QUE LA PRISE DE COURANT EN QUESTION EST CORRECTEMENT MISE À LA TERRE. SI VOUS N'EN ÊTES PAS SÛR, DEMANDEZ À UN ÉLECTRICIEN PROFESSIONNEL DE VÉRIFIER LA PRISE.

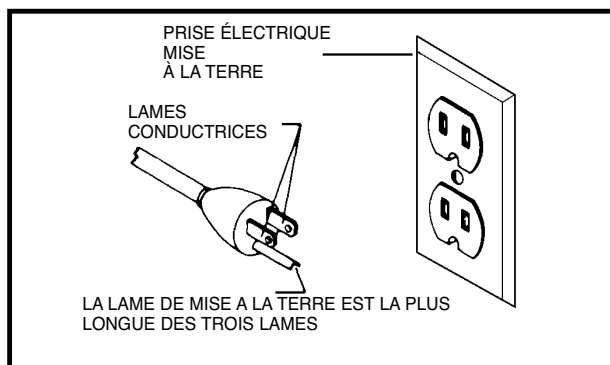


Fig. A

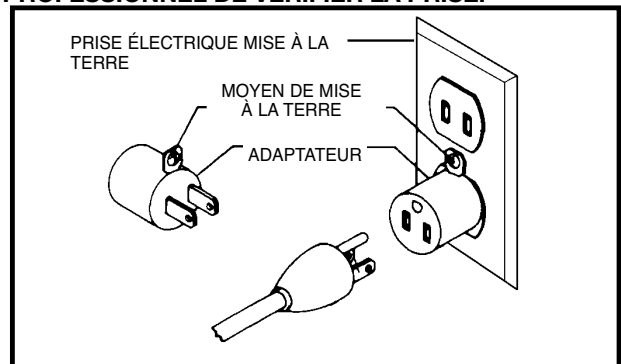


Fig. B

RALLONGES ÉLECTRIQUES

⚠ **AVERTISSEMENT** : Utiliser les rallonges électriques appropriées. S'assurer que la rallonge est en bon état et qu'il s'agit d'une rallonge à 3 fils avec une fiche de mise à la terre à 3 lames et prise de courant compatible avec la fiche de la machine. Lorsque qu'une rallonge électrique est utilisée, s'assurer d'en utiliser une de calibre suffisamment élevé pour assurer le transport du courant de la machine. Un cordon de calibre inférieur causera une chute de tension de ligne et donc une perte de puissance et une surchauffe. La fig. C montre le calibre correct à utiliser selon la longueur de la rallonge. En cas de doute, utiliser le calibre suivant le plus gros. Plus le numéro de calibre est petit, plus le cordon est lourd.

RALLONGE DE CALIBRE MINIMUM			
CALIBRES RECOMMANDÉS POUR UNE UTILISATION AVEC DES MACHINES ÉLECTRIQUES D'ÉTABLI			
Intensité nominale	Volts	Longueur totale du cordon en pieds	Calibre de la rallonge
0-6	120	jusqu'à 25	18 AWG
0-6	120	25-50	16 AWG
0-6	120	50-100	16 AWG
0-6	120	100-150	14 AWG
6-10	120	jusqu'à 25	18 AWG
6-10	120	25-50	16 AWG
6-10	120	50-100	14 AWG
6-10	120	100-150	12 AWG
10-12	120	jusqu'à 25	16 AWG
10-12	120	25-50	16 AWG
10-12	120	50-100	14 AWG
10-12	120	100-150	12 AWG
12-16	120	jusqu'à 25	14 AWG
12-16	120	25-50	12 AWG
12-16	120	SUPÉRIEURE À 50 PIEDS NON RECOMMANDÉE	

Fig. C

DESCRIPTION FONCTIONNELLE AVANT-PROPOS

Le modèle BDDP100 est une perceuse à colonne d'établi avec un moteur de 1/4 HP et une lampe de travail flexible. Le modèle BDDP100 effectue la plupart des opérations de perceuse à colonne.

DÉSEMBALLAGE ET NETTOYAGE

Désemballer soigneusement la machine et toutes les pièces de ou des emballage(s) d'expédition. Retirer le revêtement protecteur de toutes les surfaces non peintes. Le revêtement peut être retiré avec un chiffon doux humidifié avec du kérosène (ne pas utiliser d'acétone, d'essence ou de diluant à laque). Après nettoyage, couvrir les surfaces non peintes d'une cire à parquets d'usage domestique de bonne qualité.

AVIS : LA PHOTO DE LA COUVERTURE DU MODE D'EMPLOI ILLUSTRE LE MODÈLE DE PRODUCTION ACTUEL. LES AUTRES ILLUSTRATIONS NE SONT PRÉSENTES QU'À TITRE INDICATIF ET IL EST POSSIBLE QUE LA COULEUR, LES ÉTIQUETTES, OU LES ACCESSOIRES, QUI ONT UNIQUEMENT POUR BUT D'ILLUSTRER LA TECHNIQUE, DIFFÉRENT DES CARACTÉRISTIQUES RÉELLES DE CE MODÈLE.

PIÈCES DE LA PERÇEUSE À COLONNE

- | | |
|--|---|
| 1 - Tête et moteur de la perceuse à colonne | 8 - Vis sans fin pour soulever et abaisser la table |
| 2 - Poignée de soulèvement et d'abaissement de la table | 9 - (2) clés Allen |
| 3 - Étau de table | 10 - (4) Vis d'assemblage à tête hexagonale M8x1,25x25 mm |
| 4 - Mandrin | 11 - Table |
| 5 - Clé de mandrin | 12 - Base |
| 6 - (3) poignées de l'arbre de pignon | 13 - Colonne, bride et crémaillère de la base |
| 7 - (2) vis de carrosserie M8x1,25x125 mm, (2) rondelles plates M8, (2) rondelles de blocage M8.1, (2) écrous hexagonaux M8x1,25
(pour la fixation de la base à une surface de support) | |

ASSEMBLAGE

⚠ AVERTISSEMENT : Pour sa propre sécurité, ne pas brancher la machine à une source d'alimentation jusqu'à ce que la machine soit entièrement assemblée, ni avant d'avoir lu et compris l'intégralité de ce mode d'emploi.

OUTILS NÉCESSAIRES POUR L'ASSEMBLAGE

- 1.) 2 clés hexagonales - fournies 2.) marteau-caoutchouc

DURÉE ESTIMÉE POUR L'ASSEMBLAGE

une heure ou moins

1. Assembler la colonne (A, fig. 3) à la base (B) à l'aide des quatre vis dont trois sont montrées en (C). Desserrer la vis de calage (D) puis déposer l'anneau (E) et la crémaillère (F).
2. S'assurer que la vis sans fin (G, figures 4 et 5) est en place dans le support de la table (H) comme illustré.
3. Insérer la crémaillère (F, fig. 6) déposée à l'**ÉTAPE 1**, dans la rainure du support de la table tout en s'assurant que les dents de la vis sans fin (G), située à l'intérieur du support de la table, sont engagées avec celles de la crémaillère (F).
4. Insérer la crémaillère (F, fig. 7), la table et le support de table sur la colonne de la perceuse comme illustré. S'assurer que la partie inférieure de la crémaillère (F, fig. 8) est à l'intérieure de la bride (J) de la base de la perceuse à colonne.
5. Réassembler l'anneau (E, fig. 9) déposé à l'**ÉTAPE 1**. **IMPORTANT** : la partie inférieure de l'anneau (E) **NE DOIT PAS** être enfoncé complètement jusqu'à atteindre le dessus de la crémaillère (F). S' **ASSURER** que la partie supérieure de la crémaillère (F) est sous la surface inférieure de l'anneau (E) et qu'il y a assez de dégagement pour permettre à la crémaillère (F) de tourner autour de la colonne. **PUIS SERRER LA VIS DE CALAGE (D), VEUILLEZ À NE PAS TROP SERRER.**
6. Fixer la poignée (K, fig. 10), qui lève et abaisse la table, à la tige de la vis sans fin (G) et serrer la vis de calage (L) contre la partie plate de la tige.
7. Visser le montant de la poignée de fixation (M, fig. 12) dans le trou à l'arrière du support de la table comme illustré.
8. Glisser la tête de la perceuse à colonne (N, fig. 13) sur la colonne aussi loin que possible. Aligner la tête (A, fig. 13A) avec la table (B) et la base (C). Serrer les deux vis de blocage (O, fig. 13) avec la clé fournie.
9. Visser les trois poignées (P, fig. 14) de l'arbre pignon dans les trois trous taraudés situés sur l'arbre pignon (S) comme illustré.
10. **IMPORTANT** : s'assurer que la broche conique (Q, fig. 15) et le trou taraudé du mandrin (R) sont propres et exempts toute graisse et de couches protectrices de vernis ou d'antirouille. **REMARQUE** : un nettoyeur à four domestique nettoie efficacement toute substance de la broche et du mandrin; toutefois, suivre soigneusement les consignes de sécurité du fabricant lors de son utilisation.
11. **IMPORTANT**: ouvrir les mâchoires du mandrin autant que possible en tournant le manchon du mandrin (S, fig. 16).
12. Tenir le mandrin sur le bout conique de la broche et frapper avec un marteau-caoutchouc (T), ou un bloc de bois et un marteau, pour fixer le mandrin, comme indiqué à la figure 16. **IMPORTANT** : pour empêcher tout dommage au mandrin, **NE JAMAIS** enfoncer le mandrin sur la broche à l'aide d'un marteau en métal.

FIXATION DE LA PERCEUSE À COLONNE À LA SURFACE DE SUPPORT

Si en cours de fonctionnement, la machine tend à basculer, « marcher », ou glisser sur la surface de support, la machine doit être fixée à la surface de support à l'aide d'une vis de carrosserie de M8x1,25x125 mm, une rondelle plate de 8,5 mm, une rondelle de blocage de 8,5 mm et d'un écrou hexagonal M8x1,25 à travers les deux trous (A, fig. 17) situés à la base de la machine.

UTILISATION DES COMMANDES ET RÉGLAGES

DÉMARRAGE ET ARRÊT DE LA PERCEUSE À COLONNE

L'interrupteur (A, fig.18) est situé à l'avant de la tête de la perceuse à colonne. Pour mettre en marche la perceuse à colonne, placer l'interrupteur à la position « **MARCHE** » (**ON**). Pour l'éteindre placer l'interrupteur à la position « **ARRÊT** » (**OFF**).

VERROUILLAGE DE L'INTERRUPTEUR EN POSITION D'« ARRÊT »

IMPORTANT: lorsque la machine n'est pas utilisée, l'interrupteur doit être verrouillé en position d'« arrêt » (off) pour empêcher toute utilisation non autorisée. La machine se verrouille en pinçant la bascule de l'interrupteur (B) et en la retirant comme indiqué à la figure 19. Une fois la bascule de l'interrupteur (B) absente, l'interrupteur est désactivé. Toutefois, si la bascule de l'interrupteur est retiré alors que la perceuse à colonne fonctionne, il est possible d'éteindre la perceuse une fois mais la bascule (B) doit être insérée de nouveau pour permettre la mise en marche.

LAMPE FLEXIBLE

⚠ AVERTISSEMENT : La lampe flexible de travail fonctionne indépendamment de la perceuse à colonne. Pour allumer et éteindre la lampe, tourner l'interrupteur (A, fig. 19A).

Pour réduire le risque d'incendie, utiliser une ampoule de moins de 40 watts, de 120 V, du type réflecteur sur rail (non fournie). Ne pas utiliser une ampoule normale domestique. L'ampoule, de type réflecteur sur rail, ne doit pas dépasser le garde-vue.

RÉGLAGES DE LA TABLE

1. La table se soulève et se baisse sur la colonne de la perceuse en desserrant l'étau d'établi (A, fig. 20) et en tournant la poignée qui lève et abaisse la table (B, fig. 21). Une fois la table à la hauteur souhaitée, serrer l'étau (A, fig. 20). **REMARQUE :** la position finale de la table de la perceuse à colonne devrait toujours être de la position inférieure à la position supérieure.
2. En desserrant l'étau de table (A, fig. 20), la table pivote sur 360 degrés sur la colonne. Pivoter la table à la position souhaitée et serrer l'étau de table.
3. Retirer la goupille d'alignement de la table (C, fig.) et incliner la table à droite ou à gauche. **REMARQUE :** s'il est difficile de retirer la goupille(C), tourner l'écrou (E) en sens horaire pour retirer la goupille du boîtier.
4. La figure 23 illustre l'outil sans la goupille d'alignement de la table (C). Desserrer le boulon de blocage (D) de la table, incliner la table à l'angle souhaité et resserrer le boulon (D). Remettre la goupille d'alignement (C) de la table lorsque la table retourne en position horizontale (à niveau) Ainsi, la surface de la table sera perpendiculaire à la broche.
5. Le support de table moulé comporte une échelle d'angles (E, fig. 24) qui indique le degré d'inclinaison. La table possède aussi une ligne de repère et une marque de zéro (F) pour aligner la table avec l'échelle (E).

VITESSES DE BROCHE

Cinq régimes de rotation de broche sont disponibles avec la perceuse à colonne : 620, 1100, 1720, 2340 et 3100 tr/min. La figure 25 illustre les positions de la courroie sur les poulies de la broche et le pas du moteur pour obtenir les cinq vitesses disponibles.

Fig. 25 - Broche, Moteur

CHANGEMENT DE VITESSES ET RÉGLAGE DE LA TENSION DE LA COURROIE

1. DÉBRANCHER LA MACHINE DE LA SOURCE D'ALIMENTATION.

2. Soulever la courroie et la protection de la poulie (A, fig. 26).
3. Relâcher la tension de la courroie en desserrant le bouton de verrouillage de la tension (B, fig. 26) et pivoter le moteur (D) en direction de l'avant de la perceuse à colonne.
4. Avec le moteur dans cette position, placer la courroie (C) sur les pas souhaités du moteur et des poulies de la broche comme indiqué à la figure 26.
5. Une fois la courroie en position sur les pas du moteur et les poulies de la broche, déplacer le moteur (D, fig. 26) vers l'arrière jusqu'à ce que la courroie soit correctement tendue puis serrer le bouton de verrouillage de la tension (B). La courroie doit être tendue juste assez pour l'empêcher de glisser. Une tension excessive réduira la durée de vie de la courroie, des poulies et du roulement. On atteint une bonne tension lorsque la courroie (C) s'enfonce d'environ 2,5 cm (1 po) avec une légère pression du doigt à mi-chemin entre les poulies.

PERÇAGE DE TROUS À PROFONDEUR DÉFINIE

Une butée d'arrêt est intégrée, dans l'enveloppe de l'arbre pignon, lorsqu'un nombre de trous seront percés à exactement la même profondeur. Elle s'utilise de la façon suivante :

1. **DÉBRANCHER LA MACHINE DE LA SOURCE D'ALIMENTATION.**
2. Insérer la mèche dans le mandrin.
3. Abaisser la broche jusqu'à ce que le pointeur (C, fig. 27) s'aligne avec la marque sur l'échelle (D), à la profondeur à laquelle les trous seront percés. Puis serrer la vis de calage (A). Ramener la broche à la position élevée.
4. Déposer, sur la table de la perceuse à colonne, le matériel qu sera percé. Élever la table de la perceuse à colonne jusqu'à ce que le matériel touche à peine à la mèche.
5. Percer un trou d'essai pour vérifier le réglage et réajuster le cas échéant. Tous les trous seront alors percés exactement à la même profondeur indiquée sur l'échelle (D, fig. 27). **REMARQUE** : l'échelle (D) est étalonnée en pouces et en millimètres.

RÈGLAGE DU RESSORT DE RAPPEL DE LA BROCHE

La broche retourne automatiquement à la position la plus élevée dès que la poignée est relâchée. On recommande de laisser la poignée revenir lentement vers le haut après le perçage de chaque trou dans le matériel. Le ressort de rappel a été correctement réglé en usine et ne devrait pas être manipulé sauf si absolument nécessaire. Pour régler le ressort de rappel, suivre la procédure suivante :

1. **DÉBRANCHER LA MACHINE DE LA SOURCE D'ALIMENTATION.**
2. Desserrer les écrous (B et E, fig. 28). S'assurer que l'enveloppe (A) du ressort demeure engagé avec le moulage de la tête.
3. Tout en **MAINTENANT SOLIDEMENT** l'enveloppe du ressort (A, fig. 29) retirer l'enveloppe et la tourner jusqu'à ce que la protubérance (D) s'engage dans la prochaine coche de celle-ci. Tourner l'enveloppe en sens antihoraire pour augmenter la tension du ressort ou en sens horaire pour la diminuer. Visser l'écrou (E) jusqu'à ce qu'il touche l'enveloppe (A) du ressort puis le dévisser d'un quart de tour pour que l'écrou (E) se décolle de l'enveloppe du ressort (A). Serrer l'écrou (B) contre l'écrou (E) pour maintenir l'enveloppe en position. **IMPORTANT** : **l'écrou interne (E) ne doit pas toucher l'enveloppe du ressort (A) lorsque serré.**

FONCTIONNEMENT

La perceuse à colonne est conçue pour fonctionner avec des mèches à queues de 12,7 mm (1/2 po) de diamètre ou moins. Les directives suivantes donneront à l'opérateur sans expérience une idée des principales opérations de la perceuse à colonne. Effectuer des essais sur des déchets de découpe avant de percer une vraie pièce.

⚠ AVERTISSEMENT : l'utilisation de pièces et accessoires non recommandés par Black and Decker risque de provoquer une blessure.

IMPORTANT : lorsque la pièce est assez longue, elle devrait toujours être positionnée sur la table avec une extrémité contre le côté gauche de la colonne comme indiqué à la figure 30.

Cette position empêche la pièce de tourner avec la mèche ou l'outil de coupe, endommageant ainsi la pièce ou blessant l'opérateur. S'il est impossible d'appuyer la pièce contre la colonne, celle-ci devrait toujours être fixée à la table à l'aide de pinces de travail ou un étau.

INSERTION ET RETRAIT DE MÈCHES

1. **DÉBRANCHER LA MACHINE DE LA SOURCE D'ALIMENTATION.**
2. Insérer l'extrémité lisse de la mèche (A, fig.31) dans le mandrin (B) aussi loin que possible puis retirer la mèche de 1,6 mm (1/16 po) ou, pour les mèches courtes, insérer jusqu'aux cannelures.
3. S'assurer que la mèche (A, fig. 31) est centrée dans le mandrin (B) avant de serrer le mandrin à l'aide de la clé (C).
4. Tourner la clé de mandrin (C, fig. 31) en sens horaire pour serrer et en sens antihoraire pour desserrer les mâchoires du mandrin.
5. Serrer les trois mâchoires du mandrin pour fixer solidement la mèche pour qu'elle ne puisse glisser en cours de perçage.
6. **S'ASSURER QUE** la clé de mandrin (C, fig. 31) est retirée du mandrin avant de démarrer la perceuse à colonne. La clé de mandrin (C) est dotée d'une goupille auto-éjectable (D) qui aide à minimiser le risque associé à un oubli.

DÉPANNAGE

VITESSES CORRECTES DE PERÇAGE

Le type de matériel à percer, la dimension du trou, le type de mèche ou tout autre couteau et la qualité recherchée de la coupe sont des facteurs qui déterminent le régime approprié.

⚠ AVERTISSEMENT : utiliser la vitesse (régime) de perçage pour la mèche de la perceuse à colonne et le matériel de la pièce.

PERÇAGE DU BOIS

Les forets hélicoïdaux, conçus d'abord pour le perçage de métaux, s'utilisent aussi pour le perçage du bois. Toutefois, les mèches à bois s'utilisent généralement pour le travail du bois; elles coupent un trou à fond plat et sont conçues pour éliminer les rognures de bois. Ne pas utiliser de mèches à pointe de vis. En effet, aux vitesses de perçage de la perceuse à colonne, ces mèches pénètrent le bois si rapidement qu'elles soulèvent la pièce de la table et la font tourbillonner.

Pour un perçage de part et d'autre et pour éviter d'endommager la table, aligner la table de sorte que la mèche percera dans le trou au centre. Tracer une ligne verticale devant la colonne et une marque correspondante sur le support de la table et la tête de la perceuse à colonne de sorte que la table et la tête puissent se fixer en position centrale à n'importe quelle hauteur.

Diminuer le régime de la mèche lorsque celle-ci atteint presque l'autre côté de la pièce pour éviter l'éclatement de la face inférieure en bois. Utiliser un déchet de découpe comme bloc en bois sous la pièce pour aider à diminuer l'éclatement du bois et à protéger la pointe de la mèche.

PERÇAGE DU MÉTAL

Utiliser des brides pour maintenir la pièce lors du perçage de métaux. Ne jamais tenir la pièce à mains nues. la mèche peut se gripper dans la pièce à tout moment principalement lorsqu'elle perce la pièce. Si la pièce est arrachée des mains de l'opérateur, ce dernier risque d'être blessé. La mèche se brisera si la pièce frappe la colonne.

La pièce doit être solidement fixée lors du perçage. Toute inclinaison, torsion ou déplacement formera non seulement un trou à bords grossiers mais augmente aussi le bris de mèche. Pour un ouvrage plat, déposer la pièce sur une base de bois et la fixer fermement contre la table pour l'empêcher de tourner. Si la pièce est de forme irrégulière et ne peut reposer à plat sur la table, elle devra être bloquée et fixée solidement.

Tableau des régimes pour perceuse à colonne

Vitesses de fonctionnement recommandées (en tr/min)

Accessoire	Matériel					
	BOIS TENDRE	BOIS DUR	ACRYLIQUE	LAITON	ALUMINIUM	ACIER
FORÈTS HÉLICOÏDAUX						
1/16 à 3/16 po	3000	3000	2500	3000	3000	3000
1,5 à 5mm	3000	3000	2500	3000	3000	3000
1/4 à 3/8 po	3000	1500	2000	1200	2500	1000
6 à 10mm	3000	1500	2000	1200	2500	1000
7/16 à 5/8 po	1500	750	1500	750	1500	600
11 à 16mm	1500	750	1500	750	1500	600
11/16 à 1 po	750	500	NR	400	1000	NR
17 à 27mm	750	500	NR	400	1000	NR
FORÈTS À POINTE						
3 mm (1/8 po)	1800	1200	1500	NR	NR	NR
6 mm (1/4 po)	1800	1000	1500	NR	NR	NR
10 mm (3/8 po)	1800	750	1500	NR	NR	NR
13 mm (1/2 po)	1800	750	1000	NR	NR	NR
16 mm (5/8 po)	1800	500	750	NR	NR	NR
19 mm (3/4 po)	1400	250	750	NR	NR	NR
22 mm (7/8 po)	1200	250	500	NR	NR	NR
25 mm (1 po)	1000	250	200	NR	NR	NR
MÈCHES EMPORTE-PIÈCE (FORSTNER)						
6 à 10 mm (1/4 à 3/8 po)	2400	700	250	NR	NR	NR
13 à 16 mm (1/2 à 5/8 po)	2400	500	250	NR	NR	NR
19 à 25 mm (3/4 à 1 po)	1500	500	250	NR	NR	NR
29 à 32 mm (1 1/8 à 1 1/4 po)	1000	250	250	NR	NR	NR
35 à 51 mm (1 3/8 à 2 po)	500	250	NR	NR	NR	NR
FORÈTS PLATS À TROIS POINTES (also = FORÈTS PLATS)						
6 à 13 mm (1/4 à 1/2 po)	2000	1500	NR	NR	NR	NR
16 à 25 mm (5/8 à 1 po)	1750	1500	NR	NR	NR	NR
29 à 38 mm (1 1/8 à 1 1/2 po)	1500	1000	NR	NR	NR	NR
FORÈTS PLATS À TROIS POINTES AVEC AILETTES						
10 à 25 mm (3/8 à 1 po)	2000	1800	500	NR	NR	NR

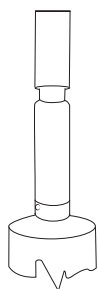
NR - Non recommandé



FORÈTS HÉLICOÏDAUX



FORÈTS À POINTE



MÈCHES EMPORTE-PIÈCE (FORSTNER)



FORÈTS PLATS À TROIS POINTES



FORÈTS PLATS À TROIS POINTES (avec ailettes)

ACCESSOIRES

Les accessoires recommandés pouvant être utilisés avec l'outil sont disponibles auprès de votre distributeur local ou centre de réparation autorisé. Pour tout renseignement concernant les accessoires, composer le : **1-800-544-6986**

⚠ AVERTISSEMENT : l'utilisation de tout accessoire non recommandé avec l'outil pourrait s'avérer dangereuse.

ENTRETIEN

N'utiliser qu'un détergent doux et un chiffon humide pour nettoyer l'outil. Ne jamais laisser de liquide pénétrer dans l'outil et n'immerger aucune partie de l'outil dans un liquide.

IMPORTANT : pour garantir la **SÉCURITÉ** et la **FIABILITÉ** du produit, les réparations, l'entretien et le réglage (autre que ceux énumérés dans ce mode d'emploi) doivent être réalisés par un centre de réparation autorisé ou tout autre centre de réparation professionnel, et les des pièces de rechange identiques doivent être utilisées.

DÉPANNAGE

DÉMARRAGE IMPOSSIBLE

Si la machine ne démarre pas, s'assurer que les lames de la fiche du cordon d'alimentation sont bien enfoncées dans la prise de courant. Vérifier également que les fusibles ne sont pas grillés ou que le disjoncteur ne s'est pas déclenché.

Pour obtenir de l'aide au sujet de la machine, composer le : **1-800-544-6986**

INFORMATION SUR LES SERVICES

Black & Decker dispose d'un réseau complet composé de centres de service et de centres autorisés situés partout en Amérique du Nord. Tous les centres de service Black & Decker sont dotés de personnel qualifié en matière d'outillage électrique; ils sont donc en mesure d'offrir à leur clientèle un service efficace et fiable. Pour obtenir un conseil technique ou une pièce d'origine ou pour faire réparer un outil, on peut communiquer avec le centre Black & Decker le plus près. Pour obtenir le numéro de téléphone, consulter les pages jaunes sous la rubrique "Outils - électriques" ou composer le **1 800 544-6986 (1-800-54-HOW-TO) www.blackanddecker.com**.

GARANTIE COMPLÈTE DE DEUX ANS POUR USAGE RÉSIDENTIEL

Black & Decker (U.S.) Inc. garantit ce produit pour une période de deux ans contre tout défaut de matériel ou de fabrication. Le produit défectueux sera remplacé ou réparé sans frais, suivant l'une des deux méthodes suivantes.

La première méthode consiste en un échange seulement. On doit retourner le produit au détaillant qui l'a vendu (pourvu qu'il s'agisse d'un détaillant participant), en respectant les délais stipulés dans sa politique relative aux échanges (normalement de 30 à 90 jours après la vente). Une preuve d'achat peut être requise. On doit vérifier la politique de retour du détaillant pour tout produit retourné après le délai prescrit pour les échanges.

La deuxième méthode consiste à apporter ou à envoyer le produit (prépayé) à un centre Black & Decker ou à un centre de service autorisé aux fins de réparation ou de remplacement, selon notre choix. Une preuve d'achat peut être requise. Les centres Black & Decker et les centres de service autorisés sont répertoriés dans les pages jaunes sous la rubrique «Outils - électriques».

Cette garantie ne s'applique pas aux accessoires. Elle confère des droits légaux particuliers à l'acheteur, mais celui-ci pourrait aussi bénéficier d'autres droits variant d'un territoire à l'autre.

Toute question doit être adressée au gérant du centre Black & Decker le plus près.

Ce produit n'est pas destiné à un usage commercial.

Remplacement gratuit de l'étiquette d'avertissement : En cas de perte ou d'endommagement des étiquettes d'avertissement, composer le **1 800 544-6986** afin d'en obtenir de nouvelles sans frais.

Imported by / Importé par
Black & Decker Canada Inc.
100 Central Ave.
Brockville (Ontario) K6V 5W6

Voir la rubrique "Outils électriques"
des Pages Jaunes
pour le service et les ventes.



Free Manuals Download Website

<http://myh66.com>

<http://usermanuals.us>

<http://www.somanuals.com>

<http://www.4manuals.cc>

<http://www.manual-lib.com>

<http://www.404manual.com>

<http://www.luxmanual.com>

<http://aubethermostatmanual.com>

Golf course search by state

<http://golfingnear.com>

Email search by domain

<http://emailbydomain.com>

Auto manuals search

<http://auto.somanuals.com>

TV manuals search

<http://tv.somanuals.com>