



Egg Cooker



First Use Safety Recommendation

Please read through this booklet for safe and efficient use of the appliance. We urge you to read the "Hint's" section and also follow all detailed instructions even if you are familiar with using this appliance.

Keep this guide handy for future reference.

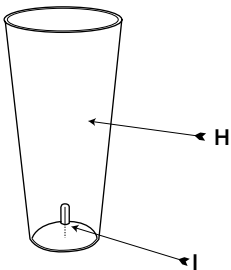
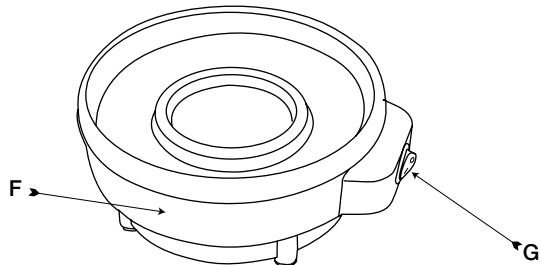
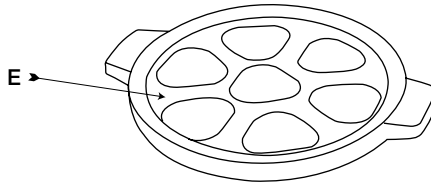
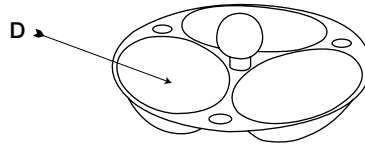
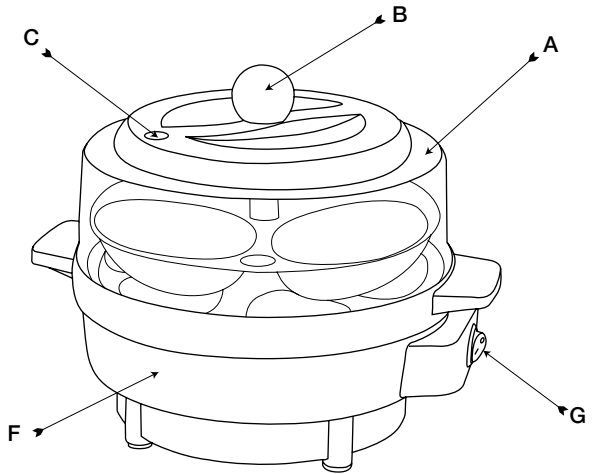
English Page 02

Arabic Page 15

EG100

Parts Identification

- A Cover
- B Cover knob
- C Steam release hole
- D Poaching pan
- E. Cooking rack
- F Egg cooker base
- G On / Off switch
- H Measuring cup
- I Egg pricker



Intended use

Your Black and Decker Egg Cooker has been designed for cooking eggs as described in this manual. Do not use this appliance for any other purpose. This product is intended for household use only.

Safety instructions

Warning! When using mains-powered appliances, basic safety precautions, including the following, should always be followed to reduce the risk of fire, electric shock, personal injury and material damage.



Read all of this manual carefully before using the appliance.

- The intended use is described in this manual. The use of any accessory or attachment or the performance of any operation with this appliance other than those recommended in this instruction manual may present a risk of personal injury.
- Retain this manual for future reference.
- Do not touch hot surfaces.
- Always take care when using the appliance.
- Never pull the power supply cord to disconnect the plug from the socket.
- Keep the power supply cord away from heat, oil and sharp edges.
- Do not allow the power supply cord to hang over the edge of your work top or table.
- Always place the appliance on a level surface with adequate free space on all sides.
- Do not place the appliance below a socket outlet. Do not place the appliance on a wet or slippery surface. Do not place the appliance on or near heat sources or in a heated oven.
- Do not use the appliance near flammable or explosive materials.
- Do not use the appliance outdoors.
- Always protect the appliance from water or excessive humidity.
- Do not move the appliance when in use.
- Operate the appliance only with dry hands.
- Do not use the appliance if you have bare feet.
- If the power supply cord is damaged during use, disconnect the appliance from the power supply immediately. Do not touch the power supply cord before disconnecting from the power supply.
- Disconnect the appliance from the power supply when not in use, before fitting or removing parts and before cleaning.
- Allow the appliance to cool before cleaning.

Safety of others

- Never leave an appliance unattended when in use.
- Do not allow children or any person unfamiliar with these instructions to use the appliance.
- Do not allow children or animals to come near the work area or to touch the appliance or power supply cord.
- Close supervision is necessary when the appliance is used near children.
- This appliance is not intended for use by persons (including children) with reduced physical, sensory or mental capabilities, or lack of experience and knowledge, unless they have been given supervision or instruction concerning use of the appliance by a person responsible for their safety.
- Children must be supervised to make sure that they do not play with the appliance.

Inspection and repairs

- Before use, check the appliance for damaged or defective parts. Check for breakage of parts, damage to switches and any other conditions that may affect its operation.
- Do not use the appliance if any part is damaged or defective.
- Do not attempt to repair the appliance yourself, instead have any damaged or defective parts repaired or replaced by an authorised repair agent.
- Before use, check the power supply cord for signs of damage, ageing and wear.
- Do not use the appliance if the power supply cord or mains plug is damaged or defective.
- Never attempt to remove or replace any parts other than those specified in this manual.

Electrical safety



This product must be earthed.

Always check that the power supply corresponds to the voltage on the rating plate.

If the supply cord is damaged, it must be replaced by the manufacturer or an authorised Black & Decker Service Centre in order to avoid a hazard.

To avoid the risk of electric shock, do not immerse the cord, plug or appliance in water or other liquid.

Extension cables & class 1 product

If an extension lead is required a 3 core cable must be used as your appliance is earthed and of class 1 construction.

- Up to 30m (100ft) can be used without loss of power.
- Power plugs must match the outlet. never modify the plug in anyway. Do not use any adapter plugs with earthed (Class 1) appliances. Unmodified plugs and matching outlets will reduce the risk of electric shock.

Specific safety requirements for Egg Cookers

- Steam can escape from the unit when the accessories or cover (A) is removed or through the steam release hole (C).
- Exercise caution when handling the egg cooker as the cover and cooking surface and accessories get hot during use. These may remain hot for some time after use.
- Keep the heating plate clean and free from any foreign particles. Always keep the unit clean.
- Do not switch the unit on without having added water first.
- Do not place on or near a hot gas or electric burner or in a heated oven.
- Do not obstruct the steam vent with any article, for example a piece of cloth, during the operation.
- Place the Egg cooker on a level surface.
- The accessible surfaces may become hot during operation.

Features

- A. Cover
- B. Cover knob
- C. Steam release hole
- D. Poaching pan
- E. Cooking rack
- F. Egg cooker base
- G. On / Off switch
- H. Measuring cup
- I. Egg pricker

Before first use

- Remove all packaging from the appliance,
- Before first use, wash the cover, poaching pan and cooking rack in warm sudsy water, rinse and dry well.
- Clean the egg cooker base using a cloth.

Warning! Do not immerse the egg cooker base in water.

Use

You can poach up to 3 eggs or hard cook or soft cook up to 7 eggs.

If you are not using the egg cooker to poach eggs, remove the egg poacher from the unit.

Add the required amount of water to the egg cooker base using the guide moulded into the measuring cup. These amounts are approximate and can be varied to suit individual preferences.

To poach eggs

Place the egg cooker on a dry level surface. Use the medium cooked water level markings on the measuring cup to determine the amount of water to use, for 1

poached egg fill the water to the 7 mark, for 2 poached eggs fill the water to the 6 mark and for 3 poached eggs fill to the 5 mark.

Note: The more eggs cooked the more water is required.

With the unit switched off, pour the recommended amount of cold water into the top of the egg cooker base.

Lightly butter or oil the poaching cups to be used – this will help prevent the eggs from sticking to the poaching pan.

Place the poaching pan onto the top of the cooking rack. Break the eggs into the poaching cups.

Add the clear cover to the egg cooker and plug the appliance into a suitable power supply. Switch the unit on. A light will illuminate in the switch.

The water in the base will heat up quickly and start to produce steam.



Warning: steam will escape from the steam release hole in the cover during use.

An audible alert will sound when the eggs are ready – this will be after approximately 5-8 minutes. Switch the unit off and remove the plug from the electrical supply.

Be careful when removing the cover as steam will escape.

Using oven gloves or other suitable protection remove the poaching pan from the unit and remove the eggs. Use wooden or plastic utensils to remove the eggs so as not to damage the non-stick coating.

Allow the egg cooker to cool completely before discarding any remaining water from the egg cooker and before cleaning the unit.

To soft cook eggs

A soft cooked egg has a soft runny egg yoke with a solid egg white.

Place the egg cooker on a dry level surface. Use the soft cooked water level markings on the measuring cup to determine the amount of water required.

Example: If cooking 7 soft cooked eggs fill the water to the 7 mark in the soft section moulded on the measuring cup – if cooking 1 soft cooked egg fill the water to the 1 mark in the soft section.

With the unit switched off, pour the recommended amount of cold water into the top of the egg cooker base.


Place the egg cooking rack onto the egg cooker base.

Using the egg pricker on the bottom of the measuring cup, prick the top of the egg to pierce the egg. This makes a small hole in the egg helping prevent the egg splitting during cooking.

Add the eggs to the egg cooking rack.

Add the clear cover to the egg cooker and plug the appliance into a suitable power supply. Switch the unit on. A light will illuminate in the switch.

The water in the base will heat up quickly and start to produce steam.

 **Warning:** steam will escape from the stem release hole in the cover during use.

An audible alert will sound when the eggs are ready – this will be after approximately 5-8 minutes. Switch the unit off and remove the plug from the electrical supply.

Be careful when removing the cover as steam will escape.

Using oven gloves or other suitable protection remove the eggs from the cooking rack and serve immediately to

prevent over cooking. Eggs may be rinsed under cool water whilst in the cooking rack to allow easier handling. The egg cooker rack has two handles to aid handling.

Allow the egg cooker to cool completely before discarding any remaining water from the egg cooker and before cleaning the unit.

To hard cook eggs

A hard cooked egg has a solid egg yoke with a solid egg white.

Place the egg cooker on a dry level surface. Use the soft cooked water level markings on the measuring cup to determine the amount of water required.

Example: If cooking 7 hard cooked eggs fill the water to the 7 mark in the hard section moulded on the measuring cup – if cooking 1 hard cooked egg fill the water to the 1 mark in the hard section.

With the unit switched off, pour the recommended amount of cold water into the top of the egg cooker base.


Place the egg cooking rack onto the egg cooker base.

Using the egg pricker on the bottom of the measuring cup, prick the top of the egg to pierce the egg. This makes a small hole in the egg helping prevent the egg splitting during cooking.

Add the eggs to the egg cooking rack.

Add the clear cover to the egg cooker and plug the appliance into a suitable power supply. Switch the unit on. A light will illuminate in the switch.

The water in the base will heat up quickly and start to produce steam.

 **Warning:** Steam will escape from the stem release hole in the cover during use.

An audible alert will sound when the eggs are ready – this will be after approximately 15 - 19 minutes. Switch the unit off and remove the plug from the electrical supply.

Be careful when removing the cover as steam will escape.

Using oven gloves or other suitable protection remove the eggs from the cooking rack and serve immediately to prevent over cooking. Eggs may be rinsed under cool water whilst in the cooking rack to allow easier handling. The egg cooker rack has two handles to aid handling.

Allow the egg cooker to cool completely before discarding any remaining water from the egg cooker and before cleaning the unit.

For easy peeling, crack the egg shell all over by tapping onto a hard surface.

Warning

When the buzzer activates switch the unit off to prevent the unit operating without water – this will cause damage to the unit.

Avoid steam from the steam release hole in the cover during use.

Be careful when using the egg pricker in the measuring cup.

Surfaces will be hot during use and for sometime afterwards.

Do not immerse the egg cooker base in water.

After use

- Switch off and remove the plug from the socket before leaving the appliance unattended and before changing, cleaning or inspecting any parts of the appliance.

- When not in use, the appliance should be stored in a dry place. Children should not have access to stored appliances.

Cleaning and maintenance

Warning! Before cleaning and maintenance, switch the appliance off, remove the plug from the socket and allow the appliance to cool.

Warning! Do not immerse the appliance or the cord set or the plug in water or any other liquid.

- Do not wash any part of the unit in a dishwasher.
- Wipe the exterior with a damp cloth.
- Do not use scouring pads.
- If necessary, use a mild detergent to remove spots. Do not use any abrasive or solvent based cleaner.

Technical Data:

EG100		
Voltage	V	220-240
Power	W	350
Weight	Kg	0.5



Protecting the environment

Separate collection. This product must not be disposed of with normal household waste.

Should you find one day that your Black & Decker product needs replacement, or if it is of no further use to you, do not dispose it off with other household waste. Make this product available for separate collection.



Separate collection of used products and packaging allows materials to be recycled and used again. Use of recycled materials helps prevent environmental pollution and reduces the demand for raw materials.

Local regulations may provide for separate collection of electrical products from the household, at municipal waste sites or by the retailer when you purchase a new product.

Black & Decker provides a facility for the collection and recycling of Black & Decker products once they have reached the end of their working life. To take advantage of this service please return your product to any authorised repair agent who will collect them on our behalf. You can check the location of your nearest authorised repair agent by contacting your local Black & Decker office at the address indicated in this manual. A list of authorised Black & Decker repair agents and full details of our after-sales service and contact are available on the Internet at: www.2helpU.com

BLACK & DECKER HOME APPLIANCE 2 YEAR WARRANTY

Black & Decker provides a 2 Year Warranty for this product from the date of purchase against defects due to defective materials or workmanship. Motor/element burn-outs due to voltage fluctuations are not covered under warranty. If the product should become defective within the warranty period, Black & Decker will repair or (at Black & Decker's discretion) replace it free of charge.

The warranty provisions do not cover failure due to accident, misuse, abuse, negligence or non observation of local regulations on the part of the user. Equally, the warranty provisions do not apply where the appliance has been serviced by a person not authorized by Black & Decker or serviced with non-approved parts and this has contributed to the fault of the product. Superseded models without a replacement equivalent will either be repaired or (at Black & Decker's discretion) replaced with another product of similar retail value.

UPON PURCHASE

Fill in the Warranty Registration Card with the original Authorized Dealer's stamp (indicating date of purchase) and attach your purchase receipt to it. Retain in case of claims in the future.

MAKING A CLAIM

Take your defective product together with the Warranty Registration Card & purchase receipt to your local service Centre. You can either do this in person or send it freight prepaid. If mailing or shipping your appliance, ensure that it is packed carefully in a sturdy carton with enough packing material to prevent damage. Include a note describing the problem to the service Centre and be sure to give your return address.

DESIGNED FOR DOMESTIC PURPOSES ONLY.

حماية البيئة



يجب عدم التخلص من هذا المنتج مع بقية النفايات المنزلية.

إذا وجدت في يوم من الأيام أنك بحاجة لشراء جهاز بلاك أند ديكر جديد، أو لم تعد بحاجة للجهاز القديم، لا تتخلص منه مع النفايات المنزلية الأخرى. جهز هذا المنتج للإستلام المنفصل.

الإستلام المنفصل للمنتجات المستعملة ومواد التغليف يسمح بإعادة تصنيع المواد واستعمالها من جديد. إستعمال المواد المعاد تصنيعها يساعد على منع التلوث البيئي ويقلل الطلب على المواد الأولية.

الأنظمة المحلية قد تنص على ضرورة الإستلام المنفصل للمنتجات الكهربائية من المنازل، في مواقع البلدية للنفايات أو بواسطة بائع التجزئة عندما تشتري منتجاً جديداً.

توفر بلاك أند ديكر التسهيلات لاستلام وإعادة تصنيع منتجات بلاك أند ديكر عندما تصل إلى نهاية حياتها العملية. للإستفادة من هذه الخدمة، يرجى إعادة جهازك إلى أي وكيل تصليح معتمد والذي سيقوم باستلامه بالنيابة عنا. يمكنك معرفة موقع أقرب وكيل تصليح معتمد بالنسبة لك بمراجعة مكتب بلاك أند ديكر المحلي على العنوان المبين في هذا الكتيب. تتوفر قائمة بأسماء وكلاء التصليح المعتمدين من بلاك و ديكر، كما تتوفر تفاصيل كاملة عن خدمات ما بعد البيع وعناوين الاتصال على شبكة الإنترنت

نت : www.2helpU.com

ضمان شامل لمدة سنتين لأجهزة BLACK & DECKER المنزلية

تمنح Black & Decker ضماناً شاملاً مدته سنتين لهذا المنتج اعتباراً من تاريخ الشراء. يغطي الضمان عيوب التصنيع أو المواد الداخلة في التصنيع. وفي حالة إصابة المنتج بأي عطل أثناء فترة الضمان، ستقوم شركة بإصلاحه أو (وفقاً لتقدير Black & Decker) استبداله مجاناً.

لا يغطي الضمان الأعطال الناتجة عن الحوادث، سوء الاستعمال، الإهمال، الاستعمال الخاطئ، أو عدم اتباع النظم المعمول بها محلياً. كذلك، لا تطبق شروط الضمان إذا تمت صيانة أو تصليح المنتج لدى طرف غير معتمد من قبل شركة Black & Decker وفي حالة استخدام قطع غيار بدون الرجوع إلى الشركة أو الحصول على موافقتها، وتسببت هذه القطع في العطل. وإذا توقف إنتاج أي طراز مع عدم وجود البديل المناسب، فإن لشركة Black & Decker حق اختيار إصلاح المنتج أو استبداله بطراز آخر بنفس القيمة الشرائية.

عند الشراء

املاً بطاقة تسجيل الضمان مع التأكد من وجود الختم الأصلي للتاجر المعتمد (وتوضيح تاريخ الشراء) ثم ارفق إيصال الشراء بالبطاقة. الرجاء الاحتفاظ بهما لإبرازهما في حالة وجود مطالبات في المستقبل.

عملية المطالبة

خذ المنتج المعطل مع بطاقة الضمان وإيصال الشراء بنفسك إلى مركز الصيانة المحلي أو يمكنك إرساله بالبريد المدفوعة أجرته سلفاً. وفي حالة إرسال الجهاز بالبريد أو الشحن، تأكد من تفرغ المنتج من الماء كلياً وقم بتغليفه جيداً في صندوق كرتوني مع إضافة مواد تغليف لملء الفراغات لتفادي إصابته بأي ضرر. ارفق ملاحظة تصف فيها المشكلة لمركز الصيانة وتأكد من كتابة عنوانك.

صمم للاستعمالات المنزلية فقط.

التنظيف والصيانة

تحذير! قبل التنظيف أو الصيانة، قم بإيقاف تشغيل الجهاز وإزالة القابس من مأخذ الكهرباء واترك الجهاز حتى يبرد.

تحذير! لا تغمر الجهاز أو السلك أو القابس في الماء أو أي سائل آخر.

- لا تغسل أي جزء من الوحدة في غسالة الأطباق.
- نظف السطح الخارجي باستخدام قطعة قماش مبللة.
- لا تستخدم إسفنجة التنظيف.
- إذا لزم الأمر، استخدم منظف خفيف لإزالة البقع. ولا تستخدم أية منظفات كاشطة أو مذيبة.

البيانات الفنية

EG100		
٢٤٠-٢٢٠	فولت	لجهد
٣٥٠	وات	لطاقاة
٠,٥	كجم	الوزن

سوف يتم سماع إشارة صوتية عند اكتمال نضج البيض - سوف يحدث ذلك بعد ١٥-١٩ دقيقة تقريباً. قم بإيقاف تشغيل الوحدة وإزالة القابس من مصدر التيار الكهربائي.

توخ الحرص عند إزالة الغطاء حيث سوف يتصاعد البخار.

مستخدمًا قفازات الفرن أو أية أداة حماية أخرى مناسبة، قم باستخراج البيض وتقديمه على الفور لتجنب الطهي الزائد. يمكن شطف البيض بالماء البارد أثناء وجوده في حامل الطهي لسهولة التعامل معه. حامل طهي البيض مزود بمقبضين لسهولة استخدامه.

اترك جهاز طهي البيض حتى يبرد تمامًا قبل التخلص من أي ماء متبقي في جهاز طهي البيض وقبل تنظيف الوحدة.

لتسهيل عملية تقشير البيض، اكسر قشرة البيضة من خلال ضربها برفق في سطح صلب.

تحذير

عند تنشيط المنبه، قم بإيقاف تشغيل الوحدة لمنع تشغيل الوحدة دون احتوائها على ماء؛ حيث سوف يؤدي ذلك إلى تلف الوحدة.

تجنب البخار المتصاعد من فتحة تصريف البخار في كوب المعاييرة.

ينبغي الحرص عند استخدام وحدة ثقب البيض الموجودة في وعاء المعاييرة.

سوف تصبح الأسطح ساخنة أثناء الاستخدام وتظل كذلك لبعض الوقت بعد الاستخدام.

لا تغمس وحدة طهي البيض في الماء.

بعد الاستخدام

• قم بإيقاف تشغيل الجهاز وانزع القابس من مأخذ الكهرباء عند عدم استخدام الجهاز أو قبل تغيير أي من أجزائه أو تنظيفها أو صيانتها.

• في حالة عدم استخدام الجهاز، يجب تخزينه في مكان جاف. ويجب عدم تمكين الأطفال من الوصول إلى الأجهزة المخزنة.

طهو البيض الرخو

البيض المطهو بطريقة طهو البيض الرخو عبارة عن بيض يحتوي على مخ بيض رخو ومائع وزلال بيض صلب.

ضع جهاز طهي البيض فوق سطح جاف مستو. استخدم علامات مستوى ماء الطهي الرخو الموجودة على كوب المعايرة لتحديد كمية الماء المطلوب استخدامها.

مثال: في حالة طهي ٧ بيضات بطريقة طهو البيض الرخو، قم بتعبئة الماء حتى العلامة رقم ٧ في قسم الطهو الرخو المرفق بكوب المعايرة - في حالة طهي بيضة واحدة بطريقة طهو البيض الرخو، قم بتعبئة الماء حتى العلامة رقم ١ في قسم الطهو الرخو. أثناء إيقاف تشغيل الوحدة، قم بصب كمية الماء البارد الموصى بها في أعلى وحدة طهي البيض.

ضع حامل طهي البيض فوق وحدة طهي البيض.

استخدم وحدة ثقب البيض الموجودة في أسفل كوب المعايرة لثقب أعلى البيضة. يؤدي ذلك إلى عمل فتحة صغيرة في البيضة؛ مما يساعد في منع تفتق وتبعثر البيض أثناء الطهي.

قم بإضافة البيض إلى حامل طهي البيض.

قم بوضع الغطاء الشفاف فوق جهاز طهي البيض وقم بتوصيل الجهاز بمصدر تيار كهربائي مناسب. قم بتشغيل الوحدة، سوف يضيء المصباح الموجود في المفتاح.

سوف يسخن الماء الموجود في وحدة الطهي سريعاً ويبدأ البخار في التصاعد منه.

تحذير! سوف يتصاعد البخار أثناء الاستخدام من فتحة تصريف البخار الموجودة في الغطاء.



سوف يتم سماع إشارة صوتية عند اكتمال نضج البيض - سوف يحدث ذلك بعد ٥-٨ دقائق تقريباً. قم بإيقاف تشغيل الوحدة وإزالة القابس من مصدر التيار الكهربائي.

توخ الحرص عند إزالة الغطاء حيث سوف يتصاعد البخار.

مستخدمًا قفازات الفرن أو أية أداة حماية أخرى مناسبة، قم باستخراج البيض وتقديمه على الفور لتجنب الطهي الزائد. يمكن

شطف البيض بالماء البارد أثناء وجوده في حامل الطهي لسهولة التعامل معه. حامل طهي البيض مزود بمقبضين لسهولة استخدامه.

اترك جهاز طهي البيض حتى يبرد تمامًا قبل التخلص من أي ماء متبقي في جهاز طهي البيض وقيل تنظيف الوحدة.

طهو البيض الصلب

البيض المطهو بطريقة طهو البيض الصلب عبارة عن بيض يحتوي على مخ بيض صلب وزلال بيض صلب.

ضع جهاز طهي البيض فوق سطح جاف مستو. استخدم علامات مستوى ماء الطهي الرخو الموجودة على كوب المعايرة لتحديد كمية الماء المطلوب استخدامها.

مثال: في حالة طهي ٧ بيضات بطريقة طهو البيض الصلب، قم بتعبئة الماء حتى العلامة رقم ٧ في قسم الطهو الصلب المرفق بكوب المعايرة - في حالة طهي بيضة واحدة بطريقة طهو البيض الصلب، قم بتعبئة الماء حتى العلامة رقم ١ في قسم الطهو الصلب.

أثناء إيقاف تشغيل الوحدة، قم بصب كمية الماء البارد الموصى بها في أعلى وحدة طهي البيض.

ضع حامل طهي البيض فوق وحدة طهي البيض.

استخدم وحدة ثقب البيض الموجودة في أسفل كوب المعايرة لثقب أعلى البيضة. يؤدي ذلك إلى عمل فتحة صغيرة في البيضة؛ مما يساعد في منع تفتق وتبعثر البيض أثناء الطهي.

قم بإضافة البيض إلى حامل طهي البيض.

قم بوضع الغطاء الشفاف فوق جهاز طهي البيض وقم بتوصيل الجهاز بمصدر تيار كهربائي مناسب. قم بتشغيل الوحدة، سوف يضيء المصباح الموجود في المفتاح.

سوف يسخن الماء الموجود في وحدة الطهي سريعاً ويبدأ البخار في التصاعد منه.

تحذير! سوف يتصاعد البخار أثناء الاستخدام من فتحة تصريف البخار الموجودة في الغطاء.



الأجزاء

أ الغطاء

ب مقبض الغطاء

ج فتحة تصريف البخار

د وعاء السلق

هـ حامل الطهي

و وحدة طهي البيض

ز مفتاح التشغيل/إيقاف التشغيل (On/Off)

ح كوب المعايرة

ط وحدة ثقب البيض

قبل الاستخدام لأول مرة

- قم بإزالة كافة مواد التغليف من الجهاز.
- قبل الاستخدام لأول مرة، اغسل الغطاء ووعاء السلق وحامل الطهي في ماء دافئ كثير الرغوة وجففها جيداً.
- نظف وحدة طهي البيض باستخدام قطعة قماش.

تحذير! لا تغمس وحدة طهي البيض في الماء.

الاستخدام

يمكنك طهي ما يصل إلى ٣ بيضات بالماء أو سلق ما يصل إلى ٧ بيضات بطريقة طهي البيض الرخو أو طهي البيض الصلب.

في حالة عدم استخدام جهاز طهي البيض لسلق البيض، قم بإزالة وعاء سلق البيض من الوحدة.

قم بإضافة كمية الماء المطلوبة إلى وحدة طهي البيض باستخدام الدليل المرفق بكوب المعايرة. هذه الكميات تقريبية ويمكن تغييرها لكي تتناسب مع عمليات الأداء الفردية.

سلق البيض

ضع جهاز طهي البيض فوق سطح جاف مستو. استخدم علامات مستوى ماء الطهي المتوسط الموجودة على كوب المعايرة لتحديد كمية الماء المطلوب استخدامها، لسلق بيضة واحدة قم بتعبئة

الماء حتى العلامة رقم ٧، ولسلق بيضتين قم بتعبئة الماء حتى العلامة رقم ٦ ولسلق ثلاث بيضات قم بتعبئة الماء حتى العلامة رقم ٥.

ملاحظة: كلما زاد عدد البيض المراد طهيه، زادت كمية الماء المطلوبة.

أثناء إيقاف تشغيل الوحدة، قم بصب كمية الماء البارد الموصى بها في أعلى وحدة طهي البيض.

يُستحسن إضافة قليل من الزبد أو الزيت إلى أكواب السلق؛ حيث سوف يعمل ذلك على منع التصاق البيض بوعاء السلق.

ضع وعاء السلق فوق حامل الطهي. اكسر البيض في أكواب السلق. قم بوضع الغطاء الشفاف فوق جهاز طهي البيض وقم بتوصيل الجهاز بمصدر تيار كهربائي مناسب.

قم بتشغيل الوحدة، سوف يضيء المصباح الموجود في المفتاح. سوف يسخن الماء الموجود في وحدة الطهي سريعاً ويبدأ البخار في التصاعد منه.

تحذير! سوف يتصاعد البخار أثناء الاستخدام من فتحة تصريف البخار الموجودة في الغطاء.



سوف يتم سماع إشارة صوتية عند اكتمال نضج البيض - سوف يحدث ذلك بعد ٥-٨ دقائق تقريباً. قم بإيقاف تشغيل الوحدة وإزالة القابس من مصدر التيار الكهربائي.

توخ الحرص عند إزالة الغطاء حيث سوف يتصاعد البخار.

مستخدمًا قفازات الفرن أو أية أداة حماية أخرى مناسبة، قم بإزالة وعاء السلق من الوحدة وقم باستخراج البيض. استخدم أدوات خشبية أو بلاستيكية لاستخراج البيض من أجل عدم إتلاف الطبقة المانعة للتصاق.

اترك جهاز طهي البيض حتى يبرد تمامًا قبل التخلص من أي ماء متبقي في جهاز طهي البيض وقبل تنظيف الوحدة

الفحص والإصلاح

- يمكن استخدام كبل توصيل إضافي يصل طوله إلى ٣٠ متراً (١٠٠ قدم) دون حدوث أي فقدان للطاقة.
- يلزم توافق قوابس التيار الكهربائي مع مصدر التيار الكهربائي. تجنب مطلقاً تعديل القابس بأية طريقة، ولا تستخدم أية قوابس مهايئ مع الأجهزة الموصولة بالتأريض (الفئة ١). سوف تؤدي القوابس غير المعدلة ومصادر التيار الكهربائي المتوافقة إلى تقليل خطر التعرض لصدمة كهربائية.

متطلبات سلامة بأجهزة طهي البيض

- يمكن أن يتصاعد البخار من الوحدة عند إزالة الملحقات أو الغطاء (أ) أو من خلال فتحة تصريف البخار (ج).
- يرجى توخي الحذر عند التعامل مع جهاز طهي البيض؛ لأن الغطاء وسطح الطهي والملحقات تصبح ساخنة أثناء الاستخدام، ويمكن أن تظل هذه الأجزاء ساخنة لبعض الوقت بعد الاستخدام.

السلامة الكهربائية



يلزم تأريض هذا المنتج. وينبغي التأكد دائماً من توافق مصدر التيار الكهربائي مع الجهد الموضح على لوحة التقنين.

- حافظ على نظافة لوحة التسخين وخلوها من أية مواد غريبة. حافظ دائماً على نظافة الوحدة.
- لا تشغل الوحدة دون القيام أولاً بإضافة الماء.
- لا تضع الوحدة بالقرب من غاز ساخن أو موقد كهربائي أو في فرن ساخنة.

في حالة تلف سلك التيار الكهربائي، يجب استبداله من قبل الشركة المصنعة أو مركز صيانة بلاك أند ديكر معتمد لتجنب المخاطر.

- لتجنب خطورة التعرض لصدمة كهربائية، يلزم تجنب غمس السلك أو القابس أو الجهاز في الماء أو أي سائل آخر.

كبلات التوصيل الإضافي ومنتجات الفئة "١"

- ضع جهاز طهي الأرز فوق سطح مستو.
- قد تصبح الأسطح التي يمكن الوصول إليها ساخنة أثناء التشغيل.

في حالة الحاجة إلى استخدام سلك تمديد، يتعين استخدام كبل ثلاثي الأطراف؛ لأن هذا الجهاز من الأجهزة التي بها تأريض ومن منتجات الفئة "١".

غرض الاستخدام

- جهاز طهي البيض بلاك آند ديكر مصمم لطهي البيض على النحو الموضح في هذا الدليل. لا تستخدم هذا الجهاز في أية أغراض أخرى. هذا المنتج مصمم للاستخدام المنزلي فقط.

تعليمات السلامة

- لا تستخدم الجهاز بالقرب من المواد القابلة للاشتعال والنافجار.
- لا تستخدم الجهاز في أغراض خارج المنزل.
- ينبغي دائماً حماية الجهاز من الماء أو الرطوبة الزائدة.
- لا تحرك الجهاز أثناء استخدامه.
- لا تشغل الجهاز ويديك مبتلئين.
- لا تشغل الجهاز عندما تكون حافي القدمين.
- في حالة تلف سلك التيار الكهربائي أثناء الاستخدام، ينبغي القيام على الفور بفصل الجهاز عن مصدر التيار الكهربائي. وينبغي تجنب لمس سلك التيار الكهربائي قبل فصله عن مصدر التيار الكهربائي.

ينبغي قراءة هذا الدليل بعناية قبل استخدام



الجهاز.

- الغرض من الاستخدام موضح في هذا الدليل. وإن استخدم أية ملحقات أو وحدات مرفقة أو تنفيذ أية عملية باستخدام هذا الجهاز غير تلك الموصى بها في هذا الدليل قد ينطوي على خطورة التعرض لإصابة شخصية.
- يرجى الاحتفاظ بهذا الدليل للرجوع إليه مستقبلاً.
- لا تلمس الأسطح الساخنة.
- ينبغي دائماً توخي الحذر والحرص عند استخدام الجهاز.
- لا تحاول مطلقاً شد سلك التيار الكهربائي لفصل القابس عن المقبس.
- احتفظ بسلك التيار الكهربائي بعيداً عن الحرارة والزيت والحواف الحادة.
- افرد سلك التيار الكهربائي بدقة بحيث لا يتعلق فوق حواف سطح العمل أو المنضدة.
- ينبغي دائماً وضع الجهاز فوق سطح مستو مع وجود فراغ كاف حول جميع الجوانب.
- لا تضع الجهاز أسفل المقبس أو فوق سطح رطب أو منزلق.
- لا تضع الجهاز فوق مصادر الحرارة أو بالقرب منها أو في فرن ساخنة.

سلامة الآخرين

- يلزم عدم ترك الجهاز دون متابعة أثناء استخدامه.
- لا تسمح للأطفال، أو أي شخص غير مطلع على هذه الإرشادات، باستخدام هذا الجهاز.
- لا تسمح للأطفال أو الحيوانات بالاقتراب من منطقة العمل أو لمس الجهاز أو سلك التيار الكهربائي.
- يلزم توخي الحذر والمتابعة الدقيقة عند استخدام الجهاز بالقرب من الأطفال.
- هذا الجهاز غير مصمم ليستخدمه الأشخاص ذوو القدرات الجسدية والذهنية والحسية والعقلية المتدنية والخبرة والمعرفة القليلتين (بما في ذلك الأطفال) إننا في ظل الإشراف عليهم أو إعطائهم التعليمات المتعلقة باستخدام الجهاز من قبل الشخص المسؤول عن سلامتهم.
- يلزم الإشراف على الأطفال لضمان عدم عبثهم بالجهاز.

تعريف الأجزاء

أ الغطاء

ب مقبض الغطاء

ج فتحة تصريف البخار

د وعاء السلق

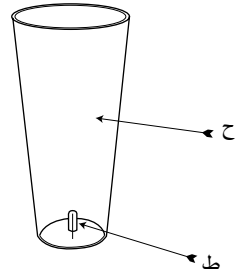
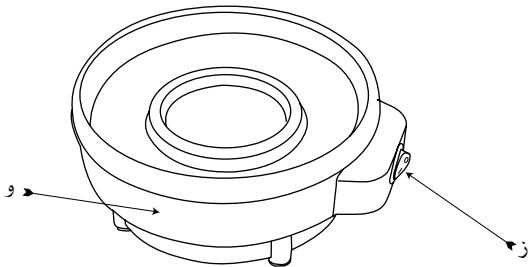
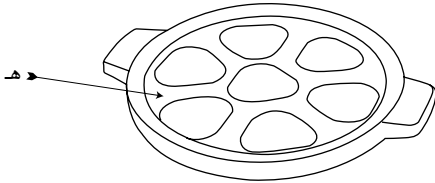
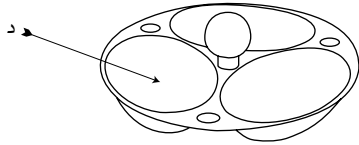
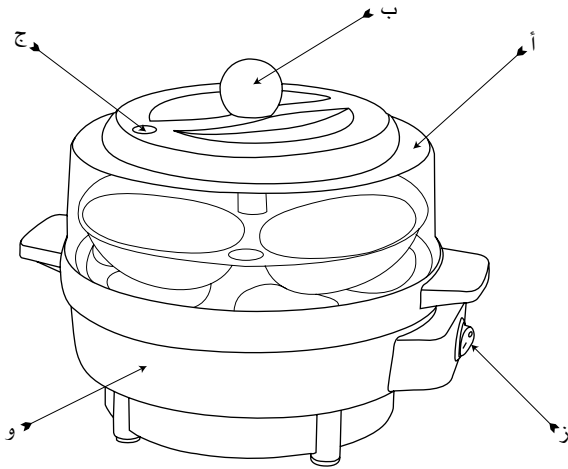
هـ حامل الطهي

و وحدة طهي البيض

ز مفتاح التشغيل/إيقاف التشغيل (On/Off)

ح كوب المعايرة

ط وحدة ثقب البيض



Names & Addresses for Black & Decker Service Concessionaries

Afghanistan: Ishan National Co., Opp. Ministry of Justice, Kabul. Tel.: +93-2-2101727. **Algeria:** SARL Outillage Corporation, 04 Route De Dely Brahim Cheraga, Alger. Tel.: +213-21-364363/508, Fax: +213-21-369667. **Bahrain:** Fawaz Al Zayani, P.O.Box 26563, Adliya, Manama. Tel.: +973-17-715252/712756, Fax: +973-17-713789. **Bangladesh:** Ultra Corporation, 8, Kushol Centre, Uttara, Dhaka 1230. Tel.: +880-2-8919272/9756 Ext.28, Fax: +880-2-9887167. **Egypt:** Anasia Egypt for Trading S. A. E., P.O.Box 2443, 110 Mostafa Refaat Street, Sheraton Heliopolis 11361, Cairo. Tel.: +20-2-2684159, Fax: +20-2-2684169. **Ethiopia:** Tewfik Sherif & Co. Ltd., P.O.Box 5583, Debre Zeit Road, Addis Ababa. Tel.: +251-1-651700/601, Fax: +251-1-650570. **India:** Gryphon Impex Pvt. Ltd., D-6/4, Okhla Industrial Area, Phase-I, New Delhi-110020. Tel.: +91-11-26372602-4, Fax: +91-11-26372601. **Iran:** Tehran - Service Centre of Iran, No 510, South Karger Ave, Below Pasteur Sq. Tehran. Tel.: +98-21-6490608/0656/6407672. **Kish Island:** Cayhan Electric Co., No. 69, Paradise Shopping Centre, Kish Island. Tel.: +98-76444-22894. **Jordan:** Bashiti Hardware, P.O.Box 1564, TLA Ali, Amman. Tel.: +962-6-5350009/4770741, Fax: +962-6-5350012/4789783. **Kenya:** Zylgo Enterprises, IPS Building, Kuanda Street, P.O.Box 40877, Nairobi. Tel.: +254-2-338188/199, Fax: +254-2-330642. **Kuwait:** Al Omar Technical Co., P.O.Box 4062, 13041 Safat, Kuwait. Tel.: +965-4848595/0039, Fax: +965-4845652. **Lebanon:** Est. F.A. Kettaneh SA, P.O.Box 110242, Dora Highway, Kettaneh Building, Beirut. Tel.: +961-1-255860/6, Fax: +961-1-255891. **Libya:** El Ghoul Brothers, P.O.Box 348, Islamic Call Bldg., Office 201-202, Benghazi. Tel.: +218-61-9097681/4183, Fax: +218-61-9094123. **Madagascar:** Group Tana Confort S. A. R. L., B. P. 1770, Antananarivo. Tel.: +261-20-2264505, Fax: +261-20-2264244. **Malta:** John G. Cassar Ltd., 36 Victory Str, Qormi QRM 06, Malta. Tel.: +356-21-493251, Fax: +356-21-483231. **Mauritius:** Happy World Marketing Ltd., Block 2, Industrial Estate, Coromandel, P.O.Box 429, Port Louis. Tel.: +230-2076700, Fax: +230-2337330/7400. **Nepal:** Universal Trading Centre, P.O.Box 1947, Tripureswor, Kathmandu. Tel.: +977-1-262192/260587/785, Fax: 261154. **Nigeria:** Amin Bros. Eng. Co. Ltd., 30A (Plot 1291), Akin Adesola Street, Victoria Island, Lagos. Tel.: +234-1-3201778, Fax: +234-1-2613667. **Oman:** Oman Mktg. & Service Co., P.O.Box 2734, Ruwi, Muscat. Tel.: +968-560232, Fax: +968-560255. **Pakistan:** Karachi - Ammar Service & Spares, 60, Bank Arcade, Serai Road, Karachi. Tel.: +92-21-2426905, Fax: 2427214/5243. **Pakistan:** Lahore - Electronics Inn, 212-G Raja Centre, Main Market, Gulberg, Lahore. Tel.: +92-42-5756750. **Philippines:** Modern House International Enterprises, 213 Rizal Ave. Extension, between 2nd and 3rd Ave. Kalookan City. Tel.: +632 366-4487, Fax: +632 366-4489. **Qatar:** Al Muffah Trading & Cont., P.O.Box 875, Doha. Tel.: +974-4650880/4446868, Fax: +974-4441415. **Saudi Arabia:** Dammam - Ebrahim Fawaz Al Zayani, P.O.Box 76026, Al Raka, Dammam. Tel.: +966-3-8140914, Fax: +966-3-8140824. **Jeddah:** Anasia Trading Co. Ltd. Caravan Shopping Centre, Hail Street. P. O. Box 50959, Jeddah-21477, Tel. 02 650 0948/02 636 3825, Fax 02 638 0720. **Madina:** Garziz Trdg. for Bldg. Mat.&Decor., P.O.Box 3364, Madina. Tel.: +966-4-8261490/8227636, Fax: +966-4-8265741. **Riyadh:** Anasia Trading Co Ltd. New Akaria Building, 60th St., 3rd Floor, Building # 4, Office # 3402, Malaz. P. O. Box. 18689, Riyadh-11425, Tel.: 01 478 2549, Fax: 01 478 2761. **Yanbu:** Bin Afif, P.O.Box 530 Yanbu, Al Bahr. Tel.: +966-4-3222626/8867, Fax: +966-4-3222210. **Sri Lanka:** Delmege Gen. Equip. Pvt. Ltd., No. 428/1AT. B., Jaya Mawatha (Darley Road), Colombo-10. Tel.: +94-11-2665914, Fax: +94-11-2665915. **Sudan:** United Distribution Company, P.O.Box 325, Sayed Abdul Rehman Street, Khartoum. Tel.: +249-11-772612/777296, Fax: +249-11-770919. **Tanzania:** General Motors Investment, P. O Box 16541, 14 Vingunguti Nyerere Road, Dar Es Salaam. Tel.: +255-22-2862661/5022, Fax: +255-22-2862667/5412/3. **Tunisia:** STE Tunisienne De Quincaillerie Stq., Nvelle Z.I 2013, Ben Arous, Tunis, Tunisia, Tel: +216 71386102, Fax: +216 71380412. **UAE:** Abu Dhabi - Light House Electric., P.O.Box 120, Abu Dhabi. Tel.: +971-2-6726131, Fax: +971-2-6720667. Dubai - Black & Decker (O) A.G., P.O.Box 5420, Dubai. Tel.: +971-4-7028234/233, Fax: +971-4-2822765. Ideal Mach. & Equipt. R. W/shop P.O.Box 37116, Al Quoz, Dubai. Tel.: +971-4-3474160, Fax: +971-4-3474157. Sharjah - McCoy Middle East LLC, P.O.Box 20228, Sharjah. Tel.: +971-6-5336321, Fax: +971-6-5336320. **Uganda:** The Building Centre, Kitgum House, 52 Station Road, P.O.Box 7436, Kampala. Tel.: +256-41-234567, Fax: +256-41-236413. **Yemen:** Aden - Middle East Trad. Co. Ltd., Mulla Dakka, Aden. Tel.: +967-2-240950, Fax: +967-2-240952. **Sana'a:** Middle East Trad. Co. Ltd., P.O.Box 12363, Hayel Street, Sana'a. Tel.: +967-1-204201, Fax: +967-1-204204. **Taiz:** Middle East Trad. Co. Ltd., Campa area near Al-Kair mosque, Taiz. Tel.: +967-4-231610/232033, Fax: +967-4-219869. **Zimbabwe:** J.D.Distributors, P.O.Box 226, 17 Bessemer Road, Graniteside, Harare. Tel.: +263-4-753913-7, Fax: 753918. **Cyprus:** G. Kyprianou Trading Co Ltd., 51 Prodromou AVE. Strovolos, 1681, P.O. Box 23318 Nicosia Cyprus. Tel.: 00357 22 468170/1, Fax: 00357 22 468186, Email gktttd@spidernet.com.cy



WARRANTY REGISTRATION CARD

YOUR NAME/ الاسم

.....

YOUR ADDRESS العنوان

.....

.....

POSTCODE الرمز البريدي

DATE OF PURCHASE تاريخ الشراء

DEALER'S NAME & ADDRESS/ إسم و عنوان البائع

.....

.....

PRODUCT MODEL NO. EG100



Free Manuals Download Website

<http://myh66.com>

<http://usermanuals.us>

<http://www.somanuals.com>

<http://www.4manuals.cc>

<http://www.manual-lib.com>

<http://www.404manual.com>

<http://www.luxmanual.com>

<http://aubethermostatmanual.com>

Golf course search by state

<http://golfingnear.com>

Email search by domain

<http://emailbydomain.com>

Auto manuals search

<http://auto.somanuals.com>

TV manuals search

<http://tv.somanuals.com>