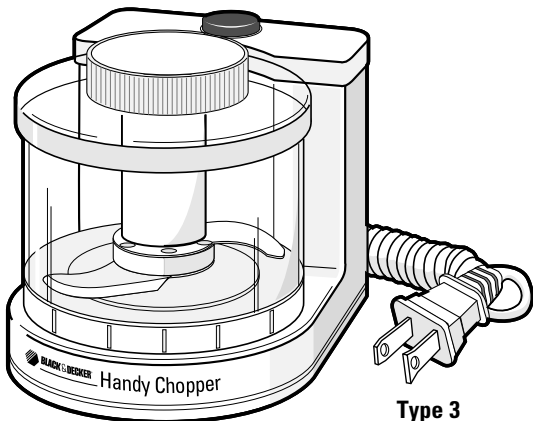


 **BLACK & DECKER<sup>®</sup>**

**SAVE THIS USE AND CARE BOOK**

# HandyChopper<sup>™</sup>

## Mincer/Chopper



**1-800-231-9786**  
QUESTIONS? Please call us TOLL FREE

**MODEL HC20**

Download from [www.Somanuals.com](http://www.Somanuals.com). All Manuals Search And Download.

# IMPORTANT SAFEGUARDS

When using electrical appliances, basic safety precautions should always be followed, including the following:

- Read all instructions.
- To protect against risk of electric shock, do not immerse cord, plug, or any non-removable parts in water or other liquid. To clean, wipe exterior with a damp cloth.
- Close supervision is necessary when any appliance is used by or near children.
- Unplug from outlet when not in use, before putting on or taking off parts, and before cleaning. To unplug, grasp plug and pull from electrical outlet. Never pull cord.
- Avoid contacting moving parts.
- Do not operate any appliance with a damaged cord or plug or after the appliance malfunctions, has been dropped, or damaged in any manner. Return the appliance to the nearest authorized service center for examination, repair, or adjustment.
- The use of attachments not recommended or by the appliance manufacturer may cause injuries.

- Do not use outdoors.
- Do not let cord hang over edge of table or counter or touch hot surfaces.
- The Blade is sharp. Handle carefully. Store out of reach of children.
- To avoid injury, never place Knife Blade on Base without first putting Bowl properly in place. Make sure Motor and Knife Blade have stopped completely before removing Lid.
- Be certain Lid is locked securely in place before operating appliance. Do not attempt to defeat the Lid interlock mechanism.
- This appliance is intended for processing small quantities of food; it is not intended to prepare large quantities of food at one time.
- Avoid running the motor continuously for periods over 1 minute.
- Do not operate the appliance when empty.
- Check Bowl for presence of foreign objects before operating.
- This appliance is intended for household use only, not for commercial or industrial use.

**SAVE THESE INSTRUCTIONS**

## TABLE OF CONTENTS

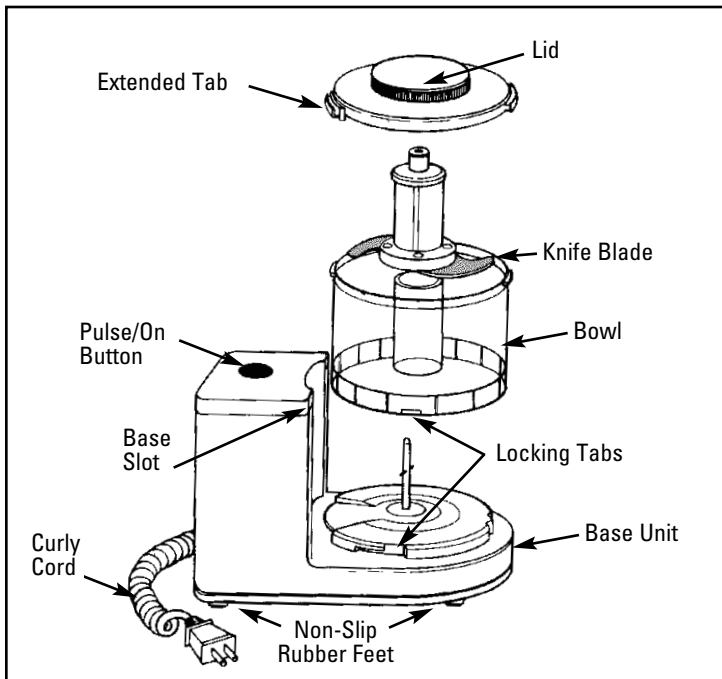
Important Safeguards .....	2
Parts of the HandyChopper™ Mincer/Chopper .....	5
To Assemble.....	6
To Use .....	7
Care And Cleaning .....	9
Storage .....	9
Chopping Guide .....	10
Need Service Or Accessories? .....	11
Full Two-Year Warranty .....	12

### **POLARIZED PLUG**

---

This appliance has a polarized plug—one blade is wider than the other. To reduce the risk of electric shock, this plug will fit into a polarized outlet only one way. If the plug does not fit fully into the outlet, reverse it. If it still does not fit, contact a qualified electrician. Do not attempt to defeat this safety feature by modifying the plug in any way.

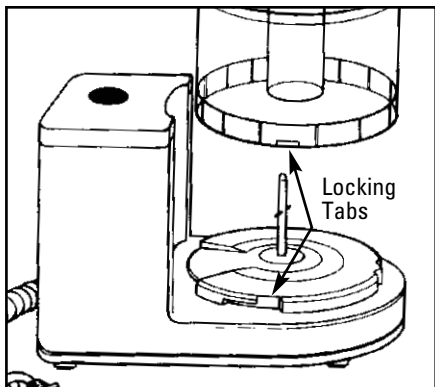
---



# How To Use

## **BEFORE FIRST USE**

1. Wash Bowl, Lid, and Knife Blade in warm, sudsy water or dishwasher and dry thoroughly. All of these parts are dishwasher-safe.



**Figure A**

2. Wipe off the Base/ Motor Housing with a damp cloth; do not immerse Base in water.

## **TO ASSEMBLE**

1. Place the Base Unit on a counter, or other flat work surface. The rubber feet will prevent the unit from slipping during operation.

2. Grasp the Bowl firmly and place it on the Base. Line up the Locking Tabs on the Bowl and the Base and turn clockwise until the Bowl locks into place. (Figure A)

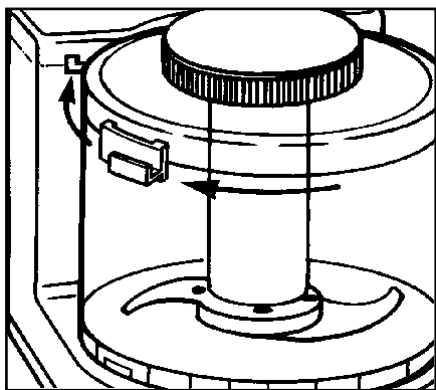
3. Slide the Knife Blade down over the shaft. Be careful not to touch the Blade as it is extremely sharp.

4. Place the Lid on the Bowl, with the Extended Tab on the same side as the Base Slot. Turn the Lid clockwise into the Base Slot as far as it will go.

---

**NOTE:** For your protection this unit has a Lid interlock system. The unit will not operate unless the Extended Tab is correctly locked into the Base Slot. Do not attempt to operate the unit without the Lid being correctly placed.

---

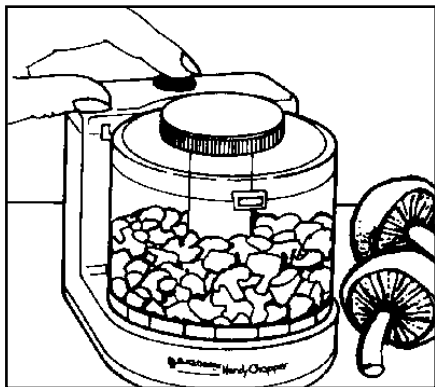


**Figure B**

## **TO USE**

1. Place food in Bowl. The HandyChopper™ Mincer/Chopper is designed to process about 1/2 cup of dry food at a time. (See "Chopping Guide", page 10.) Larger amounts should be processed in small batches.

2. Place the Lid on the Bowl, with the Extended Tab on the same side as the Base Slot. Turn the Lid clockwise into the Slot as far as it will go. (Figure B)



**Figure C**

3. Depress the Pulse/On Button for a few seconds. Be careful not to over-process as most foods process in less than 6 seconds. (Figure C)

---

**NOTE:** The longer the processing cycle, the finer the consistency. For coarsely chopped foods, use repeated short pulse action until the proper consistency is reached.

---

If the Chopper does not operate, review the "To Use" procedure. Check to be sure the Locking Tabs on the Bowl and the Extended Tab on the Lid are properly positioned.



4. Be sure the Blade has stopped turning completely before removing the Lid or placing a spatula in the unit.
5. Lift the Blade straight up by the Blade Shaft and move it away from you before emptying the contents of the Bowl.
6. Use a spatula to remove the processed food from the unit.

## **CARE AND CLEANING**

---

It is a good idea to wash out the Bowl, Knife Blade, and Lid immediately after usage either with warm, sudsy water or in the dishwasher. Wipe off the Base with a damp cloth - do not immerse in liquid.

The Bowl, Knife Blade, and Lid are all dishwasher-safe.

---

## **STORAGE**

---

Your HandyChopper™ Mincer/Chopper will always be ready to use whether you leave it sitting on a countertop or store it in a drawer. When the unit is not in use, leave it unplugged. Since the Knife Blade is extremely sharp, store it safely in the unit.

---

# Chopping Guide

<b>FOOD</b>	<b>PREPARATION HINTS</b>
Bread	Use 1 slice at a time. Break into 8 pieces.
Carrots or Celery	Cut into 1/2" lengths. Use up to 1/2 cup.
Chocolate - Square Chips	Use 1 square. Cut into 8 pieces; 1/2 cup chips. Pulse until desired texture is reached.
Cookies, Crackers	Break 6-8 into Bowl at one time.
Eggs - hard cooked	Peel; cut into quarters. Use 1-2 eggs.
Garlic	Peel. Use 1 or more large cloves.
Mushrooms	Halve small ones; quarter larger ones. Use up to 1/2 cup.
Nuts - Soft (pecans, walnuts)	Add up to 1 cup at a time; less for more coarse texture.
Nuts - Hard (peanuts, almond pieces)	Add up to 1/2 cup at a time; pulse to desired texture.
Onions - white, red, yellow	Peel 1 small or medium onion. Cut into 6-8 pieces.
Parsley	Wash; dry thoroughly. Pulse up to 1/2 cup until desired texture is reached.

## **NEED SERVICE OR ACCESSORIES?**

---

Service, if necessary, must be performed by a Black & Decker (U.S.) Inc. Household Appliance Company-Owned or Authorized Service Center. The Service Center nearest you can be found in the yellow pages of your phone book under "Appliances - Small - Repairing" or you may call the "800" number on the cover of this book for the nearest locations.

If mailing or shipping your HandyChopper™ Mincer/Chopper, pack it carefully in its original carton or any sturdy carton with enough packing material to prevent damage. Include a note describing the problem to our Service Center and be sure to give your return address. We also suggest that you insure the package for your protection.

Consumer-replaceable parts and accessories are available at Black & Decker (U.S.) Inc. Household Appliance Company-Owned or Authorized Service Centers.

---

## **FULL TWO-YEAR WARRANTY**

---

Black & Decker (U.S.) Inc. warrants this product against any defects that are due to faulty material or workmanship for a two-year period after the original date of consumer purchase or receipt as a gift. This warranty does not include damage to the product resulting from accident or misuse.

If the product should become defective within the warranty period, we will repair it or elect to replace it free of charge.

We will return your product, transportation charges prepaid, provided it is delivered prepaid to any Black & Decker (U.S.) Inc. Household Appliance Company-Owned or Authorized Service Center.

Answers to any questions regarding warranty or service locations may be obtained by calling toll free 1-800-231-9786 or by writing:

Consumer Assistance and Information  
Black & Decker (U.S.) Inc.  
626 Hanover Pike  
Hampstead, MD 21074-0618



50 Watts, 120V, 60Hz, AC Only  
Listed by Underwriters Laboratories, Inc.  
Copyright ©1988 - 1995 Black & Decker

Pub No. 688620-01-RV01  
Printed in Hong Kong

## Free Manuals Download Website

<http://myh66.com>

<http://usermanuals.us>

<http://www.somanuals.com>

<http://www.4manuals.cc>

<http://www.manual-lib.com>

<http://www.404manual.com>

<http://www.luxmanual.com>

<http://aubethermostatmanual.com>

Golf course search by state

<http://golfingnear.com>

Email search by domain

<http://emailbydomain.com>

Auto manuals search

<http://auto.somanuals.com>

TV manuals search

<http://tv.somanuals.com>