



## 360° Cordless Kettle



### First Use Safety Recommendation

Please read through this booklet for safe and efficient use of the appliance. We urge you to read the "Hint's" section and also follow all detailed instructions even if you are familiar with using this appliance.

Keep this guide handy for future reference.

English Page 02

Arabic Page 08

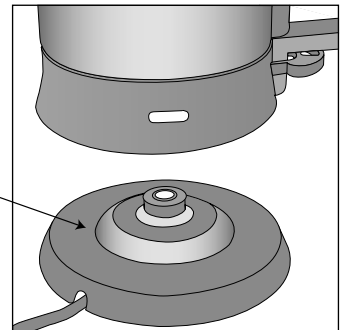
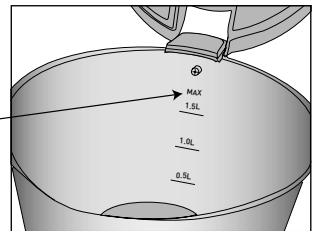
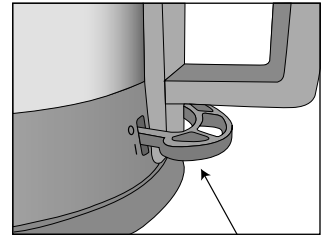
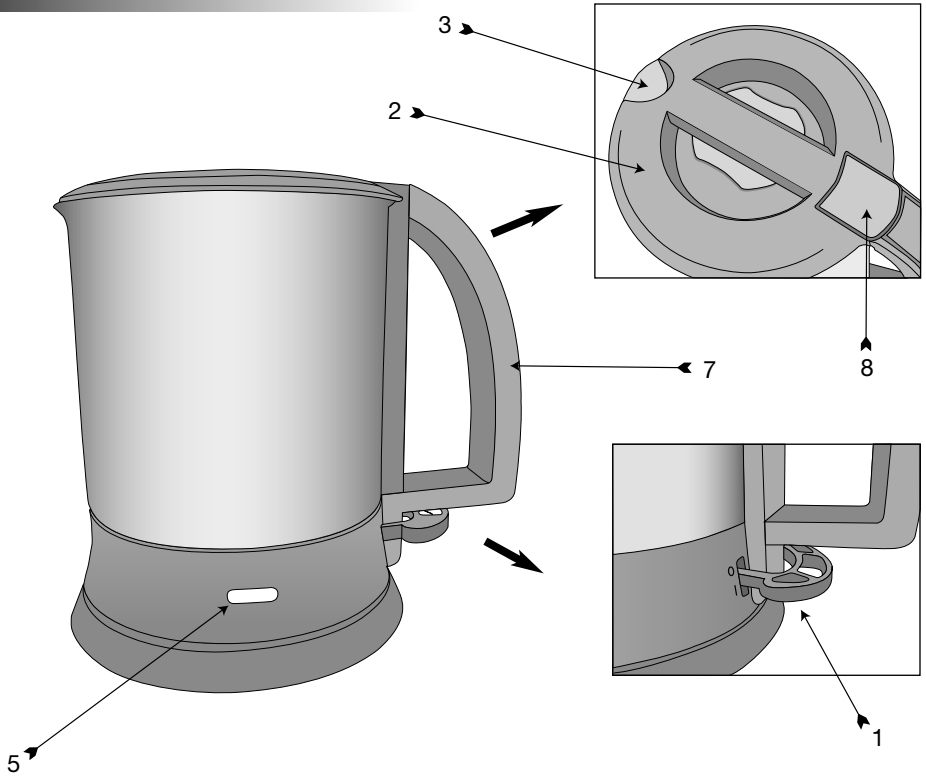
**JC200**

## IMPORTANT SAFEGUARDS

While using electrical appliances, in order to reduce the risk of fire, electric shock, and/or injury to persons, basic safety precautions should be followed, including the following:

- Read all instructions carefully, even if you are familiar with the appliance.
- To protect against the risk of electric shock, **DO NOT IMMERS**E the appliance, cord set or plug in water or other liquids.
- To clean, wipe the exterior with a damp cloth.
- Close supervision is necessary when any appliance is used near children. Never leave an appliance unattended when in use.
- If the supply cord is damaged, it must be replaced by the manufacturer or its service agent or a similarly qualified person in order to avoid a hazard.
- Switch off and remove the plug from the power outlet when not in use before assembling or disassembling parts, cleaning or carrying out any maintenance of the appliance. Never pull the cord while unplugging out from power outlet.
- Do not operate the appliance if its damage in any manner. Return the complete appliance to your nearest authorized service facility for examination, electrical repair, mechanical repair or adjustments to avoid any hazard.
- The use of attachments or accessories not recommended or sold by this appliance manufacturer may result in fire, electric shock or personal injury.
- Do not let the cord hang over the edge of a table, counter, or touch hot surfaces.
- Avoid touching hot surfaces, use handles and knobs.
- Do not operate or place any part of this appliance on or near any hot surfaces (such as gas or electric burner or in a heated oven).
- Do not abuse the cord. Never carry the appliance by the cord or yank it to disconnect it from the outlet; instead, grasp the plug and pull to disconnect.
- When using an extension cord with your appliance, make sure the extension cord is correctly wired, and rated for its use.
- This product is intended for household use only.
- Do not attempt to repair the appliance yourself; instead, take it to your Black & Decker-owned or Authorized Service Centre for repair.

**SAVE THESE INSTRUCTIONS**



### Parts Identification

- 1 On/off switch
- 2 Lid
- 3 Spout
- 4 Maximum fill mark
- 5 Power on indicator
- 6 Kettle base
- 7 Handle
- 8 Lid release button

### Intended use

Your Black & Decker kettle has been designed for boiling water as described in this manual. Do not use this appliance for any other purpose.

This product is intended for household use only.

### Warning symbols



The following symbols are used in this manual: Denotes risk of personal injury or damage to the product in case of non-observance of the instructions in this manual.



Denotes risk of electric shock.

### Important safeguards

**Warning!** When using mains-powered appliances, basic safety precautions, including the following, should always be followed to reduce the risk of fire, electric shock and personal injury.



Read this entire manual carefully before using the appliance.

- The intended use is described in this manual. The use of any accessory or attachment or the performance of any operation with this appliance other than those recommended in this instruction manual may present a risk of personal injury.
- Retain this manual for future reference.

### Using your appliance

- The temperature of accessible surfaces may be high when the appliance is operating.
- Do not touch hot surfaces.
- Always take care when using the appliance.
- Never pull the power supply cord to disconnect the plug from the socket. Keep the power supply cord away from heat, oil and sharp edges.
- Do not place the appliance on or near heat sources or in a heated oven.
- Do not use the appliance near flammable or explosive materials.
- Do not use the appliance outdoors.
- Operate the appliance only with dry hands.
- If the power supply cord is damaged during use, disconnect the appliance from the power supply immediately. Do not touch the power supply cord before disconnecting from the power supply.
- Disconnect the appliance from the power supply when not in use, before fitting or removing parts and before cleaning.
- Disconnect the appliance from the power supply before filling with water.
- This appliance is not intended to be operated by means of an external timer or separate remote-control system.

### Safety of others

- This appliance is not intended for use by persons (including children) with reduced physical, sensory or mental capabilities, or lack of experience and knowledge, unless they have been given supervision or instruction concerning use of the appliance by a person responsible for their safety.
- Children should be supervised to ensure that they do not play with the appliance.
- Do not allow children or any person unfamiliar with these instructions to use the appliance.
- Do not allow children or animals to come near the work area or to touch the appliance or power supply cord.
- Close supervision is necessary when the appliance is used near children.

### After use

- Remove the plug from the socket and let the appliance cool down before leaving it unattended and before changing, cleaning or inspecting any parts of the appliance.
- When not in use, the appliance should be stored in a dry place. Children should not have access to stored appliances.

### Inspection and repairs

- Before use, check the appliance for damaged or defective parts. Check for breakage of parts and any other conditions that may affect its operation.
- Do not use the appliance if any part is damaged or defective.
- Have any damaged or defective parts repaired or replaced by an authorised repair agent.
- Before use, check the power supply cord for signs of damage, ageing and wear.
- Do not use the appliance if the power supply cord or mains plug is damaged or defective.
- If the power supply cord or mains plug is damaged or defective it must be repaired by an authorised repair agent in order to avoid a hazard. Do not cut the power supply cord and do not attempt to repair it yourself.
- Never attempt to remove or replace any parts other than those specified in this manual.

### Electrical safety



This product must be earthed. Always check that the power supply corresponds to the voltage on the rating plate.

If the supply cord is damaged, it must be replaced by the manufacturer or an authorised Black & Decker Service Centre in order to avoid a hazard.

### Extension cables & Class I product

A 3-core cable must be used as your appliance is earthed and of Class I construction.

Up to 30m (100 ft) can be used without loss of power.



To avoid the risk of electric shock, do not immerse the cord, plug or appliance in water or other liquid.

### Overview

This appliance includes some or all of the following features.

- 1 On / Off switch
- 2 Lid
- 3 Spout
- 4 Maximum fill mark
- 5 Power on indicator
- 6 Kettle base
- 7 Handle
- 8 Lid release button

### Before first use

- Remove all packaging from the appliance,
- Clean the appliance before first use.
- Fill the kettle with cold water to the maximum fill mark (4). Do not over fill.
- Close the lid (2). Boil the water as described below.
- Discard the boiled water and repeat the procedure.

### Use

**Warning!** Always place the appliance on a flat, clean and non-slip surface before operating it.

**Warning!** Always allow the product and contents to cool before opening the lid / re-filling.

**Warning!** Always check the water level while using the appliance. Never use the appliance without sufficient water.

**Warning!** Steam may escape from the spout.

**Warning!** This kettle must only be used with the kettle base provided.

**Note:** Ensure the lid is fitted correctly before use.

**Note:** Disconnect the kettle from the power supply before filling with water.

**Note:** Ensure the lid is correctly fitted before use

**Note:** Allow the appliance to cool before re-filling

- Place the kettle base (6) on a suitable flat stable surface.
- Take the kettle to a water outlet.
- To open the lid, press the 2 buttons together & lift. To avoid the danger of burns, never do this when the water is hot
- Fill the kettle with cold water to the desired level.
- To prevent dry-boiling fill to at least 250 ml (one cup).
- Do not fill the kettle beyond the maximum fill mark (4).

**Warning!** If the kettle is overfilled, boiling water may be ejected from the spout.

- Close the lid (2) and make sure it snaps into place.
- Place the kettle on the kettle base (6).
- Insert the plug into a suitable electrical outlet and push the switch (1) to the on position (I).
- The power on indicator (5) will light.
- The water will start boiling, making a rumbling noise. Do not open the lid when the water is boiling.
- As soon as the water has boiled, the appliance will switch off and the power on indicator (5) will go out.
- Always ensure the kettle has turned off before lifting it from the kettle base.

- To switch the appliance off during boiling, push the On / Off switch (1) the off position (O).
- If you do not want to use the boiled water immediately, the kettle may be left on the base. If you want to bring the water back to boil after a while, push the on / off switch (1) to on again.
- The outer surface of the kettle may become hot when in use

### Pouring boiled water

**Caution:** Insure that the kettle is switched off before removing it from its stand.

- Take the kettle off the base.
- To avoid scalding, tilt the kettle slowly to pour the boiled water.
- After pouring, place the kettle back on the base and remove the plug from the socket.

### Cleaning and maintenance

**Warning!** Before cleaning and maintenance, switch the appliance off, remove the plug from the socket and allow the appliance to cool.

**Warning!** Do not immerse the appliance, the base, the cord set or the plug in water or any other liquid.

- Wipe the exterior with a damp cloth.
- Do not use scouring pads.
- If necessary, use a mild detergent to remove spots.
- Do not use any abrasive or solvent based cleaner.
- Do not immerse the kettle, base, cord or plug in any liquid.

### Technical Data:

JC200	
Input voltage:	220-240V~
Power input:	1850-2200W
Weight:	1kg



### Protecting the environment

Separate collection. This product must not be disposed of with normal household waste.

Should you find one day that your Black & Decker product needs replacement, or if it is of no further use to you, do not dispose it off with other household waste. Make this product available for separate collection.



Separate collection of used products and packaging allows materials to be recycled and used again. Use of recycled materials helps prevent environmental pollution and reduces the demand for raw materials.

Local regulations may provide for separate collection of electrical products from the household, at municipal waste sites or by the retailer when you purchase a new product.

Black & Decker provides a facility for the collection and recycling of Black & Decker products once they have reached the end of their working life. To take advantage of this service please return your product to any authorised repair agent who will collect them on our behalf. You can check the location of your nearest authorised repair agent by contacting your local Black & Decker office at the address indicated in this manual. A list of authorised Black & Decker repair agents and full details of our after-sales service and contact are available on the Internet at: [www.2helpU.com](http://www.2helpU.com)

## BLACK & DECKER HOME APPLIANCE 2 YEAR WARRANTY

Black & Decker provides a 2 Year Warranty for this product from the date of purchase against defects due to defective materials. Accessories and Parts which undergo normal wear & tear are not covered under warranty. Motor/element burn-outs due to voltage fluctuations are not covered under warranty. If the product should become defective within the warranty period, Black & Decker will repair or (at Black & Decker's discretion) replace it free of charge.

The warranty provisions do not cover failure due to accident, misuse, abuse, negligence or non observation of local regulations on the part of the user. Equally, the warranty provisions do not apply where the appliance has been serviced by a person not authorized by Black & Decker or serviced with non-approved parts and this has contributed to the fault of the product. Superseded models without a replacement equivalent will either be repaired or (at Black & Decker's discretion) replaced with another product of similar retail value.

### UPON PURCHASE

Fill in the Warranty Registration Card with the original Authorized Dealer's stamp (indicating date of purchase) and attach your purchase receipt to it. Retain in case of claims in the future.

### MAKING A CLAIM

Take your defective product together with the Warranty Registration Card & purchase receipt to your local service Centre. You can either do this in person or send it freight prepaid. If mailing or shipping your appliance, ensure that it is packed carefully in a sturdy carton with enough packing material to prevent damage. Include a note describing the problem to the service Centre and be sure to give your return address.

### DESIGNED FOR DOMESTIC PURPOSES ONLY.

For more information on service, please log on to [www.2helpu.com](http://www.2helpu.com)

## Names & Addresses for Black & Decker Service Concessionaries

**AFGHANISTAN:** United (Shekeeb Gulf FZE), Shahr-e-Naw, Charahi Haji Yaqoub, Kabul, Tel.: 075 2000760, Fax: +971-4-8817634. **ALGERIA:** Sarl Outillage Corporation. 08 Rue Med Boudiaf ex TELLA Achen Cheraga, Alger, Algeria, Tel: 00213-0-21375130, Fax: 00213-0-21369667. **AZERBAIJAN:** Royalton Holdings Ltd. 28 May Street, No. 4, Suite 5, Baku - AZ1001, Tel.: 00994-124935544, Fax: 00994-125980378. **BAHRAIN:** Fawaz Al Zayani, P.O. Box 26563, Adliya, Manama. Tel.: +973-17-715252/712756, Fax: +973-17-713789. **BANGLADESH:** Ultra Corporation, 8, Kushol Centre, Uttara, Dhaka 1230. Tel.: +880-2-8919272/9756 Ext.28, Fax: +880-2-9887167. **EGYPT:** Anasia Egypt for Trading S.A.E., P.O. Box 2443, 110 Mostafa Refaat Street, Sheraton Heliopolis 11361, Cairo. Tel.: +20-2-2684159, Fax: +20-2-2684169. **ETHIOPIA:** Tewfik Sherif & Co. Ltd., P.O. Box 5583, Debre Zeit Road, Addis Ababa. Tel.: +251-1-651700/601, Fax: +251-1-650570. **INDIA:** Gryphon Impex Pvt. Ltd., D-6/4, Okhla Industrial Area, Phase-I, New Delhi-110020. Tel.: +91-11-26372602-4, Fax: +91-11-26372601. **JORDAN:** Bashiti Hardware (Palestine Bldg. Matl.) King Abdulla 2nd street, Opp ELBA House, P.O. Box 1564, Tel.: 00962.6.5349098 ext.11, Fax: 00962.6.5330731. **KENYA:** Zyllog Enterprises T/A Leading Concepts. IPS Building, Kaunda Street, PO Box 40877-00100, Nairobi. Tel.: 00254-20-6905000 Fax: 00254-20-6905111. **KUWAIT:** Al Omar Technical Co., P.O.Box 4062, 13041 Safat, Kuwait. Tel.: +965-4848595/0039, Fax: +965-4845652. **LEBANON:** Aces Service Centre (Est. F.A.Ketaneh SA) P.O. Box 90-102, Nahr El Mot, Seaside Highway, Pharaon Building, Beirut. Tel.: 00961 1 898989, Fax: 00961 1 245880. **LIBYA:** North Africa Trading ( El Ghoul Brothers) P.O. Box 348, 7 October Street 11, Benghazi, Tel.: 00218-3388706 Fax: 00218-909 41 23. **MALTA:** John G. Cassar Ltd., 36 Victory Str, Qormi QRM 06, Malta. Tel.: +356-21-493251, Fax: +356-21-483231. **MAURITIUS:** J.M. Goupille & Co. Ltd. Rogers Industrial Park 1. Riche Terre. Mauritius, Tel.: 00230-2069450, Fax: 00230-2483188. **NEPAL:** Universal Trading Centre, P.O.Box 1947, Tripureswor, Kathmandu. Tel.: +977-1-262192/260587/785, Fax: 261154. **NIGERIA:** Dana Electronics Ltd. I 116/120, Isolo, Lagos, Nigeria. Tel.: +234-1-7431818. **OMAN:** Oman Marketing & Service Co.(Omasco), P.O. Box 2734, Behind Honda Showroom, Wattayah, Oman. Tel.: 24560232/24560255, Fax: 24560993; Oman Marketing & Service Co. (Omasco) Al Ohi, Sohar, Oman. Tel.: 26846379, Fax: 26846379; Oman Marketing & Service Co. (Omasco) Sanaya, Salalah, Oman. Tel.: 23212290, Fax: 23210936. **PAKISTAN:** Ammar Service & Spares, 60, Bank Arcade, Serai Road, Karachi. Tel.: +92-21-2426905, Fax: 2427214/5243; **Lahore:** Nafees Electronics H.No 2,5/a, Ferozpur Road, Opp. Tamseel Hall, mozang. Lahore. Tel.: 0245092220, Cell: 03004607350. **PHILIPPINES:** Modern House International Enterprises, 213 Rizal Ave. Extension, between 2nd and 3rd Ave. Kalookan City. Tel.: +632 366-4487, Fax: +632-366-4489. **QATAR:** Al Muftah Service Centre P.O.Box 875, Doha, Qatar. Tel.: 4650880, Fax: 4441415. **SAUDI ARABIA: Dammam:** Fawaz Ebrahim Al Zayani Trading Est. P.O. Box 76026, Al Raka Dammam, KSA. Tel.: 8140914, Fax: 8140824; **Jeddah:** Banaja Trading Co. Ltd., P.O. Box 366, Jeddah-21411, Tel.: 6511111, Fax: 6503668; **Riyadh:** Banaja Trading Co. Ltd., P.O. Box 566, Riyadh-11421, Tel.: 4124444, Fax: 4033378. **YANBU:** Bin Afif, P.O. Box 530 Yanbu, Al Bahr. Tel.: +966-4-3222626/8867, Fax: +966-4-3222210. **SRI LANKA:** Delmege Gen. Equip. Pvt. Ltd., No. 428/1AT. B., Jaya Mawatha (Darley Road), Colombo-10. Tel.: +94-11-2665914, Fax: +94-11-2665915. **TANZANIA:** General Motors Investment, P.O. Box 16541, 14 Vingunguti Nyerere Road, Dar Es Salaam. Tel.: +255-22-2862661/5022, Fax: +255-22-2862667/5412/3. **TUNISIA:** Société Tunisienne De C Rue de la Physique, Nouvelle Zone Industrielle de Ben Arous-2013 Tunisie. Tel.: 00216-71-386102/ 380620. **UAE: Abu-Dhabi:** Light House Electrical P.O. Box 120, Abu Dhabi, Tel.: 6726131, Fax: 6720667; **Dubai:** BLACK & DECKER (OVERSEAS) A.G. P.O. Box 5420, Dubai, Tel.: 8127400/8127406, Fax: 8127069; **Sharjah:** Mc Coy Middle East LLC P.O. Box 25793, Sharjah, Tel.: 5395931, Fax: 5395932; **Ras Al Khaimah:** Mc Coy Middle East LLC P.O. Box 10584, Ras Al Khaimah, Tel.: 2277095, Fax: 2277096. **YEMEN:** Middle East Trading Co. (METCO) 5th Fir Hayel Saeed Anaam Bldg. Al Mogamma St. Taiz, Yemen, Tel.: 00967-4-213455, Fax: 00967-4-219869. **SANA'A:** Middle East Trad. Co. Ltd., P.O. Box 12363, Hayel Street, Sana'a. Tel.: +967-1-204201, Fax: +967-1-204204. **TAIZ:** Middle East Trad. Co. Ltd., Campa area near Al-Kair Mosque, Taiz. Tel.: +967-4-231610/232033, Fax: +967-4-219869.





WARRANTY REGISTRATION CARD

YOUR NAME/ الإسم .....

YOUR ADDRESS العنوان .....

POSTCODE الرمز البريدي .....

DATE OF PURCHASE تاريخ الشراء .....

DEALER'S NAME & ADDRESS/ إسم و عنوان البائع .....

PRODUCT MODEL NO. JC200



## Free Manuals Download Website

<http://myh66.com>

<http://usermanuals.us>

<http://www.somanuals.com>

<http://www.4manuals.cc>

<http://www.manual-lib.com>

<http://www.404manual.com>

<http://www.luxmanual.com>

<http://aubethermostatmanual.com>

Golf course search by state

<http://golfingnear.com>

Email search by domain

<http://emailbydomain.com>

Auto manuals search

<http://auto.somanuals.com>

TV manuals search

<http://tv.somanuals.com>