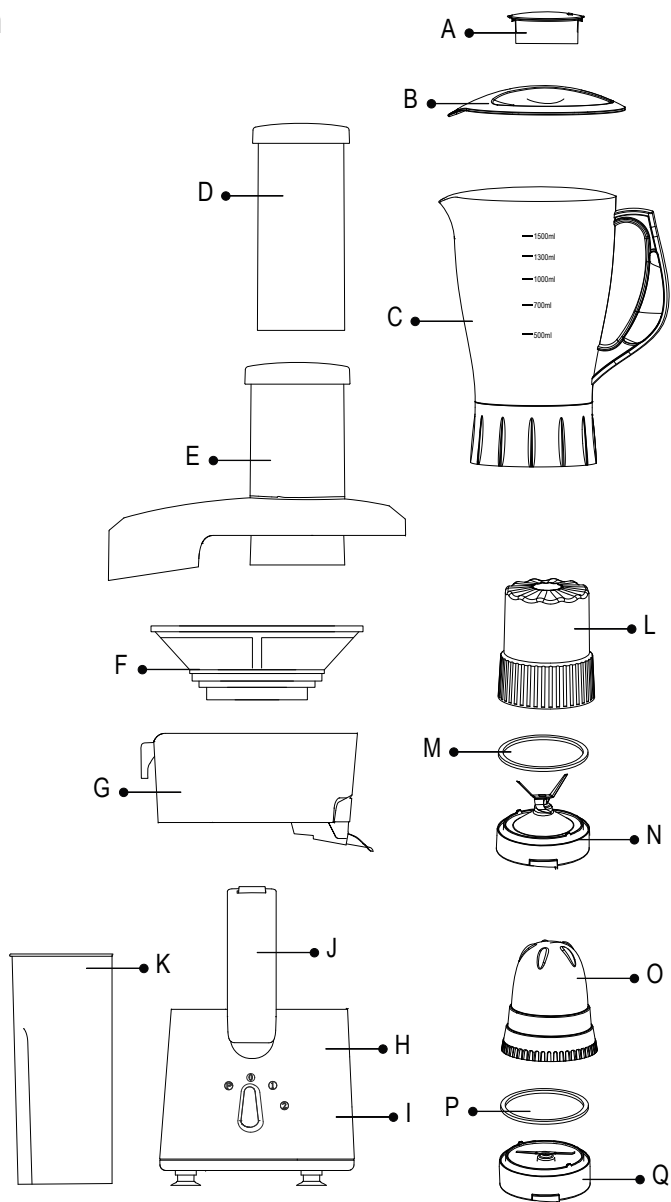


Parts Identification

- A. Filler Cap
- B. Lid
- C. Blender Jug
- D. Pusher
- E. Juicer Lid
- F. Rotary Sieve
- G. Juice Collector
- H. Motor Base
- I. Control Knob
- J. Clamp
- K. Pulp Collector
- L. Mincer Jug
- M. Mincer Seal
- N. Mincer Blade
- O. Grinder Jug
- P. Grinder Seal
- Q. Grinder Blade



Intended use

Your Black & Decker juicer has been designed for juicing fruits and vegetables. The blender has been designed for blending, mixing and crushing of solid and liquid food and beverage ingredients. This product is intended for indoor household use only.



Read this entire manual carefully before using the appliance.

Safety instructions

Warning! When using mains-powered appliances, basic safety precautions, including the following, should always be followed to reduce the risk of fire, electric shock and personal injury.

- The intended use is described in this manual. The use of any accessory or attachment or the performance of any operation with this appliance other than those recommended in this instruction manual may present a risk of personal injury.
- Retain this manual for future reference.
- If the power supply cord is damaged during use, disconnect the appliance from the power supply immediately. Do not touch the power supply cord before disconnecting from the power supply.
- Disconnect the appliance from the power supply when not in use, before fitting or removing parts and before cleaning.
- Never let the appliance operate unattended.
- Never reach into the feeding tube with your fingers or an object while the appliance is running. Only the pusher is to be used for this purpose.
- Only unlock the clamp after you have switched the appliance off and any moving parts have stopped.
- Do not touch the small cutting blades in the base of the rotary sieve.
- Do not touch the cutting blades.
- Keep any loose clothing or long hair away from the feeding tube and any moving parts.
- Care shall be taken when handling the sharp cutting blades, emptying the bowl and during cleaning.
- Do not immerse the appliance, cord set or plug in liquids.

Using your appliance

- Always take care when using the appliance.
- Never pull the power supply cord to disconnect the plug from the socket. Keep the power supply cord away from heat, oil and sharp edges.
- Do not place the appliance on or near heat sources or in a heated oven.
- Do not use the appliance outdoors.
- Always protect the motor unit from water or excessive humidity.

Safety of others

- This appliance is not intended for use by persons (including children) with reduced physical sensory or mental capabilities, or lack of experience and knowledge, unless they have been given supervision or instruction concerning use of the appliance by a person responsible for their safety.
- Children should be supervised to ensure that they do not play with the appliance.

After use

- Remove the plug from the socket before leaving the appliance unattended and before changing, cleaning or inspecting any parts of the appliance.
- When not in use, the appliance should be stored in a dry place. Children should not have access to stored appliances.

Inspection and repairs

- Before use, check the appliance for damaged or defective parts. Check for breakage of parts, damage to switches and any other conditions that may affect its operation.
- Do not use the appliance if any part is damaged or defective.
- Do not use the appliance if the rotary sieve is damaged.
- Have any damaged or defective parts repaired or replaced by an authorised repair agent.
- Before use, check the power supply cord for signs of damage, ageing and wear.
- Do not use the appliance if the power supply cord or mains plug is damaged or defective.
- If the power supply cord or mains plug is damaged or defective it must be repaired by an authorised repair agent in order to avoid a hazard. Do not cut the power supply cord and do not attempt to repair it yourself.
- Never attempt to remove or replace any parts other than those specified in this manual.

Electrical safety

Before use, check that the mains voltage corresponds to the voltage on the rating plate.



This appliance is double insulated in accordance with EN 60335-2-14; therefore no earth wire is required.

- To avoid the risk of electric shock, do not immerse the cord, plug or motor unit in water or other liquid.
- Check that the supply voltage shown on the rating plate of the appliance matches that of your electrical system. Any connection error will invalidate the guarantee.

Mains plug replacement

If a new mains plug needs to be fitted:

- Safely dispose of the old plug
- Connect the brown lead to the live terminal of the new plug
- Connect the blue lead to the neutral terminal
- If the product is class I (earthed), connect the green/yellow lead to the earth terminal

Warning! If your product is class II double insulated (only 2 wires in the cord set), no connection is to be made to the earth terminal

- Follow the fitting instructions supplied with good quality plugs
- Any replacement fuse must be of the same rating as the original fuse supplied with the product

Labels on appliance



The following warning symbols are found on the appliance:

Warning ! Allow moving parts to come to a stop before approaching.

Assembling the juicer

- Wash all detachable parts (see chapter 'Maintenance and cleaning').
- Place the juice collector (G) on to the motor base (H).
- Put the rotary sieve (F) in the juice collector (G).
- Make sure the rotary sieve (F) is fitted securely onto the driving shaft ('click').
- Always check the rotary sieve (F) before use. If you detect any cracks or damage, do not use the appliance and contact the nearest service centre or take the appliance to your dealer.
- Place the juicer lid (E) onto the juice collector (G).
- Lock the clamp (J) onto the juicer lid (E) to lock it into place ('click') and slide the pusher (D) into the feeding tube by aligning the groove in the pusher with the small protrusion on the inside of the feeding tube. Never insert your fingers or an object into the feeding tube.
- Place the pulp collector (K) in to position at the side of the juicer.
- Place a jug under the spout.

Assembling the Blender

- Wash all detachable parts (see chapter 'Maintenance and cleaning').
- Fit the blender jug (C), to the motor base (H) and secure by turning it anti-clockwise.

Note: Ensure that the blender is switched off before removing it from the stand.

Assembling the grinder

- Wash all detachable parts (see chapter 'Maintenance and cleaning').

- Fit the grinder seal (P) into the groove around the edge of the grinder blade (Q).
- Secure the blade (Q) into the grinder jug (O) by pushing it into the jug and turning it clockwise.
- Fit the grinder jug (O) to the motor base (H) and secure it by turning it anti-clockwise.

Assembling the mincer

- Wash all detachable parts (see chapter 'Maintenance and cleaning').
- Fit the mincer seal (M) into the groove around the edge of the mincer blade (N).
- Secure the blade (N) into the mincer jug (L) by pushing it into the jug and turning it clockwise.
- Fit the mincer jug (L) to the motor base (H) and secure it by turning it anti-clockwise.

Use

The following settings are available:-

P = Pulse Operation

O = Power Off

1 = Low Speed

2 = High Speed



The appliance should be disconnected from the mains supply before removing the jug.

Using the juicer

- Place the appliance on a flat, stable surface and connect it to the electrical supply.
- Select the required speed (P, 1 or 2) using the CONTROL KNOB (I).
- Remove the pusher & add the ingredients, using the pusher to guide the ingredients onto the blades.

While you are preparing juice, you can empty the pulp container by switching the appliance off and carefully removing the pulp container.

Note: Reassemble the empty pulp container before you continue juicing.

- When juicing is completed, return the control to the O (off) position.



The appliance should be disconnected from the mains supply before removing the jug.

The Juicer should not be run for longer than 1 Minute. After each 1 Minute use, the Juicer should be allowed to cool for at least 1 minute. After 3 consecutive cycles the juicer must be allowed to cool for 15 minutes before further use.

Note: For harder fruits and vegetables like pineapple, carrots, beetroot etc, use speed I and for softer ones like apples, cucumbers, celery stalks, tomatoes, melons and grapes use speed II.

Using the blender, chopper or grinder

- Place the appliance on a flat, stable surface.
- Put the ingredients into the required jug (C, L or O).
- If using the blender push the lid (B) and filler cap (A) onto the jug (C). The filler cap is secured by turning it clockwise.
- If using the grinder or mincer seal the jug by fitting the required blade (N or Q) and secure by turning clockwise.
- Place the jug (C, L or O) onto the motor base (H).
- Secure the jug (C, L or O) by turning it anti clockwise.
- Connect it to the electrical supply and select the required speed using the rotary switch.

Reccomendations when blending

Ingredients	Max Run Time (Seconds)	Speed	Max Quantity (ml)
Liquids	30 sec	2	1200ml
Semi Liquids	60 sec	1	1500ml

*Semi Liquids assumes maximum of 500 grams of fruits, vegetables or ice in 2.5x2.5 cm cubes along with 1000 ml of water or any other liquid of similar consistency.

Note: The blender should not be run for longer than 1 minute. After a continuous run of 1 minute, the blender should be allowed to cool down for at least 2 minutes before further use.

Reccomendations when grinding

Ingredients	Max Run Time (Seconds)	Speed	Max Quantity (g)
Dry Pepper/ Coffee beans	20 sec	2	50g
Dry Pulses	30 sec	1	40g
Dry Herbs	20 sec	1	40g

Note: The dry grinder should not be continuously run for longer than 50 seconds.

Note: 50g is the maximum suggested quantity for this grinder mill. (Our 70g testing in performance test is deemed abusive usage)

Warning: The grinder should NOT be used for wet grinding of hard food materials like soaked pulses, beans, grains etc. This will lead to damage of blades and reduction of motor life span.

Reccomendations when mincing

Ingredients	Max Run Time (Seconds)	Speed	Max Quantity (g)
Meat *	20 sec	1	100g
Cheese **	10 sec	2	70g

*Boneless meat in 3x3cm cubes

**Thawed hard cheeses like parmesan

Note: The mincer chopper should not be continuously run for longer than 50 seconds.

Note: 100g is the maximum suggested quantity for this mincer mill.

Useful advice

- Wash the fruit carefully before stoning.
- Use fresh fruit and vegetables, as they contain more juice. Pineapples, celery stalks, apples, cucumbers, carrots, spinach, melons, tomatoes, oranges and grapes are particularly suitable for processing in the juice extractor.
- You do not need to remove the peels or skins. You only need to peel fruit with thick skin: citrus fruit, pineapple (remove the centre stalk).
- Fruits that contain starch, such as bananas, papayas, avocados, figs, strawberries and mangoes are not suitable for processing in the juice extractor. Use a food processor, blender or stick blender to process these fruits.

- The juicer is not suitable for processing very hard and/or fibrous/starchy fruits or vegetables such as sugar cane.
- Choose fresh, ripe fruit and vegetables, they will yield more juice.
- Drink the juice immediately after you have extracted it. If it is exposed to air for some time, the juice will lose its taste and nutritional value.
- To extract the maximum amount of juice, always press the pusher down slowly.

Note: Do not exceed the maximum capacity of 1.5 litres.

- When blending is complete return the control knob to the off (0) position.

Once the blade has come to a complete stop, lift the jug (C) from the motor base (H).

- Remove the lid (B) and pour the ingredients into a suitable container.

Note: Ingredients can be added by inserting them through the hole left when the filler cap (A) is removed.

Warning! Never operate the Blender without the lid (B) fitted.

Warning! Do not use any of the accessories with out the required seal

Maintenance & cleaning

- Switch the appliance off, remove the plug from the wall socket and wait until the rotary sieve has stopped rotating before cleaning, changing accessories or approaching parts that move during use.

ENGLISH

- The appliance is easier to clean if you do so immediately after use.
- Do not use abrasive cleaning agents, scourers, acetone, alcohol etc. to clean the appliance.
- All detachable parts are dishwasher-safe.
- Place the detachable plastic parts on the top tray of the dishwasher. Make sure they are placed well away from the heating element.
- Clean these parts with a cleaning brush in warm water with some washing-up liquid and rinse them under the tap.
- Remove the dirty parts from the motor unit. Disassemble the appliance in the following order:
 - Remove the pulp container,
 - Remove the pusher,
 - Open the clamp & remove the lid,
 - Remove the juice collector together with the rotary sieve.
- Clean the motor base with a damp cloth.
- Never immerse the motor unit in water nor rinse it under the tap.

Technical data

JBGM600	
Voltage	220 – 240 Volts
Supply	50 Hz
Power consumption	500 W
Weight	3.4 Kg

Protecting the environment



Separate collection. This product must not be disposed of with normal household waste.

Should you find one day that your Black & Decker product needs replacement, or if it is of no further use to you, do not dispose of it with other household waste. Make this product available for separate collection.

- Black & Decker provides a facility for recycling Black & Decker products once they have reached the end of their working life. This service is provided free of charge. To take advantage of this service please return your product to any authorised repair agent who will collect them on our behalf.
- You can check the location of your nearest authorised repair agent by contacting your local Black & Decker office at the address indicated in this manual. Alternatively, a list of authorized Black & Decker repair agents and full details of our after-sales service and contact are available on the Internet at: www.2helpU.com.

Warranty

Black & Decker is confident of the quality of its products and offers an outstanding warranty.

This warranty statement is in addition to and in no way prejudices your statutory rights.

The warranty is valid within the territories of the Member States of the European Union and the European Free Trade Area.

If a Black & Decker product becomes defective due to faulty materials, workmanship or lack of conformity, within 24 months from the date of purchase, Black & Decker warranty to replace defective parts, repair products subjected to fair wear and tear or replace such products to ensure minimum inconvenience to the customer unless:

- The product has been used for trade, professional or hire purposes;
- The product has been subjected to misuse or neglect;
- The product has sustained damage through foreign objects, substances or accidents;
- Repairs have been attempted by persons other than authorised repair agents or Black & Decker service staff.

To claim on the warranty, you will need to submit proof of purchase to the seller or an authorised repair agent. You can check the location of your nearest authorised repair agent by contacting your local Black & Decker office at the address indicated in this manual.

Alternatively, a list of authorised Black & Decker repair agents and full details of our after-sales service and contacts are available on the Internet at: www.2helpU.com.

Identification des pièces

A. Bouchon de remplissage

B. Couverture

C. Bol mixeur

D. Poussoir

E. Couverture de la centrifugeuse

F. Filtre rotatif

G. Collecteur de jus

H. Socle moteur

I. Bouton de commande

J. Bride

K. Réservoir à pulpe

L. Récipient du hachoir

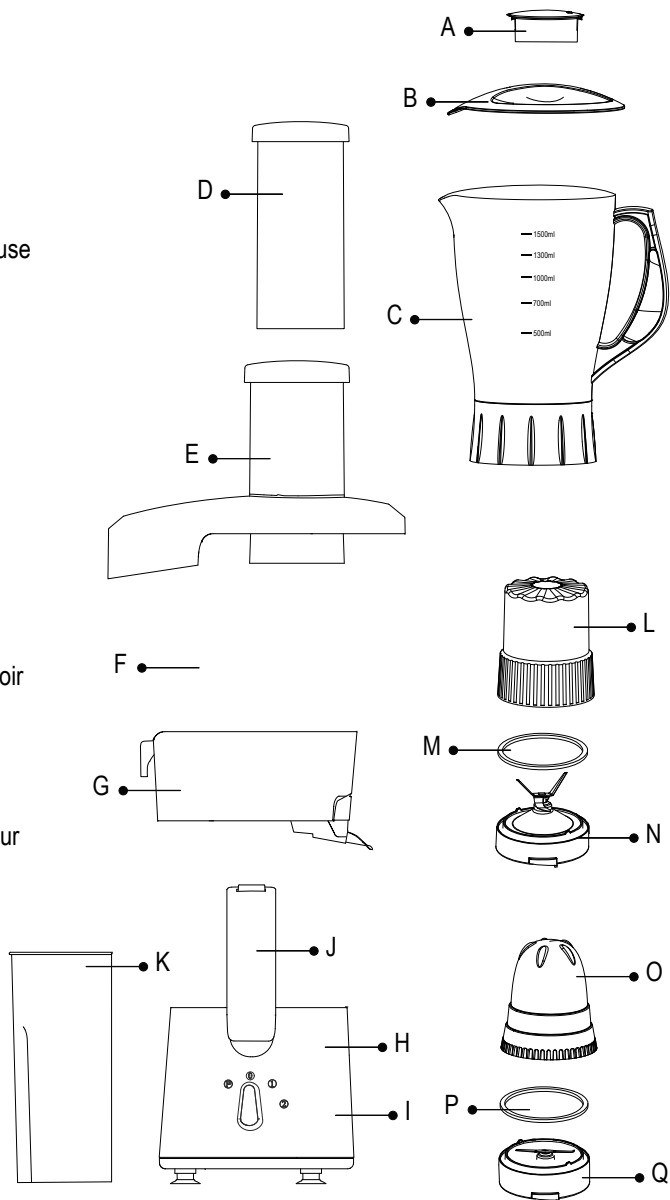
M. Joint d'étanchéité du hachoir

N. Lame du hachoir

O. Récipient du broyeur

P. Joint d'étanchéité du broyeur

Q. Lame du broyeur



Utilisation prévue

Votre centrifugeuse Black & Decker a été conçue pour extraire le jus des fruits et des légumes. Le blender a été conçu pour mélanger, mixer et broyer des aliments solides et liquides et des préparations de boissons. Cet appareil est conçu pour un usage domestique à l'intérieur.



Lisez ce manuel attentivement avant d'utiliser l'appareil.

Consignes de sécurité

Avertissement! Lorsqu'on utilise un appareil électrique, des précautions de base, y compris les suivantes, doivent toujours être suivies afin de réduire les risques d'incendie, de chocs électriques ou de blessures corporelles.

- L'utilisation prévue est décrite dans ce manuel. L'utilisation d'un accessoire ou d'une pièce, ou l'exécution de toute opération avec cet appareil autres que celles recommandées dans ce manuel peut présenter un risque de blessures corporelles.
- Conservez ce mode d'emploi pour le consulter ultérieurement.

Utilisation de votre appareil

- Toujours prendre des précautions lors de l'utilisation de l'appareil.
- Ne jamais tirer sur le cordon d'alimentation pour débrancher la fiche de la prise. Le cordon d'alimentation ne doit jamais être à proximité d'une source de chaleur, de graisse ou d'angles vifs.
- Ne pas placer l'appareil sur ou à proximité de sources de chaleur ou dans un four chaud.
- Ne pas utiliser l'appareil à l'extérieur.
- Toujours protéger le bloc moteur à l'abri des projections d'eau ou d'une humidité excessive.

- Si le cordon d'alimentation est endommagé lors de l'utilisation, débranchez l'appareil immédiatement. Ne touchez pas le cordon d'alimentation avant d'avoir débranché l'alimentation électrique.
- Débrancher l'appareil de l'alimentation électrique lorsqu'il n'est pas utilisé, ou avant de monter ou de démonter des pièces, ou avant son nettoyage.
- Ne jamais laisser l'appareil fonctionner sans surveillance.
- Ne jamais mettre les doigts ou tout autre objet dans la cheminée de remplissage lorsque l'appareil est en fonctionnement. Utiliser exclusivement le poussoir à cet effet.
- Déverrouiller la bride uniquement après avoir éteint l'appareil et attendu l'arrêt complet des pièces en mouvement.
- Ne pas toucher les petites lames de coupe à la base du filtre rotatif.
- Ne pas toucher les lames de coupe.
- Garder les vêtements amples et les cheveux longs loin du tube d'alimentation et des pièces en mouvement.
- Des précautions doivent être prises lors de la manipulation du côté aiguisé des lames de coupe, lorsque le récipient est vidé ou nettoyé.
- Ne pas immerger l'appareil, le cordon d'alimentation ou la prise dans un liquide.

Sécurité d'autrui

- Cet appareil n'est pas destiné à être utilisé par des personnes (y compris des enfants) ayant des capacités physiques, sensorielles ou mentales réduites, ou ayant un manque d'expérience et de connaissances, à moins qu'elles n'aient été formées et encadrées sur l'utilisation de l'appareil par une personne responsable de leur sécurité.
- Les enfants doivent être surveillés pour s'assurer qu'ils ne jouent pas avec l'appareil.

Après utilisation

- Retirez la fiche de la prise avant de laisser l'appareil sans surveillance et avant de changer, nettoyer ou inspecter un élément de d'appareil.
- Lorsqu'il n'est pas utilisé, l'appareil doit être rangé dans un endroit sec. Les enfants ne doivent pas avoir accès aux appareils rangés.

Inspection et réparations

- Avant l'utilisation, vérifiez que l'appareil n'a aucune pièce endommagée ou défectueuse. Vérifiez la présence de pièces cassées, d'interrupteurs endommagés ou toute autre condition qui pourraient affecter son fonctionnement.
- Ne pas utiliser l'appareil si une pièce est endommagée ou défectueuse.
- Ne pas utiliser l'appareil si le filtre rotatif est endommagé.
- Faites réparer ou remplacer les pièces endommagées ou défectueuses par un réparateur agréé.
- Avant l'utilisation, vérifiez l'état du cordon d'alimentation pour des signes de dommages, de vieillissement ou d'usure.
- Ne pas utiliser l'appareil si le cordon d'alimentation ou la fiche secteur est endommagée ou défectueuse.
- Si le cordon d'alimentation ou la fiche secteur est endommagée ou défectueuse, il doit être réparé par un réparateur agréé afin d'éviter tout danger. Ne pas couper le cordon d'alimentation et ne pas tenter de le réparer vous-même.
- Ne jamais essayer de retirer ou de remplacer une pièce autre que celles spécifiées dans ce manuel.

Sécurité électrique

Avant son utilisation, vérifiez que la tension électrique correspond à celle indiquée sur l'étiquette signalétique.



Cet appareil possède une double isolation selon la norme EN 60335-2-14; de ce fait un fil de terre n'est pas nécessaire.

- Pour éviter tout risque de décharge électrique, n'immergez pas le cordon d'alimentation, la prise ou le bloc moteur dans de l'eau ou dans tout autre liquide.
- Vérifiez que la tension d'alimentation indiquée sur l'étiquette signalétique de l'appareil correspond bien à celle de votre installation électrique. Toute erreur de branchement annule la garantie.

Remplacement de la fiche électrique

En cas d'installation d'une nouvelle fiche:

- Jetez l'ancienne fiche avec prudence
- Connectez le fil marron sur la borne sous tension de la nouvelle fiche
- Connectez le fil bleu sur la borne neutre
- Si l'appareil est de classe I (mis à la terre), connectez le fil vert/jaune sur la borne terre

Avertissement! Si votre appareil est de classe II double isolation (seulement 2 fils dans le cordon), aucune connexion n'est à faire sur la borne terre.

- Suivez les instructions de montage fournies avec les fiches de bonne qualité.
- Tout fusible remplacé doit être du même calibre que le fusible d'origine fourni avec l'appareil.

Étiquettes apposées sur l'appareil



Le symbole d'avertissement suivant se trouve sur l'appareil:

Avertissement! Attendre l'arrêt complet des pièces en mouvement avant d'approcher.

Assemblage de la centrifugeuse

- Nettoyer toutes les pièces démontables (voir le chapitre 'Entretien et nettoyage').
- Placer le collecteur de jus (G) sur le socle moteur (H).
- Placer le filtre rotatif (F) dans le collecteur de jus (G).
- S'assurer que le filtre rotatif (F) est correctement fixé sur l'axe d'entraînement ('click').
- Toujours vérifier l'état du filtre rotatif (F) avant l'utilisation. Si vous détectez des fissures ou tout autre défaut, n'utilisez pas l'appareil et contactez le centre de service le plus proche ou déposez l'appareil chez votre revendeur.
- Placer le couvercle de la centrifugeuse (E) sur le collecteur de jus (G).
- Encliqueter la bride (J) sur le couvercle de la centrifugeuse (E) pour le verrouiller en place ('click') et glisser le poussoir (D) dans la cheminée de remplissage en alignant la rainure du poussoir avec la petite saillie à l'intérieur de la cheminée de remplissage. Ne jamais introduire vos doigts ou tout autre objet dans la cheminée de remplissage.
- Placer le réservoir à pulpe (K) en position sur le côté de la centrifugeuse.
- Placer un pichet sous le bec verseur.

Assemblage du blender

- Nettoyer toutes les pièces démontables (voir le chapitre 'Entretien et nettoyage').

- Montez le bol mixeur (C) sur le socle moteur (H) et verrouillez-le en le tournant dans le sens inverse des aiguilles d'une montre.

Remarque: Eteindre le blender avant d'enlever le récipient de son support.

Assemblage du broyeur

- Nettoyer toutes les pièces démontables (voir le chapitre 'Entretien et nettoyage').
- Insérer le joint d'étanchéité du broyeur (P) dans la rainure située autour du bord de la lame du broyeur (Q).
- Verrouiller la lame (Q) dans le récipient du broyeur (O) en l'enclenchant dans le récipient et en tournant dans le sens horaire.
- Montez le récipient du broyeur (O) sur le socle moteur (H) et verrouillez-le en le tournant dans le sens inverse des aiguilles d'une montre.

Assemblage du hachoir

- Nettoyer toutes les pièces démontables (voir le chapitre 'Entretien et nettoyage').
- Insérer le joint d'étanchéité du hachoir (M) dans la rainure située autour du bord de la lame du hachoir (N).
- Verrouiller la lame (N) dans le récipient du hachoir (L) en l'enclenchant dans le récipient et en tournant dans le sens horaire.
- Montez le récipient du hachoir (L) sur le socle moteur (H) et verrouillez-le en le tournant dans le sens inverse des aiguilles d'une montre.

Utilisation

Les réglages disponibles sont les suivants:-

P = Fonction Pulse

O = Arrêt

1 = Vitesse lente

2 = Vitesse rapide



L'appareil doit être débranché du réseau électrique avant de retirer le récipient.

Utilisation de la centrifugeuse

- Posez l'appareil sur un plan de travail plat et stable, et branchez-le sur une prise secteur.
- Sélectionnez la vitesse souhaitée (P, 1 ou 2) à l'aide du BOUTON DE COMMANDE (I).
- Enlevez le poussoir et introduisez les ingrédients puis poussez-les à l'aide du poussoir pour les guider vers les lames.

Pendant que vous préparez le jus, vous pouvez vider le réservoir à pulpe en éteignant l'appareil et en retirant le réservoir à pulpe avec soin.

Remarque: Remonter le réservoir à pulpe vide sur l'appareil avant de recommencer à extraire le jus.

- Une fois que le jus a cessé de couler, repositionnez le bouton de commande sur la position O (arrêt).



L'appareil doit être débranché du réseau électrique avant d'enlever le récipient.

La centrifugeuse ne doit pas fonctionner plus d'1 minute en continu. Après chaque utilisation d'1 minute, laissez la centrifugeuse refroidir pendant au moins 1 minute. Après 3 cycles consécutifs, laissez la centrifugeuse refroidir pendant 15 minutes avant de l'utiliser à nouveau.

Remarque: Pour les fruits et les légumes durs comme les ananas, carottes, betteraves etc., utiliser la vitesse I et pour les fruits et légumes plus tendres comme les pommes, les concombres, le céleri en branche, les tomates, les melons et les raisins, utiliser la vitesse II.

Utilisation du blender, du hachoir ou du broyeur

- Placer l'appareil sur un plan de travail plat et stable.

- Mettre les ingrédients dans le récipient souhaité (C, L ou O).
- Si vous utilisez le blender, enclenchez le couvercle (B) et le bouchon de remplissage (A) sur le bol mixeur (C). Verrouillez le bouchon de remplissage en le tournant dans le sens horaire.
- Si vous utilisez le broyeur ou le hachoir, scellez le récipient en insérant la lame souhaitée (N ou Q) et verrouillez l'ensemble en le tournant dans le sens horaire.
- Placez le récipient (C, L ou O) sur le socle moteur (H).
- Verrouillez le récipient (C, L ou O) en le tournant dans le sens inverse des aiguilles d'une montre.
- Branchez l'appareil sur une prise électrique et sélectionnez la vitesse souhaitée en tournant le bouton de réglage.

Recommandations pour le mixage

Ingrédients	Temps d'exécution max. (secondes)	Vitesse	Quantité max. (ml)
Liquides	30 s	2	1200ml
Semi-liquides	60 s	1	1500ml

* Par semi-liquides on suppose une quantité maximale de 500 g de fruits, de légumes ou de glaçons de 2,5x2,5 cm avec 1000 ml d'eau ou tout autre liquide de consistance semblable.

Remarque: Le blender ne doit pas fonctionner pendant plus d'1 minute. Après une utilisation continue d'1 minute, laissez le blender refroidir pendant au moins 2 minutes avant de le réutiliser.

Recommandations pour le broyage

Ingrédients	Temps d'exécution max. (secondes)	Vitesse	Quantité max. (g)
Poivre sec/ Grains de café	20 sec	2	60g
Légumes secs	30 sec	1	40g
Herbes aromatiques sèches	20 sec	1	50g

Remarque: Le broyeur ne doit pas fonctionner en continu pendant plus de 50 secondes.

Remarque: 50 g est la capacité maximale suggérée pour ce broyeur. (Notre test de performance avec 70g est considéré comme usage abusif)

Avertissement: Le broyeur ne doit PAS être utilisé pour un broyage humide d'aliments durs tels que les légumes secs, haricots, céréales, etc., cela endommagerait les lames et réduirait le temps de vie du moteur.

Recommandations pour le hachage

Ingrédients	Durée max de fonctionnem	Vitesse	Quantité max (g)
Viande *	20 s	1	100g
Fromage**	10 s	2	70g

* Viande sans os coupée en cubes de 3x3cm

** Fromages très secs décongelés du type parmesan

Remarque: Le hachoir ne doit pas fonctionner en continu pendant plus de 50 secondes.

Remarque: 100g est la capacité maximale suggérée pour ce hachoir.

Conseils utiles

- Laver les fruits avec soin avant d'en retirer le noyau.
 - Utiliser des fruits et des légumes frais, car ils sont plus juteux. La centrifugeuse est particulièrement adaptée pour extraire le jus d'ananas, de céleri en branche, de pommes, de concombres, de carottes, d'épinard, de melons, de tomates, d'oranges et de raisin.
 - Il n'est pas nécessaire d'enlever la peau. Seuls les fruits à peau épaisse comme les agrumes et les ananas (enlever la tige au centre) devront être épluchés.
 - Les fruits qui contiennent de l'amidon comme les bananes, les papayes, les avocats, les figues, les fraises et les mangues ne conviennent pas à une utilisation avec la centrifugeuse. Pour ces fruits, utiliser un robot culinaire, un blender ou un mixeur.
 - La centrifugeuse n'est pas approprié pour le traitement très difficile et / ou fibreux / fruits ou de légumes comme la canne à sucre féculents.
 - Choisissez frais, fruits et légumes mûrs, ils donneront plus de jus.
 - Buvez du jus immédiatement après que vous avez extrait il. Si elle est exposée à l'air pendant un certain temps, le jus va perdre son goût et sa valeur nutritive.
 - Pour extraire le maximum de jus, toujours appuyer sur le poussoir lentement.
- Remarque:** Ne pas dépasser la capacité maximale de 1,5 litre.
- Lorsque le mélange est terminé, tourner le bouton de réglage pour le remettre sur la position arrêt (0).

- Dès l'arrêt complet de la lame, enlever le Bol mixeur (C) du corps Socle moteur (H).
- Enlever le couvercle (B) et verser les ingrédients dans un récipient approprié.

Remarque: Les ingrédients peuvent être ajoutés en les insérant dans le trou du bouchon de remplissage (A) lorsque celui-ci est enlevé.

Attention! Ne jamais faire fonctionner le mixeur sans avoir mis le couvercle (B).

Attention! Ne jamais utiliser un accessoire sans son joint d'étanchéité.

Entretien et nettoyage

- Eteignez l'appareil, retirez la fiche de la prise murale et attendez l'arrêt complet du filtre rotatif avant de nettoyer, changer les accessoires ou approcher les pièces en mouvement pendant le fonctionnement.
- L'appareil est plus facile à nettoyer immédiatement après son utilisation.
- N'utilisez pas de produits de nettoyage abrasifs, de tampons à récurer, d'acétone ou d'alcool etc. pour nettoyer l'appareil.
- Toutes les pièces démontables sont lavables en lave-vaisselle.
- Mettre les pièces démontables en plastique dans le panier supérieur du lave-vaisselle. S'assurer qu'elles soient placées à bonne distance de l'élément chauffant.
- Ces éléments peuvent être nettoyés avec une brosse de nettoyage à l'eau chaude et un peu de liquide vaisselle, puis rincées sous le robinet.

- Enlevez les pièces salies du bloc moteur. Démontez l'appareil dans l'ordre suivant:
 - Enlever le réservoir à pulpe,
 - Enlever le poussoir,
 - Ouvrir la bride et enlever le couvercle,
 - Enlever le collecteur de jus avec le filtre rotatif.
- Nettoyer le socle moteur avec un chiffon humide.
- Ne jamais plonger le bloc moteur dans l'eau, ni le rincer sous le robinet.

Données techniques

JBG600	
Tension	220 – 240 Volts
Courant d'alimentation	50 Hz
Puissance nominale	500 W
Poids	3.4 Kg

Protection de l'environnement



Collecte séparée. Ce produit ne doit pas être jeté avec les déchets domestiques normaux.

Si vous décidez de remplacer ce produit Black & Decker, ou si vous n'en avez plus l'utilité, ne le jetez pas avec vos déchets domestiques. Rendez-le disponible pour une collecte séparée.

- Black & Decker fournit un dispositif permettant de collecter et de recycler les produits Black & Decker lorsqu'ils ont atteint la fin de leur cycle de vie. Pour pouvoir profiter de ce service, veuillez retourner votre produit à un réparateur agréé qui se chargera de le collecter pour nous.
- Pour connaître l'adresse du réparateur agréé le plus proche de chez vous, contactez le bureau Black & Decker à l'adresse indiquée dans ce manuel. Vous pourrez aussi trouver une liste des réparateurs agréés de Black & Decker et de plus amples détails sur notre service après-vente sur le site Internet à l'adresse suivante : www.2helpU.com

Garantie

Black & Decker est confiant dans la qualité de ses produits et vous offre une garantie très étendue.

Ce certificat de garantie est un document supplémentaire et ne peut en aucun cas se substituer à vos droits légaux.

La garantie est valable sur tout le territoire des Etats Membres de l'Union Européenne et de la Zone de Libre Echange Européenne.

Si un produit Black & Decker s'avère défectueux en raison de matériaux en mauvaises conditions, d'une erreur humaine, ou d'un manque de conformité dans les 24 mois suivant la date d'achat, Black & Decker garantit le remplacement des pièces défectueuses, la réparation des produits usés ou cassés ou remplace ces produits à la convenance du client, sauf dans les circonstances suivantes :

- Le produit a été utilisé dans un but commercial, professionnel, ou a été loué.
- Le produit a été mal utilisé ou avec négligence.
- Le produit a subi des dommages à cause d'objets étrangers, de substances ou à cause d'accidents.
- Des réparations ont été tentées par des techniciens ne faisant pas partie du service technique de Black & Decker.

Pour avoir recours à la garantie, il est nécessaire de fournir une preuve d'achat au vendeur ou à un réparateur agréé. Pour connaître l'adresse du réparateur agréé le plus proche de chez vous, contactez le bureau Black & Decker à l'adresse indiquée dans ce manuel.

Vous pourrez aussi trouver une liste des réparateurs agréés de Black & Decker et de plus amples détails sur notre service après-vente sur le site Internet à l'adresse suivante : www.2helpU.com

حماية البيئة

الضمان

تثق بلاك أند ديكر في جودة منتجاتها وتعرض ضماناً طويلاً الأجل.

بيان الضمان هذا يكون بالإضافة إلى حقوقك التي يمنحها القانون ولا يخل بها بأي حال من الأحوال.

يسري الضمان في أقاليم الدول الأعضاء في الاتحاد الأوروبي ومنطقة التجارة الحرة الأوروبية.

في حالة وجود خلل في منتج بلاك أند ديكر بسبب عيب في المواد أو الصناعة أو عدم التوافق مع المعايير، خلال 24 شهراً من تاريخ الشراء، تضمن بلاك أند ديكر استبدال الأجزاء المعيبة وإصلاح المنتجات مع مراعاة التآكل والبلل الطبيعي أو استبدال هذه المنتجات لضمان أقل إزعاج للعميل ما لم:

- ◀ يتم استخدام المنتج في أغراض تجارية أو مهنية أو أغراض تأجير؛
- ◀ يتعرض المنتج لسوء الاستخدام أو الإهمال؛
- ◀ يتعرض المنتج للتلف نتيجة أشياء أو مواد غريبة أو حوادث؛
- ◀ يتم محاولة إصلاح المنتج بواسطة أشخاص غير وكلاء الصيانة المعتمدين أو فريق الصيانة التابع لشركة بلاك أند ديكر.

لتقديم مطالبة بموجب الضمان، سوف تحتاج إلى تقديم دليل الشراء للبائع أو وكيل الصيانة المعتمد. ويمكنك التعرف على موقع أقرب وكيل صيانة معتمد من خلال الاتصال على مكتب بلاك أند ديكر المحلي في العنوان الموضح في هذا الدليل.

وبدلاً من ذلك، توجد قائمة بوكلاء الصيانة المعتمدين التابعين لشركة بلاك أند ديكر والتفاصيل الكاملة لخدمات ما بعد البيع ووسائل الاتصال الخاصة بنا على الإنترنت على الموقع الإلكتروني: www.2helpU.com.

الجمع المنفصل. يلزم عدم التخلص من هذا المنتج مع القمامة المنزلية العادية.



إذا لزم في يوم من الأيام استبدال منتج بلاك أند ديكر الخاص بك، أو إذا لم تعد تستخدمه، فلا تتخلص منه مع القمامة المنزلية الأخرى، بل تأكد من إتاحة هذا المنتج للجمع المنفصل.

- توفر شركة بلاك أند ديكر مرفق لإعادة تدوير منتجات بلاك أند ديكر بمجرد وصولها إلى نهاية عمرها وعدم صلاحيتها للعمل. ويتم تقديم هذه الخدمة مجاناً. للاستفادة من هذه الخدمة، يرجى إعادة المنتج إلى أي وكيل صيانة معتمد والذي سوف يتولى بدوره جمع المنتجات نيابة عنا.

- يمكنك التعرف على موقع أقرب وكيل صيانة معتمد من خلال الاتصال على مكتب بلاك أند ديكر المحلي في العنوان الموضح في هذا الدليل. وبدلاً من ذلك، توجد قائمة بوكلاء الصيانة المعتمدين التابعين لشركة بلاك أند ديكر والتفاصيل الكاملة لخدمات ما بعد البيع ووسائل الاتصال الخاصة بنا على الإنترنت على الموقع الإلكتروني: www.2helpU.com.

- نظف هذه الأجزاء بفرشاة تنظيف باستخدام ماء دافئ مضافاً إليه سائل تنظيف، واشطفها تحت الصنبور.
- قم بإزالة الأجزاء المتسخة من وحدة المحرك.
قم بفك الجهاز حسب الترتيب التالي:
- قم بإزالة وعاء اللب.
- قم بإزالة الدافع.
- افتح الماسك، و قم بإزالة الغطاء.
- قم بإزالة وعاء تجميع العصير مع المنخل الدوار.
- نظف قاعدة المحرك باستخدام قطعة مبللة من القماش.
- يحظر غمس وحدة المحرك في المياه أو شطفها تحت الصنبور.

البيانات الفنية

JBGM٦٠٠	
٢٢٠-٢٤٠ فولت	الجهد الكهربائي
٥٠ هرتز	تردد مصدر الطاقة
٥٠٠ وات	استهلاك الطاقة
٣,٤ كجم	الوزن

نصائح مفيدة

- أزل الغطاء (ب) وصب المكونات في الوعاء المناسب.
- يمكن صب السوائل عبر صنوبر الصب (ج) عن طريق رفع غطاء الصنوبر.
- ملاحظة: يمكن إضافة المكونات عن طريق إدخالها عبر الفتحة اليسرى عند إزالة غطاء فتحة التعبئة (أ).
- تحذير! يحظر تشغيل الخلاط دون تثبيت الغطاء (ب) عليه.
- تحذير! لا تستخدم أية ملحقات دون الحشوة المطلوبة.

الصيانة والتنظيف

- قم بإيقاف تشغيل الجهاز، وافصل القابس عن المقبس الكهربائي بالحائط وانتظر حتى تتوقف المصفاة الدوارة عن الدوران تماماً، وذلك قبل تنظيف الجهاز أو تغيير الملحقات أو الاقتراب من الأجزاء التي تتحرك أثناء التشغيل.
- أطفئ الجهاز وانزع القابس من منفذ التغذية الكهربائية وانتظر حتى تتوقف الشفرات عن الدوران.
- سيكون من الأسهل تنظيف الجهاز في حالة قيامك بذلك بعد الاستخدام مباشرة.
- لا تستخدم مواد تنظيف كاشطة أو بودرة تعقيم أو أسيتون أو كحول أو غيرها من المواد لدى تنظيف الجهاز.
- يمكن غسل جميع الأجزاء القابلة للفصل في غسالة الأواني بشكل آمن.
- ضع الأجزاء البلاستيكية القابلة للفصل على اللوح العلوي لغسالة الأواني. وتأكد من وضعها بعيداً عن المكونات الساخنة.
- يمكن تنظيف جميع الأجزاء المتحركة في ماء دافئ باستخدام فرشاة تنظيف وشطفها تحت صنوبر الماء.

- اغسل الفاكهة جيداً قبل نزع النوى منها.
- استخدم الفواكه والخضروات الطازجة، حيث إنها تحتوي على كمية أكبر من العصير. ويمكن استخدام العصارة في تحضير الأناناس وأعواد الكرفس والتفاح والخيار والجوز والسبانخ والشمام والطماطم والبرتقال والعنب.
- لست في حاجة إلى إزالة قشرة الثمرة أو سطحها الخارجي، فكل ما تحتاجه هو تقشير الفاكهة ذات القشرة السمكية: مثل الفاكهة الحمضية والأناناس (قم بإزالة قلب الثمرة).
- الفواكه التي تحتوي على مادة النشا مثل الموز والباباي والأفوكادو والتين والفراولة والمانجو لا يمكن تحضيرها في العصارّة، لذا ينبغي استخدام جهاز تحضير الأطعمة أو الخلاط أو خلاط اليد في تحضير هذه الفواكه.
- عصارة ليست مناسبة لمعالجة الصعب جدا و / أو ليفية / الفواكه أو الخضار مثل قصب السكر النشوية.
- اختيار الطازجة، والفواكه والخضروات الناضجة، أنها سوف تسفر عن مزيد من العصير.
- شرب العصير فوراً بعد أن كنت قد استخراجه. إذا تعرضت للهواء لبعض الوقت، فإن عصير يفقد مذاقه وقيمته الغذائية.
- لاستخراج أكبر قدر ممكن من عصير، دائماً اضغط على تاجر مخدرات أسفل ببطء.
- ملاحظة: لا تتجاوز السعة القصوى البالغة ١,٥ لتر.
- عند إتمام عملية الخلط، أعد مفتاح التحكم إلى وضع الإيقاف (٠).
- عند توقف الشفرة تماماً، أزل الإبريق (ج) من وحدة قاعدة المحرك (ح).

توصيات ينصح بها عند الطحن

المكونات	أقصى وقت	السرعة	أقصى كمية
الفلفل الجاف/ حبوب القهوة	٢٠ ثانية	٢	٥٠ جم
الحبوب الجافة	٣٠ ثانية	١	٤٠ جم
الأعشاب الجافة	٢٠ ثانية	١	٤٠ جم

ملاحظة: يحظر تشغيل المطحنة بشكل متواصل خلال الطحن الجاف لمدة تزيد عن ٥٠ ثانية.

ملاحظة: أقصى سعة للمطحنة هي ٥٠ جم. (التجربة التي أجريناها باستخدام ٧٠ جم لقياس جودة الأداء أظهرت نتائج ضارة)

تحذير: يحظر استخدام المطحنة مع الطحن الرطب للمواد الغذائية الصلبة مثل البقول والفول والحبوب وغيرها. فهذا الأمر من شأنه التسبب في تلف الشفرات وتقليل عمر المحرك.

توصيات ينصح بها عند الفرغ

المكونات	أقصى وقت للتشغيل (بالثانية)	السرعة	أقصى كمية (بالجرام)
اللحم ×	٢٠ ثانية	١	١٠٠ جم
الجبن ××	١٠ ثانية	٢	٧٠ جم

× ينبغي أن يكون اللحم خالٍ من العظم ومقطع على شكل مكعبات لا يزيد حجم المكعب الواحد منها عن ٣×٣ سم.

×× ينبغي إذابة الجبن الجاف مثل جبن بارميزان.

ملاحظة: يحظر تشغيل المفرمة بشكل متواصل لمدة تزيد عن ٥٠ ثانية.

ملاحظة: أقصى سعة ممكنة للمفرمة هي ١٠٠ جم.

• ضع المكونات في الإبريق المراد ("ج" أو "ل" أو "س").

• إذا كنت تستخدم الخلاط، ضع الغطاء (ب) وغطاء فتحة التعبئة (أ) فوق الإبريق (ج). وإحكام تثبيت غطاء فتحة التعبئة، يرجى لفة في اتجاه عقارب الساعة.

• إذا كنت تستخدم المطحنة أو المفرمة، ثبت الإبريق بإحكام عن طريق تركيب الشفرة المطلوبة ("ن" أو "ف") بإحكام بواسطة لفة في اتجاه عقارب الساعة.

• ضع الإبريق ("ج" أو "ل" أو "س") على وحدة المحرك (ح).

• ثبت الإبريق ("ج" أو "ل" أو "س") بإحكام بلفه عكس اتجاه عقارب الساعة.

• وصل الجهاز بمصدر التيار الكهربائي، وحدد السرعة المطلوبة باستخدام المفتاح الدوار.

توصيات ينصح بها عند الخلط

المكونات	أقصى وقت للتشغيل (بالثانية)	السرعة	أقصى كمية (بالملي لتر)
السوائل	٣٠ ثانية	٢	١٢٠٠ مللي لتر
أشباه السوائل	٦٠ ثانية	١٣	١٥٠٠ مللي لتر

× أشباه السوائل تتمثل في ٥٠٠ جرام بحد أقصى من الفواكه أو الخضروات أو الثلج مقسمة إلى مكعبات ٢,٥ × ٢,٥ سم مضافاً إليها ١٠٠٠ مللي لتر من المياه أو أي سائل آخر له نفس الكثافة.

ملاحظة: يحظر تشغيل الخلاط بشكل متواصل لمدة تزيد عن دقيقة واحدة. بعد كل تشغيل متواصل لمدة دقيقة واحدة، يجب ترك الخلاط دون استخدام لمدة دقيقتين على الأقل حتى يبرد قبل إعادة استخدامه مرة أخرى.

الاستخدام

فيما يلي الإعدادات المتاحة:

P = تشغيل نبضي

O = إيقاف التشغيل

١ = سرعة منخفضة

٢ = سرعة عالية

يجب فصل الجهاز من مصدر التيار الرئيس قبل إزالة الإبريق.



استخدام العَصَاة

- ضع الجهاز على سطحٍ مستوي وثابت، ووصله بمصدر التيار الكهربائي.
- حدد السرعة المطلوبة (**P** أو ١ أو ٢) باستخدام مفتاح التحكم (ط).
- قم بإزالة الدافع، وأضف المكونات مستخدماً الدافع في توجيه المكونات نحو الشفرات.

أثناء إعداد العصير، يمكنك تفريغ وعاء اللب بإيقاف تشغيل الجهاز وإزالة وعاء اللب بحدز.

ملاحظة: أعد تركيب وعاء اللب قبل متابعة العصر.

- عند إتمام العصر، أعد مفتاح التحكم إلى الوضع "**O**" (إيقاف التشغيل).

يجب فصل الجهاز من مصدر التيار الرئيس

قبل إزالة الإبريق.



يحظر تشغيل العَصَاة بشكل متواصل لمدة تزيد عن دقيقة واحدة. بعد كل تشغيل متواصل لمدة دقيقة واحدة، يجب ترك العَصَاة دون استخدام لمدة دقيقة واحدة على الأقل حتى تبرد قبل إعادة استخدامها مرة ثانية. بعد الاستخدام لثلاث دورات متعاقبة، يجب ترك العَصَاة دون استخدام لمدة ١٥ دقيقة حتى تبرد قبل إعادة استخدامها مرة أخرى.

ملاحظة: استخدم السرعة ١ مع الفواكه والخضروات الصلبة مثل الأناناس والجزر والشمندر الأحمر وغيره. استخدم السرعة ٢ مع الفواكه والخضروات الأكثر ليونة مثل التفاح والخيار وأعواد الكرفس والطماطم والشمام والعنب.

استخدام الخلاط أو المفرمة أو المطحنة

- ضع الجهاز على سطحٍ مستوي وثابت.

- أحكم غلق الماسك (ي) على غطاء العَصَاة (ه) حتى يثبت في مكانه الصحيح ("نقرة") وقم بإدخال الدافع (د) في أنبوب التغذية عن طريق محاذاة التجويف الموجود على الدافع مع النتوء الصغير الموجود على باطن أنبوب التغذية. لا تدخل أصابعك أو أي أداة في أنبوب التغذية.

- ضع وعاء تجميع اللب (ك) في موضع بجانب العَصَاة.

- ضع إبريق تحت الصنبور

تركيب الخلاط

- اغسل جميع الأجزاء القابلة للفصل (راجع فصل "الصيانة والتنظيف").

- ثبت إبريق الخلاط (ج) على قاعدة المحرك (ح)، وأحكم تثبيته بلفه عكس اتجاه عقارب الساعة.

ملاحظة: تأكد من إيقاف تشغيل الجهاز قبل إزالته من على المنضدة.

تركيب المطحنة

- اغسل جميع الأجزاء القابلة للفصل (راجع فصل "الصيانة والتنظيف").

- ثبت حشوة المطحنة (ع) في التجويف الموجود حول حافة شفرة المطحنة (ف).

- أحكم تثبيت الشفرة (ف) في إبريق المطحنة (س) بدفعها داخل الإبريق ولها في اتجاه عقارب الساعة.

- ثبت إبريق المطحنة (س) على قاعدة المحرك (ح)، وأحكم تثبيته بلفه عكس اتجاه عقارب الساعة.

تركيب المفرمة

- اغسل جميع الأجزاء القابلة للفصل (راجع فصل "الصيانة والتنظيف").

- ثبت حشوة المفرمة (م) في التجويف الموجود حول حافة شفرة المفرمة (ن).

- أحكم تثبيت الشفرة (ن) في إبريق المفرمة (ل) بدفعها داخل في الإبريق ولها في اتجاه عقارب الساعة.

- ثبت إبريق المفرمة (ل) على قاعدة المحرك (ح)، وأحكم تثبيته بلفه عكس اتجاه عقارب الساعة.

الفحص والإصلاح

استبدال قابس التيار الرئيسي

- عند الحاجة إلى تركيب قوايس تيار رئيسية جديدة:
- تخلص من القابس القديم بأمان
- قم بتوصيل سلك التوصيل البني بالطرف الموصل من القابس الجديد
- قم بتوصيل سلك التوصيل الأزرق بالطرف المحايد
- إذا كان المنتج من الفئة ١ (مؤرضة)، قم بتوصيل سلك التوصيل الأخضر/ الأصفر بالطرف الأرضي
- تحذير! إذا كان المنتج من الفئة ٢ المعزولة عزلاً مزدوجاً (سلكان فقط في مجموعة الأسلاك)، ينبغي عدم إجراء أي توصيلات بطرف التوصيل الأرضي.
- احرص على اتباع تعليمات التركيب المرفقة بقوايس التيار عالية الجودة
- يجب أن تكون الصمامة الكهربائية البديلة من نفس جودة الصمامة الأصلية المتوفرة مع المنتج

الملصقات المثبتة على الجهاز

فيما يلي العلامات التحذيرية الموجودة على الجهاز:



تحذير! لا تقترب من الأجزاء المتحركة إلا بعد توقفها عن الحركة وسكونها تماماً.

تركيب العَصَارَة

- اغسل جميع الأجزاء القابلة للفصل (راجع فصل "الصيانة والتنظيف").
- ضع وعاء تجميع العصير (ز) على قاعدة المحرك (ح).
- ضع المنخل الدوار (و) في وعاء تجميع العصير (ز).
- تأكد من إحكام تثبيت المنخل الدوار (و) على عمود الدوران ("نقرة").
- افحص المنخل الدوار (و) دائماً قبل الاستخدام. في حال اكتشاف أي تصدع أو تلف، لا تستخدم الجهاز، واتصل بأقرب مركز خدمة أو اصطحب الجهاز معك إلى البائع.
- ضع غطاء العَصَارَة (ه) على وعاء تجميع العصير (ز).

- تحقق من عدم وجود أجزاء متضررة أو معطوبة قبل استخدام الخلاط. تحقق من عدم وجود كسور في أجزائه أو أضرار في أزراره أو أية حالات أخرى يمكن أن تؤثر في تشغيله.
- لا تستخدم الخلاط في حالة وجود تلف أو عطل في أحد أجزائه.
- لا تستخدم الجهاز في حال تلف المنخل الدوار.
- قم بإصلاح أو استبدال أية أجزاء متضررة أو معطوبة من خلال وكيل صيانة معتمد.
- يلزم فحص سلك التغذية الكهربائية قبل الاستخدام للتأكد من خلوه من علامات التلف أو القِدَم أو التآكل.
- يجب عدم استخدام الخلاط في حالة تلف سلك التغذية الكهربائية أو القابس أو وجود عيب بأي منهما.
- إذا كان سلك التغذية الكهربائي أو قابس المأخذ الكهربائي الرئيس تالفاً أو متضرراً، يتعين إصلاحه من قبل وكيل صيانة معتمد تجنباً لأية مخاطر. تجنب قطع سلك التغذية الكهربائية ومحاولة إصلاحه بنفسك.
- لا تحاول إزالة أو استبدال أية أجزاء غير تلك المحددة في هذا الدليل.

السلامة الكهربائية

تحقق قبل استخدام الجهاز من توافق جهد المأخذ الرئيس مع الجهد المحدد على لوحة التصنيف.

هذا الجهاز معزول عزلاً مزدوجاً وفقاً للمعيار EN 60335-2-14، وبالتالي لا حاجة إلى توصيل سلك أرضي.



- لتجنب مخاطر التعرض لصدمة كهربائية، يلزم تجنب غمر السلك أو القابس أو وحدة محرك الدوران في الماء أو أي سائل آخر.
- ينبغي التأكد من توافق جهد التيار الكهربائي الموضح على لوحة التصنيف للجهاز مع النظام الكهربائي المستخدم لديك. أي خطأ في التوصيل يلغي الضمان.

غرض الاستخدام

- افصل الخلاط عن مصدر التغذية الكهربائية في حالة عدم استخدامه، وقبل تركيب أو إزالة أجزائه وقبل تنظيفها.
- لا تشغل الخلاط دون مراقبة.
- لا تضع أصابعك أو أي أداة في أنبوب التغذية خلال تشغيل الجهاز. ينبغي استخدام الدافع فقط لهذا الغرض.

صُممت عَصَاة بلاك أند ديكر خصيصاً لعصر الفواكه والخضروات. وصمم الخلاط خصيصاً لخلط ومزج وسحق مكونات المأكولات والمشروبات الصلبة والسائلة. هذا المنتج صُمم خصيصاً للاستخدام المنزلي فقط.

اقرأ إرشادات الدليل كاملةً بعناية قبل استخدام الخلاط.



إرشادات السلامة

- تحذيراً ينبغي اتخاذ جميع احتياطات السلامة الأساسية لدى استخدام الأجهزة المتصلة بمصادر تغذية كهربائية، بما في ذلك المذكورة أدناه، للتقليل من خطر اندلاع النيران أو حدوث صدمات كهربائية أو إصابات شخصية.
- استخدامات الخلاط مفصلة بالكامل في هذا الدليل. إن استخدام أي من ملحقات الخلاط أو أدواته المرتبطة أو إجراء أي عملية مخالفة لتلك المذكورة في دليل الإرشادات يمكن أن ينجم عنه خطر وقوع إصابات شخصية.
- احتفظ بهذا الدليل للرجوع إليه مستقبلاً.
- لا تفتح الماسك إلا بعد إيقاف تشغيل الجهاز وسكون أية أجزاء متحركة.
- لا تلمس شفرات التقطيع الصغيرة الموجودة في قاعدة المنخل الدوار.
- احرص على إبقاء أية أقمشة حرة أو شعر طويل بعيداً عن أنبوب الإطعام أو أية أجزاء متحركة.
- توخّ الحذر في التعامل مع شفرات التقطيع الحادة ولدى تفريغ وعاء الخلط وخلال التنظيف.
- لا تغمر الخلاط أو أسلاكه الكهربائية أو قابسه في السوائل.

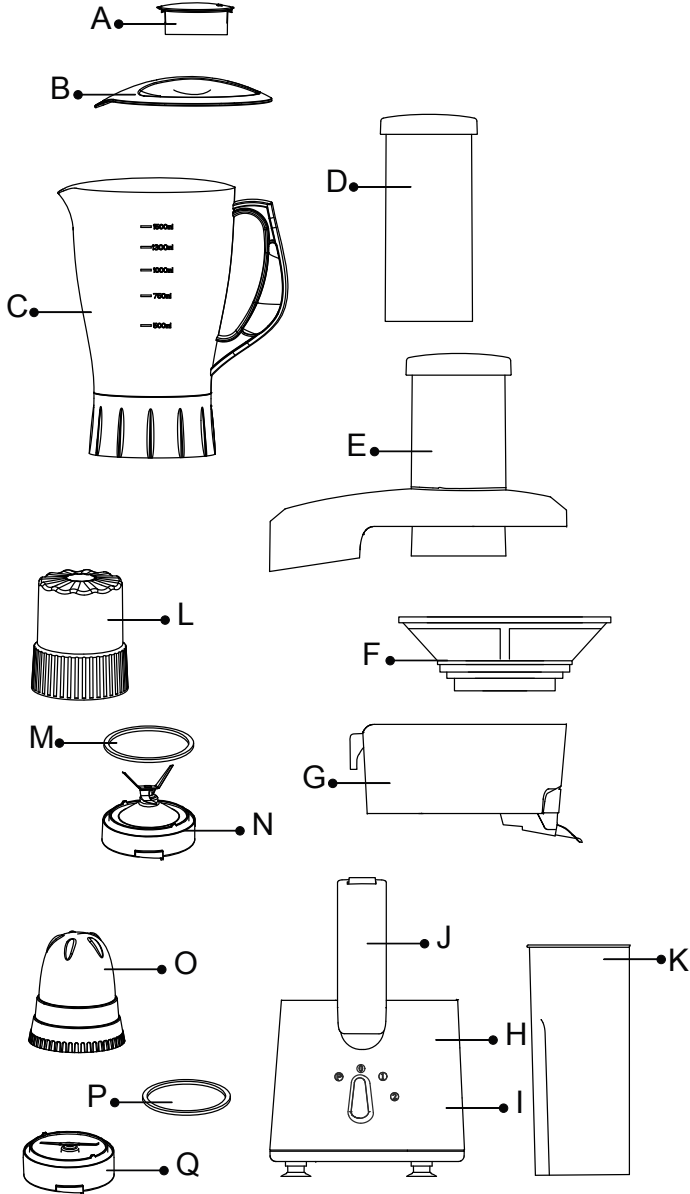
تعليمات استخدام الخلاط

- توخّ الحذر دائماً لدى استخدام الخلاط.
- لا تحاول مطلقاً سحب سلك التغذية الكهربائي لفصل القابس عن مصدر التغذية. احفظ سلك التغذية الكهربائي بعيداً عن الحرارة والزيت والحواف الحادة.
- لا تضع الخلاط فوق مصادر الحرارة أو في فرن ساخن أو بالقرب منها.
- لا تستخدم الخلاط خارج المنزل.
- حافظ دائماً على سلامة وحدة المحرك بإبعادها عن الماء أو الرطوبة الزائدة.
- في حالة تلف سلك التغذية الكهربائي أثناء الاستخدام، افصل الخلاط عن مصدر التيار الكهربائي على الفور. تجنب لمس سلك التغذية الكهربائي قبل فصله عن مصدر التغذية الكهربائية.
- هذا الجهاز غير مصمم للاستخدام من قبل الأفراد (بمن فيهم الأطفال) الذين يعانون من انخفاض قدراتهم البدنية أو العقلية أو حواسهم أو يفتقرون إلى الخبرة والمعرفة، ما لم يخضعوا للإشراف أو الإرشاد بخصوص استخدام الخلاط من قبل شخص مسؤول عن سلامتهم.
- ينبغي مراقبة الأطفال لضمان عدم عبثهم بالخلاط.

تعليمات ما بعد الاستخدام

- افصل قابس الجهاز عن مصدر التغذية الكهربائية قبل تركه، وقبل تغيير أو تنظيف أو فحص أي من أجزائه.
- ينبغي تخزين الجهاز في مكان جاف عند عدم استخدامه. وينبغي بقاء الأطفال بعيداً عن مكان حفظ الأجهزة.

تحديد الأجزاء



A. غطاء فتحة التعبئة

B. الغطاء

C. إبريق الخلط

D. الدافع

E. غطاء العَصَاة

F. المنخل الدوار

G. وعاء تجميع العصير

H. قاعدة المحرك

I. مفتاح التحكم

J. الماسك

K. وعاء تجميع اللب

L. إبريق المفرمة

M. حشوة المفرمة

N. شفرة المفرمة

O. إبريق المطحنة

P. حشوة المطحنة

Q. شفرة المطحنة

Names & Addresses for Black & Decker Service Concessionaries

ALGERIA: SARL Outillage Corporation, After Sale Service Center-08, Rue Mohamed Boudiaf - Cheraga, Algiers, Algeria, Tel: +213 21 375131, Fax: +213-0-369667. **AZERBAIJAN:** Kontakt - NN LLC, M.Qashqay 43, Baku, Azerbaijan Az1000. Tel: +994 12 4082050, Fax: +994 12 4117090. **BAHRAIN:** Alfouz Services Co. WLL., P.O. Box 26562, Tubli, Manama, Tel: +973-17783562/17879987, Fax: +973-17783479. Kewalram & Sons Co. WLL P.O. Box 84, Manama, Kingdom of Bahrain, Tel: +973-17213110/ 17210617/ 17210619, Fax: +973-17213211/ 17210627. **BANGLADESH:** Ultra Corporation, 8, Kushol Centre, Uttara, Dhaka 1200. Tel: +880-2-8922144, Fax: +880-2-8951339. **EGYPT:** Anasia Egypt for Trading S.A.E, P.O. Box 2443, 9, Mostafa Refaat Street, Sheraton Heliopolis 11361, Cairo, Tel: +202-22684159, Fax: +202-22684169. **ETHIOPIA:** Seif Sherif Trade PLC -Arada Sub City, Kebele 01-02, Global Insurance Bldg., 2nd Flr. Room 43, P.O.Box 2525, Addis Ababa, Ethiopia, Tel: 00-251-11-1563968/ 1563969, Fax: 00-251-11-1558009. **INDIA:** Gryphon Appliances Ltd., D-6/4, Okhla Industrial Area, Phase-I, New Delhi-110020, Tel: +91-11-46731111, Fax: +91-11-46731111. **JORDAN:** Bashitii Hardware, 93 King Abdullah 2nd St., Opp ELBA House, P.O. Box 3005, Tel: +962-6-5349098 ext.11, Fax: +962-6-5330731. **KENYA:** Leading Concepts, P.O. Box: 40877-00100, Nairobi, Kenya. Tel: +254 20 690 5000, Fax: +254 20 690 5111. **KUWAIT:** Al Omar Technical Co., P.O. Box 4062, Safat 13041, Kuwait, Tel: 00965-24848595/ 24840039, Fax: 00965-24845652. The Sultan Centre, P.O. Box 26567-13126 Safat, Kuwait, Tel: 00965-24343155 Etn. 432, Fax: 00965-24319071. **LEBANON:** Aces Service Centre, P.O. Box 90-102, Nahr El Mot, Seaside Highway, Pharaon Building, Beirut. Tel: 00961-1-898989, Fax: 00961-1-245880. **LIBYA:** Homeworld Co., Building No.5, Senidal St., Amr Ibn Elaas Road, Benghazi, Libya. Tel: 00218-61-9094183. Service Center1 - Benghazi: Tel: +218-061-3383994, Fax: +218-092-7640688, Service Center2 - Tripoli: Tel: +218-021-3606430, Fax: +218-092-6514813. **MALTA:** John G Cassar Ltd. 36-Victory Street, Qormi QRM 06, Malta. Tel: +356-21493251, Fax: +356-21483231. **MAURITIUS:** J.M. Goupille & Co. Ltd., Rogers Industrial Park 1, Riche Terre, Mauritius, Tel: +230 206 9450/ +230 207 1700, Fax: +230 206 9474/ +230 248 3188. **MOROCCO:** UATS 26 Rue Ennarjisse, Hay Erraihan, Beausejour - Hay Hassani-Casablanca, Morocco. Tel: +212 522945114, Fax: +212 522942442. **NEPAL:** Universal Electrocom, Tripureshwar, Kathmandu, Nepal. Tel: +977-1-4265191. **NIGERIA:** Dana Electronics Ltd. (Lagos) 116/ 120, Apapa Oshodi Express Way, Isolo, Lagos, Nigeria. Tel: +234-17431818/ +234-8037767774/ +234-8057445477. (Abuja) 18, A.E. Ekukinam Street, Off Obsfemi Awolowo Road, Utako, Abuja, Nigeria. Tel: +234-8032276101/ +234-8037767774. (Kano) 9A - Mai Malari Road, Bompai, Kano, Nigeria. Tel: +234-8053294947/ +234-8037767774. **OMAN:** Oman Marketing & Service Co. (Omasco), P.O. Box 2734, Behind Honda Showroom, Wattayah, Oman, Tel: +968-24560232/ 24560255, Fax: +968-24560993. Oman Marketing & Service Co. (Omasco), Al Ohi, Sohar, Oman, Tel: +968-26846379, Fax: +968-26846379. Oman Marketing & Service Co. (Omasco) - Sanaya, Salalah, Oman, Tel: 00968-23212290, Fax: +968-23210936. **PAKISTAN:** Ammar Service & Spares - 60-Bank Arcade, Serai Road, Karachi, Pakistan, Tel: 0092-21-32426905, Fax: 0092-21-32427214. **PHILIPPINES:** 476 J. P. Rizal St., cor Kakarong St. Brgy Olympia, Makati City, Tel: +632 403-5698. **QATAR:** Al Mufthah Service Centre - Al Wakrah Road, P.O. Box 875, Doha, Qatar. Tel: 00974-4650880/ 4650110/ 4446868, Fax: 00974-4441415/ 4662599. **SAUDI ARABIA:** (Al Khobar) Al-Suwaiket Catering & Trading Co., P.O.Box 4228, King A.Aziz Street, Al Khobar, Tel: +966-3-8591088, Fax: +966-3-8595648. Fawaz Ebrahim Al Zayani Trading Est. P.O. Box 76026, Al Khobar #31952, Tel: +966-3-8140914, Fax: +966-3-8140824. (Jeddah) Banaja Trading Co. Ltd, P.O. Box 366, Jeddah-21411, Tel: +966-2-6511111, Fax: +966-2-6503668. (Riyadh) Banaja Trading Co. Ltd, P.O. Box 566, Riyadh-11421, Tel: 00966-1-4124444, Fax: +966-1-4033378. **SOUTH AFRICA:** Trecco Power Tool Service 14 Steenbok Street, Koedoespoort, 0186, Pretoria, South Africa, Tel: +27-86-1873826, Fax: +27-86-5001771. **SRI LANKA:** Delmege Construction Products (Pvt) Ltd., No 101 Vinayalankara Mawatha, Colombo-10, Sri Lanka, Tel: +94-11-2693361-7, Service hotline: +94-77-2211111. **TUNISIA:** Société Tunisienne De Manutention - Rue de la Physique, Nouvelle Zone Industrielle de Ben Arous-2013 Tunisie, Tel: +216-71-386102/ 380620, Fax: +216-71380412 ext 216. **UGANDA:** Anisuma Investment and Services Ltd., J R complex, Ware House No.5, Plot No 101, 3rd Street Industrial Area, Jinja Road, Kampala, Tel: +256-414237106. **UAE:** (Abu Dhabi) Light House Electrical, P.O. Box 120, Abu Dhabi, Tel: +971-2-6726131, Fax: +971-2-6720667. (Al Ain) Zillion Equipment and Spare Parts Trading LLC, P.O. Box 19740, Opp. Bin Sadal/Trimix Redymix Sanaiya, Al Ain. Tel: +971-3-7216690, Fax:+971-3-7216103 (Dubai) Black & Decker (Overseas) GmbH, P.O. Box 5420, Dubai, Tel: +971-4-8127400/ 8127406, Fax: +971-4-2822765. (Musaffah) Light House Electrical, P.O. Box 120, Abu Dhabi, Tel: +971-2-5548315, Fax: +971-2-5540461. (Sharjah) Mc Coy Middle East LLC, P.O. Box 25793, Sharjah, Tel: +971-6-5395931, Fax: +971-6-5395932. (Ras Al Khaimah) Mc Coy Middle East LLC, P.O.Box 10584, Ras Al Khaimah, Tel: +971-7-2277095, Fax: +971-7-2277096. **YEMEN:** (Aden) Muala St., Tel: +967 2 222670, Fax: +967 2 222670. (Sana'a) Middle East Trad. Co. Ltd., P.O. Box 12363, Hayel Street, Sana'a. Tel: +967-1-204201, Fax: +967-1-204204. (Taiz) Middle East Trading Co. (METCO), 5th Flr.Hayel Saeed Anam Bldg, Al-Mugamma St. Taiz, Yemen, Tel: +967-4-213455, Fax: +967-4-219869.



WARRANTY REGISTRATION CARD

YOUR NAME/ الإسم

.....

YOUR ADDRESS العنوان

.....

.....

POSTCODE الرمز البريدي

DATE OF PURCHASE تاريخ الشراء

DEALER'S NAME & ADDRESS/ إسم وعنوان البائع

.....

.....

A large, empty rounded rectangular box with a thin black border, intended for the user to provide the product model number and other details.

PRODUCT MODEL NO. JBG600



Free Manuals Download Website

<http://myh66.com>

<http://usermanuals.us>

<http://www.somanuals.com>

<http://www.4manuals.cc>

<http://www.manual-lib.com>

<http://www.404manual.com>

<http://www.luxmanual.com>

<http://aubethermostatmanual.com>

Golf course search by state

<http://golfingnear.com>

Email search by domain

<http://emailbydomain.com>

Auto manuals search

<http://auto.somanuals.com>

TV manuals search

<http://tv.somanuals.com>