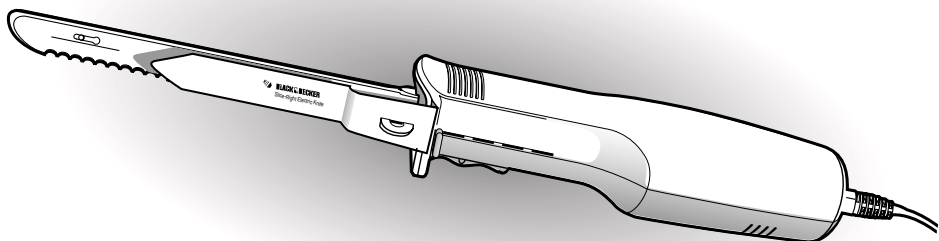




SAVE THIS USE AND CARE BOOK

Slice Right™

Electric Knife Set



U.S.A.

1-800-231-9786

<http://www.householdproductsinc.com>



MODEL EK350

IMPORTANT SAFEGUARDS

When using electrical appliances, in order to reduce the risk of fire, electric shock, and/or injury to persons, basic safety precaution should always be followed, including the following:

- **Read all instructions.**
- To protect against risk of electric shock do not immerse plug, cord, or handle in water or other liquid. Do not operate knife in water or under running water.
- Close supervision is necessary when any appliance is used by or near children.
- Turn off and unplug from outlet when not in use, before putting on or taking off parts and before cleaning. Disconnect when changing blades.
- Avoid contacting moving parts.
- Do not operate any appliance with a damaged cord or plug or after the appliance malfunctions or is dropped or damaged in any manner. Return appliance to the nearest authorized service facility for examination, electrical repair, mechanical repair or adjustment.
- The use of attachments not recommended or sold by the appliance manufacturer may cause fire, electric shock or injury.
- Do not use outdoors.
- Do not let cord hang over edge of table or counter, or touch hot surfaces including the stove.
- Make sure the operating bar safety lock is in the safety position so bar cannot be accidentally activated.
- Blades are sharp. Handle carefully. Always handle blades with hand away from the cutting edge. Always store blades with cutting edge away from you. Store out of reach of children.
- Do not operate in the presence of explosive and/or flammable fumes.
- This product is intended for household use only; not for commercial or industrial use.

SAVE THESE INSTRUCTIONS

POLARIZED PLUG

This appliance has a polarized plug — one blade is wider than the other. To reduce the risk of electric shock, this plug will fit into a polarized outlet only one way. If the plug does not fit fully into the outlet, reverse it. If it still does not fit, contact a qualified electrician. Do not attempt to defeat this safety feature by modifying the plug in any way.

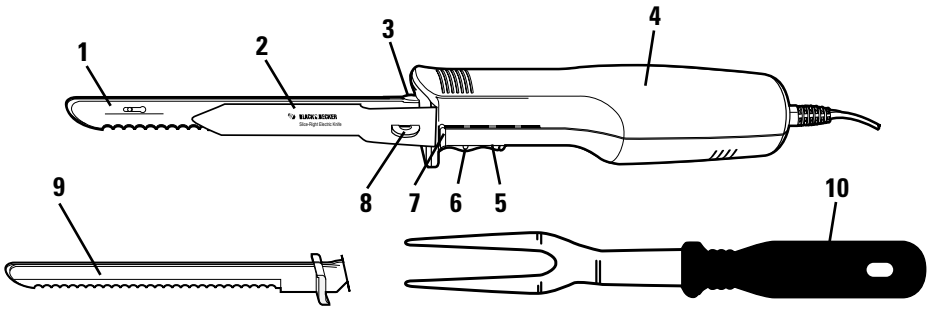
ELECTRICAL CORD

The cord length of this knife was selected to reduce safety hazards that may occur with a longer cord. If more cord length is needed, an extension cord with a polarized plug may be used. It should be rated not less than 10 amperes, 120 Volts, and have Underwriters Laboratories listing. Handle cord carefully for longer life; avoid jerking or straining it at outlet and appliance connections.

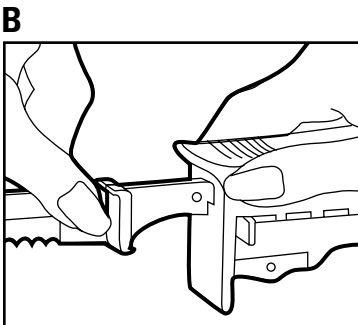
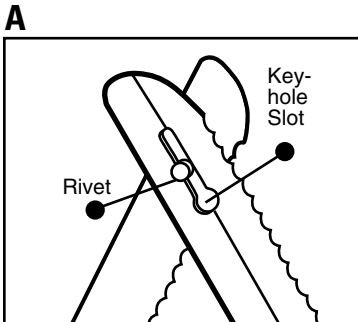
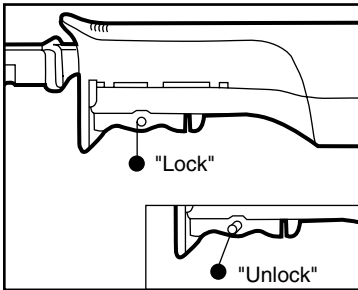
1 9" Slicing/Carving Blade
2 Cutting Guide
3 Grease Guards

4 Handle
5 Operating Bar
6 Safety Lock Button
7 Blade Release Buttons

8 Tab
9 6" Paring Blade
10 Fork



How To Use



C

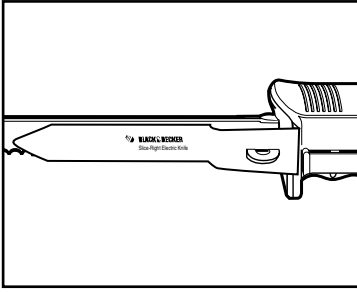
IMPORTANT: Unplug and be sure the Safety Button is in the "Lock" position before inserting or removing Blades. In this position, the Operating Bar cannot be pressed in even when the Knife is plugged in. (A).

1. Before first use, separate the Blades and wash them in hot, sudsy water or in a dishwasher. Rinse and dry thoroughly. Slip the Rivet at the top of one blade into the Keyhole Slot on the other. (B).
2. For either the 9" or 6" Blades, align the two Blades making sure the tips remain locked. Insert into the Handle by gripping the blades on the flat area in front of the Grease Guards with the cutting (serrated) edge facing down AWAY from you. (C) The Blades will "click" into place. Plug the cord into a standard electrical outlet. Position the food to be sliced on a cutting board.
3. Release the Safety Lock by pushing the Button to the opposite side of the Operating Bar marked "Unlock." (Inset A) Press the Bar and guide the Knife Blades downward through the food.

CAUTION: NEVER place your hand over the blade to support it while operating this knife. The Blades slide back and forth for cutting.

4. To use the Cutting Guide, slip the runners of the Guide through the holes at the side of the Knife. (D). The Guide can be positioned on either side for right or left-handed use. Push in or pull out to adjust the thickness of sliced breads or meats.
5. To remove the Cutting Guide, grasp the Tab at the side of the Guide and pull out.
6. To remove the Blades, press the Blade Release Buttons on both sides of the Handle. Grasp the Blades on the flat area in front of the Grease Guards and pull away from the Handle.

Cleaning & Storage



D

1. Before cleaning any part of the Electric Knife, move the Safety Button to the "Lock" position, unplug the cord, and remove the Blades. Dry all parts thoroughly before next use.
2. Knife Blades, the Fork, and the Cutting Guide may be washed in hot, sudsy water or in a dishwasher.
3. The Knife Handle and cord may be cleaned with a damp cloth. **DO NOT** use any abrasive cleanser or material to clean any part of the Knife as it may harm the finish.

4. For convenient storage, slip the plastic sleeve over each knife blade before storing. Place all parts in the handy storage case.

SERVICE OR REPAIR

Service, if necessary, must be performed by a Black & Decker Company-Owned or Authorized Household Appliance Service Center. The Service Center nearest you can be found in the yellow pages of your phone book under "Appliances-Small," or call the toll-free number on the cover of this manual.

If mailing or shipping your Knife, pack it carefully in its original carton or any sturdy carton with enough packing material to prevent damage. Include a note describing the problem to our Service Center and be sure to give your return address and phone number. We also suggest that you insure the package for your protection.

FULL ONE-YEAR WARRANTY

Household Products, Inc. warrants this product against any defects that are due to faulty material or workmanship for a one-year period after the original date of consumer purchase. This warranty does not include damage to the product resulting from accident or misuse. If the product should become defective within the warranty period, we will repair it or elect to replace it free of charge. We will return your product, transportation charges prepaid, provided it is delivered prepaid to any Black & Decker Company-Owned or Authorized Household Appliance Service Center.

This warranty gives you specific legal rights and you may also have other rights which vary from state to state or province to province. Answers to any questions regarding warranty or service may be obtained by calling Consumer Assistance & Information toll free: 1-800-231-9786.

Listed by Underwriters Laboratories, Inc.
Copyright © 1991-1999 Household Products, Inc.
Pub. No. 175171-00-RV00
Product made in People's Republic of China
Printed in People's Republic of China

Free Manuals Download Website

<http://myh66.com>

<http://usermanuals.us>

<http://www.somanuals.com>

<http://www.4manuals.cc>

<http://www.manual-lib.com>

<http://www.404manual.com>

<http://www.luxmanual.com>

<http://aubethermostatmanual.com>

Golf course search by state

<http://golfingnear.com>

Email search by domain

<http://emailbydomain.com>

Auto manuals search

<http://auto.somanuals.com>

TV manuals search

<http://tv.somanuals.com>